



Table of Contents

5HP24 Transmission Overview (North American Applications)	
Make / Model / Model Year	2
5HP24 Technical Information	
Torque, Gear Ratio & Weight	3
Transmission Oil Reference Guide	3
5HP24 Lubrications	3
5HP24 Technical Literature	3
5HP24 General Transmission Oil Filling Procedure	4
5HP24 Spare Parts	
How To Use This Catalog	6
Gearbox Housing Group	7
Input Group	10
Oil Sump Group	11
Oil Supply Group	12
Output Group	13
Converter Group	15
Parking Lock Group	16
Brake Group	17
Planetary Drive Groups	18
Clutch Pack Groups	20
5HP24 Valve Body	
Duct Plate Group	27
Valve Housing Groups	29
5HP24 Selective Shims, Snap Rings & Kit Content	
5HP24 Selective Shims & Snap Rings	35
5HP24 Kit Content	38
Miscellaneous	
Quotation / Order Form	41
Notes	42



5HP24 Transmission Overview (North American Applications)

Make / Model / Model Year – BMW (A5S 440Z)

Make	Model	Style	Model Year	From – Up to	Code	OE Part #	ZF Part #
BMW	540i	E39 Sedan (M60)	1997 – 1998	01/97 – 09/98	TB	24 00 1 423 192	1058 000 016
			1998 –	09/98 –	TE	24 00 1 423 302	1058 000 021
			1998 –	09/98 –	TF	24 00 1 423 304	1058 000 022
BMW	540i	E39 Touring (M60)	1998 –		TF	24 00 1 423 304	1058 000 022
BMW	740i	E38 Sedan (M62)	1997 – 1998	01/97 – 09/98	TB	24 00 1 423 192	1058 000 016
			1998 – 2001	09/98 –	TE	24 00 1 423 302	1058 000 021
			1998 – 2001	09/98 –	TF	24 00 1 423 304	1058 000 022
BMW	740iL	E38 Sedan (M62)	1997 – 1998	01/97 – 09/98	TB	24 00 1 423 192	1058 000 016
			1998 – 2001	09/98 –	TE	24 00 1 423 302	1058 000 021
			1998 – 2001	09/98 –	TF	24 00 1 423 304	1058 000 022
BMW	840Ci	E31 Coupe	1996 – 1997		PD	24 00 1 422 200	1058 000 005
BMW	X5 4.4i	E53 SAV	1998 –		UP	24 00 1 423 949	1058 000 029
BMW	X5 4.6is	E53 SAV	2001 –		UK	24 00 7 512 587	1058 000 034

Make / Model / Model Year – Jaguar

Make	Model	Engine	Model Year	OE Part #	ZF Part #
Jaguar	XK8	V8 – 4.0 Liter	1997	NJA4400AF	1058 000 009
			1997	NJA4400AG	1058 000 013
			1998	NJB4400AB	1058 000 015
			1998	NJB4400BA	1058 000 024
			1999	NNE4400AA	1058 000 026
			1999	NNE4400CA	1058 000 027
Jaguar	XJ8	V8 – 3.2 Liter	1997 – 1998	NJA4400BD	1058 000 014
			1998 – 2002	NNE4400BA	1058 000 028
Jaguar	XJ8	V8 – 4.0 Liter	1998	NJB4400AB	1058 000 015
			1998	NJB4400BA	1058 000 024
			1999	NNE4400AA	1058 000 026
			1999	NNE4400CA	1058 000 027

Make / Model / Model Year – Land Rover

Make	Model	Engine	Model Year	OE Part #	ZF Part #
Land Rover	Range Rover	V8 – 4.4 liter	2003 –	TGD000190	1058 000 032

Note: This spare parts catalog includes only transmission specification numbers for North American applications. For all other 5HP24 transmission specification numbers, please contact your preferred ZF passenger car transmission distributor for more information about available spare parts and kits.

Type Plate: Located on the main housing of transmission. Please refer to ZF transmission specification # when searching for spare parts and kits in this catalog (last three digits).



- ← Transmission Serial #
- ← ZF Transmission Specification #
- ← Vehicle Manufacturer Transmission #



5HP24 Technical Information

Torque, Gear Ratio & Weight

Input Torque	1 st Gear	2 nd Gear	3 rd Gear	4 th Gear	5 th Gear	Rev Gear	Weight (approximate)	Oil Capacity (approximate)
420 Nm	3.57	2.20	1.51	1.00	0.80	4.10	~95 kg (209 lbs.)	~9.9 liter (10.5 quart)

Transmission Oil Reference Guide

Make	Oil Grade	Type Plate (color)	ZF Part #	OE Part #
BMW	ESSO LT 71141	Green	1058 000 005	24 00 1 422 200
			1058 000 016	24 00 1 423 192
			1058 000 021	24 00 1 423 302
			1058 000 022	24 00 1 423 304
			1058 000 029	24 00 1 423 949
			1058 000 034	24 00 7 512 587
Jaguar	ESSO LT 71141	Green	1058 000 009	NJA4400AF
			1058 000 013	NJA4400AG
			1058 000 014	NJA4400BD
			1058 000 015	NJB4400AB
			1058 000 024	NJB4400BA
			1058 000 026	NNE4400AA
			1058 000 027	NNE4400CA
			1058 000 028	NNE4400BA
Land Rover	ESSO LT 71141	Green	1058 000 032	TGD000190

5HP24 Lubrications

Amount	ZF Part #	Description	Where used (1058 000 ____)	Notes
20 Liter	0671 090 166	Oil ESSO LT 71141 (Canister)	All	
205 Liter	0671 090 169	Oil ESSO LT 71141 (Drum)	All	

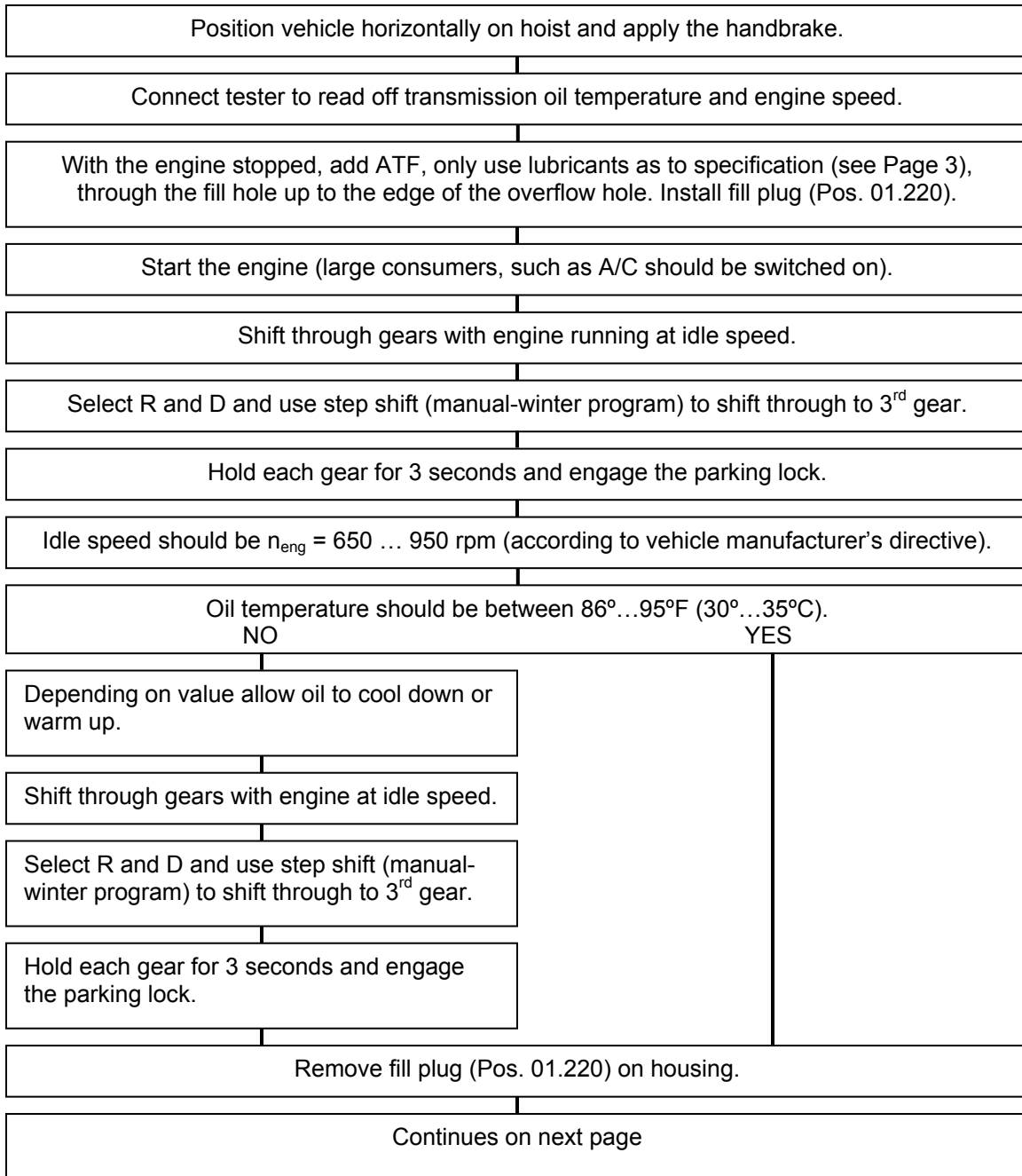
5HP24 Technical Literature

Language	ZF Part #	Description	Where used (1058 000 ____)	Notes
English	5HP24FD	5HP24 Functional Description	All	
English	5HP24REP	5HP24 Repair Manual	All	
Eng/Ger	1058 764 001	5HP24 Wall Chart	All	
English	5HPVBMAN	5-Speed Valve Body Manual	All	



5HP24 Technical Information (continued)

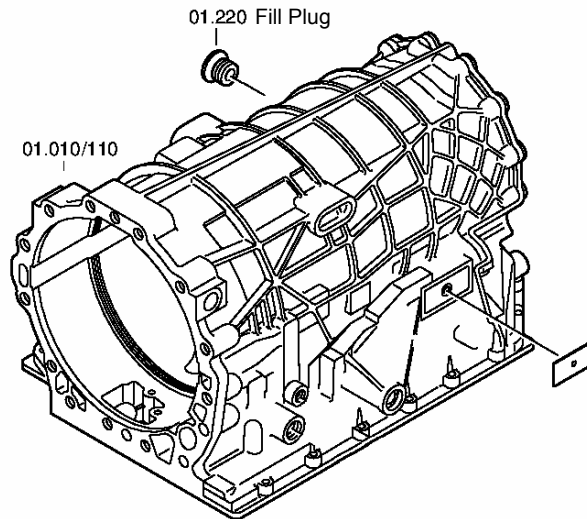
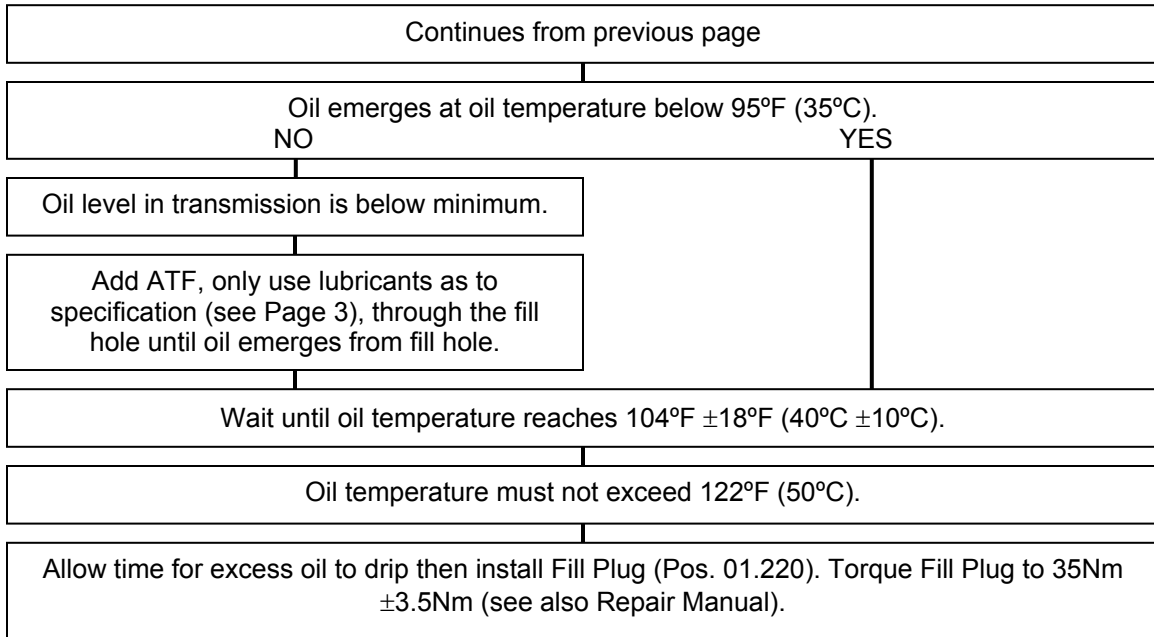
5HP24 General Transmission Oil Filling Procedure





5HP24 Technical Information (continued)

5HP24 General Transmission Oil Filling Procedure (continued)





How To Use This Catalog

Table of Contents

Each transmission group of this catalog is listed in the table of contents. This spare parts catalog includes only transmission specification numbers for North American applications.

Technical Information

All technical information is specific to the transmission models that are referenced in this catalog. Weight and oil capacity information are only approximate and may vary by actual transmission specification. For any technical inquiry, please contact your preferred ZF passenger car transmission distributor for assistance. For a list of technical literature available from ZF or for answers to frequently asked questions about ZF transmissions visit us at www.zf-group.com.

Spare Parts

Each transmission is divided into groups (e.g. gearbox housing group). The position number (**Pos #**) is used to identify the location of each spare part in the transmission. A position number like 01.010 is either a spare part or an assembly. A position number like 01.010/110 is a subcomponent of an assembly. Please contact your preferred ZF passenger car transmission distributor about availability of assemblies and subcomponents.

The part number (**ZF part #**) is used to identify a specific spare part and is usually ten-digits (kits, lubricants, and technical literature have exceptions). Please use this part number, when ordering ZF spare parts.

The description (**Description**) identifies the spare part.

The quantity (**Qty**) is the amount of spare parts included in one transmission model for a certain position number. The quantity may vary depending on the transmission specification and certain spare parts may be used in multiple positions in the transmission.

This catalog includes only spare parts for North American specifications of a ZF transmission application. The “where used” column (**Where used (10_ 000 __)**) shows the last three digits of the transmission specification that uses the listed spare part. If the column indicates “All”, then all North American transmission specification use this spare part.

The notes column (**Notes**) gives more information about the spare part (e.g. included in a kit).

Example:

Pos #	ZF Part #	Description	Qty	Where used (1056 000 __)	Notes
01.010	1056 201 084	Gearbox Housing	1	087/088	
	1056 201 087	Gearbox Housing	1	081	
01.010/110	1056 301 174	Gearbox Housing	1	087/088	
	1056 301 175	Gearbox Housing	1	081	

Selective Shims, Snap Rings & Kit Content

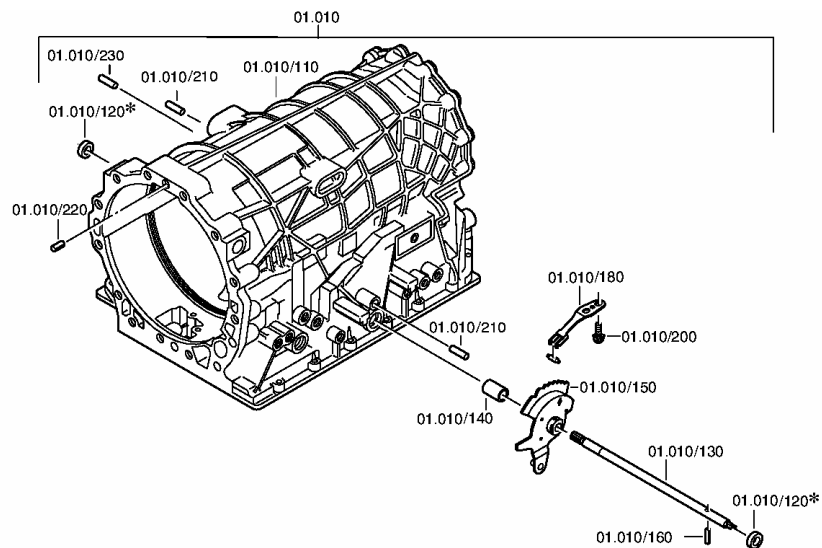
Each list for selective shims or snap rings is listed in this section of the catalog. Please measure the clearance according to the repair manual and select the required spare part from the table.

The kit content section shows all available kits for the transmission models that are referenced in this catalog, including the content of each kit.



5HP24 Spare Parts - Gearbox Housing Group

Pos #	ZF Part #	Description	Qty	Where used (1058 000 ___)	Notes
01.010	1058 201 034	Gearbox Housing	1	016/021/022	
	1058 201 058	Gearbox Housing	1	009/013/014/015/024/ 026/027/028	
	1058 201 064	Gearbox Housing	1	005	
	1058 201 102	Gearbox Housing	1	029/034	
	1058 201 107	Gearbox Housing	1	032	
01.010/110	1058 301 081	Gearbox Housing	1	016/021/022	
	1058 301 082	Gearbox Housing	1	005	
	1058 301 083	Gearbox Housing	1	009/013/014/015/024/ 026/027/028	
	1058 301 123	Gearbox Housing	1	032	
	1058 301 129	Gearbox Housing	1	029/034	
01.010/120	0734 319 623	Shaft Seal	1	016/021/022	* Available in kit 1058 298 022
	0734 319 623	Shaft Seal	2	005/014/015/024/026/ 027/028/029/032/034	* Available in kit 1058 298 022
01.010/130	1058 306 017	Selector Shaft	1	005/029/034	
	1058 306 019	Selector Shaft	1	016/021/022	
	1058 306 027	Selector Shaft	1	009/013/014/015/024/ 026/027/028	
	1058 306 045	Selector Shaft	1	032	
01.010/140	1056 306 004	Pipe	1	005/009/013/014/015/ 024/026/027/028/029/ 032/034	
01.010/150	1058 206 017	Detent Disc	1	All	
01.010/160	0501 320 396	Clamping Sleeve	1	All	
01.010/180	1058 206 018	Detent Disc	1	All	
01.010/200	0736 101 240	Torx Screw M6x13	2	All	
01.010/210	0631 306 058	Cylindrical Pin	1	005/016/021/022/029/ 032/034	
01.010/220	0631 330 154	Slotted Pin	1	All	
01.010/230	0631 306 058	Cylindrical Pin	1	009/013/014/015/024/ 026/027/028	

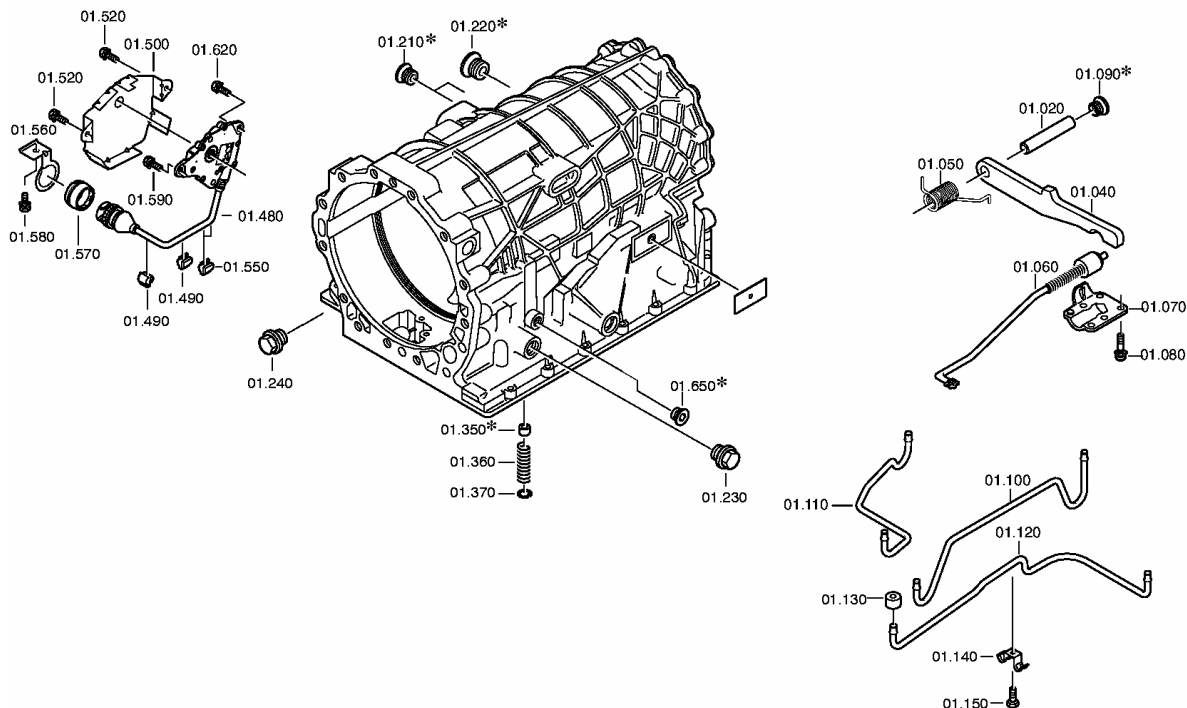


Note: Parts marked with * are only available in kits.



5HP24 Spare Parts - Gearbox Housing Group (continued)

Pos #	ZF Part #	Description	Qty	Where used (1058 000 ___)	Notes
01.020	1056 324 018	Pin	1	All	
01.040	1056 324 011	Pawl	1	All	
01.050	1058 324 005	Leg Spring	1	All	
01.060	1058 224 012	Connecting Bar	1	All	
01.070	1056 324 016	Guiding Plate	1	All	
01.080	0736 101 318	Torx Screw M6x20	4	All	
01.090	0636 308 015	Screw Plug M12x1.5	1	All	* Available in kit 1058 298 022
01.100	1058 301 020	Oil Tube	1	All	
01.110	1058 301 021	Oil Tube	1	All	
01.120	1058 301 071	Oil Tube	1	All	
01.130	1058 301 019	Plug	1	All	
01.140	1058 301 070	Bracket	1	All	
01.150	0736 101 233	Torx Screw M6x15	1	All	
01.210	0636 308 017	Screw Plug M14x1.5	2	All	* Available in kit 1058 298 022
01.220	0636 308 025	Screw Plug M18x1.5	1	All	* Available in kit 1058 298 022
01.230	0637 900 082	Plug	1	All	
01.240	0637 900 082	Plug	1	All	
01.350	0734 317 227	Sealing Sleeve	2	All	* Available in kit 1058 298 022
01.360	0732 041 085	Compression Spring	2	All	

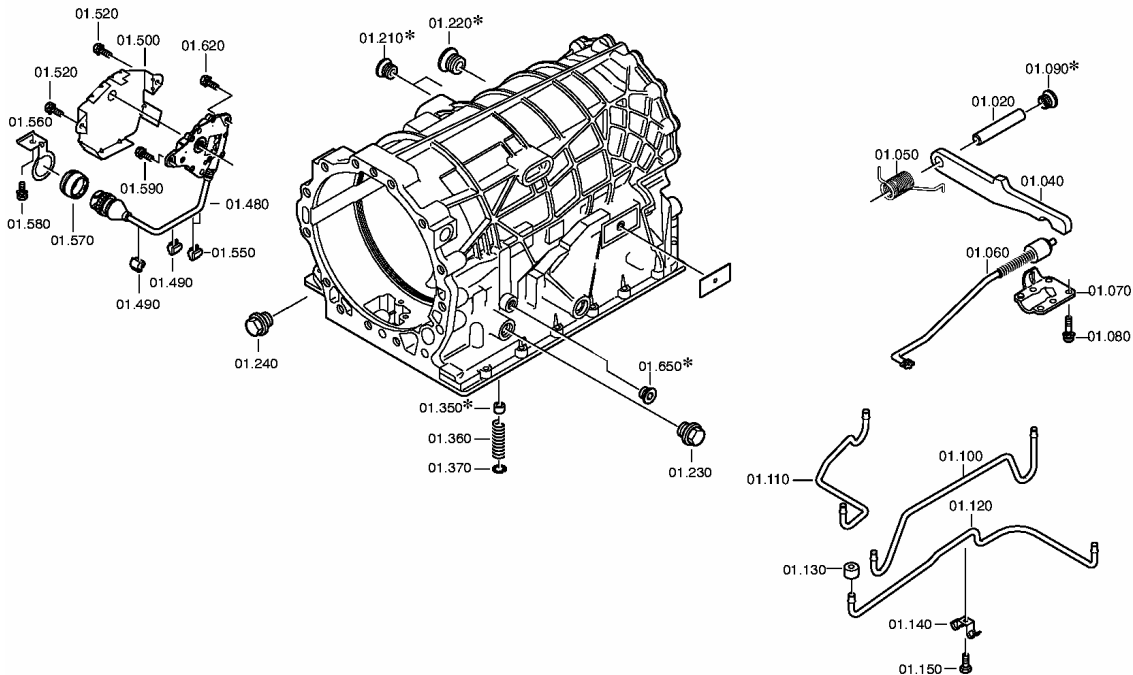


Note: Parts marked with * are only available in kits.



5HP24 Spare Parts - Gearbox Housing Group (continued)

Pos #	ZF Part #	Description	Qty	Where used (1058 000 ___)	Notes
01.370	0630 502 078	Retaining Ring	2	All	
01.480	0501 210 238	Switch	1	005	
	0501 211 566	Switch	1	009/013/014/015/024/ 026/027/028	
	0501 319 142	Position Switch	1	016/021/022/029/034	
	0501 319 191	Switch	1	032	
01.490	0501 315 033	Terminal	2	005/029/034	
	0501 315 033	Terminal	3	016/021/022	
	0501 315 431	Terminal	1	032	
01.500	1058 301 072	Screen Sheet	1	005/029/032/034	
01.520	0636 015 360	Hexagon Screw M6x20	2	009/013/014/015/024/ 026/027/028	
	0636 025 078	Hexagon Screw M6x15	2	005/029/032/034	
01.550	0501 313 993	Cable Terminal	2	009/013/014/015/024/ 026/027/028/032	
01.560	1058 301 050	Bracket	1	016/021/022/029/034	
	1058 301 145	Bracket	1	032	
01.570	0501 315 137	Bracket	1	016/021/022/029/032/ 034	
	1058 301 050	Bracket	1	005	
01.580	0636 015 360	Hexagon Screw M6x20	1	005/016/021/022/029/ 032/034	
01.590	0636 015 360	Hexagon Screw M6x20	1	005/016/021/022/029/ 032/034	
01.620	0636 015 360	Hexagon Screw M6x20	1	005/016/021/022/029/ 032/034	
01.650	0501 315 118	Screw Plug M10x1	1	All	* Available in kit 1058 298 022

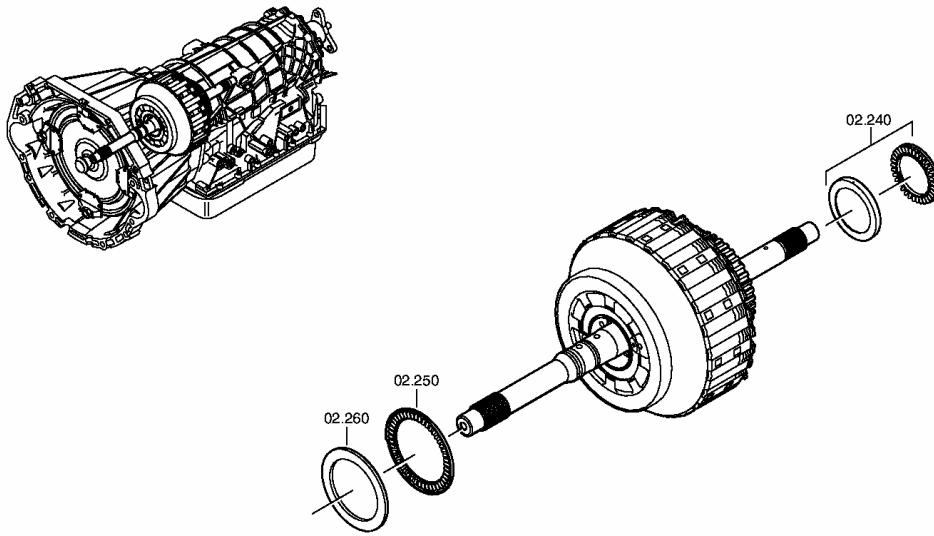


Note: Parts marked with * are only available in kits.



5HP24 Spare Parts - Input Group

Pos #	ZF Part #	Description	Qty	Where used (1058 000 ____)	Notes
02.240	1058 202 016	Bearing Set	1	All	
02.250	0735 368 067	Axial Needle Bearing	1	All	
02.260	See Page 35	Intermediate Plate Shim	1	All	Selective Shim

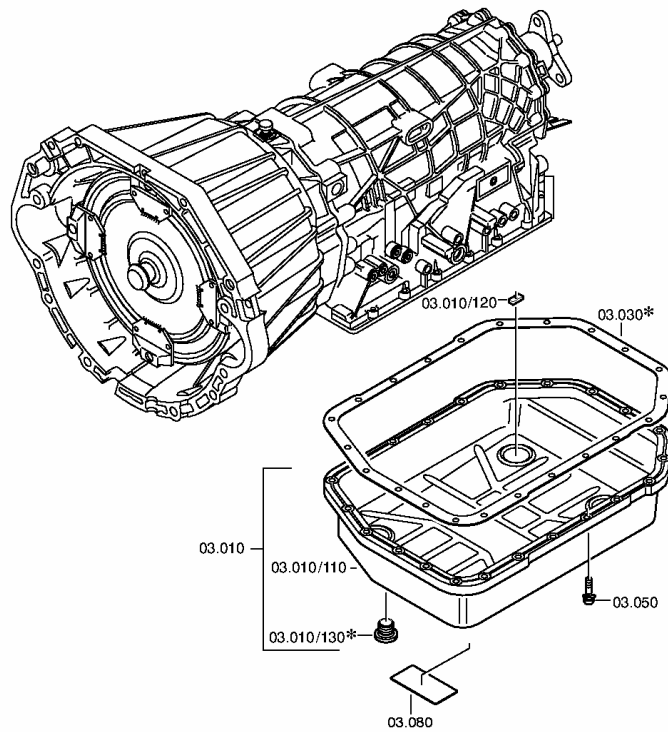


Note: Parts marked with * are only available in kits.



5HP24 Spare Parts – Oil Sump Group

Pos #	ZF Part #	Description	Qty	Where used (1058 000 ___)	Notes
03.010	1058 203 015	Oil Sump	1	All	
03.010/110	1058 203 013	Oil Sump	1	All	
03.010/120	1043 301 036	Magnet	4	All	
03.010/130	0636 308 026	Screw Plug M16x1.5	1	All	* Available in kit 1058 298 022 * Available in kit 5HP24FK
03.030	0501 314 899	Gasket	1	All	* Available in kit 1058 298 022 * Available in kit 5HP24FK
03.050	0736 101 318	Torx Screw M6x22	22	All	
03.080	0501 315 814	Stick-On Label	1	005/016/021/022/029/ 032/034	

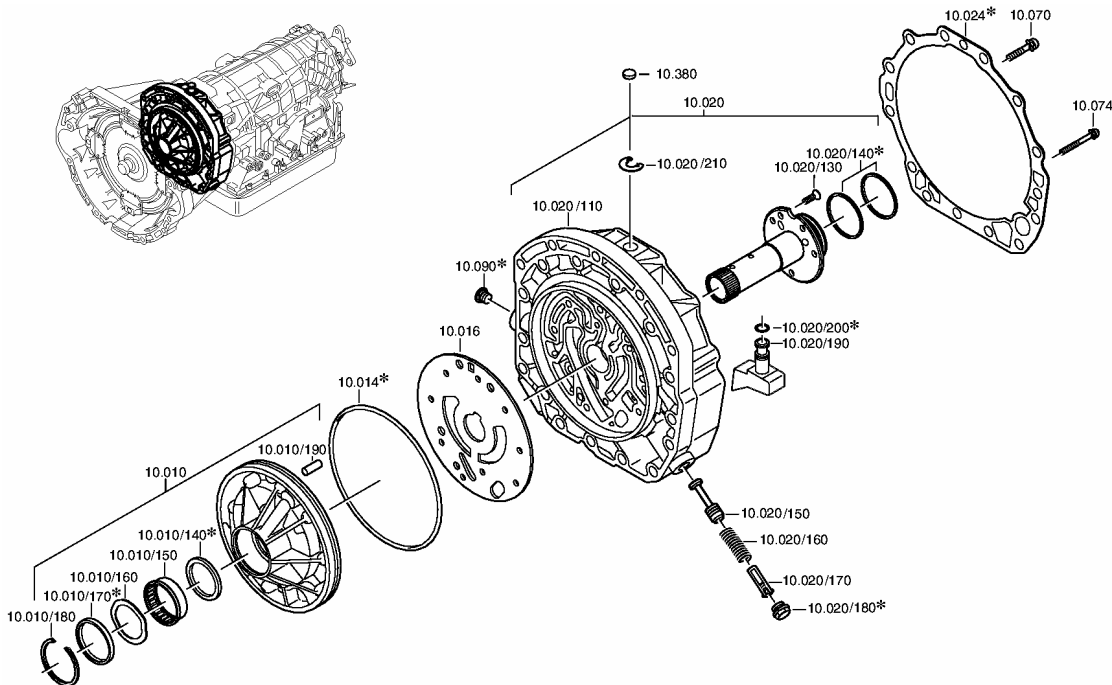


Note: Parts marked with * are only available in kits.



5HP24 Spare Parts - Oil Supply Group

Pos #	ZF Part #	Description	Qty	Where used (1058 000 ___)	Notes
10.010	1058 210 061	Pump	1	All	
10.010/140	1055 310 039	Sealing Ring	1	All	* Available in kit 1058 298 022
10.010/150	0735 298 136	Needle Bearing	1	All	
10.010/160	0501 316 234	Washer	1	All	
10.010/170	0750 111 254	Shaft Seal	1	All	* Available in kit 1058 298 022
10.010/180	0730 513 545	Snap Ring	1	All	
10.010/190	1043 319 058	Sleeve	1	All	
10.014	0734 313 178	O-Ring	1	All	* Available in kit 1058 298 022
10.016	1058 310 074	Intermediate Sheet	1	All	
10.020	1058 210 072	Intermediate Plate	1	All	
10.020/110	1058 310 081	Intermediate Sheet	1	All	
10.020/130	0736 101 105	Counters. Screw M6x15	5	All	
10.020/140	0734 401 248	Piston Ring	2	All	* Available in kit 1058 298 022
10.020/150	1058 310 076	Piston	1	All	
10.020/160	0732 042 580	Compression Spring	1	All	
10.020/170	1060 310 030	Sleeve	1	All	
10.020/180	0501 315 119	Screw Plug M22x1.5	1	All	* Available in kit 1058 298 022
10.020/190	0501 210 179	Breather	1	All	
10.020/200	0734 313 182	O-Ring	1	All	* Available in kit 1058 298 022
10.020/210	0501 308 675	Locking Washer	1	All	
10.024	0501 315 821	Gasket	1	All	* Available in kit 1058 298 022
10.070	0736 101 357	Torx Screw M6x35	9	All	
10.074	0736 101 060	Torx Screw M5x50	1	All	
10.090	0636 308 017	Screw Plug M14x1.5	1	All	* Available in kit 1058 298 022
10.380	1043 325 007	Breather Cover	1	All	

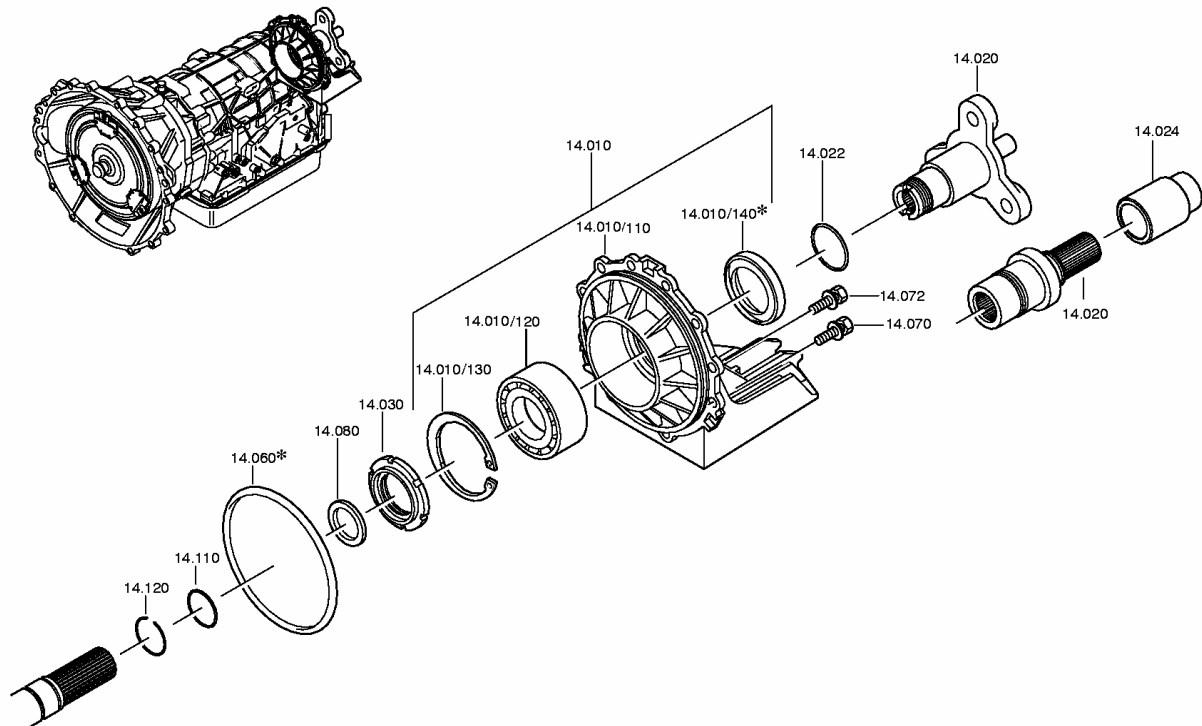


Note: Parts marked with * are only available in kits.



5HP24 Spare Parts – Output Group

Pos #	ZF Part #	Description	Qty	Where used (1058 000 ___)	Notes
14.010	1058 214 013	Extension	1	009/013/014/015/024/ 026/027/028	
	1058 214 014	Extension	1	005/016/021/022	
	1058 214 025	Extension	1	029/034	
14.010/110	1058 314 007	Extension	1	005/016/021/022	
	1058 314 014	Extension	1	009/013/014/015/024/ 026/027/028	
	1058 314 027	Extension	1	029/034	
14.010/120	0635 332 156	Ball Bearing	1	029/034	
	0735 340 153	Ball Bearing	1	005/009/013/014/015/ 016/021/022/024/026/ 027/028	
14.010/130	0630 502 104	Retaining Ring	1	All (except 032)	
14.010/140	0750 111 243	Shaft Seal	1	All (except 032)	* Available in kit 1058 298 022
14.020	1058 314 009	Output Flange	1	009/013/014/015/024/ 026/027/028	
	1058 314 011	Output Flange	1	005/016/021/022	
	1058 314 025	Adapter	1	029/034	
14.022	0734 313 157	O-Ring	1	029/034	
14.024	0637 900 123	Protecting Cap	1	029/034	

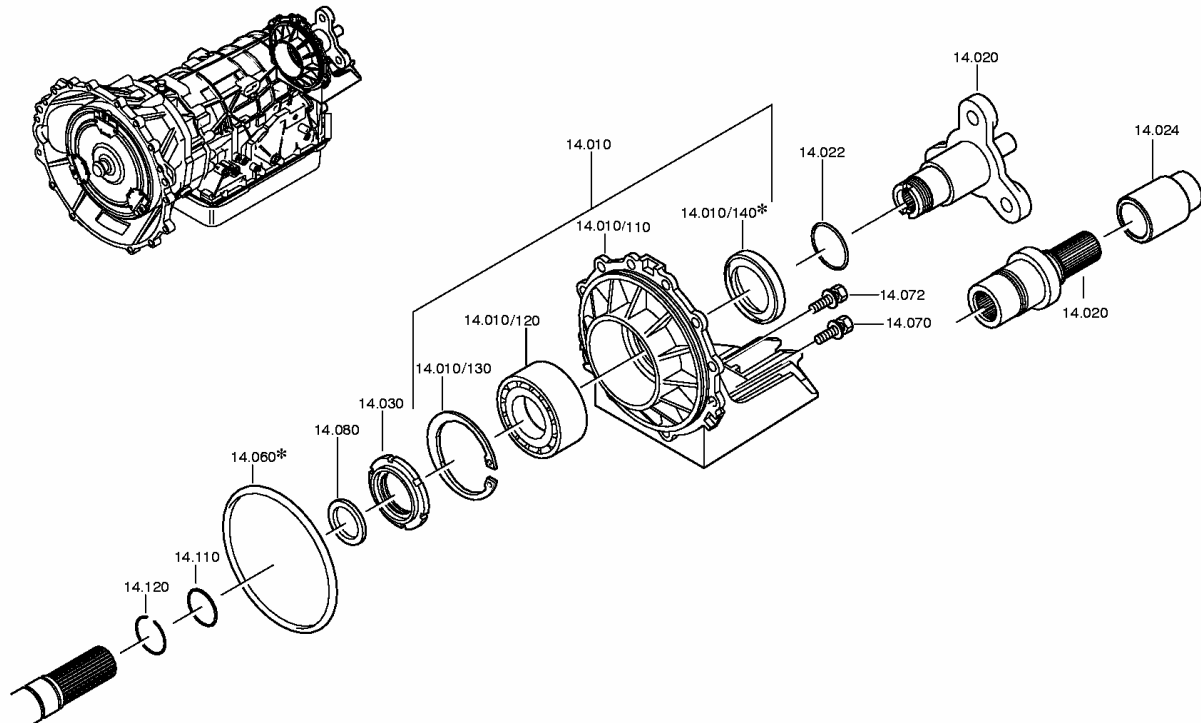


Note: Parts marked with * are only available in kits.



5HP24 Spare Parts – Output Group (continued)

Pos #	ZF Part #	Description	Qty	Where used (1058 000 ___)	Notes
14.030	0630 531 057	Retaining Ring	1	029/034	
	0737 502 175	Slotted Nut M45x1.5	1	005/009/013/014/015/ 016/021/022/024/026/ 027/028	
14.040	1058 214 028	Cover	1	032	
14.040/110	1058 314 031	Cover	1	032	
14.040/120	0735 368 083	Axial Needle Bearing	1	032	
14.040/140	0734 319 520	Shaft Seal	1	032	
14.060	0734 313 097	O-Ring	1	All	* Available in kit 1058 298 022
14.070	0636 024 008	Hexagon Screw M8x25	6	009/013/014/015/024/ 026/027/028	
	0636 024 008	Hexagon Screw M8x25	10	005/016/021/022	
	0736 101 118	Torx Screw M8x35	10	029/034	
	0736 101 194	Torx Screw M6x25	4	032	
14.072	0636 024 510	Hexagon Screw M8x35	4	009/013/014/015/024/ 026/027/028	
14.080	See Page 35	Output Shim	1	All (except 032)	Selective Shim
	See Page 35	Output Shim	1	032	Selective Shim
14.110	0734 313 181	O-Ring	1	032	
14.120	0501 317 775	Snap Ring	1	032	

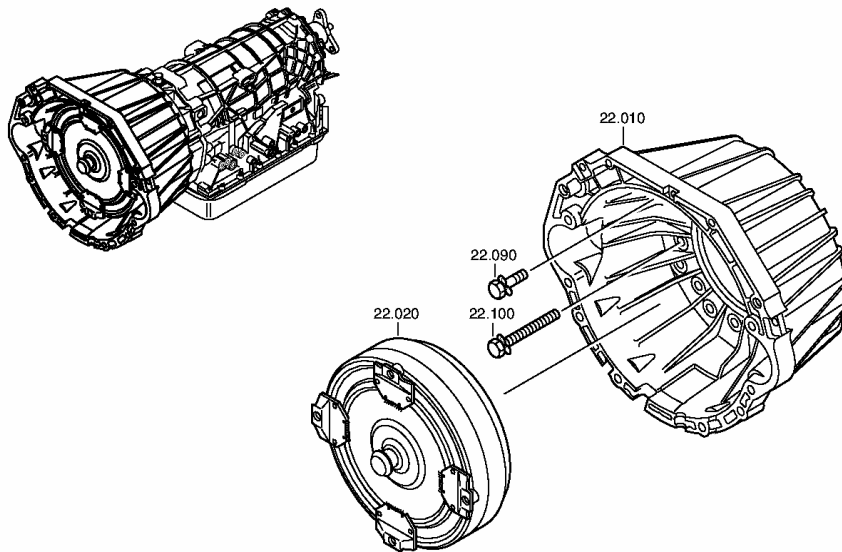


Note: Parts marked with * are only available in kits.



5HP24 Spare Parts – Converter Group

Pos #	ZF Part #	Description	Qty	Where used (1058 000 ___)	Notes
22.010	1058 322 009	Converter Bell	1	009/013/014/015/024/ 026/027/028	
	1058 322 011	Converter Bell	1	005/016/021/022/029	
	1058 322 016	Converter Bell	1	032	
	1058 322 020	Converter Bell	1	034	
22.020	4168 026 376	Torque Converter L31	1	005/016	
	4168 026 380	Torque Converter P32	1	014/024	
	4168 026 381	Torque Converter Q32	1	009/013/015	
	4168 026 388	Torque Converter J35	1	027/028	
	4168 026 389	Torque Converter K35	1	026	
	4168 026 392	Torque Converter N35	1	021	
	4168 026 396	Torque Converter L35	1	022	
	4168 026 399	Torque Converter F38	1	029/032	
	4168 028 299	Torque Converter L51	1	034	
22.090	0636 025 038	Hexagon Screw M10x35	6	All	
22.100	0636 024 036	Hexagon Screw M10x90	14	All	

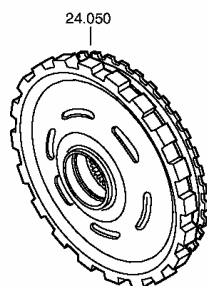
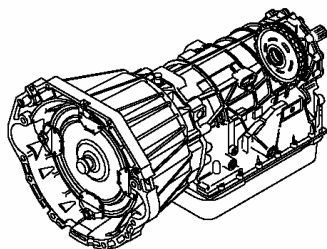


Note: Parts marked with * are only available in kits.



5HP24 Spare Parts – Parking Lock Group

Pos #	ZF Part #	Description	Qty	Where used (1058 000 ____)	Notes
24.050	1058 224 013	Parking Lock Wheel	1	All (except 032)	
	1058 224 020	Parking Lock Wheel	1	032	

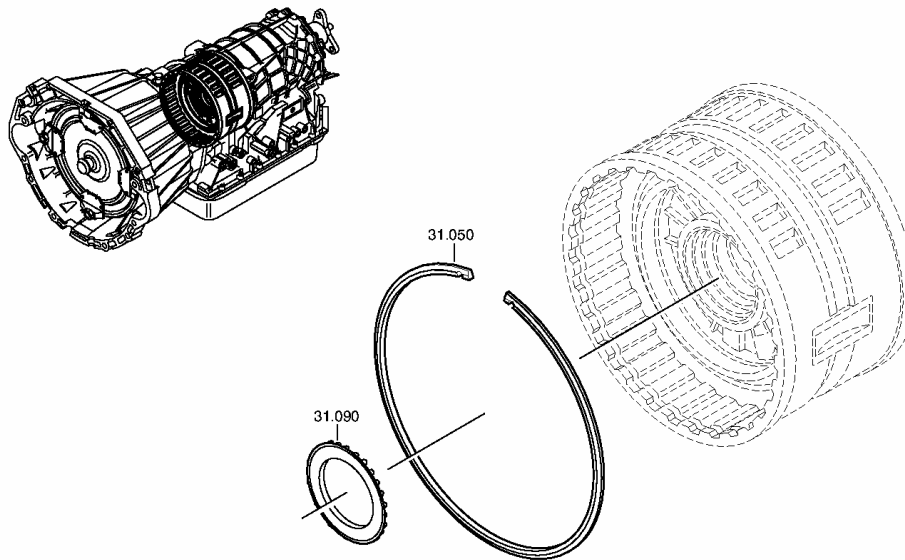


Note: Parts marked with * are only available in kits.



5HP24 Spare Parts – Brake Group

Pos #	ZF Part #	Description	Qty	Where used (1058 000 ___)	Notes
31.050	1058 373 023	Snap Ring	1	All	
31.090	0735 368 074	Axial Needle Bearing	1	All	

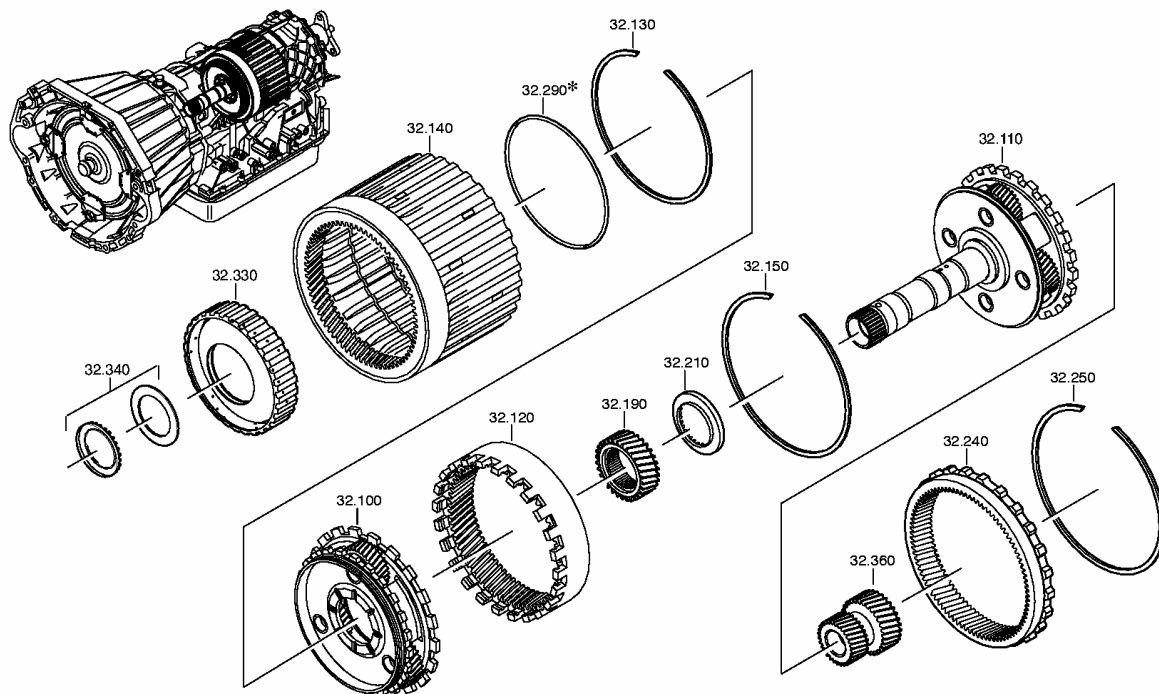


Note: Parts marked with * are only available in kits.



5HP24 Spare Parts – Planetary Drive Groups

Pos #	ZF Part #	Description	Qty	Where used (1058 000 ___)	Notes
32.100	1058 232 077	Planet Carrier	1	All	
32.110	1058 232 098	Planet Carrier	1	All	
32.120	1058 332 068	Ring Gear	1	All	
32.130	1058 332 069	Snap Ring	1	All	
32.140	1058 232 058	Ring Gear	1	All	
32.150	1058 332 021	Snap Ring	1	All	
32.190	1058 332 007	Sun Gear	1	All	
32.210	0735 368 064	Axial Needle Bearing	1	All	
32.240	1058 332 054	Ring Gear	1	All	
32.250	1058 332 021	Snap Ring	1	All	
32.290	0734 313 137	O-Ring	1	All	* Available in kit 1058 298 022
32.330	1058 375 019	Disc Carrier	1	All	
32.340	1058 274 001	Bearing Set	1	All	
32.360	1058 332 076	Sun Gear	1	All	

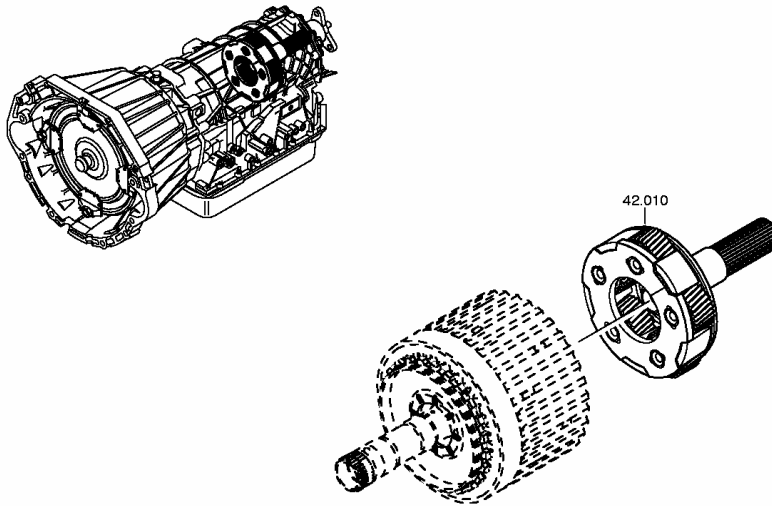


Note: Parts marked with * are only available in kits.



5HP24 Spare Parts – Planetary Drive Groups (continued)

Pos #	ZF Part #	Description	Qty	Where used (1058 000 ____)	Notes
42.010	1058 242 011	Planet Carrier	1	All (except 032)	
	1058 242 012	Planet Carrier	1	032	

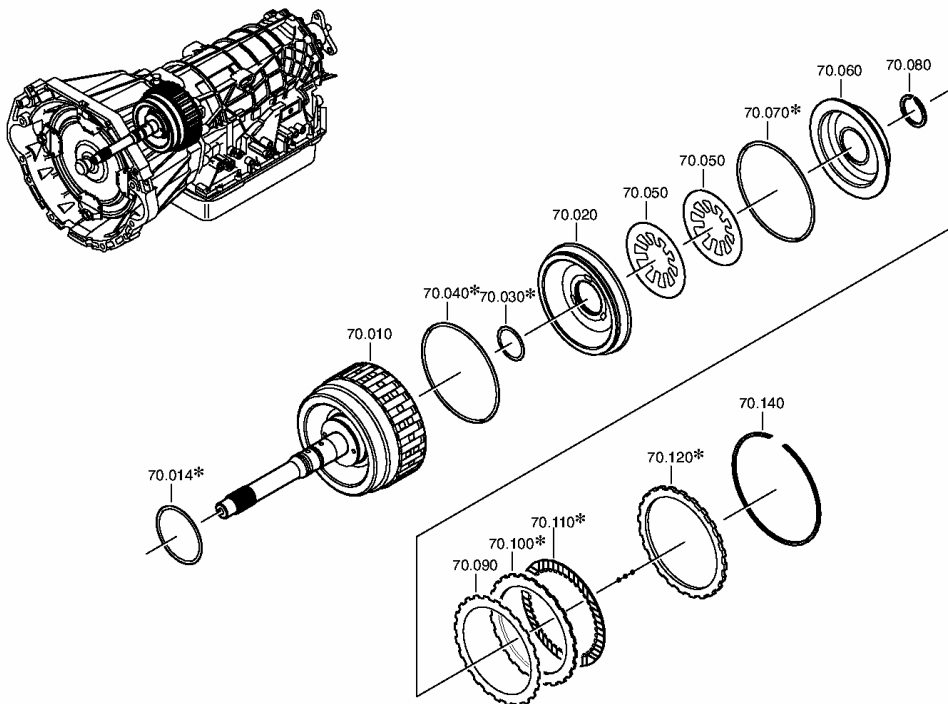


Note: Parts marked with * are only available in kits.



5HP24 Spare Parts – Clutch Pack Groups

Pos #	ZF Part #	Description	Qty	Where used (1058 000 ___)	Notes
70.010	1058 270 036	Input Shaft	1	All	
70.014	0734 313 151	O-Ring	1	All	* Available in kit 1058 298 022
70.020	1058 370 059	Piston	1	005/009/013/014/015/ 016/024	
	1058 370 101	Piston	1	021/022/026/027/028/ 029/032/034	
70.030	0734 313 148	O-Ring	1	All	* Available in kit 1058 298 022
70.040	0734 313 163	O-Ring	1	All	* Available in kit 1058 298 022
70.050	0501 315 117	Cup Spring	1	005/009/013/014/015/ 016/024	
	0501 315 117	Cup Spring	2	021/022/026/027/028/ 029/032/034	
70.060	1058 370 022	Oil Dam	1	All	
70.070	0734 313 163	O-Ring	1	All	* Available in kit 1058 298 022
70.080	0730 513 920	Snap Ring	1	All	
70.090	0501 315 746	Undulated Spring	1	005/009/013/014/015/ 016/024	
	0501 316 760	Undulated Spring	1	021/022/026/027/028/ 029/032/034	
70.100	1058 370 053	Steel Plate A	6	005/009	* Available in kit 1058 298 016
	1058 370 066	Steel Plate A	6	All (except 005/009)	* Available in kit 1058 298 017
70.110	1058 270 020	Friction Plate A	6	005/009	* Available in kit 1058 298 014
	1058 270 028	Friction Plate A	6	All (except 005/009)	* Available in kit 1058 298 015
70.120	1058 370 057	End Plate	1	All	* Available in kit 1058 298 016 * Available in kit 1058 298 017
70.140	See Page 36	Clutch A Snap Ring	1	All	Selective Snap Ring

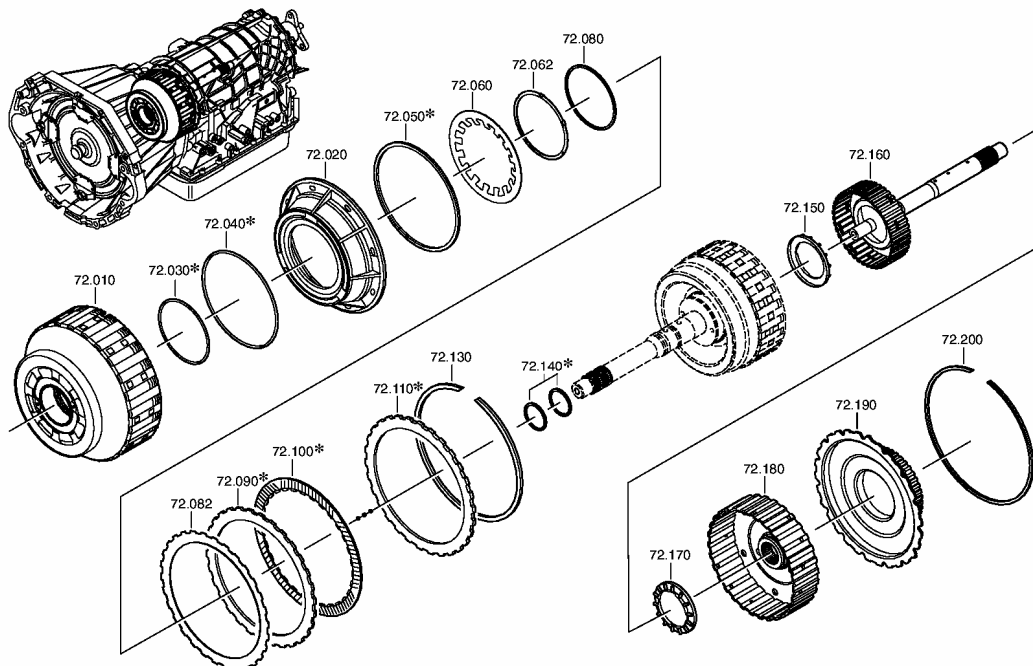


Note: Parts marked with * are only available in kits.



5HP24 Spare Parts – Clutch Pack Groups (continued)

Pos #	ZF Part #	Description	Qty	Where used (1058 000 ___)	Notes
72.010	1058 271 042	Cylinder B	1	All	
72.020	1058 371 039	Piston	1	All	
72.030	0734 313 175	O-Ring	1	All	* Available in kit 1058 298 022
72.040	0734 313 007	O-Ring	1	All	* Available in kit 1058 298 022
72.050	0501 315 073	Sealing Ring	1	All	* Available in kit 1058 298 022
72.060	0501 315 320	Cup Spring	1	All	
72.062	1058 371 044	Fixing Washer	1	All	
72.080	1058 371 010	Snap Ring	1	All	
72.082	0501 316 282	Undulated Spring	1	005/009/013/014/015/ 016/024	
	0501 316 761	Undulated Spring	1	021/022/026/027/028/ 029/032/034	
72.090	1058 370 050	Steel Plate B	6	005/009	* Available in kit 1058 298 016
	1058 370 073	Steel Plate B	6	All (except 005/009)	* Available in kit 1058 298 017
72.100	1058 270 025	Friction Plate B	6	005/009	* Available in kit 1058 298 014
	1058 270 029	Friction Plate B	6	All (except 005/009)	* Available in kit 1058 298 015
72.110	1058 370 049	End Plate B	1	005/009	* Available in kit 1058 298 016
	1058 370 076	End Plate B	1	All (except 005/009)	* Available in kit 1058 298 017
72.130	See Page 36	Clutch B Snap Ring	1	All	Selective Snap Ring
72.140	0734 317 256	Piston Ring	2	All	* Available in kit 1058 298 022
72.150	0735 368 078	Axial Needle Bearing	1	All	
72.160	1058 202 015	Intermediate Shaft	1	All	
72.170	0735 368 079	Axial Needle Bearing	1	All	
72.180	1058 271 041	Disc Carrier	1	All	
72.190	1058 272 015	Disc Carrier	1	All	
72.200	1058 371 011	Snap Ring	1	All	

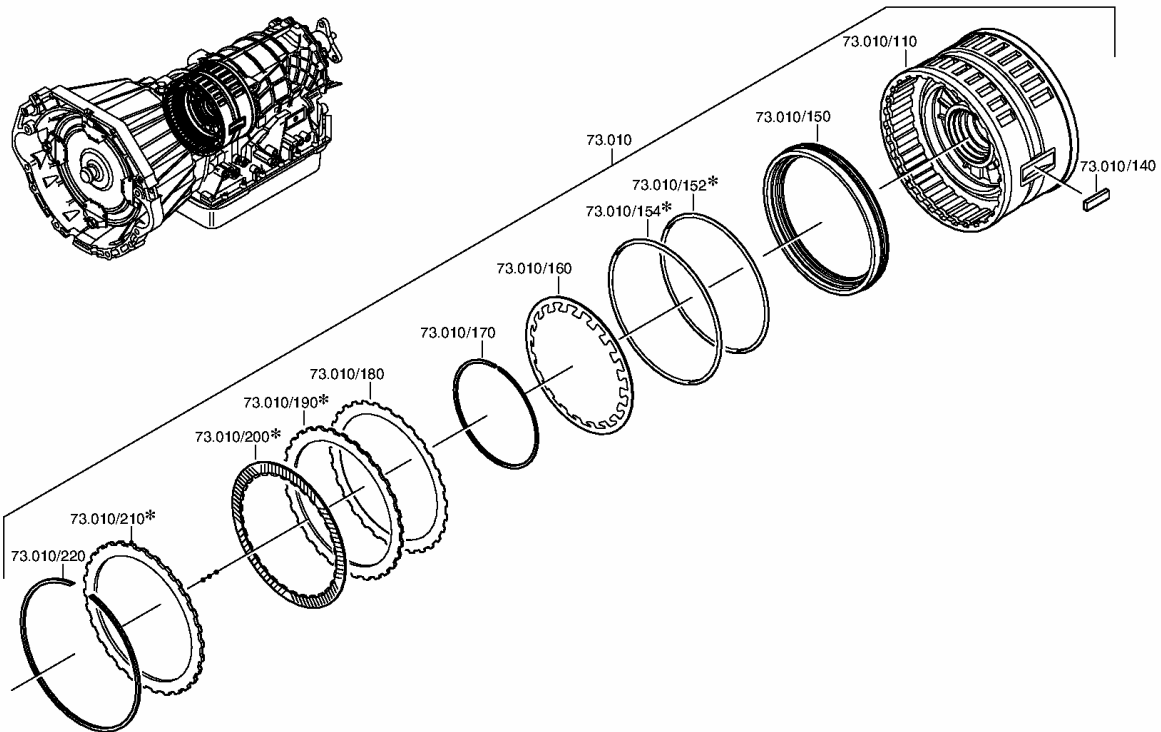


Note: Parts marked with * are only available in kits.



5HP24 Spare Parts – Clutch Pack Groups (continued)

Pos #	ZF Part #	Description	Qty	Where used (1058 000 ___)	Notes
73.010	1058 273 025	Cylinder D	1	005/009	
	1058 273 031	Cylinder D	1	014	
	1058 273 032	Cylinder D	1	013/015/016/024	
	1058 273 035	Cylinder D	1	021/022/026/027/029/ 032	
	1058 273 036	Cylinder D	1	028	
	1058 273 040	Cylinder D	1	034	
73.010/110	1058 273 028	Cylinder D	1	005/009/013/015/016/ 024	
	1058 273 029	Cylinder D	1	014	
	1058 273 033	Cylinder D	1	021/022/026/027/029/ 032	
	1058 273 034	Cylinder D	1	028	
	1058 273 039	Cylinder D	1	034	
73.010/140	0301 317 016	Fitting Key	2	All	
73.010/150	1058 373 039	Piston	1	All (except 034)	
	1058 373 052	Piston	1	034	
73.010/152	0734 313 169	O-Ring	1	All	* Available in kit 1058 298 022
73.010/154	0734 313 180	O-Ring	1	All	* Available in kit 1058 298 022

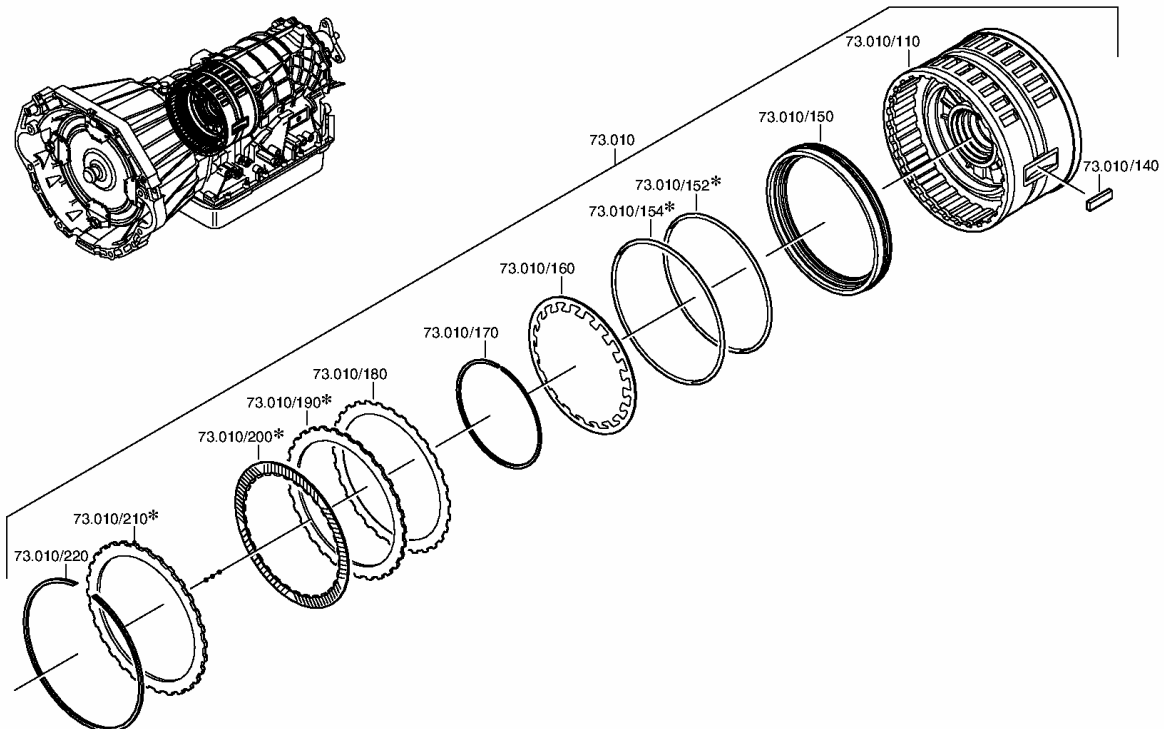


Note: Parts marked with * are only available in kits.



5HP24 Spare Parts – Clutch Pack Groups (continued)

Pos #	ZF Part #	Description	Qty	Where used (1058 000 ___)	Notes
73.010/160	0501 315 494	Cup Spring	1	All	
73.010/170	1058 373 003	Snap Ring	1	All	
73.010/180	0501 316 282	Undulated Spring	1	005/009/013/014/015/ 016/024 021/022/026/027/028/ 029/032/034	
	0501 316 761	Undulated Spring	1		
73.010/190	1058 370 050	Steel Plate D	4	005/009	* Available in kit 1058 298 016
	1058 370 073	Steel Plate D	3	014/028	* Available in kit 1058 298 017
	1058 370 073	Steel Plate D	4	013/015/016/021/022/ 024/026/027/029/032	* Available in kit 1058 298 017
	1058 370 073	Steel Plate D	5	034	* Available in kit 1058 298 017
73.010/200	1058 270 025	Friction Plate D	4	005/009	* Available in kit 1058 298 014
	1058 270 029	Friction Plate D	3	014/028	* Available in kit 1058 298 015
	1058 270 029	Friction Plate D	4	013/015/016/021/022/ 024/026/027/029/032	* Available in kit 1058 298 015
	1058 270 029	Friction Plate D	5	034	* Available in kit 1058 298 015
73.010/210	1058 370 049	End Plate D	1	005/009	* Available in kit 1058 298 016
73.010/210	1058 370 076	End Plate D	1	013/014/015/016/021/ 022/024/026/027/028/ 029/032/034	* Available in kit 1058 298 017
73.010/220	See Page 36	Clutch D Snap Ring	1	All	Selective Snap Ring

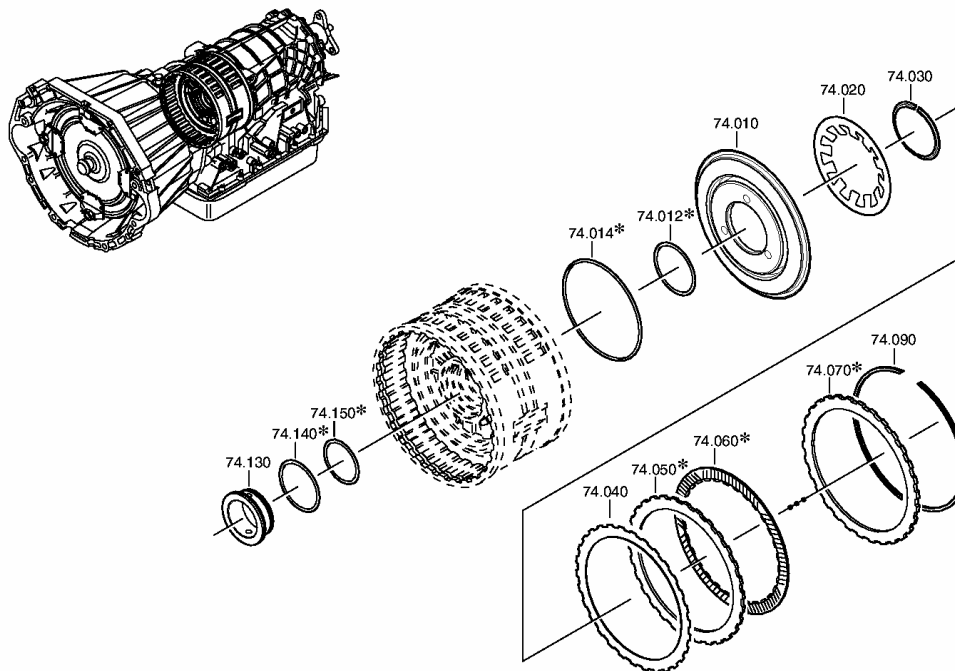


Note: Parts marked with * are only available in kits.



5HP24 Spare Parts – Clutch Pack Groups (continued)

Pos #	ZF Part #	Description	Qty	Where used (1058 000 ___)	Notes
74.010	1058 375 020	Piston	1	All	
74.012	0734 313 149	O-Ring	1	All	* Available in kit 1058 298 022
74.014	0734 313 007	O-Ring	1	All	* Available in kit 1058 298 022
74.020	0501 314 708	Cup Spring	1	All	
74.030	1058 375 002	Split Ring	1	All	
74.040	0501 316 761	Undulated Spring	1	021/022/026/027/028/ 029/032/034	
74.050	1058 370 050	Steel Plate E	5	005/009	* Available in kit 1058 298 016
	1058 370 073	Steel Plate E	4	014/028	* Available in kit 1058 298 017
	1058 370 073	Steel Plate E	5	013/015/016/021/022/ 024/026/027/029/032/ 034	* Available in kit 1058 298 017
74.060	1058 270 025	Friction Plate E	5	005/009	* Available in kit 1058 298 014
	1058 270 029	Friction Plate E	4	014/028	* Available in kit 1058 298 015
	1058 270 029	Friction Plate E	5	013/015/016/021/022/ 024/026/027/029/032/ 034	* Available in kit 1058 298 015
74.070	1058 370 049	End Plate E	1	005/009	* Available in kit 1058 298 016
	1058 370 076	End Plate E	1	All (except 005/009)	* Available in kit 1058 298 017
74.090	See Page 36	Clutch E Snap Ring	1	All	Selective Snap Ring
74.130	1058 373 040	Support Bush	1	All	
74.140	0734 313 198	O-Ring	1	All	* Available in kit 1058 298 022
74.150	0734 313 151	O-Ring	1	All	* Available in kit 1058 298 022

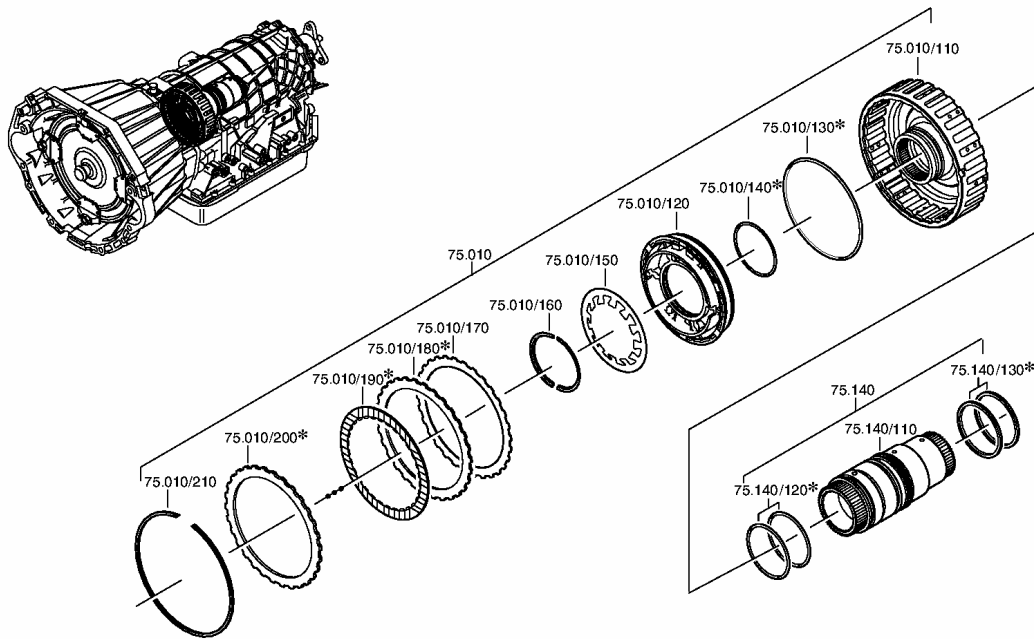


Note: Parts marked with * are only available in kits.



5HP24 Spare Parts – Clutch Pack Groups (continued)

Pos #	ZF Part #	Description	Qty	Where used (1058 000 ___)	Notes
75.010	1058 275 005	Cylinder C	1	005/009	
	1058 275 008	Cylinder C	1	013/014/015/016/024	
	1058 275 009	Cylinder C	1	021/022/026/027/028/ 029/032/034	
75.010/110	1058 372 019	Cylinder C	1	All	
75.010/120	1058 275 002	Piston	1	All	
75.010/130	0734 313 014	O-Ring	1	All	* Available in kit 1058 298 022
75.010/140	0734 313 025	O-Ring	1	All	* Available in kit 1058 298 022
75.010/150	0501 314 424	Cup Spring	1	All	
75.010/160	1055 376 025	Split Ring	1	All	
75.010/170	0501 315 746	Undulated Spring	1	005/009/013/014/015/ 016/024	
	0501 316 760	Undulated Spring	1	021/022/026/027/028/ 029/032/034	
75.010/180	1058 370 053	Steel Plate C	4	005/009	* Available in kit 1058 298 016
	1058 370 066	Steel Plate C	4	All (except 005/009)	* Available in kit 1058 298 017
75.010/190	1058 270 020	Friction Plate C	4	005/009	* Available in kit 1058 298 014
	1058 270 028	Friction Plate C	4	All (except 005/009)	* Available in kit 1058 298 015
75.010/200	1058 370 052	End Plate C	1	005/009	* Available in kit 1058 298 016
	1058 370 067	End Plate C	1	All (except 005/009)	* Available in kit 1058 298 017
75.010/210	See Page 36	Clutch C Snap Ring	1	All	Selective Snap Ring
75.140	1058 275 007	Sun Gear Shaft	1	All	
75.140/110	1058 202 014	Sun Gear Shaft	1	All	
75.140/120	0301 302 040	O-Ring	2	All	* Available in kit 1058 298 022
75.140/130	0734 317 279	Sealing Ring	2	All	* Available in kit 1058 298 022

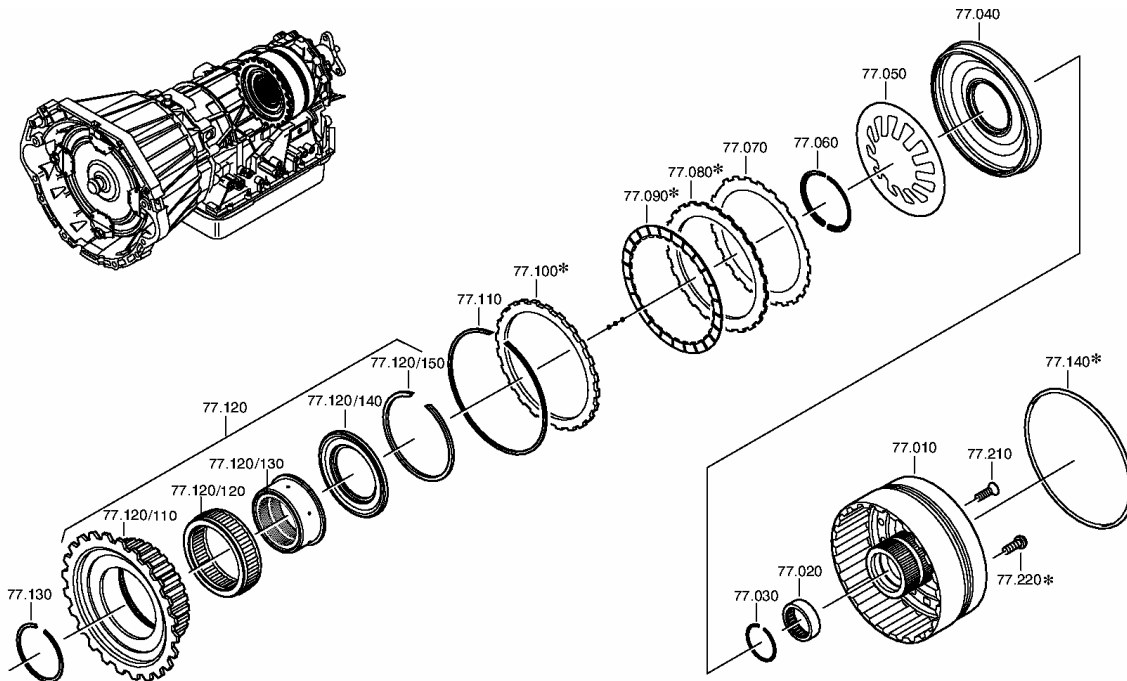


Note: Parts marked with * are only available in kits.



5HP24 Spare Parts – Clutch Pack Groups (continued)

Pos #	ZF Part #	Description	Qty	Where used (1058 000 ___)	Notes
77.010	1058 277 001	Cylinder F	1	All	
77.020	0635 303 058	Needle Sleeve	1	All	
77.030	0630 513 037	Snap Ring	1	All	
77.040	0501 212 967	Piston	1	All	
77.050	0501 313 573	Cup Spring	1	All	
77.060	1055 376 025	Split Ring	1	All	
77.070	1055 370 088	Spring Clutch Disc	1	All	
77.080	1055 374 024	Steel Plate F	6	005/009	* Available in kit 1058 298 016
	1055 374 030	Steel Plate F	6	All (except 005/009)	* Available in kit 1058 298 017
77.090	1055 270 069	Friction Plate F	6	005/009	* Available in kit 1058 298 014
	1055 270 072	Friction Plate F	6	All (except 005/009)	* Available in kit 1058 298 015
77.100	1055 376 052	End Plate F	1	005/009	* Available in kit 1058 298 016
	1055 376 054	End Plate F	1	All (except 005/009)	* Available in kit 1058 298 017
77.110	See Page 37	Clutch F Snap Ring	1	All	Selective Snap Ring
77.120	1058 277 006	Free Wheel	1	All	
77.120/110	1058 276 019	Free Wheel Ring	1	All	
77.120/120	0501 209 988	Free Wheel	1	All	
77.120/130	1055 376 037	Free Wheel Ring	1	All	
77.120/140	1055 376 039	Fixing Washer	1	All	
77.120/150	1055 376 034	Snap Ring	1	All	
77.130	0630 503 028	Snap Ring	1	All	
77.140	0734 313 096	O-Ring	1	All	* Available in kit 1058 298 022
77.210	0736 401 071	Counters. Screw M8x24	12	All	



Note: Parts marked with * are only available in kits.



5HP24 Valve Body – Duct Plate Group

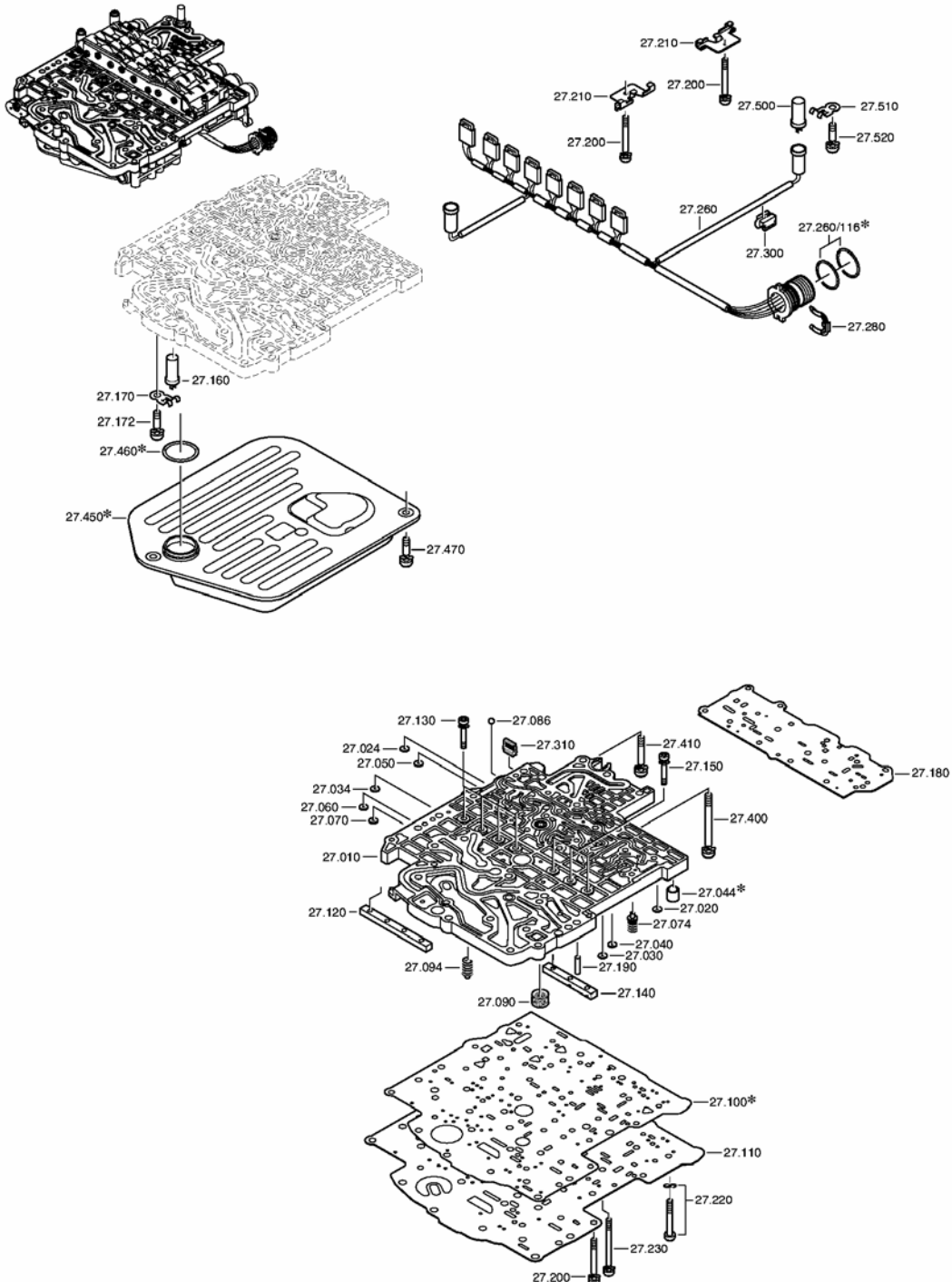
Pos #	ZF Part #	Description	Qty	Where used (1058 000 ____)	Notes
27.010	1058 327 085	Duct Plate	1	All	
27.020	1056 327 019	Valve Orifice D=1.0	1	All	
27.024	1056 327 079	Valve Orifice D=2.2	1	All	
27.030	1056 327 094	Valve Orifice D=1.4	1	All	
27.034	1056 327 021	Valve Orifice D=1.5	1	All	
27.040	1056 327 020	Valve Orifice D=1.2	1	All	
27.044	0501 314 645	Rubber Part	1	All	* Available in kit 1058 298 022
	1068 227 039	Piston	1	All	* Available in kit 1058 298 022
27.050	1056 327 019	Valve Orifice D=1.0	1	All	
27.060	1056 327 094	Valve Orifice D=1.4	1	All	
27.070	1056 327 019	Valve Orifice D=1.0	1	All	
27.074	1060 227 019	Valve	1	021/022/026/027/028/ 029/032/034	
27.086	1043 326 037	Ball	1	All	
27.090	0501 313 177	Screen	1	All	
27.094	1060 227 019	Valve	1	All	
27.100	1058 327 045	Gasket	1	All	* Available in kit 1058 298 022
27.110	1058 327 032	Intermediate Sheet	1	005/009/013/014/015/ 016/024	
	1058 327 070	Intermediate Sheet	1	021/022/026/027/028/ 029/032/034	
27.120	1055 327 049	Ledge	1	All	
27.130	0736 101 065	Torx Screw M5x22	4	All	
27.140	1055 327 050	Ledge	1	All	
27.150	0736 101 065	Torx Screw M5x22	3	All	
27.160	0501 310 401	Speed Sensor	1	All	
27.170	1055 327 133	Bracket	1	All	
27.172	0736 101 094	Torx Screw M5x12	1	All	
27.180	1058 327 035	Intermediate Sheet	1	005/009/013/014/015/ 016/024	
	1058 327 066	Intermediate Sheet	1	021/022/026/027/028/ 029/032/034	
27.190	0631 302 165	Cylindrical Pin	1	All	
27.200	0736 101 092	Torx Screw M5x40	10	All	
27.210	1058 327 008	Guide Sheet	2	All	
27.220	0630 302 103	Spring Washer	2	All	
	0736 101 090	Torx Screw M5x55	2	All	
27.230	0736 101 059	Torx Screw M5x55	10	All	
27.260	1058 227 019	Wiring Harness	1	All	
27.260/116	0501 209 253	O-Ring	2	All	* Available in kit 1058 298 022
27.280	1058 327 026	Retaining Clamp	1	All	
27.300	0501 308 004	Cable Terminal	1	All	
27.310	0501 209 749	Filter	1	All	
27.400	0736 101 069	Torx Screw M6x60	17	All	
27.410	0736 101 176	Torx Screw M6x30	5	All	
27.450	0501 004 925	Filter	1	All	* Available in kit 5HP24FK
27.460	0734 313 181	O-Ring	1	All	* Available in kit 1058 298 022 * Available in kit 5HP24FK
27.470	0736 617 064	Torx Screw M5x14	2	All	
27.500	0501 310 401	Speed Sensor	1	All	

Note: Parts marked with * are only available in kits.



5HP24 Valve Body – Duct Plate Group (continued)

Pos #	ZF Part #	Description	Qty	Where used (1058 000 ___)	Notes
27.510	1055 327 034	Bracket	1	All	
27.520	0736 101 233	Torx Screw M6x15	1	All	

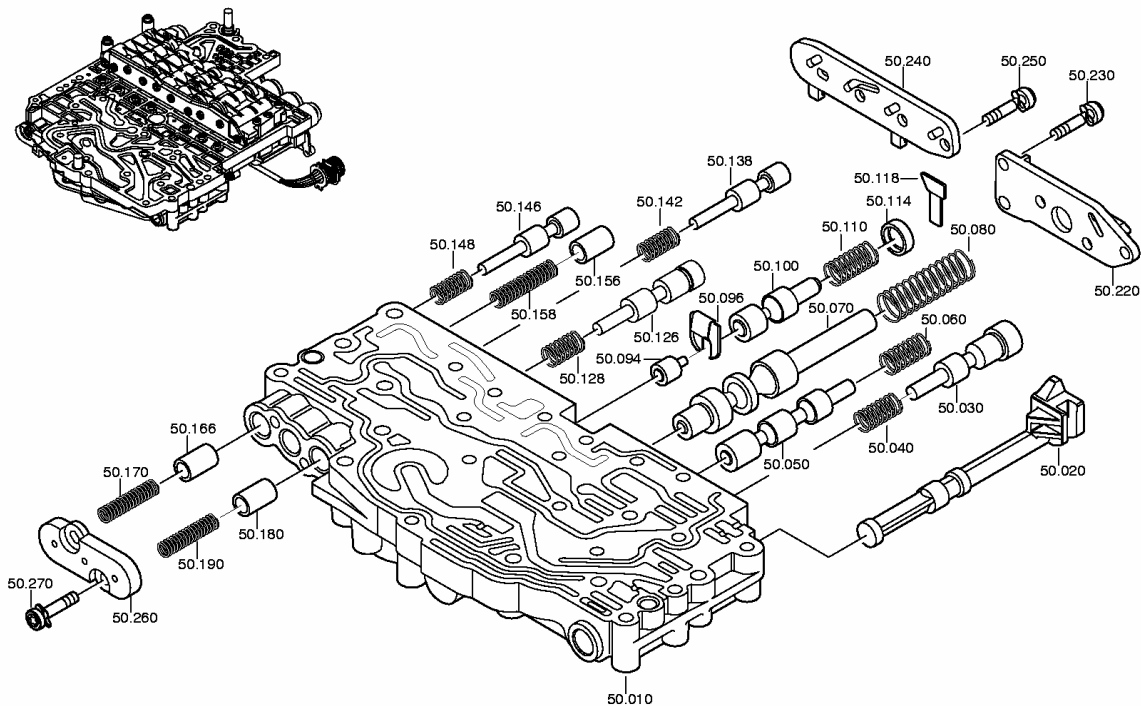


Note: Parts marked with * are only available in kits.



5HP24 Valve Body – Valve Housing Groups

Pos #	ZF Part #	Description	Qty	Where used (1058 000 ___)	Notes
50.010	1058 327 020	Valve Housing	1	014	
	1058 327 022	Valve Housing	1	All (except 014)	
50.020	1056 327 173	Selector Shift Valve	1	All	
50.030	1058 327 016	Piston	1	014	
	1058 327 024	Piston	1	All (except 014)	
50.040	0732 042 504	Compression Spring	1	All (except 014)	
	0732 042 534	Compression Spring	1	014	
50.050	1058 327 044	Piston	1	All	
50.060	0732 042 477	Compression Spring	1	All	
50.070	1058 327 030	Piston	1	All	
50.080	0732 042 633	Compression Spring	1	All	
50.094	1055 327 098	Piston	1	All	
50.096	1055 327 064	Stop Plate	1	All	
50.100	1055 327 052	Piston	1	All	
50.110	0732 042 492	Compression Spring	1	All	
50.114	1055 327 101	Sealing Cap	1	All	
50.118	1043 323 105	Support Plate	1	All	
50.126	1055 327 059	Piston	1	All	

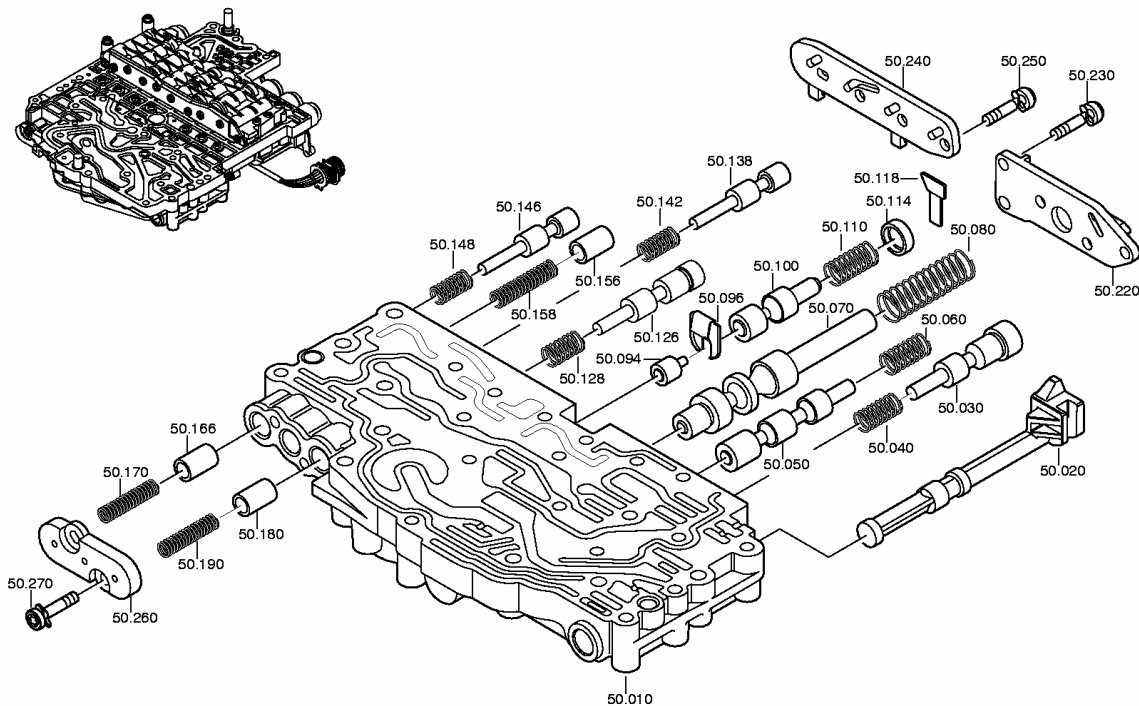


Note: Parts marked with * are only available in kits.



5HP24 Valve Body – Valve Housing Groups (continued)

Pos #	ZF Part #	Description	Qty	Where used (1058 000 ___)	Notes
50.128	0732 041 523	Compression Spring	1	005/009/013/014/015/ 016/024	
	0732 042 123	Compression Spring	1	021/022/026/027/028/ 029/032/034	
50.138	1043 326 169	Valve Spool	1	All	
50.142	0732 041 526	Compression Spring	1	All	
50.146	1043 326 169	Valve Spool	1	All	
50.148	0732 041 809	Compression Spring	1	All	
50.156	1043 326 289	Piston	1	All	
50.158	0732 042 561	Compression Spring	1	All	
50.166	1043 326 289	Piston	1	All	
50.170	0732 042 561	Compression Spring	1	All	
50.180	1043 326 289	Piston	1	All	
50.190	0732 042 561	Compression Spring	1	All	
50.220	1055 327 043	Cover	1	All	
50.230	0736 101 094	Torx Screw M5x12	5	All	
50.240	1055 327 044	Cover	1	All	
50.250	0736 101 094	Torx Screw M5x12	4	All	
50.260	1058 327 021	Cover	1	All	
50.270	0736 101 094	Torx Screw M5x12	2	All	

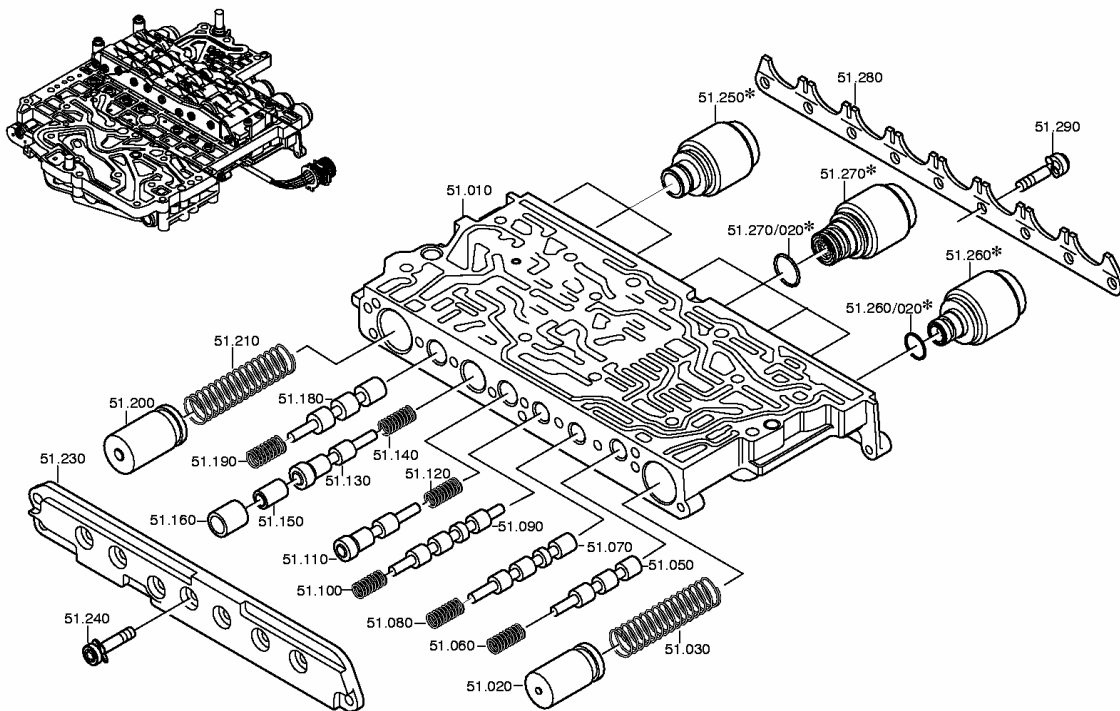


Note: Parts marked with * are only available in kits.



5HP24 Valve Body – Valve Housing Groups (continued)

Pos #	ZF Part #	Description	Qty	Where used (1058 000 ___)	Notes
51.010	1058 327 063	Valve Housing	1	All	
51.020	1058 327 017	Damper Piston	1	All	
51.030	0732 041 547	Compression Spring	1	005/009/013/014/015/ 016/024 021/022/026/027/028/ 029/032/034	
	0732 042 736	Compression Spring	1		
51.050	1056 327 028	Piston	1	All	
51.060	0732 041 462	Compression Spring	1	All	
51.070	1056 327 029	Gear Shift Slide	1	All	
51.080	0732 041 462	Compression Spring	1	All	
51.090	1055 327 023	Piston	1	All	
51.100	0732 041 826	Compression Spring	1	All	
51.110	1055 327 059	Piston	1	All	
51.120	0732 042 022	Compression Spring	1	All	
51.130	1055 327 058	Piston	1	All	
51.140	0732 041 462	Compression Spring	1	All	
51.150	1055 327 054	Piston	1	All	
51.160	1055 327 055	Bush	1	All	

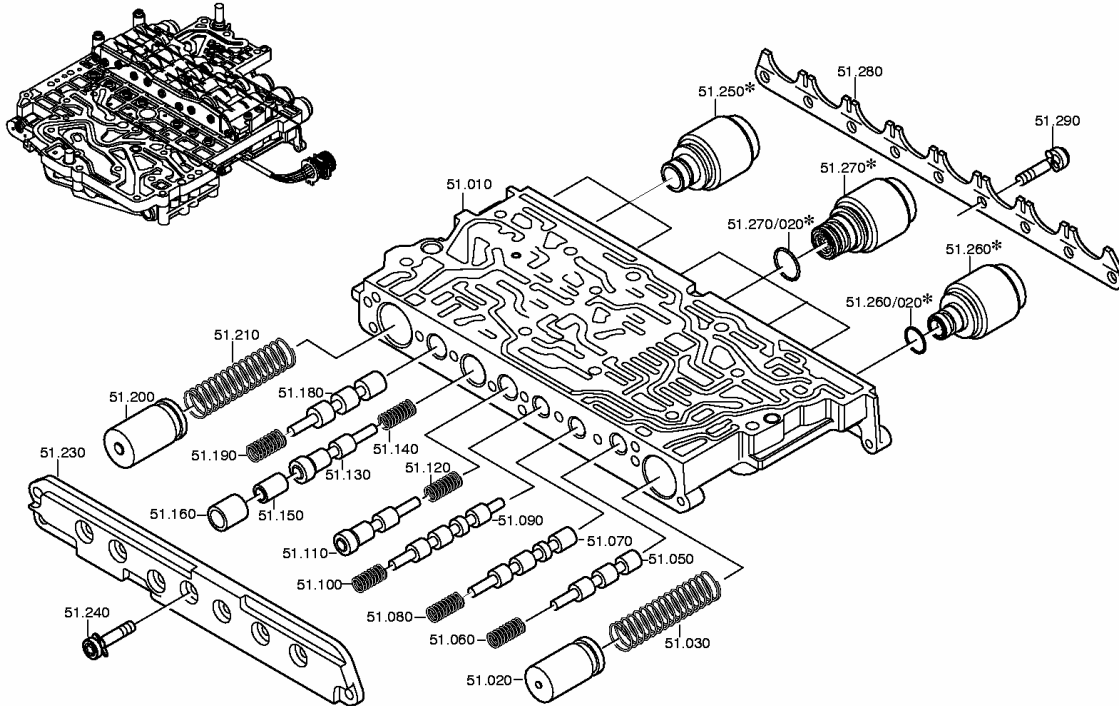


Note: Parts marked with * are only available in kits.



5HP24 Valve Body – Valve Housing Groups (continued)

Pos #	ZF Part #	Description	Qty	Where used (1058 000 ____)	Notes
51.180	1056 327 001	Piston	1	All	
51.190	0732 041 606	Compression Spring	1	All	
51.200	1058 327 017	Damper Piston	1	All	
51.210	0732 041 547	Compression Spring	1	All	
51.230	1055 327 046	Cover	1	All	
51.240	0736 101 094	Torx Screw M5x12	10	All	
51.250	0750 132 122	Solenoid Valve	3	All	* Available in kit 1060 298 034 * Available in kit 1060 298 035
51.260	0501 209 875	Pressure Regulator	1	005/009/013/014/015/ 016/024	* Available in kit 1060 298 035
	0501 210 060	Pressure Regulator	1	021/022/026/027/028/ 029/032/034	* Available in kit 1060 298 034
51.260/010	0634 316 523	O-Ring	1	021/022/026/027/028/ 029/032/034	* Available in kit 1060 298 034
51.260/020	0734 313 220	O-Ring	1	005/009/013/014/015/ 016/024	* Available in kit 1058 298 022 * Available in kit 1060 298 035
51.270	0501 208 542	Pressure Regulator	4	All	* Available in kit 1060 298 034 * Available in kit 1060 298 035
51.270/020	0734 313 134	O-Ring	1	All	* Available in kit 1058 298 022 * Available in kit 1060 298 034 * Available in kit 1060 298 035
51.280	1058 327 055	Fixing Plate	1	All	
51.290	0736 101 094	Torx Screw M5x12	9	All	

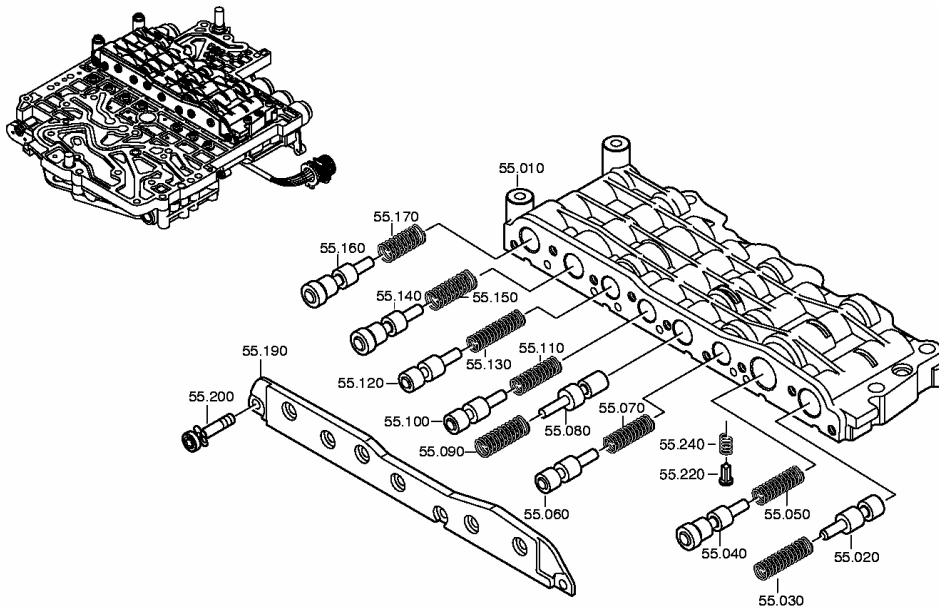


Note: Parts marked with * are only available in kits.



5HP24 Valve Body – Valve Housing Groups (continued)

Pos #	ZF Part #	Description	Qty	Where used (1058 000 ____)	Notes
55.010	1058 327 059	Valve Housing	1	005/009/013/014/015/ 016/024	
	1058 327 068	Valve Housing	1	021/022/026/027/028/ 029/032	
	1058 327 075	Valve Housing	1	034	
55.020	1055 327 065	Piston	1	All	
55.030	0732 041 894	Compression Spring	1	005/009/013/014/015/ 016/024	
	0732 042 034	Compression Spring	1	021/022/026/027/028/ 029/032/034	
55.040	1055 327 059	Piston	1	All	
55.050	0732 042 123	Compression Spring	1	All	
55.060	1043 326 169	Valve Spool	1	All	
55.070	0732 041 809	Compression Spring	1	All	
55.080	1055 327 076	Piston	1	034	
	1055 327 091	Piston	1	All (except 034)	
55.090	0732 042 382	Compression Spring	1	All	
55.100	1043 326 169	Valve Spool	1	All	

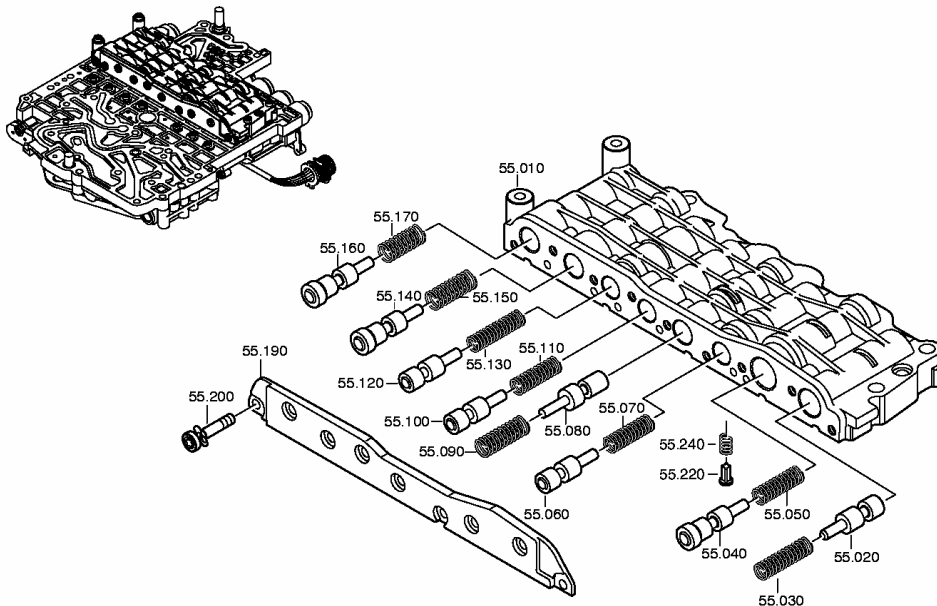


Note: Parts marked with * are only available in kits.



5HP24 Valve Body – Valve Housing Groups (continued)

Pos #	ZF Part #	Description	Qty	Where used (1058 000 ____)	Notes
55.110	0732 042 504	Compression Spring	1	All	
55.120	1043 326 169	Valve Spool	1	All	
55.130	0732 041 809	Compression Spring	1	All	
55.140	1019 327 012	Piston	1	021/022/026/027/028/ 029/032	
	1019 327 039	Piston	1		
	1055 327 059	Piston	1		
55.150	0732 041 462	Compression Spring	1	021/022/026/027/028/ 029/032/034	
	0732 041 667	Compression Spring	1		
55.160	1055 327 059	Piston	1	All	
55.170	0732 041 526	Compression Spring	1	All	
55.190	1055 327 047	Cover	1	All	
55.200	0736 101 094	Torx Screw M5x12	9	All	
55.220	1058 327 038	Valve	1	All	
55.240	0732 042 676	Compression Spring	1	All	



Note: Parts marked with * are only available in kits.



5HP24 Selective Shims & Snap Rings

5HP24 Selective Shim

Pos #	Select. Parts	Description	Qty	Where used (1058 000 ___)
02.260		Intermediate Plate Shim	1	All
	0730 109 662	Shim A=1.40		
	0730 109 663	Shim A=1.60		
	0730 109 664	Shim A=1.80		
	0730 109 665	Shim A=2.00		
	0730 109 666	Shim A=2.20		
	0730 109 667	Shim A=2.40		
	0730 109 668	Shim A=2.60		
	0730 109 669	Shim A=2.80		
	0730 109 670	Shim A=3.00		

5HP24 Selective Shim

Pos #	Select. Parts	Description	Qty	Where used (1058 000 ___)
14.080		Output Shim	1	All (except 032)
	0730 108 718	Shim A=1.00		
	0730 108 719	Shim A=1.20		
	0730 108 720	Shim A=1.40		
	0730 108 721	Shim A=1.60		
	0730 108 722	Shim A=1.80		
	0730 108 723	Shim A=2.00		
	0730 108 724	Shim A=2.20		
	0730 108 725	Shim A=2.40		
	0730 108 726	Shim A=2.60		
	0730 108 727	Shim A=2.80		
	0730 108 728	Shim A=3.00		
	0730 108 729	Shim A=3.20		

5HP24 Selective Shim

Pos #	Select. Parts	Description	Qty	Where used (1058 000 ___)
14.080		Output Shim	1	032
	0730 105 269	Shim A=2.20		
	0730 105 270	Shim A=2.40		
	0730 105 271	Shim A=2.60		
	0730 105 272	Shim A=2.80		
	0730 105 273	Shim A=3.00		
	0730 105 274	Shim A=3.20		
	0730 105 275	Shim A=3.40		
	0730 105 276	Shim A=3.60		
	0730 111 680	Shim A=3.80		
	0730 111 681	Shim A=4.00		
	0730 111 682	Shim A=4.20		



5HP24 Selective Shims & Snap Rings (continued)

5HP24 Selective Snap Ring

Pos #	Select. Parts	Description	Qty	Where used (1058 000 ___)
70.140		Clutch A Snap Ring	1	All
	1058 370 023	Snap Ring A=1.80		
	1058 370 024	Snap Ring A=2.00		
	1058 370 021	Snap Ring A=2.20		
	1058 370 011	Snap Ring A=2.40		
	1058 370 012	Snap Ring A=2.60		
	1058 370 013	Snap Ring A=2.80		
	1058 370 014	Snap Ring A=3.00		
	1058 370 015	Snap Ring A=3.20		
	1058 370 016	Snap Ring A=3.40		
	1058 370 017	Snap Ring A=3.60		

5HP24 Selective Snap Ring

Pos #	Select. Parts	Description	Qty	Where used (1058 000 ___)
72.130		Clutch B Snap Ring	1	All
73.010/220		Clutch D Snap Ring	1	All
74.090		Clutch E Snap Ring	1	All
	1058 371 024	Snap Ring A=2.20		
	1058 371 021	Snap Ring A=2.40		
	1058 371 011	Snap Ring A=2.60		
	1058 371 012	Snap Ring A=2.80		
	1058 371 013	Snap Ring A=3.00		
	1058 371 014	Snap Ring A=3.20		
	1058 371 015	Snap Ring A=3.40		
	1058 371 016	Snap Ring A=3.60		
	1058 371 017	Snap Ring A=3.80		
	1058 371 018	Snap Ring A=4.00		
	1058 371 019	Snap Ring A=4.20		
	1058 371 020	Snap Ring A=4.40		
	1058 371 036	Snap Ring A=4.60		

5HP24 Selective Snap Ring

Pos #	Select. Parts	Description	Qty	Where used (1058 000 ___)
75.010/210		Clutch C Snap Ring	1	All
	0730 513 591	Snap Ring A=2.20		
	0730 513 592	Snap Ring A=2.40		
	0730 513 593	Snap Ring A=2.60		
	0730 513 594	Snap Ring A=2.80		
	0730 513 595	Snap Ring A=3.00		
	0730 513 596	Snap Ring A=3.20		
	0730 513 597	Snap Ring A=3.40		



5HP24 Selective Shims & Snap Rings (continued)

5HP24 Selective Snap Ring

Pos #	Select. Parts	Description	Qty	Where used (1058 000 ___)
77.110		Clutch F Snap Ring	1	All
	1055 370 007	Snap Ring A=2.60		
	1055 370 010	Snap Ring A=3.00		
	1055 370 011	Snap Ring A=3.40		
	1055 370 014	Snap Ring A=3.80		



5HP24 Kit Content

5HP24 Fiber Clutch Kit – 1058 298 014

Pos #	ZF Part #	Description	Qty	Where used (1058 000 ____)	Notes
70.110	1058 270 020	Friction Plate A	6	005/009	
72.100	1058 270 025	Friction Plate B	6	005/009	
73.010/200	1058 270 025	Friction Plate D	4	005/009	
74.060	1058 270 025	Friction Plate E	5	005/009	
75.010/190	1058 270 020	Friction Plate C	4	005/009	
77.090	1055 270 069	Friction Plate F	6	005/009	

5HP24 Fiber Clutch Kit – 1058 298 015

Pos #	ZF Part #	Description	Qty	Where used (1058 000 ____)	Notes
70.110	1058 270 028	Friction Plate A	6	All (except 005/009)	
72.100	1058 270 029	Friction Plate B	6	All (except 005/009)	
73.010/200	1058 270 029	Friction Plate D	5	All (except 005/009)	014/028 use 3 pieces; 013/015/016/021/022/024/026/ 027/029/032 use 4 pieces
74.060	1058 270 029	Friction Plate E	5	All (except 005/009)	014/028 use 4 pieces
75.010/190	1058 270 028	Friction Plate C	4	All (except 005/009)	
77.090	1055 270 072	Friction Plate F	6	All (except 005/009)	

5HP24 Steel Kit – 1058 298 016

Pos #	ZF Part #	Description	Qty	Where used (1058 000 ____)	Notes
70.100	1058 370 053	Steel Plate A	6	005/009	
70.120	1058 370 057	End Plate A	1	005/009	
72.090	1058 370 050	Steel Plate B	6	005/009	
72.110	1058 370 049	End Plate B	1	005/009	
73.010/190	1058 370 050	Steel Plate D	4	005/009	
73.010/210	1058 370 049	End Plate D	1	005/009	
74.050	1058 370 050	Steel Plate E	5	005/009	
74.070	1058 370 049	End Plate E	1	005/009	
75.010/180	1058 370 053	Steel Plate C	4	005/009	
75.010/200	1058 370 052	End Plate C	1	005/009	
77.080	1055 374 024	Steel Plate F	6	005/009	
77.100	1055 376 052	End Plate F	1	005/009	

5HP24 Steel Kit – 1058 298 017

Pos #	ZF Part #	Description	Qty	Where used (1058 000 ____)	Notes
70.100	1058 370 066	Steel Plate A	6	All (except 005/009)	
70.120	1058 370 057	End Plate A	1	All (except 005/009)	
72.090	1058 370 073	Steel Plate B	6	All (except 005/009)	
72.110	1058 370 076	End Plate B	1	All (except 005/009)	

Note: Above listed parts are not sold individually.



5HP24 Kit Content (continued)

5HP24 Steel Kit – 1058 298 017 (continued)

Pos #	ZF Part #	Description	Qty	Where used (1058 000 ___)	Notes
73.010/190	1058 370 073	Steel Plate D	5	All (except 005/009)	014/028 use 3 pieces; 013/015/016/021/022/024/026/ 027/029/032 use 4 pieces
73.010/210	1058 370 076	End Plate D	1	All (except 005/009)	
74.050	1058 370 073	Steel Plate E	5	All (except 005/009)	014/028 use 4 pieces
74.070	1058 370 076	End Plate E	1	All (except 005/009)	
75.010/180	1058 370 066	Steel Plate C	4	All (except 005/009)	
75.010/200	1058 370 067	End Plate C	1	All (except 005/009)	
77.080	1055 374 030	Steel Plate F	6	All (except 005/009)	
77.100	1055 376 054	End Plate F	1	All (except 005/009)	

5HP24 Overhaul Kit – 1058 298 022

Pos #	ZF Part #	Description	Qty	Where used (1058 000 ___)	Notes
01.010/120	0734 319 623	Shaft Seal	2	All	016/021/022 use 1 piece
01.090	0636 308 015	Screw Plug M12x1.5	1	All	
01.210	0636 308 017	Screw Plug M14x1.5	2	All	
01.220	0636 308 025	Screw Plug M18x1.5	1	All	
01.350	0734 317 227	Sealing Sleeve	2	All	
01.650	0501 315 118	Screw Plug M10x1	7	All	
03.010/130	0636 308 026	Screw Plug	1	All	
03.030	0501 314 899	Gasket	1	All	
10.010/140	1055 310 039	Sealing Ring	1	All	
10.010/170	0750 111 254	Shaft Seal	1	All	
10.014	0734 313 178	O-Ring	1	All	
10.020/140	0734 401 248	Piston Ring	2	All	
10.020/180	0501 315 119	Screw Plug M22x1.5	1	All	
10.020/200	0734 313 182	O-Ring	1	All	
10.024	0501 315 821	Gasket	1	All	
10.090	0636 308 017	Screw Plug M14x1.5	1	All	
14.010/140	0750 111 243	Shaft Seal	1	All (except 032)	
14.060	0734 313 097	O-Ring	1	All	
27.044	0501 314 645	Rubber Part	1	All	Early valve body
	1068 227 039	Piston	1	All	Late valve body
27.100	1058 327 045	Gasket	1	All	
27.260/116	0501 209 253	O-Ring	2	All	
27.460	0734 313 181	O-Ring	1	All	
32.290	0734 313 137	O-Ring	1	All	
51.260/020	0734 313 220	O-Ring	1	005/009/013/014/015/ 016/024	
51.270/020	0734 313 134	O-Ring	4	All	
70.014	0734 313 151	O-Ring	1	All	
70.030	0734 313 148	O-Ring	1	All	
70.040	0734 313 163	O-Ring	1	All	
70.070	0734 313 163	O-Ring	1	All	
72.030	0734 313 175	O-Ring	1	All	

Note: Above listed parts are not sold individually.



5HP24 Kit Content (continued)

5HP24 Overhaul Kit – 1058 298 022 (continued)

Pos #	ZF Part #	Description	Qty	Where used (1058 000 ___)	Notes
72.040	0734 313 007	O-Ring	1	All	
72.050	0501 315 073	Sealing Ring	1	All	
72.140	0734 317 256	Piston Ring	2	All	
73.010/152	0734 313 169	O-Ring	1	All	
73.010/154	0734 313 180	O-Ring	1	All	
74.012	0734 313 149	O-Ring	1	All	
74.014	0734 313 007	O-Ring	1	All	
74.140	0734 313 198	O-Ring	1	All	
74.150	0734 313 151	O-Ring	1	All	
75.010/130	0734 313 090	O-Ring	1	All	
75.010/140	0734 313 025	O-Ring	1	All	
75.140/020	0301 302 040	O-Ring	2	All	
75.140/130	0734 317 279	Sealing Ring	2	All	
77.140	0734 313 096	O-Ring	1	All	

5HP24 Solenoid Kit – 1060 298 034

Pos #	ZF Part #	Description	Qty	Where used (1058 000 ___)	Notes
51.250	0750 132 122	Solenoid Valve	3	All	
51.260	0501 210 060	Pressure Regulator	1	021/022/026/027/028/ 029/032/034	
51.260/010	0634 316 523	O-Ring	1	021/022/026/027/028/ 029/032/034	
51.270	0501 208 542	Pressure Regulator	4	All	
51.270/020	0734 313 134	O-Ring	1	All	

5HP24 Solenoid Kit – 1060 298 035

Pos #	ZF Part #	Description	Qty	Where used (1058 000 ___)	Notes
51.250	0750 132 122	Solenoid Valve	3	All	
51.260	0501 209 875	Pressure Regulator	1	005/009/013/014/015/ 016/024	
51.260/020	0734 313 220	O-Ring	1	005/009/013/014/015/ 016/024	
51.270	0501 208 542	Pressure Regulator	4	All	
51.270/020	0734 313 134	O-Ring	1	All	

5HP24 Filter Kit – 5HP24FK

Pos #	ZF Part #	Description	Qty	Where used (1058 000 ___)	Notes
03.010/130	0636 308 026	Screw Plug M16x1.5	1	All	
03.030	0501 314 899	Gasket	1	All	
27.450	0501 004 925	Filter	1	All	
27.460	0734 313 181	O-Ring	1	All	

Note: Above listed parts are not sold individually.



Quotation / Order Form

FAX FORM TO YOUR PREFERRED ZF PASSENGER CAR TRANSMISSION DISTRIBUTOR

Purchase Order Date: _____

Purchase Order #: _____

Customer Information

Company Name: _____

Contact: _____

Street: _____

City, State & Zip: _____

Phone #: _____

Fax #: _____

Email: _____

Customer #: _____

Shipping Information

Ship To: _____

Attention: _____

Street: _____

City, State & Zip: _____

Request Date: _____

Ship via: _____

Vehicle Information

Make: _____

Model: _____

Model Year: _____

Transmission Spec: _____

Order Information

Line	Qty	Pos. #	ZF Part #	Description / Cust. Ref. No.
1				
2				
3				
4				
5				
6				
7				
8				
9				
10				
11				
12				
13				
14				
15				
16				
17				
18				
19				
20				

Signature: _____

Date: _____



Notes



Warranty Information

Warranty coverage for ZF passenger car transmission spare parts and kits covers the first 12 months after installation in the vehicle, or 24 months after purchase from ZF Industries, Inc.

Warranty of the product is limited to replacement or repair, if found to be defective in ZF material or workmanship, and specifically does not cover removal, reinstallation, or any costs incidental to the repair of the vehicle, or any kind of consequential damages.

All warranty and/or non-warranty returns must be approved.

Disclaimer

The specifications and information shown in this catalog have been compiled from accepted and reliable sources and is believed to be accurate at the time of publication. While ZF Industries, Inc. believes this information is correct, no guarantee or warranty is made as to the accuracy of the information and ZF Industries, Inc. cannot and does not accept or assume any responsibilities for errors, omissions, or consequential harm or damages. Replacement parts should not be used when they do not appear to fit. ZF Industries, Inc. disclaims all liability and responsibility for any harm resulting from any such modifications.

Copyright

Printed in USA – Copyright © 2003 ZF Industries, Inc.

No part of this publication may be reproduced, stored in a retrieval system, or transmitted, in any form or by any means, electronic, mechanical, photocopying, recording, or otherwise, without prior written permission of ZF Industries, Inc.