



BY APPOINTMENT TO
HER MAJESTY QUEEN ELIZABETH II
MANUFACTURERS OF DAIMLER AND JAGUAR CARS
JAGUAR CARS LIMITED COVENTRY



BY APPOINTMENT TO
HER MAJESTY QUEEN ELIZABETH
THE QUEEN MOTHER
MANUFACTURERS OF DAIMLER AND JAGUAR CARS
JAGUAR CARS LIMITED COVENTRY



BY APPOINTMENT TO
HIS ROYAL HIGHNESS THE PRINCE OF WALES
MANUFACTURERS OF DAIMLER AND JAGUAR CARS
JAGUAR CARS LIMITED COVENTRY

Electrical Guide

XK

VIN: B00379 > B09096

While every effort is made to ensure accuracy, design changes to the vehicle may be made in the period between the completion of this publication and the introduction of vehicles.

Table of Contents: Figures	2
Abbreviations and Acronyms	5
User Instructions	6
Symbols and Codes	7
Electrical Guide Figures	follows after page 9 (pages are numbered by Figure number)
Connector Index	Follows Figures
Component Index	Follows Connector Index

FIGURES

Fig.	Description	Variant
01	Power Distribution	
Fig. 01.1	Power Distribution Box: Part 1	All
Fig. 01.2	Power Distribution Box: Part 2	All
Fig. 01.3	Power Distribution Box: Part 3	All
Fig. 01.4	Central Junction Box: Part 1	All
Fig. 01.5	Central Junction Box: Part 2	All
Fig. 01.6	Central Junction Box: Part 3	All
Fig. 01.7	Central Junction Box: Part 4	All
Fig. 01.8	Auxiliary Junction Box: Part 1	All
Fig. 01.9	Auxiliary Junction Box: Part 2	All
Fig. 01.10	Auxiliary Junction Box: Part 3	All
Fig. 01.11	Auxiliary Junction Box: Part 4	All
Fig. 01.12	Auxiliary Junction Box: Part 5	All
02	Ground Distribution	
Fig. 02.1	Ground Distribution: Front 1	All
Fig. 02.2	Ground Distribution: Front 2	All
Fig. 02.3	Ground Distribution: Front 3	All
Fig. 02.4	Ground Distribution: Rear 1	All
Fig. 02.5	Ground Distribution: Rear 2	All
Fig. 02.6	Ground Distribution: Rear 3	All
03	Starter; Generator	
Fig. 03.1	Starting and Charging	All
04	Engine Management	
Fig. 04.1	Engine Management: Sensors 1	All
Fig. 04.2	Engine Management: Sensors 2	All
Fig. 04.3	Engine Management: Emissions	All
Fig. 04.4	Engine Management: Actuators – V8NA	Yes
Fig. 04.5	Engine Management: Actuators – V8SC	Yes
Fig. 04.6	Engine Management: Fuel Tank and Lines	All
Fig. 04.7	Engine Cooling	All
05	Transmission	
Fig. 05.1	Transmission	All
Fig. 05.2	Transmission: Paddle Switches	All
06	Chassis	
Fig. 06.1	Dynamic Stability Control: Except 3.5L	Yes
Fig. 06.2	Dynamic Stability Control: 3.5L	Yes
Fig. 06.3	Electronic Parking Brake	All
Fig. 06.4	Adaptive Damping	Yes
Fig. 06.5	Speed Control	Yes
Fig. 06.6	Adaptive Speed Control	Yes
Fig. 06.7	Tire Pressure Monitoring System	Yes
07	Climate Control	
Fig. 07.1	Climate Control: Part 1	All
Fig. 07.2	Climate Control: Part 2	All

FIGURES

Fig.	Description	Variant
08 Instrumentation		
Fig. 08.1	Instrument Cluster	All
09 Exterior Lighting		
Fig. 09.1	Exterior Lighting: Headlamps	All
Fig. 09.2	Exterior Lighting: Standard Headlamp Leveling	Non HID Headlamp
Fig. 09.3	Exterior Lighting: Automatic Headlamp Leveling	HID Headlamp
Fig. 09.4	Exterior Lighting: Side Lamps	All
Fig. 09.5	Exterior Lighting: Reverse and Stop Lamps	All
Fig. 09.6	Exterior Lighting: Turn Signal Indicators	All
Fig. 09.7	Exterior Lighting: Fog Lamps	All
10 Interior Lighting		
Fig. 10.1	Interior Lighting: Map and Courtesy	All
Fig. 10.2	Interior Lighting: Door and Trunk	All
Fig. 10.3	Interior Lighting: Switch Illumination	All
11 Steering Column; Pedals; Mirrors		
Fig. 11.1	Steering Column Adjustment; Pedal Adjustmтт	All
Fig. 11.2	Mirror Movement	All
12 Seat Systems		
Fig. 12.1	Driver Seat	All
Fig. 12.2	Passenger Seat	All
Fig. 12.3	Heated Seats	All
13 Central Locking; Security		
Fig. 13.1	Keyless Start	All
Fig. 13.2	Keyless Entry: LHD	Yes
Fig. 13.3	Keyless Entry: RHD	Yes
Fig. 13.4	Door Locking	All
Fig. 13.5	Front Security	All
Fig. 13.6	Rear Security and Alarms	All
14 Wash / Wipe		
Fig. 14.1	Wash / Wipe System	All
15 Powered Windows; Convertible Top		
Fig. 15.1	Powered Windows	All
Fig. 15.2	Convertible Top	Yes
16 In-Car Entertainment		
Fig. 16.1	In-Car Entertainment: Premium	Yes
Fig. 16.2	In-Car Entertainment: Standard	Yes
Fig. 16.3	Satellite Digital Audio Radio System (SDARS)	Yes
17 Telematics		
Fig. 17.1	Telephone System	Yes
Fig. 17.2	Navigation System	Yes

FIGURES

Fig.	Description	Variant
18	Occupant and Pedestrian Protection	
Fig. 18.1	Safety Belts	All
Fig. 18.2	Air Bags: Coupe.	Yes
Fig. 18.3	Air Bags: Convertible.	Yes
Fig. 18.4	Pedestrian Protection System	Yes
19	Driver Assist	
Fig. 19.1	Parking Aid System	All
20	Ancillaries	
Fig. 20.1	Ancillaries	All
21	Vehicle Multiplex Systems	
Fig. 21.1	CAN bus - High Speed	All
Fig. 21.2	CAN bus - Medium Speed.	All
Fig. 21.3	MOST Network	All

The following abbreviations and acronyms are used throughout this Electrical Guide:

ABS	anti-lock braking system
ASL	automatic speed limiter
AUTO	automatic
AJB	auxiliary junction box
B+	battery voltage
BANK 1	RH cylinder bank
BANK 2	LH cylinder bank
BJB	battery junction box
CAN	controller area network
CJB	central junction box
CKP	crankshaft position
CM	control module
CMP SENSOR / 1	camshaft position sensor / RH bank
CMP SENSOR / 2	camshaft position sensor / LH bank
DSC	dynamic stability control
ECM	engine control module
EGR	exhaust gas recirculation
FPDB	front (power distribution box)
FSJB	central junction box
GPS	global positioning system
HID	high intensity discharge
HS CAN	high speed controller area network
IAM	integrated audio module
IC	instrument cluster
ICE	in-car entertainment
IDM	intrusion detection module
KS	knock sensor
KVM	keyless vehicle module
LF	low frequency
LH	left-hand
LHD	left-hand drive
LIN	local interconnect network
MAF	mass air flow sensor
MAP	manifold absolute pressure
MOST	media oriented systems transport
MS CAN	medium speed controller area network
NA	naturally aspirated
NAS	North American specification
PATS	passive anti-theft system
PWM	pulse width modulated
RBD	ring break diagnostics
RCM	restraints control module
RH	right-hand
RHD	right-hand drive
ROW	rest of world
RSJB	auxiliary junction box
SAI	secondary air injection
SC	supercharged
SDARS	satellite digital audio radio system
TCM	transmission control module
TPS	throttle position sensor
TPMS	tire pressure monitoring system
TV	television
V8	V8 engine
V8NA	V8 normally aspirated engine
V8SC	V8 supercharged engine
VICS	vehicle information control system
+ve	positive
-ve	negative

Health and Safety

Always follow health and safety guidelines, specifically those detailed in the Workshop Manual.

Using this publication

The information provided in this publication is for use only by competent, qualified auto-electricians. Good product knowledge is assumed, as well as the ability to access and use recommended test equipment and other reference material.

Test equipment and other reference material

The information in this publication should be used in conjunction with the recommended test equipment; refer to Workshop Manual. Other reference material includes: Technical Service Bulletins (TSB) and the Workshop Manual.

The Electrical Reference Library (ERL) may also prove useful since it provides detailed connector information.

Battery disconnection and reconnection

It is imperative that any information relating to battery disconnection and reconnection is followed; refer to the appropriate sections in the Workshop Manual.

Fault Diagnosis

Always use the recommended test equipment for correct and reliable fault diagnosis, refer to the Workshop Manual.

Harness Repair

Certain connectors must not be repaired; refer to Harness Repair information.

Connectors, Grounds and Splices

Connectors, grounds and splices are numbered using a five-character format, for example: CA001, CA002, G03BL, FLS25. Pin numbers are designated using only significant digits, therefore CA001 pin 001 is represented as CA001/1.

Control Module Pins

B+	Battery voltage
C-	CAN negative
C+	CAN positive
D	Data
GND	Ground
GRES	Sensor / signal ground **
IP	Input signal
LIN	Local interconnect network
MOST_RX	MOST receive
MOST_TX	MOST transmit
NEG	Negative
OP	Output signal
P	Power ground
POS	Positive
PWR	Power
SW	Switch
VBATT	Battery voltage
VREF	Sensor / signal supply V *

* May also indicate Reference Voltage.

** May also indicate Reference Ground or Logic Ground.

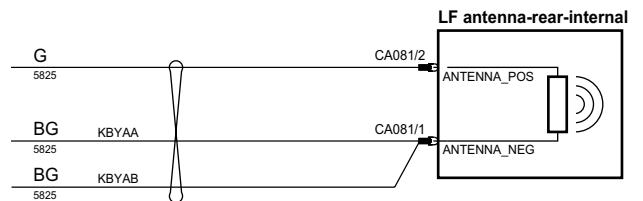
Wiring Color Codes

N	Brown	O	Orange
B	Black	S	Slate
W	White	L	Light
K	Pink	U	Blue
G	Green	P	Purple
R	Red	OPT	Fiber Optic
Y	Yellow	SCR	Screen Braid

Wire Lengths

Wire lengths are stated in millimeters and appear directly below the color code for each wire.

Twisted Wires



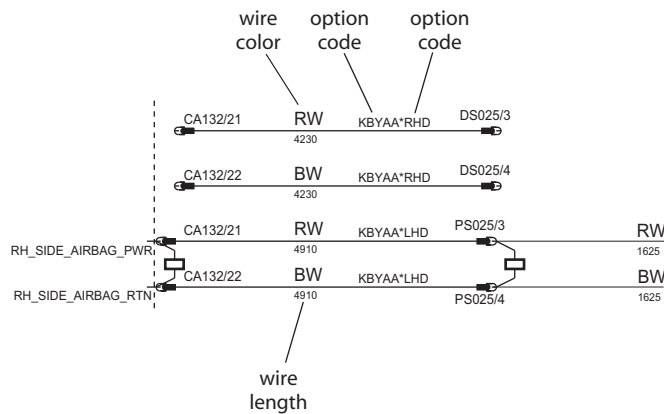
The 'figure-of-eight' symbol indicates that wires are twisted together.

Resistor Values

The omega symbol often used to represent resistance is not used in this publication.

- Whole-number resistor values below 1000 ohms are suffixed with 'R', for example: 820R.
- Whole-number resistor values above 1000 ohms are suffixed with 'K', for example: 820K.
- Fractional resistors values have 'R' or 'K' inserted at the position of the decimal point, for example: 8R2 represents 8.2 ohms, 1K0 represents 1K ohms.

Option Codes



A code identifying an optional wiring arrangement, for example KBYAA, may be allocated to certain wires; refer to the Option Code Table. The asterisk (*) represents 'and'; the colon (:) represents 'or'; for example:

IEFAB*RHD:IF9AB*RHD:IEFAB*IF9AB*RHD, represents:
phone and right-hand drive or voice and right-hand drive or phone and voice and right-hand drive.

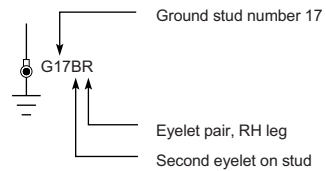
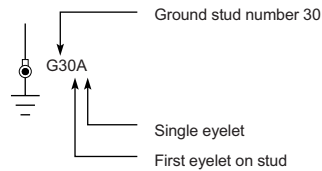
Option Code Table

3_5L	3.5 liter
ADRC	adaptive damping
B3MAB	heated front windshield
BSHA5	foldback mirrors
CBGAG	passive entry
DBL_LOCK	double locking
DMTL	diagnostic monitoring tank leakage
EC_MIRR	electrochromic mirror
EN_AJ	naturally aspirated
EN_AK	supercharged
GCDAD	adjustable pedals
GTBAB	heated steering wheel
GTDAC	adaptive speed control
HIBAH	battery backed sounder
HIBAJ	alarm horn
HKCAA	no navigation
HKCAK	navigation
HNFAB	intrusion sensor
HNGAB	inclination sensor
HNLAB	front parking aid
HTD_SEAT	heated seats
IDAAA	standard audio
IDAAB	premium audio
IEFAA	no phone
IEFAB	phone
IF9AB	voice
JEAAB	standard headlamp levelling
JEAAC	adaptive headlamp levelling
KBYAA	coupe
KBYAB	convertible
LHD	left-hand drive
NO_3_5L	Except 3.5L
PEDIMP	pedestrian protection system
RDS	radio data system
RHD	right-hand drive
SAI	secondary air injection
SAIMAP	SAI map sensor
SDARS	satellite digital audio radio system
SEAT_12WAY	12 way seat
SEAT_16WAY	16 way seat
SMOG_SNSR	pollution sensor
TPMS	tire pressure monitoring system
TV	television
VICS	vehicle information and communication system

Grounds

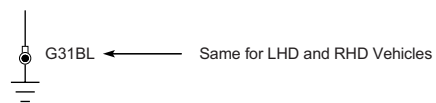
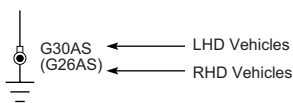
- There may be up to three eyelets on one ground stud.
- A, B and C are used to indicate the position of the eyelet on the stud: A - first (bottom), B - second (middle), C - third (top).
- Two eyelet variations are used: a single eyelet and an eyelet pair. The single eyelet has a single leg, which is identified by an S; the eyelet pair has two legs, identified as L (left) or R (right).

EXAMPLE:



On figures where LHD and RHD circuits are combined and the ground designation differs from LHD to RHD, the RHD ground code is shown in parentheses. If the ground designation is the same for LHD and RHD, only one ground code is used, with no parentheses.

EXAMPLE:



Component Depictions

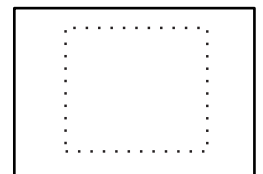
EXAMPLE:



COMPLETE COMPONENTS
AND CONTROL MODULES

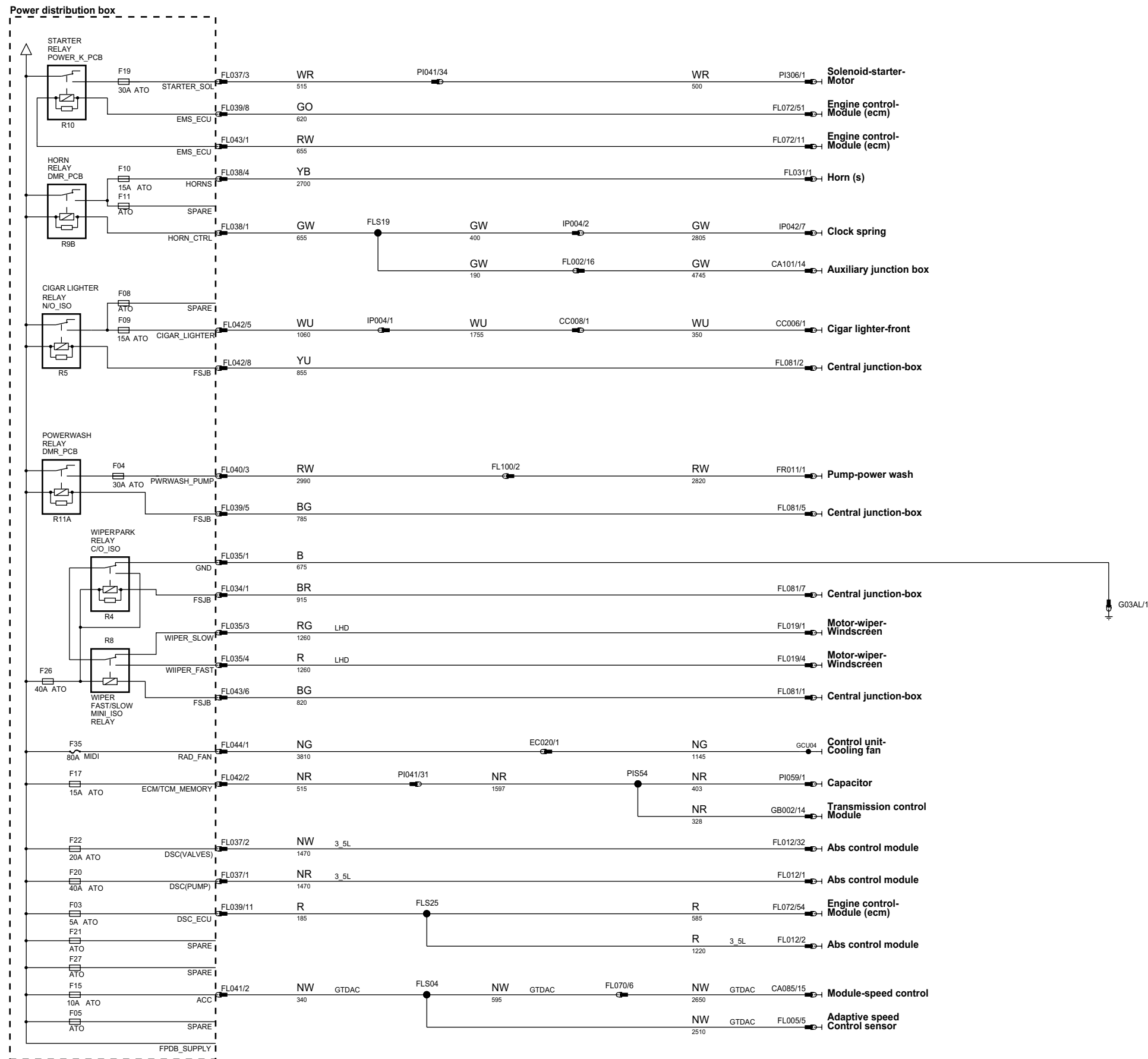


INCOMPLETE COMPONENTS



COMPONENTS WITH
INTERNAL ELECTRONIC CIRCUIT

ph6w83-70012-c-ab

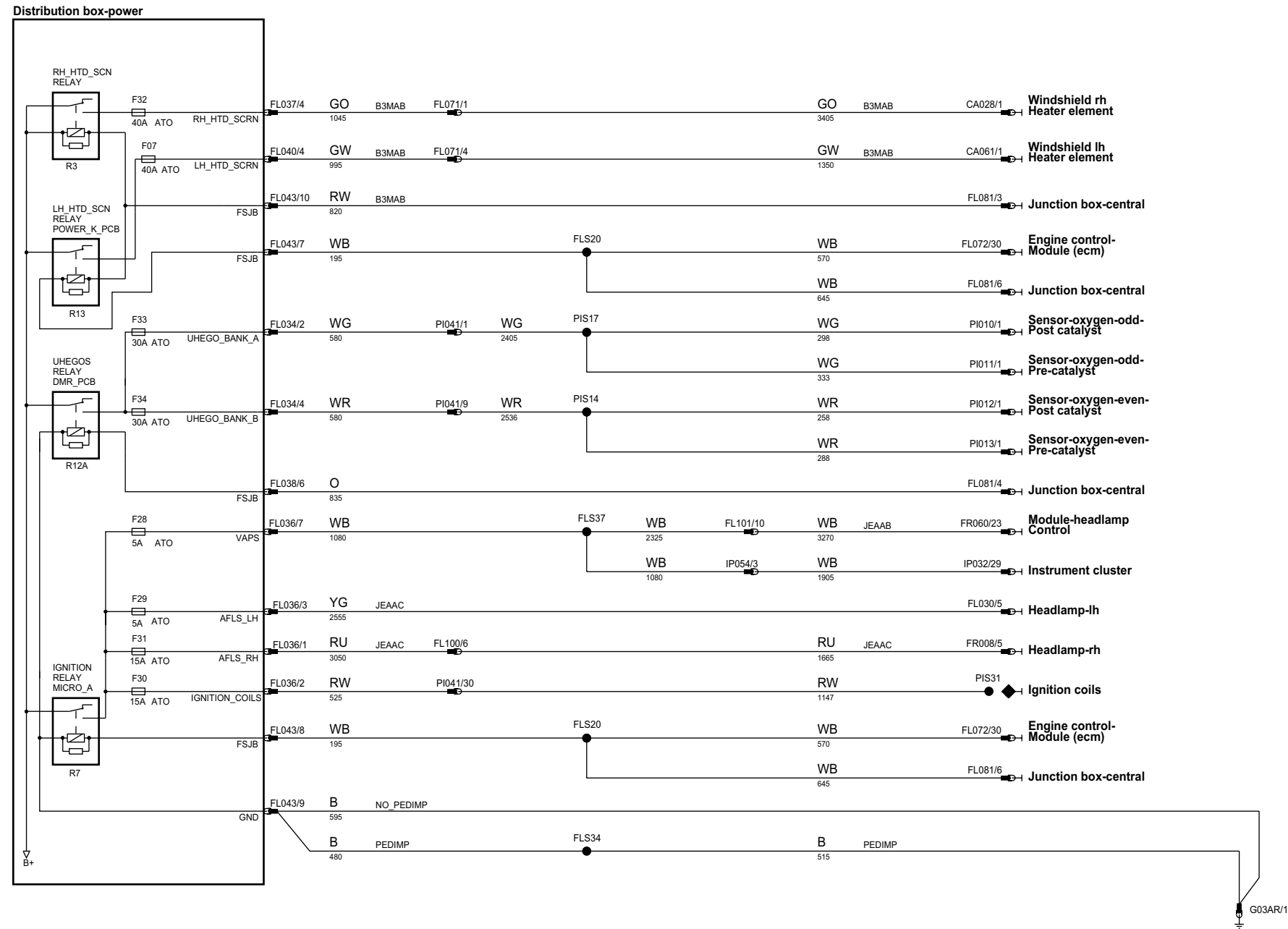


B- Battery Voltage
 P Power Ground
 IP Input
 OP Output
 VREF Sensor/Signal Supply V
 GREF Sensor/Signal Ground

HS CAN BUS High speed controller area network bus
 MS CAN BUS Medium speed controller area network bus

MOST BUS Media oriented systems transport bus
 D Serial and Encoded Data

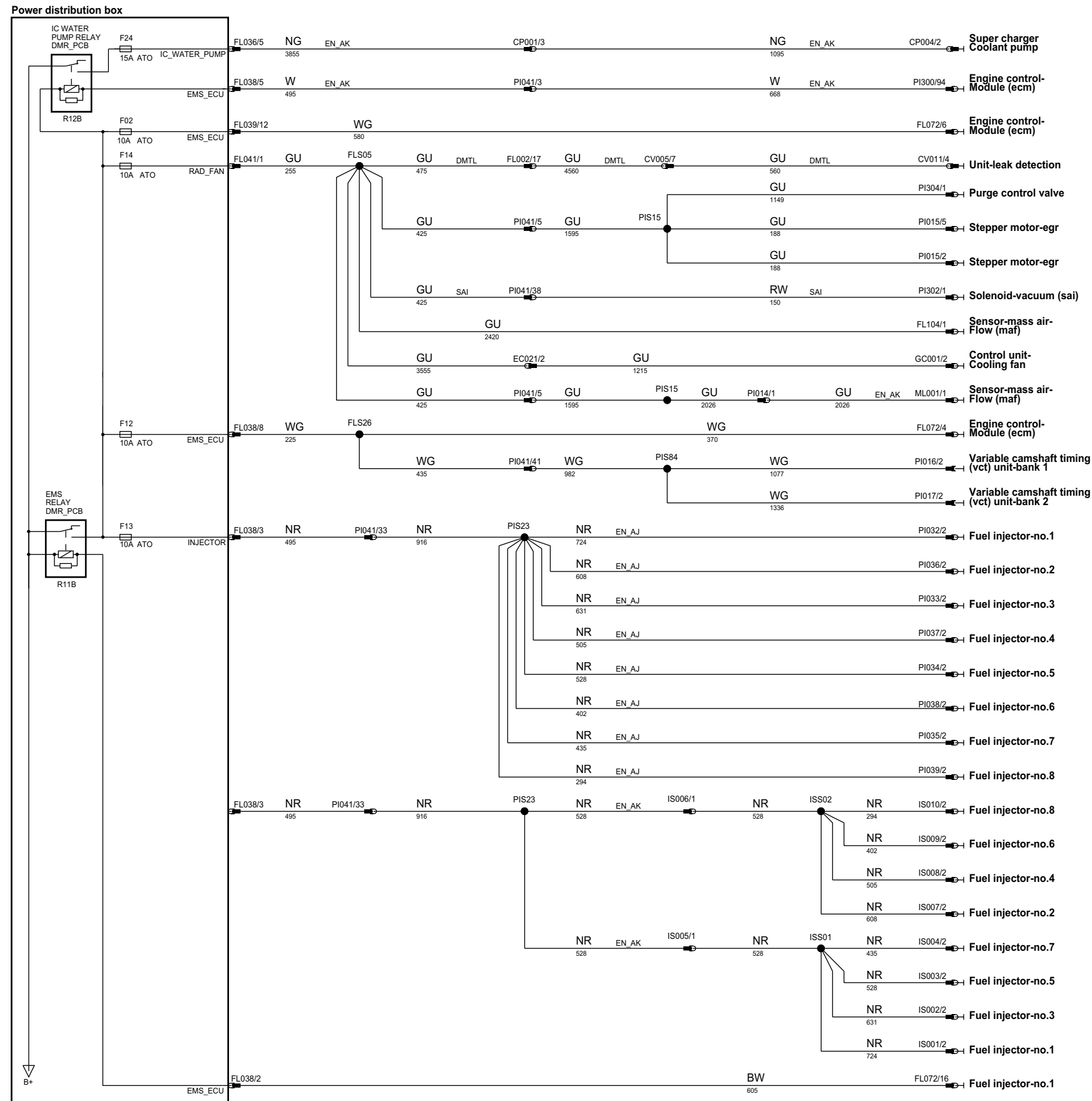
VARIANT: All
 VIN RANGE: All
 DATE OF ISSUE: April 2006



B - Battery Voltage	IP Input	VREF Sensor/Signal Supply V	HS CAN BUS High speed controller area network bus	MOST BUS Media oriented systems transport bus
P Power Ground	OP Output	GRES Sensor/Signal Ground	MS CAN BUS Medium speed controller area network bus	D Serial and Encoded Data

VARIANT: All
 VIN RANGE: All
 DATE OF ISSUE: April 2006

ph6w83-70012-m2-ab



B+ Battery Voltage
P Power Ground

IP Input
OP Output

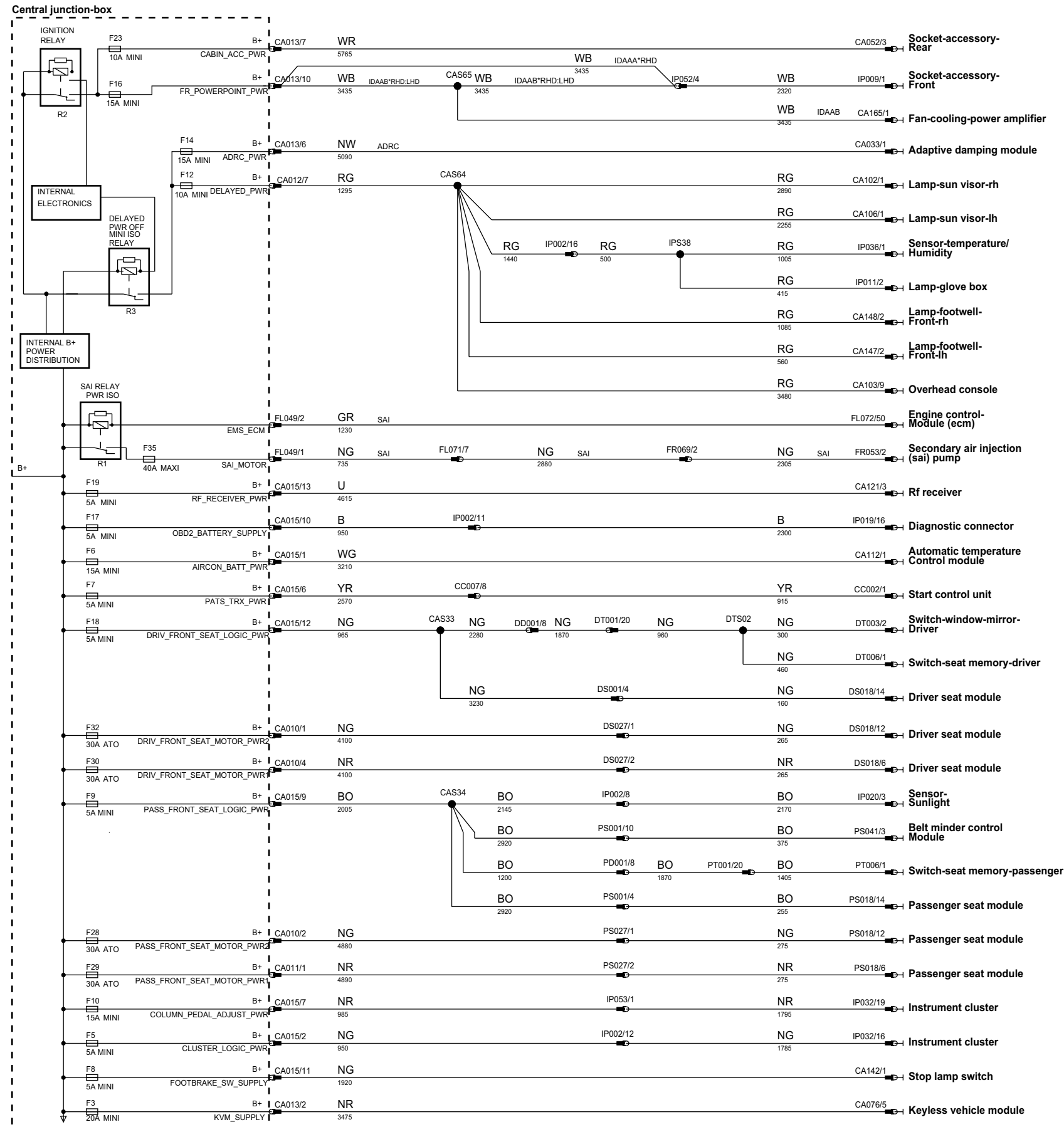
VREF Sensor/Signal Supply V
GREF Sensor/Signal Ground

HS CAN BUS High speed controller area network bus
MS CAN BUS Medium speed controller area network bus

MOST BUS Media oriented systems transport bus
D Serial and Encoded Data

VARIANT: All
VIN RANGE: All
DATE OF ISSUE: April 2006

ph6w83-70012-d-ab



B+ Battery Voltage
P Power Ground

IP Input
OP Output

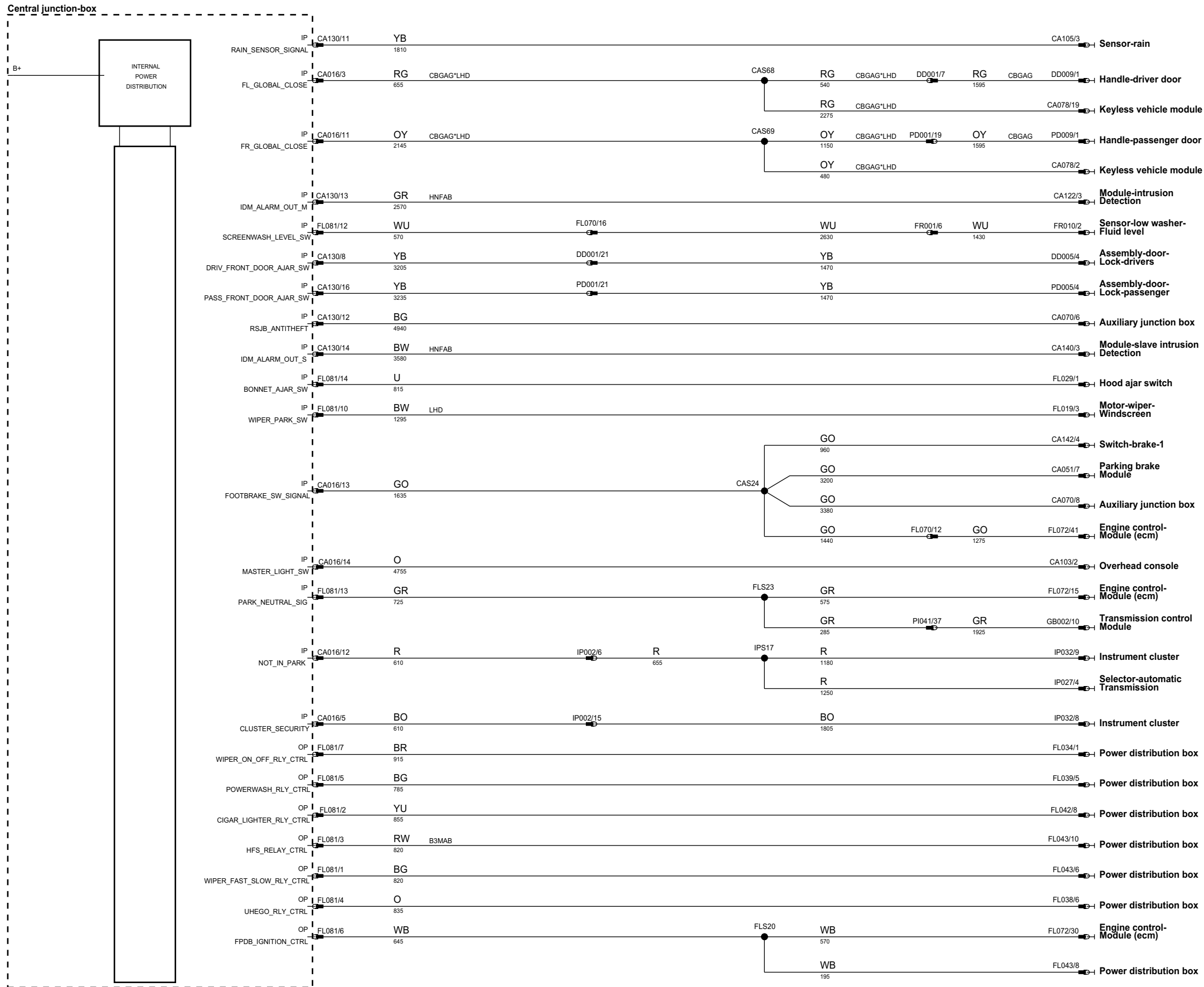
VREF Sensor/Signal Supply V
GREF Sensor/Signal Ground

HS CAN BUS High speed controller area network bus
MS CAN BUS Medium speed controller area network bus

MOST BUS Media oriented systems transport bus
D Serial and Encoded Data

VARIANT: All
VIN RANGE: All
DATE OF ISSUE: April 2006

ph6w83-70012-e-ab



B+ Battery Voltage
P Power Ground

IP Input
OP Output

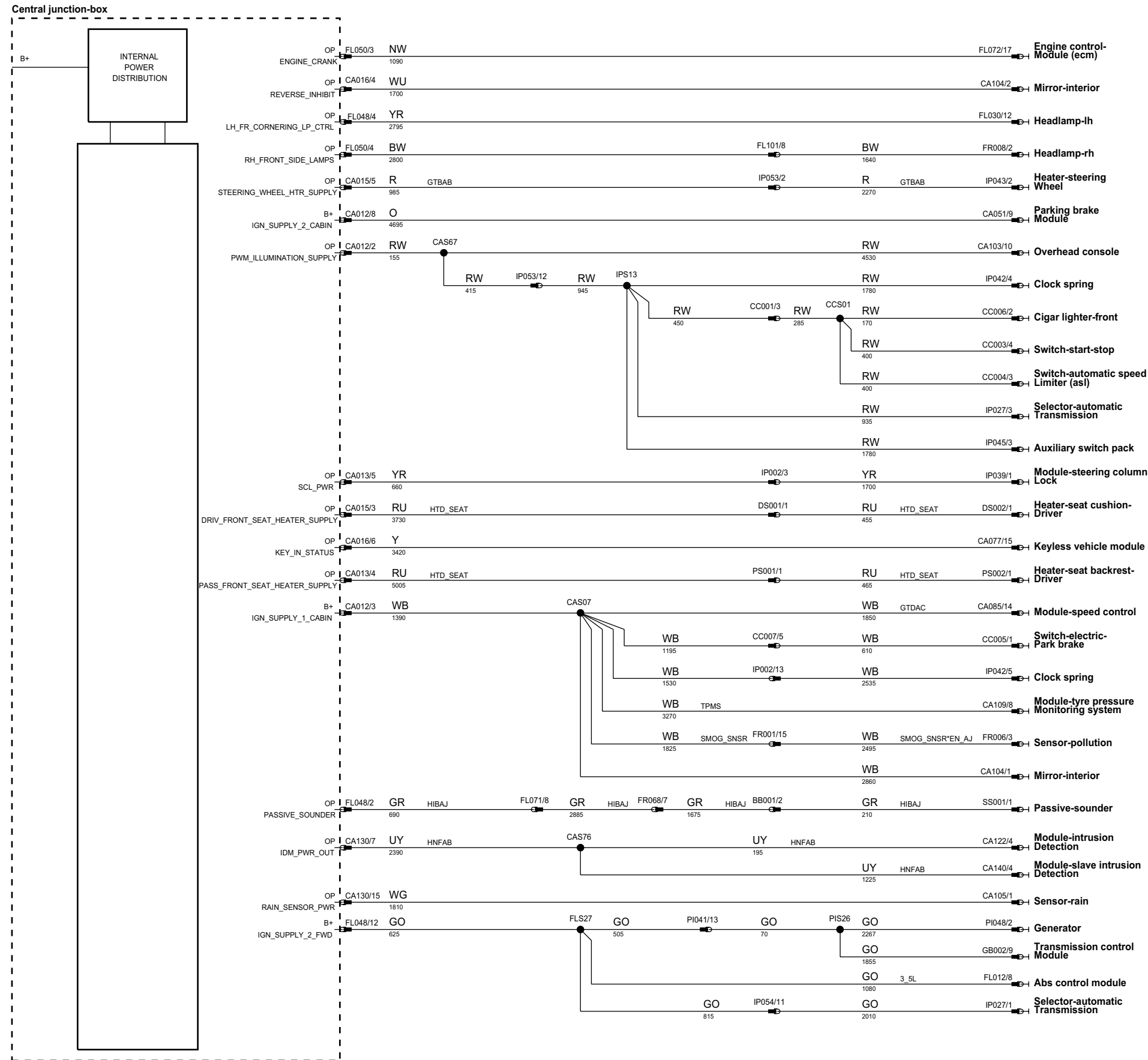
VREF Sensor/Signal Supply V
GREF Sensor/Signal Ground

HS CAN BUS High speed controller area network bus
MS CAN BUS Medium speed controller area network bus

MOST BUS Media oriented systems transport bus
D Serial and Encoded Data

VARIANT: All
VIN RANGE: All
DATE OF ISSUE: April 2006

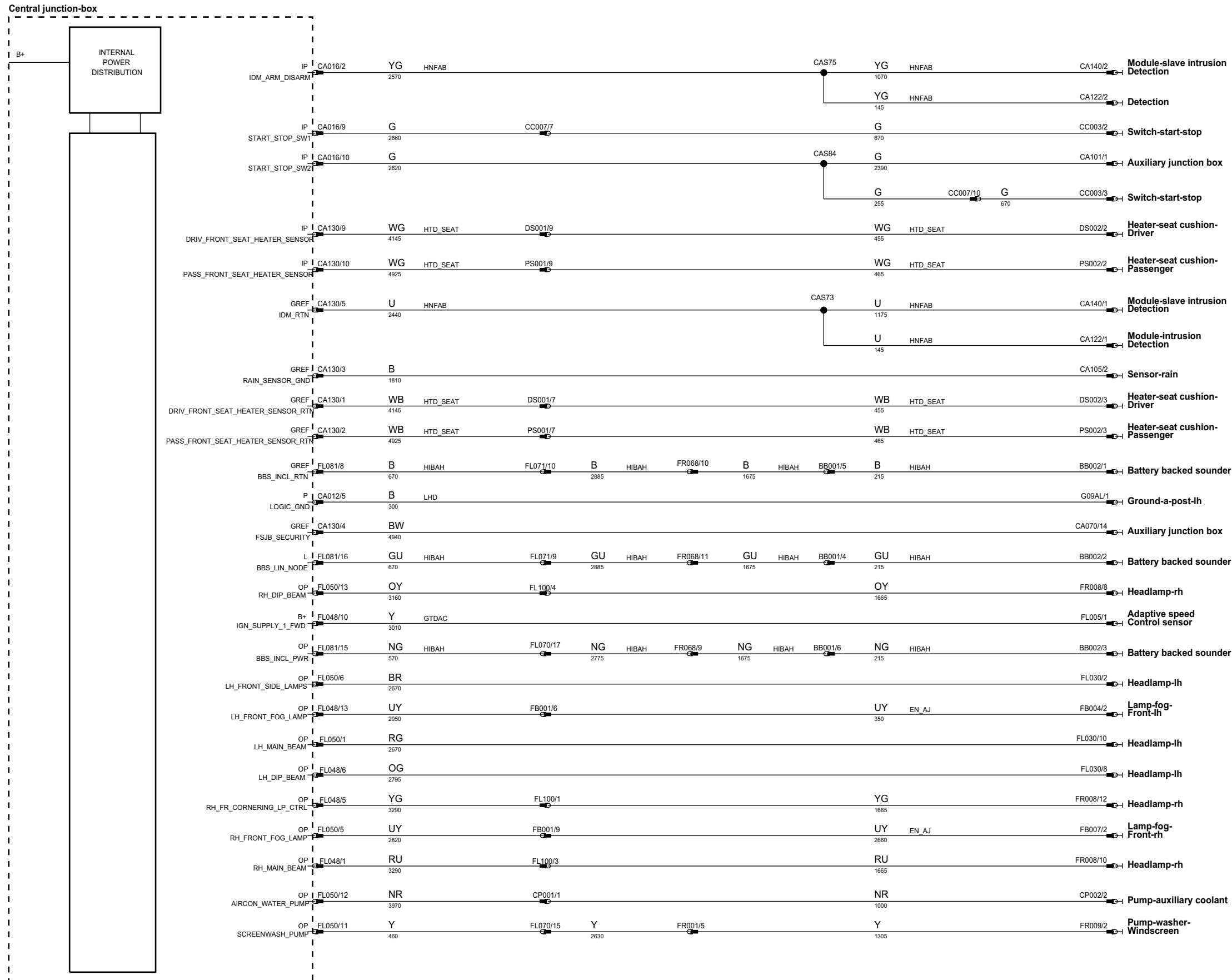
ph6w83-70012-4-ab



B+ Battery Voltage	IP Input	VREF Sensor/Signal Supply V	HS CAN BUS High speed controller area network bus	MOST BUS Media oriented systems transport bus
P Power Ground	OP Output	GRES Sensor/Signal Ground	MS CAN BUS Medium speed controller area network bus	D Serial and Encoded Data

VARIANT: All
VIN RANGE: All
DATE OF ISSUE: April 2006

ph6w83-70012-4-ab



B+ Battery Voltage
P Power Ground

IP Input
OP Output

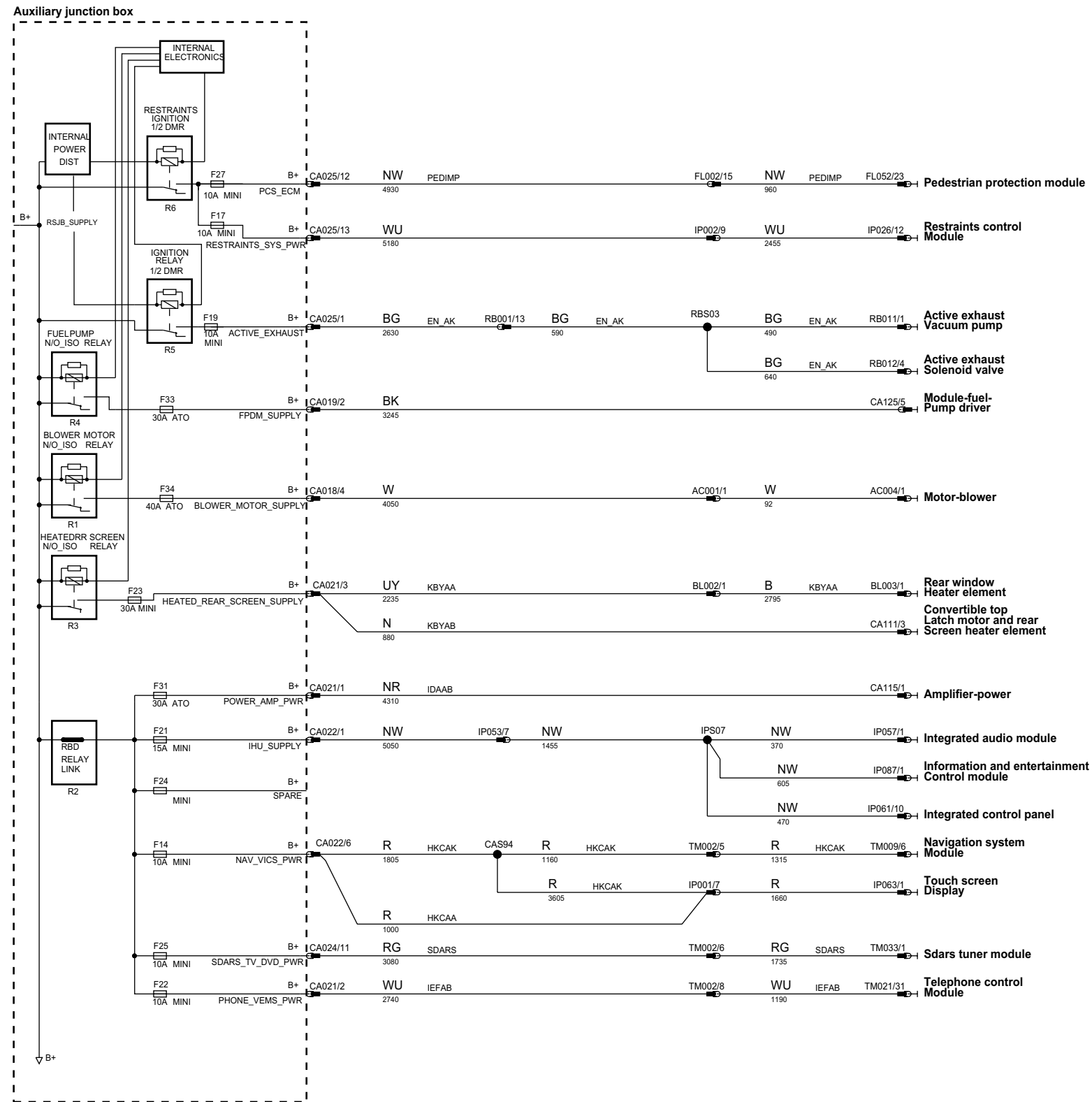
VREF Sensor/Signal Supply V
GREF Sensor/Signal Ground

HS CAN BUS High speed controller area network bus
MS CAN BUS Medium speed controller area network bus

MOST BUS Media oriented systems transport bus
D Serial and Encoded Data

VARIANT: All
VIN RANGE: All
DATE OF ISSUE: April 2006

ph6w83-70012-g-ab



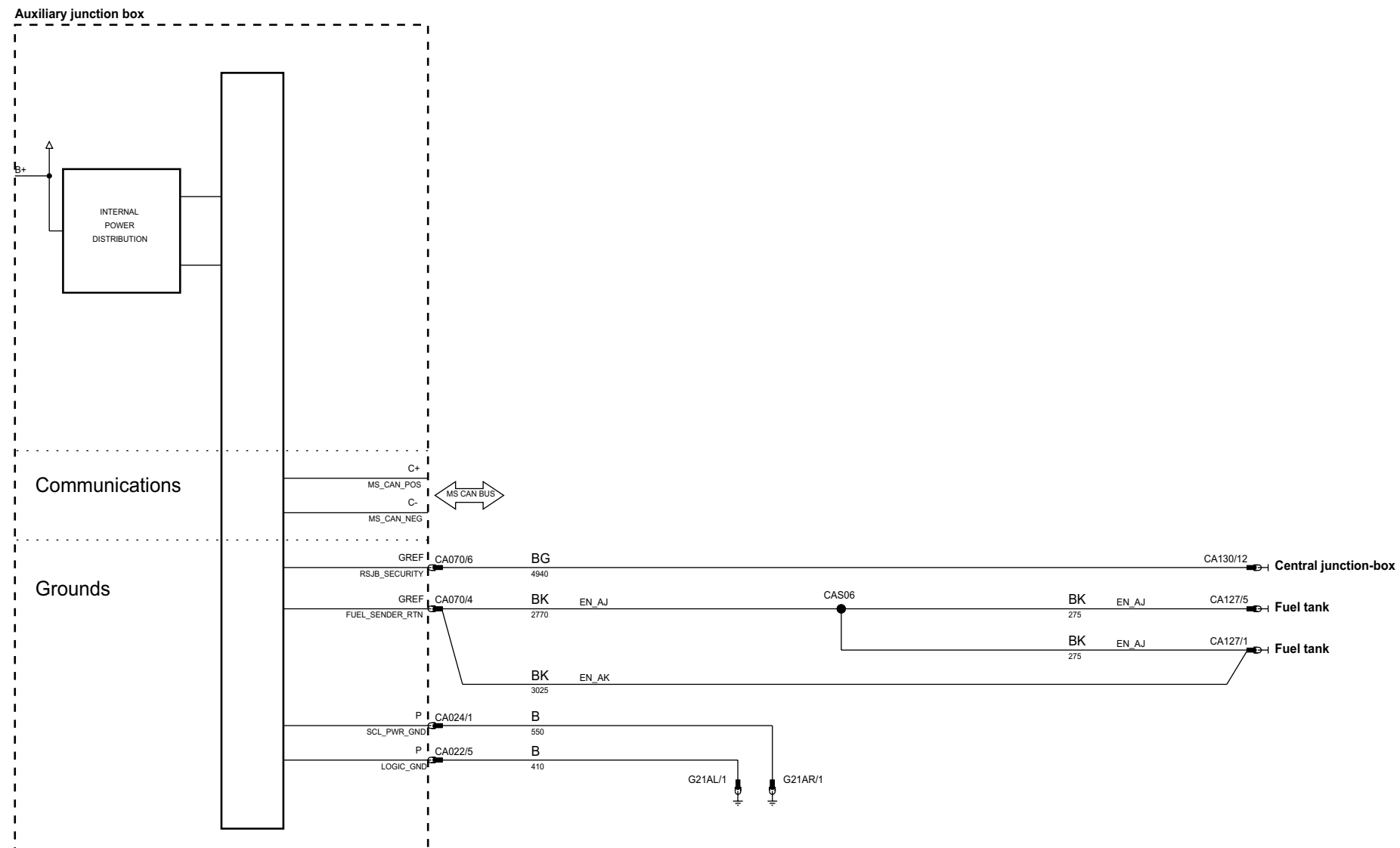
B+ Battery Voltage
P Power Ground
IP Input
OP Output
VREF Sensor/Signal Supply V
GREF Sensor/Signal Ground

HS CAN BUS High speed controller area network bus
MS CAN BUS Medium speed controller area network bus

MOST BUS Media oriented systems transport bus
D Serial and Encoded Data

VARIANT: All
VIN RANGE: All
DATE OF ISSUE: April 2006

ph6w83-70012-b-ab



B- Battery Voltage
P Power Ground

IP Input
OP Output

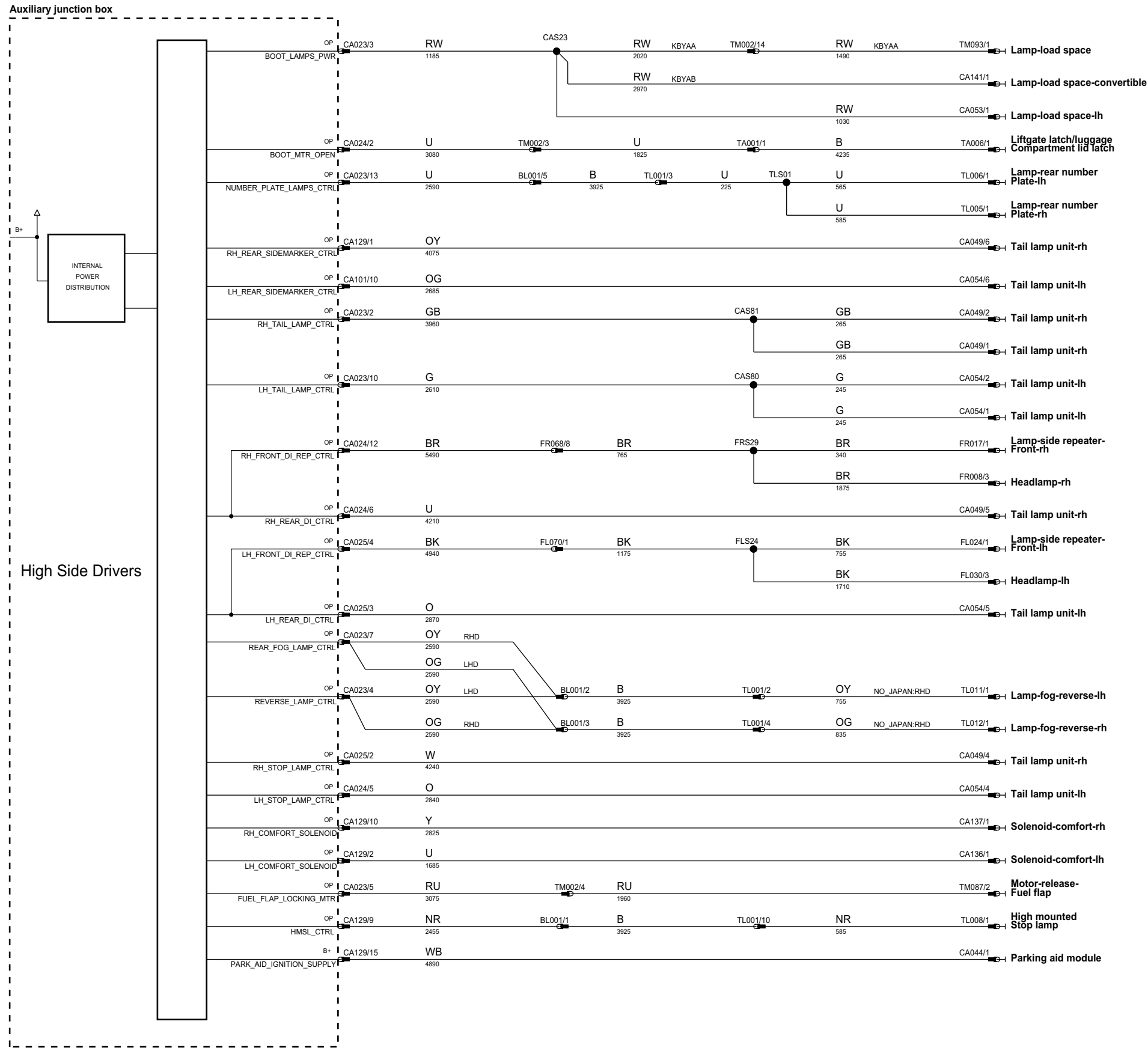
VREF Sensor/Signal Supply V
GREF Sensor/Signal Ground

HS CAN BUS High speed controller area network bus
MS CAN BUS Medium speed controller area network bus

MOST BUS Media oriented systems transport bus
D Serial and Encoded Data

VARIANT: All
VIN RANGE: All
DATE OF ISSUE: April 2006

ph6w83-70012-p-ab



B+ Battery Voltage
P Power Ground

IP Input
OP Output

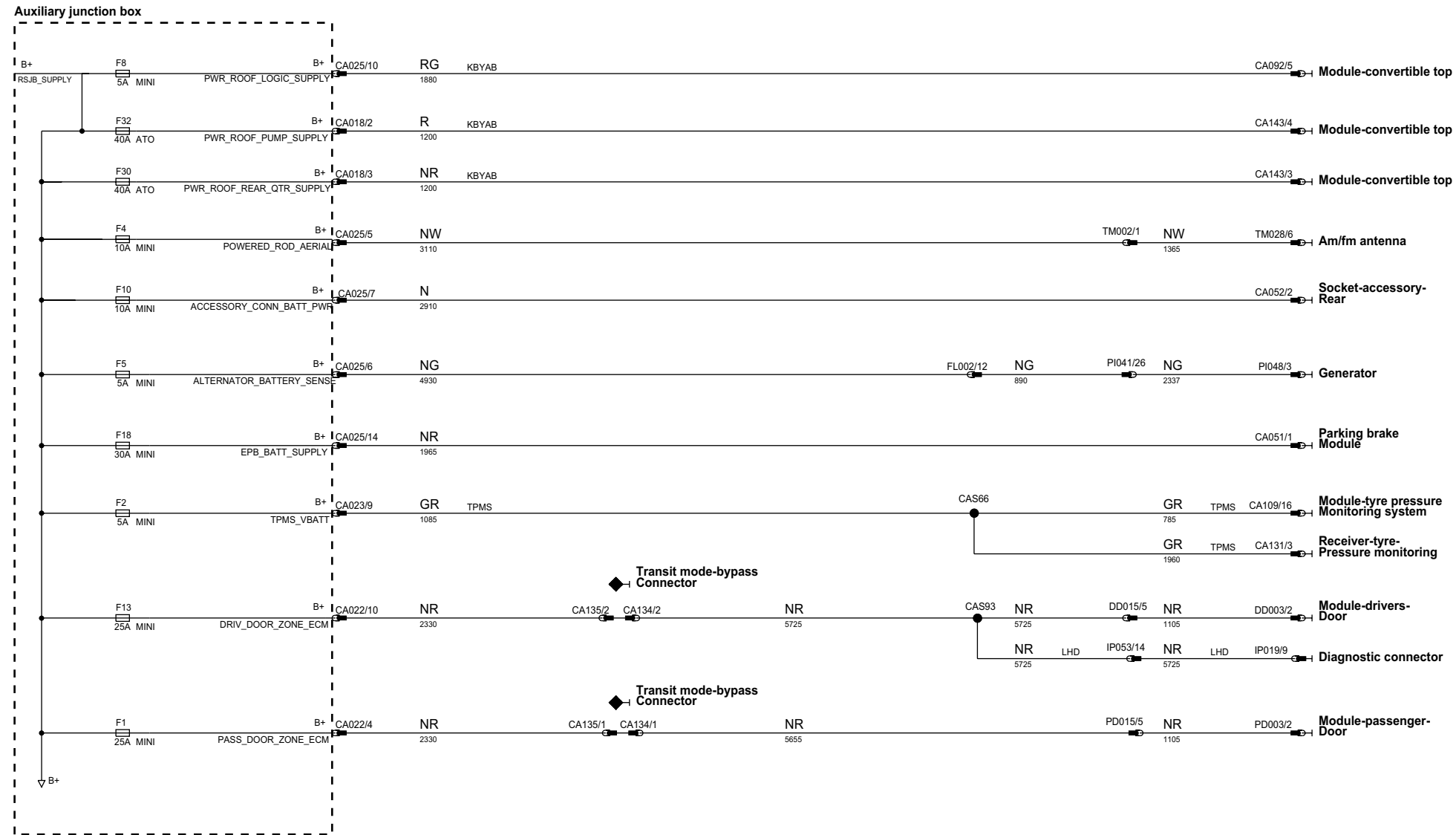
VREF Sensor/Signal Supply V
GREF Sensor/Signal Ground

HS CAN BUS High speed controller area network bus
MS CAN BUS Medium speed controller area network bus

MOST BUS Media oriented systems transport bus
D Serial and Encoded Data

VARIANT: All
VIN RANGE: All
DATE OF ISSUE: April 2006

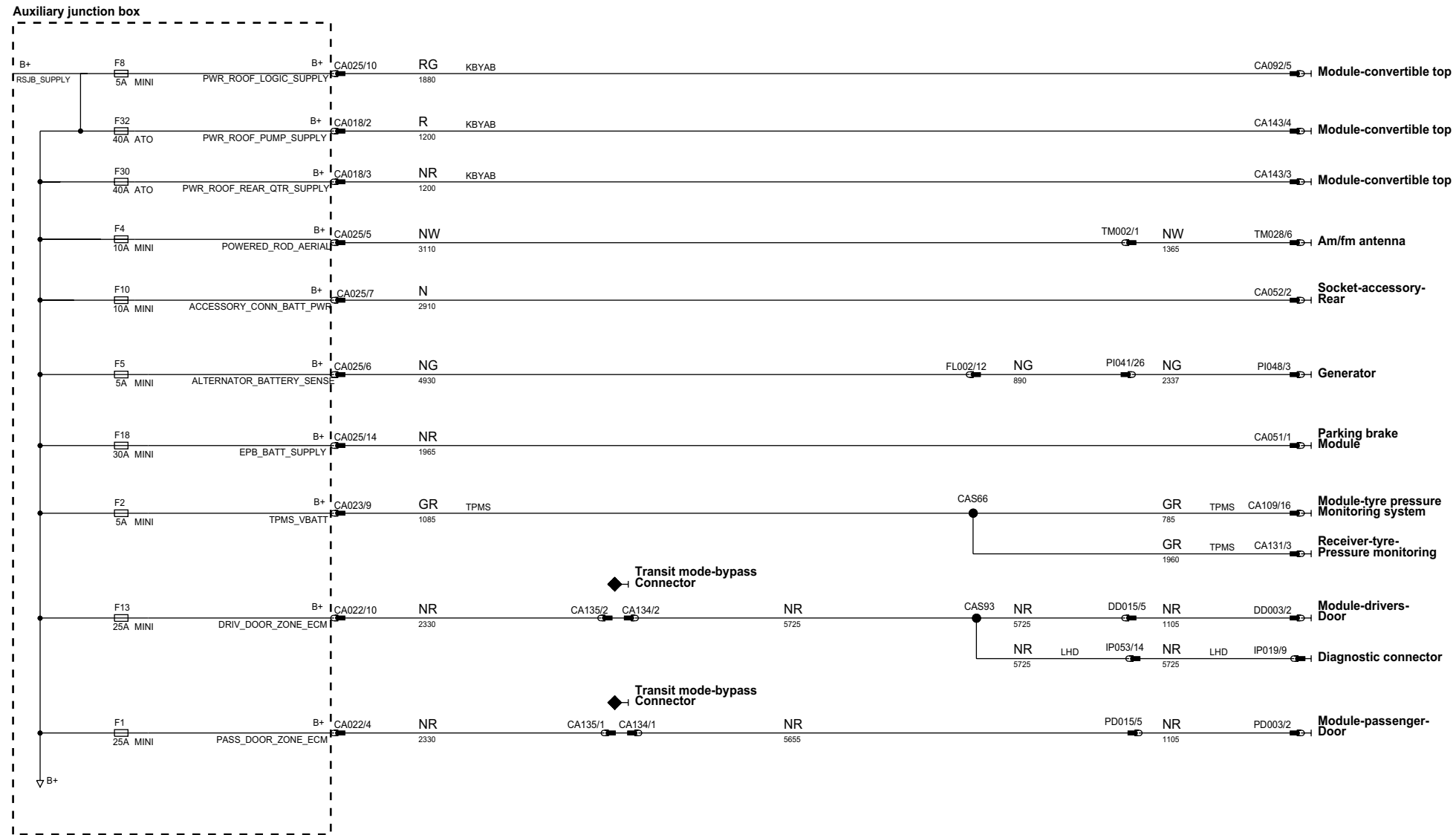
ph6w83-70012-e-ab



B+ Battery Voltage	IP Input	VREF Sensor/Signal Supply V	HS CAN BUS High speed controller area network bus	MOST BUS Media oriented systems transport bus	VARIANT: All
P Power Ground	OP Output	GRES Sensor/Signal Ground	MS CAN BUS Medium speed controller area network bus	D Serial and Encoded Data	VIN RANGE: All
					DATE OF ISSUE: April 2006

x

ph6w83-70012-e-ab



B+ Battery Voltage
P Power Ground

IP Input
OP Output

VREF Sensor/Signal Supply V
GREF Sensor/Signal Ground

HS CAN BUS High speed controller area network bus
MS CAN BUS Medium speed controller area network bus

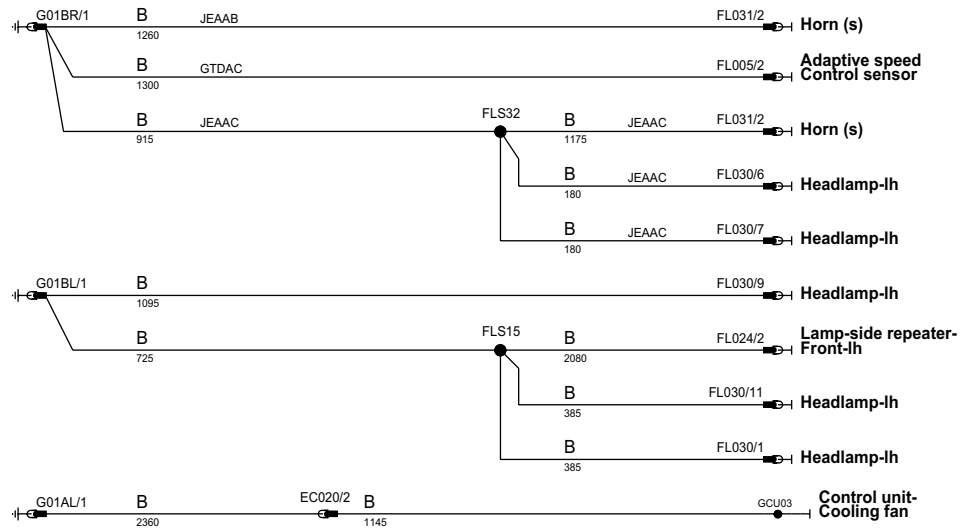
MOST BUS Media oriented systems transport bus
D Serial and Encoded Data

VARIANT: All
VIN RANGE: All
DATE OF ISSUE: April 2006

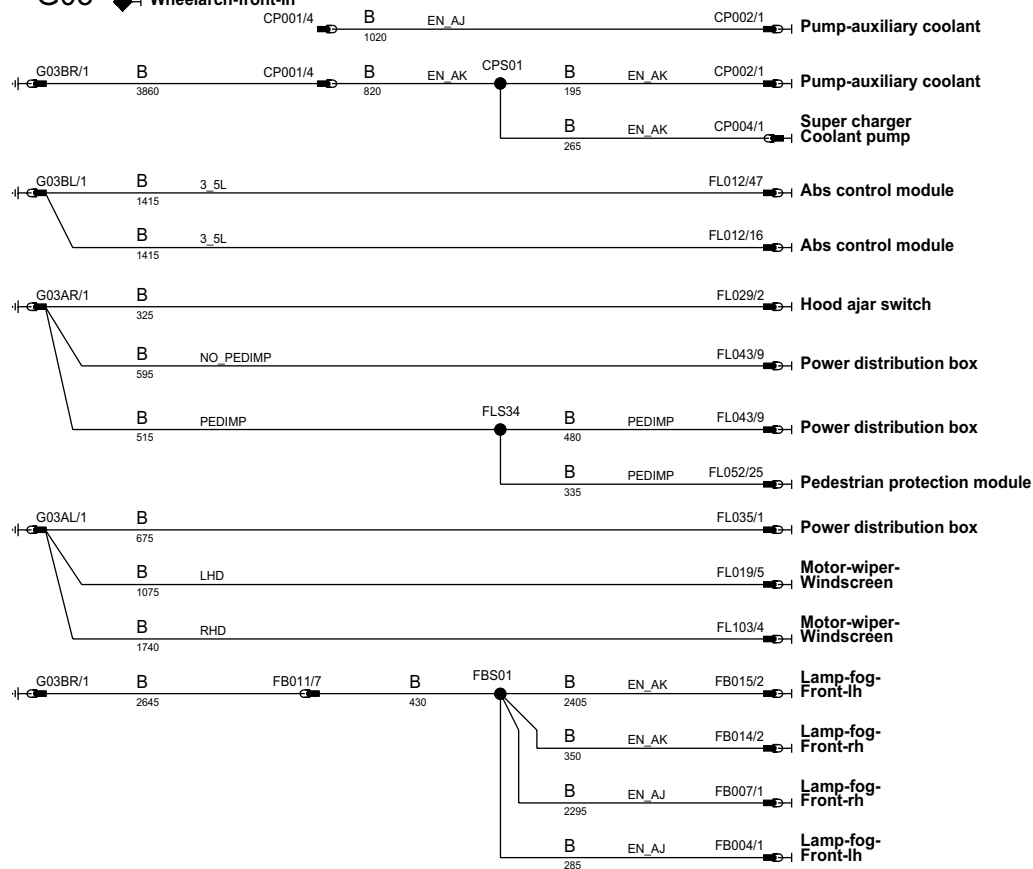
x

ph6w83-70012-a-ab

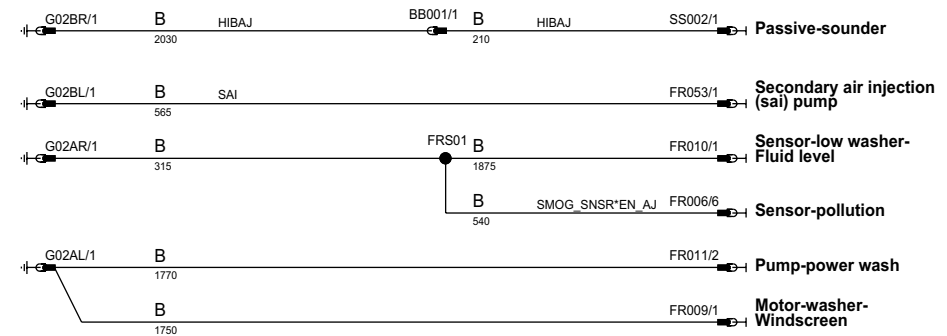
G01 ◆ Headlamp-lh



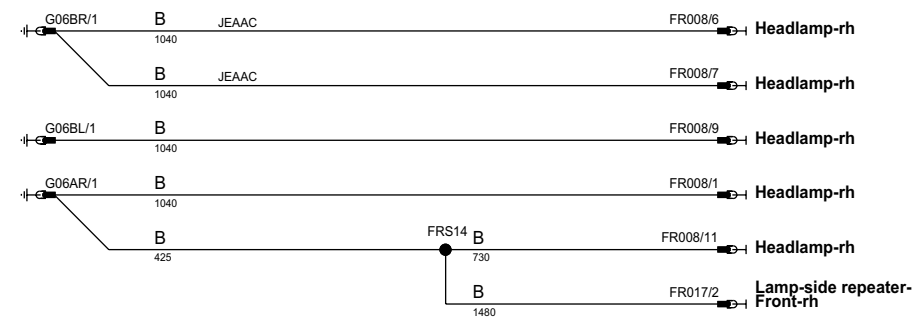
G03 ◆ Wheelarch-front-lh



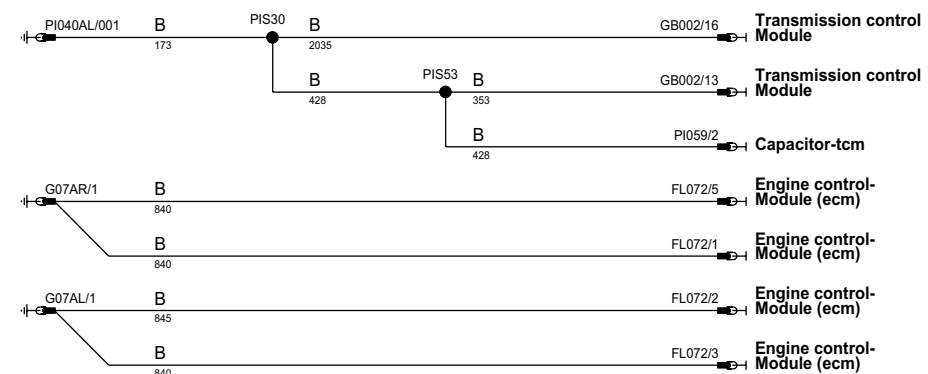
G02 ◆ Headlamp-rh



G06 ◆ Longitudinal-front-rh



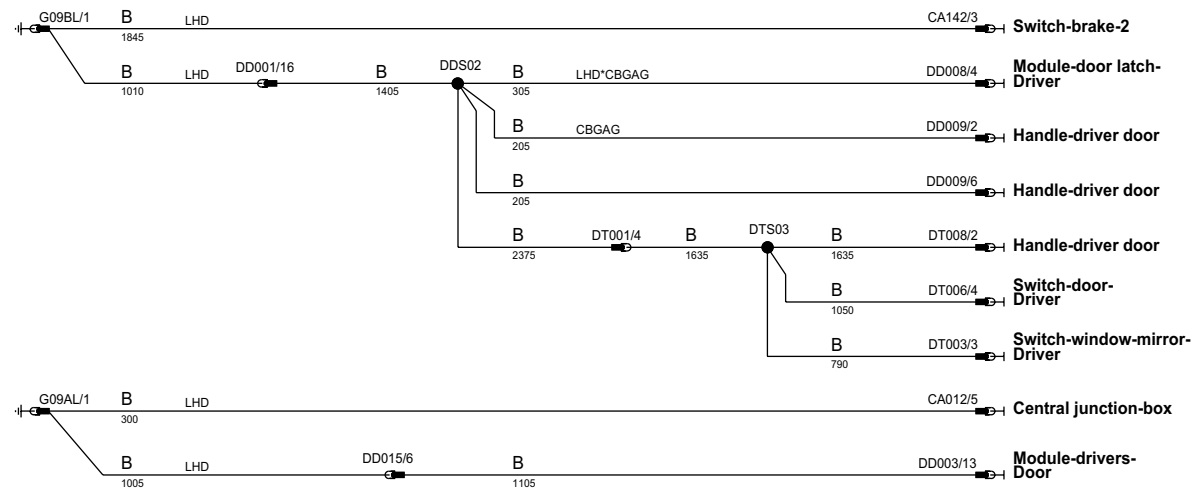
G07 ◆ Engine management system



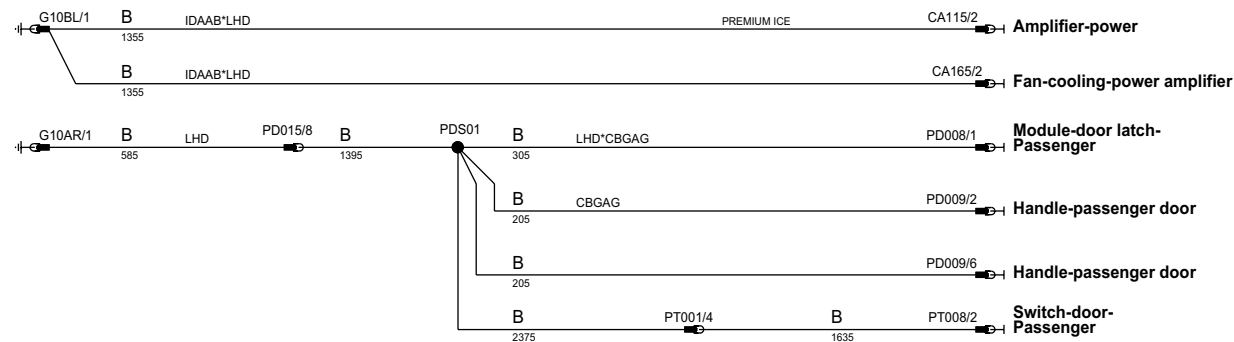
B- Battery Voltage	IP Input	VREF Sensor/Signal Supply V	HS CAN BUS High speed controller area network bus	MOST BUS Media oriented systems transport bus	VARIANT: All
P Power Ground	OP Output	GRES Sensor/Signal Ground	MS CAN BUS Medium speed controller area network bus	D Serial and Encoded Data	VIN RANGE: All
					DATE OF ISSUE: April 2006

ph6w83-70012-4-ab

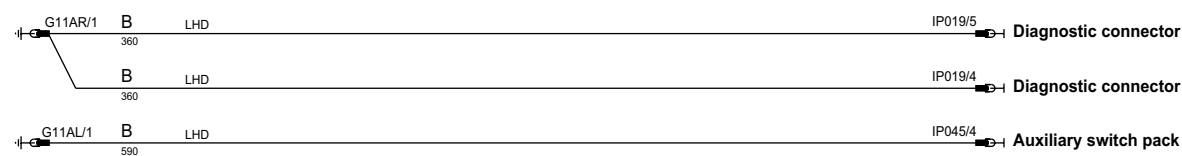
G09 (LHD) ◆ Lh 'a' post



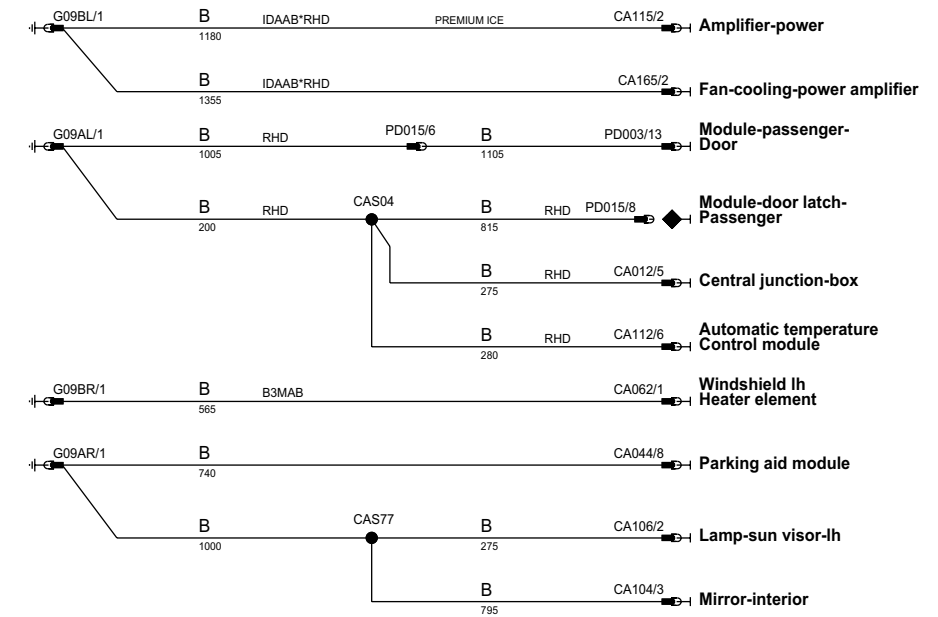
G10 (LHD) ◆ Rh 'a' post



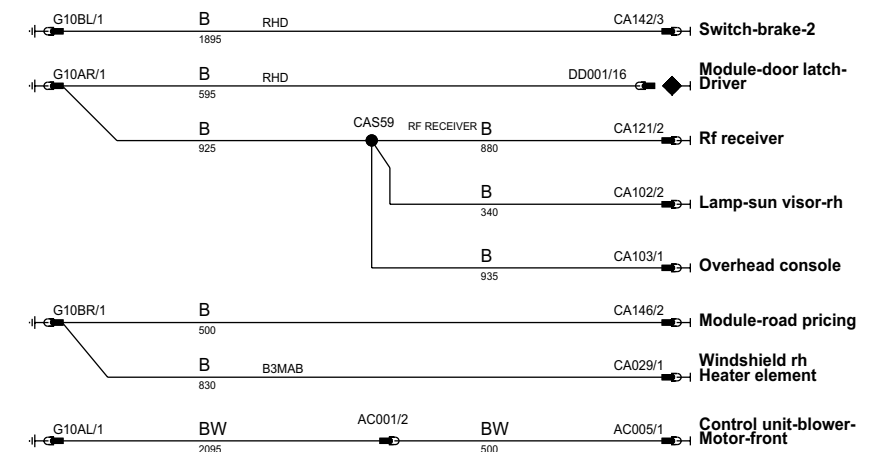
G11 ◆ Beam-instrument panel-lh



G09 (RHD) ◆ Lh 'a' post



G10 (RHD) ◆ Rh 'a' post

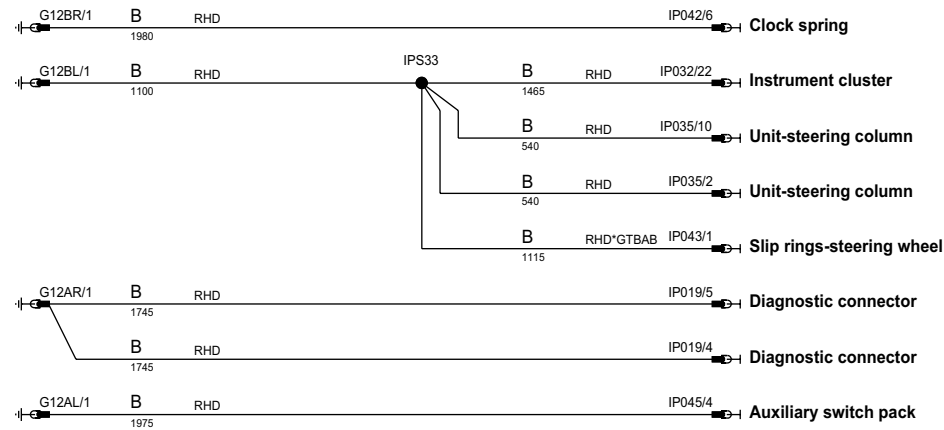


B - Battery Voltage	IP Input	VREF Sensor/Signal Supply V	HS CAN BUS High speed controller area network bus	MOST BUS Media oriented systems transport bus
P Power Ground	OP Output	GRES Sensor/Signal Ground	MS CAN BUS Medium speed controller area network bus	D Serial and Encoded Data

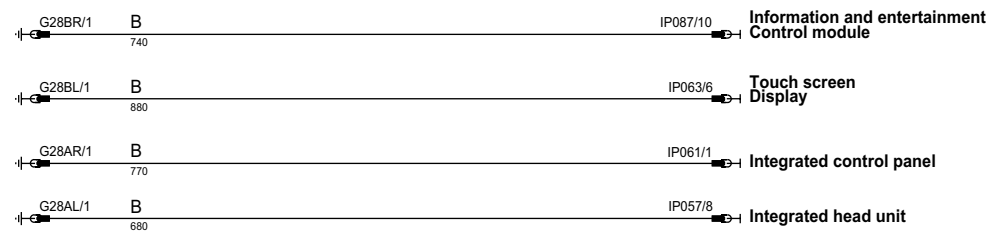
VARIANT: All
VIN RANGE: All
DATE OF ISSUE: April 2006

ph6w83-70012-n-ab

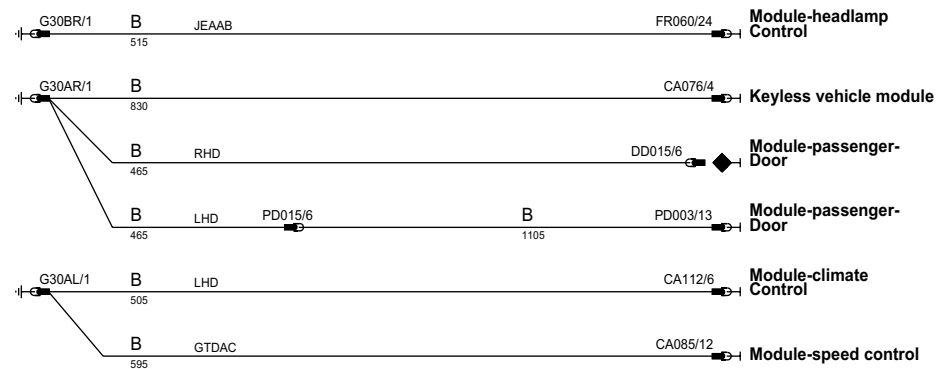
G12 ◆ Beam-instrument panel-rh



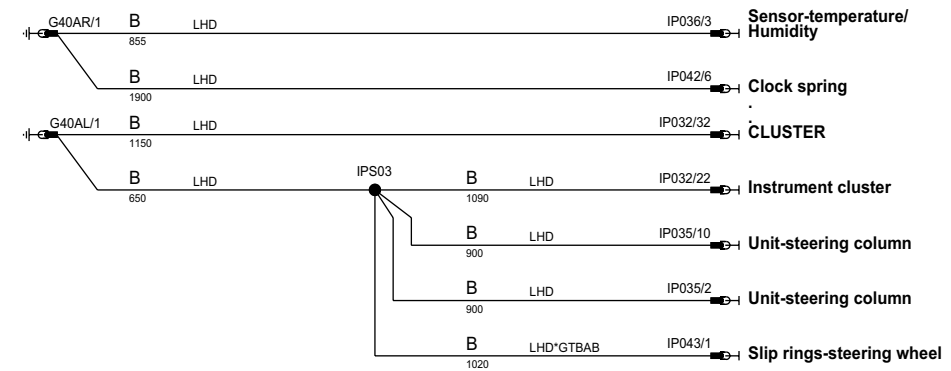
G28 ◆ Instrument panel-center



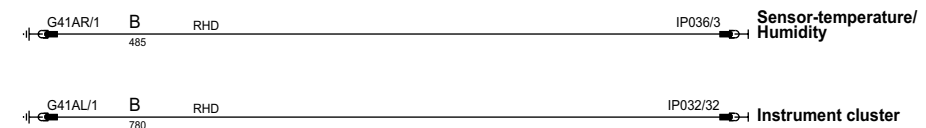
G30 ◆ Rh 'a' post



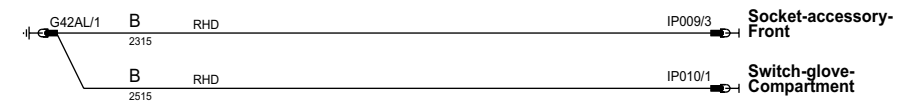
G40 ◆ Instrument panel-left-upper



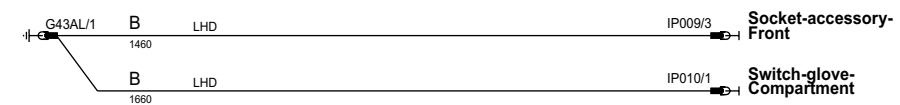
G41 ◆ Instrument panel-right-upper



G42 ◆ Instrument panel-left-lower



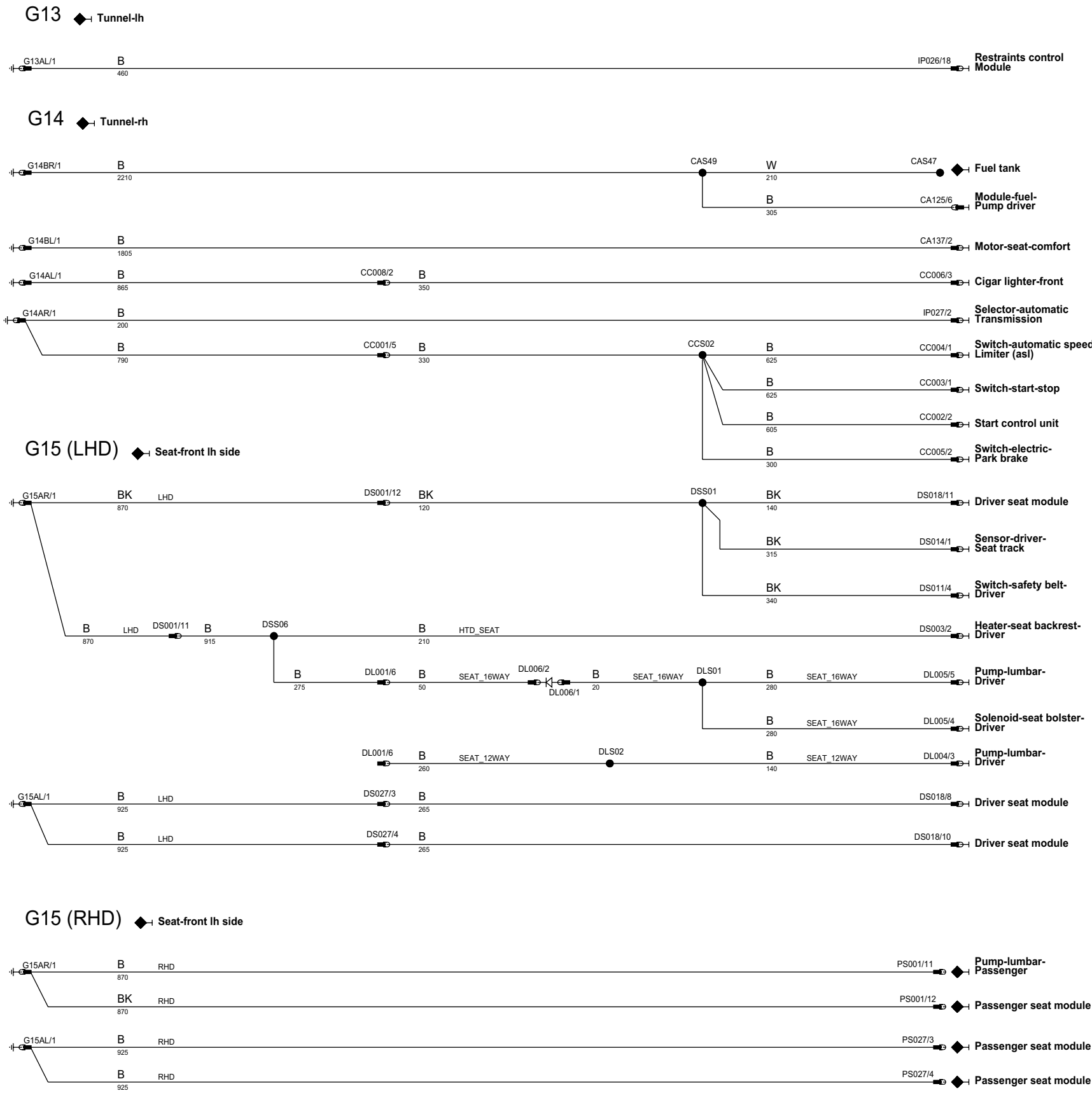
G43 ◆ Instrument panel-right-lower



B - Battery Voltage	IP Input	VREF Sensor/Signal Supply V	HS CAN BUS High speed controller area network bus	MOST BUS Media oriented systems transport bus	VARIANT: All
P Power Ground	OP Output	GRES Sensor/Signal Ground	MS CAN BUS Medium speed controller area network bus	D Serial and Encoded Data	VIN RANGE: All
					DATE OF ISSUE: April 2006

x

ph6w83-700124-ab



B- Battery Voltage
P Power Ground

IP Input
OP Output

VREF Sensor/Signal Supply V
GREF Sensor/Signal Ground

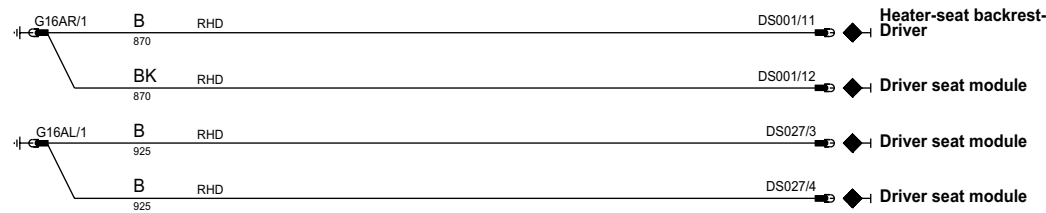
HS CAN BUS High speed controller area network bus
MS CAN BUS Medium speed controller area network bus

MOST BUS Media oriented systems transport bus
D Serial and Encoded Data

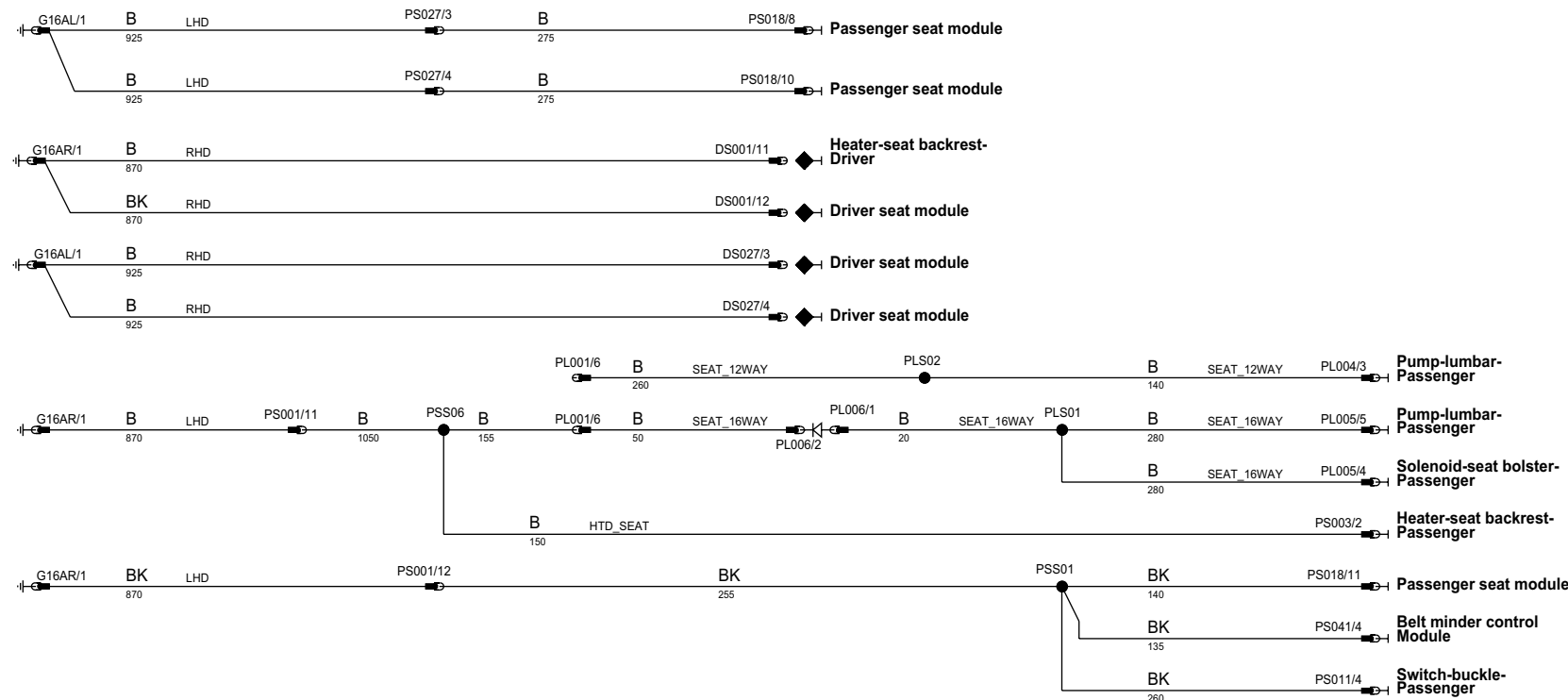
VARIANT: All
VIN RANGE: All
DATE OF ISSUE: April 2006

ph6w83-70012-b-ab

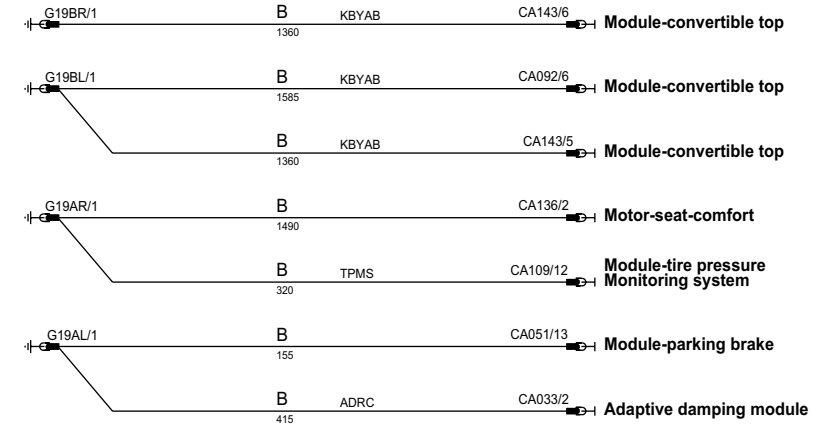
G16 (RHD) ◆ Seat-front rh side



G16 (LHD) ◆ Seat-front rh side



G19 ◆ Seatback-rear-lh



B- Battery Voltage
P Power Ground

IP Input
OP Output

VREF Sensor/Signal Supply V
GREF Sensor/Signal Ground

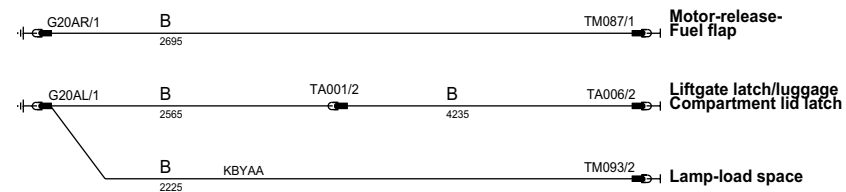
HS CAN BUS High speed controller area network bus
MS CAN BUS Medium speed controller area network bus

MOST BUS Media oriented systems transport bus
D Serial and Encoded Data

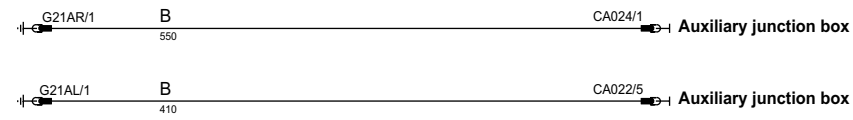
VARIANT: All
VIN RANGE: All
DATE OF ISSUE: April 2006

ph6w83-70012-r-ab

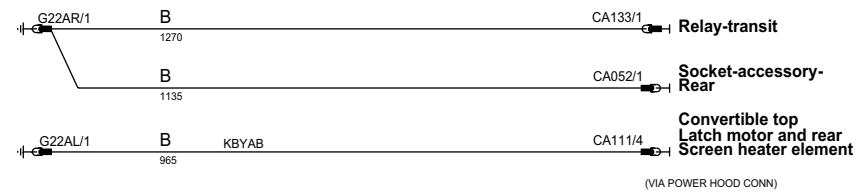
G20 ♦ Seatback-rear-rh



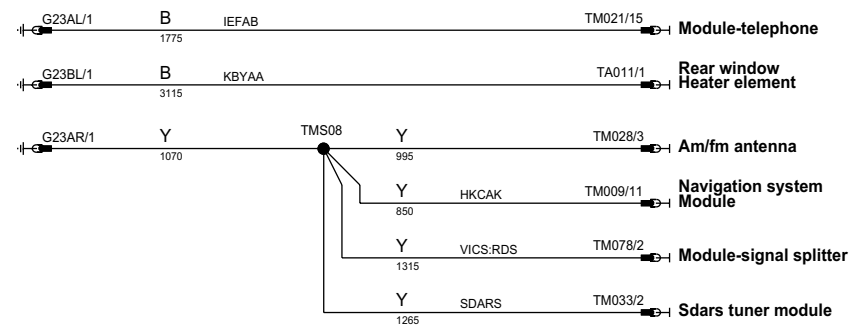
G21 ♦ Seatback-rear-center



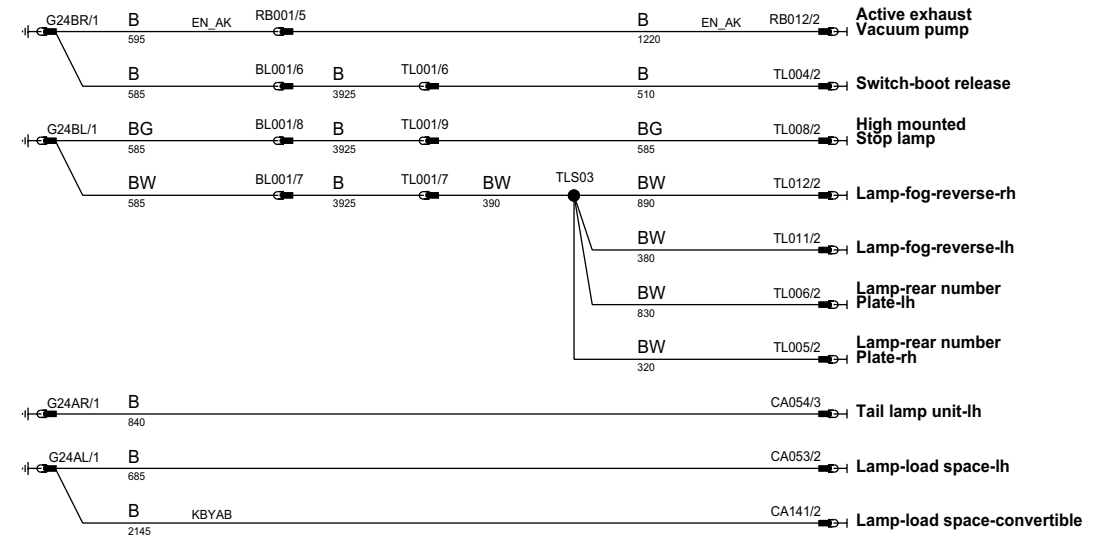
G22 ♦ Wheelarch-rear-lh



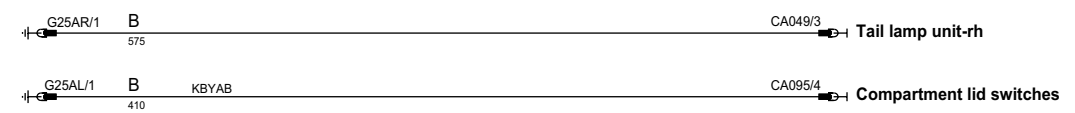
G23 ♦ Wheelarch-rear-rh



G24 ♦ Lamp-tail-Lh



G25 ♦ Lamp-tail-Lh



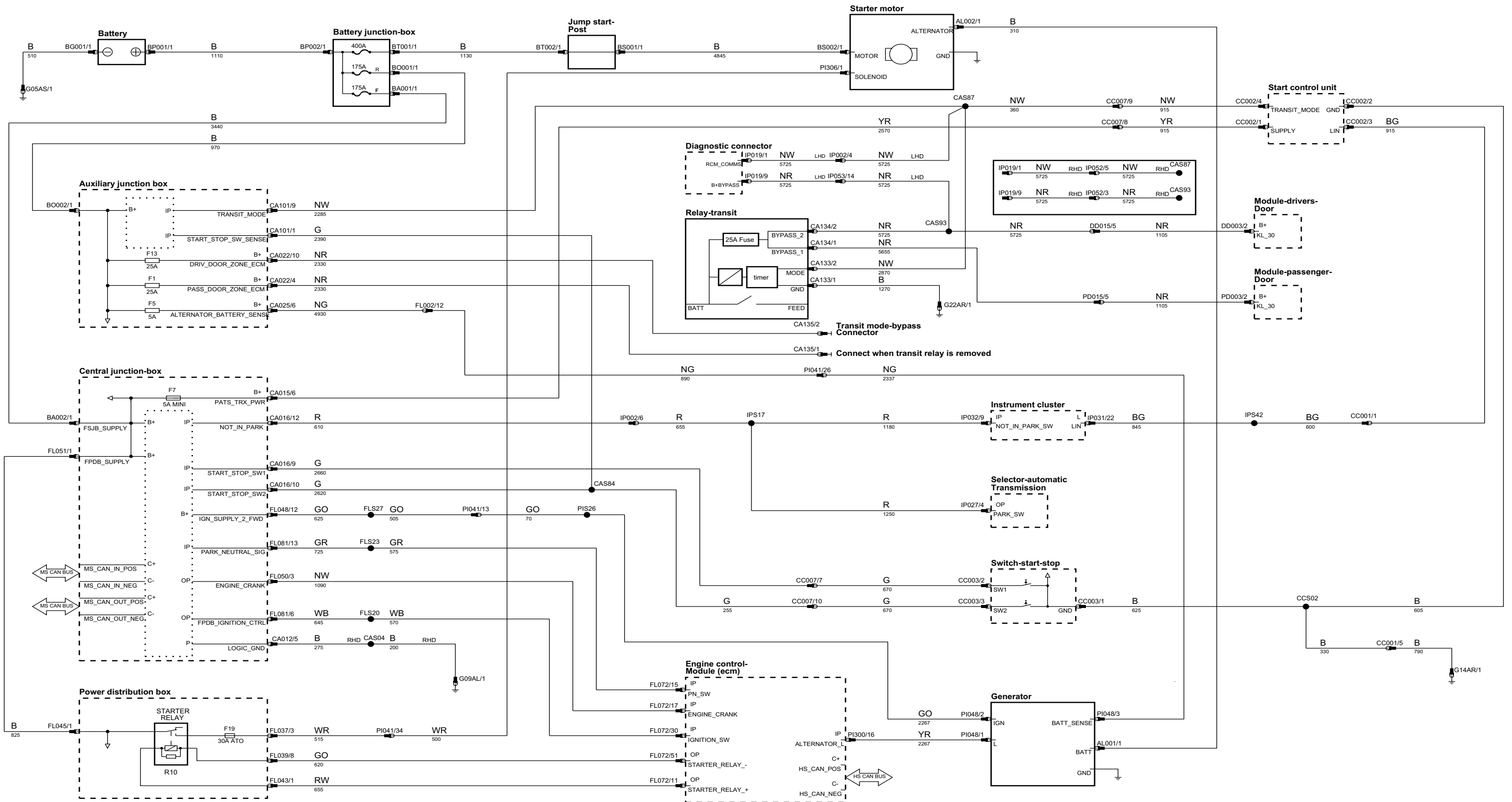
G44 ♦ Seatback-rear-center



B- Battery Voltage	IP Input	VREF Sensor/Signal Supply V	HS CAN BUS High speed controller area network bus	MOST BUS Media oriented systems transport bus	VARIANT: All
P Power Ground	OP Output	GRES Sensor/Signal Ground	MS CAN BUS Medium speed controller area network bus	D Serial and Encoded Data	VIN RANGE: All
					DATE OF ISSUE: April 2006

x

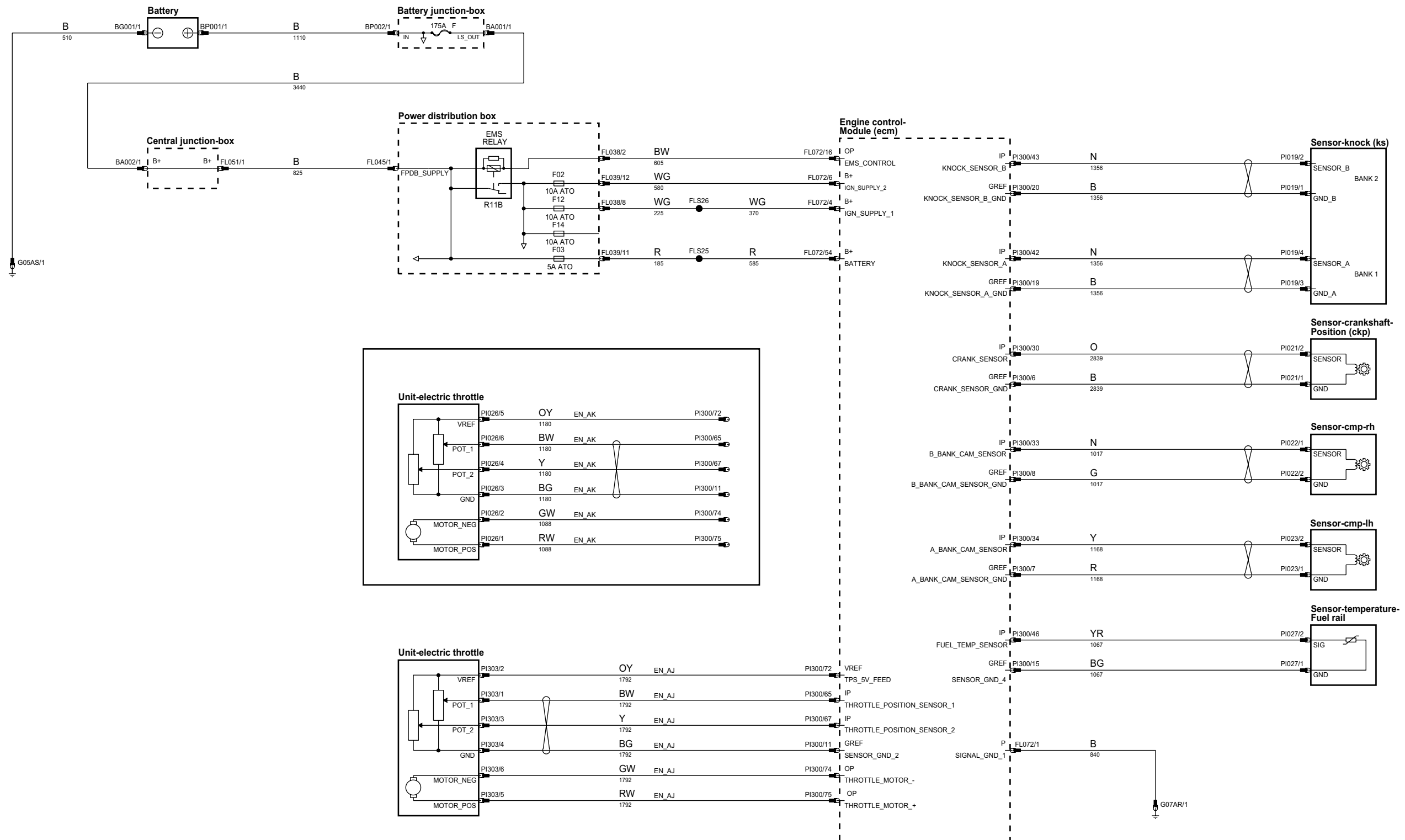
463-70020-a2-ab



B- Battery Voltage	IP Input	VREF Sensor/Signal Supply V	HS CAN BUS High speed controller area network bus	MOST BUS Media oriented systems transport bus
P Power Ground	OP Output	GRF Sensor/Signal Ground	MS CAN BUS Medium speed controller area network bus	D Serial and Encoded Data

VARIANT: All
 VIN RANGE: All
 DATE OF ISSUE: April 2006

ph6w83-70035-a3-ab



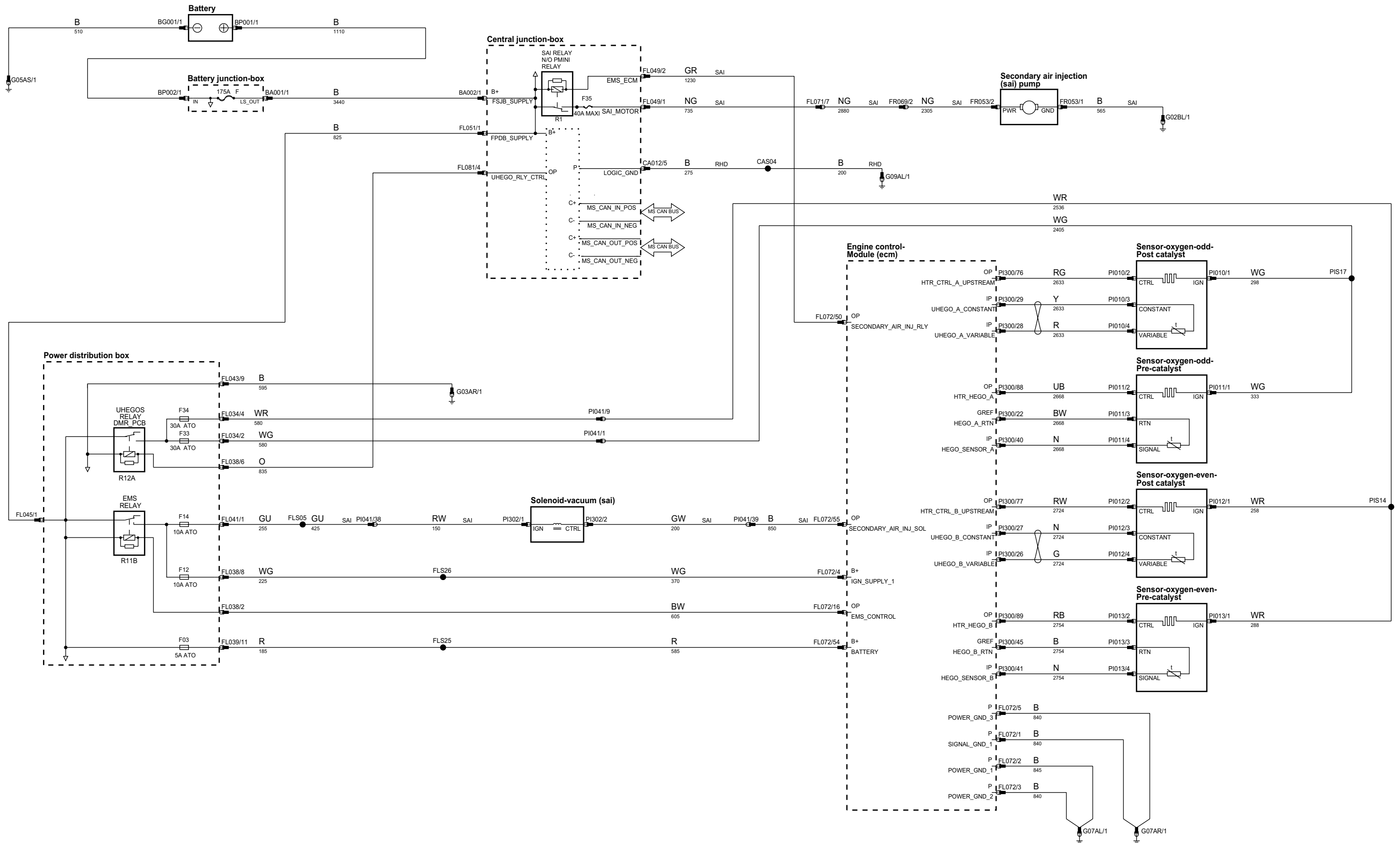
B- Battery Voltage
P Power Ground
IP Input
OP Output
VREF Sensor/Signal Supply V
GREF Sensor/Signal Ground

HS CAN BUS High speed controller area network bus
MS CAN BUS Medium speed controller area network bus

MOST BUS Media oriented systems transport bus
D Serial and Encoded Data

VARIANT: All
VIN RANGE: All
DATE OF ISSUE: April 2006

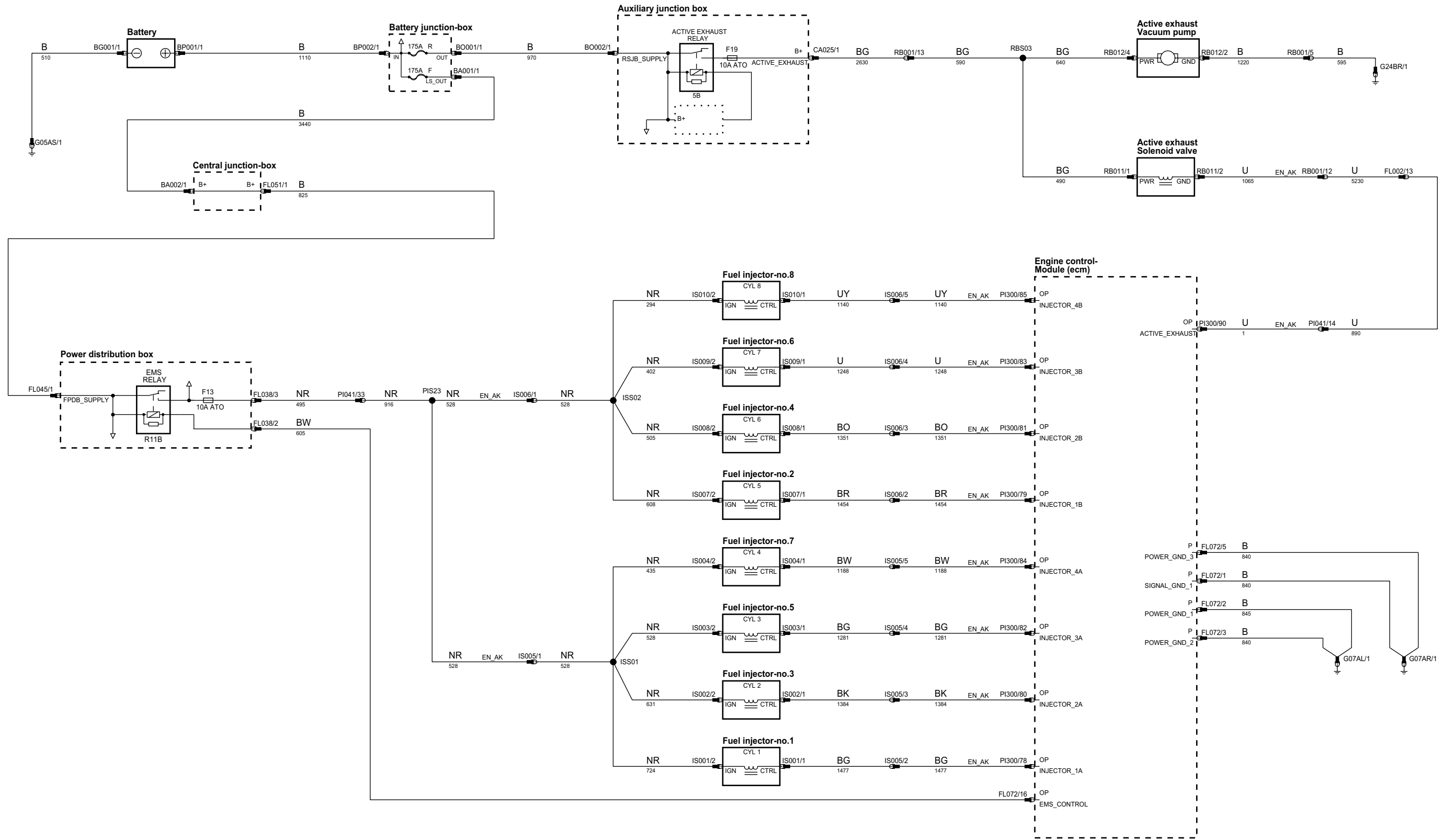
ph6w83-70035-b2-ab



B- Battery Voltage	IP Input	VREF Sensor/Signal Supply V	HS CAN BUS High speed controller area network bus	MOST BUS Media oriented systems transport bus
P Power Ground	OP Output	GREF Sensor/Signal Ground	MS CAN BUS Medium speed controller area network bus	D Serial and Encoded Data

VARIANT: All
VIN RANGE: All
DATE OF ISSUE: April 2006

ph6w83-70035-e-ab



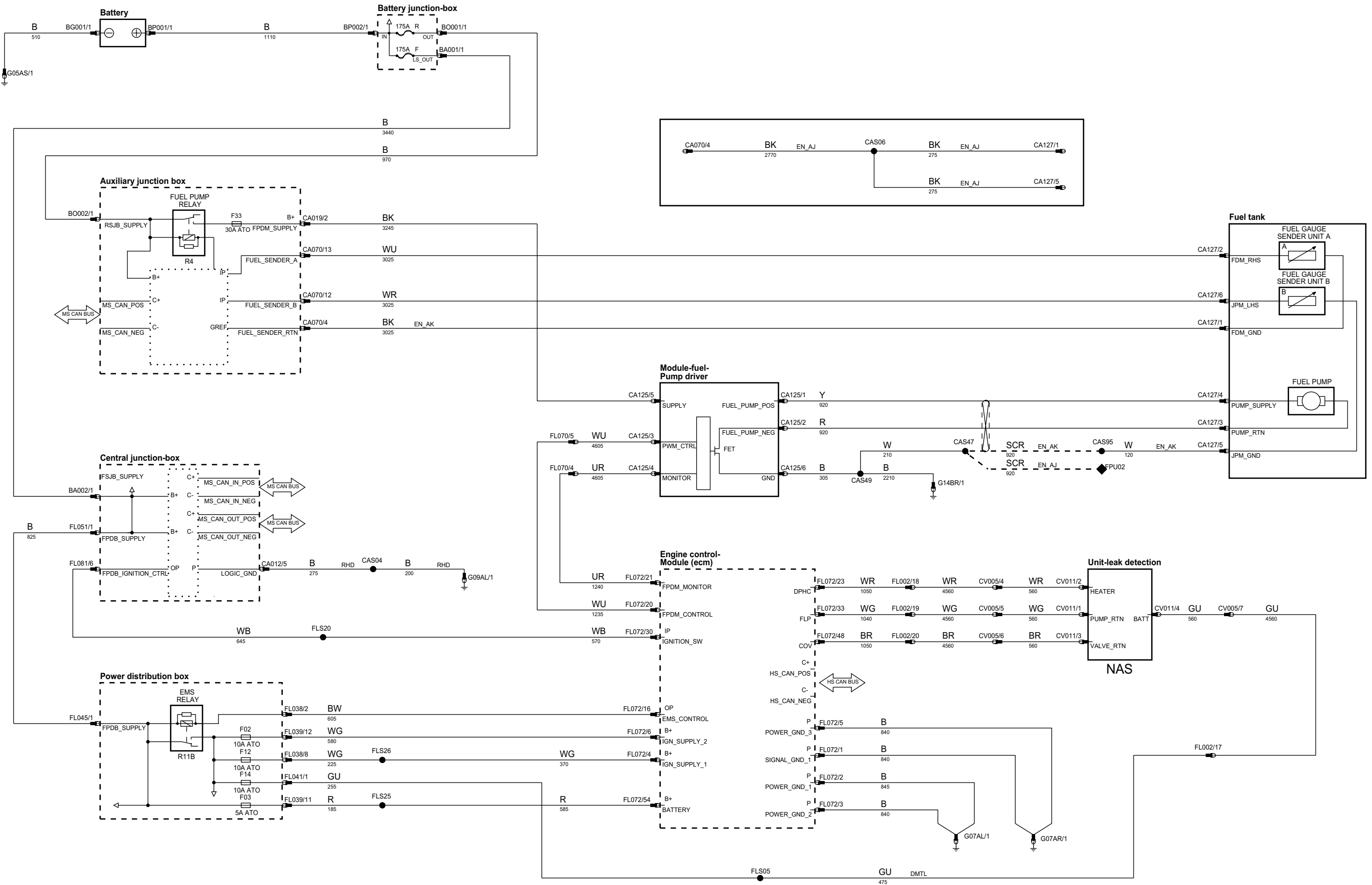
B- Battery Voltage
 P Power Ground
 IP Input
 OP Output
 VREF Sensor/Signal Supply V
 GREF Sensor/Signal Ground

HS CAN BUS High speed controller area network bus
 MS CAN BUS Medium speed controller area network bus

MOST BUS Media oriented systems transport bus
 D Serial and Encoded Data

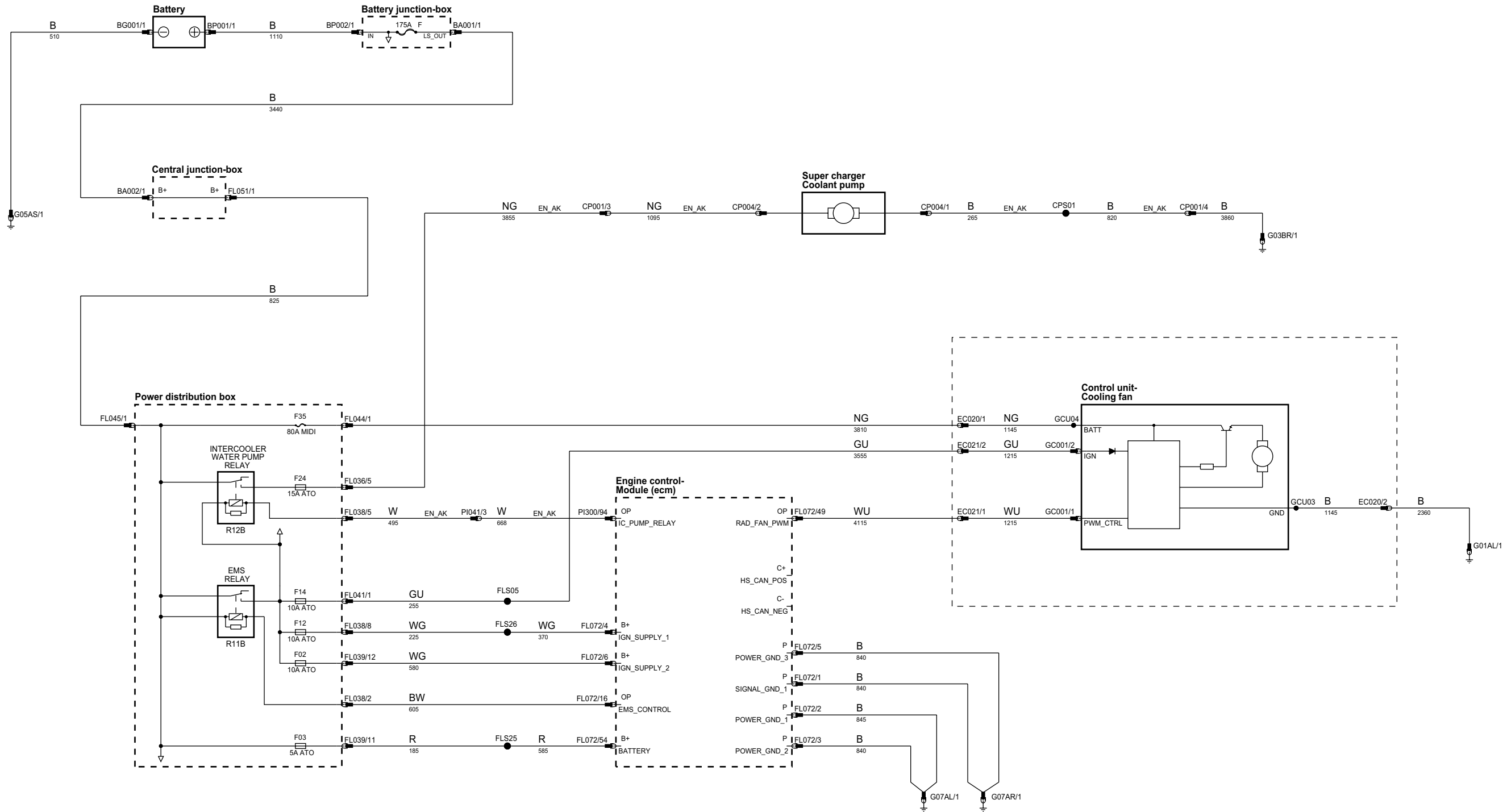
VARIANT: Yes
 VIN RANGE: All
 DATE OF ISSUE: April 2006

ph6w83-70035-02-ab



B- Battery Voltage	IP Input	VREF Sensor/Signal Supply V	HS CAN BUS High speed controller area network bus	MOST BUS Media oriented systems transport bus	VARIANT: All
P Power Ground	OP Output	GREF Sensor/Signal Ground	MS CAN BUS Medium speed controller area network bus	D Serial and Encoded Data	VIN RANGE: All
					DATE OF ISSUE: April 2006

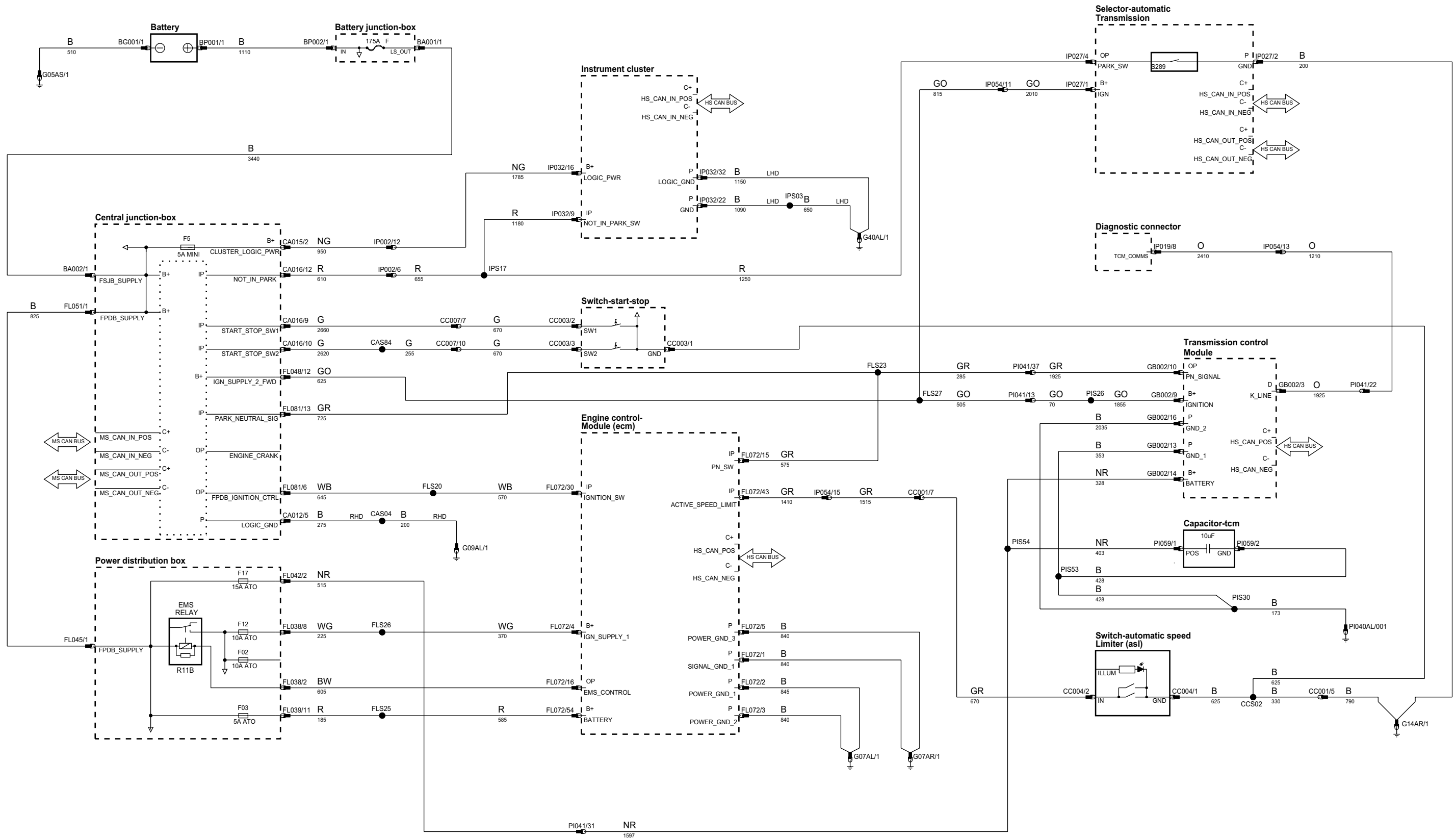
ph6w83-70033-a2-ab



B - Battery Voltage	IP Input	VREF Sensor/Signal Supply V	HS CAN BUS High speed controller area network bus	MOST BUS Media oriented systems transport bus
P Power Ground	OP Output	GRES Sensor/Signal Ground	MS CAN BUS Medium speed controller area network bus	D Serial and Encoded Data

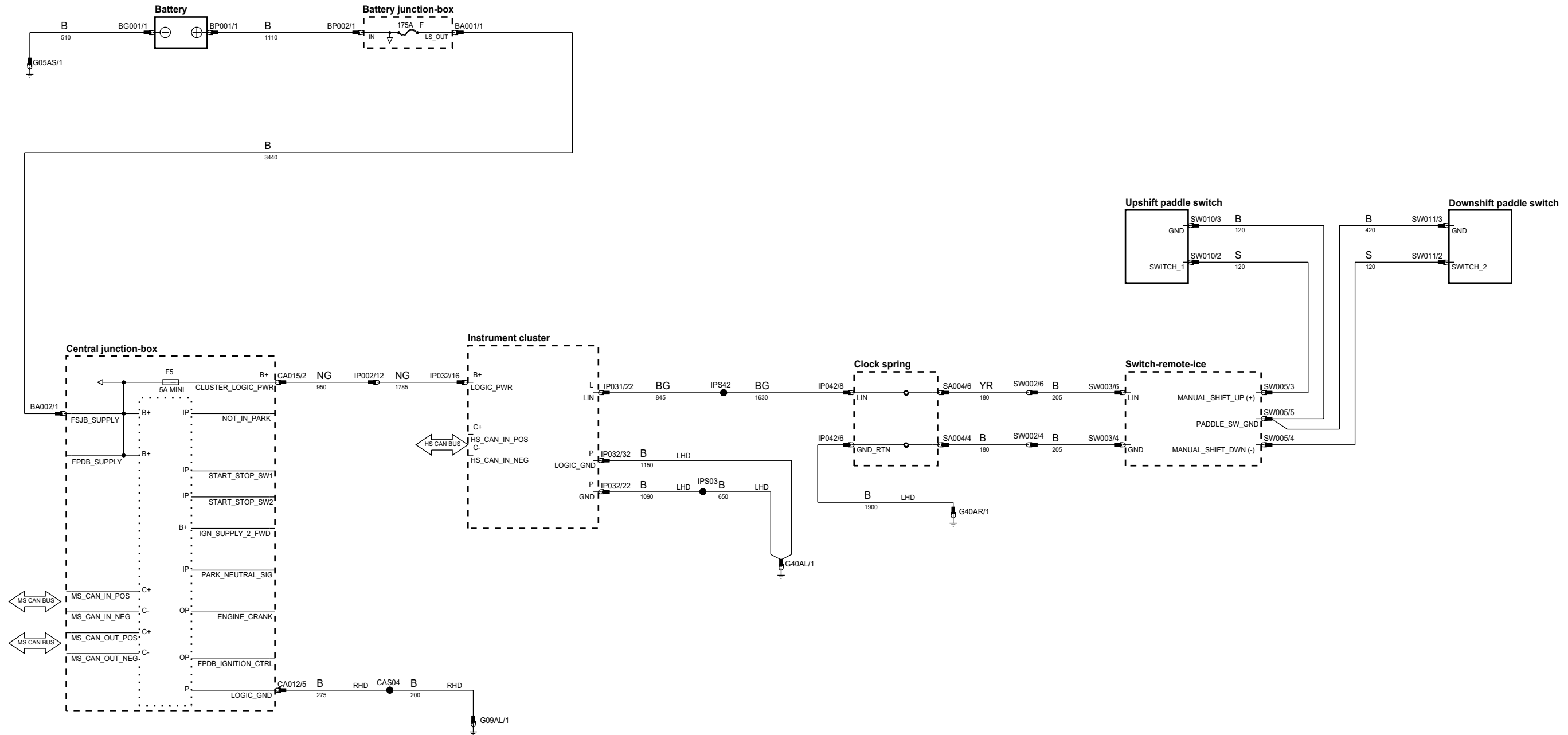
VARIANT: All
 VIN RANGE: All
 DATE OF ISSUE: April 2006

ph6w83-70041-a2-ab



B+ Battery Voltage	IP Input	VREF Sensor/Signal Supply V	HS CAN BUS High speed controller area network bus	MOST BUS Media oriented systems transport bus	VARIANT: All
P Power Ground	OP Output	GRF Sensor/Signal Ground	MS CAN BUS Medium speed controller area network bus	D Serial and Encoded Data	VIN RANGE: All
					DATE OF ISSUE: April 2006

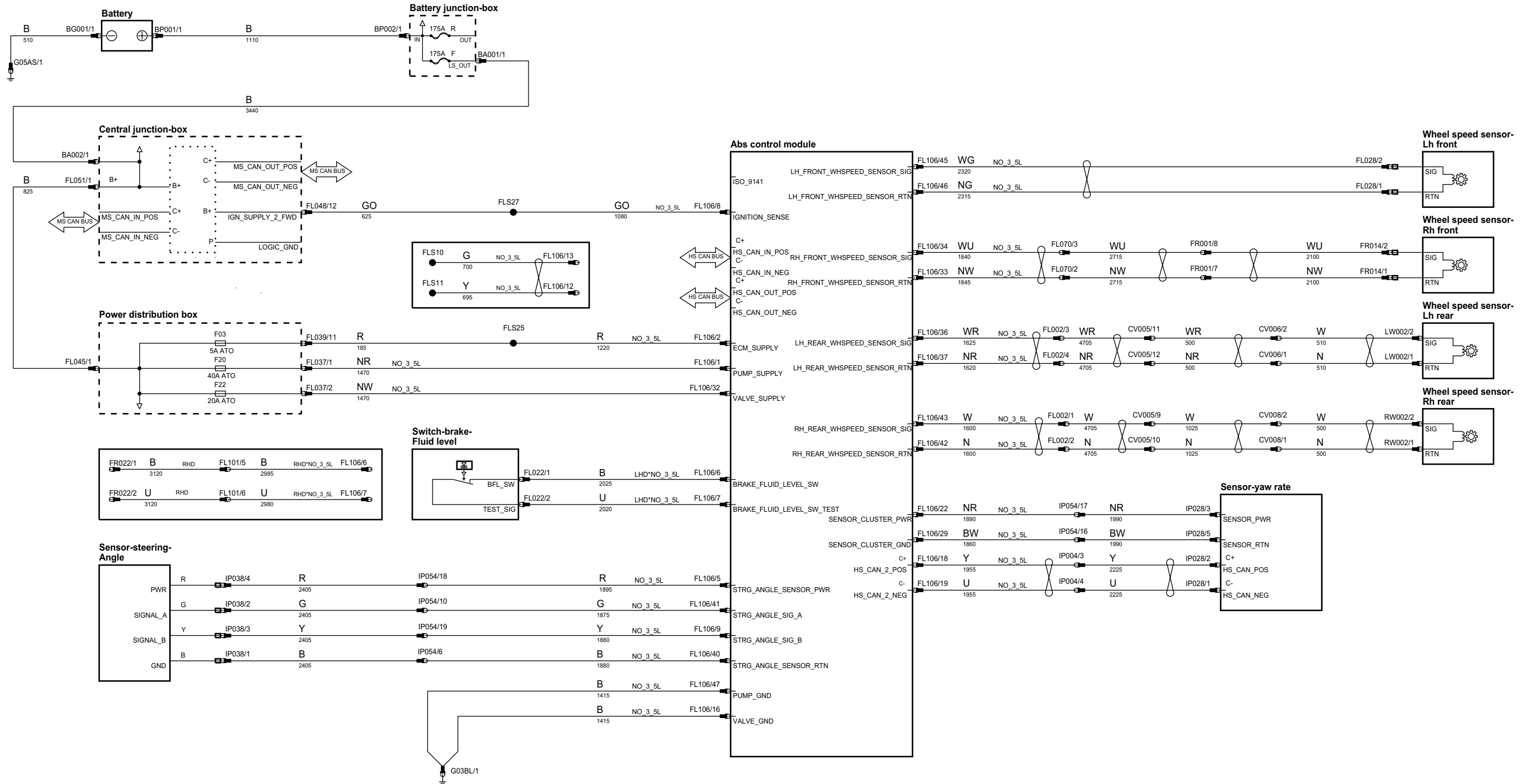
ph6w83-70041-a3-ab



B - Battery Voltage	IP Input	VREF Sensor/Signal Supply V	HS CAN BUS High speed controller area network bus	MOST BUS Media oriented systems transport bus
P Power Ground	OP Output	GRES Sensor/Signal Ground	MS CAN BUS Medium speed controller area network bus	D Serial and Encoded Data

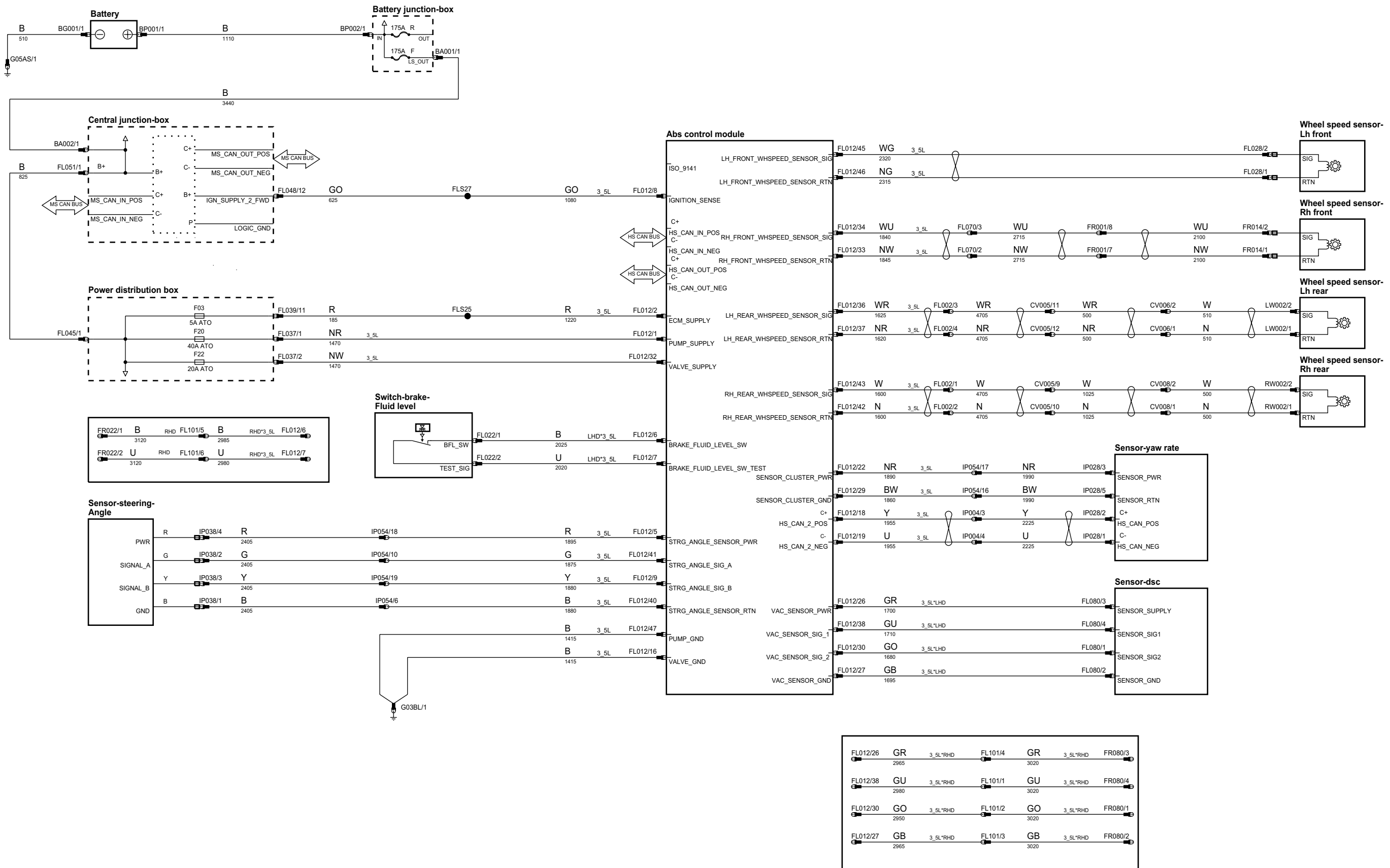
VARIANT: All
VIN RANGE: All
DATE OF ISSUE: April 2006

ph6w83-70165-b2-ab



B- Battery Voltage	IP Input	VREF Sensor/Signal Supply V	HS CAN BUS High speed controller area network bus	MOST BUS Media oriented systems transport bus	VARIANT: Yes
P Power Ground	OP Output	GREF Sensor/Signal Ground	MS CAN BUS Medium speed controller area network bus	D Serial and Encoded Data	VIN RANGE: All
					DATE OF ISSUE: April 2006

ph6w83-70165-a2-ab



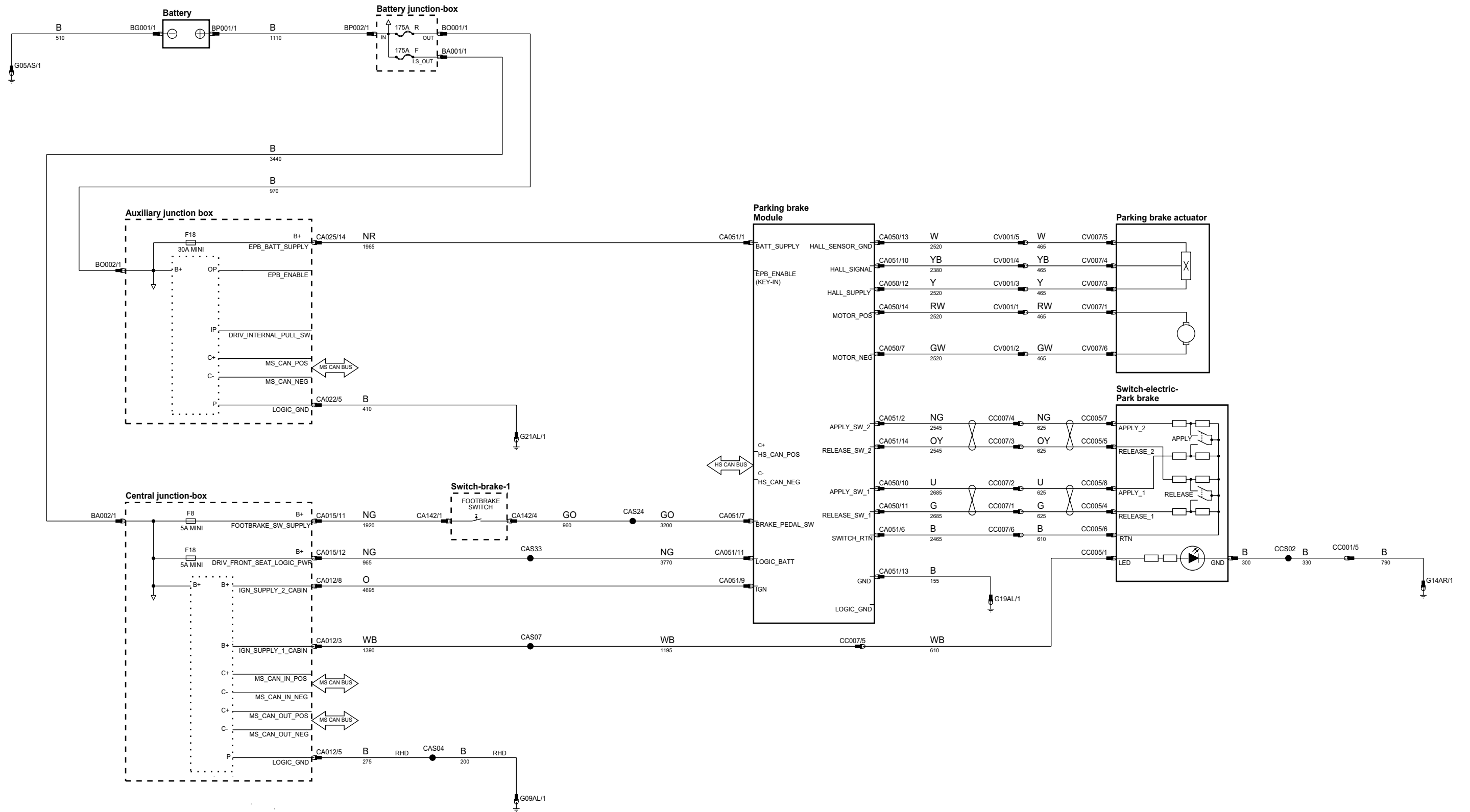
B- Battery Voltage
P Power Ground
IP Input
OP Output
VREF Sensor/Signal Supply V
GRES Sensor/Signal Ground

HS CAN BUS High speed controller area network bus
MS CAN BUS Medium speed controller area network bus

MOST BUS Media oriented systems transport bus
D Serial and Encoded Data

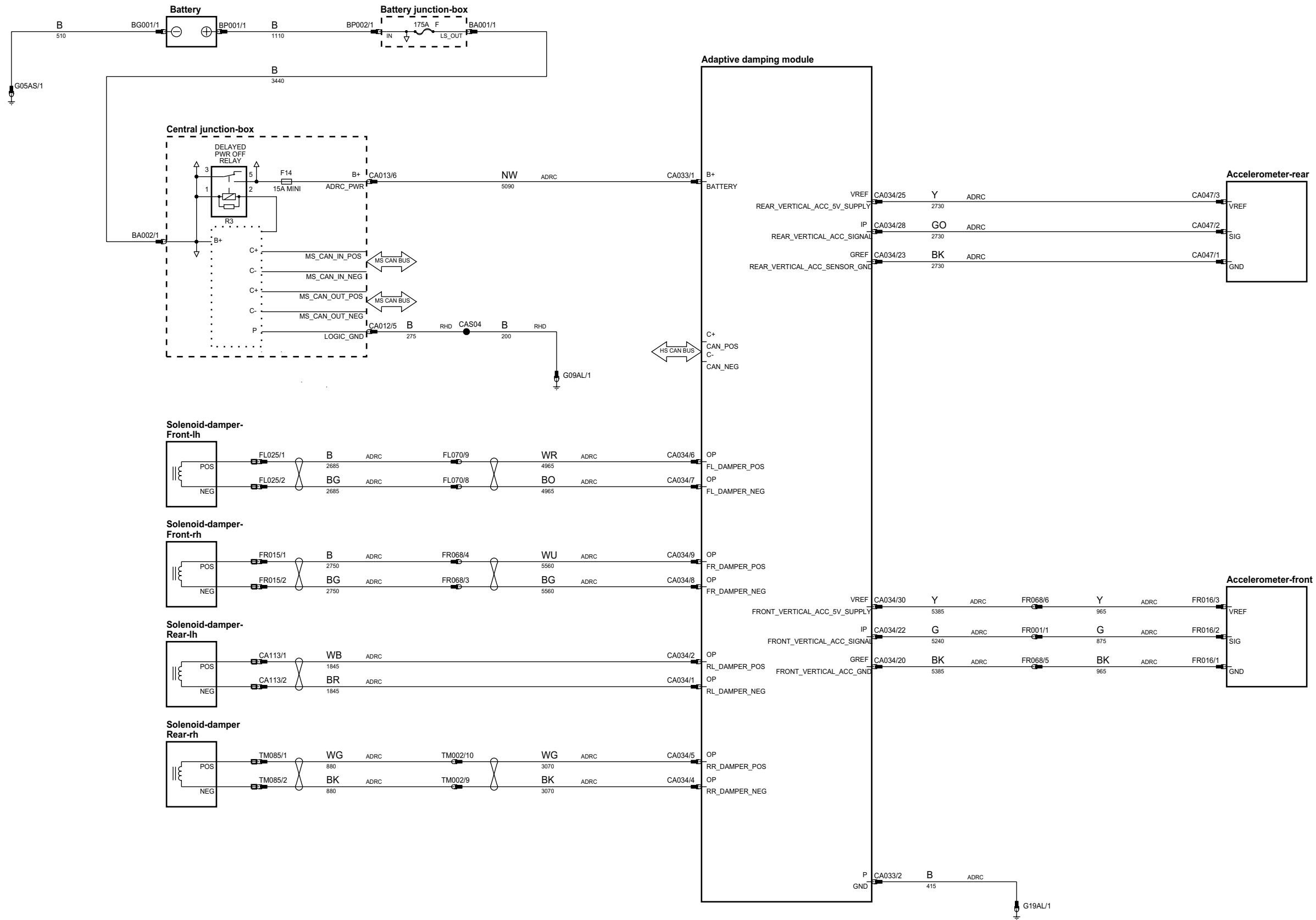
VARIANT: Yes
VIN RANGE: All
DATE OF ISSUE: April 2006

ph6w83-70167-b-ab



B- Battery Voltage	IP Input	VREF Sensor/Signal Supply V	HS CAN BUS High speed controller area network bus	MOST BUS Media oriented systems transport bus	VARIANT: All
P Power Ground	OP Output	GRES Sensor/Signal Ground	MS CAN BUS Medium speed controller area network bus	D Serial and Encoded Data	VIN RANGE: All
					DATE OF ISSUE: April 2006

ph6w83-70181-a2-ab



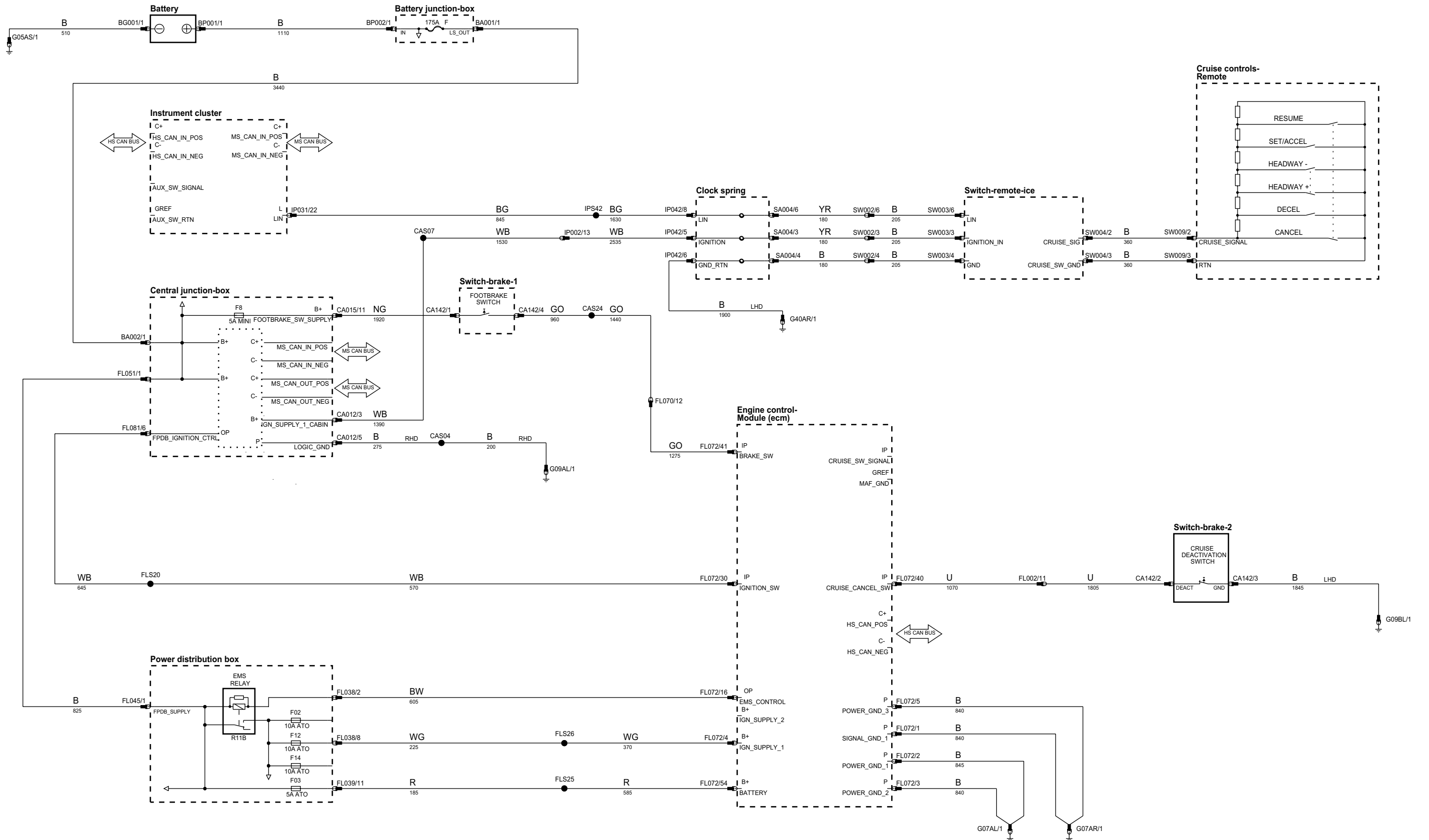
B- Battery Voltage
P Power Ground
IP Input
OP Output
VREF Sensor/Signal Supply V
GREF Sensor/Signal Ground

HS CAN BUS High speed controller area network bus
MS CAN BUS Medium speed controller area network bus

MOST BUS Media oriented systems transport bus
D Serial and Encoded Data

VARIANT: Yes
VIN RANGE: All
DATE OF ISSUE: April 2006

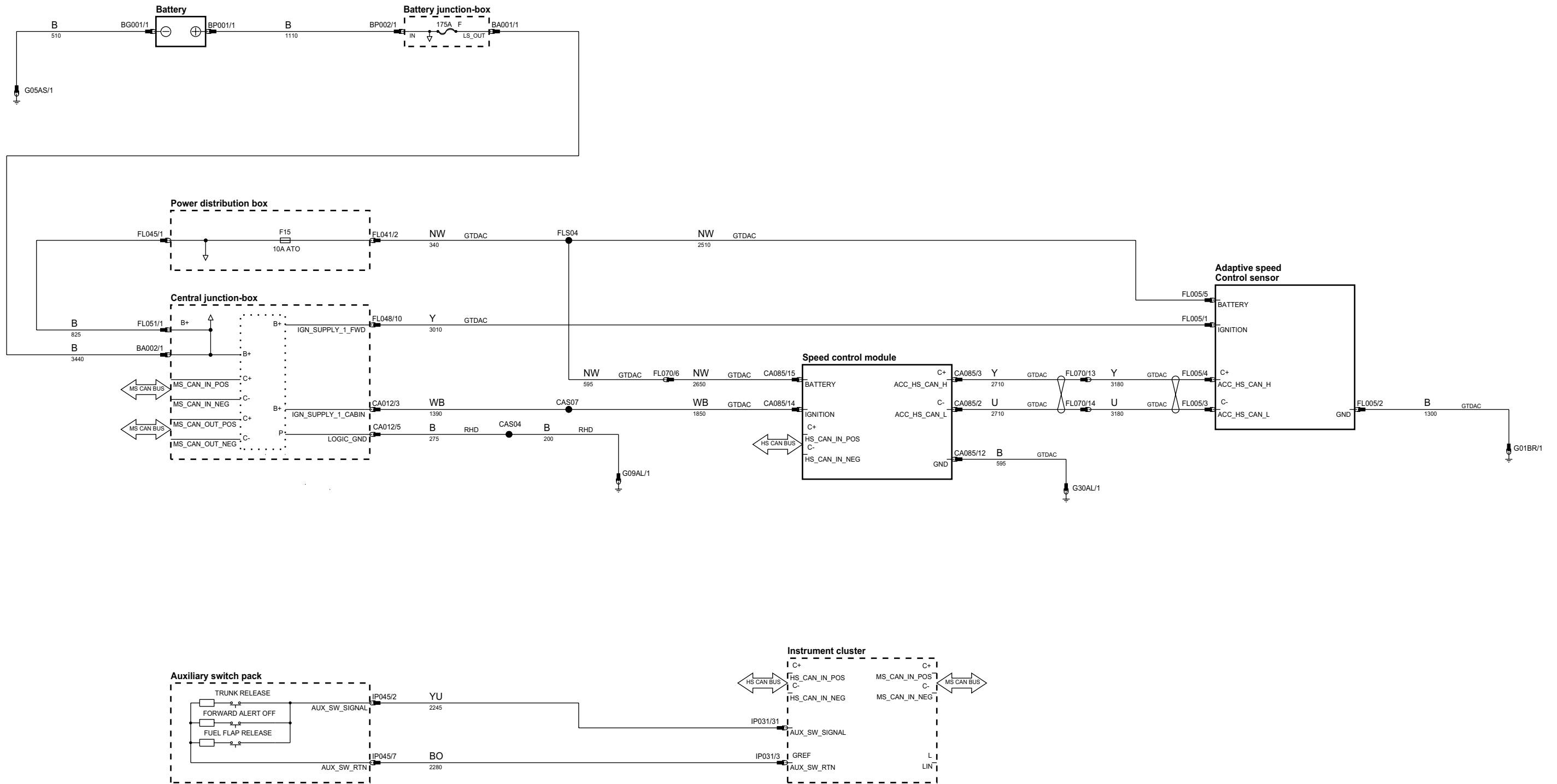
ph6w83-70190-a2-ab



B- Battery Voltage	IP Input	VREF Sensor/Signal Supply V	HS CAN BUS High speed controller area network bus	MOST BUS Media oriented systems transport bus
P Power Ground	OP Output	GRES Sensor/Signal Ground	MS CAN BUS Medium speed controller area network bus	D Serial and Encoded Data

VARIANT: Yes
VIN RANGE: All
DATE OF ISSUE: April 2006

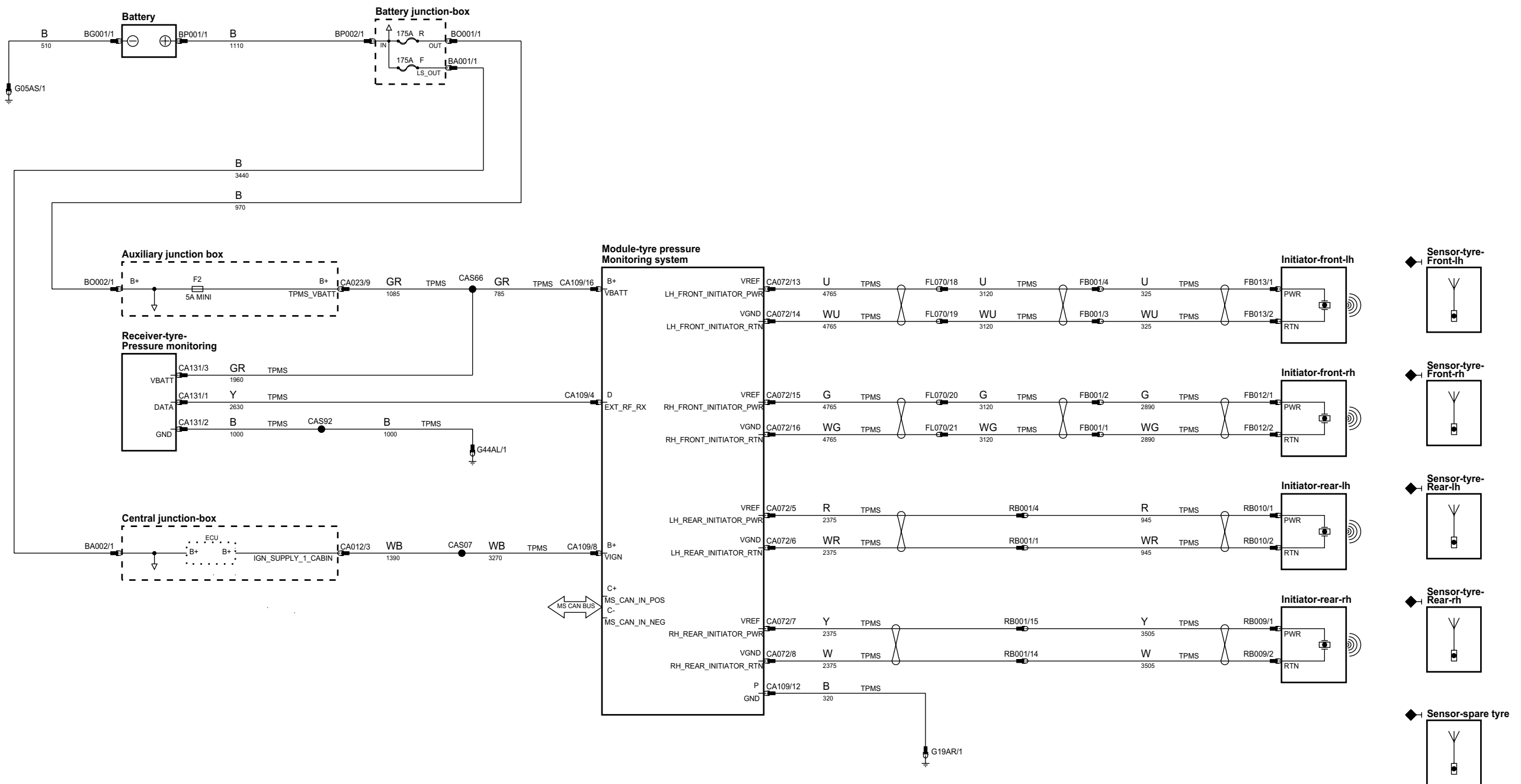
ph6w83-70486-a-ab



B- Battery Voltage	IP Input	VREF Sensor/Signal Supply V	HS CAN BUS High speed controller area network bus	MOST BUS Media oriented systems transport bus
P Power Ground	OP Output	GRES Sensor/Signal Ground	MS CAN BUS Medium speed controller area network bus	D Serial and Encoded Data

VARIANT: Yes
VIN RANGE: All
DATE OF ISSUE: April 2006

ph6w83-70267-a-ab



B+ Battery Voltage
P Power Ground

IP Input
OP Output

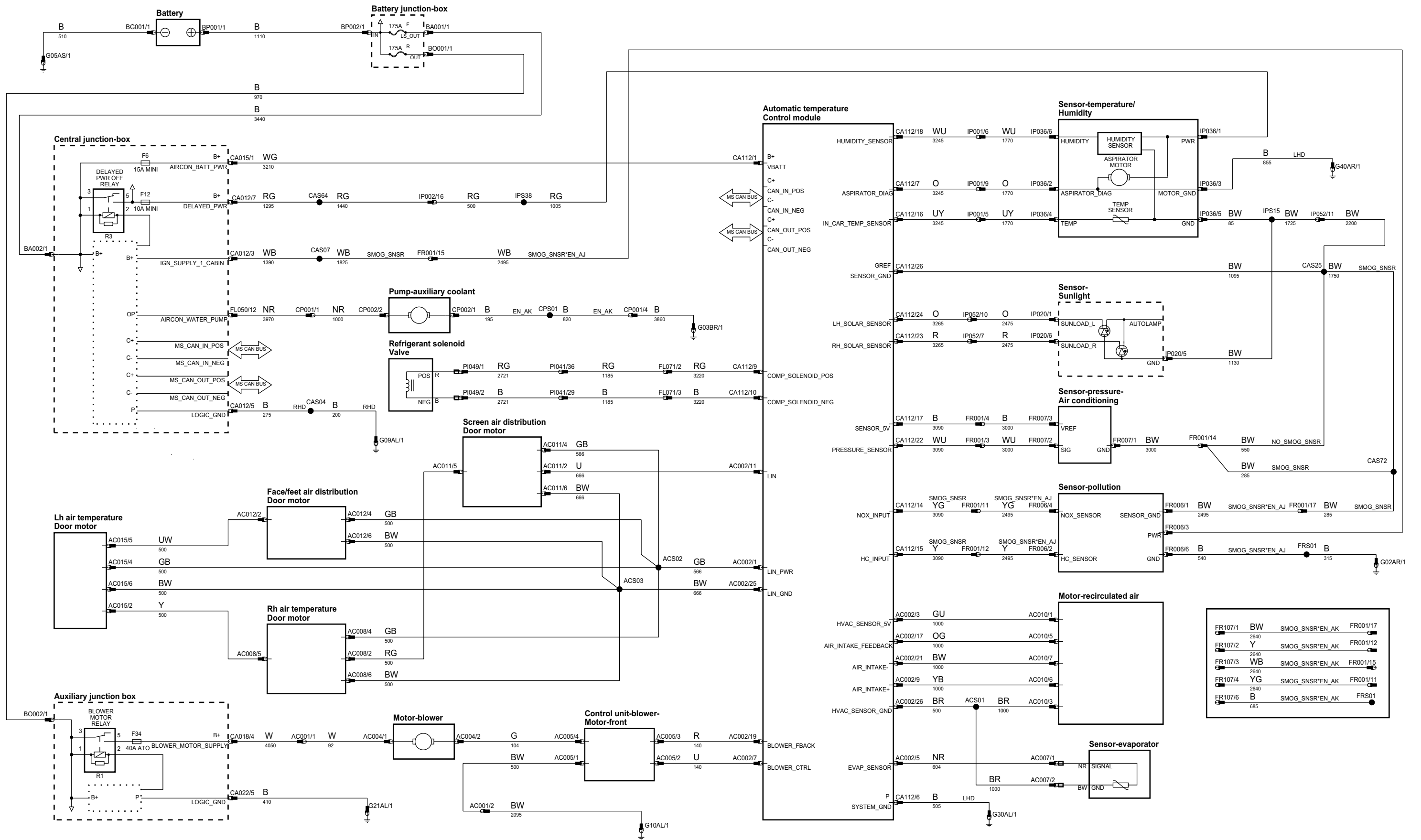
VREF Sensor/Signal Supply V
GREF Sensor/Signal Ground

HS CAN BUS High speed controller area network bus
MS CAN BUS Medium speed controller area network bus

MOST BUS Media oriented systems transport bus
D Serial and Encoded Data

VARIANT: Yes
VIN RANGE: All
DATE OF ISSUE: April 2006

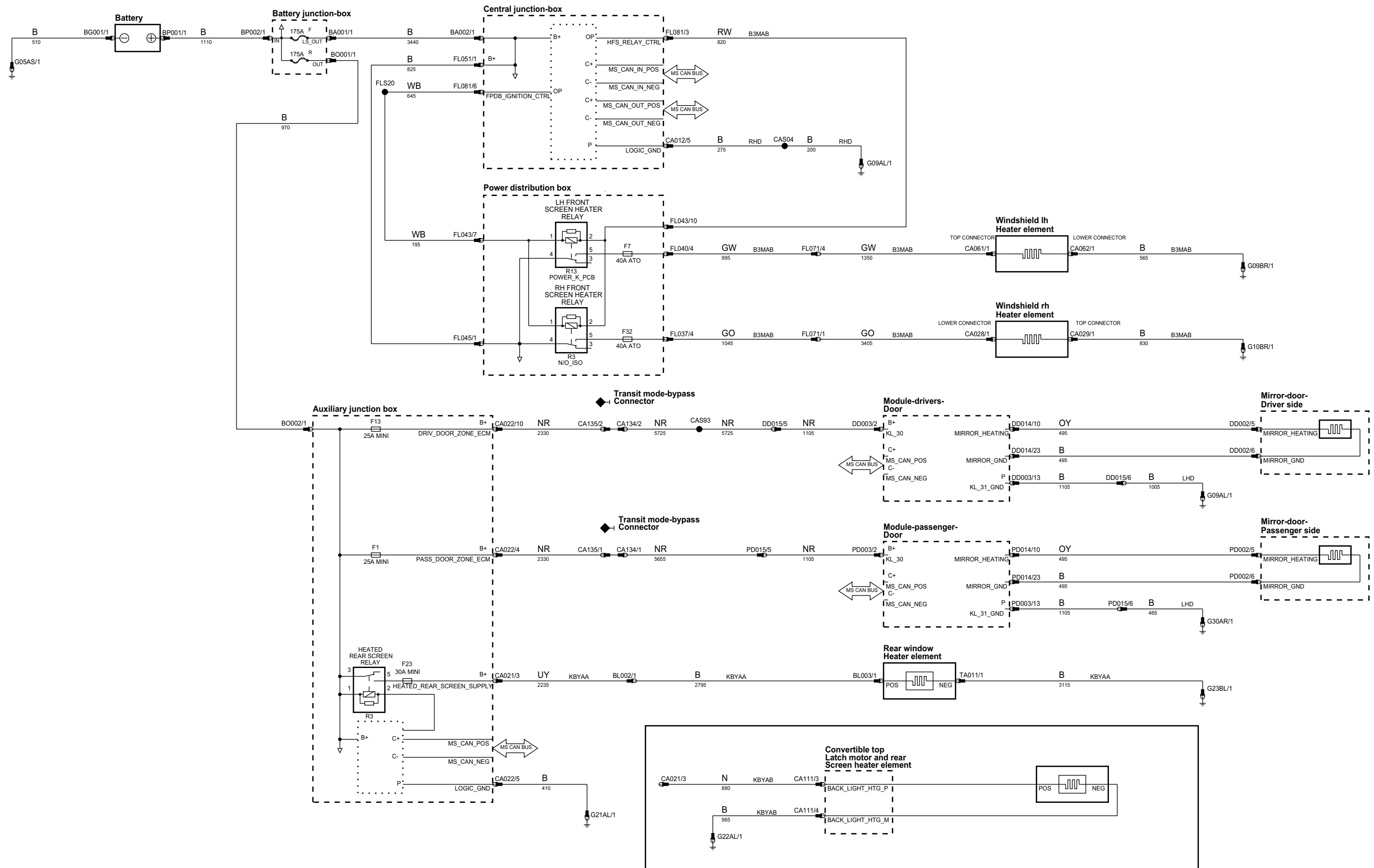
ph6w83-70300-b2-ab



B- Battery Voltage	IP Input	VREF Sensor/Signal Supply V	HS CAN BUS High speed controller area network bus	MOST BUS Media oriented systems transport bus
P Power Ground	OP Output	GRES Sensor/Signal Ground	MS CAN BUS Medium speed controller area network bus	D Serial and Encoded Data

VARIANT: All
 VIN RANGE: All
 DATE OF ISSUE: April 2006

ph6w83-70148-a2-ab



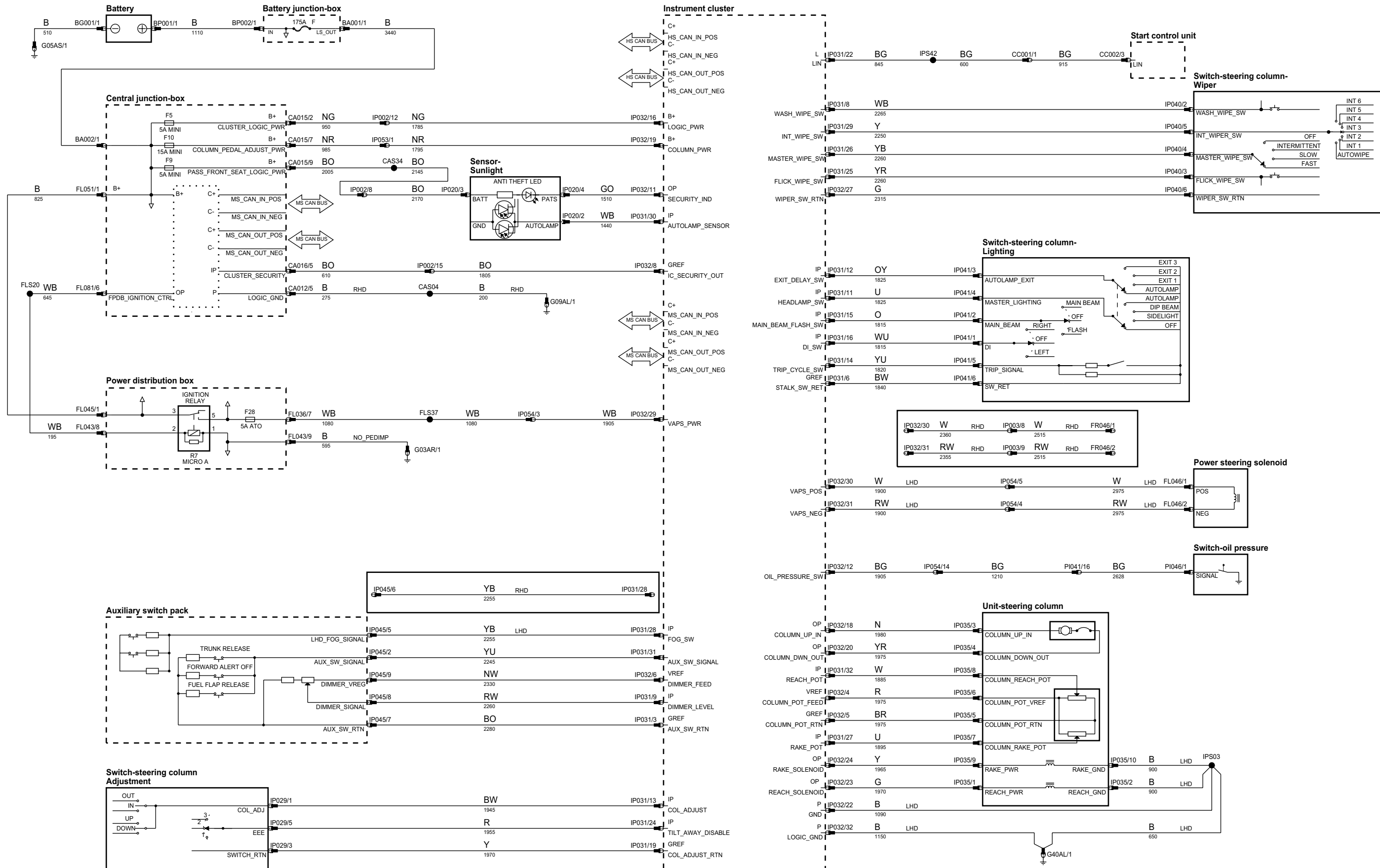
B- Battery Voltage
 IP Input
 P Power Ground
 VREF Sensor/Signal Supply V
 OP Output
 GREF Sensor/Signal Ground

HS CAN BUS High speed controller area network bus
 MS CAN BUS Medium speed controller area network bus

MOST BUS Media oriented systems transport bus
 D Serial and Encoded Data

VARIANT: All
 VIN RANGE: All
 DATE OF ISSUE: April 2006

ph6w83-70210-a-ab

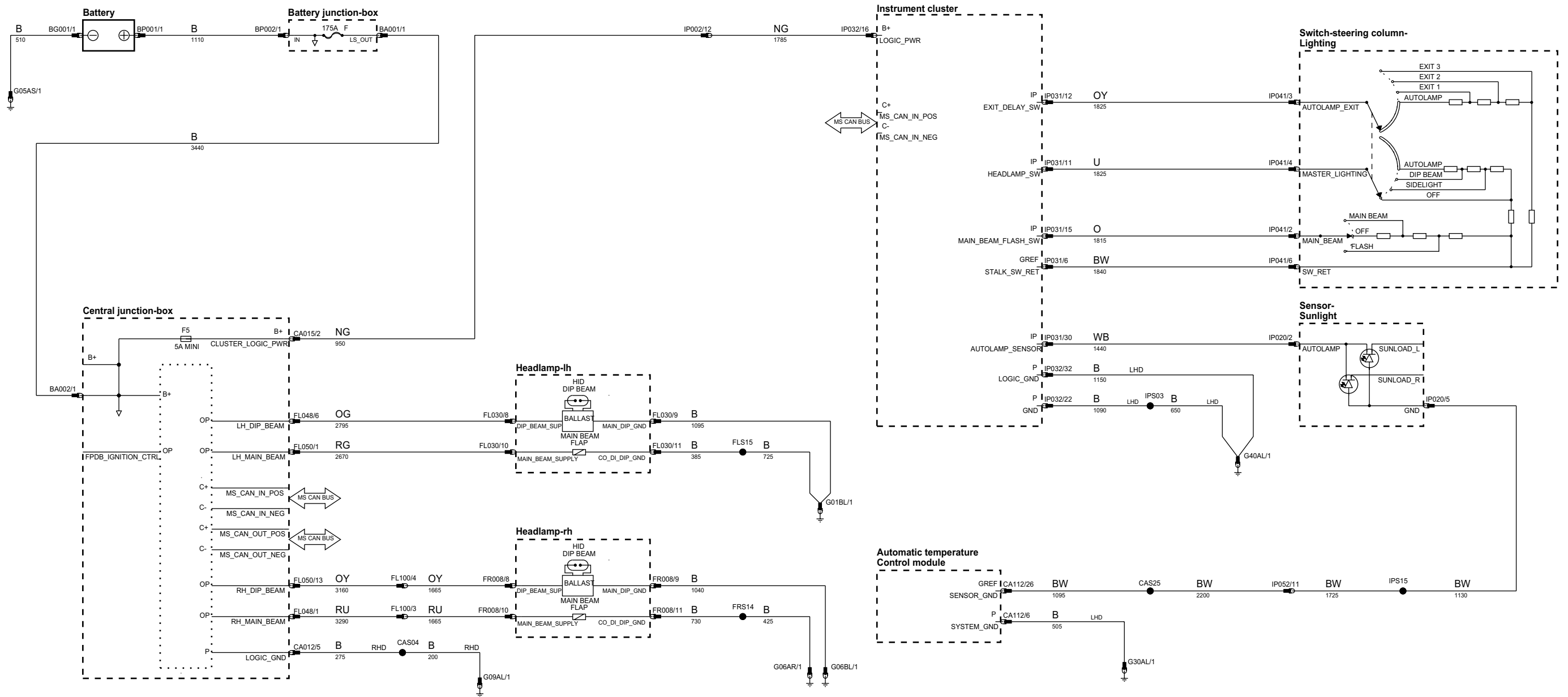


B- Battery Voltage
 P Power Ground
 IP Input
 OP Output
 VREF Sensor/Signal Supply V
 GREF Sensor/Signal Ground
 HS CAN BUS High speed controller area network bus
 MS CAN BUS Medium speed controller area network bus

MOST BUS Media oriented systems transport bus
 D Serial and Encoded Data

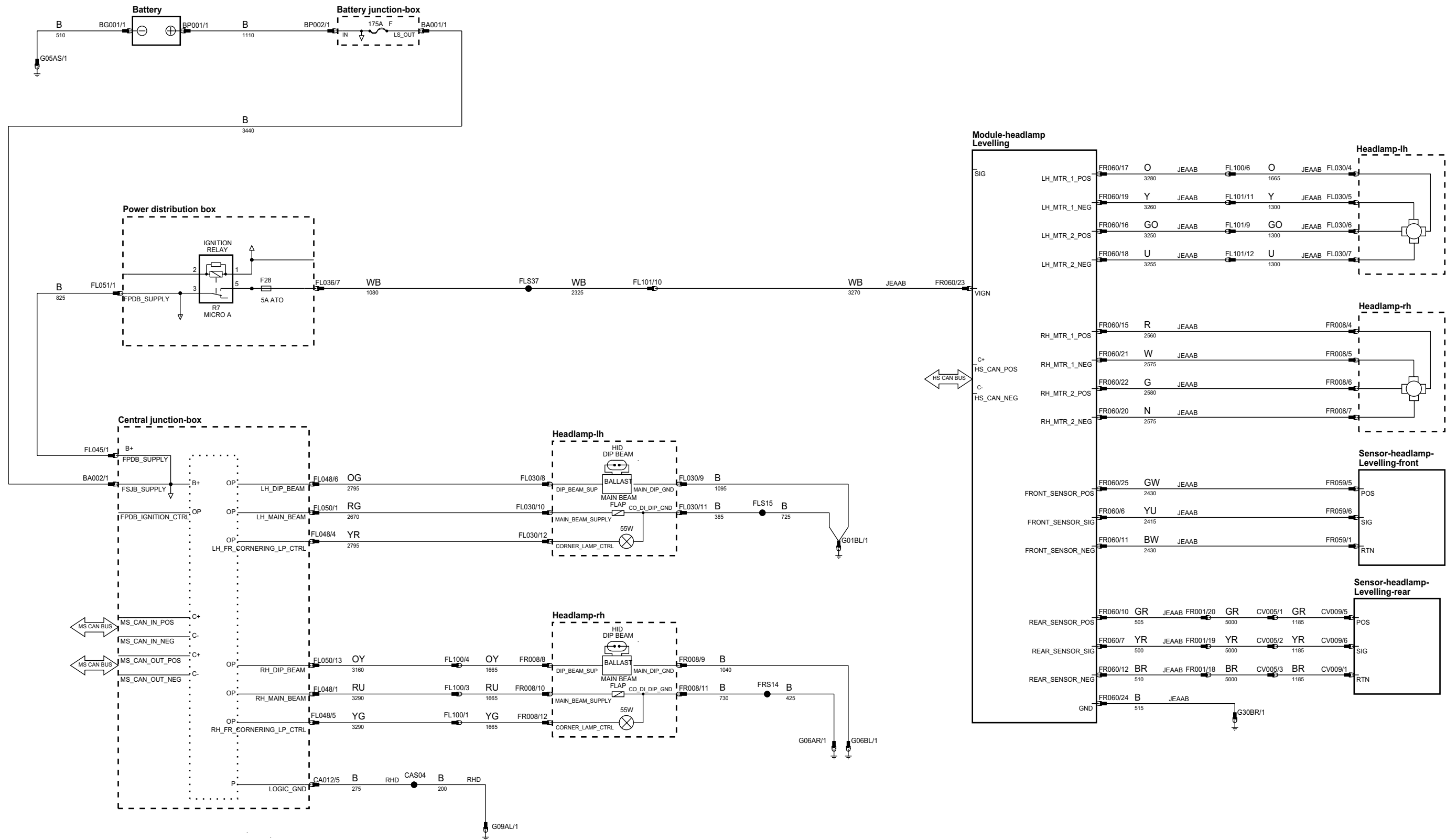
VARIANT: All
 VIN RANGE: All
 DATE OF ISSUE: April 2006

ph6w83-70061-b-ab



B- Battery Voltage	IP Input	VREF Sensor/Signal Supply V	HS CAN BUS High speed controller area network bus	MOST BUS Media oriented systems transport bus	VARIANT: All
P Power Ground	OP Output	GREF Sensor/Signal Ground	MS CAN BUS Medium speed controller area network bus	D Serial and Encoded Data	VIN RANGE: All
					DATE OF ISSUE: April 2006

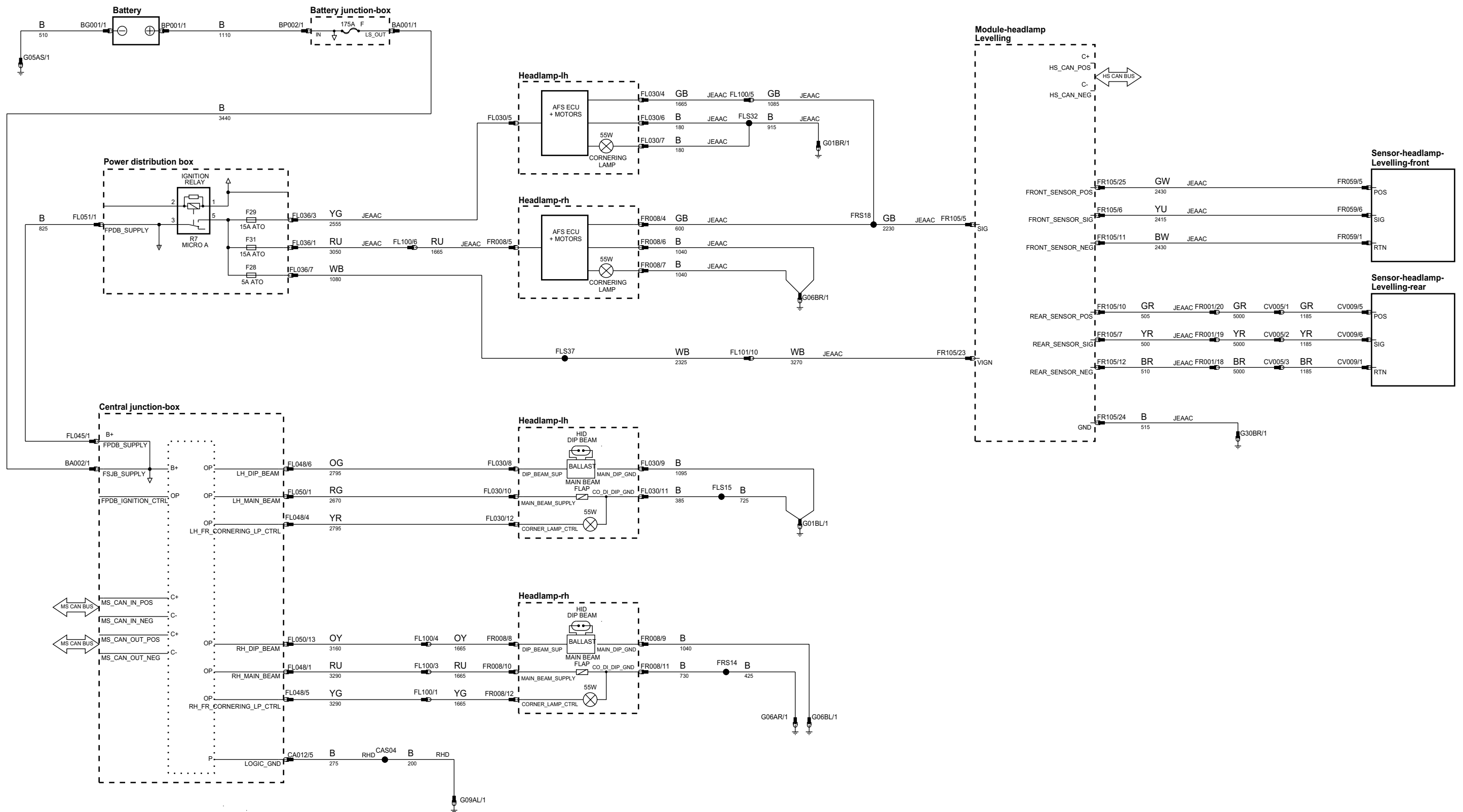
ph6w83-70066-a-ab



B - Battery Voltage	IP Input	VREF Sensor/Signal Supply V	HS CAN BUS High speed controller area network bus	MOST BUS Media oriented systems transport bus
P Power Ground	OP Output	GRES Sensor/Signal Ground	MS CAN BUS Medium speed controller area network bus	D Serial and Encoded Data

VARIANT: Non HID Headlamp
VIN RANGE: All
DATE OF ISSUE: April 2006

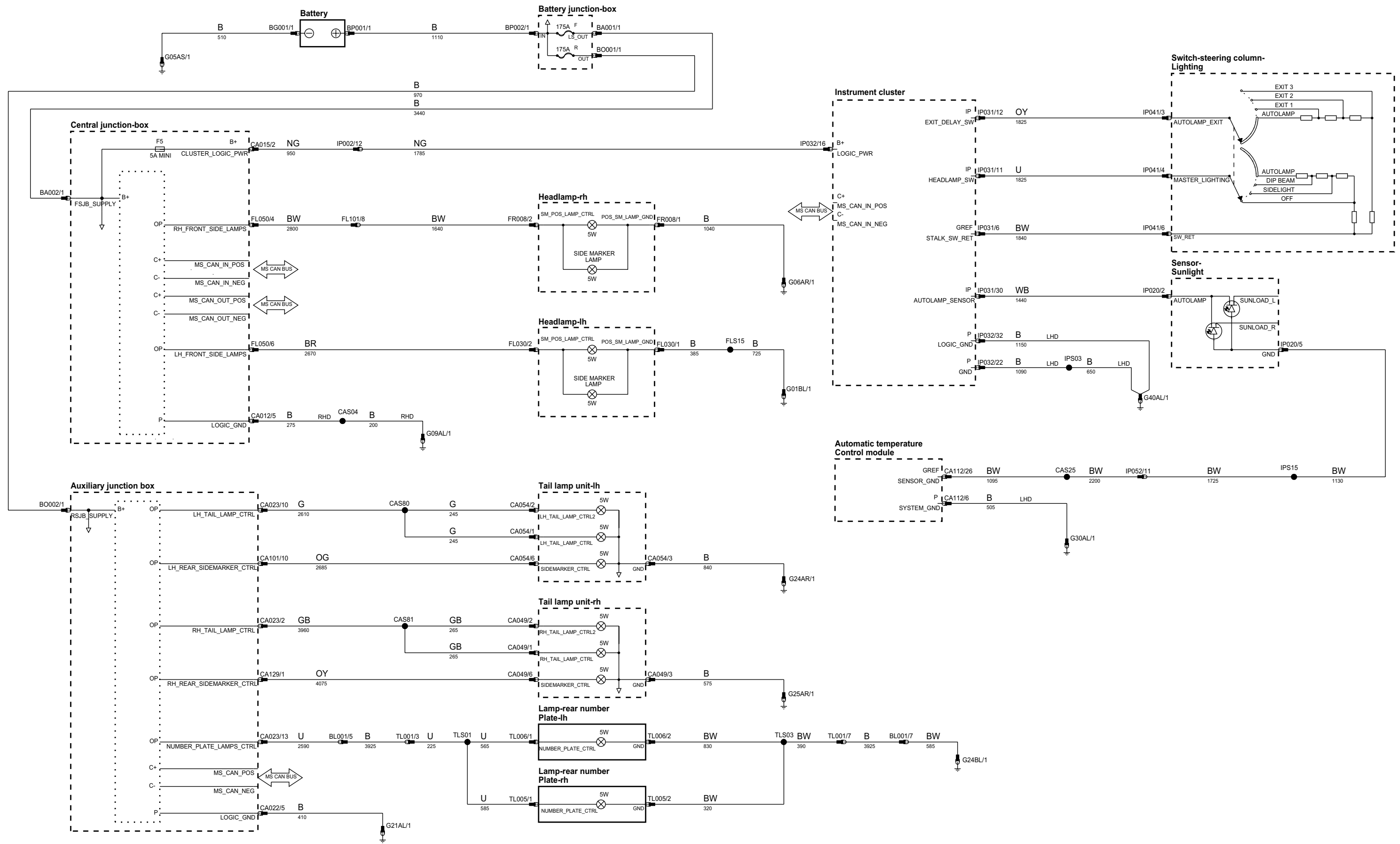
ph6w83-70066-b-ab



B - Battery Voltage	IP Input	VREF Sensor/Signal Supply V	HS CAN BUS High speed controller area network bus	MOST BUS Media oriented systems transport bus
P Power Ground	OP Output	GRES Sensor/Signal Ground	MS CAN BUS Medium speed controller area network bus	D Serial and Encoded Data

VARIANT: HID Headlamp
VIN RANGE: All
DATE OF ISSUE: April 2006

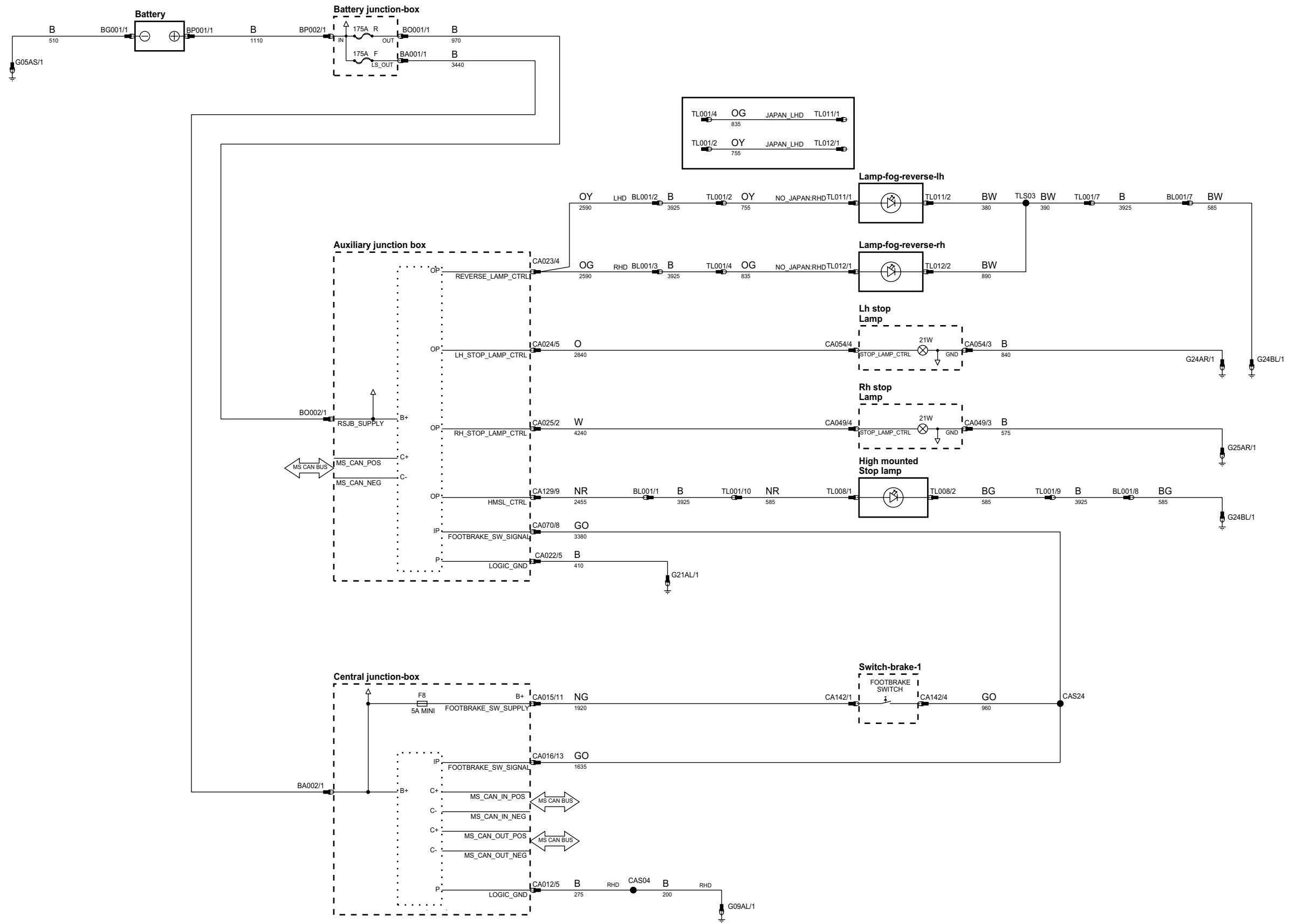
ph6w83-70060-d-ab



B - Battery Voltage	IP Input	VREF Sensor/Signal Supply V	HS CAN BUS High speed controller area network bus	MOST BUS Media oriented systems transport bus
P Power Ground	OP Output	GRESF Sensor/Signal Ground	MS CAN BUS Medium speed controller area network bus	D Serial and Encoded Data

VARIANT: All
 VIN RANGE: All
 DATE OF ISSUE: April 2006

ph6w83-70060-c-ab



B+ Battery Voltage
P Power Ground

IP Input
OP Output

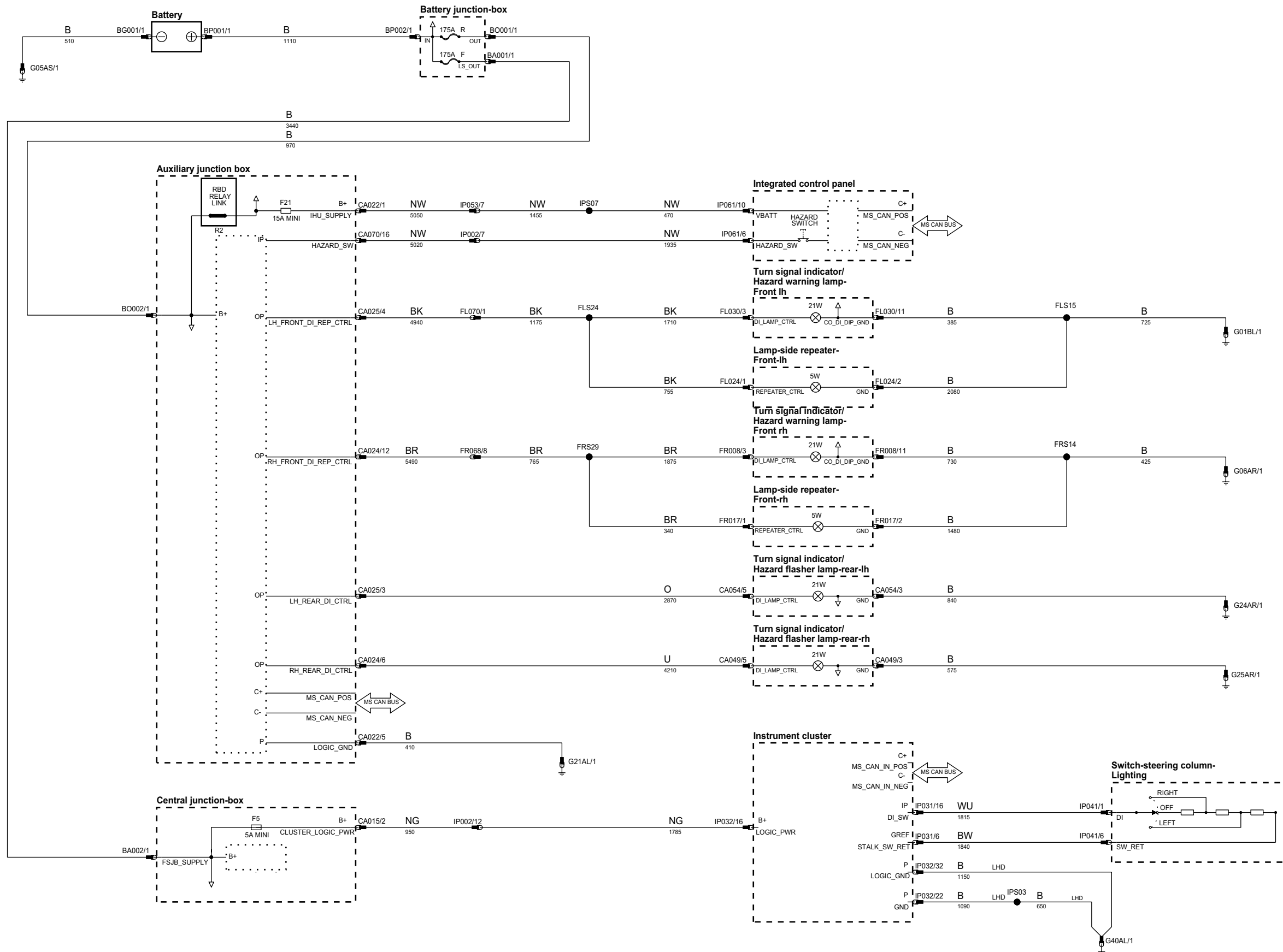
VREF Sensor/Signal Supply V
GREF Sensor/Signal Ground

HS CAN BUS High speed controller area network bus
MS CAN BUS Medium speed controller area network bus

MOST BUS Media oriented systems transport bus
D Serial and Encoded Data

VARIANT: All
VIN RANGE: All
DATE OF ISSUE: April 2006

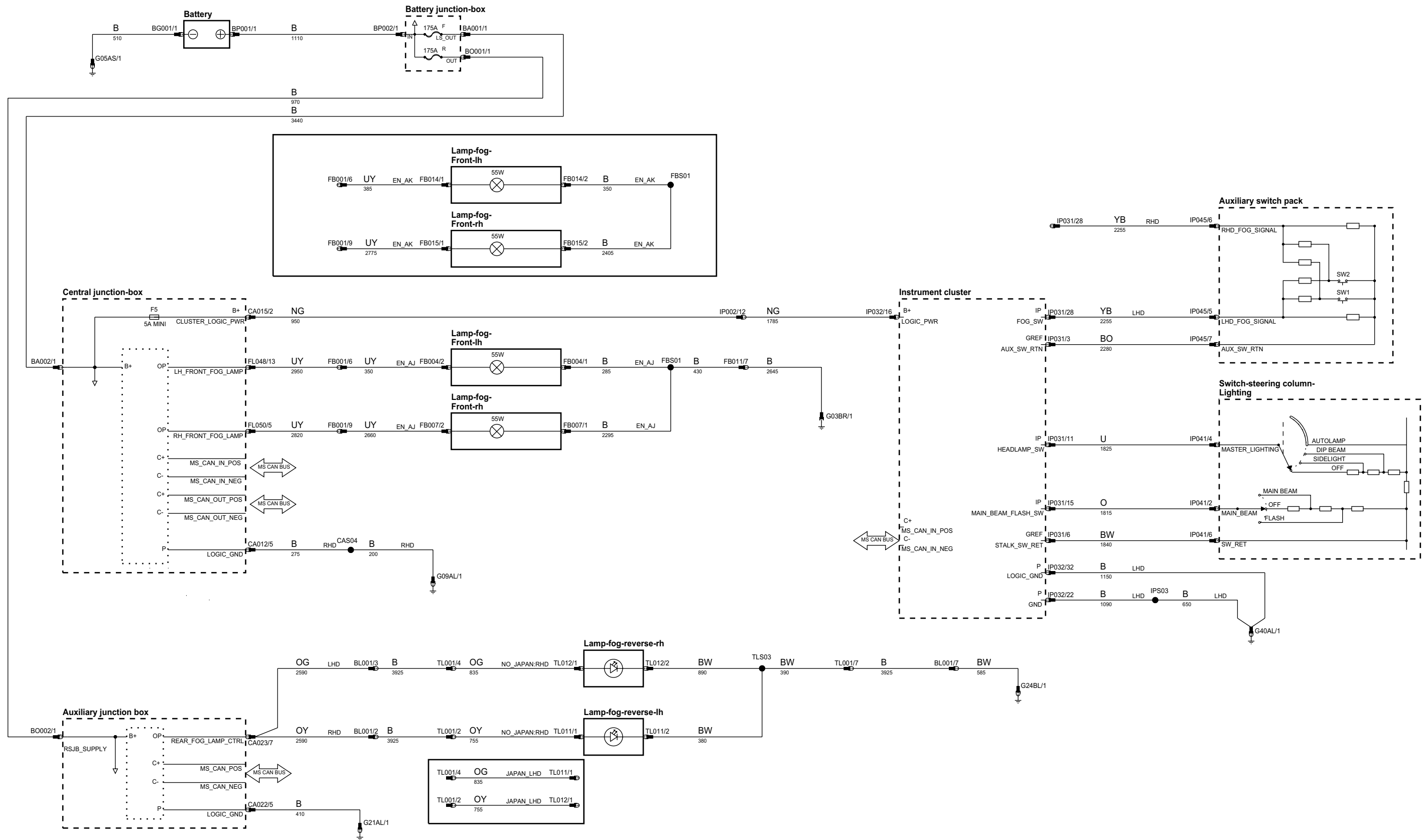
ph6w83-70080-b-ab



B - Battery Voltage	IP Input	VREF Sensor/Signal Supply V	HS CAN BUS High speed controller area network bus	MOST BUS Media oriented systems transport bus
P Power Ground	OP Output	GRF Sensor/Signal Ground	MS CAN BUS Medium speed controller area network bus	D Serial and Encoded Data

VARIANT: All
 VIN RANGE: All
 DATE OF ISSUE: April 2006

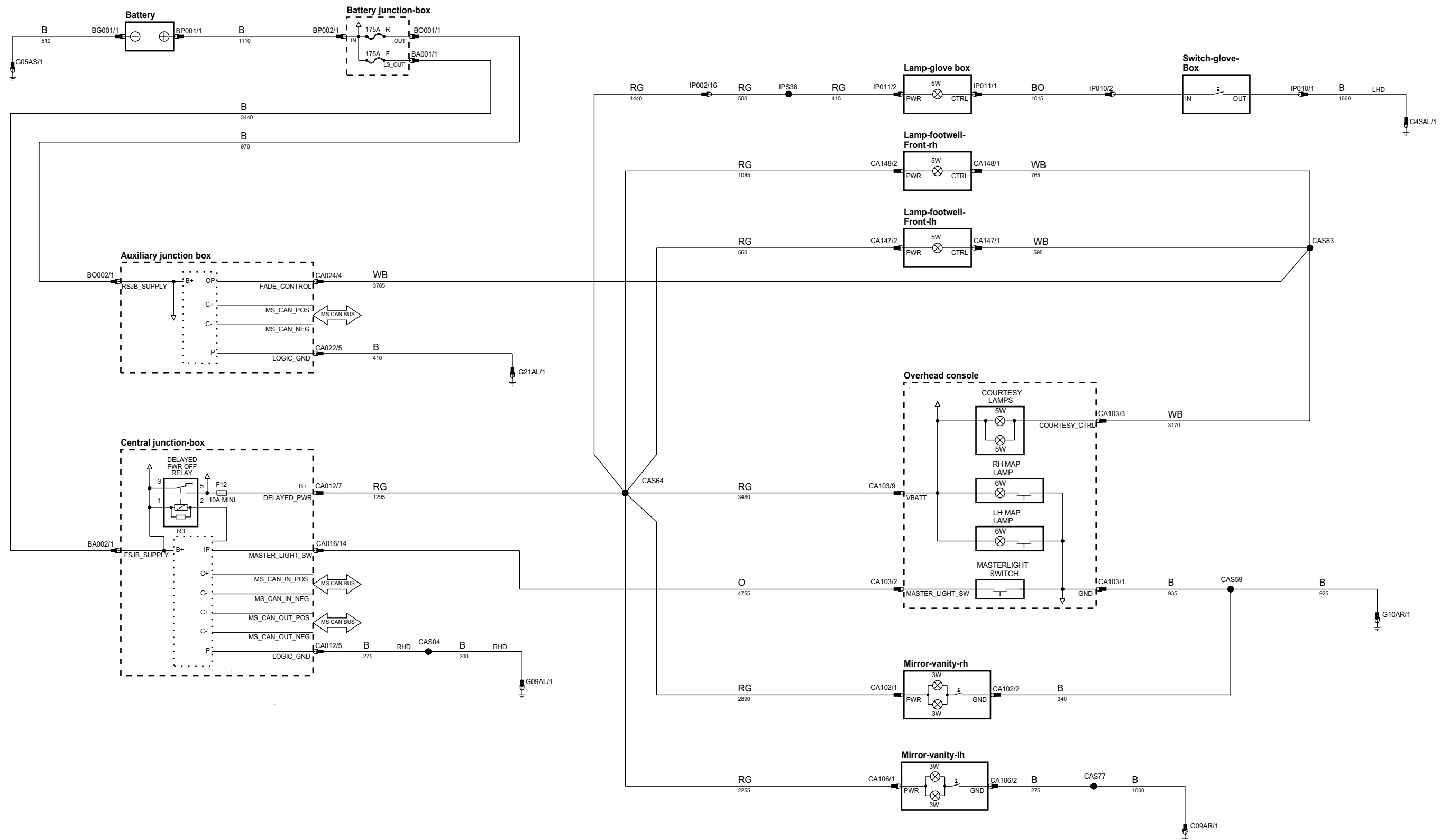
ph6w83-70072-b-ab



B- Battery Voltage	IP Input	VREF Sensor/Signal Supply V	HS CAN BUS High speed controller area network bus	MOST BUS Media oriented systems transport bus
P Power Ground	OP Output	GREF Sensor/Signal Ground	MS CAN BUS Medium speed controller area network bus	D Serial and Encoded Data

VARIANT: All
 VIN RANGE: All
 DATE OF ISSUE: April 2006

ph6w83-70101-b-ab



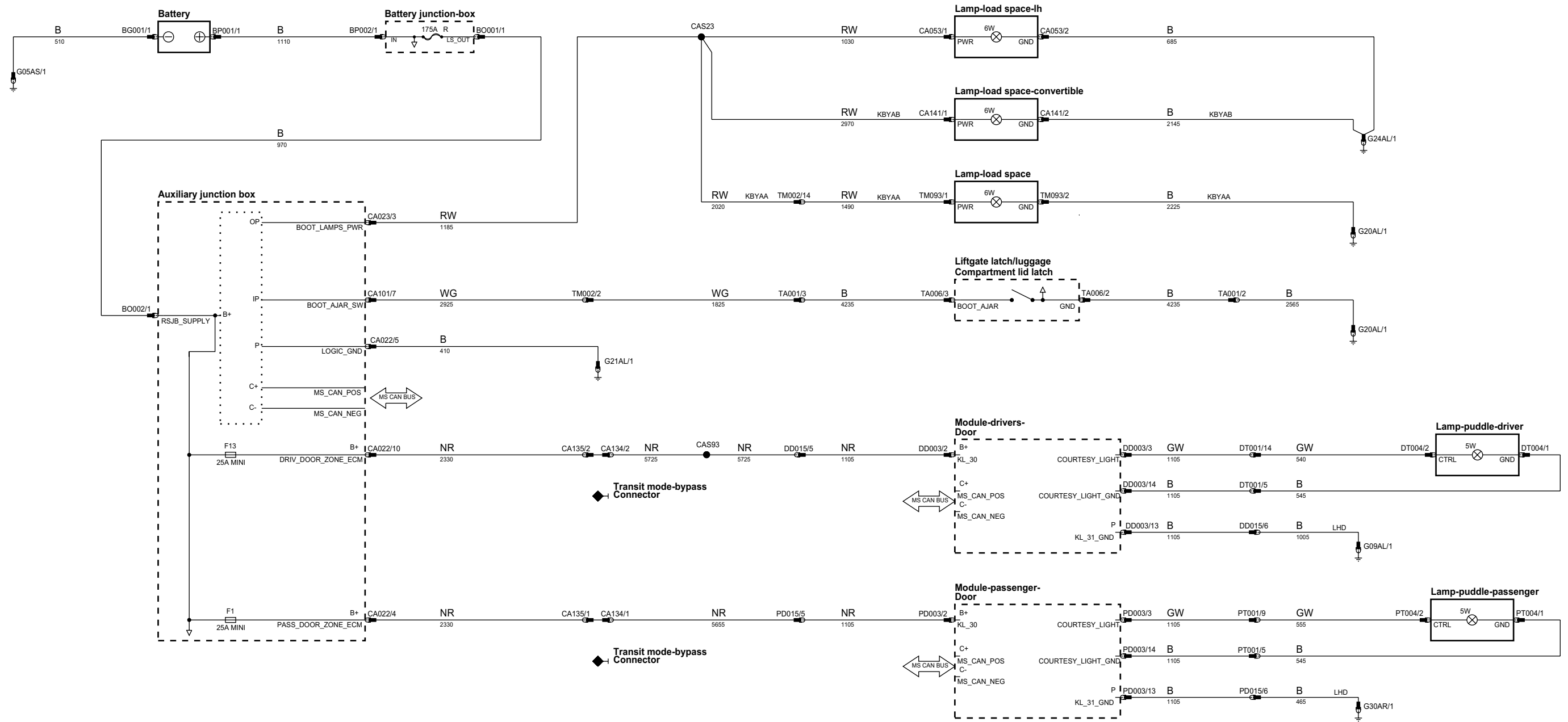
B+ Battery Voltage
P Power Ground
IP Input
OP Output
VREF Sensor/Signal Supply V
GREF Sensor/Signal Ground

HS CAN BUS High speed controller area network bus
MS CAN BUS Medium speed controller area network bus

MOST BUS Media oriented systems transport bus
D Serial and Encoded Data

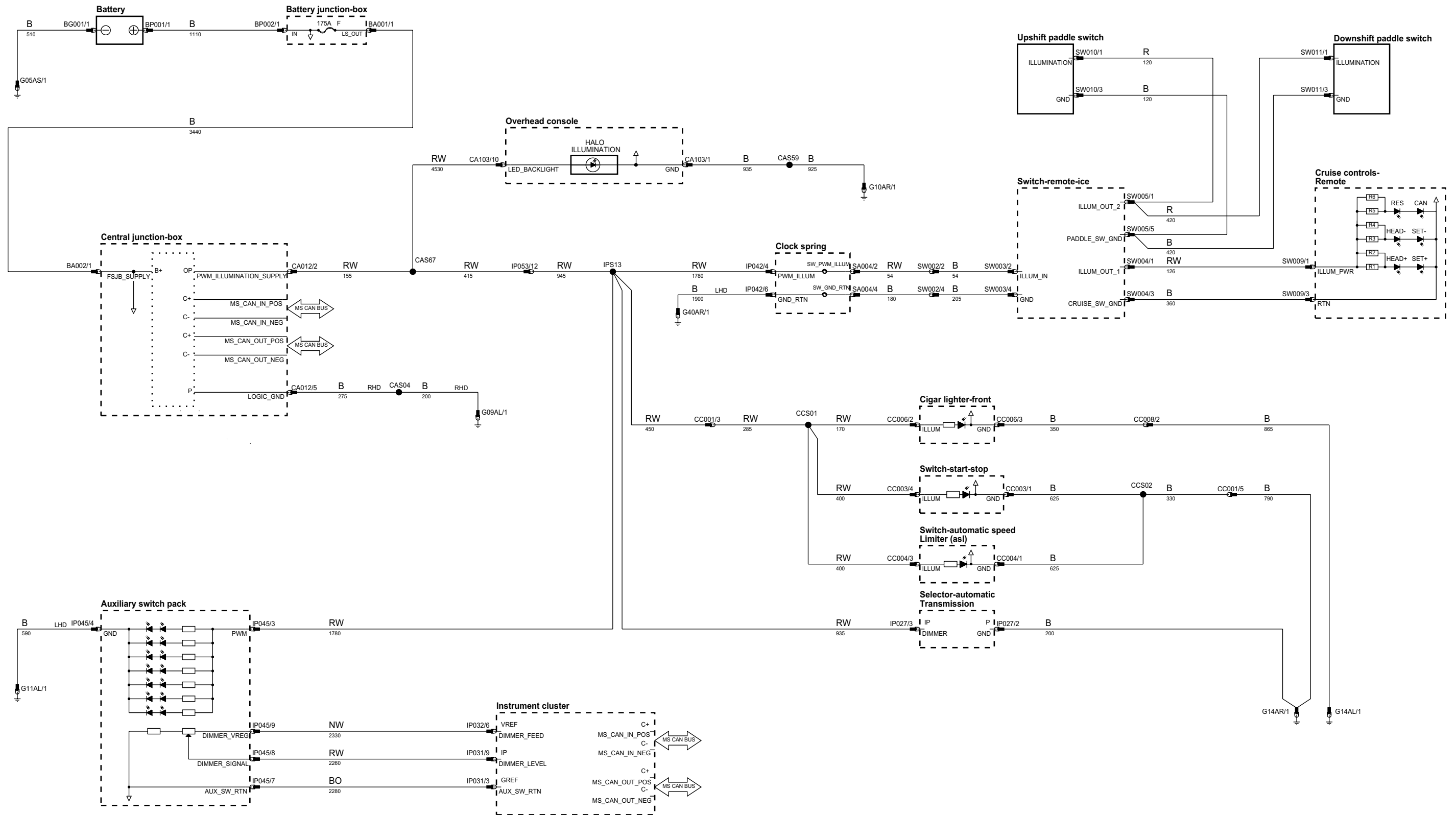
VARIANT: All
VIN RANGE: All
DATE OF ISSUE: April 2006

ph6w83-70104-b-ab



B- Battery Voltage	IP Input	VREF Sensor/Signal Supply V	HS CAN BUS High speed controller area network bus	MOST BUS Media oriented systems transport bus	VARIANT: All
P Power Ground	OP Output	GRES Sensor/Signal Ground	MS CAN BUS Medium speed controller area network bus	D Serial and Encoded Data	VIN RANGE: All
					DATE OF ISSUE: April 2006

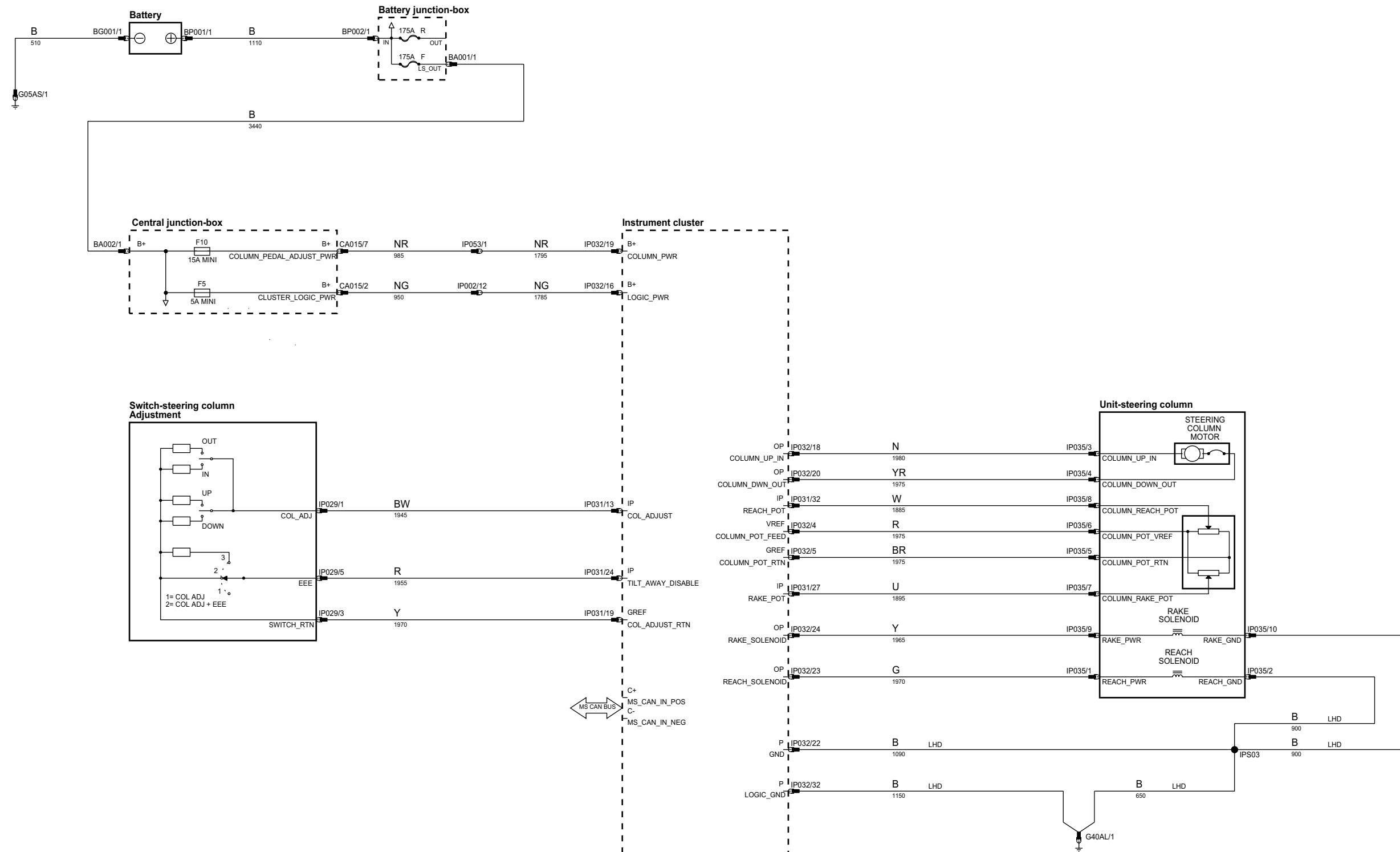
ph6w83-70120-a-ab



B - Battery Voltage	IP Input	VREF Sensor/Signal Supply V	HS CAN BUS High speed controller area network bus	MOST BUS Media oriented systems transport bus
P Power Ground	OP Output	GREF Sensor/Signal Ground	MS CAN BUS Medium speed controller area network bus	D Serial and Encoded Data

VARIANT: All
 VIN RANGE: All
 DATE OF ISSUE: April 2006

ph6w83-70360-b-ab



B+ Battery Voltage
P Power Ground

IP Input
OP Output

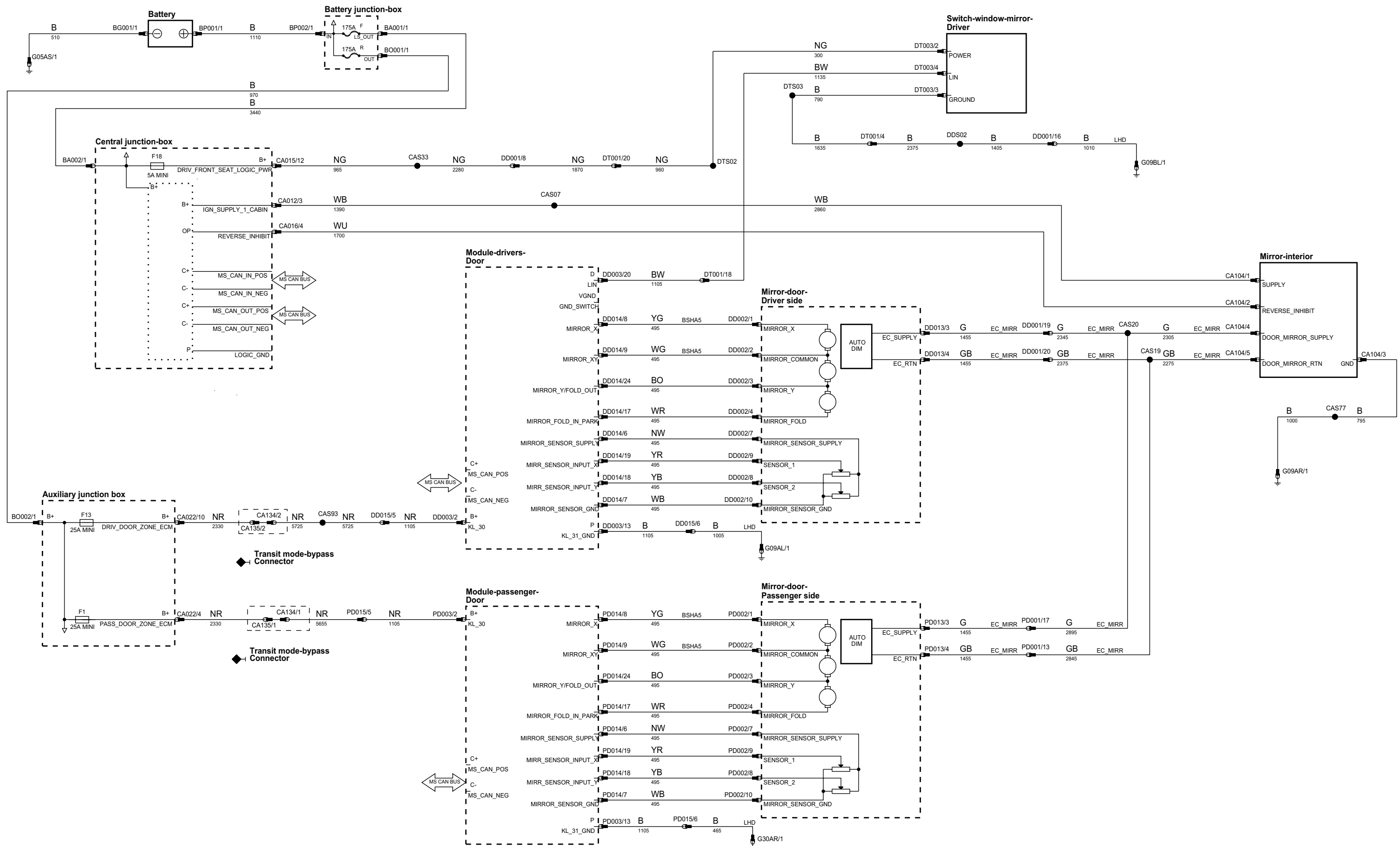
VREF Sensor/Signal Supply V
GREF Sensor/Signal Ground

HS CAN BUS High speed controller area network bus
MS CAN BUS Medium speed controller area network bus

MOST BUS Media oriented systems transport bus
D Serial and Encoded Data

VARIANT: All
VIN RANGE: All
DATE OF ISSUE: April 2006

ph6w83-70330-b-ab



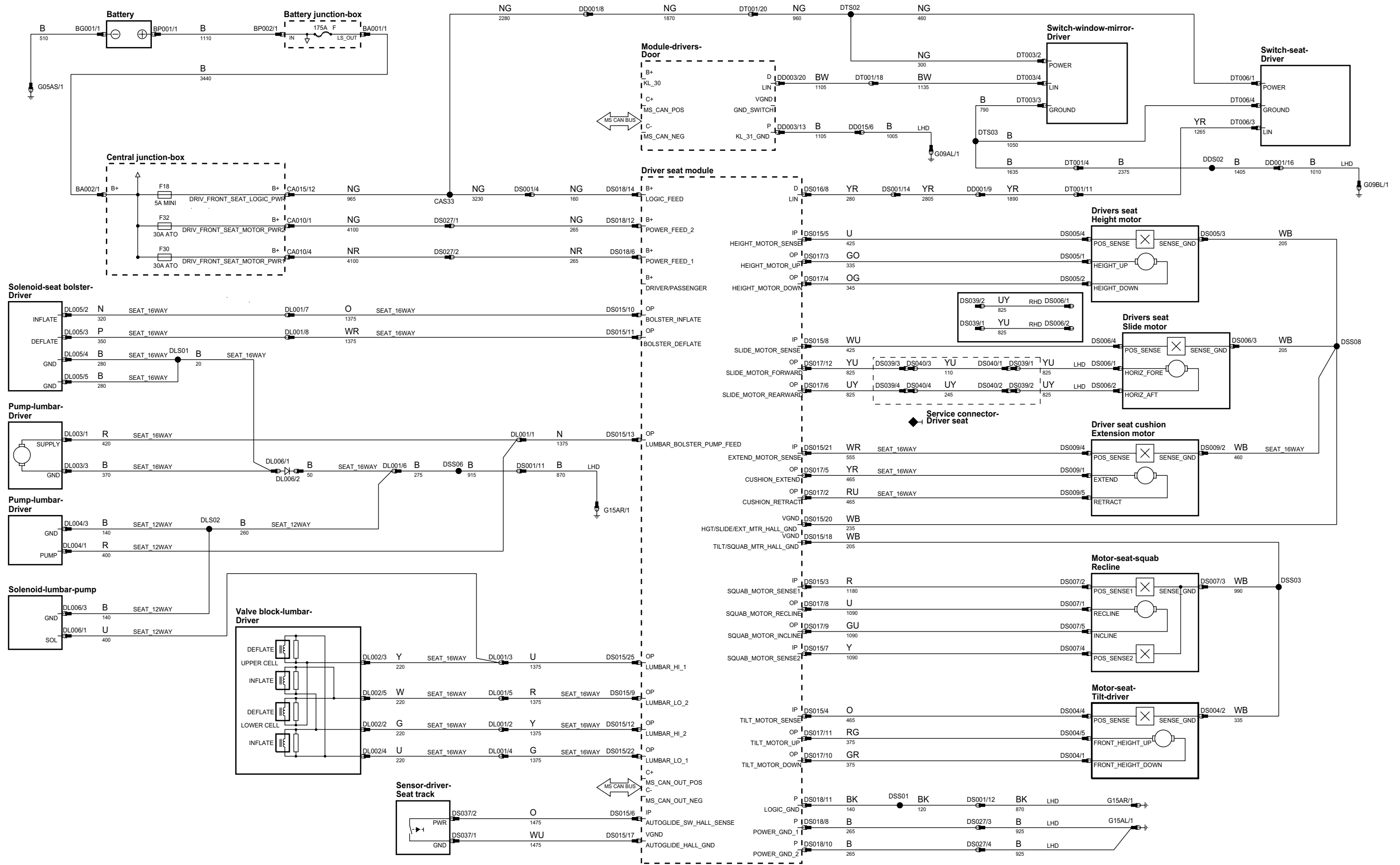
B+ Battery Voltage
 P Power Ground
 IP Input
 OP Output
 VREF Sensor/Signal Supply V
 GREF Sensor/Signal Ground

HS CAN BUS High speed controller area network bus
 MS CAN BUS Medium speed controller area network bus

MOST BUS Media oriented systems transport bus
 D Serial and Encoded Data

VARIANT: All
 VIN RANGE: All
 DATE OF ISSUE: April 2006

ph6w83-70346-b-ab



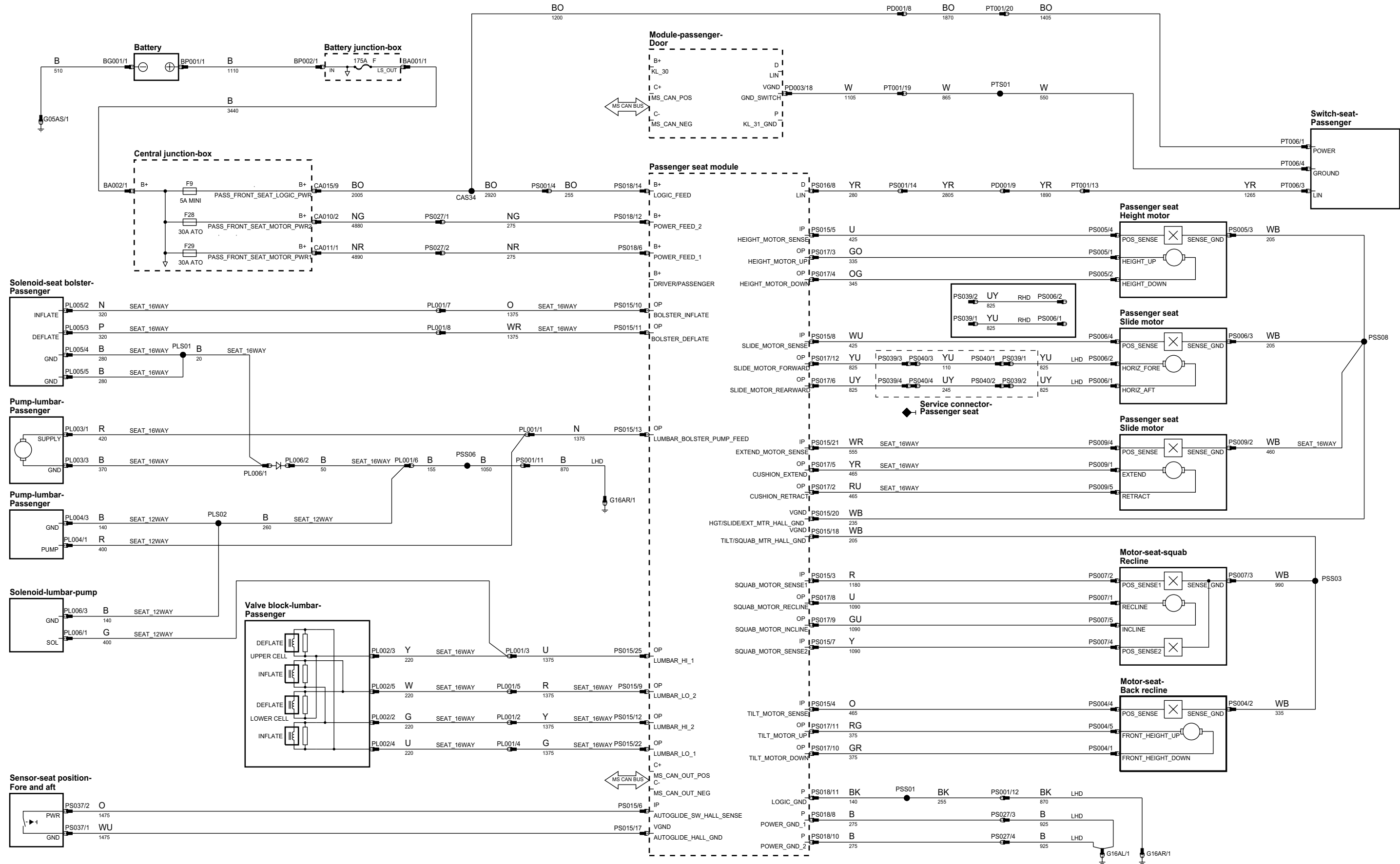
B- Battery Voltage
 IP Input
 VREF Sensor/Signal Supply V
 P Power Ground
 OP Output
 GREF Sensor/Signal Ground

HS CAN BUS High speed controller area network bus
 MS CAN BUS Medium speed controller area network bus

MOST BUS Media oriented systems transport bus
 D Serial and Encoded Data

VARIANT: All
 VIN RANGE: All
 DATE OF ISSUE: April 2006

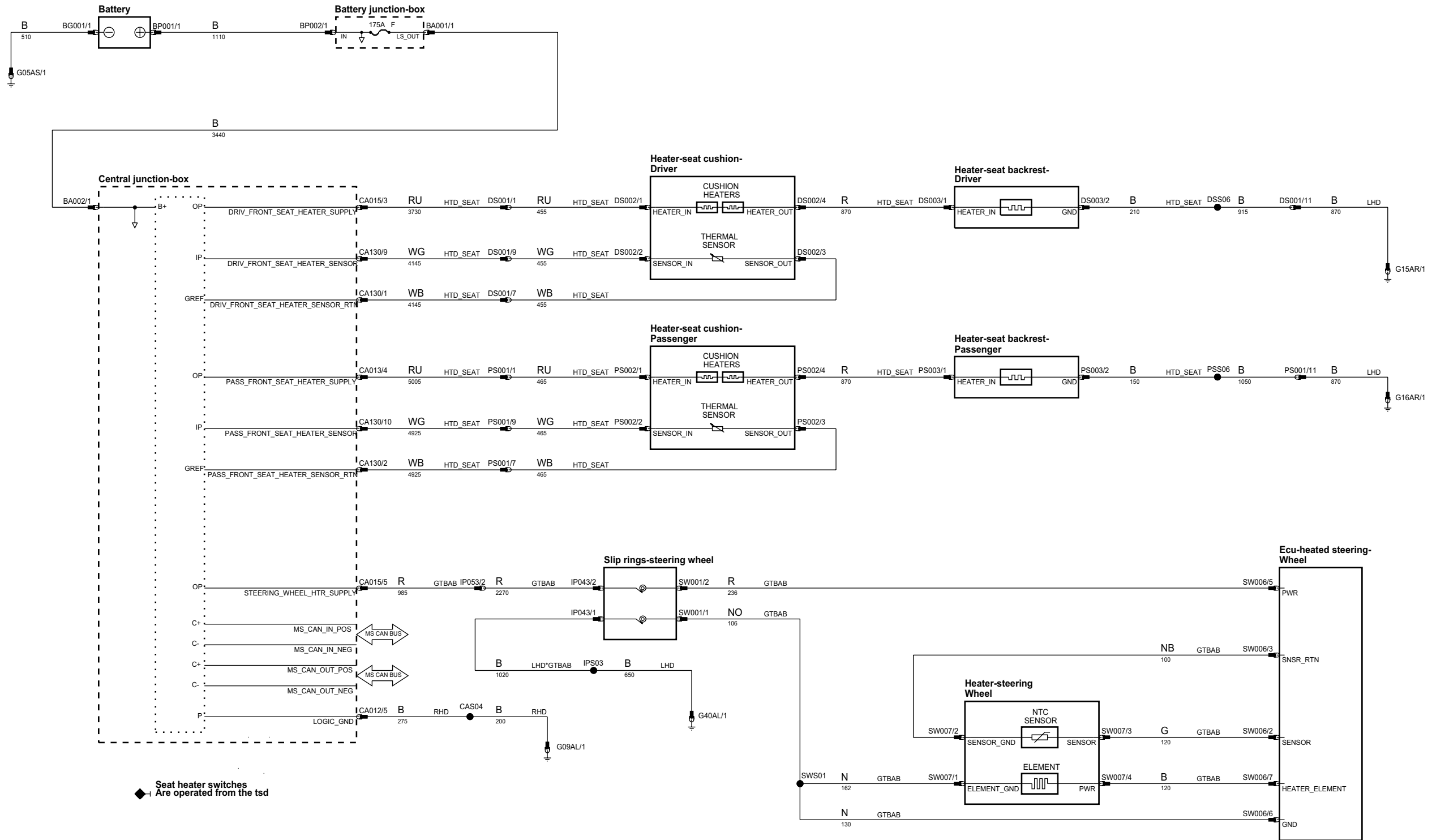
ph6w83-70346-c-ab



B- Battery Voltage	IP Input	VREF Sensor/Signal Supply V	HS CAN BUS High speed controller area network bus	MOST BUS Media oriented systems transport bus
P Power Ground	OP Output	GRF Sensor/Signal Ground	MS CAN BUS Medium speed controller area network bus	D Serial and Encoded Data

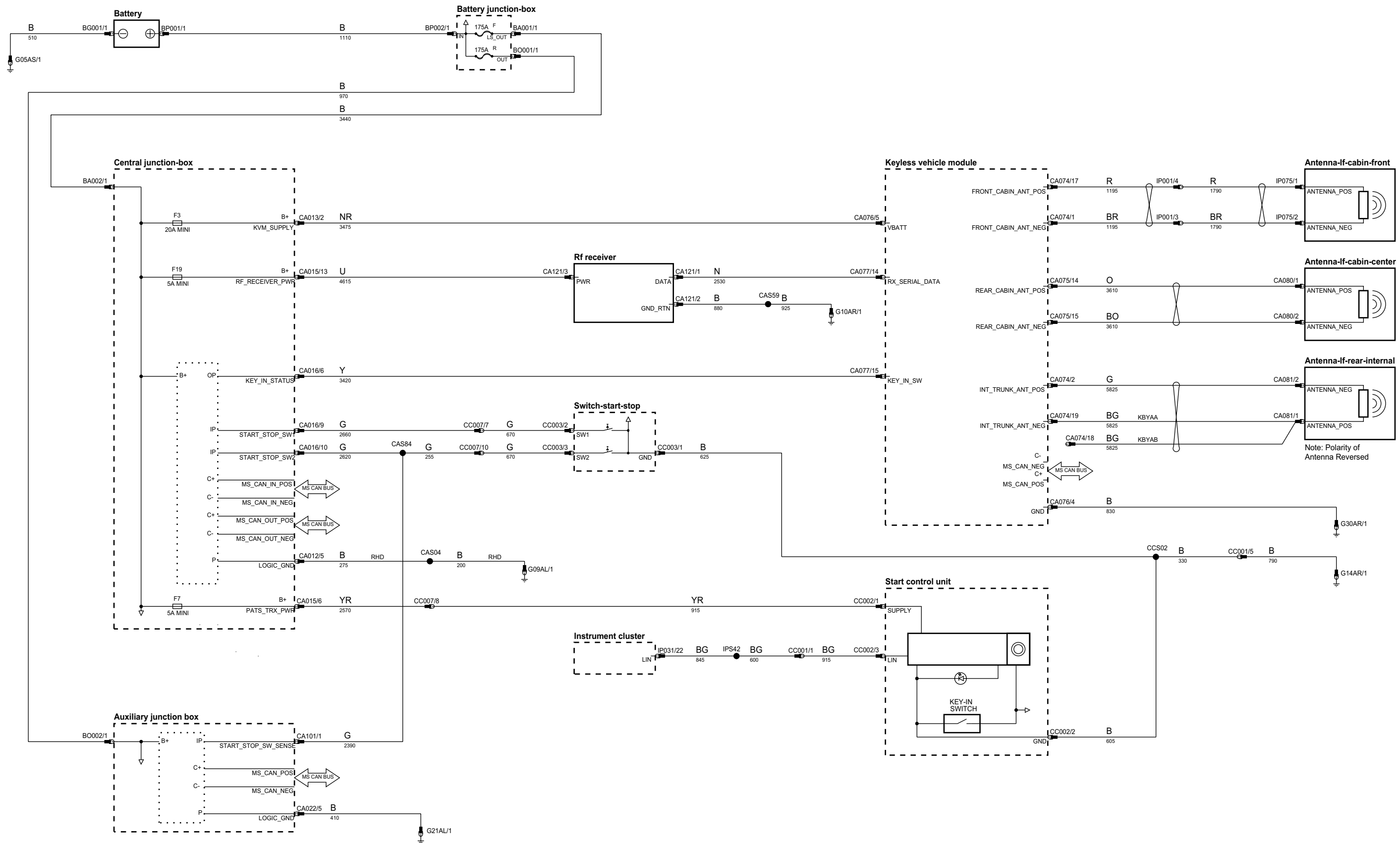
VARIANT: All
 VIN RANGE: All
 DATE OF ISSUE: April 2006

ph6w83-70347-b-ab



Seat heater switches
Are operated from the TSD

ph6w83-70417-a-ab



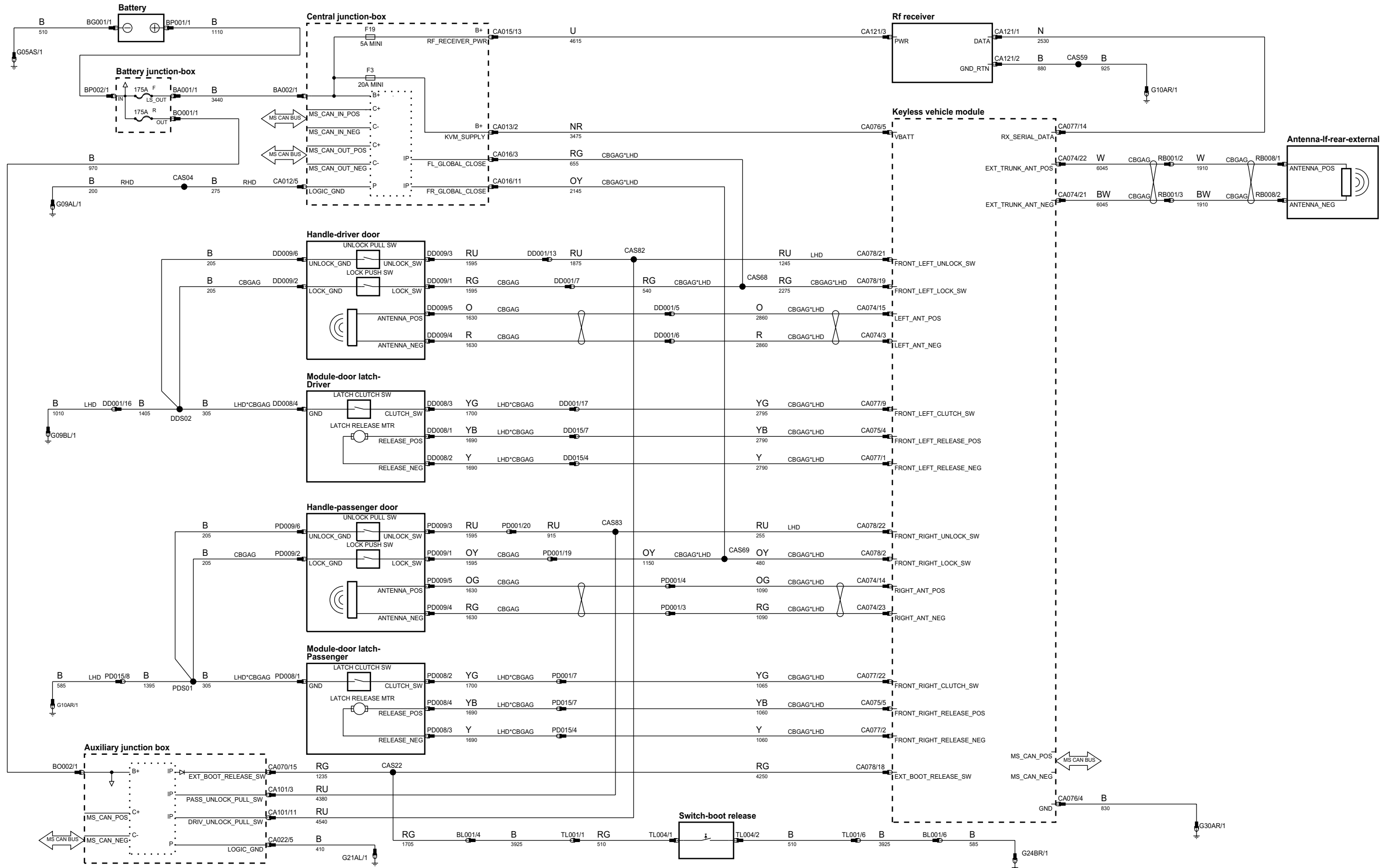
B- Battery Voltage
 P Power Ground
 IP Input
 OP Output
 VREF Sensor/Signal Supply V
 GREF Sensor/Signal Ground

HS CAN BUS High speed controller area network bus
 MS CAN BUS Medium speed controller area network bus

MOST BUS Media oriented systems transport bus
 D Serial and Encoded Data

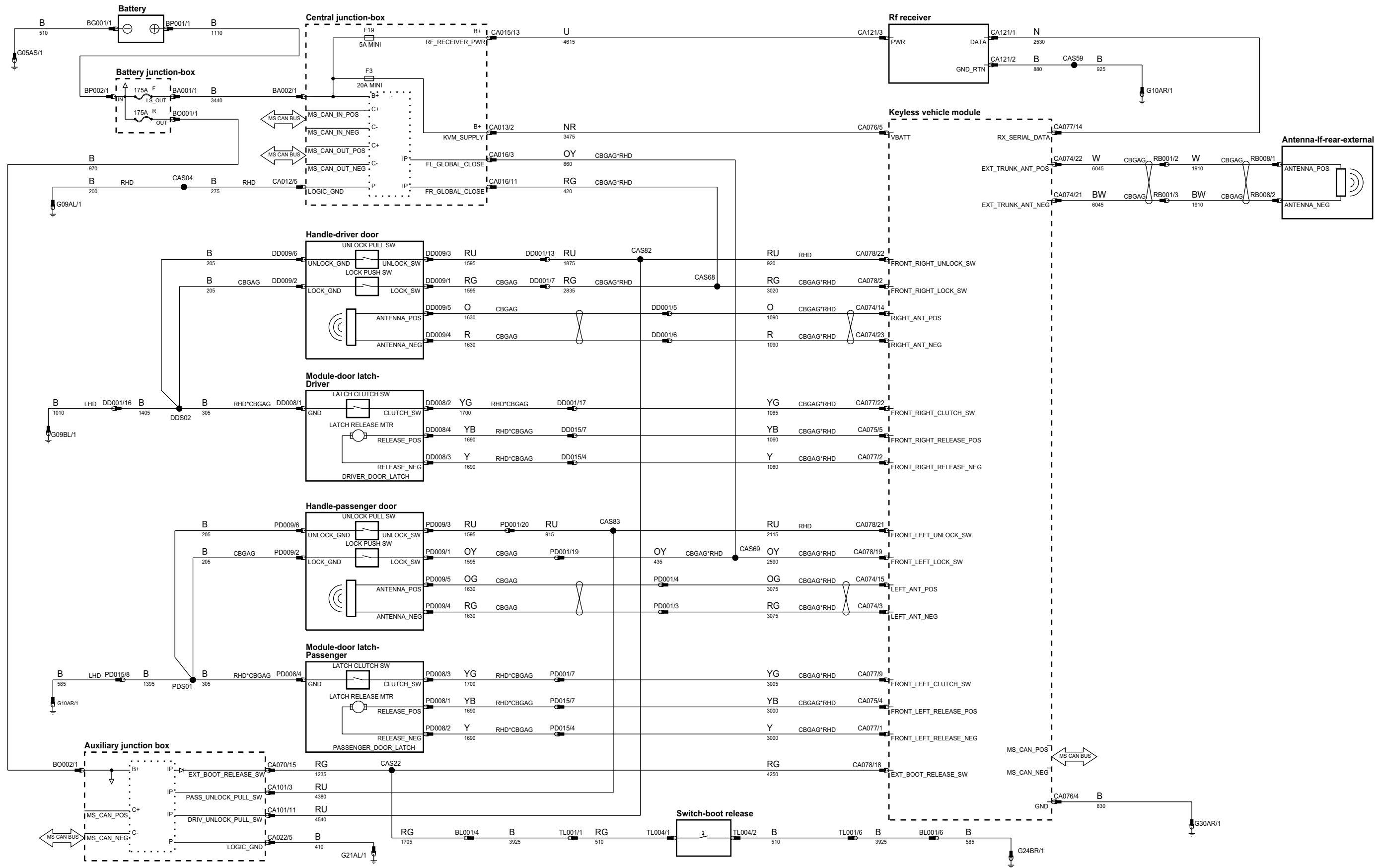
VARIANT: All
 VIN RANGE: All
 DATE OF ISSUE: April 2006

ph6w83-70410-a-ab



B- Battery Voltage	IP Input	VREF Sensor/Signal Supply V	HS CAN BUS High speed controller area network bus	MOST BUS Media oriented systems transport bus	VARIANT: Yes
P Power Ground	OP Output	GRF Sensor/Signal Ground	MS CAN BUS Medium speed controller area network bus	D Serial and Encoded Data	VIN RANGE: All
					DATE OF ISSUE: April 2006

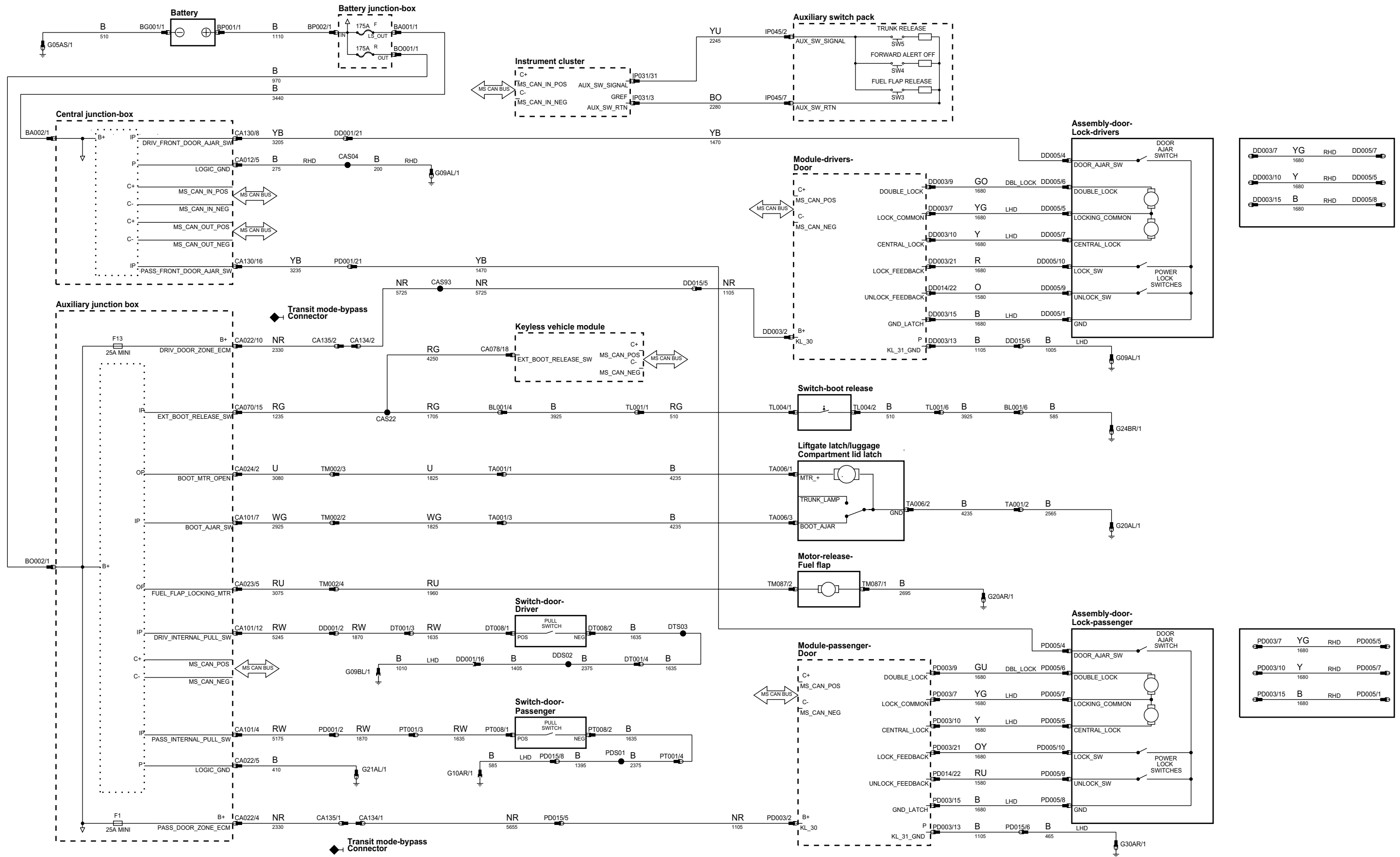
ph6w83-70410-b-aa



B - Battery Voltage	IP Input	VREF Sensor/Signal Supply V	HS CAN BUS High speed controller area network bus	MOST BUS Media oriented systems transport bus
P Power Ground	OP Output	GRF Sensor/Signal Ground	MS CAN BUS Medium speed controller area network bus	D Serial and Encoded Data

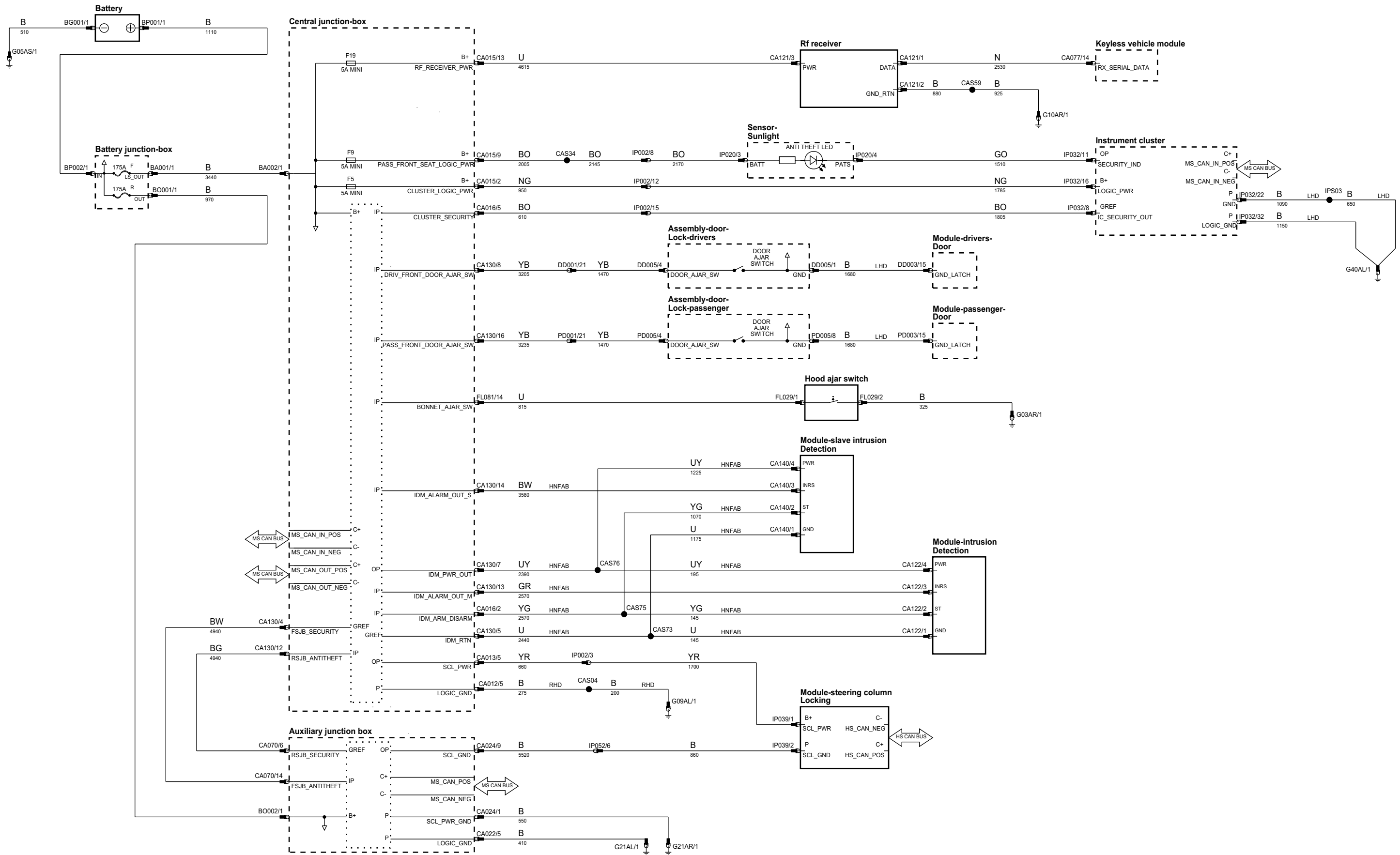
VARIANT: Yes
 VIN RANGE: All
 DATE OF ISSUE: April 2006

ph6w83-70420-b-ab



B- Battery Voltage	IP Input	VREF Sensor/Signal Supply V	HS CAN BUS High speed controller area network bus	MOST BUS Media oriented systems transport bus	VARIANT: All
P Power Ground	OP Output	GRES Sensor/Signal Ground	MS CAN BUS Medium speed controller area network bus	D Serial and Encoded Data	VIN RANGE: All
					DATE OF ISSUE: April 2006

ph6w83-70395-a-ab



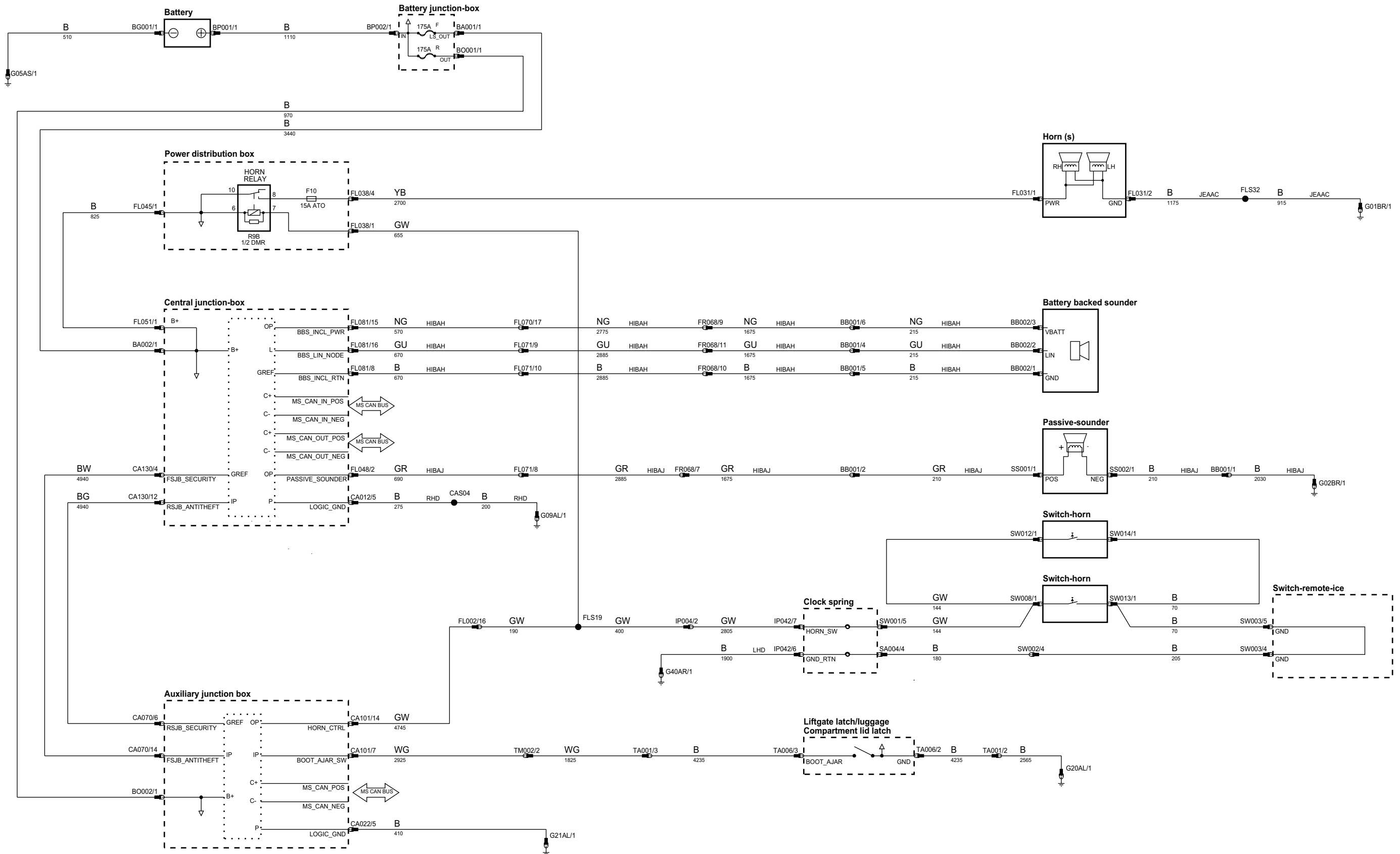
B+ Battery Voltage
 P Power Ground
 IP Input
 OP Output
 VREF Sensor/Signal Supply V
 GREF Sensor/Signal Ground

HS CAN BUS High speed controller area network bus
 MS CAN BUS Medium speed controller area network bus

MOST BUS Media oriented systems transport bus
 D Serial and Encoded Data

VARIANT: All
 VIN RANGE: All
 DATE OF ISSUE: April 2006

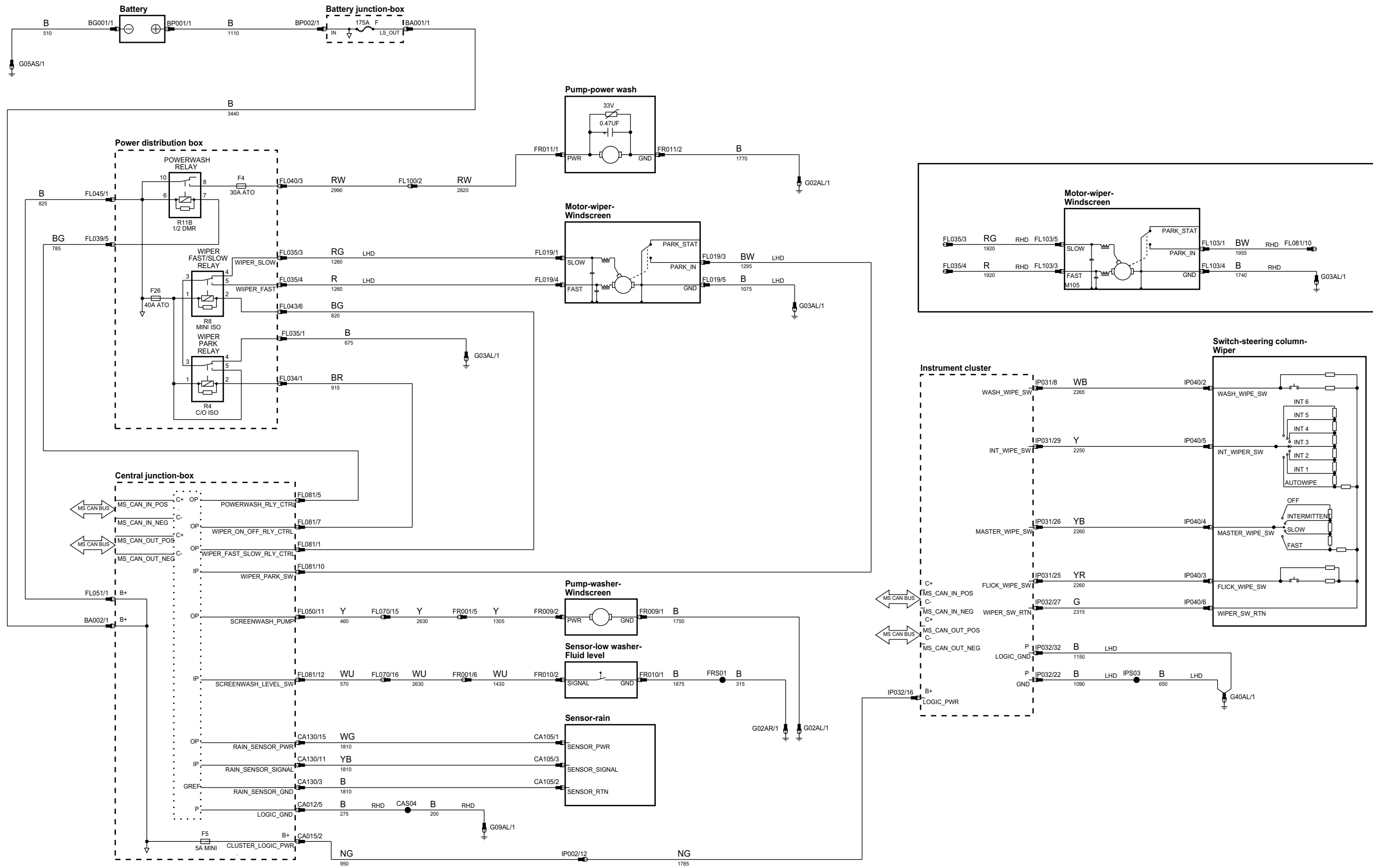
ph6w83-70395-b-ab



B- Battery Voltage	IP Input	VREF Sensor/Signal Supply V	HS CAN BUS High speed controller area network bus	MOST BUS Media oriented systems transport bus
P Power Ground	OP Output	GREF Sensor/Signal Ground	MS CAN BUS Medium speed controller area network bus	D Serial and Encoded Data

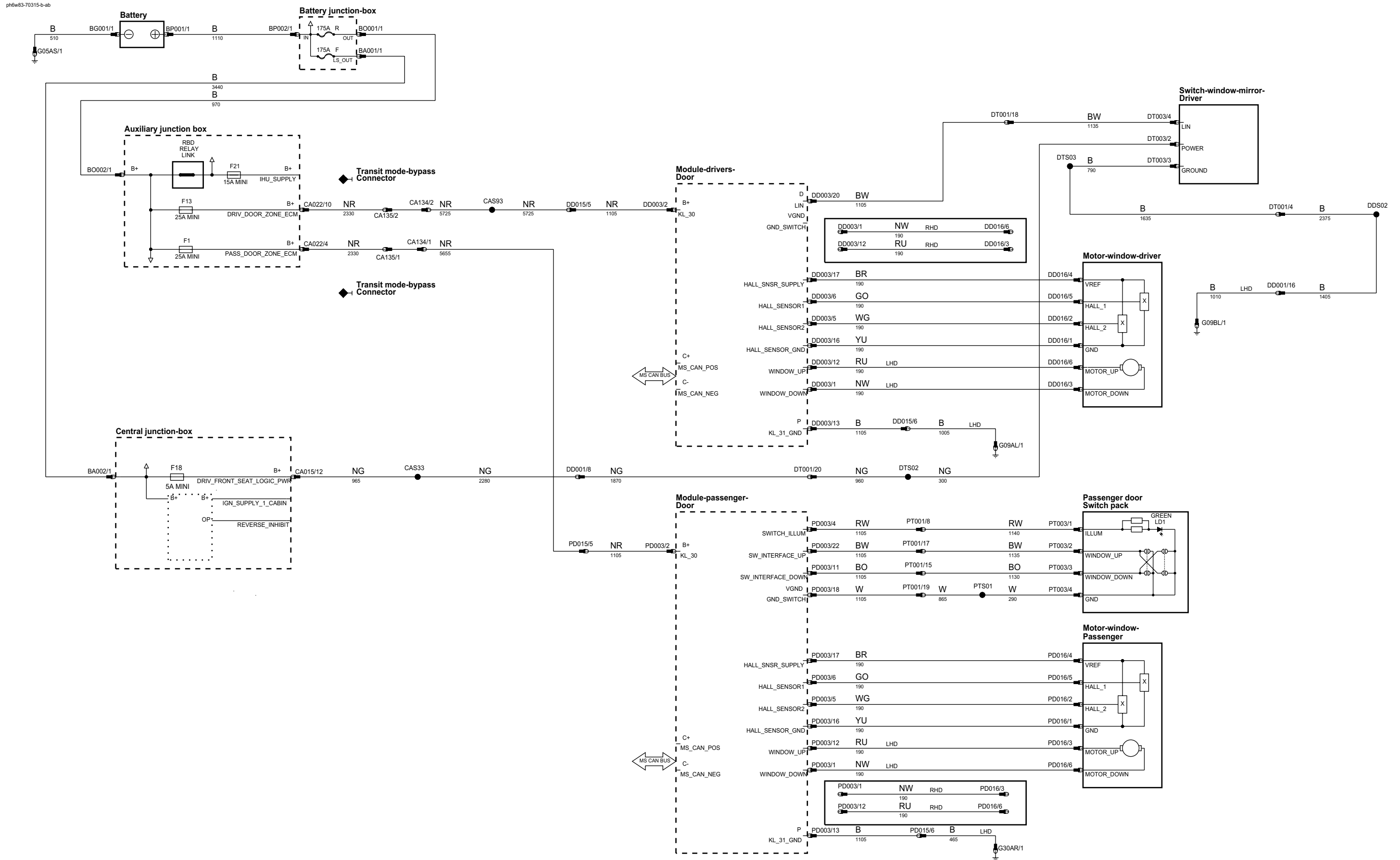
VARIANT: All
 VIN RANGE: All
 DATE OF ISSUE: April 2006

ph6w83-70133-b-ab



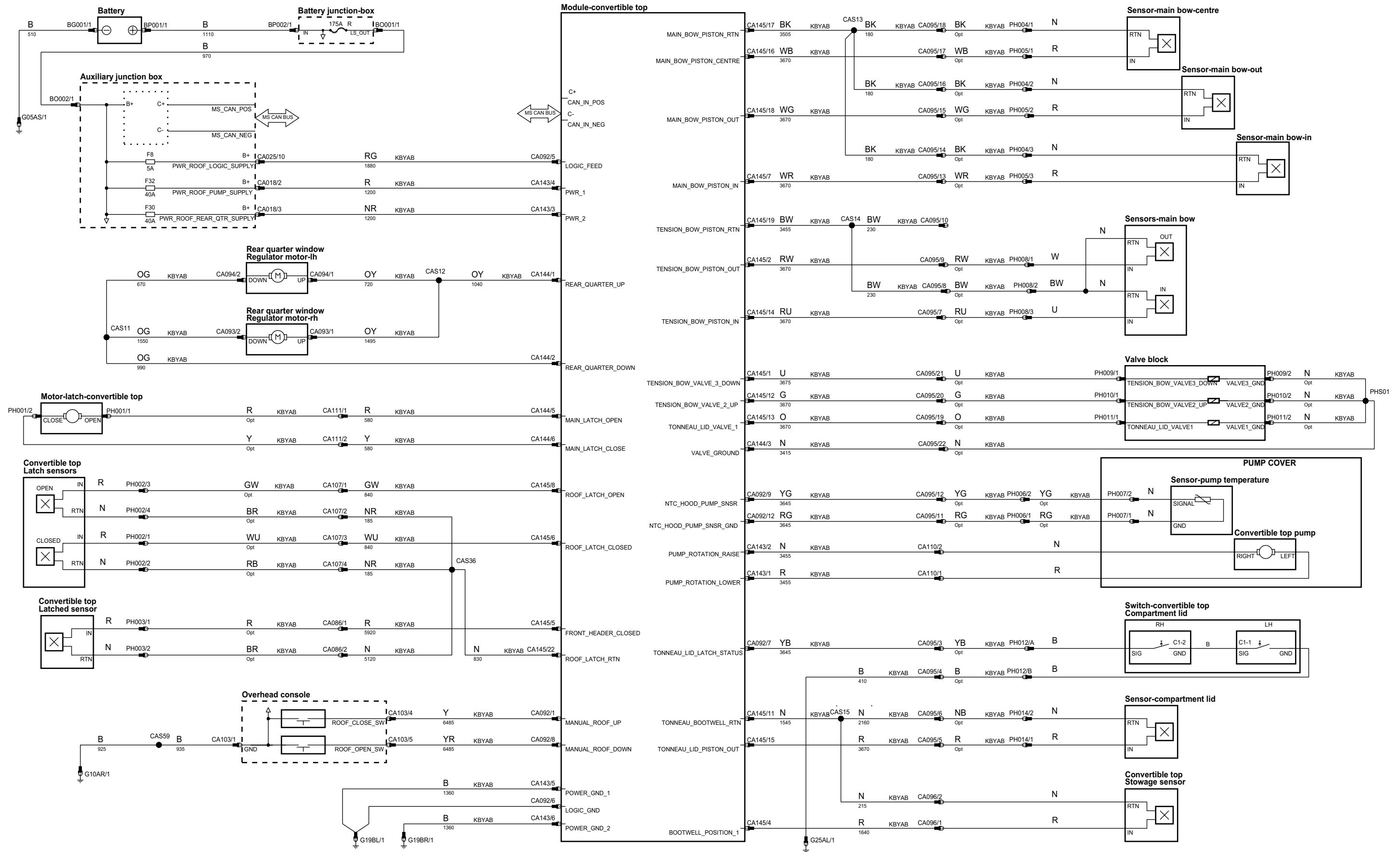
B- Battery Voltage **IP** Input **VREF** Sensor/Signal Supply V
P Power Ground **OP** Output **GRESF** Sensor/Signal Ground
HS CAN BUS High speed controller area network bus **MOST BUS** Media oriented systems transport bus
MS CAN BUS Medium speed controller area network bus **D** Serial and Encoded Data

VARIANT: All
VIN RANGE: All
DATE OF ISSUE: April 2006



B+ Battery Voltage	IP Input	VREF Sensor/Signal Supply V	HS CAN BUS High speed controller area network bus	MOST BUS Media oriented systems transport bus	VARIANT: All VIN RANGE: All DATE OF ISSUE: April 2006
P Power Ground	OP Output	GRES Sensor/Signal Ground	MS CAN BUS Medium speed controller area network bus	D Serial and Encoded Data	

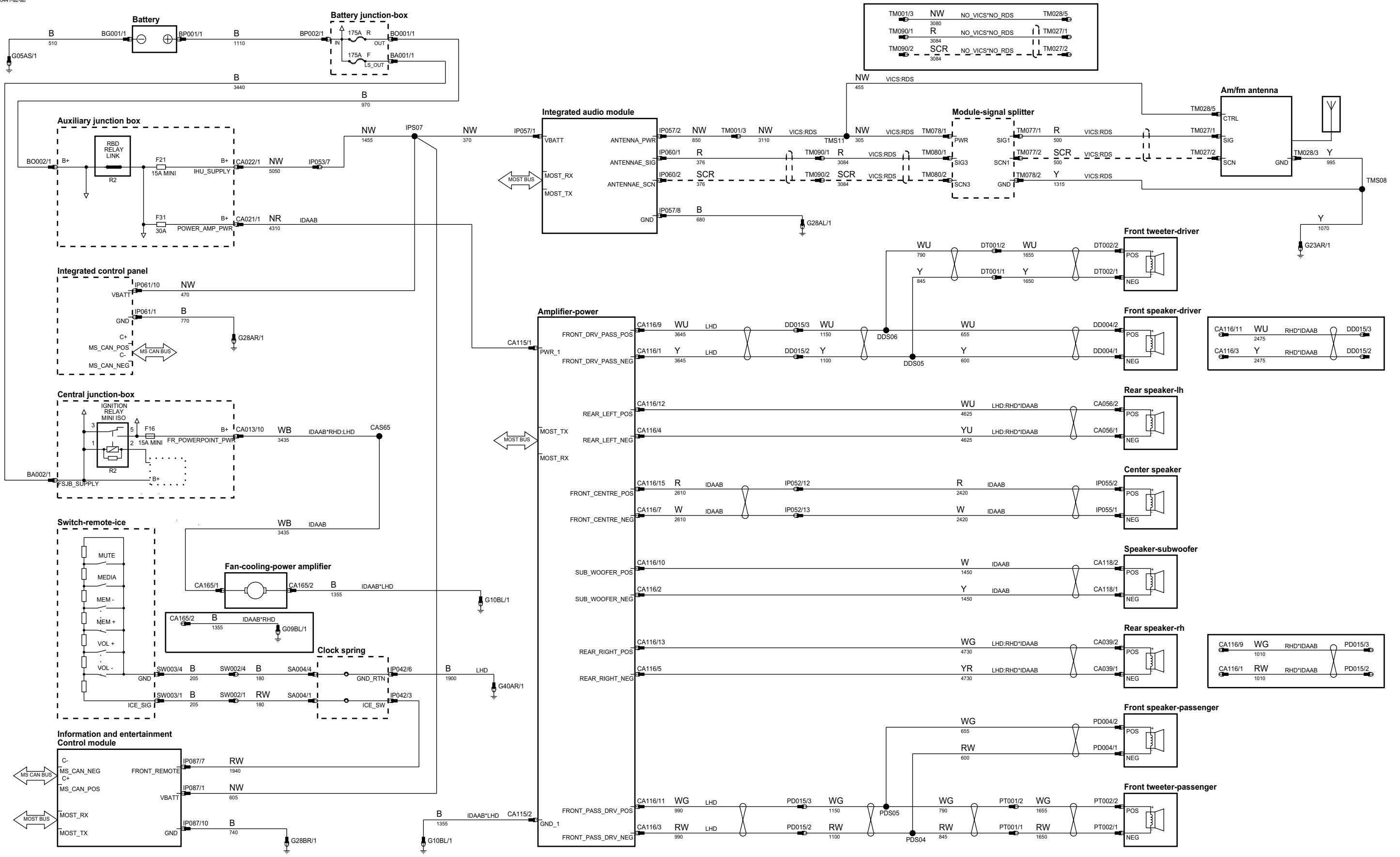
ph6w83-70351-a-ab



B - Battery Voltage	IP Input	VREF Sensor/Signal Supply V	HS CAN BUS High speed controller area network bus	MOST BUS Media oriented systems transport bus
P Power Ground	OP Output	GRES Sensor/Signal Ground	MS CAN BUS Medium speed controller area network bus	D Serial and Encoded Data

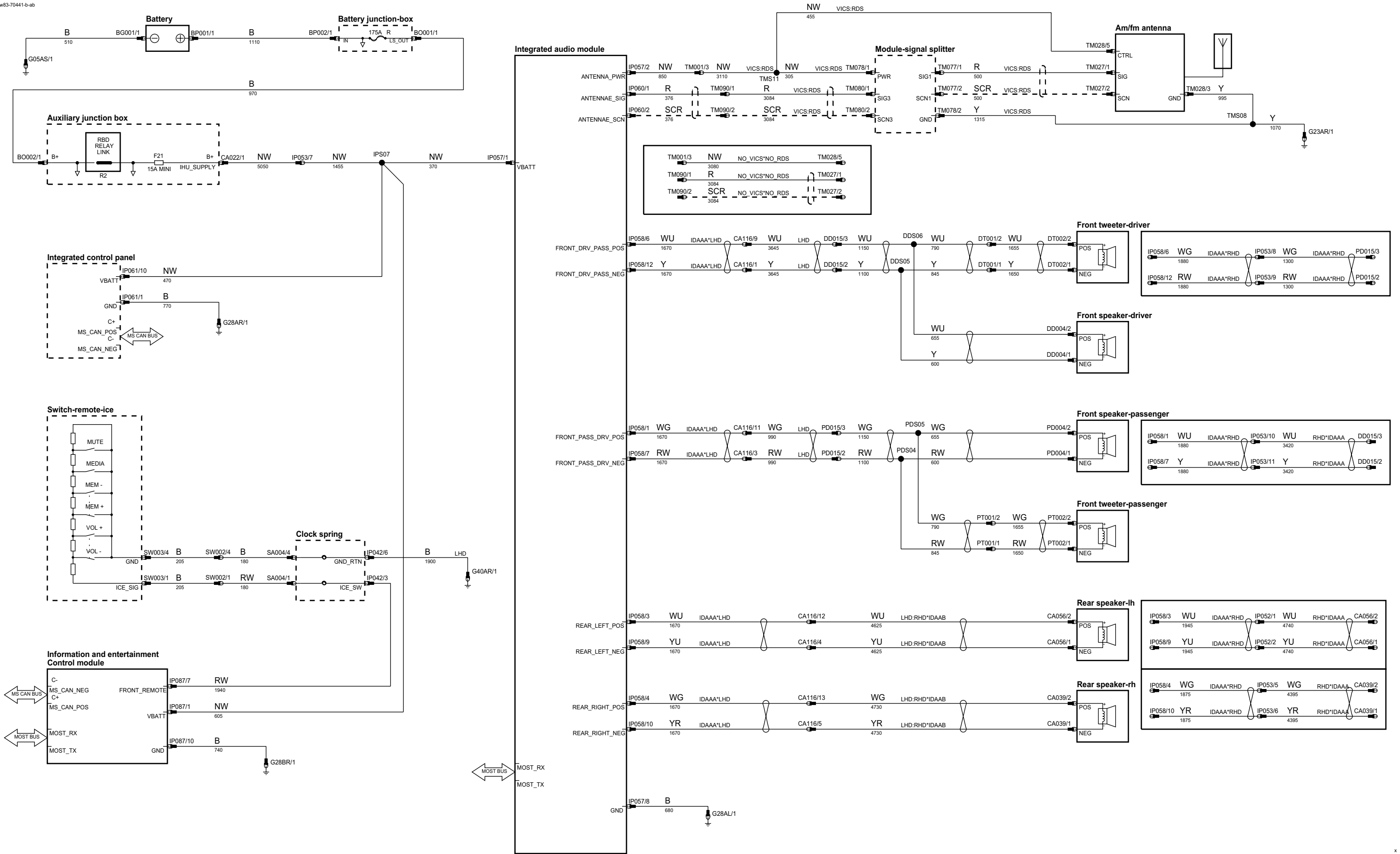
VARIANT: Yes
 VIN RANGE: All
 DATE OF ISSUE: April 2006

ph6w83-70441-a2-ab



B+ Battery Voltage	IP Input	VREF Sensor/Signal Supply V	HS CAN BUS High speed controller area network bus	MOST BUS Media oriented systems transport bus	VARIANT: Yes
P Power Ground	OP Output	GRF Sensor/Signal Ground	MS CAN BUS Medium speed controller area network bus	D Serial and Encoded Data	VIN RANGE: All
					DATE OF ISSUE: April 2006

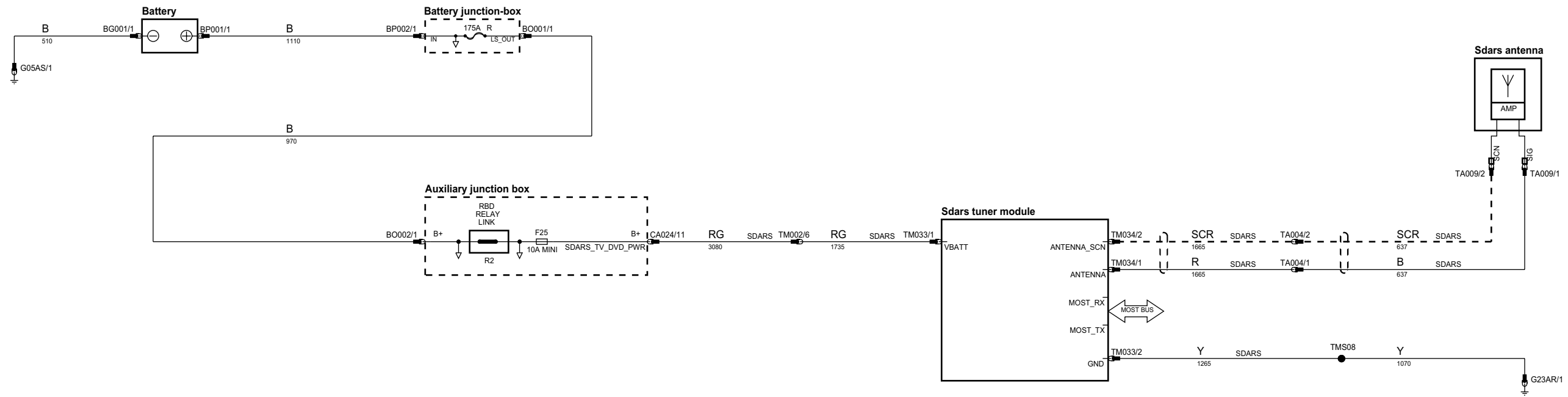
ph6w83-70441-b-ab



B - Battery Voltage	IP Input	VREF Sensor/Signal Supply V	HS CAN BUS High speed controller area network bus	MOST BUS Media oriented systems transport bus
P Power Ground	OP Output	GRES Sensor/Signal Ground	MS CAN BUS Medium speed controller area network bus	D Serial and Encoded Data

VARIANT: Yes
VIN RANGE: All
DATE OF ISSUE: April 2006

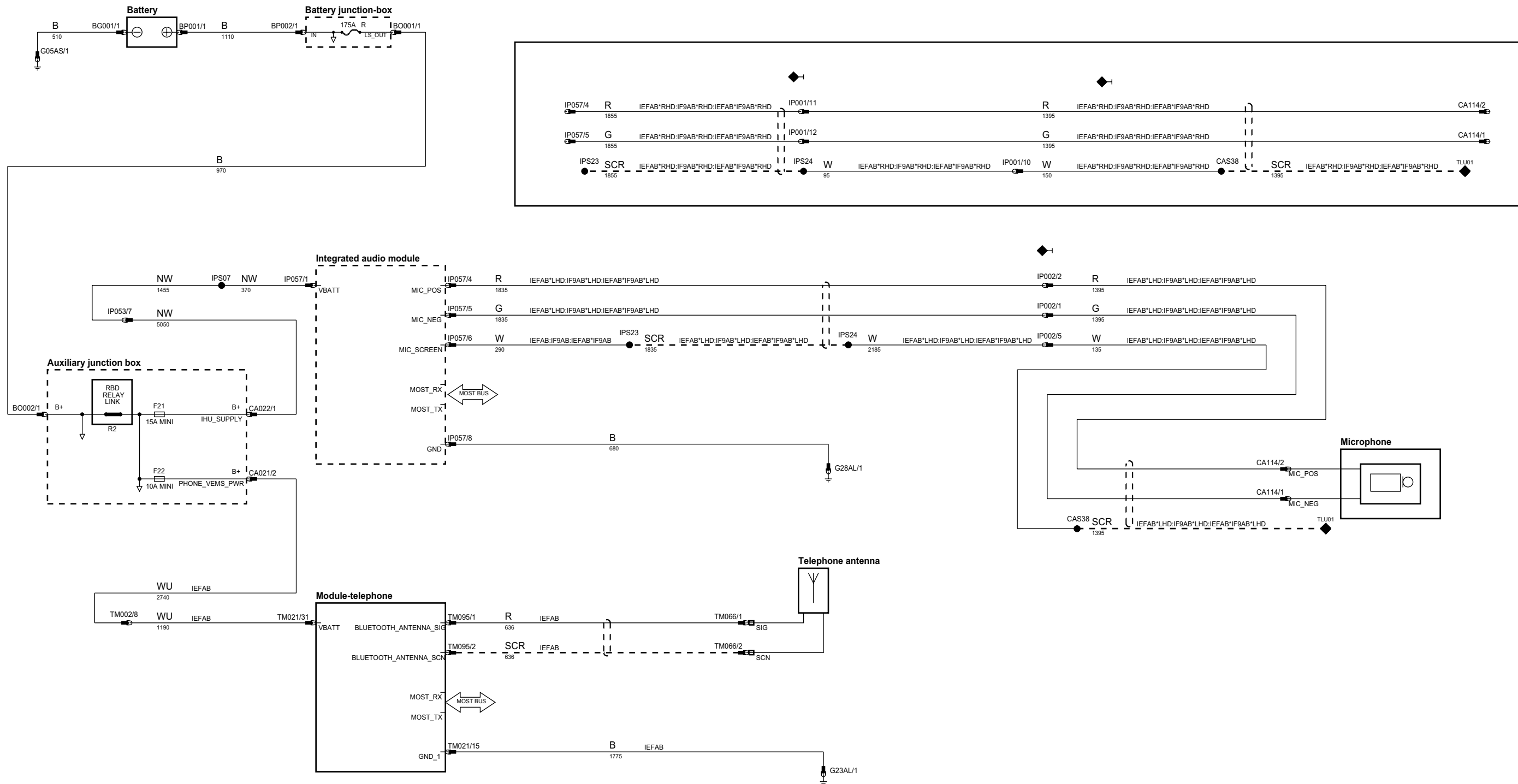
ph6w83-70456-a-ab



B - Battery Voltage	IP Input	VREF Sensor/Signal Supply V	HS CAN BUS High speed controller area network bus	MOST BUS Media oriented systems transport bus	VARIANT: Yes
P Power Ground	OP Output	GRES Sensor/Signal Ground	MS CAN BUS Medium speed controller area network bus	D Serial and Encoded Data	VIN RANGE: All
					DATE OF ISSUE: April 2006

x

ph6w83-70462-a2-ab



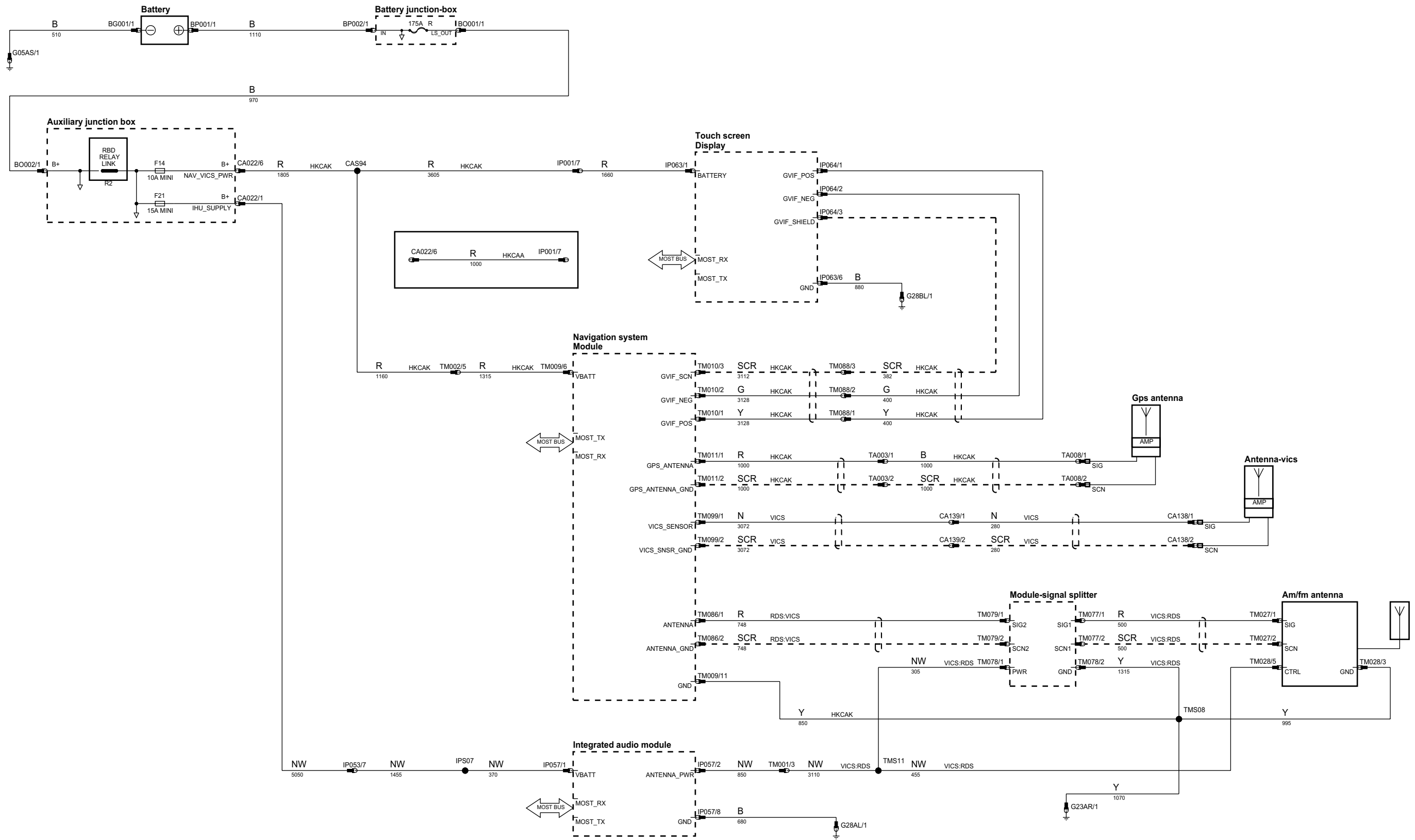
B- Battery Voltage
P Power Ground
IP Input
OP Output
VREF Sensor/Signal Supply V
GREF Sensor/Signal Ground

HS CAN BUS High speed controller area network bus
MS CAN BUS Medium speed controller area network bus

MOST BUS Media oriented systems transport bus
D Serial and Encoded Data

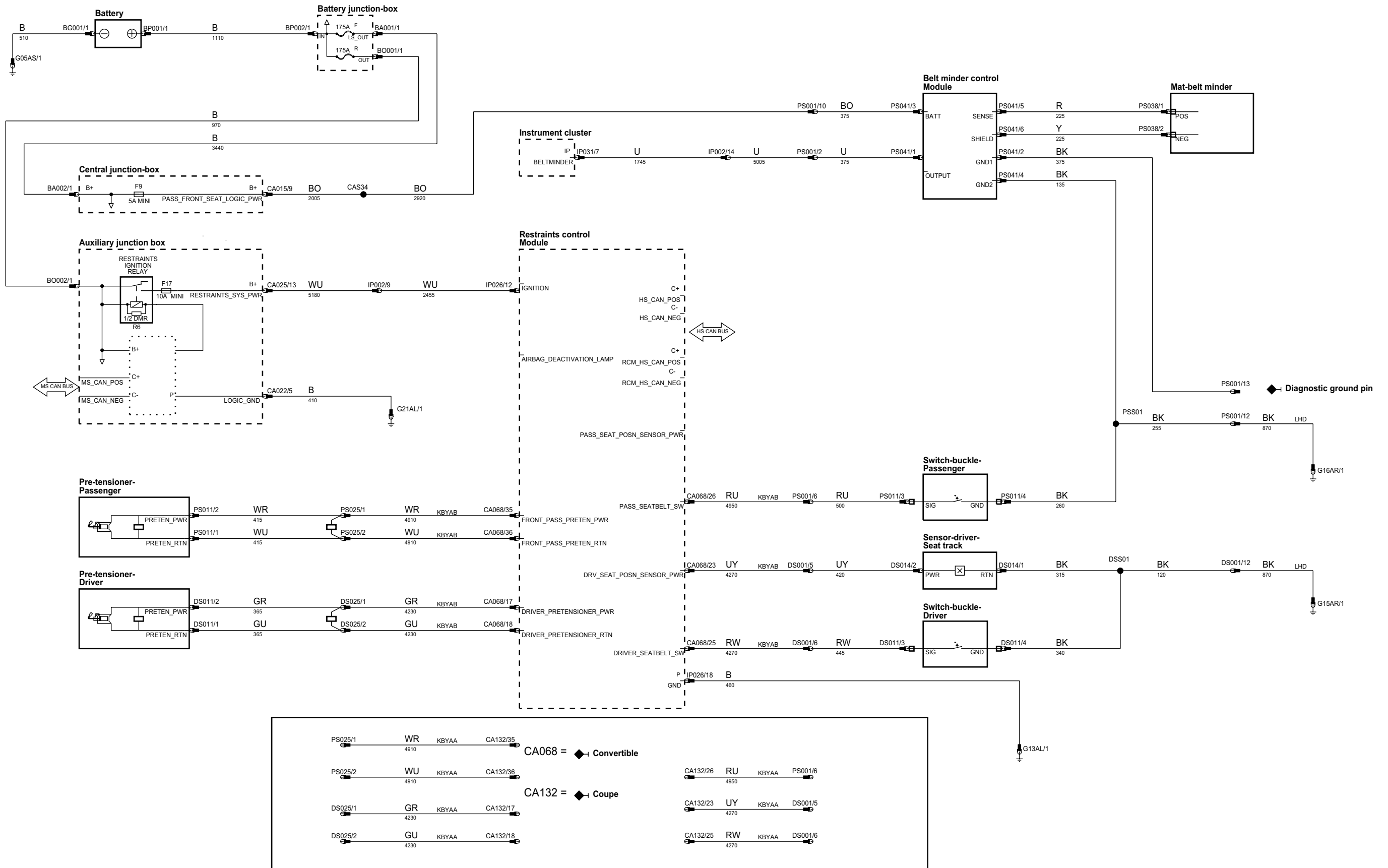
VARIANT: Yes
VIN RANGE: All
DATE OF ISSUE: April 2006

ph6w83-70478-a-ab

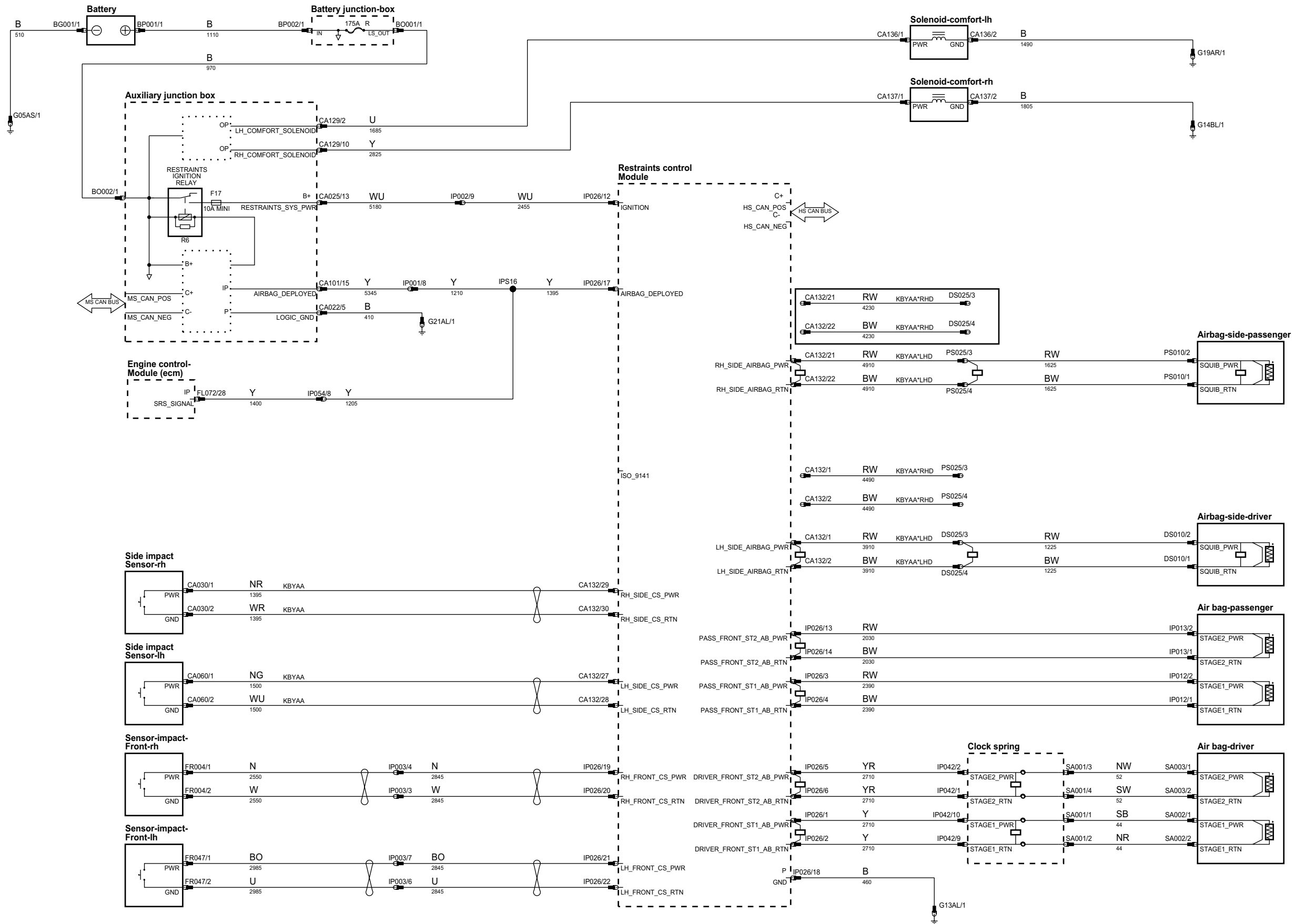


B- Battery Voltage	IP Input	VREF Sensor/Signal Supply V	HS CAN BUS High speed controller area network bus	MOST BUS Media oriented systems transport bus	VARIANT: Yes
P Power Ground	OP Output	GREF Sensor/Signal Ground	MS CAN BUS Medium speed controller area network bus	D Serial and Encoded Data	VIN RANGE: All
					DATE OF ISSUE: April 2006

ph6w83-70150-a2-ab



ph6w83-70150-b2-ab



B- Battery Voltage
P Power Ground

IP Input
OP Output

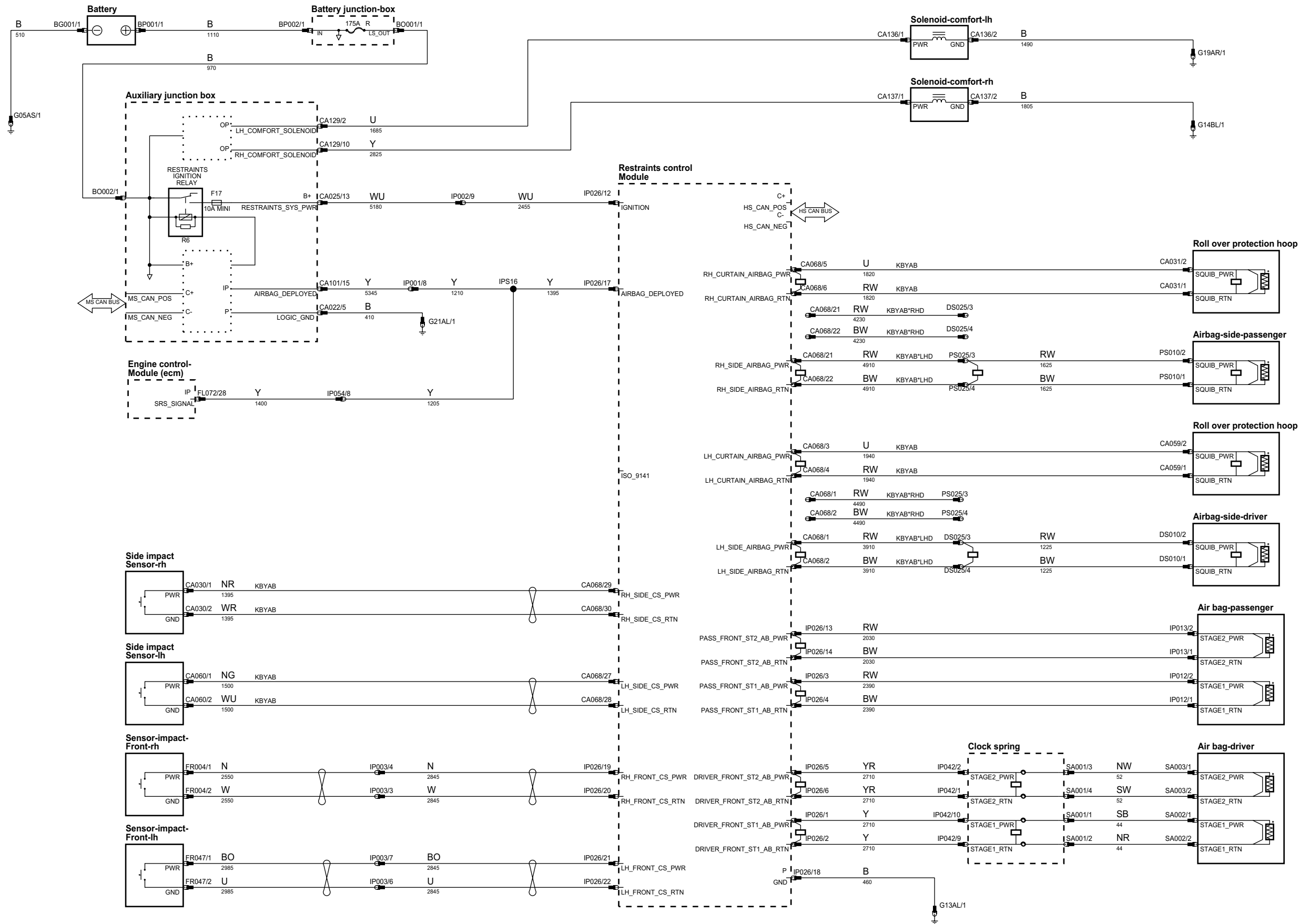
VREF Sensor/Signal Supply V
GREF Sensor/Signal Ground

HS CAN BUS High speed controller area network bus
MS CAN BUS Medium speed controller area network bus

MOST BUS Media oriented systems transport bus
D Serial and Encoded Data

VARIANT: Yes
VIN RANGE: All
DATE OF ISSUE: April 2006

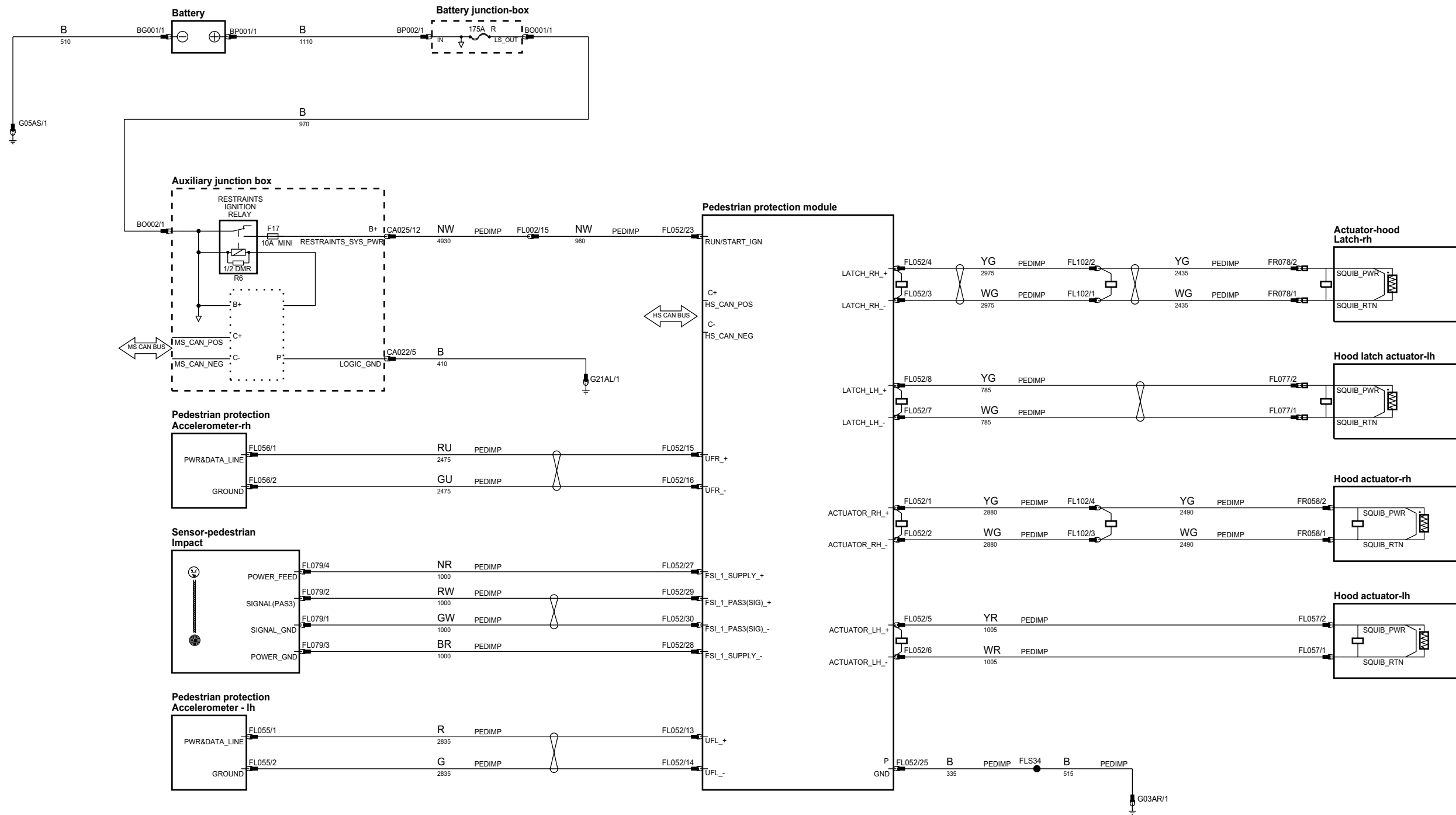
ph6w83-70150-b-ab



B - Battery Voltage	IP Input	VREF Sensor/Signal Supply V	HS CAN BUS High speed controller area network bus	MOST BUS Media oriented systems transport bus
P Power Ground	OP Output	GRES Sensor/Signal Ground	MS CAN BUS Medium speed controller area network bus	D Serial and Encoded Data

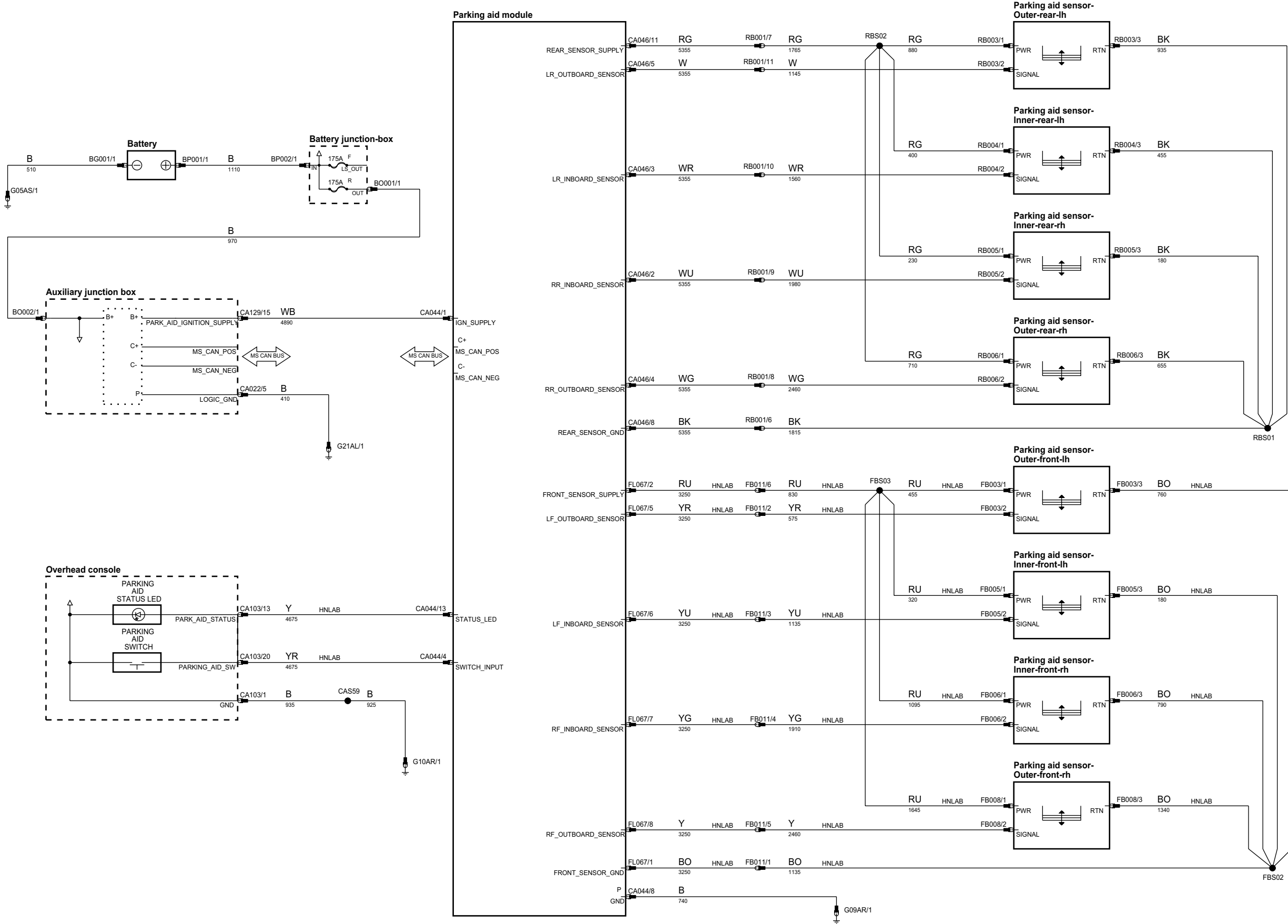
VARIANT: Yes
VIN RANGE: All
DATE OF ISSUE: April 2006

ph6w83-70152-a-ab



B- Battery Voltage	IP Input	VREF Sensor/Signal Supply V	HS CAN BUS High speed controller area network bus	MOST BUS Media oriented systems transport bus	VARIANT: Yes
P Power Ground	OP Output	GRF Sensor/Signal Ground	MS CAN BUS Medium speed controller area network bus	D Serial and Encoded Data	VIN RANGE: All
					DATE OF ISSUE: April 2006

ph6w83-70481-b-ab

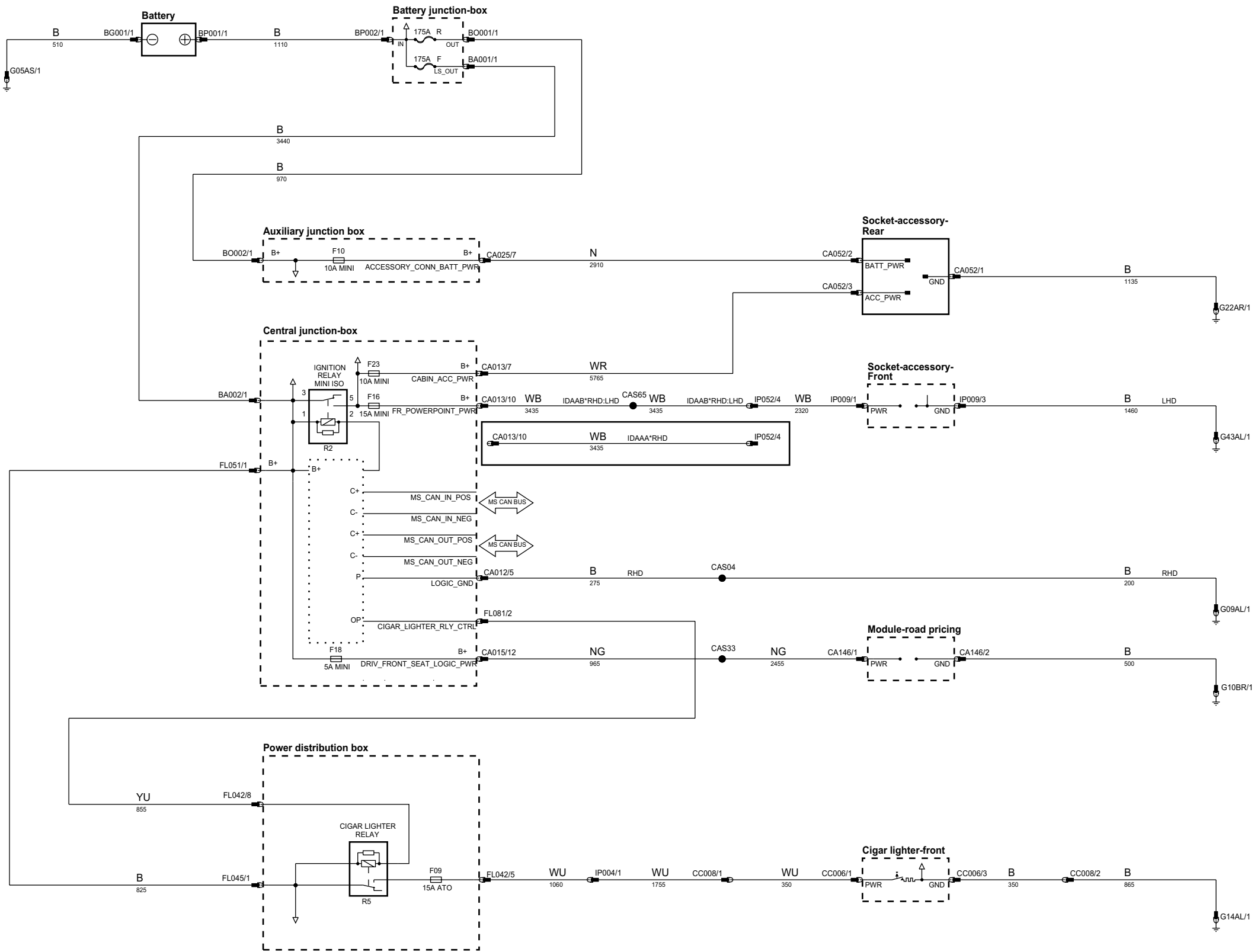


B- Battery Voltage
P Power Ground
IP Input
OP Output
VREF Sensor/Signal Supply V
GREF Sensor/Signal Ground

HS CAN BUS High speed controller area network bus
MS CAN BUS Medium speed controller area network bus
MOST BUS Media oriented systems transport bus
D Serial and Encoded Data

VARIANT: All
VIN RANGE: All
DATE OF ISSUE: April 2006

ph6w63-70172-a-ab



B+ Battery Voltage
P Power Ground

IP Input
OP Output

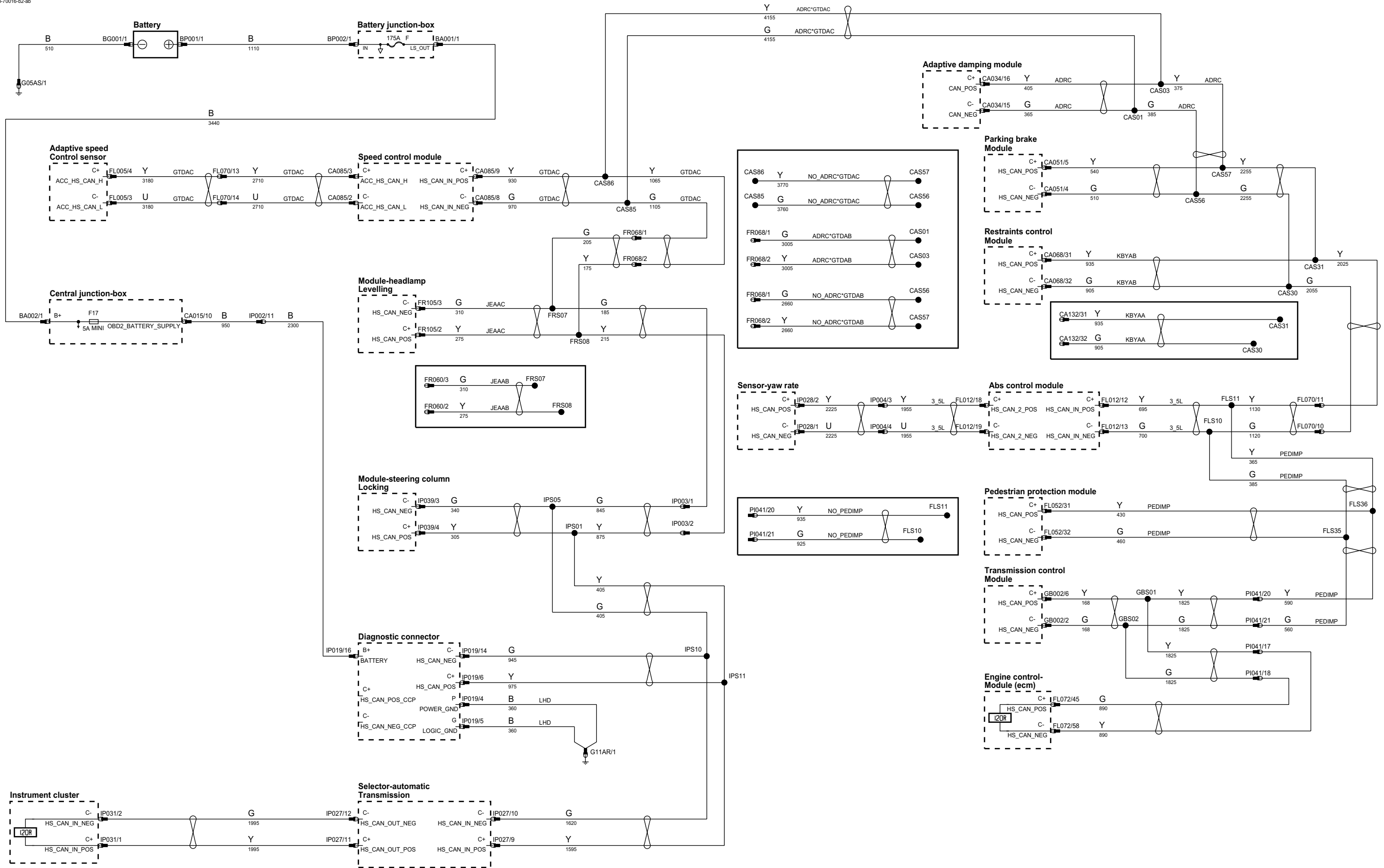
VREF Sensor/Signal Supply V
GREF Sensor/Signal Ground

HS CAN BUS High speed controller area network bus
MS CAN BUS Medium speed controller area network bus

MOST BUS Media oriented systems transport bus
D Serial and Encoded Data

VARIANT: All
VIN RANGE: All
DATE OF ISSUE: April 2006

ph6w83-70016-b2-ab



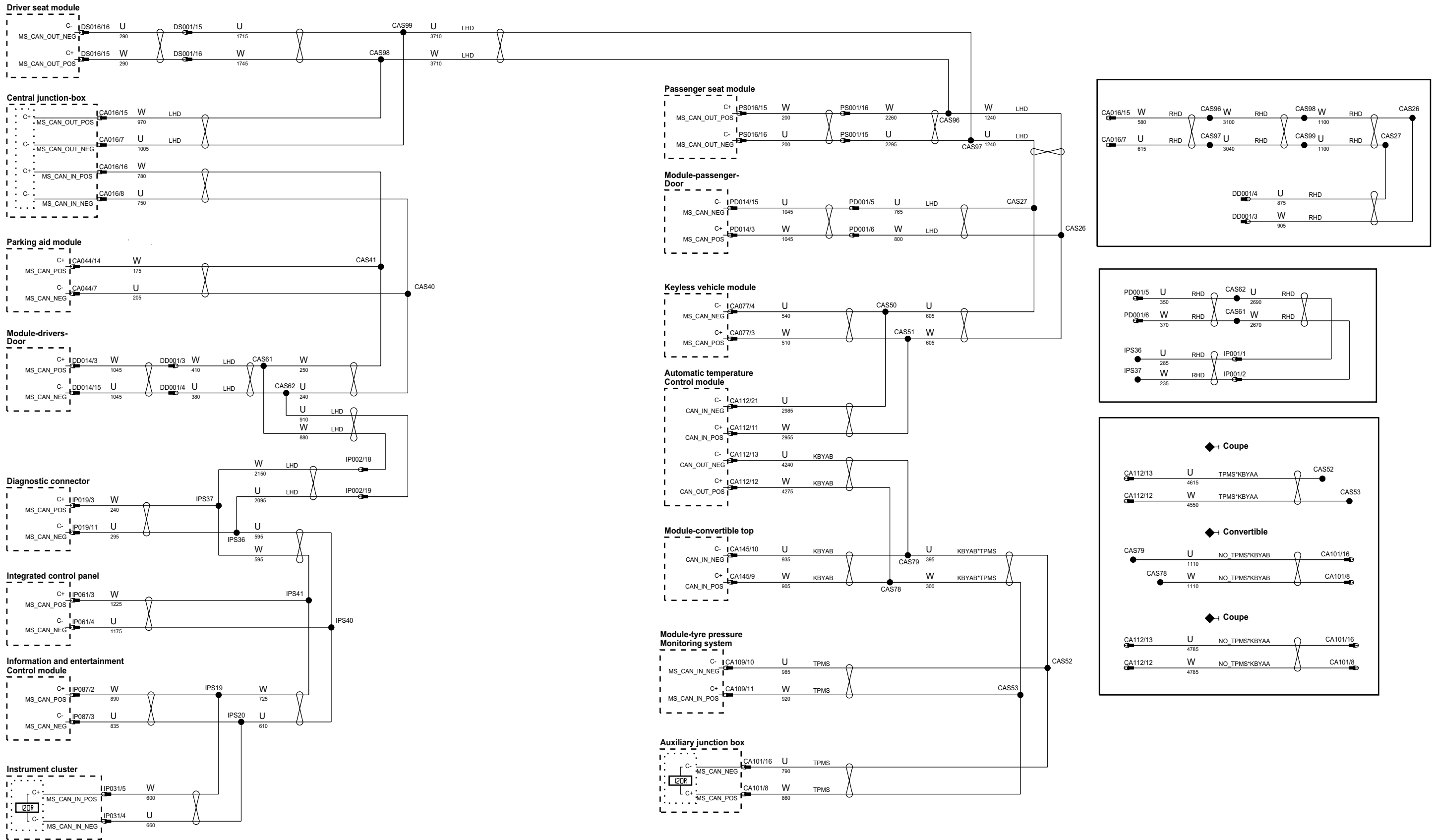
B- Battery Voltage
 P Power Ground
 IP Input
 OP Output
 VREF Sensor/Signal Supply V
 GREF Sensor/Signal Ground

HS CAN BUS High speed controller area network bus
 MS CAN BUS Medium speed controller area network bus

MOST BUS Media oriented systems transport bus
 D Serial and Encoded Data

VARIANT: All
 VIN RANGE: All
 DATE OF ISSUE: April 2006

ph6w83-70016-a2-ab



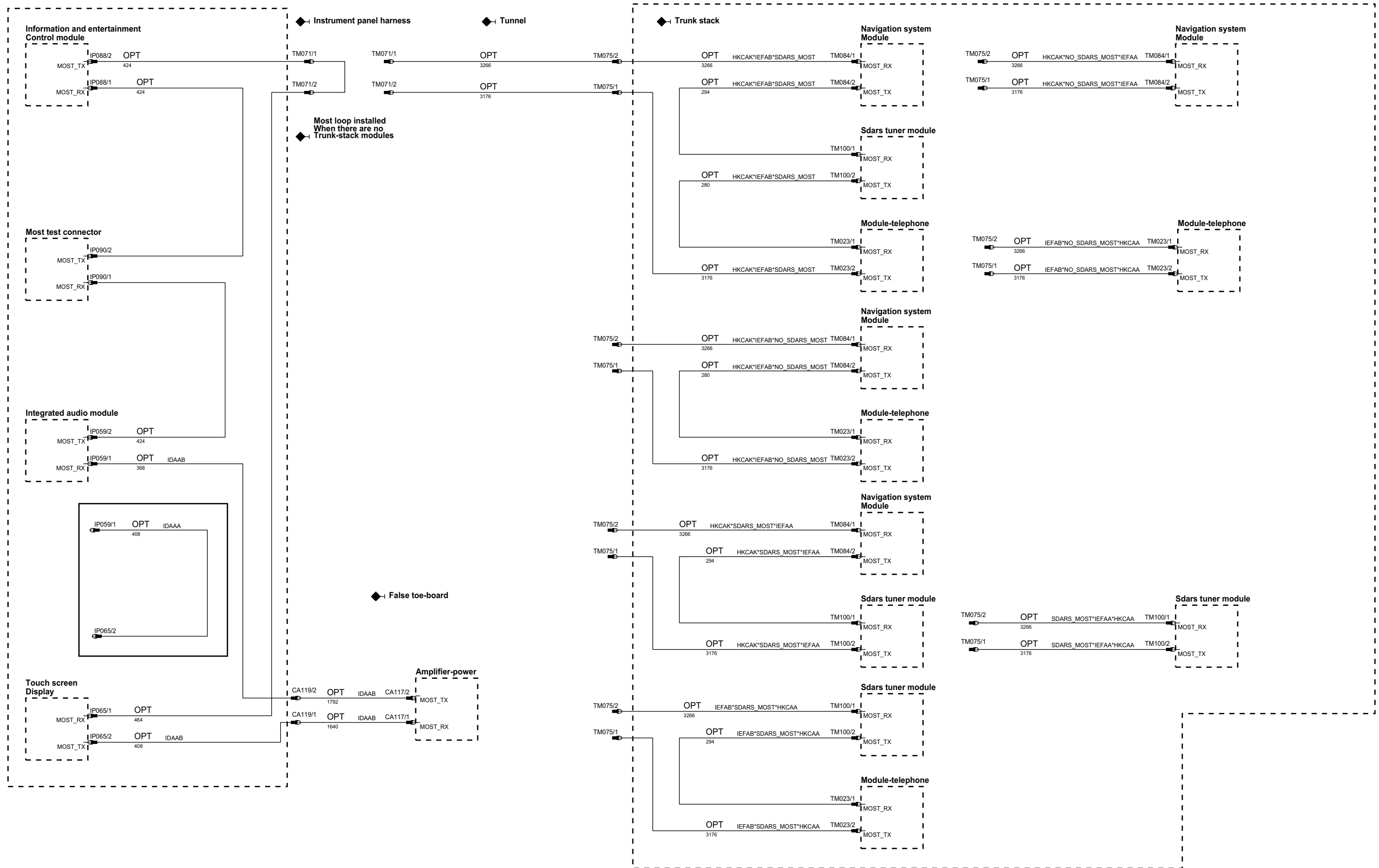
B- Battery Voltage
 P Power Ground
 IP Input
 OP Output
 VREF Sensor/Signal Supply V
 GREF Sensor/Signal Ground

HS CAN BUS High speed controller area network bus
 MS CAN BUS Medium speed controller area network bus

MOST BUS Media oriented systems transport bus
 D Serial and Encoded Data

VARIANT: All
 VIN RANGE: All
 DATE OF ISSUE: April 2006

16w63-70016-c2-ab



B- Battery Voltage **IP** Input **VREF** Sensor/Signal Supply V **HS CAN BUS** High speed controller area network bus **MOST BUS** Media oriented systems transport bus
P Power Ground **OP** Output **GRES** Sensor/Signal Ground **MS CAN BUS** Medium speed controller area network bus **D** Serial and Encoded Data

VARIANT: All
VIN RANGE: All
DATE OF ISSUE: April 2006

Connector	Description	Colour	Cavities	Location	Harness
AC001	Main harness to air conditioning (A/C) harness	Natural	2	Behind passenger side of fascia	CABIN RH
AC001	Main harness to air conditioning (A/C) harness	Natural	2	Behind passenger side of fascia	ATC LHD
AC001	Main harness to air conditioning (A/C) harness	Natural	2	Behind passenger side of fascia	ATC RHD
AC001	Main harness to air conditioning (A/C) harness	Natural	2	Behind passenger side of fascia	CABIN LH
AC002	ECU-Automatic-Temperature Control	Natural	30	Behind passenger side of fascia	ATC RHD
AC002	ECU-Automatic-Temperature Control	Natural	30	Behind passenger side of fascia	ATC LHD
AC004	Motor-Blower	Natural	2	Behind passenger side of fascia	ATC LHD
AC004	Motor-Blower	Natural	2	Behind passenger side of fascia	ATC LHD
AC005	Control unit-Blower-motor-Front	Black	5	Behind passenger side of fascia	ATC LHD
AC005	Control unit-Blower-motor-Front	Black	5	Behind passenger side of fascia	ATC RHD
AC007	Sensor-Evaporator	Natural	2	Under RH side of dash	ATC LHD
AC007	Sensor-Evaporator	Natural	2	Under RH side of dash	ATC RHD
AC008	RH air temperature door motor	Blue	6	Behind center of dash	ATC LHD
AC008	RH air temperature door motor	Blue	6	Behind center of dash	ATC RHD
AC010	Motor-Recirculated air	Green	7	Behind passenger side of fascia	ATC LHD
AC010	Motor-Recirculated air	Green	7	Behind passenger side of fascia	ATC RHD
AC011	Screen air distribution door motor	Black	6	Behind center of dash	ATC LHD
AC011	Screen air distribution door motor	Black	6	Behind center of dash	ATC RHD
AC012	Face/feet air distribution door motor	Black	6	Behind center of dash	ATC LHD
AC012	Face/feet air distribution door motor	Black	6	Behind center of dash	ATC RHD
AC015	LH air temperature door motor	Blue	6	Behind center of dash	ATC LHD
AC015	LH air temperature door motor	Blue	6	Behind center of dash	ATC RHD
BA001	Battery junction box	None	1	Luggage compartment - LH side	
BA002	Central junction-box	None	1	Base of LH 'A' post	
BB001	Power distribution box right harness to BBUS link harness	Black	6	Rear RH side of engine compartment	FRONT RIGHT
BB001	BBUS link harness to power distribution box right harness	Black	6	Rear RH side of engine compartment	BBUS LINK
BB002	Battery backed sounder	Black	3	Rear LH side of engine compartment	BBUS LINK
BG001	Battery	None	1	Luggage compartment - LH side	
BL001	Main harness to tailgate harness	Grey	8	Rear of luggage compartment - LH side	CABIN RH
BL001	Tailgate harness to main harness	Grey	8	Rear of luggage compartment - LH side	TAILGATE LINK
BL001	Tailgate harness to main harness	Grey	8	Rear of luggage compartment - LH side	BOOTLID LINK
BL001	Main harness to tailgate harness	Grey	8	Rear of luggage compartment - LH side	CABIN LH
BL002	Main harness to tailgate harness	Light Grey	2	Rear of luggage compartment - LH side	CABIN LH
BL002	Main harness to tailgate harness	Light Grey	2	Rear of luggage compartment - LH side	CABIN RH
BL002	Tailgate harness to main harness	Grey	2	Rear of luggage compartment - LH side	TAILGATE LINK
BL003	Heated rear window (HRW)	Black	1	Top of rear screen	TAILGATE LINK
BO001	Battery junction box	None	1	Luggage compartment - LH side	
BO002	Auxiliary junction box	None	1	Behind rear seat backrest	
BP001	Battery	None	1	Luggage compartment - LH side	
BP002	Battery junction box	None	1	Luggage compartment - LH side	

Connector	Description	Colour	Cavities	Location	Harness
BS001	Jump Start-Post	None	1	Beneath rear of vehicle RH side	BATTERY TO STARTER MOTOR
BS002	Starter motor	None	1	Under bonnet, LH side	BATTERY TO STARTER MOTOR
BT001	Battery junction box	None	1	Luggage compartment - LH side	
BT002	Jump Start-Post	None	1	Rear of luggage compartment - LH side	
CA010	Central junction-box	Light Grey	4	Base of LH 'A' post	CABIN RH
CA010	Central junction-box	Light Grey	4	Base of LH 'A' post	CABIN LH
CA011	Central junction-box	Grey	2	Base of LH 'A' post	CABIN RH
CA011	Central junction-box	Grey	2	Base of LH 'A' post	CABIN LH
CA012	Central junction-box	Grey	10	Base of LH 'A' post	CABIN RH
CA012	Central junction-box	Grey	10	Base of LH 'A' post	CABIN LH
CA013	Central junction-box	Light Grey	10	Base of LH 'A' post	CABIN RH
CA013	Central junction-box	Light Grey	10	Base of LH 'A' post	CABIN LH
CA015	Central junction-box	Light Grey	14	Base of LH 'A' post	CABIN RH
CA015	Central junction-box	Light Grey	14	Base of LH 'A' post	CABIN LH
CA016	Central junction-box	Black	16	Base of LH 'A' post	CABIN RH
CA016	Central junction-box	Black	16	Base of LH 'A' post	CABIN LH
CA018	Auxiliary junction box	Light Grey	4	Behind rear seat backrest	CABIN RH
CA018	Auxiliary junction box	Light Grey	4	Behind rear seat backrest	CABIN LH
CA019	Auxiliary junction box	Grey	2	Behind rear seat backrest	CABIN RH
CA019	Auxiliary junction box	Grey	2	Behind rear seat backrest	CABIN LH
CA021	Auxiliary junction box	Light Grey	3	Behind rear seat backrest	CABIN LH
CA021	Auxiliary junction box	Light Grey	3	Behind rear seat backrest	CABIN RH
CA022	Auxiliary junction box	Light Grey	10	Behind rear seat backrest	CABIN RH
CA022	Auxiliary junction box	Light Grey	10	Behind rear seat backrest	CABIN LH
CA023	Auxiliary junction box	Green	14	Behind rear seat backrest	CABIN RH
CA023	Auxiliary junction box	Green	14	Behind rear seat backrest	CABIN LH
CA024	Auxiliary junction box	Blue	14	Behind rear seat backrest	CABIN RH
CA024	Auxiliary junction box	Blue	14	Behind rear seat backrest	CABIN LH
CA025	Auxiliary junction box	Light Grey	14	Behind rear seat backrest	CABIN RH
CA025	Auxiliary junction box	Light Grey	14	Behind rear seat backrest	CABIN LH
CA028	Heater element-Front screen	Black	1	RH 'A' post	CABIN RH
CA028	Heater element-Front screen	Black	1	RH 'A' post	CABIN LH
CA029	Heater element-Front screen	Black	1	RH 'A' post	CABIN RH
CA029	Heater element-Front screen	Black	1	RH 'A' post	CABIN LH
CA030	Side impact sensor-RH	Black	2	Behind RH rear trim panel	CABIN RH
CA030	Side impact sensor-RH	Black	2	Behind RH rear trim panel	CABIN LH
CA031	Roll over protection hoop	Light Grey	2	Behind rear seat backrest	CABIN RH
CA031	Roll over protection hoop	Light Grey	2	Behind rear seat backrest	CABIN LH
CA033	Adaptive Damping Module	Grey	2	Rear of luggage compartment	CABIN RH
CA033	Adaptive Damping Module	Grey	2	Rear of luggage compartment	CABIN LH
CA034	Adaptive Damping Module	Green	30	Rear of luggage compartment	CABIN RH

Connector	Description	Colour	Cavities	Location	Harness
CA034	Adaptive Damping Module	Green	30	Rear of luggage compartment	CABIN LH
CA039	Speaker-Mid range-Rear-RH	White	2	Behind RH rear trim panel	CABIN RH
CA039	Speaker-Mid range-Rear-RH	White	2	Behind RH rear trim panel	CABIN LH
CA044	Parking aid module	White	16	LH 'A' post	CABIN RH
CA044	Parking aid module	White	16	LH 'A' post	CABIN LH
CA046	Parking aid module	White	12	LH 'A' post	CABIN RH
CA046	Parking aid module	White	12	LH 'A' post	CABIN LH
CA047	Accelerometer-Rear	Dark Grey	3	Rear of luggage compartment - LH side	CABIN RH
CA047	Accelerometer-Rear	Dark Grey	3	Rear of luggage compartment - LH side	CABIN LH
CA049	Tail lamp unit-RH	Black	6	RH rear of vehicle	CABIN RH
CA049	Tail lamp unit-RH	Black	6	RH rear of vehicle	CABIN LH
CA050	Parking brake module	Light Grey	14	Rear of luggage compartment	CABIN RH
CA050	Parking brake module	Light Grey	14	Rear of luggage compartment	CABIN LH
CA051	Parking brake module	Grey	24	Rear of luggage compartment	CABIN RH
CA051	Parking brake module	Grey	24	Rear of luggage compartment	CABIN LH
CA052	Socket-Accessory-Rear	Natural	3	Rear of luggage compartment - LH side	CABIN LH
CA052	Socket-Accessory-Rear	Natural	3	Rear of luggage compartment - LH side	CABIN RH
CA053	Lamp-Load space-LH	Black	2	Luggage compartment - LH side	CABIN LH
CA053	Lamp-Load space-LH	Black	2	Luggage compartment - LH side	CABIN RH
CA054	Tail lamp unit-LH	Black	6	LH rear of vehicle	CABIN LH
CA054	Tail lamp unit-LH	Black	6	LH rear of vehicle	CABIN RH
CA056	Speaker-Mid range-Rear-LH	White	2	Behind LH rear trim panel	CABIN RH
CA056	Speaker-Mid range-Rear-LH	White	2	Behind LH rear trim panel	CABIN LH
CA059	Roll over protection hoop	Light Grey	2	Behind rear seat backrest	CABIN RH
CA059	Roll over protection hoop	Light Grey	2	Behind rear seat backrest	CABIN LH
CA060	Side impact sensor-LH	Black	2	Behind LH rear trim panel	CABIN RH
CA060	Side impact sensor-LH	Black	2	Behind LH rear trim panel	CABIN LH
CA061	Heater element-Front screen	Black	1	LH 'A' post	CABIN RH
CA061	Heater element-Front screen	Black	1	LH 'A' post	CABIN LH
CA062	Heater element-Front screen	Black	1	LH 'A' post	CABIN LH
CA062	Heater element-Front screen	Black	1	LH 'A' post	CABIN RH
CA065	Sensor-Position-Accelerator pedal	Black	6	Driver's footwell	CABIN RH
CA065	Sensor-Position-Accelerator pedal	Black	6	Driver's footwell	CABIN LH
CA068	Restraints control module	Black	40	In rear of center console	CABIN RH
CA068	Restraints control module	Black	40	In rear of center console	CABIN LH
CA070	Auxiliary junction box	Black	16	Behind rear seat backrest	CABIN RH
CA070	Auxiliary junction box	Black	16	Behind rear seat backrest	CABIN LH
CA072	Tire pressure monitoring control module	Blue	16	Rear of luggage compartment	CABIN RH
CA072	Tire pressure monitoring control module	Blue	16	Rear of luggage compartment	CABIN LH
CA074	Keyless vehicle module	Grey	23	RH 'A' post	CABIN RH

Connector	Description	Colour	Cavities	Location	Harness
CA074	Keyless vehicle module	Grey	23	RH 'A' post	CABIN LH
CA075	Keyless vehicle module	Green	23	RH 'A' post	CABIN RH
CA075	Keyless vehicle module	Green	23	RH 'A' post	CABIN LH
CA076	Keyless vehicle module	Blue	23	RH 'A' post	CABIN RH
CA076	Keyless vehicle module	Blue	23	RH 'A' post	CABIN LH
CA077	Keyless vehicle module	Natural	23	RH 'A' post	CABIN RH
CA077	Keyless vehicle module	Natural	23	RH 'A' post	CABIN LH
CA078	Keyless vehicle module	Brown	23	RH 'A' post	CABIN RH
CA078	Keyless vehicle module	Brown	23	RH 'A' post	CABIN LH
CA080	Centre console antenna-Rear	Grey	4	In rear of center console	CABIN RH
CA080	Centre console antenna-Rear	Grey	4	In rear of center console	CABIN LH
CA081	Tailgate interior antenna	Grey	4	Luggage compartment - RH side	CABIN RH
CA081	Tailgate interior antenna	Grey	4	Luggage compartment - RH side	CABIN LH
CA085	Speed control module	Beige	30	Base of passenger side 'A' post	CABIN RH
CA085	Speed control module	Beige	30	Base of passenger side 'A' post	CABIN LH
CA086	Main harness to convertible top harness	Black	4	Behind rear seat backrest	CABIN RH
CA086	Main harness to convertible top harness	Black	4	Behind rear seat backrest	CABIN LH
CA092	Module-Convertible top	Light Grey	12	Behind rear seat backrest	CABIN RH
CA092	Module-Convertible top	Light Grey	12	Behind rear seat backrest	CABIN LH
CA093	Rear Quarter Window Regulator Motor-RH	Light Grey	2	Behind RH rear trim panel	CABIN RH
CA093	Rear Quarter Window Regulator Motor-RH	Light Grey	2	Behind RH rear trim panel	CABIN LH
CA094	Rear Quarter Window Regulator Motor-LH	Light Grey	2	Behind LH rear trim panel	CABIN RH
CA094	Rear Quarter Window Regulator Motor-LH	Light Grey	2	Behind LH rear trim panel	CABIN LH
CA095	Convertible top main connector	Dark Grey	22	Luggage compartment - RH side	CABIN RH
CA095	Convertible top main connector	Dark Grey	22	Luggage compartment - RH side	CABIN LH
CA096	Convertible top stowage sensor	Black	4	Luggage compartment - LH side	CABIN RH
CA096	Convertible top stowage sensor	Black	4	Luggage compartment - LH side	CABIN LH
CA101	Auxiliary junction box	Black	16	Behind rear seat backrest	CABIN RH
CA101	Auxiliary junction box	Black	16	Behind rear seat backrest	CABIN LH
CA102	Mirror-Vanity-RH	Black	2	Headlining - Front RH side	CABIN RH
CA102	Mirror-Vanity-RH	Black	2	Headlining - Front RH side	CABIN LH
CA103	Lamp-Interior-Front	Natural	20	Behind interior light	CABIN RH
CA103	Lamp-Interior-Front	Natural	20	Behind interior light	CABIN LH
CA104	Mirror-interior	Grey	8	Rear view mirror	CABIN RH
CA104	Mirror-interior	Grey	8	Rear view mirror	CABIN LH
CA105	Sensor-Rain	Black	3	Rear view mirror	CABIN RH
CA105	Sensor-Rain	Black	3	Rear view mirror	CABIN LH
CA106	Mirror-Vanity-LH	Black	2	Headlining - Front LH side	CABIN RH
CA106	Mirror-Vanity-LH	Black	2	Headlining - Front LH side	CABIN LH
CA107	Convertible top latch sensors	Black	4	Behind LH rear trim panel	CABIN RH
CA107	Convertible top latch sensors	Black	4	Behind LH rear trim panel	CABIN LH

Connector	Description	Colour	Cavities	Location	Harness
CA109	Tire pressure monitoring control module	Green	16	Rear of luggage compartment	CABIN RH
CA109	Tire pressure monitoring control module	Green	16	Rear of luggage compartment	CABIN LH
CA110	Convertible top pump	Grey	2	Luggage compartment - RH side	CABIN RH
CA110	Convertible top pump	Grey	2	Luggage compartment - RH side	CABIN LH
CA111	Convertible top latch motor and rear screen heater element	Light Grey	4	Behind LH rear trim panel	CABIN RH
CA111	Convertible top latch motor and rear screen heater element	Light Grey	4	Behind LH rear trim panel	CABIN LH
CA112	ECU-Automatic-Temperature Control	Natural	26	Behind passenger side of fascia	CABIN RH
CA112	ECU-Automatic-Temperature Control	Natural	26	Behind passenger side of fascia	CABIN LH
CA113	Solenoid-Damper-Rear-LH	Black	2	Luggage compartment - LH side	CABIN RH
CA113	Solenoid-Damper-Rear-LH	Black	2	Luggage compartment - LH side	CABIN LH
CA114	Microphone	Natural	2	Driver 'A' post	CABIN RH
CA114	Microphone	Natural	2	Driver 'A' post	CABIN LH
CA115	Amplifier-power	Grey	2	Passenger's footwell	CABIN RH
CA115	Amplifier-power	Grey	2	Passenger's footwell	CABIN LH
CA116	Amplifier-power	Green	16	Passenger's footwell	INSTRUMENT PANEL
CA116	Amplifier-power	Green	16	Passenger's footwell	CABIN RH
CA116	Amplifier-power	Green	16	Passenger's footwell	CABIN LH
CA117	Amplifier-power	None	1	Passenger's footwell	CABIN RH
CA117	Amplifier-power	None	1	Passenger's footwell	CABIN LH
CA118	Sub-woofer	White	2	Passenger's footwell	CABIN RH
CA118	Sub-woofer	White	2	Passenger's footwell	CABIN LH
CA119	Main harness to instrument pack harness	None	1	Beneath front console	CABIN RH
CA119	Main harness to instrument pack harness	None	1	Beneath front console	CABIN LH
CA119	Instrument pack harness to main harness	None	1	Beneath front console	INSTRUMENT PANEL
CA119	Instrument pack harness to main harness	None	1	Beneath front console	INSTRUMENT PANEL
CA121	RF receiver	Black	3	Headlining - Front RH side	CABIN RH
CA121	RF receiver	Black	3	Headlining - Front RH side	CABIN LH
CA122	Module-Intrusion detection	Black	4	Beneath center console	CABIN RH
CA122	Module-Intrusion detection	Black	4	Beneath center console	CABIN LH
CA125	Module-Fuel-pump driver	Black	6	Beneath rear of vehicle LH side	CABIN LH
CA125	Module-Fuel-pump driver	Black	6	Beneath rear of vehicle LH side	CABIN RH
CA127	Unit-Fuel Tank	Black	6	Beneath rear seat	CABIN RH
CA127	Unit-Fuel Tank	Black	6	Beneath rear seat	CABIN LH
CA129	Auxiliary junction box	Black	16	Behind rear seat backrest	CABIN RH
CA129	Auxiliary junction box	Black	16	Behind rear seat backrest	CABIN LH
CA130	Central junction-box	Black	16	Base of LH 'A' post	CABIN RH
CA130	Central junction-box	Black	16	Base of LH 'A' post	CABIN LH
CA131	Receiver-Tyre-pressure monitoring	Black	3	Behind rear seat backrest	CABIN RH
CA131	Receiver-Tyre-pressure monitoring	Black	3	Behind rear seat backrest	CABIN LH
CA132	Restraints control module	Black	40	In rear of center console	CABIN RH

Connector	Description	Colour	Cavities	Location	Harness
CA132	Restraints control module	Black	40	In rear of center console	CABIN LH
CA133	Relay-Transit	White	2	Luggage compartment - RH side	CABIN RH
CA133	Relay-Transit	White	2	Luggage compartment - RH side	CABIN LH
CA134	Relay-Transit	Black	2	Luggage compartment - RH side	CABIN RH
CA134	Relay-Transit	Black	2	Luggage compartment - RH side	CABIN LH
CA135	Relay-Transit	Black	2	Luggage compartment - RH side	CABIN RH
CA135	Relay-Transit	Black	2	Luggage compartment - RH side	CABIN LH
CA136	Motor-Seat-Comfort	Black	3	Behind LH rear trim panel	CABIN RH
CA136	Motor-Seat-Comfort	Black	3	Behind LH rear trim panel	CABIN LH
CA137	Motor-Seat-Comfort	Black	3	Behind RH rear trim panel	CABIN RH
CA137	Motor-Seat-Comfort	Black	3	Behind RH rear trim panel	CABIN LH
CA138	Antenna-VICS	None	1	LH 'A' post	CABIN RH
CA138	Antenna-VICS	None	1	LH 'A' post	CABIN LH
CA139	Vics link harness to main harness	None	1	Behind RH rear trim panel	TELEMATICS
CA139	Main harness to vics link harness	None	1	Behind RH rear trim panel	CABIN RH
CA139	Vics link harness to main harness	None	1	Behind RH rear trim panel	CABIN LH
CA140	Module-Slave intrusion detection	Black	4	Beneath rear seat	CABIN RH
CA140	Module-Slave intrusion detection	Black	4	Beneath rear seat	CABIN LH
CA141	Lamp-Load space	Black	2	Luggage compartment - RH side	CABIN RH
CA141	Lamp-Load space	Black	2	Luggage compartment - RH side	CABIN LH
CA142	Stop lamp switch	Natural	4	Driver's footwell	CABIN RH
CA142	Stop lamp switch	Natural	4	Driver's footwell	CABIN LH
CA143	Module-Convertible top	Black	6	Behind rear seat backrest	CABIN RH
CA143	Module-Convertible top	Black	6	Behind rear seat backrest	CABIN LH
CA144	Module-Convertible top	Black	6	Behind rear seat backrest	CABIN RH
CA144	Module-Convertible top	Black	6	Behind rear seat backrest	CABIN LH
CA145	Module-Convertible top	Grey	22	Behind rear seat backrest	CABIN RH
CA145	Module-Convertible top	Grey	22	Behind rear seat backrest	CABIN LH
CA146	Module-Road pricing	Black	2	LH 'A' post	CABIN RH
CA146	Module-Road pricing	Black	2	LH 'A' post	CABIN LH
CA147	Lamp-Footwell-Front-LH	Natural	2	Under RH side of dash	CABIN RH
CA147	Lamp-Footwell-Front-LH	Natural	2	Under RH side of dash	CABIN LH
CA148	Lamp-Footwell-Front-RH	Natural	2	Under RH side of dash	CABIN RH
CA148	Lamp-Footwell-Front-RH	Natural	2	Under RH side of dash	CABIN LH
CA165	Fan-Cooling-Power amplifier	Light Grey	2	Passenger's footwell	CABIN RH
CA165	Fan-Cooling-Power amplifier	Light Grey	2	Passenger's footwell	CABIN LH
CC001	Instrument panel harness to centre console harness	Grey	8	Beneath center console RH side	INSTRUMENT PANEL
CC001	Instrument panel harness to centre console harness	Grey	8	Beneath center console RH side	INSTRUMENT PANEL
CC001	Centre console harness to instrument panel harness	Grey	8	Beneath center console RH side	CONSOLE
CC002	Start control unit	Grey	6	Beneath center console	CONSOLE
CC003	Switch-Starter	Black	6	Beneath front console	CONSOLE

Connector	Description	Colour	Cavities	Location	Harness
CC004	Switch-Automatic speed limiter (ASL)	Black	6	Beneath front console	CONSOLE
CC005	Switch-Electric-park brake	Black	8	Beneath center console	CONSOLE
CC006	Cigar lighter-Front	Natural	3	Beneath center console	CONSOLE
CC007	Main harness to console harness	Black	10	Beneath center console RH side	CABIN LH
CC007	Main harness to console harness	Black	10	Beneath center console RH side	CABIN RH
CC007	Main harness to console harness	Black	10	Beneath center console RH side	CONSOLE
CC008	Instrument panel harness to centre console harness	Black	2	Beneath center console RH side	INSTRUMENT PANEL
CC008	Instrument panel harness to centre console harness	Black	2	Beneath center console RH side	INSTRUMENT PANEL
CC008	Instrument panel harness to centre console harness	Black	2	Beneath center console RH side	CONSOLE
CP001	Cooling pack harness to power distribution box left harness	Dark Grey	4	Beneath front of vehicle RH side	JUNCTION BOX
CP001	Cooling pack harness to power distribution box left harness	Dark Grey	4	Beneath front of vehicle RH side	COOLING PACK
CP002	Pump-Auxiliary coolant	Black	2	Under bonnet, RH side	COOLING PACK
CP004	Coolant pump - PV8SC	Black	2	Under bonnet, RH side	COOLING PACK
CV001	Main harness to rear axle harness	Grey	6	Beneath rear of vehicle RH side	REAR AXLE
CV001	Main harness to rear axle harness	Dark Grey	6	Beneath rear of vehicle RH side	CABIN RH
CV001	Main harness to rear axle harness	Dark Grey	6	Beneath rear of vehicle RH side	CABIN LH
CV005	Main harness to rear axle harness	Dark Grey	12	Beneath rear of vehicle RH side	REAR AXLE
CV005	Main harness to rear axle harness	Dark Grey	12	Beneath rear of vehicle RH side	CABIN RH
CV005	Main harness to rear axle harness	Dark Grey	12	Beneath rear of vehicle RH side	CABIN LH
CV006	Rear axle harness to abs rear harness	Black	2	Beneath rear of vehicle LH side	
CV006	Rear axle harness to abs rear harness	Black	2	Beneath rear of vehicle LH side	ABS REAR
CV007	Parking Brake Actuator	Dark Grey	6	Beneath rear of vehicle RH side	REAR AXLE
CV008	Rear axle harness to abs rear harness	Black	2	Beneath rear of vehicle RH side	REAR AXLE
CV009	Sensor-Headlamp-levelling-Rear	Black	6	Beneath rear of vehicle LH side	REAR AXLE
CV011	Diagnostic monitoring tank Leakage	Black	4	LH side of fuel tank	REAR AXLE
DD001	Main harness to front door harness	Dark Grey	22	Driver 'A' post	DRIVER DOOR
DD001	Main harness to front door harness	Dark Grey	22	Driver 'A' post	CABIN RH
DD001	Main harness to front door harness	Dark Grey	22	Driver 'A' post	CABIN LH
DD002	Mirror-Door-Driver side	Grey	10	Behind driver door switch pack	DRIVER DOOR
DD003	Module-Drivers-door	Black	22	Behind driver's door trim panel	DRIVER DOOR
DD004	Speaker-Mid range-Front door-LH	White	2	Behind LH front door trim panel	DRIVER DOOR
DD005	Assembly-Door-lock-Drivers	Black	10	Behind driver's door trim panel	DRIVER DOOR
DD008	Module-Door latch-Driver	Black	4	Behind driver's door trim panel	DRIVER DOOR
DD009	Handle-Driver door	Black	6	Inside driver's door	DRIVER DOOR
DD013	Mirror-Door-Driver side	Grey	6	Behind driver door switch pack	DRIVER DOOR
DD014	Module-Drivers-door	Black	24	Behind driver's door trim panel	DRIVER DOOR
DD015	Main harness to front door harness	Grey	10	Driver 'A' post	CABIN LH
DD015	Main harness to front door harness	Grey	10	Driver 'A' post	CABIN RH
DD015	Main harness to front door harness	Grey	10	Driver 'A' post	DRIVER DOOR
DD016	Motor-Window-Driver	Black	6	Behind driver's door trim panel	DRIVER DOOR

Connector	Description	Colour	Cavities	Location	Harness
DL001	Seat harness to seat link harness	Grey	8	Behind driver seat backrest	
DL001	Seat harness to seat link harness	Grey	8	Behind driver seat backrest	
DL001	Seat harness to seat link harness	Grey	8	Behind driver seat backrest	
DL001	Seat harness to seat link harness	Grey	8	Behind driver seat backrest	
DL002	Valve block-Lumbar-Driver	Black	6	Beneath driver's seat	
DL003	Pump-Lumbar-Driver	Black	3	Behind driver seat backrest	
DL004	Pump-Lumbar-Driver	Black	3	Beneath driver's seat	
DL005	Solenoid-Seat bolster-Driver	Black	6	Behind driver seat backrest	
DL006	Diode-Inline	Black	3	Beneath driver's seat	
DS001	Main harness to seat harness	Grey	20	Beneath driver's seat	CABIN RH
DS001	Main harness to seat harness	Grey	20	Beneath driver's seat	SEAT DRIVER RHD
DS001	Main harness to seat harness	Grey	20	Beneath driver's seat	CABIN LH
DS001	Main harness to seat harness	Grey	20	Beneath driver's seat	SEAT DRIVER LHD
DS002	Heater-Seat cushion-Driver	Black	4	Beneath driver's seat	
DS002	Heater-Seat cushion-Driver	Black	4	Beneath driver's seat	
DS003	Heater- seat squab	Black	2	Behind driver seat backrest	
DS003	Heater- seat squab	Black	2	Behind driver seat backrest	
DS004	Motor-Seat-Tilt-Driver	Black	5	Beneath driver's seat	
DS004	Motor-Seat-Tilt-Driver	Black	5	Beneath driver's seat	
DS005	Motor-Seat height-Front-Driver	Black	4	Beneath driver's seat	
DS005	Motor-Seat height-Front-Driver	Black	4	Beneath driver's seat	
DS006	Drivers seat slide motor	Black	4	Beneath driver's seat	
DS006	Drivers seat slide motor	Black	4	Beneath driver's seat	
DS007	Motor-Seat-Recline-Driver	Black	5	Behind driver seat backrest	
DS007	Motor-Seat-Recline-Driver	Black	5	Behind driver seat backrest	
DS009	Driver seat Cushion Extension Motor	Black	5	Beneath driver's seat	
DS009	Driver seat Cushion Extension Motor	Black	5	Beneath driver's seat	
DS010	Airbag-Side-Driver	Grey	2	Side of driver seat backrest	
DS010	Airbag-Side-Driver	Grey	2	Side of driver seat backrest	
DS011	Pre-tensioner-Driver	Black	4	Beneath driver's seat	
DS011	Pre-tensioner-Driver	Black	4	Beneath driver's seat	
DS014	Sensor-Driver-seat track	Light Grey	2	Beneath driver's seat	
DS014	Sensor-Driver-seat track	Light Grey	2	Beneath driver's seat	
DS015	Driver seat module	Light Grey	26	Beneath driver's seat	
DS015	Driver seat module	Light Grey	26	Beneath driver's seat	
DS016	Driver seat module	Light Grey	16	Beneath driver's seat	
DS016	Driver seat module	Light Grey	16	Beneath driver's seat	
DS017	Driver seat module	Light Grey	12	Beneath driver's seat	
DS017	Driver seat module	Light Grey	12	Beneath driver's seat	
DS018	Driver seat module	Black	14	Beneath driver's seat	
DS018	Driver seat module	Black	14	Beneath driver's seat	

Connector	Description	Colour	Cavities	Location	Harness
DS025	Main harness to seat harness	Grey	4	Beneath driver's seat	SEAT DRIVER RHD
DS025	Main harness to seat harness	Grey	4	Beneath driver's seat	CABIN RH
DS025	Main harness to seat harness	Grey	4	Beneath driver's seat	SEAT DRIVER LHD
DS025	Main harness to seat harness	Grey	4	Beneath driver's seat	CABIN LH
DS027	Main harness to seat harness	Light Grey	4	Beneath driver's seat	SEAT DRIVER RHD
DS027	Main harness to seat harness	Light Grey	4	Beneath driver's seat	CABIN RH
DS027	Main harness to seat harness	Light Grey	4	Beneath driver's seat	SEAT DRIVER LHD
DS027	Main harness to seat harness	Light Grey	4	Beneath driver's seat	CABIN LH
DS037	Sensor-Driver-seat track	Light Grey	2	Behind driver seat backrest	
DS037	Sensor-Driver-seat track	Light Grey	2	Behind driver seat backrest	
DS039	Service connector-driver seat	Light Grey	4	Outer edge of seat	
DS039	Service connector-driver seat	Light Grey	4	Outer edge of seat	
DS040	Service connector-driver seat	Light Grey	4	Outer edge of seat	
DS040	Service connector-driver seat	Light Grey	4	Outer edge of seat	
DT001	Driver door harness to driver door trim harness	Dark Grey	22	Behind driver's door trim panel	DRIVER DOOR
DT001	Driver door harness to driver door trim harness	Dark Grey	22	Behind driver's door trim panel	DRIVER DOOR TRIM
DT002	Front Tweeter-LH	White	2	Behind driver door cheater panel	DRIVER DOOR TRIM
DT003	Switch-Window-mirror-Driver	Light Blue	5	Behind driver door switch pack	DRIVER DOOR TRIM
DT004	Lamp-Puddle-Driver	Black	2	Behind driver's door trim panel	DRIVER DOOR TRIM
DT006	Switch-Seat-Driver	Black	4	Behind driver's door trim panel	DRIVER DOOR TRIM
DT008	Switch-Door-Driver	Light Grey	2	Behind driver's door trim panel	DRIVER DOOR TRIM
EC020	Cooling pack harness to power distribution box left harness	Black	2	Beneath front of vehicle RH side	JUNCTION BOX
EC021	Cooling pack harness to power distribution box left harness	Black	2	Beneath front of vehicle RH side	JUNCTION BOX
EN041	Power distribution box left harness to engine harness	Black	42	Rear LH side of engine compartment	JUNCTION BOX
FB001	Front bumper harness to power distribution box left harness	Black	12	Behind LH front wheel arch liner	JUNCTION BOX
FB001	Front bumper harness to power distribution box left harness	Black	12	Behind LH front wheel arch liner	BUMPER FRONT
FB003	Parking aid sensor-Outer-Front-LH	Black	3	Behind LH side of front bumper	BUMPER FRONT
FB004	Lamp-Fog-Front-LH	Black	2	Behind LH front wheel arch liner	BUMPER FRONT
FB005	Parking aid sensor-Inner-Front-LH	Black	3	Behind LH side of front bumper	BUMPER FRONT
FB006	Parking aid sensor-Inner-Front-RH	Black	3	Behind RH side of front bumper	BUMPER FRONT
FB007	Lamp-Fog-Front-RH	Black	2	Beneath front of vehicle RH side	BUMPER FRONT
FB008	Parking aid sensor-Outer-Front-RH	Black	3	Behind RH side of front bumper	BUMPER FRONT
FB011	Front bumper harness to power distribution box left harness	Dark Grey	8	Behind LH front wheel arch liner	JUNCTION BOX
FB011	Front bumper harness to power distribution box left harness	Dark Grey	8	Behind LH front wheel arch liner	BUMPER FRONT
FB012	Initiator-Front-RH	Grey	2	Beneath front of vehicle RH side	BUMPER FRONT
FB013	Initiator-Front-LH	Grey	2	Behind LH front wheel arch liner	BUMPER FRONT
FL002	Main harness to power distribution box left harness	Dark Grey	22	Base of LH 'A' post	CABIN LH
FL002	Main harness to power distribution box left harness	Dark Grey	22	Base of LH 'A' post	CABIN RH
FL002	Main harness to power distribution box left harness	Dark Grey	22	Base of LH 'A' post	JUNCTION BOX
FL005	Speed control sensor	Black	5	Behind centre of bumper	JUNCTION BOX

Connector	Description	Colour	Cavities	Location	Harness
FL012	ABS control module	Black	47	Behind LH front wheel arch liner	JUNCTION BOX
FL019	Motor-Wiper-Windscreen	Light Grey	5	Rear of engine compartment	JUNCTION BOX
FL022	Switch-Brake-fluid level	Black	2	LH side of fire wall	JUNCTION BOX
FL024	Lamp-Side repeater-Front-LH	Black	2	On the side of the front fender	JUNCTION BOX
FL025	Solenoid-Damper-Front-LH	Black	2	Under bonnet, LH suspension turret	JUNCTION BOX
FL028	Wheel speed Sensor-Front-LH	Black	2	Behind LH front wheel arch liner	JUNCTION BOX
FL029	Hood ajar switch	Black	2	Rear LH side of engine compartment	JUNCTION BOX
FL030	Headlamp-LH	Black	16	Behind LH headlamp	JUNCTION BOX
FL031	Horn (s)	Black	2	In front of radiator	JUNCTION BOX
FL034	Power distribution box	Dark Grey	4	Under bonnet, LH suspension turret	JUNCTION BOX
FL035	Power distribution box	Dark Grey	4	Under bonnet, LH suspension turret	JUNCTION BOX
FL036	Power distribution box	Blue	8	Under bonnet, LH suspension turret	JUNCTION BOX
FL037	Power distribution box	Light Grey	4	Under bonnet, LH suspension turret	JUNCTION BOX
FL038	Power distribution box	Light Grey	8	Under bonnet, LH suspension turret	JUNCTION BOX
FL039	Power distribution box	Dark Grey	12	Under bonnet, LH suspension turret	JUNCTION BOX
FL040	Power distribution box	Black	4	Under bonnet, LH suspension turret	JUNCTION BOX
FL041	Power distribution box	Black	8	Under bonnet, LH suspension turret	JUNCTION BOX
FL042	Power distribution box	Dark Grey	8	Under bonnet, LH suspension turret	JUNCTION BOX
FL043	Power distribution box	Black	10	Under bonnet, LH suspension turret	JUNCTION BOX
FL044	Power distribution box	None	1	Under bonnet, LH suspension turret	JUNCTION BOX
FL045	Power distribution box	None	1	Under bonnet, LH suspension turret	JUNCTION BOX
FL046	Power steering solenoid	Natural	2	Under bonnet, LH side	JUNCTION BOX
FL048	Central junction-box	Green	14	Base of LH 'A' post	JUNCTION BOX
FL049	Central junction-box	Light Grey	3	Base of LH 'A' post	JUNCTION BOX
FL050	Central junction-box	Blue	14	Base of LH 'A' post	JUNCTION BOX
FL051	Central junction-box	None	1	Base of LH 'A' post	JUNCTION BOX
FL052	Pedestrian protection module	Black	40	Behind LH front wheel arch liner	JUNCTION BOX
FL055	Pedestrian protection accelerometer - LH	Black	2	Behind LH side of front bumper	JUNCTION BOX
FL056	Pedestrian protection accelerometer-RH	Black	2	RH side of engine compartment	JUNCTION BOX
FL057	Hood latch actuator-LH	Yellow	2	Rear LH side of engine compartment	JUNCTION BOX
FL067	Parking aid module	White	12	LH 'A' post	JUNCTION BOX
FL070	Main harness to power distribution box left harness	Natural	22	Base of LH 'A' post	JUNCTION BOX
FL070	Main harness to power distribution box left harness	Natural	22	Base of LH 'A' post	CABIN RH
FL070	Main harness to power distribution box left harness	Natural	22	Base of LH 'A' post	CABIN LH
FL071	Main harness to power distribution box left harness	Grey	13	Base of LH 'A' post	CABIN RH
FL071	Main harness to power distribution box left harness	Grey	13	Base of LH 'A' post	CABIN LH
FL071	Main harness to power distribution box left harness	Grey	13	Base of LH 'A' post	JUNCTION BOX
FL072	Engine control-module (ECM)	Black	58	Rear LH side of engine compartment	JUNCTION BOX
FL077	Hood latch actuator-LH	Light Grey	2	Rear LH side of engine compartment	JUNCTION BOX
FL079	Sensor-Pedestrian impact	Black	4	Behind RH side of front bumper	JUNCTION BOX
FL080	Sensor-DSC	Black	4	Rear LH side of engine compartment	JUNCTION BOX

Connector	Description	Colour	Cavities	Location	Harness
FL081	Central junction-box	Black	16	Base of LH 'A' post	JUNCTION BOX
FL100	Power distribution box left harness to right harness	Dark Grey	8	RH side of engine compartment	JUNCTION BOX
FL100	Power distribution box right harness to left harness	Dark Grey	8	RH side of engine compartment	FRONT RIGHT
FL101	Power distribution box left harness to right harness	Black	12	Behind LH side of front bumper	JUNCTION BOX
FL101	Power distribution box right harness to left harness	Black	12	Behind LH side of front bumper	FRONT RIGHT
FL102	Power distribution box left harness to right harness	Yellow	4	RH side of engine compartment	JUNCTION BOX
FL102	Power distribution box right harness to left harness	Yellow	4	RH side of engine compartment	FRONT RIGHT
FL103	Motor-Wiper-Windscreen	Light Grey	5	Rear of engine compartment	JUNCTION BOX
FL104	Sensor-Mass air-flow (MAF) - PV8NA	Black	5	Behind LH front wheel arch liner	JUNCTION BOX
FL106	ABS control module	Black	47	Behind LH front wheel arch liner	JUNCTION BOX
FR001	Main harness to power distribution box right harness	Natural	22	Base of RH 'A' post	FRONT RIGHT
FR001	Main harness to power distribution box right harness	Natural	22	Base of RH 'A' post	CABIN LH
FR001	Main harness to power distribution box right harness	Natural	22	Base of RH 'A' post	CABIN RH
FR003	Sensor-Ambient air-temperature	Black	2	RH side of engine compartment	FRONT RIGHT
FR004	Sensor-Impact-Front-RH	Black	2	Behind radiator RH side	FRONT RIGHT
FR006	Sensor-Pollution	Black	6	RH side of engine compartment	FRONT RIGHT
FR007	Sensor-Pressure-Air Conditioning	Black	3	Behind radiator LH side	FRONT RIGHT
FR008	Headlamp-RH	Black	16	Behind RH headlamp	FRONT RIGHT
FR009	Pump-Washer-Windscreen	Black	2	Beneath front of vehicle RH side	FRONT RIGHT
FR010	Sensor-Low washer-fluid level	Black	2	Beneath front of vehicle RH side	FRONT RIGHT
FR011	Pump-Power wash	Dark Grey	2	Beneath front of vehicle RH side	FRONT RIGHT
FR014	Sensor-DSC	Black	2	Lower RH front of engine compartment	FRONT RIGHT
FR015	Solenoid-Damper-Front-RH	Black	2	Under bonnet, RH suspension turret	FRONT RIGHT
FR016	Accelerometer-Front	Dark Grey	3	Behind RH front wheel arch liner	FRONT RIGHT
FR017	Lamp-Side repeater-Front-RH	Black	2	On the side of the front fender	FRONT RIGHT
FR022	Switch-Brake-fluid level	Black	2	Rear of engine compartment	FRONT RIGHT
FR046	Power steering solenoid	Natural	2	Under bonnet, RH side	FRONT RIGHT
FR047	Sensor-Impact-Front-LH	Black	2	Behind radiator LH side	FRONT RIGHT
FR053	Secondary Air Injection (SAI) pump	Dark Grey	2	Behind LH headlamp	FRONT RIGHT
FR058	Actuator-Hood latch-RH	Yellow	2	Rear RH side of engine compartment	FRONT RIGHT
FR059	Sensor-Headlamp-levelling-Front	Black	6	Lower RH front of engine compartment	FRONT RIGHT
FR060	Module-Headlamp levelling	Black	26	RH 'A' post	FRONT RIGHT
FR068	Main harness to power distribution box right harness	Green	16	RH 'A' post	CABIN LH
FR068	Main harness to power distribution box right harness	Green	16	RH 'A' post	CABIN RH
FR068	Power distribution box right harness to main harness	Green	16	RH 'A' post	FRONT RIGHT
FR069	Main harness to power distribution box right harness	Light Grey	2	RH 'A' post	CABIN LH
FR069	Main harness to power distribution box right harness	Light Grey	2	RH 'A' post	CABIN RH
FR069	Power distribution box right harness to main harness	Grey	2	RH 'A' post	FRONT RIGHT
FR078	Actuator-Hood latch-RH	Light Grey	2	Rear RH side of engine compartment	FRONT RIGHT
FR080	Sensor-DSC	Black	4	Rear RH side of engine compartment	FRONT RIGHT

Connector	Description	Colour	Cavities	Location	Harness
FR081	Sensor-MAP-Secondary air injection (SAI)	Black	3	Lower RH front of engine compartment	FRONT RIGHT
FR105	Module-Headlamp levelling	Black	26	RH 'A' post	FRONT RIGHT
FR107	Sensor-Pollution	Black	6	In front of the radiator	FRONT RIGHT
G01AL	Ground point	None	1	Lower LH front of engine compartment	JUNCTION BOX
G01BL	Ground point	None	1	Lower LH front of engine compartment	JUNCTION BOX
G01BR	Ground point	None	1	Lower LH front of engine compartment	JUNCTION BOX
G02AL	Ground point	None	1	Lower RH front of engine compartment	FRONT RIGHT
G02AR	Ground point	None	1	Lower RH front of engine compartment	FRONT RIGHT
G02BL	Ground point	None	1	Lower RH front of engine compartment	FRONT RIGHT
G02BR	Ground point	None	1	Lower RH front of engine compartment	FRONT RIGHT
G03AL	Ground point	None	1	Rear LH side of engine compartment	JUNCTION BOX
G03AR	Ground point	None	1	Rear LH side of engine compartment	JUNCTION BOX
G03BL	Ground point	None	1	Rear LH side of engine compartment	JUNCTION BOX
G03BR	Ground point	None	1	Rear LH side of engine compartment	JUNCTION BOX
G05AS	Ground point	None	1	Luggage compartment - LH side	
G06AR	Ground point	None	1	RH side of engine compartment	FRONT RIGHT
G06BL	Ground point	None	1	RH side of engine compartment	FRONT RIGHT
G06BR	Ground point	None	1	RH side of engine compartment	FRONT RIGHT
G07AL	Ground point	None	1	Rear LH side of engine compartment	JUNCTION BOX
G07AR	Ground point	None	1	Rear LH side of engine compartment	JUNCTION BOX
G09AL	Ground point	None	1	Base of LH 'A' post	CABIN RH
G09AL	Ground point	None	1	Base of LH 'A' post	CABIN LH
G09AR	Ground point	None	1	Base of LH 'A' post	CABIN RH
G09AR	Ground point	None	1	Base of LH 'A' post	CABIN LH
G09BL	Ground point	None	1	Base of LH 'A' post	CABIN RH
G09BL	Ground point	None	1	Base of LH 'A' post	CABIN LH
G09BR	Ground point	None	1	Base of LH 'A' post	CABIN RH
G09BR	Ground point	None	1	Base of LH 'A' post	CABIN LH
G10AL	Ground point	None	1	Base of passenger side 'A' post	CABIN RH
G10AL	Ground point	None	1	Base of passenger side 'A' post	CABIN LH
G10AR	Ground point	None	1	Base of passenger side 'A' post	CABIN RH
G10AR	Ground point	None	1	Base of passenger side 'A' post	CABIN LH
G10BL	Ground point	None	1	Base of passenger side 'A' post	CABIN RH
G10BL	Ground point	None	1	Base of passenger side 'A' post	CABIN LH
G10BR	Ground point	None	1	Base of passenger side 'A' post	CABIN RH
G10BR	Ground point	None	1	Base of passenger side 'A' post	CABIN LH
G11AL	Ground point	None	1	Behind instrument pack	INSTRUMENT PANEL
G11AR	Ground point	None	1	Behind instrument pack	INSTRUMENT PANEL
G12AL	Ground point	None	1	Behind instrument pack	INSTRUMENT PANEL
G12AR	Ground point	None	1	Behind instrument pack	INSTRUMENT PANEL
G12BL	Ground point	None	1	Behind instrument pack	INSTRUMENT PANEL

Connector	Description	Colour	Cavities	Location	Harness
G12BR	Ground point	None	1	Behind instrument pack	INSTRUMENT PANEL
G13AL	Ground point	None	1	Beneath center console LH side	INSTRUMENT PANEL
G13AL	Ground point	None	1	Beneath center console LH side	INSTRUMENT PANEL
G14AL	Ground point	None	1	Beneath center console RH side	INSTRUMENT PANEL
G14AL	Ground point	None	1	Beneath center console RH side	INSTRUMENT PANEL
G14AR	Ground point	None	1	Beneath center console RH side	INSTRUMENT PANEL
G14AR	Ground point	None	1	Beneath center console RH side	INSTRUMENT PANEL
G14BL	Ground point	None	1	Beneath center console RH side	CABIN RH
G14BL	Ground point	None	1	Beneath center console RH side	CABIN LH
G14BR	Ground point	None	1	Beneath center console RH side	CABIN RH
G14BR	Ground point	None	1	Beneath center console RH side	CABIN LH
G15AL	Ground point	None	1	Beneath driver's seat	CABIN RH
G15AL	Ground point	None	1	Beneath driver's seat	CABIN LH
G15AR	Ground point	None	1	Beneath driver's seat	CABIN RH
G15AR	Ground point	None	1	Beneath driver's seat	CABIN LH
G16AL	Ground point	None	1	Beneath front passenger's seat	CABIN RH
G16AL	Ground point	None	1	Beneath front passenger's seat	CABIN LH
G16AR	Ground point	None	1	Beneath front passenger's seat	CABIN RH
G16AR	Ground point	None	1	Beneath front passenger's seat	CABIN LH
G19AL	Ground point	None	1	Behind rear trim panel	CABIN RH
G19AL	Ground point	None	1	Behind rear trim panel	CABIN LH
G19AR	Ground point	None	1	Behind rear trim panel	CABIN RH
G19AR	Ground point	None	1	Behind rear trim panel	CABIN LH
G19BL	Ground point	None	1	Behind rear seat backrest	CABIN RH
G19BL	Ground point	None	1	Behind rear seat backrest	
G19BR	Ground point	None	1	Behind rear seat backrest	CABIN RH
G19BR	Ground point	None	1	Behind rear seat backrest	
G20AL	Ground point	None	1	Beneath rear seat	TELEMATICS
G20AR	Ground point	None	1	Beneath rear seat	TELEMATICS
G21AL	Ground point	None	1	Behind rear seat backrest	CABIN RH
G21AL	Ground point	None	1	Behind rear seat backrest	CABIN LH
G21AR	Ground point	None	1	Behind rear seat backrest	
G21AR	Ground point	None	1	Behind rear seat backrest	CABIN LH
G22AL	Ground point	None	1	Rear of luggage compartment - RH side	CABIN RH
G22AL	Ground point	None	1	Rear of luggage compartment - RH side	CABIN LH
G22AR	Ground point	None	1	Rear of luggage compartment - RH side	CABIN RH
G22AR	Ground point	None	1	Rear of luggage compartment - RH side	CABIN LH
G23AL	Ground point	None	1	Luggage compartment - RH side	TELEMATICS
G23AR	Ground point	None	1	Luggage compartment - RH side	TELEMATICS
G23BL	Ground point	None	1	Rear of luggage compartment - RH side	TAILGATE ANTENNA

Connector	Description	Colour	Cavities	Location	Harness
G24AL	Ground point	None	1	Rear of luggage compartment - LH side	CABIN RH
G24AL	Ground point	None	1	Rear of luggage compartment - LH side	CABIN LH
G24AR	Ground point	None	1	Rear of luggage compartment - LH side	CABIN RH
G24AR	Ground point	None	1	Rear of luggage compartment - LH side	CABIN LH
G24BL	Ground point	None	1	Rear of luggage compartment - LH side	CABIN RH
G24BL	Ground point	None	1	Rear of luggage compartment - LH side	CABIN LH
G24BR	Ground point	None	1	Front of luggage compartment - LH side	CABIN RH
G24BR	Ground point	None	1	Rear of luggage compartment - LH side	CABIN LH
G25AL	Ground point	None	1	Luggage compartment - RH side	CABIN RH
G25AL	Ground point	None	1	Luggage compartment - RH side	CABIN LH
G25AR	Ground point	None	1	Luggage compartment - RH side	CABIN RH
G25AR	Ground point	None	1	Luggage compartment - RH side	CABIN LH
G28AL	Ground point	None	1	Beneath front console	INSTRUMENT PANEL
G28AL	Ground point	None	1	Beneath front console	INSTRUMENT PANEL
G28AR	Ground point	None	1	Beneath front console	INSTRUMENT PANEL
G28AR	Ground point	None	1	Beneath front console	INSTRUMENT PANEL
G28BL	Ground point	None	1	Beneath front console	INSTRUMENT PANEL
G28BL	Ground point	None	1	Beneath front console	INSTRUMENT PANEL
G28BR	Ground point	None	1	Beneath front console	INSTRUMENT PANEL
G28BR	Ground point	None	1	Beneath front console	INSTRUMENT PANEL
G30AL	Ground point	None	1	Base of passenger side 'A' post	CABIN RH
G30AL	Ground point	None	1	Base of passenger side 'A' post	CABIN LH
G30AR	Ground point	None	1	Base of passenger side 'A' post	CABIN RH
G30AR	Ground point	None	1	Base of passenger side 'A' post	CABIN LH
G30BR	Ground point	None	1	Base of RH 'A' post	FRONT RIGHT
G40AL	Ground point	None	1	Behind instrument pack	INSTRUMENT PANEL
G40AR	Ground point	None	1	Behind LH side of dash	INSTRUMENT PANEL
G40BL	Ground point	None	1	Behind LH side of dash	INSTRUMENT PANEL
G40BR	Ground point	None	1	Behind LH side of dash	INSTRUMENT PANEL
G41AL	Ground point	None	1	Behind RH side of dash	INSTRUMENT PANEL
G41AR	Ground point	None	1	Behind RH side of dash	INSTRUMENT PANEL
G42AL	Ground point	None	1	Under LH side of dash	INSTRUMENT PANEL
G42AR	Ground point	None	1	Under LH side of dash	INSTRUMENT PANEL
G43AL	Ground point	None	1	Under RH side of dash	INSTRUMENT PANEL
G44AL	Ground point	None	1	Behind rear seat backrest	CABIN RH
G44AL	Ground point	None	1	Behind rear seat backrest	CABIN LH
GB002	Module-Transmission-control	Black	16	RH side of gearbox	
GB002	Module-Transmission-control	Black	16	RH side of gearbox	ENGINE PETROL V8 S/C
IP001	Main harness to instrument pack harness	Dark Grey	22	Behind RH side of dash	INSTRUMENT PANEL
IP001	Main harness to instrument pack harness	Dark Grey	22	Behind RH side of dash	CABIN RH
IP001	Main harness to instrument pack harness	Dark Grey	22	Behind RH side of dash	INSTRUMENT PANEL

Connector	Description	Colour	Cavities	Location	Harness
IP001	Main harness to instrument pack harness	Dark Grey	22	Behind RH side of dash	CABIN LH
IP002	Main harness to instrument pack harness	Green	22	Behind passenger side of fascia	INSTRUMENT PANEL
IP002	Main harness to instrument pack harness	Green	22	Behind passenger side of fascia	CABIN RH
IP002	Main harness to instrument pack harness	Green	22	Behind passenger side of fascia	INSTRUMENT PANEL
IP002	Main harness to instrument pack harness	Green	22	Behind passenger side of fascia	CABIN LH
IP003	Instrument panel harness to power distribution box left harness	Light Grey	10	Behind passenger side of fascia	INSTRUMENT PANEL
IP003	Instrument panel harness to power distribution box left harness	Light Grey	10	Behind passenger side of fascia	INSTRUMENT PANEL
IP004	Instrument panel harness to power distribution box left harness	Light Grey	4	Driver's footwell	INSTRUMENT PANEL
IP004	Instrument panel harness to power distribution box left harness	Light Grey	4	Driver's footwell	INSTRUMENT PANEL
IP004	Power distribution box left harness to instrument panel harness	Light Grey	4	Driver's footwell	JUNCTION BOX
IP009	Socket-Accessory-Front	Natural	3	Behind glovebox	INSTRUMENT PANEL
IP009	Socket-Accessory-Front	Natural	3	Behind glovebox	INSTRUMENT PANEL
IP010	Switch-Glove-box	Black	2	Behind passenger side of fascia	INSTRUMENT PANEL
IP010	Switch-Glove-box	Black	2	Behind passenger side of fascia	INSTRUMENT PANEL
IP011	Lamp-Glove box	Black	2	Behind glovebox	INSTRUMENT PANEL
IP011	Lamp-Glove box	Black	2	Behind glovebox	INSTRUMENT PANEL
IP012	Air bag-Passenger	None	1	Behind passenger side of fascia	INSTRUMENT PANEL
IP012	Air bag-Passenger	Curry	2	Behind passenger side of fascia	INSTRUMENT PANEL
IP013	Air bag-Passenger	Grey	2	Behind passenger side of fascia	INSTRUMENT PANEL
IP013	Air bag-Passenger	Grey	2	Behind passenger side of fascia	INSTRUMENT PANEL
IP019	Diagnostic Connector	Black	16	Adjacent steering column	INSTRUMENT PANEL
IP019	Diagnostic Connector	Black	16	Adjacent steering column	INSTRUMENT PANEL
IP020	Sensor-Sunlight	Black	6	Dash - top center	INSTRUMENT PANEL
IP020	Sensor-Sunlight	Black	6	Dash - top center	INSTRUMENT PANEL
IP026	Restraints control module	Black	24	In rear of center console	INSTRUMENT PANEL
IP026	Restraints control module	Black	24	In rear of center console	INSTRUMENT PANEL
IP027	Selector-Automatic transmission	Green	16	Beneath center console	INSTRUMENT PANEL
IP027	Selector-Automatic transmission	Green	16	Beneath center console	INSTRUMENT PANEL
IP028	Sensor-Yaw Rate	Black	6	Beneath center console	INSTRUMENT PANEL
IP028	Sensor-Yaw Rate	Black	6	Beneath center console	INSTRUMENT PANEL
IP029	Switch-Pedal-column adjust	Black	8	Underside of steering column	INSTRUMENT PANEL
IP029	Switch-Pedal-column adjust	Black	8	Underside of steering column	INSTRUMENT PANEL
IP031	Instrument cluster	Black	32	Behind instrument pack	INSTRUMENT PANEL
IP031	Instrument cluster	Black	32	Behind instrument pack	INSTRUMENT PANEL
IP032	Instrument cluster	Black	32	Behind instrument pack	INSTRUMENT PANEL
IP032	Instrument cluster	Black	32	Behind instrument pack	INSTRUMENT PANEL
IP035	Unit-Steering column	Black	10	Adjacent steering column	INSTRUMENT PANEL
IP035	Unit-Steering column	Black	10	Adjacent steering column	INSTRUMENT PANEL
IP036	Sensor-Temperature-In-car	Grey	6	Adjacent instrument pack	INSTRUMENT PANEL
IP036	Sensor-Temperature-In-car	Grey	6	Adjacent instrument pack	INSTRUMENT PANEL

Connector	Description	Colour	Cavities	Location	Harness
IP038	Sensor-Steering-angle	Grey	4	Adjacent steering column	INSTRUMENT PANEL
IP038	Sensor-Steering-angle	Grey	4	Adjacent steering column	INSTRUMENT PANEL
IP039	Module-Steering column lock	Black	4	Adjacent steering column	INSTRUMENT PANEL
IP039	Module-Steering column lock	Black	4	Adjacent steering column	INSTRUMENT PANEL
IP040	Switch-Steering column-Wiper	Black	6	Underside of steering column	INSTRUMENT PANEL
IP040	Switch-Steering column-Wiper	Black	6	Underside of steering column	INSTRUMENT PANEL
IP041	Switch-Steering column-Lighting	Black	6	Underside of steering column	INSTRUMENT PANEL
IP041	Switch-Steering column-Lighting	Black	6	Underside of steering column	INSTRUMENT PANEL
IP042	Clock spring	Natural	10	In center of steering wheel	INSTRUMENT PANEL
IP042	Clock spring	Natural	10	In center of steering wheel	INSTRUMENT PANEL
IP043	Slip rings-Steering wheel	Light Grey	2	Adjacent steering column	INSTRUMENT PANEL
IP043	Slip rings-Steering wheel	Light Grey	2	Adjacent steering column	INSTRUMENT PANEL
IP045	Auxiliary switch pack	Black	12	Adjacent instrument pack	INSTRUMENT PANEL
IP045	Auxiliary switch pack	Black	12	Adjacent instrument pack	INSTRUMENT PANEL
IP052	Main harness to instrument pack harness	Grey	13	Behind RH side of dash	INSTRUMENT PANEL
IP052	Main harness to instrument pack harness	Grey	13	Behind RH side of dash	CABIN RH
IP052	Main harness to instrument pack harness	Grey	13	Behind RH side of dash	INSTRUMENT PANEL
IP052	Main harness to instrument pack harness	Grey	13	Behind RH side of dash	CABIN LH
IP053	Main harness to instrument pack harness	Light Grey	14	Behind passenger side of fascia	INSTRUMENT PANEL
IP053	Main harness to instrument pack harness	Light Grey	14	Behind passenger side of fascia	CABIN RH
IP053	Main harness to instrument pack harness	Light Grey	14	Behind passenger side of fascia	INSTRUMENT PANEL
IP053	Main harness to instrument pack harness	Light Grey	14	Behind passenger side of fascia	CABIN LH
IP054	Instrument panel harness to power distribution box left harness	Natural	22	Base of LH 'A' post	INSTRUMENT PANEL
IP054	Instrument panel harness to power distribution box left harness	Natural	22	Base of LH 'A' post	INSTRUMENT PANEL
IP054	Power distribution box left harness to instrument panel harness	Natural	22	Base of LH 'A' post	JUNCTION BOX
IP055	Center speaker	White	2	Dash - top center	INSTRUMENT PANEL
IP055	Center speaker	White	2	Dash - top center	INSTRUMENT PANEL
IP057	Head Unit-Audio-System	Light Grey	14	Behind center of dash	INSTRUMENT PANEL
IP057	Head Unit-Audio-System	Light Grey	14	Behind center of dash	INSTRUMENT PANEL
IP058	Head Unit-Audio-System	Light Grey	12	Behind center of dash	INSTRUMENT PANEL
IP058	Head Unit-Audio-System	Light Grey	12	Behind center of dash	INSTRUMENT PANEL
IP059	Head Unit-Audio-System	None	1	Behind center of dash	INSTRUMENT PANEL
IP059	Head Unit-Audio-System	None	1	Behind center of dash	INSTRUMENT PANEL
IP060	Head Unit-Audio-System	None	1	Behind center of dash	INSTRUMENT PANEL
IP060	Head Unit-Audio-System	None	1	Behind center of dash	INSTRUMENT PANEL
IP061	Integrated control panel	Black	10	Behind center of dash	INSTRUMENT PANEL
IP061	Integrated control panel	Black	10	Behind center of dash	INSTRUMENT PANEL
IP063	Touch screen display	Grey	12	Behind center of dash	INSTRUMENT PANEL
IP063	Touch screen display	Grey	12	Behind center of dash	INSTRUMENT PANEL
IP064	Touch screen display	None	1	Behind center of dash	INSTRUMENT PANEL
IP064	Touch screen display	None	1	Behind center of dash	INSTRUMENT PANEL

Connector	Description	Colour	Cavities	Location	Harness
IP065	Touch screen display	None	1	Behind center of dash	INSTRUMENT PANEL
IP065	Touch screen display	None	1	Behind center of dash	INSTRUMENT PANEL
IP075	Antenna-LF-Cabin-Front	Grey	4	Behind center of dash	INSTRUMENT PANEL
IP075	Antenna-LF-Cabin-Front	Grey	4	Behind center of dash	INSTRUMENT PANEL
IP087	Information and entertainment control module	Green	10	Behind center of dash	INSTRUMENT PANEL
IP087	Information and entertainment control module	Green	10	Behind center of dash	INSTRUMENT PANEL
IP088	Information and entertainment control module	None	1	Behind center of dash	INSTRUMENT PANEL
IP088	Information and entertainment control module	None	1	Behind center of dash	INSTRUMENT PANEL
IP090	MOST Test Connector	None	1	Adjacent steering column	INSTRUMENT PANEL
IP090	MOST Test Connector	None	1	Adjacent steering column	INSTRUMENT PANEL
LW002	Wheel speed sensor-LH rear	Black	2	Beneath rear of vehicle LH side	ABS REAR
PD001	Passenger door harness to main harness	Dark Grey	22	Passenger 'A' post	PASSENGER DOOR
PD001	Passenger door harness to main harness	Dark Grey	22	Passenger 'A' post	CABIN RH
PD001	Passenger door harness to main harness	Dark Grey	22	Passenger 'A' post	CABIN LH
PD002	Mirror-Door-Passenger side	Grey	10	Behind passenger's door trim panel	PASSENGER DOOR
PD003	Module-Passenger-door	Grey	22	Behind passenger's door trim panel	PASSENGER DOOR
PD004	Speaker-Mid range-Front door-RH	White	2	Behind passenger's door trim panel	PASSENGER DOOR
PD005	Switch-Door-Passenger	Black	10	Behind passenger's door trim panel	PASSENGER DOOR
PD008	Module-Door latch-Passenger	Black	4	Behind passenger's door trim panel	PASSENGER DOOR
PD009	Module-Door handle-Passenger	Black	6	Behind passenger's door trim panel	PASSENGER DOOR
PD013	Mirror-Door-Passenger side	Grey	6	Behind passenger door switch pack	PASSENGER DOOR
PD014	Module-Door latch-Passenger	Grey	24	Behind passenger's door trim panel	PASSENGER DOOR
PD015	Main harness to front door harness	Grey	10	Passenger 'A' post	PASSENGER DOOR
PD015	Main harness to front door harness	Grey	10	Passenger 'A' post	CABIN RH
PD015	Main harness to front door harness	Grey	10	Passenger 'A' post	CABIN LH
PD016	Motor-Window-Passenger	Black	6	Behind passenger's door trim panel	PASSENGER DOOR
PI002	Ignition coil-1	Black	4	Top front of engine - LH side	
PI003	Ignition coil-3	Black	4	Top front of engine - LH side	
PI004	Ignition coil-5	Black	4	Top front of engine - LH side	
PI005	Ignition coil-7	Black	4	Top front of engine - LH side	
PI006	Ignition coil-2	Black	4	Top front of engine - RH side	
PI007	Ignition coil-4	Black	4	Top front of engine - RH side	
PI008	Ignition coil-6	Black	4	Top front of engine - RH side	
PI009	Ignition coil-8	Black	4	Top front of engine - RH side	
PI010	Sensor-Heated oxygen-(HO2S)-Front	Dark Grey	4	Rear RH side of engine	
PI011	Sensor-Heated oxygen-(HO2S)-Front	Black	4	Rear RH side of engine	
PI012	Sensor-Heated oxygen-(HO2S)-Front-RH - PV8	Dark Grey	4	Rear LH side of engine	
PI013	Sensor-Heated oxygen-(HO2S)-Rear	Black	4	Rear LH side of engine	
PI014	Engine harness to link harness - PV8	Black	5	Top front of engine - RH side	
PI015	Stepper Motor-EGR	Black	6	Front RH side of engine	

Connector	Description	Colour	Cavities	Location	Harness
PI016	Variable Camshaft Timing (VCT) Unit-Bank 1	Black	2	Top of engine - RH side	
PI017	Variable Camshaft Timing (VCT) Unit-Bank 2	Black	2	Top front of engine - LH side	
PI019	Sensor-Knock (KS)	Black	4	Top of engine	
PI021	Sensor-Crankshaft-position (CKP)	Black	2	Lower rear of engine - LH side	
PI022	Sensor-Camshaft-position (CMP)-bank 2	Black	2	Rear LH side of engine	
PI023	Sensor-Camshaft-position (CMP)-bank 1	Black	2	Rear RH side of engine	
PI024	Sensor-Oil temperature-level	Grey	2	Front RH side of engine	
PI025	Sensor-Engine coolant-temperature (ECT)	Black	2	Top of engine	
PI027	Fuel rail temperature sensor	Grey	2	Front RH side of engine	
PI028	Sensor-Fuel rail-pressure	Black	3	Top front of engine - RH side	
PI029	Sensor-Temperature and Manifold-Absolute Pressure (TMAP)	Black	4	Front RH side of engine	
PI032	Fuel injector-No.1	Black	2	Top front of engine - LH side	
PI033	Fuel injector-No.3	Black	2	Top front of engine - LH side	
PI034	Fuel injector-No.5	Black	2	Top front of engine - LH side	
PI035	Fuel injector-No.7	Black	2	Top front of engine - LH side	
PI036	Fuel injector-No.2	Black	2	Top front of engine - RH side	
PI037	Fuel injector-No.4	Black	2	Top front of engine - RH side	
PI038	Fuel injector-No.6	Black	2	Top front of engine - RH side	
PI039	Fuel injector-No.8	Black	2	Top front of engine - RH side	
PI040AL	Ground point	None	1	Rear LH side of engine compartment	
PI041	Engine harness to engine compartment harness	Black	21	Rear LH side of engine compartment	
PI046	Switch-Oil pressure	Grey	1	Front RH side of engine	
PI048	Alternator-generator - PV8	Black	3	Front RH side of engine	
PI049	Refrigerant solenoid valve	Black	2	Front LH side of engine	
PI051	Ground point	None	1	Front of engine - center	
PI054	Suppressor-Ignition-coil	Black	2	Front RH side of engine	
PI059	Capacitor-TCM	Black	2	RH side of gearbox	
PI300	Engine control-module (ECM)	Black	96	Rear LH side of engine compartment	
PI300	Engine control-module (ECM)	Black	96	Rear LH side of engine compartment	ENGINE PETROL V8 S/C
PI302	Solenoid-Vacuum (SAI)	Black	2	Front of engine - center	
PI302	Solenoid-Vacuum (SAI)	Black	2	Front of engine - center	
PI303	Unit-Electric throttle	Black	6	Top rear of engine - center	
PI304	Purge control valve	Black	2	Top of engine - RH side	
PI304	Purge control valve	Black	2	Top of engine - RH side	ENGINE PETROL V8 S/C
PI306	Ground point	None	1	Rear RH side of engine	
PI306	Ground point	None	1	Rear RH side of engine	ENGINE PETROL V8 S/C
PL001	Lumbar	Grey	8	Behind passenger seat backrest	
PL001	Lumbar	Grey	8	Behind passenger seat backrest	
PL001	Lumbar	Grey	8	Behind passenger seat backrest	
PL001	Lumbar	Grey	8	Behind passenger seat backrest	
PL002	Valve block-Lumbar-Passenger	Black	6	Beneath front passenger's seat	

Connector	Description	Colour	Cavities	Location	Harness
PL003	Pump-Lumbar-Passenger	Black	3	Behind passenger seat backrest	
PL004	Pump-Lumbar-Passenger	Black	3	Beneath front passenger's seat	
PL005	Solenoid-Seat bolster-Passenger	Black	6	Beneath front passenger's seat	
PL006	Diode-Inline	Black	3	Passenger seat - below	
PS001	Main harness to seat harness	Grey	20	Beneath front passenger's seat	CABIN RH
PS001	Main harness to seat harness	Grey	20	Beneath front passenger's seat	SEAT PASSENGER RHD
PS001	Main harness to seat harness	Grey	20	Beneath front passenger's seat	CABIN LH
PS001	Main harness to seat harness	Grey	20	Beneath front passenger's seat	SEAT PASSENGER LHD
PS002	Heater-Seat cushion-Passenger	Black	4	Beneath front passenger's seat	
PS002	Heater-Seat cushion-Passenger	Black	4	Beneath front passenger's seat	
PS003	Heater-Seat backrest-Passenger	Black	2	Behind passenger seat backrest	
PS003	Heater-Seat backrest-Passenger	Black	2	Behind passenger seat backrest	
PS004	Motor-Seat-Recline-Passenger	Black	5	Beneath front passenger's seat	
PS004	Motor-Seat-Recline-Passenger	Black	5	Beneath front passenger's seat	
PS005	Passenger seat height motor	Black	4	Beneath front passenger's seat	
PS005	Passenger seat height motor	Black	4	Beneath front passenger's seat	
PS006	Passenger seat slide motor	Black	4	Beneath front passenger's seat	
PS006	Passenger seat slide motor	Black	4	Beneath front passenger's seat	
PS007	Motor-Seat-Recline-Passenger	Black	5	Behind passenger seat backrest	
PS007	Motor-Seat-Recline-Passenger	Black	5	Behind passenger seat backrest	
PS009	Passenger seat slide motor	Black	5	Beneath front passenger's seat	
PS009	Passenger seat slide motor	Black	5	Beneath front passenger's seat	
PS010	Airbag-Side-Passenger	Grey	2	Behind passenger seat backrest	
PS010	Airbag-Side-Passenger	Grey	2	Behind passenger seat backrest	
PS011	Switch-Buckle-Passenger	Black	4	Beneath front passenger's seat	
PS011	Switch-Buckle-Passenger	Black	4	Beneath front passenger's seat	
PS015	Passenger seat module	Light Grey	26	Beneath front passenger's seat	
PS015	Passenger seat module	Light Grey	26	Beneath front passenger's seat	
PS016	Passenger seat module	Light Grey	16	Beneath front passenger's seat	
PS016	Passenger seat module	Light Grey	16	Beneath front passenger's seat	
PS017	Passenger seat module	Light Grey	12	Beneath front passenger's seat	
PS017	Passenger seat module	Light Grey	12	Beneath front passenger's seat	
PS018	Passenger seat module	Black	14	Beneath front passenger's seat	
PS018	Passenger seat module	Black	14	Beneath front passenger's seat	
PS025	Main harness to seat harness	Grey	4	Beneath front passenger's seat	CABIN RH
PS025	Seat harness to main harness	Grey	4	Beneath front passenger's seat	SEAT PASSENGER RHD
PS025	Main harness to seat harness	Grey	4	Beneath front passenger's seat	CABIN LH
PS025	Seat harness to main harness	Grey	4	Beneath front passenger's seat	SEAT PASSENGER LHD
PS027	Main harness to seat harness	Light Grey	4	Beneath front passenger's seat	CABIN RH
PS027	Seat harness to main harness	Light Grey	4	Beneath front passenger's seat	SEAT PASSENGER RHD

Connector	Description	Colour	Cavities	Location	Harness
PS027	Main harness to seat harness	Light Grey	4	Beneath front passenger's seat	CABIN LH
PS027	Seat harness to main harness	Light Grey	4	Beneath front passenger's seat	SEAT PASSENGER LHD
PS037	Sensor-Seat position-Fore and aft	Light Grey	2	Behind passenger seat backrest	
PS037	Sensor-Seat position-Fore and aft	Light Grey	2	Behind passenger seat backrest	
PS038	Mat-Belt minder	Light Grey	3	Beneath front passenger's seat	
PS038	Mat-Belt minder	Light Grey	3	Beneath front passenger's seat	
PS039	Service connector-passenger seat	Light Grey	4	Outer edge of seat	
PS039	Service connector-passenger seat	Light Grey	4	Outer edge of seat	
PS040	Service connector-passenger seat	Light Grey	4	Outer edge of seat	
PS040	Service connector-passenger seat	Light Grey	4	Outer edge of seat	
PS041	Belt minder control module	Green	6	Beneath front passenger's seat	
PS041	Belt minder control module	Green	6	Beneath front passenger's seat	
PT001	Passenger door trim harness to passenger door harness	Dark Grey	22	Behind passenger's door trim panel	PASSENGER DOOR TRIM
PT001	Passenger door harness to passenger door trim harness	Dark Grey	22	Behind passenger's door trim panel	PASSENGER DOOR
PT002	Front Tweeter-RH	White	2	Behind passenger door cheater panel	PASSENGER DOOR TRIM
PT003	Passenger door switch pack	Light Blue	5	Behind passenger door switch pack	PASSENGER DOOR TRIM
PT004	Lamp-Puddle-Front	Black	2	Behind passenger's door trim panel	PASSENGER DOOR TRIM
PT006	Switch-Seat-Passenger	Black	4	Behind passenger's door trim panel	PASSENGER DOOR TRIM
PT008	Switch-Door-Passenger	Light Grey	2	Behind passenger's door trim panel	PASSENGER DOOR TRIM
RB001	Rear bumper harness to main harness	Green	16	Rear of luggage compartment - LH side	BUMPER REAR
RB001	Main harness to rear bumper harness	Green	16	Rear of luggage compartment - LH side	CABIN RH
RB001	Main harness to rear bumper harness	Green	16	Rear of luggage compartment - LH side	CABIN LH
RB003	Parking aid sensor-Outer-Front-LH	Black	3	Behind LH side of front bumper	BUMPER REAR
RB004	Parking aid sensor-Inner-Rear-LH	Black	3	Behind LH side of rear bumper	BUMPER REAR
RB005	Parking aid sensor-Inner-Rear-RH	Black	3	Behind RH side of rear bumper	BUMPER REAR
RB006	Parking aid sensor-Outer-Rear-RH	Black	3	Behind RH side of rear bumper	BUMPER REAR
RB008	Antenna-LF-Rear-External	Grey	4	Behind centre of rear bumper	BUMPER REAR
RB009	Initiator-Rear-RH	Grey	2	Below RH rear wheelarch	BUMPER REAR
RB010	Initiator-Rear-LH	Grey	2	Below LH rear wheelarch	BUMPER REAR
SA001	Clock spring	Black	4	In center of steering wheel	
SA002	Air bag-Driver	None	2	In center of steering wheel	
SA003	Air bag-Driver	Black	2	In center of steering wheel	
SA004	Clock spring	Black	6	In center of steering wheel	
SW002	Connector	Black	6	In center of steering wheel	
SW003	Switch-Remote-ICE	Black	6	Steering Wheel	
SW004	Switch-Remote-ICE	Black	4	Steering Wheel	
SW005	Switch-Remote-ICE	Black	5	Steering Wheel	
SW008	Switch-Horn	White	1	Steering Wheel	
SW009	Cruise controls-Remote	Black	4	Steering Wheel	
SW010	Upshift paddle switch	Black	3	Behind steering column cowl - RH side	
SW011	Downshift paddle switch	Black	3	Behind steering column cowl LH side	

Connector	Description	Colour	Cavities	Location	Harness
SW012	Switch-Horn	White	1	In center of steering wheel	
SW013	Switch-Horn	Natural	1	In center of steering wheel	
SW014	Switch-Horn	Natural	1	In center of steering wheel	
TA001	Antenna harness to telephone harness	Grey	8	Luggage compartment - RH side	TAILGATE ANTENNA
TA001	Antenna harness to telephone harness	Grey	8	Luggage compartment - RH side	TRUNKLID
TA001	Telephone harness to antenna harness	Grey	8	Luggage compartment - RH side	TELEMATICS
TA003	Antenna harness to telephone harness	Curry	2	Luggage compartment - RH side	TELEMATICS
TA003	Telephone harness to antenna harness	None	1	Luggage compartment - RH side	TAILGATE ANTENNA
TA004	Antenna harness to telephone harness	None	1	Luggage compartment - RH side	
TA004	Telephone harness to antenna harness	None	1	Luggage compartment - RH side	TAILGATE ANTENNA
TA004	Telephone harness to antenna harness	Curry	2	Luggage compartment - RH side	TELEMATICS
TA006	Liftgate Latch/Luggage Compartment Lid Latch	Natural	6	Luggage compartment lid	
TA006	Liftgate Latch/Luggage Compartment Lid Latch	Natural	6	Luggage compartment lid	TAILGATE ANTENNA
TA008	GPS antenna	None	1	Luggage compartment lid	
TA008	GPS antenna	None	1	Luggage compartment lid	TAILGATE ANTENNA
TA009	SDARS antenna	None	1	Luggage compartment lid	
TA009	SDARS antenna	None	1	Luggage compartment lid	TAILGATE ANTENNA
TA011	Heated rear window (HRW)	Black	1	Rear screen - lower	TAILGATE ANTENNA
TL001	Tailgate harness to trunk lid harness	Black	10	Luggage compartment lid	TRUNKLID
TL001	Trunk lid harness to tailgate harness	Black	10	Luggage compartment lid	TAILGATE LINK
TL001	Trunk lid harness to tailgate harness	Black	10	Luggage compartment lid	BOOTLID LINK
TL004	Switch-Boot release	Black	2	Luggage compartment lid	
TL005	Lamp-Rear number plate-RH	None	2	Luggage compartment lid	
TL006	Lamp-Rear number plate-LH	None	2	Luggage compartment lid	
TL008	High mounted stop lamp	Black	2	Luggage compartment lid	
TL011	Lamp-Fog-reverse-LH	Black	2	LH side of boot lid	
TL012	Lamp-Fog-reverse-RH	Black	2	RH side of boot lid	
TLU01	Screen	None	1	Driver 'A' post	CABIN LH
TLU01	Screen	None	1	Driver 'A' post	CABIN RH
TM001	Instrument panel harness to telephone harness	Black	4	Beneath center console RH side	INSTRUMENT PANEL
TM001	Instrument panel harness to telephone harness	Black	4	Beneath center console RH side	INSTRUMENT PANEL
TM001	Telephone harness to instrument panel harness	Black	4	Beneath center console RH side	TELEMATICS
TM002	Main harness to telephone harness	Light Grey	14	Behind RH rear trim panel	CABIN RH
TM002	Main harness to telephone harness	Light Grey	14	Behind RH rear trim panel	CABIN LH
TM002	Telephone harness to main harness	Light Grey	14	Behind RH rear trim panel	TELEMATICS
TM009	Navigation system module	Grey	12	Behind rear seat backrest	TELEMATICS
TM010	Navigation system module	None	1	Behind rear seat backrest	TELEMATICS
TM011	Navigation system module	None	1	Behind rear seat backrest	TELEMATICS
TM021	Module-Telephone	Black	32	Front of luggage compartment - RH side	TELEMATICS
TM027	AM/FM antenna	None	1	Luggage compartment - RH side	TELEMATICS

Connector	Description	Colour	Cavities	Location	Harness
TM028	Aerial-Electric	White	6	Luggage compartment - RH side	TELEMATICS
TM033	Receiver-Radio-frequency (RF)	Black	2	Front of luggage compartment - RH side	TELEMATICS
TM034	Receiver-Radio-frequency (RF)	None	1	Front of luggage compartment - RH side	TELEMATICS
TM066	Bluetooth Antenna	None	1	Beneath front console	TELEMATICS
TM071	Telephone harness to instrument panel harness	None	1	Beneath center console	TELEMATICS
TM071	Telephone harness to instrument panel harness	None	1	Beneath center console	INSTRUMENT PANEL
TM071	Telephone harness to instrument panel harness	None	1	Beneath center console	INSTRUMENT PANEL
TM075	Link harness to ice harness	None	1	Behind rear seat backrest	TELEMATICS
TM077	Module-Signal splitter	None	1	Luggage compartment - RH side	TELEMATICS
TM078	Module-Signal splitter	Black	2	Luggage compartment - RH side	TELEMATICS
TM079	Module-Signal splitter	None	1	Luggage compartment - RH side	TELEMATICS
TM080	Module-Signal splitter	None	1	Luggage compartment - RH side	TELEMATICS
TM085	Solenoid-Damper Rear-RH	Black	2	Rear of luggage compartment - RH side	TELEMATICS
TM086	Navigation system module	None	1	Behind rear seat backrest	TELEMATICS
TM087	Motor-Release-Fuel flap	Dark Grey	2	Below RH rear wheelarch	TELEMATICS
TM088	Telephone harness to instrument panel harness	None	1	In rear of center console	TELEMATICS
TM088	Instrument panel harness to telephone harness	None	1	In rear of center console	INSTRUMENT PANEL
TM088	Instrument panel harness to telephone harness	None	1	In rear of center console	INSTRUMENT PANEL
TM090	Instrument panel harness to telephone harness	None	1	Beneath center console RH side	INSTRUMENT PANEL
TM090	Instrument panel harness to telephone harness	None	1	Beneath center console RH side	INSTRUMENT PANEL
TM090	Telephone harness to instrument panel harness	None	1	Beneath center console RH side	TELEMATICS
TM093	Lamp-Load space	Black	2	Luggage compartment - RH side	TELEMATICS
TM095	Bluetooth Antenna	None	1	Front of luggage compartment - RH side	TELEMATICS
TM099	Navigation system module	None	1	Behind rear seat backrest	TELEMATICS

ABS control module.....	06.1	Diagnostic Connector	03.1
.....	06.2	05.1
.....	21.1	21.1
Accelerometer-Front.....	06.4	21.2
Accelerometer-Rear	06.4	Downshift paddle switch	05.2
Active Exhaust Solenoid Valve.....	04.5	10.3
Active Exhaust Vacuum Pump	04.5	Driver seat Cushion Extension Motor	12.1
Actuator-Hood latch-RH	18.4	Driver seat module.....	12.1
Adaptive Damping Module	06.4	21.2
.....	21.1	Drivers seat height motor.....	12.1
Adaptive speed control sensor	06.6	Drivers seat slide motor	12.1
.....	21.1	ECU-Heated steering-wheel	12.3
Air bag-Driver	18.2	Engine control-module (ECM)	03.1
.....	18.3	04.1
Air bag-Passenger.....	18.2	04.2
.....	18.3	04.3
Airbag-Side-Driver	18.2	04.4
.....	18.3	04.5
Airbag-Side-Passenger	18.2	04.6
.....	18.3	04.7
AM/FM antenna.....	16.1	05.1
.....	16.2	06.5
.....	17.2	18.2
Amplifier-power.....	16.1	18.3
.....	21.3	21.1
Antenna-LF-Cabin-Center	13.1	Engine Coolant Temperature Sensor (ECT).....	04.1
Antenna-LF-Cabin-Front.....	13.1	Face/feet air distribution door motor	07.1
Antenna-LF-Rear-External	13.2	Fan-Cooling-Power amplifier	16.1
.....	13.3	Front Speaker-Driver	16.1
Antenna-LF-Rear-Internal	13.1	16.2
Antenna-VICS.....	17.2	Front Speaker-Passenger.....	16.1
Assembly-Door-lock-Drivers.....	13.4	16.2
.....	13.5	Front Tweeter-Driver.....	16.1
Assembly-Door-lock-Passenger.....	13.4	16.2
.....	13.5	Front Tweeter-Passenger	16.1
Automatic Temperature Control Module	07.1	16.2
.....	09.1	Fuel injector-No.1	04.4
.....	09.4	04.5
.....	21.2	Fuel injector-No.2	04.4
Auxiliary switch pack	06.6	04.5
.....	08.1	Fuel injector-No.3	04.4
.....	09.7	04.5
.....	10.3	Fuel injector-No.4	04.4
.....	13.4	04.5
Battery backed sounder.....	13.6	Fuel injector-No.5	04.4
Belt minder control module.....	18.1	04.5
Capacitor	04.4	Fuel injector-No.6	04.4
Capacitor-TCM	05.1	04.5
Center speaker	16.1	Fuel injector-No.7	04.4
Cigar lighter-Front.....	10.3	04.5
.....	20.1	Fuel injector-No.8	04.4
.....	05.2	04.5
.....	06.5	Fuel Tank	04.6
.....	10.3	Generator.....	03.1
.....	13.6	GPS antenna	17.2
.....	16.1	Handle-Driver door	13.2
.....	16.2	13.3
.....	18.2	Handle-Passenger door.....	13.2
.....	18.3	13.3
Connect when transit relay is removed	03.1	Headlamp-LH.....	09.1
Control unit-Blower-motor-Front	07.1	09.2
Control Unit-Cooling Fan	04.7	09.3
Convertible	18.1	09.4
.....	21.2	Headlamp-RH	09.1
Convertible top latch motor and rear	07.2	09.2
screen heater element.....	15.2	09.3
.....	15.2	09.4
Convertible top latch sensors	15.2	Heater-Seat backrest-Driver	12.3
Convertible top latched sensor	15.2	Heater-Seat backrest-Passenger	12.3
Convertible top main connector.....	15.2	Heater-Seat cushion-Driver	12.3
Convertible top pump	15.2	Heater-Seat cushion-Passenger.....	12.3
Convertible top stowage sensor	15.2	Heater-Steering wheel	12.3
Coupe.....	18.1	High mounted stop lamp	09.5
.....	21.2	Hood actuator-LH	18.4
Cruise controls-Remote.....	06.5	Hood actuator-RH	18.4
.....	10.3	Hood ajar switch	13.5

Hood latch actuator-LH.....	18.4	Mat-Belt minder.....	18.1
Horn (s).....	13.6	Microphone	17.1
Ignition coil-1.....	04.4	Mirror-Door-Driver side	07.2
Ignition coil-2.....	04.4	11.2
Ignition coil-3.....	04.4	Mirror-Door-Passenger side.....	07.2
Ignition coil-4.....	04.4	11.2
Ignition coil-5.....	04.4	Mirror-interior	11.2
Ignition coil-6.....	04.4	Mirror-Vanity-LH.....	10.1
Ignition coil-7.....	04.4	Mirror-Vanity-RH.....	10.1
Ignition coil-8.....	04.4	Module-Convertible top	15.2
Information and entertainment control module	16.1	21.2
.....	16.2	Module-Door latch-Driver	13.2
.....	21.2	13.3
.....	21.3	Module-Door latch-Passenger	13.2
Initiator-Front-LH.....	06.7	13.3
Initiator-Front-RH.....	06.7	Module-Drivers-door	03.1
Initiator-Rear-LH.....	06.7	07.2
Initiator-Rear-RH.....	06.7	10.2
Instrument cluster	03.1	11.2
.....	05.1	12.1
.....	05.2	13.4
.....	06.5	13.5
.....	06.6	15.1
.....	08.1	21.2
.....	09.1	Module-Fuel-pump driver	04.6
.....	09.4	Module-Headlamp levelling.....	09.2
.....	09.6	09.3
.....	09.7	21.1
.....	10.3	Module-Intrusion detection.....	13.5
.....	11.1	Module-Passenger-door	03.1
.....	13.1	07.2
.....	13.4	10.2
.....	13.5	11.2
.....	14.1	12.2
.....	18.1	13.4
.....	21.1	13.5
.....	21.2	15.1
Integrated audio module	16.1	21.2
.....	16.2	Module-Road pricing.....	20.1
.....	17.1	Module-Signal splitter	16.1
.....	17.2	16.2
.....	21.3	17.2
Integrated control panel	09.6	Module-Slave intrusion detection.....	13.5
.....	16.1	Module-steering column locking	13.5
.....	16.2	21.1
.....	21.2	Module-Telephone	17.1
Jump Start-Post.....	03.1	21.3
Keyless vehicle module	13.1	Module-Tyre pressure monitoring system	06.7
.....	13.2	21.2
.....	13.3	MOST Test Connector	21.3
.....	13.4	Motor-Blower.....	07.1
.....	13.5	Motor-Recirculated air.....	07.1
.....	21.2	Motor-Release-Fuel flap	13.4
Lamp-Fog-Front-LH.....	09.7	Motor-Seat-Back recline	12.2
Lamp-Fog-Front-RH.....	09.7	Motor-Seat-Squab recline	12.1
Lamp-Fog-reverse-LH	09.5	12.2
.....	09.7	Motor-Seat-Tilt-Driver	12.1
Lamp-Fog-reverse-RH.....	09.5	Motor-Window-Driver	15.1
.....	09.7	Motor-Window-Passenger	15.1
Lamp-Footwell-Front-LH.....	10.1	Motor-Wiper-Windscreen	14.1
Lamp-Footwell-Front-RH	10.1	Navigation system module	17.2
Lamp-Glove box	10.1	21.3
Lamp-Load space.....	10.2	Overhead console	10.1
Lamp-Load space-Convertible	10.2	10.3
Lamp-Load space-LH	10.2	15.2
Lamp-Puddle-Driver.....	10.2	19.1
Lamp-Puddle-Passenger.....	10.2	Parking aid module	19.1
Lamp-Rear number plate-LH.....	09.4	21.2
Lamp-Rear number plate-RH	09.4	Parking aid sensor-Inner-Front-LH	19.1
Lamp-Side repeater-Front-LH	09.6	Parking aid sensor-Inner-Front-RH	19.1
Lamp-Side repeater-Front-RH.....	09.6	Parking aid sensor-Inner-Rear-LH	19.1
LH air temperature door motor	07.1	Parking aid sensor-Inner-Rear-RH	19.1
LH stop lamp.....	09.5	Parking aid sensor-Outer-Front-LH.....	19.1
Liftgate Latch/Luggage Compartment Lid Latch.....	10.2	Parking aid sensor-Outer-Front-RH	19.1
.....	13.4	Parking aid sensor-Outer-Rear-LH	19.1
.....	13.6	Parking aid sensor-Outer-Rear-RH.....	19.1

Parking Brake Actuator.....	06.3	Sensor-Oxygen-Even-Pre-catalyst	04.3
Parking brake module.....	06.3	Sensor-Oxygen-Odd-Post catalyst	04.3
.....	21.1	Sensor-Oxygen-Odd-Pre-catalyst.....	04.3
Passenger door switch pack.....	15.1	Sensor-Pedestrian impact	18.4
Passenger seat height motor	12.2	Sensor-Pollution	07.1
Passenger seat module.....	12.2	Sensor-Position-Accelerator pedal	04.1
.....	21.2	Sensor-Pressure-Air Conditioning	07.1
Passenger seat slide motor	12.2	Sensor-Pressure-Fuel rail.....	04.1
Passive-sounder.....	13.6	Sensor-Rain.....	14.1
Pedestrian protection accelerometer - LH.....	18.4	Sensor-Seat position-Fore and aft.....	12.2
Pedestrian protection accelerometer-RH	18.4	Sensor-Spare tyre.....	06.7
Pedestrian protection module.....	18.4	Sensor-Steering-angle.....	06.1
.....	21.1	06.2
Power steering solenoid.....	08.1	Sensor-Sunlight	07.1
Pre-tensioner-Driver	18.1	08.1
Pre-tensioner-Passenger.....	18.1	09.1
Pump-Auxiliary coolant.....	07.1	09.4
Pump-Lumbar-Driver.....	12.1	13.5
Pump-Lumbar-Passenger	12.2	Sensor-Temperature and	
Pump-Power wash	14.1	Manifold-Absolute Pressure (TMAP)	04.1
Pump-Washer-Windscreen	14.1	Sensor-Temperature/ Humidity.....	07.1
Purge control valve.....	04.4	Sensor-Temperature-Fuel rail.....	04.2
Rear Quarter Window Regulator Motor-LH	15.2	Sensor-Tyre-Front-LH.....	06.7
Rear Quarter Window Regulator Motor-RH	15.2	Sensor-Tyre-Front-RH	06.7
Rear Speaker-LH.....	16.1	Sensor-Tyre-Rear-LH.....	06.7
.....	16.2	Sensor-Tyre-Rear-RH.....	06.7
Rear Speaker-RH.....	16.1	Sensor-Yaw Rate	06.1
.....	16.2	06.2
Rear window heater element.....	07.2	21.1
Receiver-Tyre-pressure monitoring.....	06.7	Service connector-driver seat	12.1
Refrigerant solenoid valve.....	07.1	Service connector-passenger seat	12.2
Relay-Transit.....	03.1	Side impact sensor-LH	18.2
Restraints control module.....	18.1	18.3
.....	18.2	Side impact sensor-RH.....	18.2
.....	18.3	18.3
.....	21.1	Slip rings-Steering wheel	12.3
RF receiver	13.1	Socket-Accessory-Front	20.1
.....	13.2	Socket-Accessory-Rear	20.1
.....	13.3	Solenoid-Comfort-LH.....	18.2
.....	13.5	18.3
RH air temperature door motor.....	07.1	Solenoid-Comfort-RH	18.2
RH stop lamp.....	09.5	18.3
Roll over protection hoop.....	18.3	Solenoid-Damper Rear-RH.....	06.4
Screen air distribution door motor	07.1	Solenoid-Damper-Front-LH	06.4
SDARS antenna	16.3	Solenoid-Damper-Front-RH.....	06.4
SDARS tuner module	16.3	Solenoid-Damper-Rear-LH.....	06.4
.....	21.3	Solenoid-Lumbar-pump	12.1
Seat heater switches are operated from the TSD	12.3	12.2
Secondary Air Injection (SAI) pump	04.3	Solenoid-Seat bolster-Driver.....	12.1
Selector-Automatic transmission	03.1	Solenoid-Seat bolster-Passenger	12.2
.....	05.1	Solenoid-Vacuum (SAI)	04.3
.....	10.3	Speaker-Subwoofer	16.1
.....	21.1	Speed control module.....	06.6
Sensor-Ambient air-temperature	04.1	21.1
Sensor-CMP-LH.....	04.2	Start control unit.....	03.1
Sensor-CMP-RH.....	04.2	08.1
Sensor-Crankshaft-position (CKP).....	04.2	13.1
Sensor-Driver-seat track.....	12.1	Starter motor.....	03.1
.....	18.1	Stepper Motor-EGR	04.4
.....	18.1	Super charger coolant pump	04.7
Sensor-DSC	06.2	Switch-Automatic speed limiter (ASL)	05.1
Sensor-Evaporator	07.1	10.3
Sensor-Headlamp-levelling-Front.....	09.2	Switch-Boot release	13.2
.....	09.3	13.3
Sensor-Headlamp-levelling-Rear	09.2	13.4
.....	09.3	Switch-Brake-1	06.3
Sensor-Impact-Front-LH.....	18.2	06.5
.....	18.3	09.5
Sensor-Impact-Front-RH	18.2	Switch-Brake-2	06.5
.....	18.3	Switch-Brake-fluid level	06.1
Sensor-Knock (KS).....	04.2	06.2
Sensor-Low washer-fluid level	14.1	Switch-Buckle-Driver	18.1
Sensor-Manifold Absolute-Pressure (MAP)	04.1	Switch-Buckle-Passenger.....	18.1
Sensor-MAP-Secondary air injection (SAI)	04.1	Switch-Door-Driver	13.4
Sensor-Mass air-flow (MAF).....	04.1	Switch-Door-Passenger.....	13.4
Sensor-Oil temperature-level.....	04.1	Switch-Electric-park brake	06.3
Sensor-Oxygen-Even-Post catalyst	04.3		

Switch-Glove-box.....	10.1
Switch-Horn	13.6
Switch-Oil pressure.....	08.1
Switch-Remote-ICE	05.2
.....	06.5
.....	10.3
.....	13.6
.....	16.1
.....	16.2
Switch-Seat-Driver.....	12.1
Switch-Seat-Passenger	12.2
Switch-Start-stop	03.1
.....	05.1
.....	10.3
.....	13.1
Switch-Steering column adjustment	08.1
.....	11.1
Switch-Steering column-Lighting	08.1
.....	09.1
.....	09.4
.....	09.6
.....	09.7
Switch-Steering column-Wiper	08.1
.....	14.1
Switch-Window-mirror-Driver.....	11.2
.....	12.1
.....	15.1
Tail lamp unit-LH.....	09.4
Tail lamp unit-RH	09.4
Telephone antenna	17.1
Touch screen display.....	17.2
.....	21.3
Transit mode-bypass connector	03.1
.....	07.2
.....	10.2
.....	11.2
.....	13.4
.....	15.1
Transmission control module.....	05.1
.....	21.1
Trunk stack	21.3
Tunnel.....	21.3
Turn signal indicator/ hazard flasher lamp-Rear-LH	09.6
Turn signal indicator/ hazard flasher lamp-Rear-RH	09.6
Turn signal indicator/ hazard warning lamp-Front LH.....	09.6
Turn signal indicator/ hazard warning lamp-Front RH	09.6
Unit-Electric throttle	04.2
Unit-Leak detection	04.6
Unit-Steering column	08.1
.....	11.1
Upshift paddle switch.....	05.2
.....	10.3
Valve block-Lumbar-Driver	12.1
Valve block-Lumbar-Passenger	12.2
Variable Camshaft Timing (VCT) Unit-Bank 1	04.4
Variable Camshaft Timing (VCT) Unit-Bank 2.....	04.4
Wheel speed sensor-LH front.....	06.1
.....	06.2
Wheel speed sensor-LH rear.....	06.1
.....	06.2
Wheel speed sensor-RH front	06.1
.....	06.2
Wheel speed sensor-RH rear	06.1
.....	06.2
Windshield LH heater element	07.2
Windshield RH heater element.....	07.2

