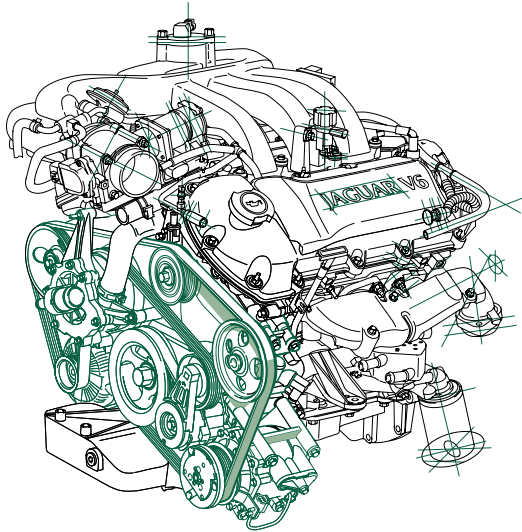


# Vehicle Specifications



07/2004





Using correct and up-to-date technical data and specifications when servicing Jaguar Vehicles is important to ensure a safe and trouble free operation.

This booklet is produced to assist Jaguar Service Technicians in their task of providing first class repairs and service to Jaguar Vehicles. Enabling them to achieve the high standard of workmanship customers expect from Jaguar Dealers.

The date printed on the front cover is the issue date of the booklet. The booklet will be updated and reissued periodically to enable the inclusion of new and modified data.

In between these updates we recommend that information issued in publications, such as Technical Service Bulletins, which supersedes the information issued here should be entered by hand into this booklet.

<b>SECTION</b>	<b>PAGE</b>
Vehicle Identification Numbers (VIN) . . . . .	1
Location of Powertrain Identification Codes . . . . .	4
Engine Data . . . . .	10
Engine Cylinder Numbering and Firing Order . . . . .	16
Engine Valve Clearances . . . . .	20
Spark Plug Specification . . . . .	21
Engine Oil – Specification and Capacity . . . . .	25
Rear Axle Differential Ratio . . . . .	38
Transmission and Differential Lubricants – Specification and Capacity . . . . .	43
Engine Coolant – Specification and Capacity . . . . .	47
Air Conditioning – Specification and Capacity . . . . .	51
Power Steering Fluid – Specification and Capacity . . . . .	52
Tire Specification (Original Equipment) . . . . .	56
Tire Specification (Winter) . . . . .	62
Tire Pressures (Original Equipment) . . . . .	65
Tire Pressures (Winter) . . . . .	76
Vehicle Ride Heights . . . . .	77
Wheel Alignment – Front . . . . .	86
Wheel Alignment – Rear . . . . .	100
Tightening Torques – Wheel Nuts . . . . .	106
Tightening Torques – V8 Gasoline Engine . . . . .	107
Tightening Torques – V6 Gasoline Engine . . . . .	111
Tightening Torques – V6 Diesel Engine . . . . .	117
Tightening Torques – 2.0 Liter Diesel Engine . . . . .	120
Tightening Torques and Sequence – Cylinder Heads . . . . .	123
Tightening Torques and Sequence – Intake and Exhaust Manifolds . . . . .	127
Accessory Drive Belt Installation . . . . .	134

## Vehicle Identification Number

## Notes

It is essential that the vehicle identification number (VIN) is quoted when ordering parts, and in all associated correspondence.

### XJ

**Up to 2003.5 MY:** Dependent upon market, the VIN and other information are displayed on a label located either on the rear edge of the left-hand front door or on the body front-upper crossmember. The VIN stamping is located on the right-hand-side of the luggage compartment and a quick reference plate is visible through the left-hand lower corner of the windshield.

**2003.5 MY onwards:** The VIN and other information are displayed on a label located on left-hand "A" pillar. The VIN stamping is located on the right-hand-side of the luggage compartment and a quick reference plate is visible through the left-hand lower corner of the windshield.

### XK

The VIN and other information are displayed on a label located on the left-hand "B" pillar above the door striker plate. The VIN stamping is located on the right-hand-side of the luggage compartment and a quick reference plate is visible through the left-hand lower corner of the windshield.

### S-TYPE

The VIN and other information are displayed on a label located on left-hand "A" pillar. The VIN stamping is located on the right-hand-side of the luggage compartment and a quick reference plate is visible through the left-hand lower corner of the windshield.

### X-TYPE

The VIN and other information are displayed on a label, located on:

- early vehicles, the left-hand "A" pillar,
- later vehicles, bottom of the left-hand "B" pillar.

The VIN stamping is located on the right-hand-side of the luggage compartment and a quick reference plate is visible through the left-hand lower corner of the windshield.

## Vehicle Identification Numbers (VIN)

2

Model Year	VIN	
	From	To
<b>XJ</b>		
1998	812317	853935
1999	853936	878717
2000	F00103	F20644
2001	F20645	F41862
2002	F41863	F59525
2003.5	G00442	G12877
2004	G12878	G34526
2005	G34527	Current
<p>1998 – Introduction of V8 3.2L Gasoline Engine.                      1998 – Introduction of V8 4.0L N/A and SC Gasoline Engine.                      2003.5 – Introduction of New XJ.                      2003.5 – Introduction of V6 3.0L Gasoline Engine.                      2003.5 – Introduction of V8 3.5L Gasoline Engine.                      2003.5 – Introduction of V8 4.2L N/A and SC Gasoline Engine.                      2005 – Introduction of LWB.</p>		

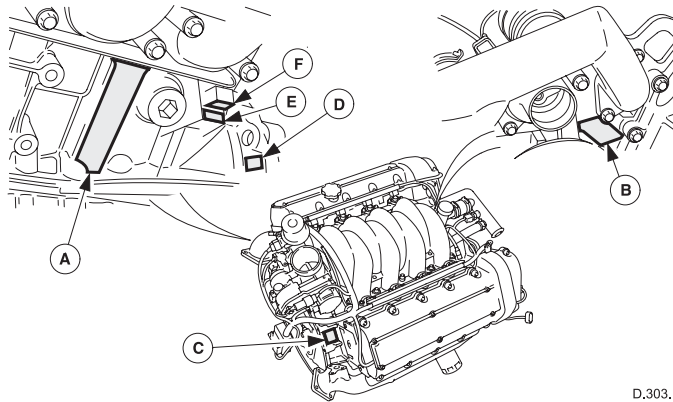
Model Year	VIN		<u>Notes</u>
	From	To	
<b>XK</b>			
1997	001246	018107	
1998	018108	024686	
1998.75	024687	031302	
1999	031303	042775	
2000	A00116	A11139	
2001	A11140	A24195	
2002	A24196	A30644	
2003	A30645	A35154	
2003.5	A35155	A36873	
2004	A36874	A40264	
2004.5	A40265	Current	
<p>1997 – Introduction of V8 4.0L N/A Gasoline Engine.                      1998.75 – Introduction of V8 4.0L SC Gasoline Engine.                      2003 – Introduction of V8 4.2L N/A and SC Gasoline Engine.</p>			

Model Year	VIN	
	From	To
<b>S-TYPE</b>		
1999.25	L00600	L31320
2000	L31321	L52822
2000.5	L52823	L86901
2001	L86902	M45254
2002.5	M45255	M62935
2003	M62936	M94764
2004	M94765	N13088
2004.5	N13089	N14070
2004.75	N14071	Current
<p>1999.25 – Introduction of V6 3.0L Gasoline Engines.                      1999.25 – Introduction of V8 4.0L Gasoline Engines.                      2002.5 – Introduction of V6 2.5L Gasoline Engines.                      2002.5 – Introduction of V8 4.2L N/A and SC Gasoline Engine.                      2004.75 – Introduction of V6 2.7L Diesel Engine.</p>		

Model Year	VIN		Notes
	From	To	
<b>X-TYPE</b>			
2001.5	C00344	C42384	
2002	C42385	C59260	
2002.25	C59261	D01807	
2003	D01808	D55321	
2004.25	D55322	D86654	
2004.5	D86655	Current	
<p>2001.5 – Introduction of V6 2.5 Gasoline Engines                      2001.5 – Introduction of V6 3.0 Gasoline Engines                      2002.25 – Introduction of V6 2.0 liter Gasoline Engine                      2004.25 – Introduction of inline 4cyl 2.0 liter Diesel Engine                      2004.5 – Introduction of Estate (VIN D88174)</p>			

## V8 Gasoline (XJ, XK and S-TYPE) – Engine Identification Codes

Notes



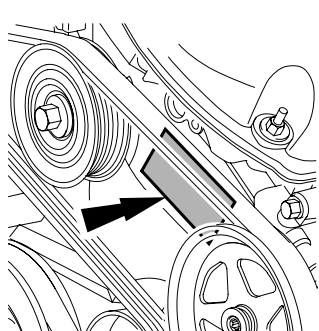
D.303.1697

- A Engine Technical Data, also Serial Number from 2001 MY
- B Serial Number up to 2001 MY
- C Emission Code XJ and XK
- D S-TYPE Emission Code, primary position (up to VIN M51309)
- E S-TYPE Emission Code, primary position (VIN M51310 onwards), also XJ 2003.5 MY
- F S-TYPE Emission Code, secondary position for amended codes, also XJ 2003.5 MY

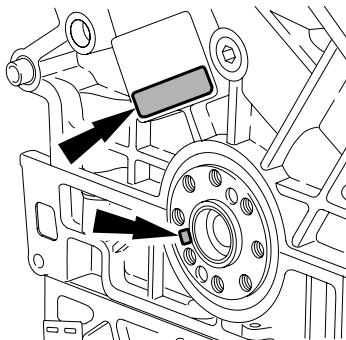


## V6 Gasoline (XJ and S-TYPE) – Engine Identification Codes

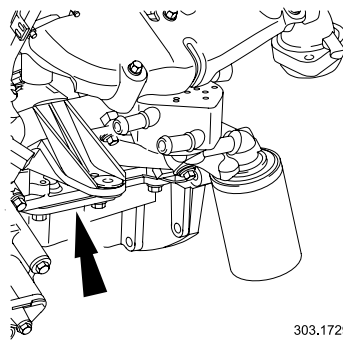
Notes



Engine Identification Code



Mains Bearing Selection Codes

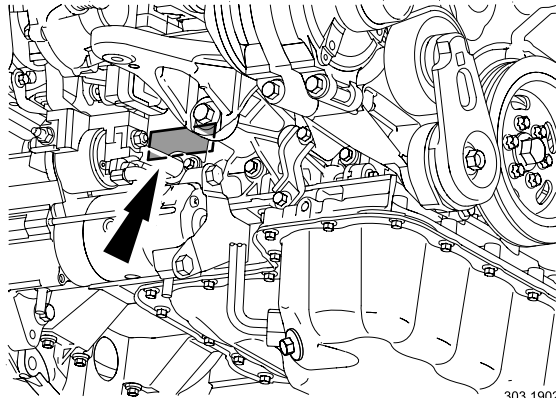
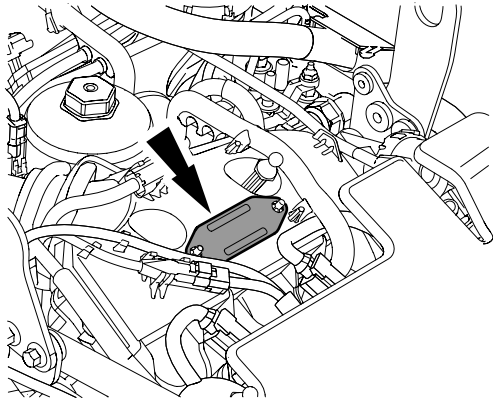


Serial Number and Emission Code

303.1729

## V6 Diesel (S-TYPE) – Engine Identification Codes

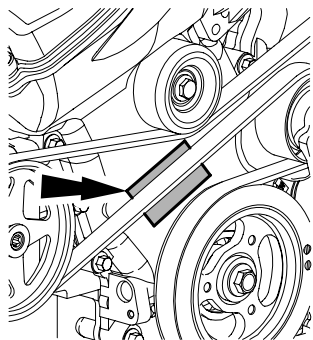
Notes



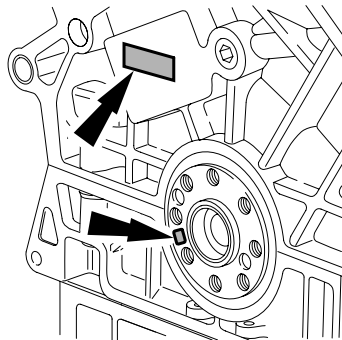
Engine Identification Code, Serial Number and Emission Code (Two Positions)

## V6 Gasoline (X-TYPE) – Engine Identification Codes

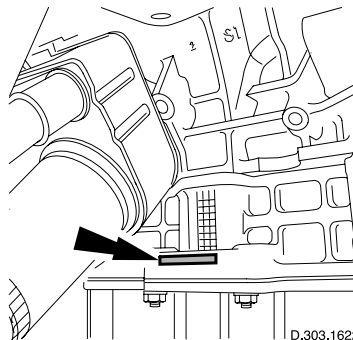
Notes



Engine Identification Code



Mains Bearing Selection Codes

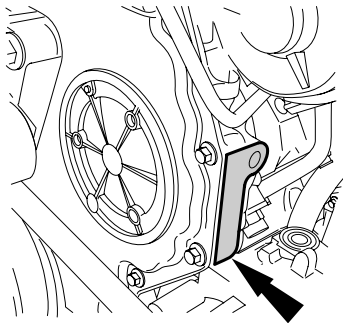


D.303.1622

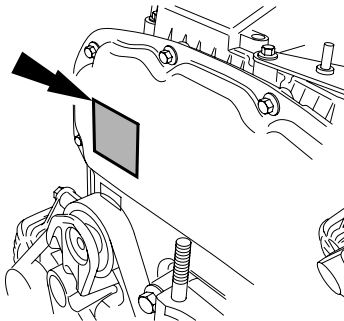
Serial Number and Emission Code

## 2.0 Liter Diesel (X-TYPE) – Engine Identification Codes

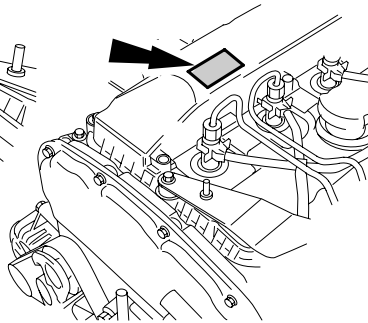
Notes



Serial Number and Emission Code



Engine Identification Code



Fuel Injector Codes

303.175

### All Vehicles: Transmission and Final Drive Identification Codes

Transmission: the serial numbers are either stamped on the casing, or displayed on a metal plate or bar-code label attached to the casing.

Final drive unit: serial numbers are either stamped on the casing, or displayed on a metal label or bar-code label attached to the units casing.

Notes

Model/ Engine	Engine Capacity	Engine Description	Max. Engine Torque (DIN)	Max. Engine Power (DIN)	Max. Engine Torque (EC and SAE)	Max. Engine Power (EC and SAE)	Comp. Ratio	Bore	Stroke
<b>X): 1998 up to 2003.5 MY – VIN From 812317 To F59525</b>									
3.2 liter Gasoline	3248 cm <sup>3</sup> (198.2 in <sup>3</sup> )	90° "Vee" 8 Cylinder 32 Valves	316 Nm / 233 lb ft at 4350 RPM	240 BHP / 179 kW / 243 PS at 6350 RPM	310 Nm / 228 lb ft at 4350 RPM	233 BHP / 174 kW / 237 PS at 6350 RPM	10.5 : 1 ± 0.5 : 1	86.0 mm (3.386 in)	70.0 mm (2.756 in)
4.0 liter Gasoline	3996 cm <sup>3</sup> (244 in <sup>3</sup> )	90° "Vee" 8 Cylinder 32 Valves	393 Nm / 290 lb ft at 4250 RPM	290 BHP / 216 kW / 294 PS at 6100 RPM	375 Nm / 276 lb ft at 4250 RPM	280 BHP / 209 kW / 284 PS at 6100 RPM	10.75 : 1 ± 0.5 : 1	86.0 mm (3.386 in)	86.0 mm (3.386 in)
4.0 liter SC Gasoline	3996 cm <sup>3</sup> (244 in <sup>3</sup> )	90° "Vee" 8 Cylinder 32 Valves	525 Nm / 387 lb ft at 3600 RPM	370 BHP / 276 kW / 375 PS at 6150 RPM	505 Nm / 372 lb ft at 3600 RPM	358 BHP / 267 kW / 363 PS at 6150 RPM	8.9 : 1 ± 0.5 : 1	86.0 mm (3.386 in)	86.0 mm (3.386 in)

Notes

Model/ Engine	Engine Capacity	Engine Description	Max. Engine Torque (DIN)	Max. Engine Power (DIN)	Max. Engine Torque (EC and SAE)	Max. Engine Power (EC and SAE)	Comp. Ratio	Bore	Stroke
<b>XJ: 2003.5 MY onwards – VIN From G00442 To Current</b>									
3.0 liter Gasoline	2967 cm <sup>3</sup> (181 in <sup>3</sup> )	60° “Vee” 6 Cylinder 24 Valves	300 Nm / 221 lb ft at 4100 RPM	240 BHP / 179 kW / 243 PS at 6800 RPM	293 Nm / 216 lb ft at 4100 RPM	235 BHP / 175 kW / 238 PS at 6800 RPM	10.5 : 1 ± 0.5 : 1	89.0 mm (3.504 in)	79.5 mm (3.130 in)
3.5 liter Gasoline	3555 cm <sup>3</sup> (216 in <sup>3</sup> )	90° “Vee” 8 Cylinder 32 Valves	345 Nm / 254 lb ft at 4200 RPM	262 BHP / 196 kW / 266 PS at 6250 RPM	335.2 Nm / 262 lb ft at 4200 RPM	255 BHP / 190 kW / 258 PS at 6250 RPM	11.0 : 1 ± 0.5 : 1	86.0 mm (3.386 in)	76.5 mm (3.011 in)
4.2 liter Gasoline	4196 cm <sup>3</sup> (256 in <sup>3</sup> )	90° “Vee” 8 Cylinder 32 Valves	420 Nm / 310 lb ft at 4100 RPM	300 BHP / 224 kW / 304 PS at 6000 RPM	410.8 Nm / 303 lb ft at 4100 RPM	293.5 BHP / 218.9 kW / 298 PS at 6000 RPM	11.0 : 1 ± 0.5 : 1	86.0 mm (3.386 in)	90.3 mm (3.555 in)
4.2 liter SC Gasoline	4196 cm <sup>3</sup> (256 in <sup>3</sup> )	90° “Vee” 8 Cylinder 32 Valves	553 Nm / 408 lb ft at 3500 RPM	400 BHP / 298 kW / 406 PS at 6100 RPM	541.4 Nm / 399 lb ft at 3500 RPM	390 BHP / 290.8 kW / 395 PS at 6100 RPM	9.1 : 1 ± 0.5 : 1	86.0 mm (3.386 in)	90.3 mm (3.555 in)

Notes

Model/ Engine	Engine Capacity	Engine Description	Max. Engine Torque (DIN)	Max. Engine Power (DIN)	Max. Engine Torque (EC and SAE)	Max. Engine Power (EC and SAE)	Comp. Ratio	Bore	Stroke
<b>XK: 1997 up to 1998.75 MY – VIN From 001246 To 024686</b>									
4.0 liter Gasoline	3996 cm <sup>3</sup> (244 in <sup>3</sup> )	90° “Vee” 8 Cylinder 32 Valves	393 Nm / 290 lb ft at 4250 RPM	290 BHP / 216 kW / 294 PS at 6100 RPM	375 Nm / 276 lb ft at 4250 RPM	280 BHP / 209 kW / 284 PS at 6100 RPM	10.75 : 1 ± 0.5 : 1	86.0 mm (3.386 in)	86.0 mm (3.386 in)
<b>XK: 1998.75 up to 2003 MY – VIN From 024687 To A30644</b>									
4.0 liter Gasoline	3996 cm <sup>3</sup> (244 in <sup>3</sup> )	90° “Vee” 8 Cylinder 32 Valves	393 Nm / 290 lb ft at 4250 RPM	290 BHP / 216 kW / 294 PS at 6100 RPM	375 Nm / 276 lb ft at 4250 RPM	280 BHP / 209 kW / 284 PS at 6100 RPM	10.75 : 1 ± 0.5 : 1	86.0 mm (3.386 in)	86.0 mm (3.386 in)
4.0 liter SC Gasoline	3996 cm <sup>3</sup> (244 in <sup>3</sup> )	90° “Vee” 8 Cylinder 32 Valves	525 Nm / 387 lb ft at 3600 RPM	370 BHP / 276 kW / 375 PS at 6150 RPM	505 Nm / 372 lb ft at 3600 RPM	358 BHP / 267 kW / 363 PS at 6150 RPM	8.9 : 1 ± 0.5 : 1	86.0 mm (3.386 in)	86.0 mm (3.386 in)
<b>XK: 2003 MY onwards – VIN From A30645 To Current</b>									
4.2 liter Gasoline	4196 cm <sup>3</sup> (256 in <sup>3</sup> )	90° “Vee” 8 Cylinder 32 Valves	420 Nm / 310 lb ft at 4100 RPM	300 BHP / 224 kW / 304 PS at 6000 RPM	410.8 Nm / 303 lb ft at 4100 RPM	293.5 BHP / 218.9 kW / 298 PS at 6000 RPM	11.0 : 1 ± 0.5 : 1	86.0 mm (3.386 in)	90.3 mm (3.555 in)
4.2 liter SC Gasoline	4196 cm <sup>3</sup> (256 in <sup>3</sup> )	90° “Vee” 8 Cylinder 32 Valves	553 Nm / 408 lb ft at 3500 RPM	400 BHP / 298 kW / 406 PS at 6100 RPM	541.4 Nm / 399 lb ft at 3500 RPM	390 BHP / 290.8 kW / 395 PS at 6100 RPM	9.1 : 1 ± 0.5 : 1	86.0 mm (3.386 in)	90.3 mm (3.555 in)

Notes



Model/ Engine	Engine Capacity	Engine Description	Max. Engine Torque (DIN)	Max. Engine Power (DIN)	Max. Engine Torque (EC and SAE)	Max. Engine Power (EC and SAE)	Comp. Ratio	Bore	Stroke
<b>S-TYPE: 1999.25 up to 2002.5 MY – VIN From L00600 To M45254</b>									
3.0 liter Gasoline	2967 cm <sup>3</sup> (181 in <sup>3</sup> )	60° “Vee” 6 Cylinder 24 Valves	300 Nm / 221 lb ft at 4500 RPM	240 BHP / 179 kW / 243 PS at 6800 RPM	293 Nm / 216 lb ft at 4500 RPM	235 BHP / 175 kW / 238 PS at 6800 RPM	10.5 : 1 ± 0.5 : 1	89.0 mm (3.504 in)	79.5 mm (3.130 in)
4.0 liter Gasoline	3996 cm <sup>3</sup> (244 in <sup>3</sup> )	90° “Vee” 8 Cylinder 32 Valves	390 Nm / 287 lb ft at 4300 RPM	281 BHP / 209 kW / 284 PS at 6100 RPM	378 Nm / 279 lb ft at 4300 RPM	272 BHP / 203 kW / 276 PS at 6100 RPM	10.75 : 1 ± 0.5 : 1	86.0 mm (3.386 in)	86.0 mm (3.386 in)

Notes

Model/ Engine	Engine Capacity	Engine Description	Max. Engine Torque (DIN)	Max. Engine Power (DIN)	Max. Engine Torque (EC and SAE)	Max. Engine Power (EC and SAE)	Comp. Ratio	Bore	Stroke
<b>S-TYPE: 2002.5 MY onwards – VIN From M45255 To Current</b>									
2.5 liter Gasoline	2497 cm <sup>3</sup> (152 in <sup>3</sup> )	60° "Vee" 6 Cylinder 24 Valves	250 Nm / 184 lb ft at 4000 RPM	201 BHP / 150 kW / 204 PS at 6800 RPM	245 Nm / 181 lb ft at 4000 RPM	197 BHP / 147 kW / 200 PS at 6800 RPM	10.3 : 1 ± 0.35 : 1	81.65 mm (3.214 in)	79.5 mm (3.129 in)
2.7 liter Diesel	2720 cm <sup>3</sup> (166 in <sup>3</sup> )	60° "Vee" 6 Cylinder 24 Valves	435 Nm / 320 lb ft at 1900 RPM	206 BHP / 153 kW / 208 PS at 4000 RPM	435 Nm / 320 lb ft at 1900 RPM	204 BHP / 152 kW / 207 PS at 4000 RPM	17.3 : 1 ± 0.5 : 1	81.0 mm (3.189 in)	88.0 mm (3.386 in)
3.0 liter Gasoline	2967 cm <sup>3</sup> (181 in <sup>3</sup> )	60° "Vee" 6 Cylinder 24 Valves	300 Nm / 221 lb ft at 4100 RPM	240 BHP / 179 kW / 243 PS at 6800 RPM	293 Nm / 216 lb ft at 4100 RPM	235 BHP / 175 kW / 238 PS at 6800 RPM	10.5 : 1 ± 0.5 : 1	89.0 mm (3.504 in)	79.5 mm (3.130 in)
4.2 liter Gasoline	4196 cm <sup>3</sup> (256 in <sup>3</sup> )	90° "Vee" 8 Cylinder 32 Valves	420 Nm / 310 lb ft at 4100 RPM	300 BHP / 224 kW / 304 PS at 6000 RPM	410.8 Nm / 303 lb ft at 4100 RPM	293.5 BHP / 218.9 kW / 298 PS at 6000 RPM	11.0 : 1 ± 0.5 : 1	86.0 mm (3.386 in)	90.3 mm (3.555 in)
4.2 liter SC Gasoline	4196 cm <sup>3</sup> (256 in <sup>3</sup> )	90° "Vee" 8 Cylinder 32 Valves	553 Nm / 408 lb ft at 3500 RPM	400 BHP / 298 kW / 406 PS at 6100 RPM	541.4 Nm / 399 lb ft at 3500 RPM	390 BHP / 290.8 kW / 395 PS at 6100 RPM	9.1 : 1 ± 0.5 : 1	86.0 mm (3.386 in)	90.3 mm (3.555 in)

Notes

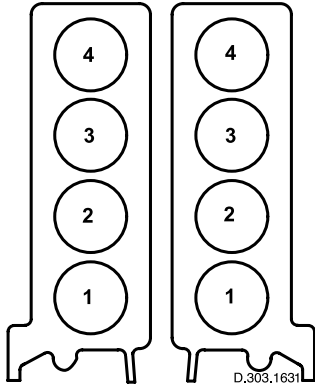
Model/ Engine	Engine Capacity	Engine Description	Max. Engine Torque (DIN)	Max. Engine Power (DIN)	Max. Engine Torque (EC and SAE)	Max. Engine Power (EC and SAE)	Comp. Ratio	Bore	Stroke
<b>X-TYPE: 2001.5 MY onwards – VIN From C00344 To Current</b>									
2.0 liter Gasoline	2099 cm <sup>3</sup> (128 in <sup>3</sup> )	60° “Vee” 6 Cylinder 24 Valves	200 Nm / 148 lb ft at 4100 RPM	157 BHP / 117 kW / 159 PS at 6800 RPM	196 Nm / 145 lb ft at 4100 RPM	154 BHP / 114.6 kW / 156 PS at 6800 RPM	10.75 : 1 ± 0.5 : 1	81.65 mm (3.214 in)	66.84 mm (2.631 in)
2.0 liter Diesel	1998 cm <sup>3</sup> (122 in <sup>3</sup> )	Inline 4 Cylinder 16 Valves	331 Nm / 244 lb ft at 1800 RPM	128 BHP / 96 kW / 129 PS at 3800 RPM	330 Nm / 243 lb ft at 1800 RPM	129 BHP / 96 kW / 130 PS at 3800 RPM	18.2 : 1 ± 0.5 : 1	86 mm (3.385 in)	86 mm (3.385 in)
2.5 liter Gasoline	2497 cm <sup>3</sup> (152 in <sup>3</sup> )	60° “Vee” 6 Cylinder 24 Valves	244 Nm / 180 lb ft at 3000 RPM	194 BHP / 145 kW / 197 PS at 6800 RPM	241 Nm / 178 lb ft at 3000 RPM	192 BHP / 143.5 kW / 196 PS at 6800 RPM	10.30 : 1 ± 0.35 : 1	81.65 mm (3.214 in)	79.5 mm (3.130 in)
3.0 liter Gasoline	2967 cm <sup>3</sup> (181 in <sup>3</sup> )	60° “Vee” 6 Cylinder 24 Valves	284 Nm / 210 lb ft at 3000 RPM	231 BHP / 172 kW / 234 PS at 6800 RPM	279.3 Nm / 206 lb ft at 3000 RPM	227 BHP / 169.4 kW / 231 PS at 6800 RPM	10.5 : 1 ± 0.5 : 1	89.0 mm (3.504 in)	79.5 mm (3.130 in)

Notes

## V8 Gasoline – Cylinder Numbering and Firing Order

Notes

V8  
up to 2002.5 MY

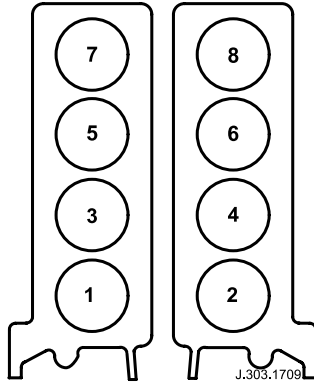


Front of Engine  
Bank 1      Bank 2

Firing Order:  
(Bank) – Cylinder

(1)-1 : (2)-1 : (1)-4 : (1)-2 : (2)-2 : (1)-3 : (2)-3 : (2)-4

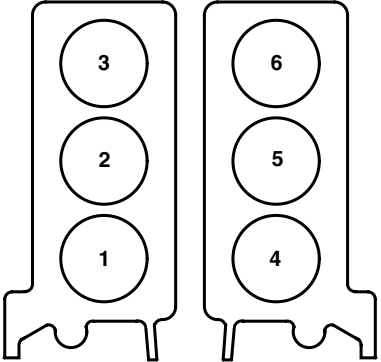
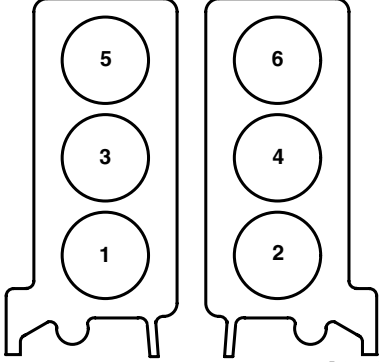
V8  
2002.5 MY onwards



Front of Engine  
Bank 1      Bank 2

Firing Order:

1 : 2 : 7 : 3 : 4 : 5 : 6 : 8

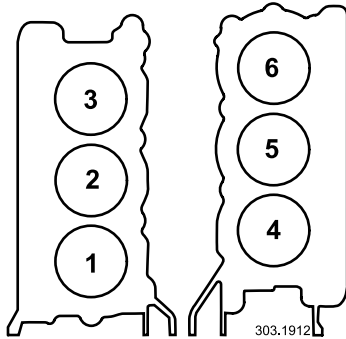
V6 Gasoline – Cylinder Numbering and Firing Order	
<p>V6 S-TYPE up to 2002.5 MY</p>	<p>V6 X-TYPE 2001.5 MY onwards S-TYPE 2002.5 MY onwards XJ 2003.5 MY onwards</p>
 <p style="text-align: right; font-size: small;">D.303.1630</p>	 <p style="text-align: right; font-size: small;">D.303.1629</p>
<p>Front of Engine Bank 1                      Bank 2</p> <p>Firing Order: 1 : 4 : 2 : 5 : 3 : 6</p>	<p>Front of Engine Bank 1                      Bank 2</p> <p>Firing Order: 1 : 2 : 3 : 4 : 5 : 6</p>

Notes

Notes

## V6 Diesel – Cylinder Numbering and Firing Order

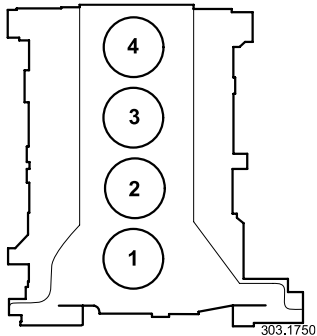
V6  
S-TYPE 2004.75 MY onwards



Front of Engine  
Bank 1                      Bank 2  
Firing Order:  
1 : 4 : 2 : 5 : 3 : 6

## 2.0 Liter Diesel – Cylinder Numbering and Firing Order

X-TYPE  
2004.25 MY onwards



Front of Engine

Firing Order  
1 – 3 – 4 – 2

Notes

Engine	Valve Clearances (cold)	
	Intake	Exhaust
V8 Gasoline	0.18 – 0.22 mm	0.23 – 0.27 mm
V6 Gasoline	0.175 – 0.225 mm	0.325 – 0.375 mm
2.7 V6 Diesel	No adjustment necessary	
2.0 Liter Diesel	No adjustment necessary	

Notes



VIN		Engine	Market	Spark Plug Part Number	Spark Plug Gap mm (inches)	Engine Type
From	To					
<b>XJ: 1998 MY</b>						
812317	853935	3.2 liter	ROW	NCA385OFA 1	1.2 – 1.3 (0.047 – 0.051)	AJ26 V8
		4.0 liter	NAS	NCA385OHA 1	1.2 – 1.3 (0.047 – 0.051)	
			ROW	NCA385OFA 1		
		4.0 liter SC	All	NCA385OHA 2	1.2 – 1.3 (0.047 – 0.051)	
All	Leaded	NCA385OCA (service fit only)	1.0 – 1.1 (0.039 – 0.043)			
<b>XJ: 1999 up to 2003.5 MY</b>						
853936	F59525	3.2 liter	ROW	AJ8 4575 (iridium)	0.9 – 1.0 (0.035 – 0.039)	AJ27 V8
		4.0 liter	All	AJ8 4575 (iridium)	0.9 – 1.0 (0.035 – 0.039)	
		4.0 liter SC	All	NCA3850HA 2 up to 2000 MY	1.2 – 1.3 (0.047 – 0.051)	AJ26.5 V8
				AJ8 4575 (iridium) from 2000 MY	0.9 – 1.0 (0.035 – 0.039)	AJ27 V8
All	Leaded	XR8 15350 (service fit only) *	1.0 – 1.1 (0.039 – 0.043)	–		
<b>XJ: 2003.5 MY onwards</b>						
G00442	Current	3.0 liter	All	XR8 42795	1.32 – 1.42 (0.051 – 0.056)	V6
		3.5 liter	All	AJ8 4575 (iridium)	0.9 – 1.0 (0.035 – 0.039)	AJ33 V8
		4.2 liter	All	AJ8 4575 (iridium)	0.9 – 1.0 (0.035 – 0.039)	
		4.2 liter SC	All	AJ8 4575 (iridium)	0.9 – 1.0 (0.035 – 0.039)	

**Note:** \* Not applicable with the introduction of “iridium” spark plugs.

**Notes**

VIN		Engine	Market	Spark Plug Part Number	Spark Plug Gap mm (inches)	Engine Type
From	To					
<b>XK: 1997 up to 1998 MY</b>						
001246	018107	4.0 liter	NAS	NCA385OHA 1	1.2 – 1.3 (0.047 – 0.051)	AJ26 V8
			ROW	NCA385ODA 2	1.0 – 1.1 (0.039 – 0.043)	
			Leaded	NCA385OCA (service fit only)		
<b>XK: 1998 and 1999 MY</b>						
018108	A00115	4.0 liter	NAS	NCA385OHA 1 up to 1999 MY	1.2 – 1.3 (0.047 – 0.051)	AJ26 V8
				AJ8 4575 (iridium) from 1999 MY	0.9 – 1.0 (0.035 – 0.039)	AJ27 V8
			ROW	NCA385OFA 1 up to 1999 MY	1.2 – 1.3 (0.047 – 0.051)	AJ26 V8
				AJ8 4575 (iridium) from 1999 MY	0.9 – 1.0 (0.035 – 0.039)	AJ27 V8
		4.0 liter SC **	All	NCA385OHA 2	1.2 – 1.3 (0.047 – 0.051)	AJ26 V8 and AJ26.5 V8
All	Leaded	NCA385OCA (service fit only)	1.0 – 1.1 (0.039 – 0.043)	–		
<b>XK: 2000 up to 2003 MY</b>						
A00116	A30644	4.0 liter	All	AJ8 4575 (iridium)	0.9 – 1.0 (0.035 – 0.039)	AJ27 V8
		4.0 liter SC	All	AJ8 4575 (iridium)	0.9 – 1.0 (0.035 – 0.039)	
		All	Leaded	XR8 15350 (service fit only) *	1.0 – 1.1 (0.039 – 0.043)	–
<b>XK: 2003 MY onwards</b>						
A30645	Current	4.2 liter	All	AJ8 4575 (iridium)	0.9 – 1.0 (0.035 – 0.039)	AJ33 V8
		4.2 liter SC	All	AJ8 4575 (iridium)	0.9 – 1.0 (0.035 – 0.039)	

**Note:** \* Not applicable with the introduction of “iridium” spark plugs.

**Note:** \*\* SC engine introduced at VIN 024687.

VIN		Engine	Market	Spark Plug Part Number	Spark Plug Gap mm (inches)	Engine Type
From	To					
<b>S-TYPE: 1999.25 up to 2002.5 MY</b>						
L00600	M45254	3.0 liter	All	XR8 42795	1.32 – 1.42 (0.051 – 0.056)	V6
			Leaded	XR8 15349 (service fit only)	1.0 – 1.1 (0.039 – 0.043)	
		4.0 liter	All	AJ8 4575 (iridium)	0.9 – 1.0 (0.035 – 0.039)	AJ28 V8
			Leaded	XR8 15350 (service fit only) *	1.0 – 1.1 (0.039 – 0.043)	
<b>S-TYPE: 2002.5 MY onwards</b>						
M45255	Current	2.5 liter	All	XR8 42795	1.32 – 1.42 (0.051 – 0.056)	V6
		3.0 liter	All	XR8 42795	1.32 – 1.42 (0.051 – 0.056)	V6
		4.2 liter	All	AJ8 4575 (iridium)	0.9 – 1.0 (0.035 – 0.039)	AJ33 V8
		4.2 liter SC	All	AJ8 4575 (iridium)	0.9 – 1.0 (0.035 – 0.039)	

**Note:** \* Not applicable with the introduction of “iridium” spark plugs.

**Notes**

VIN		Engine	Market	Spark Plug Part Number	Spark Plug Gap mm (inches)	Engine Type
From	To					
<b>X-TYPE: 2001.5 MY onwards</b>						
C00344	Current	2.0 liter	All	XR8 42795	1.32 – 1.42 (0.051 – 0.056)	V6
		2.5 liter	All	XR8 42795	1.32 – 1.42 (0.051 – 0.056)	V6
		3.0 liter	All	XR8 42795	1.32 – 1.42 (0.051 – 0.056)	V6

**Notes**

Model/Engine	Market	Oil Specification	Engine Oil Capacity (service oil fill and filter change) Liters (US Quarts)		VIN	
			oil cooler	non oil cooler	From	To
<b>XJ: 1998 up to 2000 MY</b>						
3.2 liter Gasoline	ROW	API SJ and ACEA A2	–	6.0 (6.4)	812317	878717
4.0 liter Gasoline	NAS	API SJ and ILSAC GF-2 or API SL and ILSAC GF-3	–	6.0 (6.4)		
	ROW	API SJ and ACEA A2				
4.0 liter SC Gasoline	NAS	API SJ and ILSAC GF-2 or API SL and ILSAC GF-3	6.0 (6.4)	–		
	ROW	API SJ and ACEA A3				

**Note:** Refer to the end of this section for important information.

Notes

Model/Engine	Market	Oil Specification	Engine Oil Capacity (service oil fill and filter change) Liters (US Quarts)		VIN	
			oil cooler	non oil cooler	From	To
<b>XJ: 2000 MY</b>						
3.2 liter Gasoline	ROW	API SJ / EC and ACEA A1 or A3 Jaguar WSS–M2C913–B preferred	–	6.0 (6.4)	F00103	F00463
				7.0 (7.4)	F00464	F20644
4.0 liter Gasoline	NAS	API SJ / EC and ILSAC GF–2 or API SL and ILSAC GF–3	–	6.0 (6.4)	F00103	F00463
				7.0 (7.4)	F00464	F20644
	ROW	API SJ / EC and ACEA A1 or A3 Jaguar WSS–M2C913–B preferred	–	6.0 (6.4)	F00103	F00463
				7.0 (7.4)	F00464	F20644
4.0 liter SC Gasoline	NAS	API SJ / EC and ILSAC GF–2 or API SL and ILSAC GF–3	6.0 (6.4)	–	F00103	F00463
			7.0 (7.4)	–	F00464	F20644
	ROW	API SJ / EC and ACEA A1 or A3 Jaguar WSS–M2C913–B preferred	6.0 (6.4)	–	F00103	F00463
			7.0 (7.4)	–	F00464	F20644

**Note:** Refer to the end of this section for important information.

**Notes**

Model/Engine	Market	Oil Specification	Engine Oil Capacity (service oil fill and filter change) Liters (US Quarts)		VIN	
			oil cooler	non oil cooler	From	To
<b>XJ: 2001 MY</b>						
3.2 liter Gasoline	ROW	API SJ / EC and ACEA A1 or A3 Jaguar WSS-M2C913-B preferred	-	7.0 (7.4)	F20645	F41862
4.0 liter Gasoline	NAS	API SJ / EC and ILSAC GF-2 or API SL and ILSAC GF-3	-	7.0 (7.4)		
	ROW	API SJ / EC and ACEA A1 or A3 Jaguar WSS-M2C913-B preferred				
4.0 liter SC Gasoline	NAS	API SJ / EC and ILSAC GF-2 or API SL and ILSAC GF-3	7.0 (7.4)	-		
	ROW	API SJ / EC and ACEA A1 or A3 Jaguar WSS-M2C913-B preferred				

**Note:** Refer to the end of this section for important information.

Notes

Model/Engine	Market	Oil Specification	Engine Oil Capacity (service oil fill and filter change) Liters (US Quarts)		VIN	
			oil cooler	non oil cooler	From	To
<b>XJ: 2002 up to 2003.5 MY</b>						
3.2 liter Gasoline	ROW	API SJ / EC and ACEA A1 or A3 Jaguar WSS–M2C913–B preferred	–	7.0 (7.4)	F41863	F59525
4.0 liter Gasoline	NAS	API SL and ILSAC GF–3	–	7.0 (7.4)		
	ROW	API SJ / EC and ACEA A1 or A3 Jaguar WSS–M2C913–B preferred				
4.0 liter SC Gasoline	NAS	API SL and ILSAC GF–3	7.0 (7.4)	–		
	ROW	API SJ / EC and ACEA A1 or A3 Jaguar WSS–M2C913–B preferred				

**Note:** Refer to the end of this section for important information.

Notes



Model/Engine	Market	Oil Specification	Engine Oil Capacity (service oil fill and filter change) Liters (US Quarts)		VIN	
			oil cooler	non oil cooler	From	To
<b>XJ: 2003.5 MY onwards</b>						
3.0 liter Gasoline	NAS	API SL and ILSAC GF-3	6.5 (6.9)	-	G00442	Current
	ROW	API SJ / EC and ACEA A1 or A3 Jaguar WSS-M2C913-B preferred				
3.5 liter Gasoline	NAS	API SL and ILSAC GF-3	6.0 (6.4)	-		
	ROW	API SJ / EC and ACEA A1 or A3 Jaguar WSS-M2C913-B preferred				
4.2 liter Gasoline	NAS	API SL and ILSAC GF-3	6.0 (6.4)	-		
	ROW	API SJ / EC and ACEA A1 or A3 Jaguar WSS-M2C913-B preferred				
4.2 liter SC Gasoline	NAS	API SL and ILSAC GF-3	6.0 (6.4)	-		
	ROW	API SJ / EC and ACEA A1 or A3 Jaguar WSS-M2C913-B preferred				

**Note:** Refer to the end of this section for important information.

**Notes**

Jaguar recommends 

Model/Engine	Market	Oil Specification	Engine Oil Capacity (service oil fill and filter change) Liters (US Quarts)		VIN	
			oil cooler	non oil cooler	From	To
<b>XK: 1997 MY</b>						
4.0 liter Gasoline	NAS	API SJ and ILSAC GF-2 or API SL and ILSAC GF-3	6.0 (6.4)	-	001246	018107
	ROW	API SJ and ACEA A2				
<b>XK: 1998 MY</b>						
4.0 liter Gasoline	NAS	API SJ and ILSAC GF-2 or API SL and ILSAC GF-3	-	6.0 (6.4)	018108	024686
	ROW	API SJ and ACEA A2				
<b>XK: 1998.75 MY</b>						
4.0 liter Gasoline	NAS	API SJ and ILSAC GF-2 or API SL and ILSAC GF-3	-	6.0 (6.4)	024687	031302
	ROW	API SJ and ACEA A2				
4.0 liter SC Gasoline	ROW	API SJ and ACEA A3	6.0 (6.4)	-		

**Note:** Refer to the end of this section for important information.

Notes

Model/Engine	Market	Oil Specification	Engine Oil Capacity (service oil fill and filter change) Liters (US Quarts)		VIN	
			oil cooler	non oil cooler	From	To
<b>XK: 1999 MY</b>						
4.0 liter Gasoline	NAS	API SJ / EC and ILSAC GF-2 or API SL and ILSAC GF-3	-	6.0 (6.4)	031303	042775
	ROW	API SJ / EC and ACEA A1 or A3 Jaguar WSS-M2C913-B preferred				
4.0 liter SC Gasoline	NAS	API SJ / EC and ILSAC GF-2 or API SL and ILSAC GF-3	6.0 (6.4)	-		
	ROW	API SJ / EC and ACEA A1 or A3 Jaguar WSS-M2C913-B preferred				

**Note:** Refer to the end of this section for important information.

Notes

Model/Engine	Market	Oil Specification	Engine Oil Capacity (service oil fill and filter change) Liters (US Quarts)		VIN	
			oil cooler	non oil cooler	From	To
<b>XK: 2000 MY</b>						
4.0 liter Gasoline	NAS	API SJ / EC and ILSAC GF-2 or API SL and ILSAC GF-3	-	6.0 (6.4)	A00116	A00366
				7.0 (7.4)	A00367	A11139
	ROW	API SJ / EC and ACEA A1 or A3 Jaguar WSS-M2C913-B preferred	-	6.0 (6.4)	A00116	A00366
				7.0 (7.4)	A00367	A11139
4.0 liter SC Gasoline	NAS	API SJ / EC and ILSAC GF-2 or API SL and ILSAC GF-3	6.0 (6.4)	-	A00116	A00366
			7.0 (7.4)	-	A00367	A11139
	ROW	API SJ / EC and ACEA A1 or A3 Jaguar WSS-M2C913-B preferred	6.0 (6.4)	-	A00116	A00366
			7.0 (7.4)	-	A00367	A11139
<b>XK: 2001 MY</b>						
4.0 liter Gasoline	NAS	API SL and ILSAC GF-3	-	7.0 (7.4)	A11140	A24195
	ROW	API SJ / EC and ACEA A1 or A3 Jaguar WSS-M2C913-B preferred				
4.0 liter SC Gasoline	NAS	API SL and ILSAC GF-3	7.0 (7.4)	-		
	ROW	API SJ / EC and ACEA A1 or A3 Jaguar WSS-M2C913-B preferred				

**Note:** Refer to the end of this section for important information.

Model/Engine	Market	Oil Specification	Engine Oil Capacity (service oil fill and filter change) Liters (US Quarts)		VIN	
			oil cooler	non oil cooler	From	To
<b>XK: 2002 up to 2003 MY</b>						
4.0 liter Gasoline	NAS	API SL and ILSAC GF-3	7.0 (7.4)	-	A24196	A30644
	ROW	API SJ / EC and ACEA A1 or A3 Jaguar WSS-M2C913-B preferred				
4.0 liter SC Gasoline	NAS	API SL and ILSAC GF-3	7.0 (7.4)	-		
	ROW	API SJ / EC and ACEA A1 or A3 Jaguar WSS-M2C913-B preferred				
<b>XK: 2003 MY onwards</b>						
4.2 liter Gasoline	NAS	API SL and ILSAC GF-3	7.0 (7.4)	-	A30645	Current
	ROW	API SJ / EC and ACEA A1 or A3 Jaguar WSS-M2C913-B preferred				
4.2 liter SC Gasoline	NAS	API SL and ILSAC GF-3	7.0 (7.4)	-		
	ROW	API SJ / EC and ACEA A1 or A3 Jaguar WSS-M2C913-B preferred				

**Note:** Refer to the end of this section for important information.

Notes

Model/Engine	Market	Oil Specification	Engine Oil Capacity (service oil fill and filter change) Liters (US Quarts)		VIN	
			oil cooler	non oil cooler	From	To
<b>S-TYPE: 1999.25 MY</b>						
3.0 liter Gasoline	NAS	API SJ / EC and ILSAC GF-2 or API SL and ILSAC GF-3	5.7 (6.0)	-	L00600	L31320
	ROW	API SJ / EC and ACEA A1 or A3 Jaguar WSS-M2C913-B preferred				
4.0 liter Gasoline	NAS	API SJ / EC and ILSAC GF-2 or API SL and ILSAC GF-3	6.0 (6.4)	-		
	ROW	API SJ / EC and ACEA A1 or A3 Jaguar WSS-M2C913-B preferred				

**Note:** Refer to the end of this section for important information.

Notes

Model/Engine	Market	Oil Specification	Engine Oil Capacity (service oil fill and filter change) Liters (US Quarts)		VIN	
			oil cooler	non oil cooler	From	To
<b>S-TYPE: 2000 up to 2002.5 MY</b>						
3.0 liter Gasoline	NAS	API SL and ILSAC GF-3	5.7 (6.0)	–	L31321	L37177
			6.5 (6.9)	–	L37178*	M45254
	ROW	API SJ / EC and ACEA A1 or A3 Jaguar WSS-M2C913-B preferred	5.7 (6.0)	–	L31321	L37177
			6.5 (6.9)	–	L37178*	M45254
4.0 liter Gasoline	NAS	API SL and ILSAC GF-3	6.0 (6.4)	–	L31321	M45254
	ROW	API SJ / EC and ACEA A1 or A3 Jaguar WSS-M2C913-B preferred				

**Note:** To signify the oil capacity change to S-TYPE V6 engines during 2000 MY, a new style oil-level gauge was introduced. The new style gauge can be recognized by a loop handle opposed to the old T-bar design. The oil fill mark on the oil-level gauge was also altered by 14 mm. The change was implemented at approximate VIN\*.

**Note:** Refer to the end of this section for important information.

Notes

Model/Engine	Market	Oil Specification	Engine Oil Capacity (service oil fill and filter change) Liters (US Quarts)		VIN	
			oil cooler	non oil cooler	From	To
<b>S-TYPE: 2002.5 MY onwards</b>						
2.5 liter Gasoline	NAS	API SL and ILSAC GF-3	6.5 (6.9)	-	M45255	Current
	ROW	API SJ / EC and ACEA A1 or A3 Jaguar WSS-M2C913-B preferred				
2.7 liter Diesel	EUR	5W-30 meeting Jaguar WSS-M2C913-B only	6.6 (7.0)	-		
3.0 liter Gasoline	NAS	API SL and ILSAC GF-3	6.5 (6.9)	6.5 (6.9)		
	ROW	API SJ / EC and ACEA A1 or A3 Jaguar WSS-M2C913-B preferred	6.5 (6.9)	-		
4.2 liter Gasoline	NAS	API SL and ILSAC GF-3	6.0 (6.4)	-		
	ROW	API SJ / EC and ACEA A1 or A3 Jaguar WSS-M2C913-B preferred				
4.2 liter SC Gasoline	NAS	API SL and ILSAC GF-3	6.0 (6.4)	-		
	ROW	API SJ / EC and ACEA A1 or A3 Jaguar WSS-M2C913-B preferred				

**Note:** Refer to the end of this section for important information.

Notes



Model/Engine	Market	Oil Specification	Engine Oil Capacity (service oil fill and filter change) Liters (US Quarts)		VIN	
			oil cooler	non oil cooler	From	To
<b>X-TYPE: 2001.5 MY onwards</b>						
2.0 liter Gasoline	NAS	API SL and ILSAC GF-3	5.8 (6.1)	-	C00344	Current
	ROW	API SJ / EC and ACEA A1 or A3 Jaguar WSS-M2C913-B preferred				
2.0 liter Diesel	EUR	5W-30 meeting Jaguar WSS-M2C913-B only	6.2 (6.5)	-		
2.5 liter Gasoline	NAS	API SL and ILSAC GF-3	5.8 (6.1)	-		
	ROW	API SJ / EC and ACEA A1 or A3 Jaguar WSS-M2C913-B preferred				
3.0 liter Gasoline	NAS	API SL and ILSAC GF-3	5.8 (6.1)	-		
	ROW	API SJ / EC and ACEA A1 or A3 Jaguar WSS-M2C913-B preferred				

**Caution:** The use of supplementary oil or fuel additives is not approved unless specified by Jaguar Cars in the form of a service communication or directive.

**SAE Viscosity Rating:** For climates ranging from -30°C (-22°F) and +50°C (+122°F), the following oil viscosities may be used:

0W-30                      5W-30 (preferred)

0W-40                      5W-40

**Notes**

Jaguar recommends 

VIN		Engine	Market	Final Drive Ratio	<u>Notes</u>
From	To				
<b>XJ: 1998 up to 2003.5 MY</b>					
812317	F59525	3.2 liter Gasoline	ROW	3.27 : 1	
		4.0 liter Gasoline	NAS	3.06 : 1	
			ROW		
			Mexico	3.27 : 1	
4.0 liter SC Gasoline	NAS	3.06 : 1			
	ROW				
<b>XJ: 2003.5 MY onwards</b>					
G00442	Current	3.0 liter Gasoline	NAS	3.31 : 1	
			ROW		
		3.5 liter Gasoline	NAS	3.07 : 1	
			ROW		
		4.0 liter Gasoline	NAS	2.87 : 1	
			ROW		
		4.0 liter SC Gasoline	NAS	2.87 : 1	
			ROW		

VIN		Engine	Market	Final Drive Ratio	<u>Notes</u>
From	To				
<b>XK: 1997 up to 2003 MY</b>					
001246	A30644	4.0 liter Gasoline	NAS	3.06 : 1	
			ROW		
			Mexico	3.27 : 1	
		4.0 liter SC Gasoline	NAS	3.06 : 1	
ROW					
<b>XK: 2003 MY onwards</b>					
A30645	Current	4.2 liter Gasoline	NAS	3.06 : 1	
			ROW		
		4.2 liter SC Gasoline	NAS	3.06 : 1	
			ROW		

VIN		Engine	Market	Final Drive Ratio	<u>Notes</u>
From	To				
<b>S-TYPE: 1999.25 MY</b>					
L00600	L31320	3.0 liter – manual Gasoline	NAS	3.07 : 1	
			ROW		
		3.0 liter – automatic Gasoline	NAS	3.31 : 1	
			ROW		
		4.0 liter – automatic Gasoline	NAS	3.31 : 1	
			ROW		
<b>S-TYPE: 2000 up to 2002.5 MY</b>					
L31321	M45254	3.0 liter – manual Gasoline	NAS	3.07 : 1	
			ROW		
		3.0 liter – automatic Gasoline	NAS	3.31 : 1	
			ROW		
			Mexico	3.58 : 1	
		4.0 liter – automatic Gasoline	NAS	3.31 : 1	
ROW					

VIN		Engine	Market	Final Drive Ratio	Notes
From	To				
<b>S-TYPE: 2002.5 MY onwards</b>					
M45255	Current	2.5 liter – manual Gasoline	NAS	3.07 : 1	
			ROW		
		2.5 liter – automatic Gasoline	NAS	3.31 : 1	
			ROW		
		2.7 liter – manual Diesel	EUR	2.69 : 1	
		2.7 liter – automatic Diesel	EUR	3.07 : 1	
		3.0 liter – manual Gasoline	NAS	3.07 : 1	
			ROW		
		3.0 liter – automatic Gasoline	NAS	3.31 : 1	
			ROW		
		4.2 liter – automatic Gasoline	NAS	2.87 : 1	
			ROW		
4.2 liter SC automatic Gasoline	NAS	2.87 : 1			
	ROW				

VIN		Engine	Market	Final Drive Ratio	<u>Notes</u>
From	To				
<b>X-TYPE: 2001.5 MY onwards</b>					
C00344	Current	2.5 liter Gasoline	NAS	2.53 : 1	
			ROW		
		3.0 liter Gasoline	NAS	2.53 : 1	
			ROW		

VIN		Engine	Transmission			Differential		
From	To		Lubricant	Part No	Capacity Liters (US Quarts)	Lubricant	Part No	Capacity Liters (US Quarts)
<b>XJ: 1998 MY up to 2003.5 MY</b>								
812317	F59525	3.2 liter Auto	Esso LT 71141	JLM 20237	10.0 (10.6)	Shell Spirax Super TS90	JLM 20255	1.9 (2.0)
		4.0 liter Auto	Esso LT 71141	JLM 20237	10.0 (10.6)	Shell Spirax Super TS90	JLM 20255	1.9 (2.0)
		4.0 liter SC Auto	Shell ATF 3403 M115	JLM 20292	9.5 (10.0)	Shell Spirax Super TS90	JLM 20255	1.9 (2.0)
<b>XJ: 2003.5 MY onwards</b>								
G00442	Current	3.0 liter Auto	Shell M1375.4	C2C 8432	9.5 (10.0)	M2C 192A Synthetic	JLM 20771	1.25 (1.32)
		3.5 liter Auto	Shell M1375.4	C2C 8432	9.5 (10.0)	M2C 192A Synthetic	JLM 20771	1.25 (1.32)
		4.2 liter Auto	Shell M1375.4	C2C 8432	9.5 (10.0)	M2C 192A Synthetic	JLM 20771	1.25 (1.32)
		4.2 liter SC Auto	Shell M1375.4	C2C 8432	10.05 (10.6)	M2C 192A Synthetic	JLM 20771	1.25 (1.32)

**Note:** Capacity figures quoted are maximum fill.

**Notes**

VIN		Engine	Transmission			Differential		
From	To		Lubricant	Part No	Capacity Liters (US Quarts)	Lubricant	Part No	Capacity Liters (US Quarts)
<b>XK: 1997 up to 1998.75 MY</b>								
001246	024686	4.0 liter Auto	Esso LT 71141	JLM 20237	10.0 (10.6)	Shell Spirax Super TS90	JLM 20255	1.9 (2.0)
<b>XK: 1998.75 up to 2003 MY</b>								
024687	A30644	4.0 liter Auto	Esso LT 71141	JLM 20237	10.0 (10.6)	Shell Spirax Super TS90	JLM 20255	1.9 (2.0)
		4.0 liter SC Auto	Shell ATF 3403 M115	JLM 20292	9.5 (10.0)	Shell Spirax Super TS90	JLM 20255	1.9 (2.0)
<b>XK: 2003 MY onwards</b>								
A30645	Current	4.2 liter Auto	Shell M1375.4	C2C 8432	9.5 (10.0)	Shell Spirax Super TS90	JLM 20255	1.9 (2.0)
		4.2 liter SC Auto	Shell M1375.4	C2C 8432	10.05 (10.6)	Shell Spirax Super TS90	JLM 20255	1.9 (2.0)

**Note:** Capacity figures quoted are maximum fill.

**Notes**



VIN		Engine	Transmission			Differential		
From	To		Lubricant	Part No	Capacity Liters (US Quarts)	Lubricant	Part No	Capacity Liters (US Quarts)
<b>S-TYPE: 1999.25 up to 2002.5 MY</b>								
L00600	M45254	3.0 liter Man	Esso D21065	JLM 20937	1.1 (1.2)	M2C 192A Synthetic	JLM 20771	1.5 (1.6)
		3.0 liter Auto	MERCON™ V XT-5-QM	JLM 21044	9.0 (9.5)	M2C 192A Synthetic	JLM 20771	1.5 (1.6)
		4.0 liter Auto	MERCON™ V XT-5-QM	JLM 21044	9.0 (9.5)	M2C 192A Synthetic	JLM 20771	1.5 (1.6)
<b>S-TYPE: 2002.5 MY onwards</b>								
M45255	Current	2.5 liter Man	Esso LT 71141	JLM 20237	1.1 (1.2)	M2C 192A Synthetic	JLM 20771	1.25 (1.32)
		2.5 liter Auto	Shell M1375.4	C2C 8432	9.5 (10.0)	M2C 192A Synthetic	JLM 20771	1.25 (1.32)
		2.7 liter Man Diesel	Burmah Castrol BOT 338	XR8 50056 XR8 50057	1.6 (1.7)	M2C 192A Synthetic	JLM 20771	1.25 (1.32)
		2.7 liter Auto Diesel	Shell M1375.4	C2C 8432	8.25 (8.7)	M2C 192A Synthetic	JLM 20771	1.25 (1.32)
		3.0 liter Man	Esso LT 71141	JLM 20237	1.1 (1.2)	M2C 192A Synthetic	JLM 20771	1.25 (1.32)
		3.0 liter Auto	Shell M1375.4	C2C 8432	9.5 (10.0)	M2C 192A Synthetic	JLM 20771	1.25 (1.32)
		4.2 liter Auto	Shell M1375.4	C2C 8432	9.5 (10.0)	M2C 192A Synthetic	JLM 20771	1.25 (1.32)
		4.2 liter SC Auto	Shell M1375.4	C2C 8432	10.05 (10.6)	M2C 192A Synthetic	JLM 20771	1.25 (1.32)

**Note:** Capacity figures quoted are maximum fill.

#### Notes

VIN		Engine	Transmission			Differential		
From	To		Lubricant	Part No	Capacity Liters (US Quarts)	Lubricant	Part No	Capacity Liters (US Quarts)
<b>X-TYPE: 2001.5 MY onwards</b>								
C00344	Current	2.0 liter Gasoline Man	Castrol BOT 130M	C2S 19889	1.9 (2.0)	–	–	–
		2.0 liter Gasoline Auto	ATF IDEMITSU K17 (Jatco 3100 PL085)	C2S 12120	8.8 (9.3)	–	–	–
		2.0 liter Diesel Man	Castrol BOT 130M	C2S 19889	1.9 (2.0)	–	–	–
		2.5 liter Man	Castrol BOT 130M	C2S 19889	1.75 (1.8)	M2C 192A Synthetic	JLM 20771	1.15 (1.2)
		2.5 liter Auto	ATF IDEMITSU K17 (Jatco 3100 PL085)	C2S 12120	8.8 (9.3)	M2C 192A Synthetic	JLM 20771	1.15 (1.2)
		3.0 liter Man	Castrol BOT 130M	C2S 19889	1.75 (1.8)	M2C 192A Synthetic	JLM 20771	1.15 (1.2)
		3.0 liter Auto	ATF IDEMITSU K17 (Jatco 3100 PL085)	C2S 12120	8.8 (9.3)	M2C 192A Synthetic	JLM 20771	1.15 (1.2)
		<b>Transfer Case</b>						
	2.5 and 3.0 liter	M2C 192A Synthetic	JLM 20771	0.6 (0.6)				

**Note:** Capacity figures quoted are maximum fill.

**Notes**

Model/Engine	VIN		Market	Coolant Specification	Part Number	Coolant Capacities 50% water + 50% coolant Liters (US Quarts)	Notes
	From	To					
<b>XJ: 1998 MY</b>							
3.2 liter	812317	853935	All	DOW D542	JLM 20404/*	10.0 (10.6)	
4.0 liter			All	DOW D542	JLM 20404/*	10.0 (10.6)	
4.0 liter SC			All	DOW D542	JLM 20404/*	12.0 (12.7)	
<b>XJ: 1999 MY</b>							
3.2 liter	853936	878273	All	DOW D542	JLM 20404/*	10.0 (10.6)	
	878274	878717	All	WSS M97B44-D	JLM 20972/*		
4.0 liter	853936	878273	All	DOW D542	JLM 20404/*	10.0 (10.6)	
	878274	878717	All	WSS M97B44-D	JLM 20972/*		
4.0 liter SC	853936	878273	All	DOW D542	JLM 20404/*	12.0 (12.7)	
	878274	878717	All	WSS M97B44-D	JLM 20972/*		
<b>XJ: 2000 up to 2003.5 MY</b>							
3.2 liter	F00103	F59525	All	WSS M97B44-D	JLM 20972/*	10.0 (10.6)	
4.0 liter			All	WSS M97B44-D	JLM 20972/*	10.0 (10.6)	
4.0 liter SC			All	WSS M97B44-D	JLM 20972/*	12.0 (12.7)	

**Note:** \* denotes container quantity when substituted with a number.

**Caution:** Coolant JLM 20972 is of the organic acid technology (OAT) type and must not be mixed with other types of coolant.

Model/Engine	VIN		Market	Coolant Specification	Part Number	Coolant Capacities 50% water + 50% coolant Liters (US Quarts)	<u>Notes</u>
	From	To					
<b>Xj: 2003.5 MY onwards</b>							
3.0 liter – 2 Zone	G00442	Current	All	WSS M97B44–D	JLM 20972/*	10.25 (10.83) approx.	
3.0 liter – 4 Zone			All	WSS M97B44–D	JLM 20972/*	11.05 (11.67) approx.	
3.5 liter – 2 Zone			All	WSS M97B44–D	JLM 20972/*	9.45 (9.98) approx.	
3.5 liter – 4 Zone			All	WSS M97B44–D	JLM 20972/*	10.25 (10.83) approx.	
4.2 liter – 2 Zone			All	WSS M97B44–D	JLM 20972/*	9.45 (9.98) approx.	
4.2 liter – 4 Zone			All	WSS M97B44–D	JLM 20972/*	10.25 (10.83) approx.	
4.2 liter SC – 2 Zone			All	WSS M97B44–D	JLM 20972/*	12.35 (13.05) approx.	
4.2 liter SC – 4 Zone			All	WSS M97B44–D	JLM 20972/*	13.15 (13.89) approx.	

**Note:** \* denotes container quantity when substituted with a number.

**Caution:** Coolant JLM 20972 is of the organic acid technology (OAT) type and must not be mixed with other types of coolant.

Model/Engine	VIN		Market	Coolant Specification	Part Number	Coolant Capacities 50% water + 50% coolant Liters (US Quarts)	Notes
	From	To					
<b>XK: 1997 up to 1998.75 MY</b>							
4.0 liter	001246	024686	All	DOW D542	JLM 20404/*	9.5 (10.0)	
<b>XK: 1998.75 up to 2000 MY</b>							
4.0 liter	024687	042634	All	DOW D542	JLM 20404/*	9.5 (10.0)	
	042635	042775	All	WSS M97B44-D	JLM 20972/*		
4.0 liter SC	024687	042634	All	DOW D542	JLM 20404/*	11.5 (12.1)	
	042635	042775	All	WSS M97B44-D	JLM 20972/*		
<b>XK: 2000 up to 2003 MY</b>							
4.0 liter	A00116	A30644	All	WSS M97B44-D	JLM 20972/*	9.5 (10.0)	
4.0 liter SC			All	WSS M97B44-D	JLM 20972/*	11.5 (12.1)	
<b>XK: 2003 MY onwards</b>							
4.2 liter	A30645	Current	All	WSS M97B44-D	JLM 20972/*	9.5 (10.0)	
4.2 liter SC			All	WSS M97B44-D	JLM 20972/*	11.5 (12.1)	

**Note:** \* denotes container quantity when substituted with a number.

**Caution:** Coolant JLM 20972 is of the organic acid technology (OAT) type and must not be mixed with other types of coolant.

Model/Engine	VIN		Market	Coolant Specification	Part Number	Coolant Capacities 50% water + 50% coolant Liters (US Quarts)	<u>Notes</u>
	From	To					
<b>S-TYPE: 1999.25 up to 2002.5 MY</b>							
3.0 liter	L00600	M45254	All	WSS M97B44-D	JLM 20972/*	10.4 (11.0)	
4.0 liter			All	WSS M97B44-D	JLM 20972/*	10.0 (10.6)	
<b>S-TYPE: 2002.5 MY onwards</b>							
2.5 liter	M45255	Current	All	WSS M97B44-D	JLM 20972/*	9.4 (9.9)	
2.7 liter diesel			EUR	WSS M97B44-D	JLM 20972/*	13.5 (14.2)	
3.0 liter			All	WSS M97B44-D	JLM 20972/*	9.4 (9.9)	
4.2 liter			All	WSS M97B44-D	JLM 20972/*	10.1 (10.7)	
4.2 liter SC			All	WSS M97B44-D	JLM 20972/*	13.3 (14.0)	
<b>X-TYPE: 2001.5 MY onwards</b>							
2.0 liter Gasoline	C00344	Current	All	WSS M97B44-D	JLM 20972/*	10.0 (10.6)	
2.0 liter Diesel			EUR	WSS M97B44-D	JLM 20972/*	10.1 (10.7)	
2.5 liter			All	WSS M97B44-D	JLM 20972/*	10.0 (10.6)	
3.0 liter			All	WSS M97B44-D	JLM 20972/*	10.0 (10.6)	

**Note:** \* denotes container quantity when substituted with a number.

**Caution:** Coolant JLM 20972 is of the organic acid technology (OAT) type and must not be mixed with other types of coolant.

VIN		Engine/Zone	Market	Refrigerant	Refrigerant Charge Weight	Compressor Lubricant	Compressor Lubricant Part Number	Compressor Lubricant Capacity
From	To							
<b>XJ: 1998 up to 2003.5 MY</b>								
812317	F59525		All	R134a	675g ± 25g	Polyalkyleneglycol	JLM 12260	160 – 200 ml
<b>XJ: 2003.5 MY onwards</b>								
G00442	Current	2 Zone	All	R134a	650g ± 25g	Polyalkyleneglycol	JLM 12260	140 ml
		4 Zone	All	R134a	800g ± 25g	Polyalkyleneglycol	JLM 12260	180 ml
<b>XK: 1997 MY onwards</b>								
001246	Current		All	R134a	650g ± 50g	Polyalkyleneglycol	JLM 12260	160 – 200 ml
<b>S-TYPE: 1999.25 up to 2002.5 MY</b>								
L00600	M45254		All	R134a	800g ± 25g	Polyalkyleneglycol	XR8 3680	207 ml
<b>S-TYPE: 2002.5 MY onwards</b>								
M45255	Current	Gasoline	All	R134a	750g ± 25g	Polyalkyleneglycol	XR8 3680	207 ml
		Diesel	EUR	R134a	700g ± 50g	Polyalkyleneglycol	XR8 3680	207 ml
<b>X-TYPE: 2001.5 MY onwards</b>								
C00344	Current	Gasoline	All	R134a	810g ± 15g	Polyalkyleneglycol	XR8 3680	220 ml
		Diesel	EUR	R134a	735g ± 25g	Polyalkyleneglycol	XR8 3680	200 ml

Notes

VIN		Engine	Market	Fluid Specification	Part Number	Oil Capacity Liters – US Quarts	<u>Notes</u>
From	To						
<b>Xj: 1998 MY up to 2003.5 MY</b>							
812317	F59525	3.2 liter	All	Mobil ATF meeting Dexron 3 Specification	JLM 21703	1 approx.	
		4.0 liter	All	Mobil ATF meeting Dexron 3 Specification	JLM 21703	1 approx.	
		4.0 liter SC	All	Mobil ATF meeting Dexron 3 Specification	JLM 21703	1 approx.	
<b>Xj: 2003.5 MY onwards</b>							
G00442	Current	3.0 liter	All	Mobil ATF meeting Dexron 3 Specification	JLM 21703	1.6 approx.	
		3.5 liter	All	Mobil ATF meeting Dexron 3 Specification	JLM 21703	1.6 approx.	
		4.2 liter	All	Mobil ATF meeting Dexron 3 Specification	JLM 21703	1.6 approx.	
		4.2 liter SC	All	Mobil ATF meeting Dexron 3 Specification	JLM 21703	1.6 approx.	



VIN		Engine	Market	Fluid Specification	Part Number	Oil Capacity Liters – US Quarts	<u>Notes</u>
From	To						
<b>XK: 1997 up to 1998.75 MY</b>							
001246	024686	4.0 liter	All	Mobil ATF meeting Dexron 3 Specification	JLM 21703	1 approx.	
<b>XK: 1998.75 up to 2003 MY</b>							
024687	A30644	4.0 liter	All	Mobil ATF meeting Dexron 3 Specification	JLM 21703	1 approx.	
		4.0 liter SC	All	Mobil ATF meeting Dexron 3 Specification	JLM 21703	1 approx.	
<b>XK: 2003 MY onwards</b>							
A30645	Current	4.2 liter	All	Mobil ATF meeting Dexron 3 Specification	JLM 21703	1 approx.	
		4.2 liter SC	All	Mobil ATF meeting Dexron 3 Specification	JLM 21703	1 approx.	

VIN		Engine	Market	Fluid Specification	Part Number	Oil Capacity Liters – US Quarts	<u>Notes</u>
From	To						
<b>S-TYPE: 1999.25 up to 2001 MY</b>							
L00600	L86901	3.0 liter	All	WSA-M2C195-A	JLM 20772	1 approx.	
		4.0 liter	All	WSA-M2C195-A	JLM 20772	1 approx.	
<b>S-TYPE: 2001 up to 2002.5 MY</b>							
L86902	M45254	3.0 liter	All	Mobil ATF meeting Dexron 3 Specification	JLM 21703	1.6 approx.	
		4.0 liter	All	Mobil ATF meeting Dexron 3 Specification	JLM 21703	1.6 approx.	
<b>S-TYPE: 2002.5 MY onwards</b>							
M45255	Current	2.5 liter	All	Mobil ATF meeting Dexron 3 Specification	JLM 21703	1.6 approx.	
		2.7 liter Diesel	EUR	Mobil ATF meeting Dexron 3 Specification	JLM 21703	1.6 approx.	
		3.0 liter	All	Mobil ATF meeting Dexron 3 Specification	JLM 21703	1.6 approx.	
		4.2 liter	All	Mobil ATF meeting Dexron 3 Specification	JLM 21703	1.6 approx.	
		4.2 liter SC	All	Mobil ATF meeting Dexron 3 Specification	JLM 21703	1.6 approx.	

VIN		Engine	Market	Fluid Specification	Part Number	Oil Capacity Liters – US Quarts	<u>Notes</u>
From	To						
<b>X-TYPE: 2001.5 MY</b>							
C00344	Current	2.0 liter Gasoline	All	Mobil ATF meeting Dexron 3 Specification	JLM 21703	1.2 approx.	
		2.0 liter Diesel	EUR	Mobil ATF meeting Dexron 3 Specification	JLM 21703	1.5 approx.	
		2.5 liter	All	Mobil ATF meeting Dexron 3 Specification	JLM 21703	1.2 approx.	
		3.0 liter	All	Mobil ATF meeting Dexron 3 Specification	JLM 21703	1.2 approx.	

VIN		Wheel	Tire	Tire Unique Identifier	Notes
From	To				
<b>Xj: 1998 up to 2003.5 MY</b>					
812317	F59525	7" x 16"	225/60ZR 16 98W Pirelli P4000e	size/designation/ UK manufacture	
			225/60ZR 16 98W Pirelli P6000	size/designation/ UK manufacture	
			225/55R 16 95W Continental EcoContact CP	Star marked	
			225/60R 16 Michelin Energy MXV4 Plus *	size/designation	
		8" x 16"	225/55ZR 16 95W J Pirelli P6000	J marked	
		7.5" and 8" x 17"	235/50ZR 17 96Y Pirelli P6000	size/designation/ UK manufacture	
		8" and 8.5" x 18"	255/40ZR 18 95Y Pirelli P-Zero asimmetrico	size/designation/ UK manufacture	
		8.5" x 19"	255/35ZR 19 Pirelli P-Zero	size/designation	
3.5" and 4" x 18"	T115/85R 18 96M Pirelli (spare)	size/designation			

**Note:** \* Only fitted to USA and Canadian cars, limited to 195 km/h (121 mile/h).

**Note:** As tire fitment can vary in individual markets, consult the vehicle handbook or tire label for further information.

VIN		Wheel	Tire	Tire Unique Identifier	Notes
From	To				
<b>XJ: 2003.5 MY onwards</b>					
G00442	Current	7" x 17"	235/55HR 17 99H Pirelli P6 Four Seasons *	size/designation	
			235/55ZR 17 99W Pirelli P6000 Powergy	size/designation	
		8" x 18"	235/50HR 18 97H MichelinPilot HX MXM4 *	size/designation	
			235/50HR 18 97H Continental ContiTouringContact *	J marked	
			235/50ZR 18 97W Pirelli P6000 Powergy	size/designation	
		8.5" x 19"	255/40ZR 19 96Y Pirelli P-Zero	size/designation	
		9" x 20"	255/35ZR 20 97Y MichelinPilot Sport	size/designation	
		4" x 18"	T135/80R 18 104M Pirelli (spare)	size/designation	

**Note:** \* Only fitted to USA and Canadian cars, limited to 195 km/h (121 mile/h).

**Note:** As tire fitment can vary in individual markets, consult the vehicle handbook or tire label for further information.

VIN		Wheel	Tire	Tire Unique Identifier	Notes
From	To				
<b>XK: 1997 MY onwards</b>					
001246	Current	8" x 17"	245/50ZR 17 99Y Pirelli P-Zero asimmetrico	size/designation/ UK manufacture	
		8" and 8.5" x 18"	245/45ZR 18 96W Continental ContiSportContact	size/designation/) marked	
			245/45ZR 18 96Y Pirelli P-Zero direzionale	size/designation/ German manufacture	
		9" x 18"	255/45ZR 18 99W Continental ContiSportContact	size/designation/) marked	
			255/45ZR 18 99Y Pirelli P-Zero asimmetrico	size/designation/ German manufacture	
		8" x 19"	245/40ZR 19 98Y Pirelli P-Zero Rosso	size/designation	
		9" x 19"	255/40ZR 19 100Y Pirelli P-Zero Rosso	size/designation	
		9" x 20"	255/35ZR 20 97Y Pirelli P-Zero direzionale	size/designation/) marked	
		10" x 20"	285/30ZR 20 99Y Pirelli P-Zero asimmetrico	size/designation/) marked	
3.5" and 4" x 18"	T135/80R 18 104M Pirelli (spare)	size/designation			

**Note:** As tire fitment can vary in individual markets, consult the vehicle handbook or tire label for further information.

VIN		Wheel	Tire	Tire Unique Identifier	Notes
From	To				
<b>S-TYPE: 1999.25 up to 2002.5 MY</b>					
L00600	M45254	7" and 7.5" x 16"	225/55ZR 16 95W Pirelli P6000	J marked	
			225/55R 16 95W Continental EcoContact CP	Star marked	
			225/55R 16 95H Bridgestone Turanza EL42 *	size/designation	
		7.5" x 17"	235/50ZR 17 96W Pirelli P-Zero	size/designation	
			245/45R 17 95W Continental ContiSportContact		
		8" x 18"	245/40ZR 18 97Y Pirelli P-Zero	size/designation	
		4" x 16"	T145/80R 16 105M General (spare)	size/designation	

**Note:** \* Only fitted to USA and Canadian cars, limited to 195 km/h (121 mile/h).

**Note:** As tire fitment can vary in individual markets, consult the vehicle handbook or tire label for further information.

VIN		Wheel	Tire	Tire Unique Identifier	Notes
From	To				
<b>S-TYPE: 2002.5 MY onwards</b>					
M45255	Current	6.5" x 16"	205/60VR 16 92V Pirelli P7	size/designation	
			225/55ZR 16 95W Pirelli P6000	J marked	
		7.5" x 16"	225/55R 16 95H Bridgestone EL42 Turanza *	size/designation	
			225/55R 16 95H Continental ContiTouringContact *	J marked	
			235/50ZR 17 96Y Pirelli P6000 Powergy	size/designation	
		7.5" x 17"	235/50R 17 96H Michelin MXM4 *	size/designation	
			235/50ZR 17 96W Pirelli P-Zero	size/designation	
			8" x 18"	245/40ZR 18 97Y Pirelli P-Zero	size/designation
		8" x 18"	245/40 R 18 93H Continental ContiProContact *	J marked	
		8" x 18"	245/40ZR 18 Continental ContiSportContact	J marked	
		9.5" x 18"	275/35ZR 18 Continental ContiSportContact	J marked	
		4" x 16"	T145/80R 16 Continental (spare)	size/designation	
4" x 18"	T115/85R 18 Pirelli (spare)	size/designation			

**Note:** \* Only fitted to USA and Canadian cars, limited to 195 km/h (121 mile/h).

**Note:** Using an unspecified wheel size may affect the calibration of the speedometer (this applies to S-TYPE 2002.5 MY onwards, and X-TYPE only).

**Note:** As tire fitment can vary in individual markets, consult the vehicle handbook or tire label for further information.



VIN		Wheel	Tire	Tire Unique Identifier	Notes
From	To				
<b>X-TYPE: 2001.5 MY onwards</b>					
C00344	Current	6.5" x 16" steel	205/55R 16 91V Pirelli P6000 Powergy	J marked	
		6.5" x 16" alloy	205/55R 16 91H *	J marked	
			205/55R 16 91V Pirelli P6000 Powergy	J marked	
		7" x 17"	225/45R 17 91Y Pirelli P-Zero	size/designation/ no yellow P-Zero label	
			225/45R 17 94W Continental ContiSportContact	J marked/size/designation	
			225/45R 17 91H *	J marked	
			205/50R 17 93Y Pirelli P-Zero Rosso	size/designation	
		7.5" x 18"	225/40ZR 18 92Y Pirelli P-Zero Nero	size/designation	
4" x 16"	T125/85R 16 99M Pirelli (spare)	size/designation			

**Note:** \* Only fitted to USA and Canadian cars, limited to 195 km/h (121 mile/h).

**Note:** Using an unspecified wheel size may affect the calibration of the speedometer (this applies to S-TYPE 2002.5 MY onwards, and X-TYPE only).

**Note:** As tire fitment can vary in individual markets, consult the vehicle handbook or tire label for further information.

VIN		Wheel	Tire	Tire Unique Identifier	<u>Notes</u>
From	To				
<b>XJ: 2003.5 MY onwards</b>					
G00442	Current	7.5" x 17"	235/55R 17 Continental TS790	-	
		8" x 18"	235/50R 18 Continental TS790	-	
		8" x 18"	235/50R 18 Pirelli Snowsport	-	
		8.5" x 19"	245/45R 19 Pirelli Snowsport	-	
<b>XK: 1997 MY onwards</b>					
001246	Current	8" x 17"	245/50R 17 Pirelli Snowsport	-	
		8" x 18" Front	245/45R 18 Pirelli Snowsport	-	
		9" x 18" Rear			
		8.5" x 18" All wheels	245/45R 18 Pirelli Snowsport	-	

VIN		Wheel	Tire	Tire Unique Identifier	Notes
From	To				
<b>S-TYPE: 2002.5 MY onwards</b>					
M45255	Current	<b>Excluding "R" Model</b>			
		7" or 7.5" x 16"	225/55R 16 Pirelli Snowsport	-	
		7" or 7.5" x 16"	225/55R 16 Continental TS790	-	
		7.5" x 17"	235/50R 17 Pirelli Snowsport	-	
		7.5" x 17"	235/50R 17 Continental TS790	-	
		<b>"R" Model only</b>			
		8" x 18"	235/40R 18 95V Pirelli Winter 240	-	
9.5" x 18"	265/35R 18 97V Pirelli Winter 240	-			

VIN		Wheel	Tire	Tire Unique Identifier	<u>Notes</u>
From	To				
<b>X-TYPE: 2001.5 MY onwards</b>					
C00344	Current	6.5" x 16"	205/55R 16 Pirelli Snowsport	-	
		6.5" x 16"	205/55R 16 Continental TS790	-	
		7" x 17"	225/45R 17 Pirelli Snowsport	-	
		7" x 17"	225/45R 17 Continental TS790	-	
		7" x 17"	205/50R 17 Pirelli Snowsport	-	
		7.5" x 18"	225/40R 18 Continental TS790	-	
		7.5" x 18"	225/40R 18 Pirelli Snowsport	-	

VIN		Vehicle Speed and Loading	Tire Size	Tire Pressures – cold bar (lbf/in <sup>2</sup> )		<u>Notes</u>	
From	To			Front	Rear		
<b>XJ: 1998 up to 2000 MY</b>							
812317	878717	<b>Normal:</b> speeds above 160 km/h – 100 mile/h	16 inch	2.2 (32)	2.3 (34)		
			17 inch	2.2 (32)	2.3 (34)		
			18 inch	2.2 (32)	2.3 (34)		
		<b>Comfort:</b> speeds below 160 km/h – 100 mile/h	16 inch	1.8 (26)	1.9 (28)		
			17 inch	1.8 (26)	1.9 (28)		
			18 inch	1.8 (26)	1.9 (28)		
		<b>Max Speed 80 km/h – 50 mile/h</b>		3.5 x 18 inch (spare)	4.2 (60)	4.2 (60)	

**Note:** As tire pressures can vary in individual markets always consult the vehicle tire label for further information.

VIN		Vehicle Speed and Loading	Tire Size	Tire Pressures cold – bar (lbf/in <sup>2</sup> )			
From	To			Front	Rear	Markets*	
				Front	Rear	Front	Rear
<b>Xj: 2000 up to 2003.5 MY</b>							
F00103	F59525	<b>Normal:</b> speeds above 160 km/h – 100 mile/h	16 inch	2.2 (32)	2.3 (34)	–	–
			17 inch	2.2 (32)	2.3 (34)	–	–
			18 inch	2.2 (32)	2.3 (34)	2.2 (32)	2.3 (34)
			19 inch	2.3 (34)	2.6 (38)	–	–
		<b>Comfort:</b> speeds below 160 km/h – 100 mile/h	16 inch	1.8 (26)	1.9 (28)	–	–
			17 inch	1.8 (26)	1.9 (28)	–	–
			18 inch	1.8 (26)	1.9 (28)	2.2 (32)	2.3 (34)
			19 inch	2.2 (32)	2.4 (35)	–	–
		Max Speed 80 km/h – 50 mile/h	3.5 x 18 and 4 x 18 inch (spare)	4.2 (60)	4.2 (60)	–	–

\* Argentina, Brazil, Chile, Dominican Republic, Morocco, Panama, Philippines, Russia, Sri Lanka.

**Note:** As tire pressures can vary in individual markets always consult the vehicle tire label for further information.

**Notes**

VIN		Vehicle Speed and Loading	Tire Size	Tire Pressures cold – bar (lbf/in <sup>2</sup> )						
From	To			USA and Canada		ROW excluding *		Markets *		
				Front	Rear	Front	Rear	Front	Rear	
<b>XJ: 2003.5 MY onwards</b>										
G00442	Current	<b>Normal:</b> speeds above 160 km/h – 100 mile/h	17 inch	2.1 (30)	2.2 (32)	2.2 (32)	2.3 (34)	–	–	
			18 inch	2.1 (30)	2.2 (32)	2.5 (36)	2.6 (38)	2.5 (36)	2.6 (38)	
			19 inch	2.2 (32)	2.3 (34)	2.2 (32)	2.3 (34)	–	–	
			20 inch	2.3 (34)	2.5 (36)	2.3 (34)	2.5 (36)	–	–	
		<b>Comfort:</b> speeds below 160 km/h – 100 mile/h	17 inch	1.9 (28)	2.1 (30)	1.9 (28)	2.1 (30)	–	–	
			18 inch	1.9 (28)	2.1 (30)	1.9 (28)	2.1 (30)	2.5 (36)	2.6 (38)	
			19 inch	1.9 (28)	2.1 (30)	1.9 (28)	2.1 (30)	–	–	
			20 inch	2.2 (32)	2.3 (34)	2.2 (32)	2.3 (34)	–	–	
		<b>Max Speed 80 km/h – 50 mile/h</b>		4" x 18" (spare)	4.2 (60)					

\* Argentina, Brazil, Bulgaria, Chile, Dominican Republic, Panama, Philippines, Russia, Sri Lanka, (Morocco up to 2004 MY).

**Note:** As tire pressures can vary in individual markets always consult the vehicle tire label for further information.

Notes

VIN		Vehicle Speed and Loading	Tire Size	Tire Pressures – cold bar (lbf/in <sup>2</sup> )		<u>Notes</u>		
From	To			Front	Rear			
<b>XK: 1997 up to 1998.75 MY</b>								
001246	024686	<b>Normal:</b> speeds above 160 km/h – 100 mile/h	17 inch	2.2 (32)	2.3 (34)			
			18 inch tire date code pre “048”	2.2 (32)	2.1 (30)			
			18 inch tire date code “048” on	2.2 (32)	2.3 (34)			
		<b>Comfort:</b> speeds below 160 km/h – 100 mile/h	17 inch	1.8 (26)	1.9 (28)			
			18 inch tire date code pre “048”	1.8 (26)	1.6 (24)			
			18 inch tire date code “048” on	1.8 (26)	1.9 (28)			
		Max Speed 80 km/h – 50 mile/h	3.5 x 18 (spare)	4.2 (60)	4.2 (60)			
		<b>XK: 1998.75 up to 2000 MY</b>						
		024687	042775	<b>Normal:</b> speeds above 160 km/h – 100 mile/h	17 inch	2.2 (32)	2.3 (34)	
18 inch	2.2 (32)				2.3 (34)			
<b>Comfort:</b> speeds below 160 km/h – 100 mile/h	17 inch			1.8 (26)	1.9 (28)			
	18 inch			1.8 (26)	1.9 (28)			
Max Speed 80 km/h – 50 mile/h	3.5 x 18 (spare)			4.2 (60)	4.2 (60)			

**Note:** As tire pressures can vary in individual markets always consult the vehicle tire label for further information.



VIN		Vehicle Speed and Loading	Tire Size	Tire Pressures cold – bar (lbf/in <sup>2</sup> )					
From	To			Front	Rear	Markets*			
				Front	Rear	Front	Rear		
<b>XK: 2000 MY onwards</b>									
A00116	Current	<b>Normal:</b> speeds above 160 km/h – 100 mile/h	17 inch	2.2 (32)	2.3 (34)	2.2 (32)	2.3 (34)		
			18 inch	2.2 (32)	2.3 (34)	2.2 (32)	2.3 (34)		
			19 inch	2.2 (32)	2.3 (34)	2.2 (32)	2.3 (34)		
			20 inch	2.2 (32)	2.1 (30)	2.2 (32)	2.1 (30)		
		<b>Comfort:</b> speeds below 160 km/h – 100 mile/h	17 inch	1.8 (26)	1.9 (28)	2.2 (32)	2.3 (34)		
			18 inch	1.8 (26)	1.9 (28)	2.2 (32)	2.3 (34)		
			19 inch	2.2 (32)	2.3 (34)	2.2 (32)	2.3 (34)		
			20 inch	2.2 (32)	2.1 (30)	2.2 (32)	2.1 (30)		
		Max Speed 80 km/h – 50 mile/h		3.5 x 18 and 4 x 18 inch (spare)		4.2 (60)	4.2 (60)	–	–

\*Up to 2004 MY – Argentina, Brazil, Chile, Dominican Republic, Morocco, Panama, Philippines, Russia, Sri Lanka.

\*From 2004 MY – Argentina, Brazil, Bulgaria, Chile, Dominican Republic, Panama, Philippines, Russia, Sri Lanka.

**Note:** As tire pressures can vary in individual markets always consult the vehicle tire label for further information.

**Notes**

VIN		Vehicle Speed and Loading	Tire Size	Tire Pressures cold – bar (lbf/in <sup>2</sup> )			
From	To			Front	Rear	Markets*	
				Front	Rear	Front	Rear
<b>S-TYPE: 1999.25 MY</b>							
L00600	L31320	<b>Normal:</b> speeds above 160 km/h – 100 mile/h	16 inch	2.2 (32)	2.3 (34)		
			17 inch	2.2 (32)	2.3 (34)		
		<b>Comfort:</b> speeds below 160 km/h – 100 mile/h	16 inch	1.8 (26)	1.9 (28)		
			17 inch	1.8 (26)	1.9 (28)		
		Max Speed 80 km/h – 50 mile/h	4 x 16 inch (spare)	4.2 (60)	4.2 (60)		
<b>S-TYPE: 2000 up to 2002.5 MY</b>							
L31321	M45254	<b>Normal:</b> speeds above 160 km/h – 100 mile/h	16 inch	2.2 (32)	2.3 (34)	–	–
			17 inch	2.2 (32)	2.3 (34)	2.2 (32)	2.3 (34)
			18 inch	2.2 (32)	2.3 (34)	2.2 (32)	2.3 (34)
		<b>Comfort:</b> speeds below 160 km/h – 100 mile/h	16 inch	1.8 (26)	1.9 (28)	–	–
			17 inch	1.8 (26)	1.9 (28)	2.2 (32)	2.3 (34)
			18 inch	1.8 (26)	1.9 (28)	2.2 (32)	2.3 (34)
		Max Speed 80 km/h – 50 mile/h	4 x 16 inch (spare)	4.2 (60)	4.2 (60)	–	–

\* Argentina, Brazil, Chile, Dominican Republic, Morocco, Panama, Philippines, Russia, Sri Lanka.

**Note:** As tire pressures can vary in individual markets always consult the vehicle tire label for further information.

**Notes**

VIN		Vehicle Speed and Loading	Tire Size	Tire Pressures – cold bar (lbf/in <sup>2</sup> )		Notes
From	To			Front	Rear	
<b>S-TYPE: 2002.5 MY up to 2004.5 MY</b>						
M45255	N13088	<b>Excluding “R” Model</b>				
		<b>Up to 4 People</b> (any speed)	205/60R 16	2.2 (32)	2.2 (32)	
			225/55R 16	2.1 (31)	2.1 (31)	
			235/50R 17	2.1 (31)	2.1 (31)	
			245/40R 18	2.1 (31)	2.1 (31)	
		<b>Over 4 People</b> (any speed)	205/60R 16	2.7 (39)	2.8 (41)	
			225/55R 16	2.6 (38)	2.6 (38)	
			235/50R 17	2.6 (38)	2.6 (38)	
			245/40R 18	2.4 (35)	2.4 (35)	
		Max Speed 80 km/h – 50 mile/h	T145/80R 16 and T115/85R 18 (spare)	4.2 (60)	4.2 (60)	
		<b>“R” Model only</b>				
		<b>Normal:</b> speeds above 160 km/h – 100 mile/h	245/40R 18	2.5 (36)	–	
			275/35R 18	–	2.8 (40)	
		<b>Comfort:</b> speeds below 160 km/h – 100 mile/h	245/40R 18	1.9 (28)	–	
275/35R 18	–		2.2 (32)			
Max Speed 80 km/h – 50 mile/h	T115/85R 18 (spare)	4.2 (60)	4.2 (60)			

**Note:** As tire pressures can vary in individual markets always consult the vehicle tire label for further information.

VIN		Vehicle Speed and Loading	Tire Size	Tire Pressures – cold bar (lbf/in <sup>2</sup> )		Notes	
From	To			Front	Rear		
<b>S-TYPE: 2004.5 MY onward</b>							
N13089	Current	<b>Excluding “R” Model</b>					
		<b>Up to 4 People</b> (any speed)	205/60R 16	2.2 (32)	2.2 (32)		
			235/50R 17 96Y, 96W, 96H	2.1 (31)	2.1 (31)		
			245/40R 18 97Y, 93H	2.1 (31)	2.1 (31)		
		<b>Over 4 People</b> (any speed)	205/60R 16	2.6 (38)	2.9 (42)		
			235/50R 17 96Y, 96W	2.6 (38)	2.6 (38)		
			235/50R 17 96H	2.2 (32)	2.2 (32)		
			245/40R 18 97Y	2.6 (38)	2.6 (38)		
			245/40R 18 93H	2.4 (35)	2.4 (35)		
		Max Speed 80 km/h – 50 mile/h	T145/80R 16 (spare)	4.2 (60)	4.2 (60)		
			T115/85R 18 96M (spare)	4.2 (60)	4.2 (60)		
		<b>“R” Model only</b>					
		Above 160 km/h – 100 mile/h	245/40 ZR 18	2.8 (40)	–		
			275/35 ZR 18	–	2.8 (40)		
		Below 160 km/h – 100 mile/h	245/40 ZR 18	2.1 (30)	–		
			275/35 ZR 18	–	2.2 (32)		
Max Speed 80 km/h – 50 mile/h	T115/85R 18 96M (spare)	4.2 (60)	4.2 (60)				

**Note:** As tire pressures can vary in individual markets always consult the vehicle tire label for further information.

VIN		Vehicle Speed and Loading	Tire Size	Tire Pressures – cold bar (lbf/in <sup>2</sup> )		Notes
From	To			Front	Rear	
<b>X-TYPE: 2001.5 MY onwards (continued over)</b>						
C00344	Current	<b>2.5 and 3.0 liter only</b>				
		<b>Normal:</b> speeds above 160 km/h – 100 mile/h	16 inch	2.6 (38)	2.4 (35)	
			17 inch 91Y, 91H	2.6 (38)	2.4 (35)	
			17 inch 94W	2.6 (38)	2.5 (36)	
			18 inch	2.8 (40)	2.4 (35)	
		<b>Comfort:</b> speeds below 160 km/h – 100 mile/h	16 inch	2.2 (32)	2.2 (32)	
			17 inch 91Y, 91H	2.1 (30)	2.1 (30)	
			17 inch 94W	2.3 (34)	2.3 (34)	
			18 inch	2.5 (36)	2.3 (34)	
		Max Speed 80 km/h – 50 mile/h	4 x 16 inch (spare)	4.2 (60)	4.2 (60)	

**Note:** As tire pressures can vary in individual markets always consult the vehicle tire label for further information.

VIN		Vehicle Speed and Loading	Tire Size	Tire Pressures – cold bar (lbf/in <sup>2</sup> )		<u>Notes</u>
From	To			Front	Rear	
<b>X-TYPE: 2001.5 MY onwards (continued)</b>						
C00344	Current	<b>2.0 liter gasoline only</b>				
		<b>Normal:</b> speeds above 160 km/h – 100 mile/h	16 inch	2.4 (35)	2.2 (32)	
			17 inch	2.5 (36)	2.3 (34)	
			18 inch	2.6 (38)	2.4 (35)	
		<b>Comfort:</b> speeds below 160 km/h – 100 mile/h	16 inch	2.1 (30)	2.1 (30)	
			17 inch	2.3 (34)	2.3 (34)	
			18 inch	2.3 (34)	2.2 (32)	
Max Speed 80 km/h – 50 mile/h	4 x 16 inch (spare)	4.2 (60)	4.2 (60)			

**Note:** As tire pressures can vary in individual markets always consult the vehicle tire label for further information.

VIN		Vehicle Speed and Loading	Tire Size	Tire Pressures – cold bar (lbf/in <sup>2</sup> )		Notes
From	To			Front	Rear	
<b>X-TYPE: 2001.5 MY onwards (continued)</b>						
C00344	Current	<b>2.0 liter diesel only</b>				
		Normal: speeds above 160 km/h – 100 mile/h	16 inch	2.4 (35)	2.2 (32)	
			17 inch 91Y	2.5 (36)	2.3 (34)	
			17 inch 94W	2.6 (38)	2.5 (36)	
			18 inch	2.6 (38)	2.4 (35)	
		Comfort: speeds below 160 km/h – 100 mile/h	16 inch	2.2 (32)	2.1 (30)	
			17 inch 91Y	2.2 (32)	2.1 (30)	
			17 inch 94W	2.3 (34)	2.3 (34)	
			18 inch	2.3 (34)	2.2 (32)	
		Max Speed 80 km/h – 50 mile/h	4 x 16 inch (spare)	4.2 (60)	4.2 (60)	

**Note:** As tire pressures can vary in individual markets always consult the vehicle tire label for further information.

Model and Model Year	VIN		Tire Size	Tire Pressures – cold bar (lbf/in <sup>2</sup> )		Notes
	From	To		Front	Rear	
<b>XJ: 2003.5 MY onwards</b>	G00442	Current				
Winter tires with the same dimensions as Original Equipment (OE) tires use the same tire pressures as the OE tires. Refer to “Tire Pressures (Original Equipment)” section.						
<b>XK: 1997 MY onwards</b>	001246	Current				
Winter tires with the same dimensions as Original Equipment (OE) tires use the same tire pressures as the OE tires. Refer to “Tire Pressures (Original Equipment)” section.						
<b>S-TYPE: 2002.5 MY onward</b>	M45255	Current				
<b>Excluding “R” Model</b>						
Winter tires with the same dimensions as Original Equipment (OE) tires use the same tire pressures as the OE tires. Refer to “Tire Pressures (Original Equipment)” section.						
<b>“R” Model only</b>						
<b>Normal:</b> speeds above 160 km/h – 100 mile/h			8" x 18"	2.6 (38)	–	
			9.5" x 18"	–	2.9 (42)	
<b>Comfort:</b> speeds below 160 km/h – 100 mile/h			8" x 18"	2.1 (30)	–	
			9.5" x 18"	–	2.3 (34)	
<b>X-TYPE: 2001.5 MY onwards</b>	C00344	Current				
Winter tires with the same dimensions as Original Equipment (OE) tires use the same tire pressures as the OE tires. Refer to “Tire Pressures (Original Equipment)” section.						
<b>Note:</b> The vehicle speed should be restricted to 210 km/h (130 mile/h) when “H” rated tires are fitted, or 240 km/h (149 mile/h) when “V” rated tires are fitted.						



VIN		Vehicle/Suspension	Market	Showroom mm (inch)		Curb mm (inch)		Notes
From	To			Front	Rear	Front	Rear	
<b>X): 1998 up to 2003.5 MY (SWB and LWB)</b>								
812317	F59525	Comfort Suspension	All	390 (15.35)	384 (15.11)	389 (15.31)	373 (14.68)	
		Sport Suspension	All	389 (15.31)	381 (15.00)	388 (15.27)	372 (14.64)	
		XJR	NAS	389 (15.31)	382 (15.03)	388 (15.27)	372 (14.64)	
		XJR	ROW	367 (14.44)	365 (14.37)	366 (14.40)	358 (14.09)	
		Supercharged Super 8	All	389 (15.31)	382 (15.03)	388 (15.27)	372 (14.64)	

- Ride height is measured from the center of the wheel to the apex of the wheel arch, through the wheel center line.
- Showroom = with all fluids at full and 9 liters (9.5 US Quarts) of fuel.
- Curb = with all fluids at full and a full tank of fuel.
- All figures quoted assume  $\pm 15$  mm (0.59 inch) anticipated build variance and condition.

VIN		Vehicle/Suspension	Market	Standard Ride Height mm		<u>Notes</u>
From	To			Front	Rear	
<b>XJ: 2003.5 MY onwards (SWB and LWB)</b>						
G00442	Current		All	386	373	

- Ride height is measured from the center of the wheel to the apex of the wheel arch, through the wheel center line.
- Ride heights quoted are as attained after the vehicle has been leveled using the WDS Pre-Geometry function. Once leveled, the figures quoted assume  $\pm 15$  mm anticipated build variance and condition.
- Ride height calibration can only be performed using WDS.
- Due to WDS calibration, metric figures are quoted only.

VIN		Vehicle/Suspension	Market	Showroom mm (inch)		Curb mm (inch)		<u>Notes</u>
From	To			Front	Rear	Front	Rear	
<b>XK: 1997 MY onwards</b>								
001246	Current	XK8	All	401 (15.78)	416 (16.37)	400 (15.74)	405 (15.94)	
		XKR	All	401 (15.78)	415 (16.33)	400 (15.74)	405 (15.94)	

- Ride height is measured from the center of the wheel to the apex of the wheel arch, through the wheel center line.
- Showroom = with all fluids at full and 9 liters (9.5 US Quarts) of fuel.
- Curb = with all fluids at full and a full tank of fuel.
- All figures quoted assume  $\pm 15$  mm (0.59 inch) anticipated build variance and condition.

VIN		Vehicle/Suspension	Market	Showroom mm (inch)		Curb mm (inch)		<u>Notes</u>
From	To			Front	Rear	Front	Rear	
<b>S-TYPE: 1999.25 up to 2002.5 MY</b>								
L00600	M45254	V6 Manual – Non adaptive damping	All	387 (15.23)	384 (15.11)	385 (15.15)	378 (14.88)	
		V6 Manual – With adaptive damping	All	385 (15.15)	381 (15.00)	384 (15.11)	375 (14.76)	
		V6 Auto – Non adaptive damping	All	386 (15.19)	384 (15.11)	384 (15.11)	378 (14.88)	
		V6 Auto – With adaptive damping	All	385 (15.15)	381 (15.00)	384 (15.11)	375 (14.76)	
		V8 Auto – Non adaptive damping	All	386 (15.19)	384 (15.11)	384 (15.11)	378 (14.88)	
		V8 Auto – With adaptive damping	All	385 (15.15)	381 (15.00)	383 (15.07)	375 (14.76)	
<ul style="list-style-type: none"> <li>• Ride height is measured from the center of the wheel to the apex of the wheel arch, through the wheel center line.</li> <li>• Showroom = with all fluids at full and 9 liters (9.5 US Quarts) of fuel.</li> <li>• Curb = with all fluids at full and a full tank of fuel.</li> <li>• All figures quoted assume <math>\pm 15</math> mm (0.59 inch) anticipated build variance and condition.</li> </ul>								

VIN		Vehicle/Suspension	Market	Showroom mm (inch)		Curb mm (inch)		Notes
From	To			Front	Rear	Front	Rear	
<b>S-TYPE: 2002.5 MY up to 2004.5 MY</b>								
M45255	N13088	V6 Manual – Non adaptive damping	All	392 (15.43)	389 (15.31)	390 (15.35)	382 (15.03)	
		V6 Manual – With adaptive damping	All	389 (15.31)	384 (15.11)	387 (15.23)	378 (14.88)	
		V6 Auto – Non adaptive damping	All	392 (15.43)	389 (15.31)	390 (15.35)	382 (15.03)	
		V6 Auto – With adaptive damping	All	389 (15.31)	384 (15.11)	387 (15.23)	378 (14.88)	
		V8 N/A Auto – Non adaptive damping	All	390 (15.35)	389 (15.31)	388 (15.27)	382 (15.03)	
		V8 N/A Auto – With adaptive damping	All	387 (15.23)	384 (15.11)	386 (15.19)	378 (14.88)	
		V8 SC Auto – With adaptive damping	All	387 (15.23)	384 (15.11)	386 (15.19)	378 (14.88)	

- Showroom = with all fluids at full and 9 liters (9.5 US quarts) of fuel.
- Curb = with all fluids at full and a full tank of fuel.
- Ride height is measured from the center of the wheel to the apex of the wheel arch, through the wheel center line.
- All figures quoted assume  $\pm 15$  mm (0.59 inch) anticipated build variance and condition.

VIN		Vehicle/Suspension	Market	Showroom mm (inch)		Curb mm (inch)		<u>Notes</u>
From	To			Front	Rear	Front	Rear	
<b>S-TYPE: 2004.5 MY onwards</b>								
N13089	Current	V6 Gasoline – Comfort	All	390 (15.35)	388 (15.27)	388 (15.27)	383 (15.07)	
		V6 Gasoline – Sport	All	387 (15.23)	383.5 (15.09)	386 (15.19)	379 (14.92)	
		V8 Gasoline – Comfort	All	389 (15.31)	388 (15.27)	387 (15.23)	382 (15.03)	
		V8 Gasoline – Sport	All	386 (15.19)	383 (15.07)	385 (15.15)	379 (14.92)	
		V8 Gasoline – Supercharged “R”	All	382 (15.03)	379 (14.92)	381 (14.99)	375 (14.76)	
		V6 Diesel – Comfort	All	387 (15.23)	383 (15.07)	386 (15.19)	382 (15.03)	
		V6 Diesel – Sport	All	385 (15.15)	383 (15.07)	384 (15.11)	378 (14.88)	

- Showroom = with all fluids at full and 9 liters (9.5 US quarts) of fuel.
- Curb = with all fluids at full and a full tank of fuel.
- Ride height is measured from the center of the wheel to the apex of the wheel arch, through the wheel center line.
- All figures quoted assume  $\pm 15$  mm (0.59 inch) anticipated build variance and condition.

VIN		Vehicle/Suspension	Market	Showroom mm (inch)		Curb mm (inch)		<u>Notes</u>
From	To			Front	Rear	Front	Rear	
<b>X-TYPE: 2001.5 MY up to 2004.25 MY</b>								
C00344	D55321	Comfort Suspension (2.5 and 3.0 liter)	All	376 (14.80)	379 (14.92)	374 (14.72)	372 (14.64)	
		Sport Suspension (2.5 and 3.0 liter)	All	375 (14.76)	375 (14.76)	373 (14.68)	369 (14.53)	
		Comfort Suspension (2.0 liter)	All	379 (14.92)	382 (15.03)	377 (14.84)	375 (14.76)	
		Sport Suspension (2.0 liter)	All	378 (14.88)	380 (14.96)	376 (14.80)	373 (14.68)	

- Ride height is measured from the center of the wheel to the apex of the wheel arch, through the wheel center line.
- Showroom = with all fluids at full and 9 liters (9.5 US quarts) of fuel.
- Curb = with all fluids at full and a full tank of fuel.
- All figures quoted assume  $\pm 15$  mm (0.59 inch) anticipated build variance and condition.

VIN		Vehicle/Suspension	Market	Showroom mm (inch)		Curb mm (inch)		<u>Notes</u>
From	To			Front	Rear	Front	Rear	
<b>X-TYPE: Gasoline 2004.25 MY onwards</b>								
D55322	Current	AWD Comfort Suspension (Saloon)	All	372 (14.64)	377 (14.84)	371 (14.60)	370 (14.56)	
		AWD Sport Suspension (Saloon)	All	369 (14.52)	372 (14.64)	368 (14.48)	366 (14.40)	
		FWD Comfort Suspension (Saloon)	All	372 (14.64)	380 (14.96)	371 (14.60)	373 (14.68)	
		FWD Sport Suspension (Saloon)	All	370 (14.56)	378 (14.88)	370 (14.56)	371 (14.60)	
		AWD Comfort Suspension (Estate)	Eur	374 (14.72)	373 (14.68)	373 (14.68)	366 (14.40)	
		AWD Sport Suspension (Estate)	Eur	369 (14.52)	369 (14.52)	368 (14.48)	363 (14.29)	
		FWD Comfort Suspension (Estate)	Eur	371 (14.60)	378 (14.88)	370 (14.56)	371 (14.60)	
		FWD Sport Suspension (Estate)	Eur	370 (14.56)	373 (14.68)	369 (14.52)	367 (14.44)	

- Ride height is measured from the center of the wheel to the apex of the wheel arch, through the wheel center line.
- Showroom = with all fluids at full and 9 liters (9.5 US quarts) of fuel.
- Curb = with all fluids at full and a full tank of fuel.
- All figures quoted assume  $\pm 15$  mm (0.59 inch) anticipated build variance and condition.



VIN		Vehicle/Suspension	Market	Showroom mm (inch)		Curb mm (inch)		<u>Notes</u>
From	To			Front	Rear	Front	Rear	
<b>X-TYPE: Diesel 2004.25 MY onwards</b>								
D55322	Current	Comfort Saloon	Eur	372 (14.64)	374 (14.72)	371 (14.60)	367 (14.44)	
		Sport Saloon	Eur	370 (14.56)	372 (14.64)	370 (14.56)	365 (14.37)	
		Comfort Estate	Eur	368 (14.48)	372 (14.64)	367 (14.44)	365 (14.37)	
		Sport Estate	Eur	369 (14.52)	369 (14.52)	368 (14.48)	363 (14.29)	

- Ride height is measured from the center of the wheel to the apex of the wheel arch, through the wheel center line.
- Showroom = with all fluids at full and 9 liters (9.5 US quarts) of fuel.
- Curb = with all fluids at full and a full tank of fuel.
- All figures quoted assume  $\pm 15$  mm (0.59 inch) anticipated build variance and condition.

XJ – Camber							
1998 up to 2003.5 MY VIN – 812317 to F59525		Camber					
		Left-Hand		Right-Hand		Balance (RH minus LH)	
		Min	Max	Min	Max	Min	Max
XJR Excluding NAS, and German Daimler Super-8							
All Right-Hand Drive and Japan	Degrees/Minutes	- 1° 28'	- 0° 28'	- 1° 13'	- 0° 13'	- 0° 45'	+ 1° 15'
	Decimal Degrees	- 1.47°	- 0.47°	- 1.22°	- 0.22°	- 0.75°	+ 1.25°
Rest of World	Degrees/Minutes	- 1° 13'	- 0° 13'	- 1° 28'	- 0° 28'	- 1° 15'	+ 0° 45'
	Decimal Degrees	- 1.22°	- 0.22°	- 1.47°	- 0.47°	- 1.25°	+ 0.75°
XJR NAS, and Comfort/Sports/Daimler Super-8							
All Right-Hand Drive and Japan	Degrees/Minutes	- 1° 02'	- 0° 02'	- 0° 47'	+ 0° 13'	- 0° 45'	+ 1° 15'
	Decimal Degrees	- 1.03°	- 0.03°	- 0.78°	+ 0.22°	- 0.75°	+ 1.25°
USA, Canada, Mexico, Dominican Republic (NAS)	Degrees/Minutes	- 0° 32'	+ 0° 28'	- 1° 02'	- 0° 02'	- 1° 30'	+ 0° 30'
	Decimal Degrees	- 0.53°	+ 0.47°	- 1.03°	- 0.03°	- 1.50°	+ 0.50°
Rest of World	Degrees/Minutes	- 0° 47'	+ 0° 13'	- 1° 02'	- 0° 02'	- 1° 15'	+ 0° 45'
	Decimal Degrees	- 0.78°	+ 0.22°	- 1.03°	- 0.03°	- 1.25°	+ 0.75°

Notes

- All above figures are at “showroom” height – See “Vehicle Ride Heights” section.
- Tires must be inflated to normal pressure – See “Tire Pressures” section.

XJ – Camber							
2003.5 MY onwards VIN – G00442 to Current		Camber					
		Left-Hand		Right-Hand		Balance (RH minus LH)	
		Min	Max	Min	Max	Min	Max
All Right-Hand Drive and Japan	Degrees/Minutes	- 1° 12'	- 0° 12'	- 0° 48'	+ 0° 12'	- 0° 18'	+ 1° 06'
	Decimal Degrees	- 1.20°	- 0.20°	- 0.80°	+ 0.20°	- 0.30°	+ 1.10°
USA, Canada, Mexico, Dominican Republic (NAS)	Degrees/Minutes	- 0° 45'	+ 0° 15'	- 1° 15'	- 0° 15'	- 1° 12'	+ 0° 12'
	Decimal Degrees	- 0.75°	+ 0.25°	- 1.25°	- 0.25°	- 1.20°	+ 0.20°
Rest of World	Degrees/Minutes	- 0° 54'	+ 0° 06'	- 1° 06'	- 0° 06'	- 0° 54'	+ 0° 30'
	Decimal Degrees	- 0.90°	+ 0.10°	- 1.10°	- 0.10°	- 0.90°	+ 0.50°

Notes

- All above figures are at “standard” height – See “Vehicle Ride Heights” section.
- Tires must be inflated to normal pressure – See “Tire Pressures” section.

XJ – Castor								<u>Notes</u>
1998 up to 2003.5 MY VIN – 812317 to F59525	Castor							
	Left-Hand		Right-Hand		Balance (RH minus LH)			
	Min	Max	Min	Max	Min	Max		
<b>XJR Excluding NAS, and German Daimler Super-8</b>								
All Right-Hand Drive and Japan	Degrees/Minutes	+ 4° 00'	+ 8° 00'	+ 4° 00'	+ 8° 00'	- 1° 12'	+ 1° 12'	
	Decimal Degrees	+ 4.00°	+ 8.00°	+ 4.00°	+ 8.00°	- 1.20°	+ 1.20°	
Rest of World	Degrees/Minutes	+ 4° 00'	+ 8° 00'	+ 4° 00'	+ 8° 00'	- 1° 12'	+ 1° 12'	
	Decimal Degrees	+ 4.00°	+ 8.00°	+ 4.00°	+ 8.00°	- 1.20°	+ 1.20°	
<b>XJR NAS, and Comfort/Sports/Daimler Super-8</b>								
All Right-Hand Drive and Japan	Degrees/Minutes	+ 4° 00'	+ 8° 00'	+ 4° 00'	+ 8° 00'	- 1° 12'	+ 1° 12'	
	Decimal Degrees	+ 4.00°	+ 8.00°	+ 4.00°	+ 8.00°	- 1.20°	+ 1.20°	
USA, Canada, Mexico, Dominican Republic (NAS)	Degrees/Minutes	+ 4° 00'	+ 8° 00'	+ 4° 00'	+ 8° 00'	- 1° 12'	+ 1° 12'	
	Decimal Degrees	+ 4.00°	+ 8.00°	+ 4.00°	+ 8.00°	- 1.20°	+ 1.20°	
Rest of World	Degrees/Minutes	+ 4° 00'	+ 8° 00'	+ 4° 00'	+ 8° 00'	- 1° 12'	+ 1° 12'	
	Decimal Degrees	+ 4.00°	+ 8.00°	+ 4.00°	+ 8.00°	- 1.20°	+ 1.20°	

- All above figures are at “showroom” height – See “Vehicle Ride Heights” section.
- Tires must be inflated to normal pressure – See “Tire Pressures” section.

**XJ – Castor**

Notes

2003.5 MY onwards VIN – G00442 to Current		Castor					
		Left-Hand		Right-Hand		Balance (RH minus LH)	
		Min	Max	Min	Max	Min	Max
All Right-Hand Drive and Japan	Degrees/Minutes	+ 6° 52'	+ 8° 16'	+ 6° 20'	+ 7° 44'	- 1° 14'	+ 0° 10'
	Decimal Degrees	+ 6.87°	+ 8.27°	+ 6.34°	+ 7.74°	- 1.24°	+ 0.16°
USA, Canada, Mexico, Dominican Republic (NAS)	Degrees/Minutes	+ 6° 47'	+ 8° 11'	+ 6° 47'	+ 8° 11'	- 0° 42'	+ 0° 42'
	Decimal Degrees	+ 6.78°	+ 8.18°	+ 6.78°	+ 8.18°	- 0.70°	+ 0.70°
Rest of World	Degrees/Minutes	+ 6° 47'	+ 8° 11'	+ 6° 47'	+ 8° 11'	- 0° 42'	+ 0° 42'
	Decimal Degrees	+ 6.78°	+ 8.18°	+ 6.78°	+ 8.18°	- 0.70°	+ 0.70°

- All above figures are at “standard” height – See “Vehicle Ride Heights” section.
- Tires must be inflated to normal pressure – See “Tire Pressures” section.

Notes

XJ – Toe			
1998 up to 2003.5 MY VIN – 812317 to F59525		Total Toe	
		Min	Max
XJR Excluding NAS, and German Daimler Super-8			
All Right-Hand Drive and Japan	Degrees/Minutes	+ 0° 05'	+ 0° 25'
	Decimal Degrees	+ 0.08°	+ 0.42°
Rest of World	Degrees/Minutes	+ 0° 05'	+ 0° 25'
	Decimal Degrees	+ 0.08°	+ 0.42°
XJR NAS, and Comfort/Sports/Daimler Super-8			
All Right-Hand Drive and Japan	Degrees/Minutes	+ 0° 05'	+ 0° 25'
	Decimal Degrees	+ 0.08°	+ 0.42°
USA, Canada, Mexico, Dominican Republic (NAS)	Degrees/Minutes	+ 0° 05'	+ 0° 25'
	Decimal Degrees	+ 0.08°	+ 0.42°
Rest of World	Degrees/Minutes	+ 0° 05'	+ 0° 25'
	Decimal Degrees	+ 0.08°	+ 0.42°

- All above figures are at “showroom” height – See “Vehicle Ride Heights” section.
- Tires must be inflated to normal pressure – See “Tire Pressures” section.

XJ – Toe			
2003.5 MY onwards VIN – G00442 to Current		Total Toe	
		Min	Max
All Right-Hand Drive and Japan	Degrees/Minutes	- 0° 26'	- 0° 06'
	Decimal Degrees	- 0.43°	- 0.10°
USA, Canada, Mexico, Dominican Republic (NAS)	Degrees/Minutes	- 0° 26'	- 0° 06'
	Decimal Degrees	- 0.43°	- 0.10°
Rest of World	Degrees/Minutes	- 0° 26'	- 0° 06'
	Decimal Degrees	- 0.43°	- 0.10°

Notes

- All above figures are at “standard” height – See “Vehicle Ride Heights” section.
- Tires must be inflated to normal pressure – See “Tire Pressures” section.

XK – Camber								<u>Notes</u>
1997 MY onwards VIN – 001246 to Current		Camber						
		Left-Hand		Right-Hand		Balance (RH minus LH)		
		Min	Max	Min	Max	Min	Max	
All Right-Hand Drive and Japan	Degrees/Minutes	- 1° 17'	- 0° 17'	- 0° 45'	+ 0° 14'	- 0° 11'	+ 1° 13'	
	Decimal Degrees	- 1.28°	- 0.28°	- 0.76°	+ 0.24°	- 0.19°	+ 1.21°	
USA, Canada, Mexico, Dominican Republic (NAS)	Degrees/Minutes	- 1° 11'	- 0° 11'	- 1° 18'	- 0° 18'	- 0° 50'	+ 0° 34'	
	Decimal Degrees	- 1.18°	- 0.18°	- 1.30°	- 0.30°	- 0.83°	+ 0.57°	
Rest of World	Degrees/Minutes	- 1° 14'	- 0° 14'	- 1° 17'	- 0° 17'	- 0° 44'	+ 0° 40'	
	Decimal Degrees	- 1.24°	- 0.24°	- 1.28°	- 0.28°	- 0.74°	+ 0.66°	

- All above figures are at “showroom” height – See “Vehicle Ride Heights” section.
- Tires must be inflated to normal pressure – See “Tire Pressures” section.



XK – Castor							
1997 MY onwards VIN – 001246 to Current		Castor					
		Left-Hand		Right-Hand		Balance (RH minus LH)	
		Min	Max	Min	Max	Min	Max
All Right-Hand Drive and Japan	Degrees/Minutes	+ 6° 28'	+ 7° 52'	+ 6° 20'	+ 7° 44'	- 0° 50'	+ 0° 34'
	Decimal Degrees	+ 6.47°	+ 7.87°	+ 6.33°	+ 7.73°	- 0.84°	+ 0.57°
USA, Canada, Mexico, Dominican Republic (NAS)	Degrees/Minutes	+ 5° 52'	+ 7° 16'	+ 6° 38'	+ 8° 02'	+ 0° 04'	+ 1° 28'
	Decimal Degrees	+ 5.87°	+ 7.27°	+ 6.64°	+ 8.04°	+ 0.06°	+ 1.46°
Rest of World	Degrees/Minutes	+ 6° 15'	+ 7° 39'	+ 6° 28'	+ 7° 52'	- 0° 29'	+ 0° 55'
	Decimal Degrees	+ 6.25°	+ 7.65°	+ 6.47°	+ 7.87°	- 0.49°	+ 0.91°

Notes

- All above figures are at “showroom” height – See “Vehicle Ride Heights” section.
- Tires must be inflated to normal pressure – See “Tire Pressures” section.

XK – Toe			
1997 MY onwards VIN – 001246 to Current		Total Toe	
		Min	Max
All Right-Hand Drive and Japan	Degrees/Minutes	+ 0° 05'	+ 0° 25'
	Decimal Degrees	+ 0.08°	+ 0.42°
USA, Canada, Mexico, Dominican Republic (NAS)	Degrees/Minutes	+ 0° 05'	+ 0° 25'
	Decimal Degrees	+ 0.08°	+ 0.42°
Rest of World	Degrees/Minutes	+ 0° 05'	+ 0° 25'
	Decimal Degrees	+ 0.08°	+ 0.42°

Notes

- All above figures are at “showroom” height – See “Vehicle Ride Heights” section.
- Tires must be inflated to normal pressure – See “Tire Pressures” section.

S-TYPE – Camber								Notes
1999.25 up to 2002.5 MY VIN – L00600 to M45254		Camber						
		Left-Hand		Right-Hand		Balance (RH minus LH)		
		Min	Max	Min	Max	Min	Max	
All Right-Hand Drive and Japan	Degrees/Minutes	- 0° 45'	+ 0° 15'	- 0° 33'	+ 0° 27'	- 0° 30'	+ 0° 54'	
	Decimal Degrees	- 0.75°	+ 0.25°	- 0.55°	+ 0.45°	- 0.50°	+ 0.90°	
USA, Canada, Mexico, Dominican Republic (NAS)	Degrees/Minutes	- 0° 30'	+ 0° 30'	- 1° 06'	- 0° 06'	- 1° 18'	+ 0° 06'	
	Decimal Degrees	- 0.50°	+ 0.50°	- 1.10°	- 0.10°	- 1.30°	+ 0.10°	
Rest of World	Degrees/Minutes	- 0° 33'	+ 0° 27'	- 0° 45'	+ 0° 15'	- 0° 54'	+ 0° 30'	
	Decimal Degrees	- 0.55°	+ 0.45°	- 0.75°	+ 0.25°	- 0.90°	+ 0.50°	
<b>2002.5 MY onwards VIN – M45255 to Current</b>								
All Right-Hand Drive and Japan	Degrees/Minutes	- 1° 06'	- 0° 06'	- 0° 42'	+ 0° 18'	- 0° 18'	+ 1° 06'	
	Decimal Degrees	- 1.10°	- 0.10°	- 0.70°	+ 0.30°	- 0.30°	+ 1.10°	
USA, Canada, Mexico, Dominican Republic (NAS)	Degrees/Minutes	- 0° 42'	+ 0° 18'	- 1° 03'	- 0° 03'	- 1° 03'	+ 0° 21'	
	Decimal Degrees	- 0.70°	+ 0.30°	- 1.05°	- 0.05°	- 1.05°	+ 0.35°	
Rest of World	Degrees/Minutes	- 0° 42'	+ 0° 18'	- 0° 54'	+ 0° 06'	- 0° 54'	+ 0° 30'	
	Decimal Degrees	- 0.70°	+ 0.30°	- 0.90°	+ 0.10°	- 0.90°	+ 0.50°	

- All above figures are at “Showroom” height – See “Vehicle Ride Heights” section.
- Tires must be inflated to:
  - “normal” setting up to 2002.5 MY and
  - “up to 4 people” setting 2002.5 MY onwards – See “Tire Pressures” section.

S-TYPE – Castor								<u>Notes</u>
1999.25 up to 2002.5 MY VIN – L00600 to M45254		Castor						
		Left-Hand		Right-Hand		Balance (RH minus LH)		
		Min	Max	Min	Max	Min	Max	
All Right-Hand Drive and Japan	Degrees/Minutes	+ 7° 06'	+ 8° 30'	+ 7° 06'	+ 8° 30'	- 0° 42'	+ 0° 42'	
	Decimal Degrees	+ 7.10°	+ 8.50°	+ 7.10°	+ 8.50°	- 0.70°	+ 0.70°	
USA, Canada, Mexico, Dominican Republic (NAS)	Degrees/Minutes	+ 7° 06'	+ 8° 30'	+ 7° 06'	+ 8° 30'	- 0° 42'	+ 0° 42'	
	Decimal Degrees	+ 7.10°	+ 8.50°	+ 7.10°	+ 8.50°	- 0.70°	+ 0.70°	
Rest of World	Degrees/Minutes	+ 7° 06'	+ 8° 30'	+ 7° 06'	+ 8° 30'	- 0° 42'	+ 0° 42'	
	Decimal Degrees	+ 7.10°	+ 8.50°	+ 7.10°	+ 8.50°	- 0.70°	+ 0.70°	
<b>2002.5 MY onwards VIN – M45255 to Current</b>								
All Right-Hand Drive and Japan	Degrees/Minutes	+ 6° 11'	+ 7° 35'	+ 5° 38'	+ 7° 02'	- 1° 15'	+ 0° 09'	
	Decimal Degrees	+ 6.18°	+ 7.58°	+ 5.63°	+ 7.03°	- 1.25°	+ 0.15°	
USA, Canada, Mexico, Dominican Republic (NAS)	Degrees/Minutes	+ 5° 54'	+ 7° 18'	+ 6° 03'	+ 7° 27'	- 0° 34'	+ 0° 50'	
	Decimal Degrees	+ 5.91°	+ 7.31°	+ 6.04°	+ 7.44°	- 0.56°	+ 0.84°	
Rest of World	Degrees/Minutes	+ 5° 54'	+ 7° 18'	+ 5° 54'	+ 7° 18'	- 0° 42'	+ 0° 42'	
	Decimal Degrees	+ 5.91°	+ 7.31°	+ 5.91°	+ 7.31°	- 0.70°	+ 0.70°	

- All above figures are at “Showroom” height – See “Vehicle Ride Heights” section.
- Tires must be inflated to:
  - “normal” setting up to 2002.5 MY and
  - “up to 4 people” setting 2002.5 MY onwards – See “Tire Pressures” section.

S-TYPE – Toe			
1999.25 up to 2002.5 MY VIN – L00600 to M45254		Total Toe	
		Min	Max
All Right-Hand Drive and Japan	Degrees/Minutes	0° 00'	+ 0° 20'
	Decimal Degrees	0.00°	+ 0.34°
USA, Canada, Mexico, Dominican Republic (NAS)	Degrees/Minutes	0° 00'	+ 0° 20'
	Decimal Degrees	0.00°	+ 0.34°
Rest of World	Degrees/Minutes	0° 00'	+ 0° 20'
	Decimal Degrees	0.00°	+ 0.34°

Notes

S-TYPE – Toe			
2002.5 MY onwards VIN – M45255 to Current		Total Toe	
		Min	Max
All Right-Hand Drive and Japan	Degrees/Minutes	- 0° 22'	- 0° 02'
	Decimal Degrees	- 0.37°	- 0.03°
USA, Canada, Mexico, Dominican Republic (NAS)	Degrees/Minutes	- 0° 22'	- 0° 02'
	Decimal Degrees	- 0.37°	- 0.03°
Rest of World	Degrees/Minutes	- 0° 22'	- 0° 02'
	Decimal Degrees	- 0.37°	- 0.03°

- All figures are at “Showroom” height. See “Vehicle Ride Heights” section.
- Tires must be inflated to:
  - “normal” setting up to 2002.5 MY and
  - “up to 4 people” setting 2002.5 MY onwards
  - See “Tire Pressures” section.

Notes

X-TYPE – Camber							
2001.5 MY onwards VIN – C00344 to Current		Camber					
		Left-Hand		Right-Hand		Balance (RH minus LH)	
		Min	Max	Min	Max	Min	Max
All Markets	Degrees/Minutes	- 1° 02'	- 0° 02'	- 1° 02'	- 0° 02'	- 0° 42'	+ 0° 42'
	Decimal Degrees	- 1.04°	- 0.04°	- 1.04°	- 0.04°	- 0.70°	+ 0.70°

- All above figures are with 20 liters of fuel.
- Tires must be inflated to normal pressure – See “Tire Pressures” section.

X-TYPE – Castor							
2001.5 MY onwards VIN – C00344 to Current		Castor					
		Left-Hand		Right-Hand		Balance (RH minus LH)	
		Min	Max	Min	Max	Min	Max
All Markets	Degrees/Minutes	+ 1° 59'	+ 2° 59'	+ 1° 59'	+ 2° 59'	- 0° 30'	+ 0° 30'
	Decimal Degrees	+ 1.98°	+ 2.98°	+ 1.98°	+ 2.98°	- 0.50°	+ 0.50°

- All above figures are with 20 liters of fuel.
- Tires must be inflated to normal pressure – See “Tire Pressures” section.

X-TYPE – Toe			
2001.5 MY onwards VIN – C00344 to Current		Total Toe	
		Min	Max
All Markets	Degrees/Minutes	- 0° 16'	+ 0° 04'
	Decimal Degrees	- 0.27°	+ 0.07°

Notes

- All above figures are with 20 liters of fuel.
- Tires must be inflated to normal pressure – See “Tire Pressures” section.

XJ – Camber							
1998 up to 2003.5 MY VIN – 812317 to F59525		Camber					
		Left-Hand		Right-Hand		Balance (RH minus LH)	
		Min	Max	Min	Max	Min	Max
All Markets	Degrees/Minutes	- 1° 12'	- 0° 06'	- 1° 12'	- 0° 06'	- 1° 00'	+ 1° 00'
	Decimal Degrees	- 1.20°	- 0.10°	- 1.20°	- 0.10°	- 1.00°	+ 1.00°
2003.5 MY onwards VIN – G00442 to Current							
All Markets	Degrees/Minutes	- 1° 38'	- 0° 08'	- 1° 38'	- 0° 08'	- 0° 45'	+ 0° 45'
	Decimal Degrees	- 1.64°	- 0.14°	- 1.64°	- 0.14°	- 0.75°	+ 0.75°

Notes

- 1998 up to 2003.5 MY figures are at “showroom” height – See “Vehicle Ride Heights” section.
- 2003.5 MY onwards figures are at “standard” height – See “Vehicle Ride Heights” section.
- Tires must be inflated to normal pressure – See “Tire Pressures” section.



**XJ – Toe**

Notes

1998 up to 2003.5 MY VIN – 812317 to F59525		Toe							
		Left-Hand		Right-Hand		Total Toe		Thrust Angle	
		Min	Max	Min	Max	Min	Max	Min	Max
All Markets	Degrees/Minutes	+ 0° 5'	+ 0° 15'	+ 0° 5'	+ 0° 15'	+ 0° 10'	+ 0° 30'	- 0° 05'	+ 0° 05'
	Decimal Degrees	+ 0.08°	+ 0.25°	+ 0.08°	+ 0.25°	+ 0.17°	+ 0.50°	- 0.08°	+ 0.08°
2003.5 MY onwards VIN – G00442 to Current									
All Markets	Degrees/Minutes	- 0° 01'	+ 0° 11'	- 0° 01'	+ 0° 11'	0° 00'	+ 0° 20'	- 0° 06'	+ 0° 06'
	Decimal Degrees	- 0.02°	+ 0.18°	- 0.02°	+ 0.18°	0.00°	+ 0.33°	- 0.10°	+ 0.10°

- 1998 up to 2003.5 MY figures are at “showroom” height – See “Vehicle Ride Heights” section.
- 2003.5 MY onwards figures are at “standard” height – See “Vehicle Ride Heights” section.
- Tires must be inflated to normal pressure – See “Tire Pressures” section.

XK – Camber							
1997 MY onwards VIN – 001246 to Current		Camber					
		Left-Hand		Right-Hand		Balance (RH minus LH)	
		Min	Max	Min	Max	Min	Max
All Markets	Degrees/Minutes	- 0° 54'	- 0° 06'	- 0° 54'	- 0° 06'	- 1° 00'	+ 1° 00'
	Decimal Degrees	- 0.90°	- 0.10°	- 0.90°	- 0.10°	- 1.00°	+ 1.00°

Notes

- All above figures are at “showroom” height – See “Vehicle Ride Heights” section.
- Tires must be inflated to normal pressure – See “Tire Pressures” section.

XK – Toe									
1997 MY onwards VIN – 001246 to Current		Toe							
		Left-Hand		Right-Hand		Total Toe		Thrust Angle	
		Min	Max	Min	Max	Min	Max	Min	Max
All Markets	Degrees/Minutes	+ 0° 5'	+ 0° 15'	+ 0° 5'	+ 0° 15'	+ 0° 10'	+ 0° 30'	- 0° 05'	+ 0° 05'
	Decimal Degrees	+ 0.08°	+ 0.25°	+ 0.08°	+ 0.25°	+ 0.17°	+ 0.50°	- 0.08°	+ 0.08°

- All above figures are at “showroom” height – See “Vehicle Ride Heights” section.
- Tires must be inflated to normal pressure – See “Tire Pressures” section.

S-TYPE – Camber								Notes
1999.25 up to 2002.5 MY VIN – L00600 to M45254		Camber						
		Left-Hand		Right-Hand		Balance (RH minus LH)		
		Min	Max	Min	Max	Min	Max	
All Markets	Degrees/Minutes	- 1° 45'	- 0° 15'	- 1° 45'	- 0° 15'	- 0° 45'	+ 0° 45'	
	Decimal Degrees	- 1.75°	- 0.25°	- 1.75°	- 0.25°	- 0.75°	+ 0.75°	
2002.5 MY onwards VIN – M45255 to Current								
All Markets	Degrees/Minutes	- 1° 17'	+ 0° 13'	- 1° 17'	+ 0° 13'	- 0° 45'	+ 0° 45'	
	Decimal Degrees	- 1.29°	+ 0.21°	- 1.29°	+ 0.21°	- 0.75°	+ 0.75°	

- All above figures are at “Showroom” height – See “Vehicle Ride Heights” section.
- Tires must be inflated to:
  - “normal” setting up to 2002.5 MY and
  - “up to 4 people” setting 2002.5 MY onwards – See “Tire Pressures” section.

S-TYPE – Toe										<u>Notes</u>
1999.25 up to 2002.5 MY VIN – L00600 to M45254		Toe								
		Left-Hand		Right-Hand		Total Toe		Thrust Angle		
		Min	Max	Min	Max	Min	Max	Min	Max	
All Markets	Degrees/Minutes	+ 0° 01'	+ 0° 13'	+ 0° 01'	+ 0° 13'	+ 0° 05'	+ 0° 25'	- 0° 06'	+ 0° 06'	
	Decimal Degrees	+ 0.02°	+ 0.22°	+ 0.02°	+ 0.22°	+ 0.08°	+ 0.42°	- 0.10°	+ 0.10°	
<b>2002.5 MY onwards VIN – M45255 to Current</b>										
All Markets (Naturally Aspirated)	Degrees/Minutes	- 0° 01'	+ 0° 11'	- 0° 01'	+ 0° 11'	0° 00'	+ 0° 20'	- 0° 06'	+ 0° 06'	
	Decimal Degrees	- 0.02°	+ 0.18°	- 0.02°	+ 0.18°	0.00°	+ 0.33°	- 0.10°	+ 0.10°	
All Markets (Supercharged)	Degrees/Minutes	+ 0° 02'	+ 0° 14'	+ 0° 02'	+ 0° 14'	+ 0° 05'	+ 0° 25'	- 0° 06'	+ 0° 06'	
	Decimal Degrees	+ 0.03°	+ 0.23°	+ 0.03°	+ 0.23°	+ 0.08°	+ 0.42°	- 0.10°	+ 0.10°	

- All above figures are at “Showroom” height – See “Vehicle Ride Heights” section.
- Tires must be inflated to:
  - “normal” setting up to 2002.5 MY and
  - “up to 4 people” setting 2002.5 MY onwards – See “Tire Pressures” section.

X-TYPE – Camber							
2001.5 MY onwards VIN – C00344 to Current		Camber					
		Left-Hand		Right-Hand		Balance (RH minus LH)	
		Min	Max	Min	Max	Min	Max
All Markets	Degrees/Minutes	- 1° 12'	- 0° 12'	- 1° 12'	- 0° 12'	- 0° 30'	+ 0° 30'
	Decimal Degrees	- 1.20°	- 0.20°	- 1.20°	- 0.20°	- 0.50°	+ 0.50°

Notes

- All above figures are with 20 liters of fuel.
- Tires must be inflated to normal pressure – See “Tire Pressures” section.

X-TYPE – Toe									
2001.5 MY onwards VIN – C00344 to Current		Toe							
		Left-Hand		Right-Hand		Total Toe		Thrust Angle	
		Min	Max	Min	Max	Min	Max	Min	Max
All Markets	Degrees/Minutes	+ 0° 2'	+ 0° 14'	+ 0° 2'	+ 0° 14'	+ 0° 05'	+ 0° 25'	- 0° 06'	+ 0° 06'
	Decimal Degrees	+ 0.03°	+ 0.23°	+ 0.03°	+ 0.23°	+ 0.08°	+ 0.42°	- 0.10°	+ 0.10°

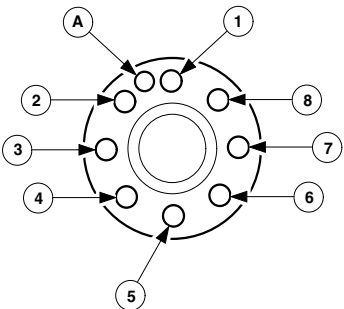
- All above figures are with 20 liters of fuel.
- Tires must be inflated to normal pressure – See “Tire Pressures” section.

VIN		Model Year		Nut Torque Aluminium-Wheel		Nut Torque Steel-Wheel		<u>Notes</u>
From	To	From	To	Nm	lbf ft	Nm	lbf ft	
<b>XJ</b>								
812317	878717	1998	1999	88 – 102	65 – 75	68 – 82	50 – 60	
F00103	F59525	2000	2003.5	88 – 102	65 – 75	–	–	
G00442	Current	2003.5	Onwards	115 – 135	85 – 100	–	–	
<b>XK</b>								
001246	042775	1997	1999	88 – 102	65 – 75	68 – 82	50 – 60	
A00116	Current	2000	Onwards	88 – 102	65 – 75	–	–	
<b>S-TYPE</b>								
L00600	Current	1999.25	Onwards	115 – 135	85 – 100	–	–	
<b>X-TYPE</b>								
C00344	Current	2001.5	Onwards	88 – 118	65 – 87	68 – 92	50 – 68	

**To convert Nm to lbf ft:  
Divide the Nm torque figure by 1.356**

Component	Torque	<u>Notes</u>
Air Temperature Sensor (supercharged only)	35 Nm	
Camshaft Bearing Cap	10 Nm	
Camshaft Sensor	7 Nm	
Charge – Air Cooler Adapter	21 Nm	
Charge – Air Cooler to adaptor	12 Nm	
Coolant Pump	8 Nm + 90 degrees	
Crankshaft Damper Pulley – Bolt	375 Nm	
Crankshaft Position Sensor	7 Nm	
Cylinder Head Bolts	See: Tightening Torques and Sequence – Cylinder Heads Section.	
Cylinder Head Cover	10 Nm	

To convert Nm to lbf ft:  
 Divide the Nm torque figure by 1.356

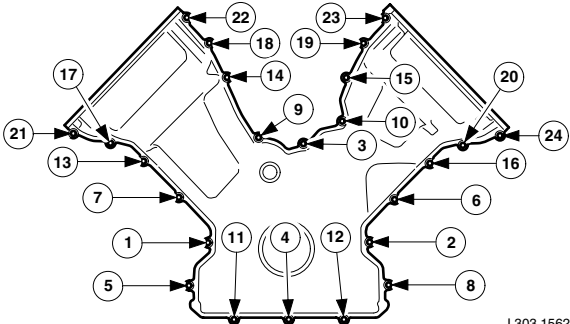
Component	Torque	<u>Notes</u>
<p>Drive Plate</p>  <p style="text-align: right;">J.303.1563</p>	<p>A = Dowel</p> <ol style="list-style-type: none"> <li>1. Tighten to 15 Nm in order: 1, 5, 3, 7, 2, 6, 4, 8.</li> <li>2. Tighten to 110 Nm in order: 1, 5, 3, 7, 2, 6, 4, 8.</li> </ol>	
Engine Mounting Bracket to Engine	40 Nm	
Exhaust Manifold	See: Tightening Torques and Sequence – Intake and Exhaust Manifolds Section.	
Ignition Coil	5 Nm	
Intake Manifold	See: Tightening Torques and Sequence – Intake and Exhaust Manifolds Section.	
Knock Sensor	20 Nm (nut)	

**To convert Nm to lbf ft:  
Divide the Nm torque figure by 1.356**

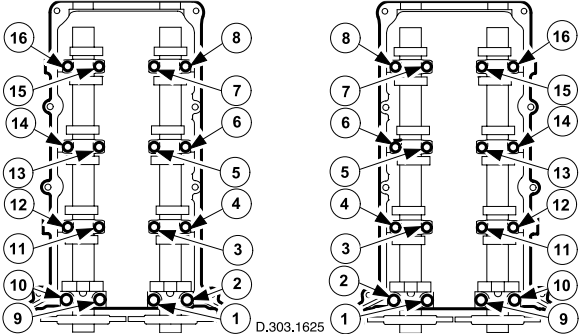


Component	Torque	<u>Notes</u>
Oil Diverter Valve	12 Nm	
Oil Filter	18 Nm exact	
Oil Filter Adapter	30 Nm	
Oil Filter Head	21 Nm	
Oil Pan	12 Nm (Refer to GTR for sequence)	
Oil Pan Baffle (windage tray)	6 Nm	
Oil Pan Body to Lower Cylinder Block	21 Nm	
Oil Pick-up Pipe	12 Nm	
Oil Pressure Switch	12 Nm	
Oil Pump	12 Nm	
Oil Temperature Sensor	20 Nm	
Piston Cooling Jets	9 Nm	
Spark Plugs	28 Nm	
Starter Motor	43 Nm	
Supercharger	21 Nm	

To convert Nm to lbf ft:  
Divide the Nm torque figure by 1.356

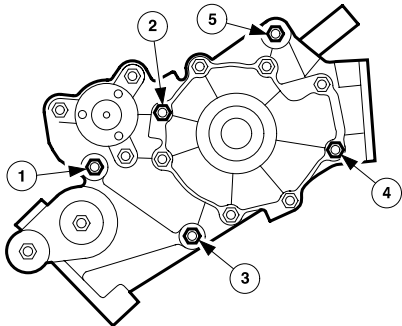
Component	Torque	Notes
Thermostat Housing	10 Nm	
Timing Chain Cover  <p style="text-align: right; font-size: small;">J.303.1562</p>	12 Nm – Tighten in sequence shown.	

**To convert Nm to lbf ft:**  
 Divide the Nm torque figure by 1.356

Component	Torque	Notes
Accessory Drive – Belt Tensioner	48 Nm	
Accessory Drive – Idler Pulley	25 Nm (grooved) 48 Nm (smooth X-TYPE)	
Air Conditioning Compressor	25 Nm	
Air Conditioning Compressor Mounting-Bracket	25 Nm	
Camshaft Bearing Caps  <p style="text-align: center;">Front of Engine</p>	10 Nm – Tighten in sequence shown	
Camshaft Sensor	7 Nm	

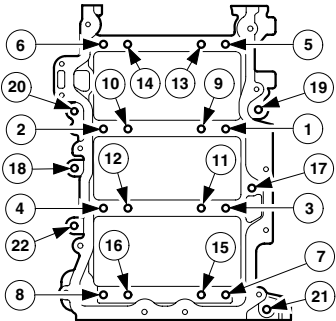
**To convert Nm to lbf ft:**  
**Divide the Nm torque figure by 1.356**

Component	Torque	Notes
Clutch Pressure Plate	23 Nm – work across pressure plate in a diagonal pattern.	
Coolant Pump (S-TYPE and X)	25 Nm	
Coolant Pump (X-TYPE)	<p>Tighten in sequence below:</p> <ul style="list-style-type: none"> <li>• Tighten bolt (1) to 5 Nm.</li> <li>• Tighten bolt (2) to 5 Nm.</li> <li>• Tighten bolts (3) (4) (5) to 5 Nm.</li> <li>• Tighten bolt (1) to 10 Nm.</li> <li>• Tighten bolt (2) to 10 Nm.</li> <li>• Tighten bolts (3) (4) (5) to 10 Nm.</li> </ul>	
Coolant Pump Pulley (X-TYPE)	10 Nm	



303 1749

To convert Nm to lbf ft:  
 Divide the Nm torque figure by 1.356

Component	Torque	Notes
Crankshaft Damper Pulley	<ol style="list-style-type: none"> <li>1. Pre-torque to 120 Nm.</li> <li>2. Loosen Bolt 360 degrees.</li> <li>3. Torque to 50 Nm.</li> <li>4. Rotate Bolt Clockwise 85 degrees, continue rotating to a maximum of 95 degrees, or 200 Nm.</li> </ol>	
Crankshaft Position Sensor	10 Nm	
Cylinder Block Lower, to Cylinder Block Upper   <p style="text-align: right; font-size: small;">J.303.1559</p>	Tighten in sequence below: <ol style="list-style-type: none"> <li>1. 1 through to 8 – tighten to 25 Nm.</li> <li>2. 9 through to 16 – tighten to 40 Nm.</li> <li>3. 1 through to 16 – rotate 90 degrees.</li> <li>4. 17 through to 22 – tighten to 25 Nm.</li> </ol>	
Cylinder Head Bolts	See: Tightening Torques and Sequence – Cylinder Heads Section.	

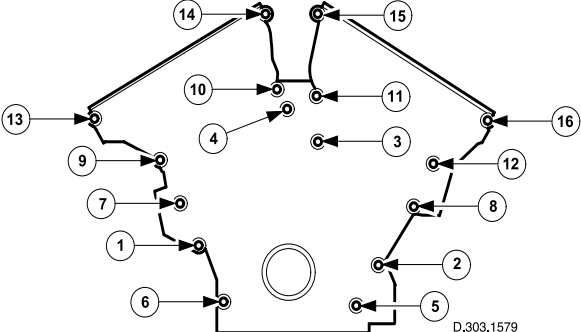
**To convert Nm to lbf ft:  
Divide the Nm torque figure by 1.356**

Component	Torque	<u>Notes</u>
Cylinder Head Cover	10 Nm	
Cylinder Head Temperature Sensor	15 Nm	
Exhaust Manifold	See: Tightening Torques and Sequence – Intake and Exhaust Manifolds Section.	
Generator	48 Nm (25 Nm X-TYPE lower bolt)	
Ignition Coil	7 Nm	
Intake Air Control Valve	10 Nm	
Intake Manifold – Lower	10 Nm	
Intake Manifold – Upper	See: Tightening Torques and Sequence – Intake and Exhaust Manifolds Section.	
Knock Sensor	25 Nm	
Oil Cooler	58 Nm	
Oil Filter	14 to 17 Nm	
Oil Filter and Engine Mounting Assembly	Tighten in sequence below: <ol style="list-style-type: none"> <li>1. Tighten M22 bolt to 30 Nm.</li> <li>2. Tighten M10 bolt to 26 Nm.</li> <li>3. Tighten M8 bolt to 26 Nm.</li> <li>4. Tighten M22 bolt to 155 Nm.</li> <li>5. Tighten M10 bolt to 40 Nm and then rotate 90 degrees.</li> </ol>	
Oil Gauge Tube	10 Nm	
Oil Pan Baffle	5 Nm and then rotate 45 degrees.	

**To convert Nm to lbf ft:  
Divide the Nm torque figure by 1.356**

Component	Torque	Notes
Oil Pan Drain Plug	23 Nm	
Oil Pan to Cylinder Block	25 Nm	
Oil Pick-up Pipe	bolt – 10 Nm nut – 5 Nm + 45 degrees, (or until 17 Nm maximum).	
Oil Pressure Switch	16 Nm	
Oil Pump to Cylinder Block	10 Nm	
Oil Separator to Cylinder Block (S-TYPE)	10 Nm	
Oil Temperature Sensor	14 Nm	
Power Steering Idler – Pulley Bracket	25 Nm	
Power Steering Pump	25 Nm	
Spark Plugs	15 Nm	

To convert Nm to lbf ft:  
Divide the Nm torque figure by 1.356

Component	Torque	Notes
Throttle Body	10 Nm	
Timing Chain Cover  <p style="text-align: right; font-size: small;">D.303.1579</p>	25 Nm – Tighten in sequence shown.  X-TYPE only bolts 3, 4, 10, 11 30 Nm + 45 degrees	

**To convert Nm to lbf ft:**  
**Divide the Nm torque figure by 1.356**



Component	Torque	<u>Notes</u>
Accessory Drive Belt (front) – Idler Pulley Mounting Bracket	83 Nm	
Accessory Drive Belt (front) – Idler to Mounting Bracket	47 Nm	
Accessory Drive Belt (front) – Tensioner	47 Nm	
Accessory Drive Belt (rear) – Camshaft Pulley	80 Nm + 90 degrees	
Accessory Drive Belt (rear) – Tensioner Bolt	25 Nm	
Air Conditioning Compressor	23 Nm	
Air Conditioning Compressor – Mounting Bracket to Engine	23 Nm	
Camshaft Pulley	23 Nm	
Camshaft Sensor	10 Nm	
Clutch Pressure Plate	26 Nm	
Coolant Inlet Connector	10 Nm	
Coolant Outlet Assembly	10 Nm	
Coolant Pump	10 Nm	
Coolant Pump Pulley	23 Nm	
Crankcase Ventilation Separator to Engine	Nut – 24 Nm, Bolt – 10 Nm	
Crankshaft – Rear Oil Seal Retainer	10 Nm	
Crankshaft Damper Pulley	25 Nm	
Crankshaft Position Sensor	5 Nm	
Crankshaft Timing Plug	23 Nm	
Cylinder Head	See: Tightening Torques and Sequence – Cylinder Heads Section.	

**To convert Nm to lbf ft:  
Divide the Nm torque figure by 1.356**

Component	Torque	<u>Notes</u>
EGR Cooler Inlet Elbow to Exhaust Manifold	10 Nm	
EGR Cooler to Engine	10 Nm	
EGR Valve – Exhaust Outlet Tube	10 Nm	
Engine Mounting Bracket to Engine	90 Nm	
Exhaust Manifold	See: Tightening Torques and Sequence – Intake and Exhaust Manifolds Section.	
Generator Mounting Bracket to Engine	23 Nm	
Generator to Mounting Bracket	47 Nm	
Glow Plug	11 Nm	
Intake Manifold and Camshaft Cover	See: Tightening Torques and Sequence – Intake and Exhaust Manifolds Section.	
Knock Sensor	20 Nm	
Oil Cooler to Engine	10 Nm	
Oil Drain Plug	23 Nm	
Oil Filter Cap	23 Nm	
Oil Level Tube – Lower Fixing	18 Nm	
Oil Level Tube – Upper Fixing	5 Nm	
Oil Pan	10 Nm	
Oil Pick-up Pipe	10 Nm	
Oil Pressure Switch	14 Nm	
Oil Pump	10 Nm	

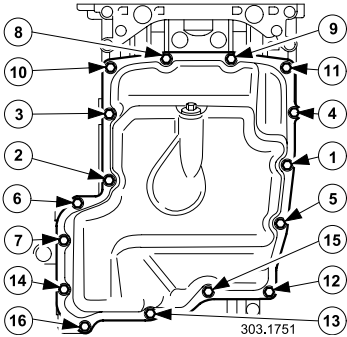
**To convert Nm to lbf ft:  
Divide the Nm torque figure by 1.356**

Component	Torque	<u>Notes</u>
PAS Pump	22 Nm	
PAS pump – Mounting Bracket to Engine	23 Nm	
PAS Pump Pulley	21 Nm	
Piston Cooling Jets	10 Nm	
Primary Drive Belt Cover	10 Nm	
Primary Timing Belt – Idler Pulley	45 Nm	
Primary Timing Belt Tensioner	26 Nm	
Turbocharger Heat Shield	11 Nm	
Turbocharger Oil Drain Tube to Engine and Turbocharger	10 Nm	
Turbocharger Oil Feed Tube to Engine	9 Nm	
Vacuum Pump	Stud – 13 Nm Bolt – 22 Nm Pipe Bracket Bolt – 10 Nm	

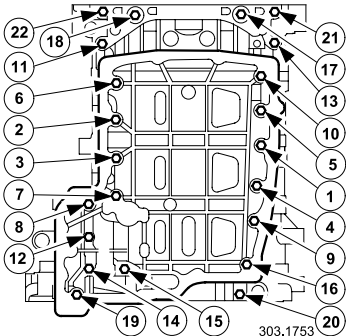
To convert Nm to lbf ft:  
Divide the Nm torque figure by 1.356

Component	Torque	<u>Notes</u>
Accessory Drive (rear) – Tensioner	23 Nm	
Camshaft Position Sensor	9 Nm	
Camshaft Pulley (rear)	64 Nm	
Camshaft Sprocket	33 Nm	
Coolant Pump	23 Nm	
Crankshaft Position Sensor	7 Nm	
Crankshaft Sprocket	36 Nm	
Cylinder Head Bolts	See: Tightening Torques and Sequence – Cylinder Heads Section.	
Cylinder Head Cover	10 Nm	
Cylinder Head Temperature Sensor	11 Nm	
EGR Cooler to Manifold	37 Nm	
Fuel High-pressure Pump	22 Nm	
Fuel High-pressure Pump Sprocket	33 Nm	
Fuel Injectors	47 Nm	
Glow Plug	13 Nm	
Knock Sensor	20 Nm	
Oil Filter / Cooler to Engine Block	23 Nm	
Oil Filter Cap	23 Nm	
Oil Filter Drain Plug	10 Nm	

**To convert Nm to lbf ft:  
Divide the Nm torque figure by 1.356**

Component	Torque	Notes
<p>Oil Pan</p> 	<p>Pre-torque to 7 Nm and tighten to 14 Nm in sequence shown.</p>	
Oil Pan Drain Plug	23 Nm	
Oil Pick-up Pipe	10 Nm	
Oil Pressure Switch	15 Nm	
Oil Pump	10 Nm	
Piston Cooling Jet	10 Nm	
Power Steering Pump to Coolant Pump	18 Nm	

**To convert Nm to lbf ft:  
Divide the Nm torque figure by 1.356**

Component	Torque	<u>Notes</u>
Rocker Shaft	13 Nm + 45 degrees (always use new bolts)	
Stiffening frame	 <p data-bbox="861 430 1242 453">23 Nm – Tighten in sequence shown.</p>	
Thermostat Housing to Vacuum Pump	23 Nm	
Timing Chain Guides	16 Nm	
Timing Chain Tensioner	14 Nm	
Timing Chain Tensioner Blade	14 Nm	
Vacuum Pump to Engine	23 Nm	

**To convert Nm to lbf ft:**  
**Divide the Nm torque figure by 1.356**

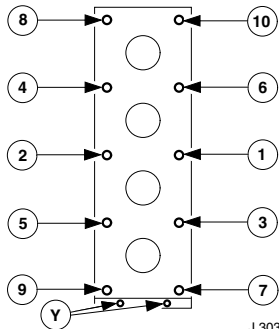
## V8 Gasoline Engine

### Tightening Torques in Nm and Degrees of Rotation

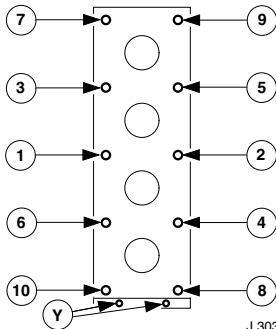
Cylinder head bolts can be used twice, for reference purposes mark for re-use.

Step	Apply each step in sequence shown:
1	Tighten bolts 1 to 10 to 20 Nm
2	Tighten bolts 1 to 10 to 35 Nm
3	Tighten bolts 1 to 10, 90 degrees
4	Tighten bolts 1 to 10, 90 degrees
5	Tighten bolts marked Y to 23 Nm

Notes



J.303.1544



J.303.1545

Bank 1

front of engine

Bank 2

To convert Nm to lbf ft:  
Divide the Nm torque figure  
by 1.356

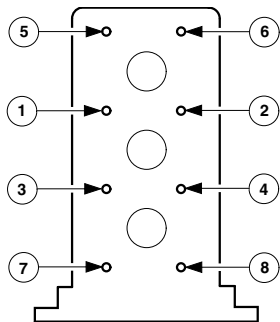
## V6 Gasoline Engine

### Tightening Torques in Nm and Degrees of Rotation

Use new bolts and washers.

Step	Apply each step in sequence shown to both cylinder heads.
1	Tighten to 30 Nm
2	Tighten 90 degrees
3	Loosen 360 degrees
4	Tighten to 30 Nm
5	Tighten 90 degrees
6	Tighten 90 degrees

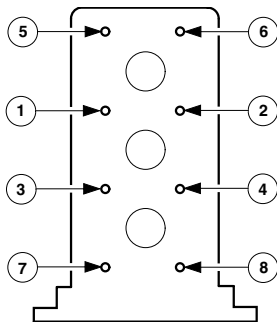
### Notes



D.303.1624

Bank 1

front of engine



D.303.1624

Bank 2

To convert Nm to lbf ft:  
Divide the Nm torque figure  
by 1.356



## V6 Diesel Engine

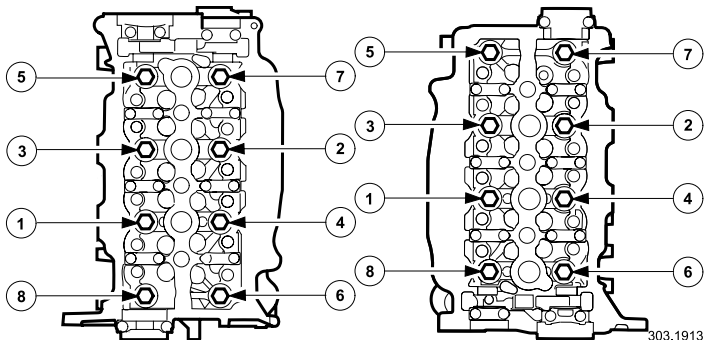
### Tightening Torques in Nm and Degrees of Rotation

Use new bolts.

**Step** Apply each step in sequence shown to both cylinder heads

1	Tighten to 20 Nm
2	Tighten to 40 Nm
3	Tighten to 80 Nm
4	Tighten 180 degrees

### Notes



Bank 1

front of engine

Bank 2

To convert Nm to lbf ft:  
Divide the Nm torque figure  
by 1.356

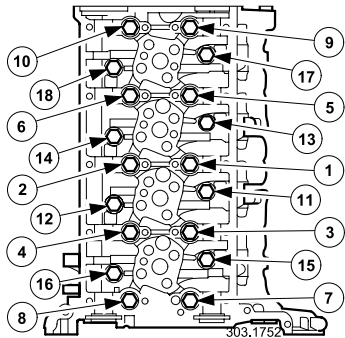
## 2.0 Liter Diesel Engine

Notes

### Tightening Torques in Nm and Degrees of Rotation

Use new bolts.

Step	Apply each step in sequence shown.	Step	
1	Bolts 1 through 10 to 20 Nm	4	Bolts 11 through 18 to 20 Nm
2	Bolts 11 through 18 to 10 Nm	5	Bolts 1 through 10 to 180 degrees
3	Bolts 1 through 10 to 40 Nm	8	Bolts 11 through 18 to 180 degrees



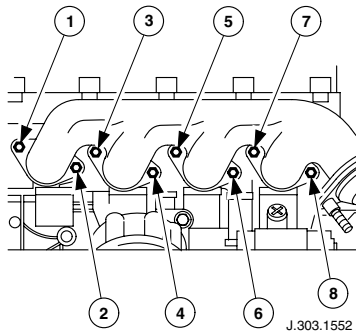
front of engine

To convert Nm to lbf ft:  
Divide the Nm torque figure by 1.356

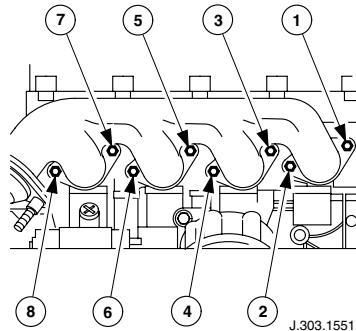
V8 Gasoline Engine – up to S-TYPE 2002.5 MY, XK 2003 MY, XJ 2003.5 MY

Notes

LH Exhaust Manifold



RH Exhaust Manifold



- Slightly tighten bolts 5 and 6 to align manifold.
- Tighten in sequence shown to 18 Nm for XJ and XK.
- Tighten in sequence shown to 23 Nm for S-TYPE.

Intake Manifold

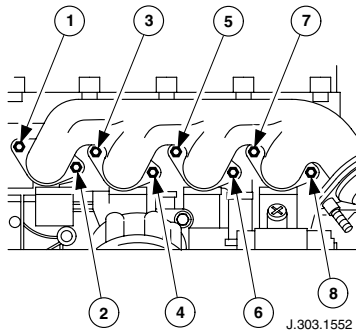
21 Nm

To convert Nm to lbf ft:  
Divide the Nm torque figure by 1.356

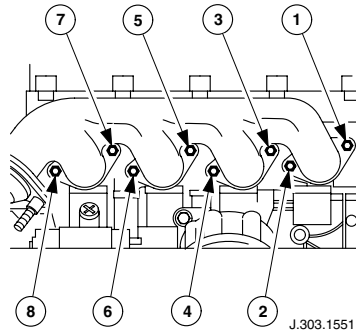
V8 Gasoline Engine – S-TYPE 2002.5 MY, XK 2003 MY, XJ 2003.5 MY onwards

Notes

LH Exhaust Manifold



RH Exhaust Manifold



- Fit guide pins to holes 1 and 7.
- Fit bolts to remaining holes and torque to 3 Nm.
- Replace guide pins with bolts and tighten to 3 Nm.
- Tighten bolts to 24 Nm in following sequence: 5, 4, 6, 3, 7, 2, 8, 1.

**Intake Manifold**

21 Nm

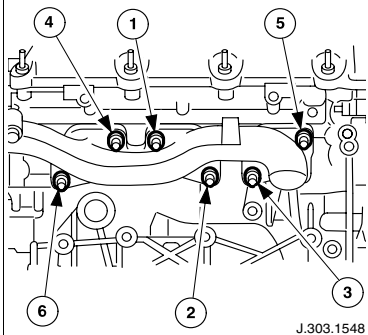
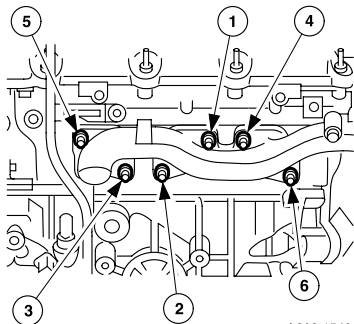
To convert Nm to lbf ft:  
Divide the Nm torque figure by 1.356

V6 Gasoline Engine (S-TYPE and X)

Notes

LH Exhaust Manifold

RH Exhaust Manifold



- Tighten studs to 10 Nm
- Tighten nuts in sequence shown to 20 Nm

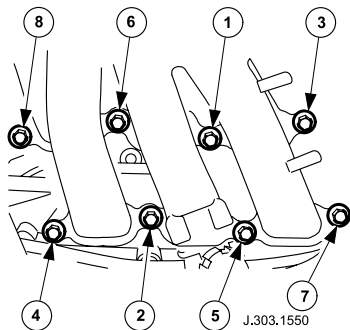
- Tighten studs to 10 Nm
- Tighten nuts in sequence shown to 20 Nm

**To convert Nm to lbf ft:  
Divide the Nm torque figure by 1.356**

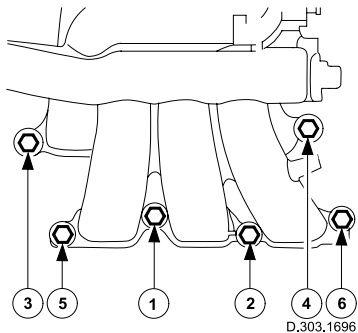
Notes

V6 Gasoline Engine (S-TYPE and XJ)

Intake Manifold up to 2002.5 MY



Intake Manifold 2002.5 MY onwards



• Tighten in sequence shown to 10 Nm

• Tighten in sequence shown to 10 Nm

To convert Nm to lbf ft:  
Divide the Nm torque figure by 1.356

V6 Diesel Engine (S-TYPE)	
Intake Manifold	10 Nm
Exhaust Manifold	24 Nm

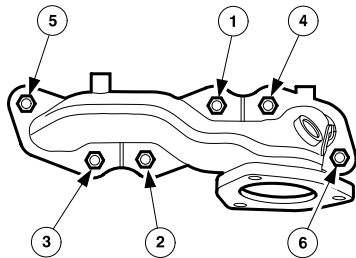
Notes

To convert Nm to lbf ft:  
Divide the Nm torque figure by 1.356

V6 Gasoline Engine (X-TYPE)

Notes

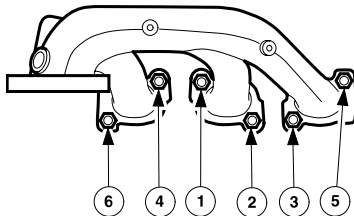
LH Exhaust Manifold



D.303.1585

- Tighten studs to 10 Nm
- Tighten nuts in sequence shown to 20 Nm

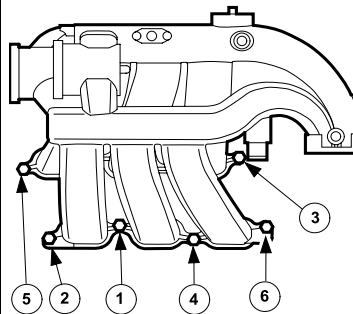
RH Exhaust Manifold



D.303.1584

- Tighten studs to 10 Nm
- Tighten nuts in sequence shown to 20 Nm

Intake Manifold



D.303.1623

- Tighten in sequence shown to 10 Nm

(Use same sequence for the 2.0 liter gasoline engine manifold)

To convert Nm to lbf ft:  
Divide the Nm torque figure by 1.356

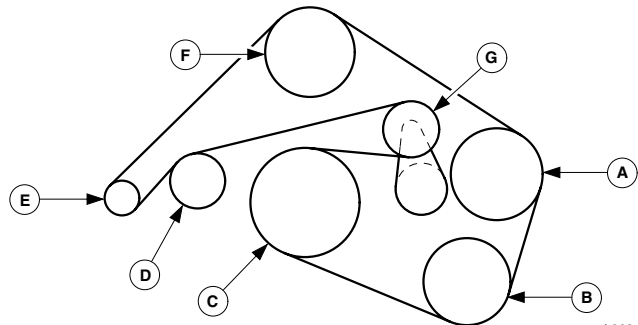


**2.0 Liter Diesel Engine (X-TYPE)**Notes

Intake Manifold	Bolt 15 Nm – Nut 10 Nm
Exhaust Manifold	40 Nm

V8 Gasoline (XJ and XK, also S-TYPE 2002.5 MY onwards)

Notes



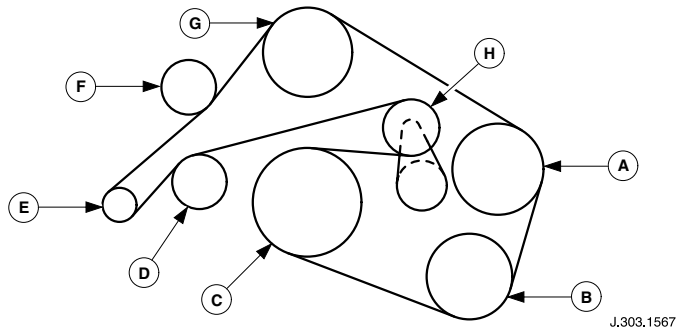
J.303.1565

- A = Power Steering Pump
- B = Air Conditioning Compressor
- C = Crankshaft Pulley
- D = Idler

- E = Generator
- F = Coolant Pump
- G = Tensioner

V8 Gasoline (S-TYPE up to 2002.5 MY)

Notes

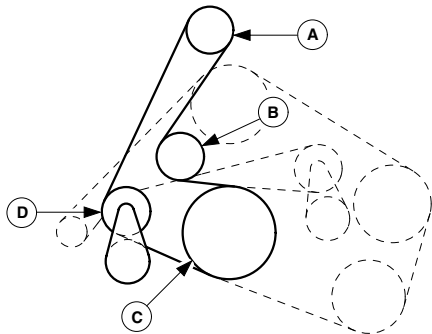


- A = Power Steering Pump
- B = Air Conditioning Compressor
- C = Crankshaft Pulley
- D = Idler

- E = Generator
- F = Idler
- G = Coolant Pump
- H = Tensioner

V8 Gasoline Supercharged (XJ and XK, also S-TYPE 2002.5 MY onwards)

Notes

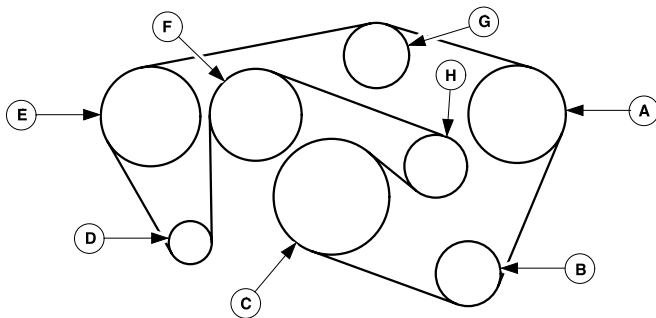


J.303.1566

- A = Supercharger
- B = Idler
- C = Crankshaft Pulley
- D = Tensioner

## V6 Gasoline (S-TYPE and X)

Notes



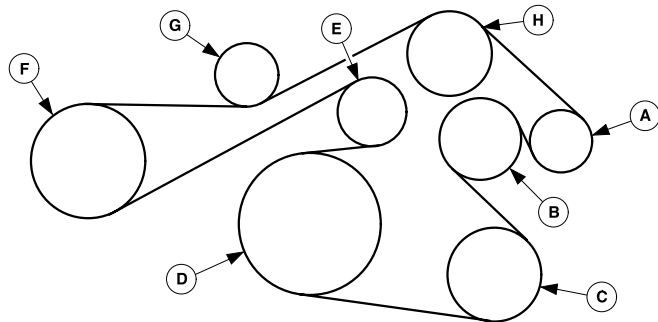
J.303.1564

- A = Power Steering Pump
- B = Air Conditioning Compressor
- C = Crankshaft Pulley
- D = Generator

- E = Idler Pulley
- F = Coolant Pump
- G = Idler Pulley
- H = Tensioner

## V6 Gasoline (X-TYPE)

Notes

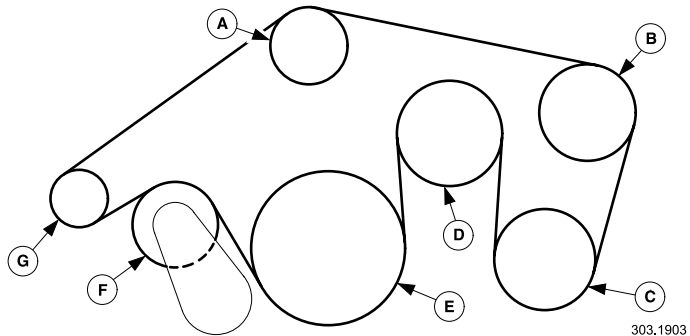


D.303.1591

- |  |                                |
|--|--------------------------------|
| <b>A</b> = Generator                   | <b>E</b> = Tensioner           |
| <b>B</b> = Idler Pulley                | <b>F</b> = Power Steering Pump |
| <b>C</b> = Air Conditioning Compressor | <b>G</b> = Idler Pulley        |
| <b>D</b> = Crankshaft Pulley           | <b>H</b> = Idler Pulley        |

## V6 Diesel (S-TYPE)

Notes

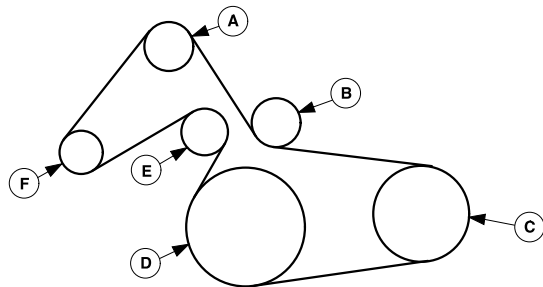


- A = Idler Pulley
- B = Power Steering Pump
- C = Air Conditioning Compressor
- D = Coolant Pump

- E = Crankshaft Pulley
- F = Tensioner
- G = Generator

## 2.0 Liter Diesel (X-TYPE)

Notes



303.1755

- A = Idler pulley
- B = Idler pulley
- C = Compressor pulley

- D = Crankshaft pulley
- E = Tensioner pulley
- F = Generator pulley





The illustrations, technical information, data and descriptive text in this issue, to the best of our knowledge, were correct at the time of going to print.

No part of this publication may be copied, reproduced, stored in a data processing system, nor transmitted by electronic, mechanical, photographic or any other means. The storage or translation of this publication and the editing, in summary or expanded form is not permitted except with prior written permission of Jaguar Cars Ltd. The same conditions apply to parts of this publication and their use in other publications.

No liability can be accepted for any inaccuracies or omissions in this publication, although every possible care has been taken to make it as complete and accurate as possible.

Issued by:  
Jaguar Cars Limited  
Technical Communications  
Browns Lane  
Coventry  
CV5 9DR

