

JAGUAR XK8/XKR 1997-05

SECTION INDEX

| | |
|----------------------------------|-----|
| A/C /HEATER/VENTILATION..... | 637 |
| A/C REFRIGERANT CAPACITIES | 637 |
| ABS/BRAKES | 639 |
| AIR BAG SYSTEM | 639 |
| AIR CLEANER | 642 |
| BACK WINDOW..... | 651 |
| CENTER CONSOLE..... | 645 |
| CLEAR COAT IDENTIFICATION | 634 |
| CONVERTIBLE TOP..... | 651 |
| COOLING..... | 635 |
| COWL & DASH..... | 645 |
| CRUISE CONTROL SYSTEM | 639 |
| ELECTRICAL..... | 644 |
| EMISSION SYSTEM..... | 643 |
| ENGINE OIL COOLER | 637 |
| ENGINE/TRANS | 642 |
| ENGINE/TRANS MOUNTS..... | 642 |
| EXHAUST..... | 643 |
| FRONT BUMPER | 634 |
| FRONT DOOR..... | 649 |
| FRONT FENDER..... | 637 |
| FRONT INNER STRUCTURE..... | 638 |
| FRONT LAMPS..... | 634 |
| FRONT SEAT..... | 647 |
| FRONT STEERING LINKAGE/GEAR..... | 641 |
| FRONT SUSPENSION | 640 |
| FUEL TANK..... | 654 |
| HOOD..... | 635 |
| INFORMATION LABELS..... | 634 |
| INSTRUMENT PANEL | 645 |
| LUGGAGE LID..... | 653 |
| PAINT CODE LOCATION..... | 634 |
| QUARTER GLASS..... | 653 |
| QUARTER PANEL..... | 651 |
| REAR BODY..... | 655 |
| REAR BUMPER..... | 656 |
| REAR DRIVE AXLE..... | 654 |
| REAR LAMPS..... | 656 |
| REAR SEAT..... | 649 |
| REAR SUSPENSION..... | 653 |
| ROCKER/PILLARS/FLOOR..... | 646 |
| ROOF..... | 651 |
| SEAT BELTS..... | 649 |
| SPECIAL CAUTIONS..... | 634 |
| STEERING PUMP..... | 641 |
| STEERING WHEEL/COLUMN..... | 641 |
| SUPERCHARGER/INTERCOOLER..... | 643 |
| UNDERHOOD DIMENSIONS..... | 638 |
| WHEEL..... | 639 |
| WINDSHIELD..... | 644 |

SPECIAL CAUTIONS

SUPPLEMENTAL RESTRAINT SYSTEM

Refer to Procedure Explanation 29 for Supplemental Restraint/Air Bag Special Cautions.

ELECTRICAL COMPONENTS

Ignition must be in off position before any electrical repair is performed.

SUSPENSION

Manufacturer advises that some new fasteners must be used whenever old fasteners are loosened or removed.

WELDING

Before initiating any repair involving the use of an electric welder, the ignition must be in the off position and both battery terminals disconnected.

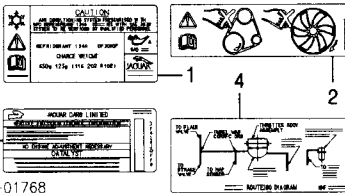
PAINT CODE LOCATION

Paint code located on left door jamb.

CLEAR COAT IDENTIFICATION

All colors are clear coat.

INFORMATION LABELS



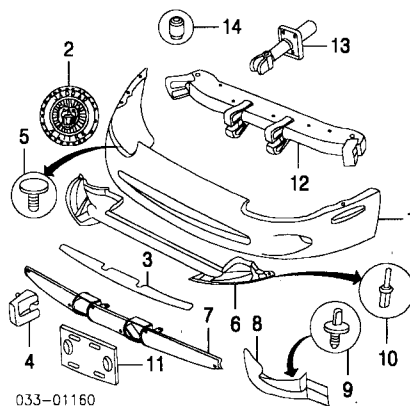
| | | |
|----------------------------|-------------|-------|
| 1 Label, A/C Warning | MJA7702AC | 2.55 |
| Label, Air Bag Warning | HJA8923AA | 2.90 |
| Label, Battery | LHE1270AA | 1.85 |
| 2 Label, Coolant | | |
| w/Supercharger | MNF007699BA | 0.00 |
| w/o Supercharger | MNF007699AA | 0.00 |
| Label, Cooling Fan Warning | XR8047031 | 1.35 |
| 3 Label, Emission System | | |
| w/Supercharger | NXG4744BA | 5.40 |
| w/o Supercharger | NXG4744AA | 5.40 |
| *Order by Application | | |
| Label, Fuel | BEC009188 | 2.45 |
| Label, Headlamp Caution | | |
| w/Navigation System | C2C009529 | 1.80 |
| w/o Navigation System | C2C009528 | 1.80 |
| Label, Pass Air Bag | GNA2620CA | 5.25 |
| Label, Security/Alarm | DBC005965 | 10.60 |
| 4 Label, Vacuum Routing | | |
| w/Supercharger | NNF4744GA | 4.80 |
| w/o Supercharger | NXG4744GA | 2.75 |

FRONT BUMPER

Use Procedure Explanations 1 and 28 with the following text.

| | |
|--|------|
| Refinish Front Cover | 2.5 |
| R&I Bumper Assy | #3.2 |
| <i>#Includes R&I Combination Lamp Assemblies, R&I/R&R Valance Panel, Fender Liners & Disconnect Headlamp Washer Assy from Combination Lamp</i> | |
| O/H Bumper Assy (Includes R&I)..... | #4.0 |
| <i>#Includes R&I Combination Lamp Assemblies, R&I/R&R Valance Panel, Fender Liners, Side Markers & Fog Lamps & Disconnect Headlamp Washer Assy from Combination Lamp</i> | |

NOTE: All Parts in this section are included in overhaul unless noted otherwise.



| | | | |
|--|--------------------|------|---------|
| 1 Cover, Front (P) | 97-00 HJD6468AAXXX | #3.8 | 1700.00 |
| | 01-03 HJE6468ADXXX | #3.8 | 1550.00 |
| | 04-05 C2N003109XXX | #3.8 | 1525.00 |
| <i>(P) Paint to Match</i> | | | |
| <i>#Includes R&I Combination Lamp Assemblies, R&I/R&R Valance Panel, Fender Liners, Side Markers & Fog Lamps & Disconnect Headlamp Washer Assy from Combination Lamp</i> | | | |
| 2 Emblem, Cover (Adhesive) | | | |
| XK8 | HJE5900AA | .2 | 45.60 |
| 1997-00 | | | |
| 2001-02 | | | |
| w/Silverstone | HXD5900AA | .2 | 49.95 |
| w/o Silverstone | HJE5900AA | .2 | 45.60 |
| 2003-05 | C2N001990 | .2 | 43.10 |
| XKR | HXG5900AA | .2 | 52.05 |
| 03-05 | C2N001991 | .2 | 43.10 |
| 3 Finisher, Bumper (Chrome) | | #.3 | 148.10 |
| | 97-00 HJA6451BC | #.3 | 139.05 |
| | 01-03 HJE6451AB | #.3 | 131.10 |
| | 04-05 C2N002745 | #.3 | 131.10 |
| 4 Guard, Front | | | |
| 1997-00 | R HJA6504AC | #.1 | 100.70 |
| | L HJA6505AC | #.1 | 100.70 |
| 2001-03 | | | |
| XK8 | R HJE6504AC | #.1 | 82.65 |
| | L HJE6505AC | #.1 | 82.65 |
| XKR | R HJE6504BC | #.1 | 82.65 |
| | L HJE6505BC | #.1 | 69.55 |
| 2004-05 | | | |
| XK8 | R C2N003295 | #.1 | 74.20 |
| | L C2N002750 | #.1 | 74.20 |

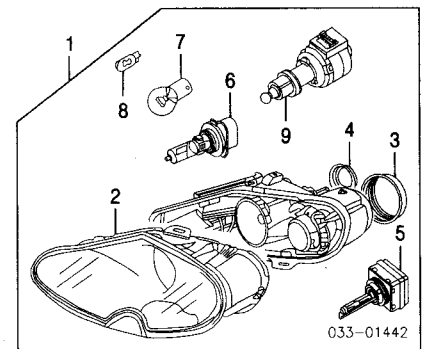
| | | | |
|---|---------------------|-----|--------|
| XKR | R C2N003296 | #.1 | 74.20 |
| | L C2N002751 | #.1 | 69.30 |
| <i>#w/Bumper Assy Removed</i> | | | |
| 5 Clip, Cover/Guard | R/L KTC100013 | | 1.30 |
| <i>†As Required</i> | | | |
| 6 Panel, Valance | 97-00 HJE6484AB | #.3 | 89.90 |
| | 01-05 C2N002744 | #.3 | 94.80 |
| <i>#Included in R&I/R&R or O/H Front Bumper</i> | | | |
| 7 Mesh, Grille | | | |
| XKR | 00-03 HJD6545AB | .3 | 710.00 |
| | 04-05 C2N002752 | .3 | 492.00 |
| 8 Deflector, Air | | | |
| | R HJA6538AB | | 76.25 |
| | L HJA6539AB | | 76.25 |
| 9 Rivet, Push (2/Side) | R/L KRB100002 | | .85 |
| 10 Rivet, Screw (4/Side) | R/L KRA106001 | | 1.05 |
| 11 Brkt, License | 97-00 HJA6458AC | .2 | 23.30 |
| | 04-05 C2N002746 | .2 | 24.10 |
| 12 Bar, Reinf | 97-00 HJA6460BD | IOH | 410.00 |
| | 01-05 HJE6460BD | IOH | 393.00 |
| 13 Absorber, Impact | 97-00 R/L HJA6472AC | #.2 | 340.00 |
| | 01-05 R/L HJE6472AA | #.2 | 82.95 |
| <i>#w/Cover & Reinf Bar Removed, Not Included in Overhaul</i> | | | |
| 14 Spacer, Reinf Bar (2) | HJA6544AA | | 3.60 |

FRONT LAMPS

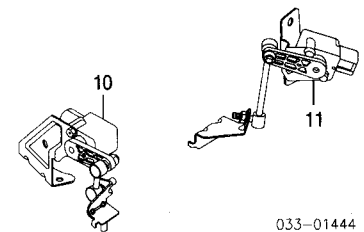
COMBINATION LAMP W/HID LAMPS

| | |
|---|----------|
| Aim Lamps | .4 |
| R&I Lamp Assy (One Side)..... | R/L #1.1 |
| <i>#Includes R&I/R&R Access Panel and Disconnect Fender Liner & Headlamp Washer, Included in R&I/R&R or O/H Front Cover</i> | |

NOTE: R&R Does Not include aim lamps.



| | | | |
|---|-----------------|------|--------|
| 1 Lamp Assy, Combination | R C2N002436 | #1.1 | 875.00 |
| | L C2N002440 | #1.1 | 875.00 |
| <i>#Includes R&I/R&R Access Panel and Disconnect Fender Liner & Headlamp Washer, Included in R&I/R&R or O/H Front Cover</i> | | | |
| 2 Lens, Combination Lamp | R/L C2N002468-9 | #1.3 | 196.50 |
| <i>#Includes R&I/R&R Access Panel and Disconnect Fender Liner & Headlamp Washer</i> | | | |
| 3 Cover, Outer Access Hole | R/L C2N001722 | | 11.70 |
| 4 Cover, Inner Access Hole | R/L C2N001723 | | 11.70 |
| 5 Bulb, High Beam | R/L C2N001716 | #.3 | 116.50 |
| 6 Bulb, Low Beam | R/L C2N001717 | #.3 | 21.75 |
| 7 Bulb, Signal | R/L C2S015076 | #.3 | 10.00 |
| 8 Bulb, Pilot | R/L C2S015074 | #.3 | .70 |
| <i>#R&R One Side Complete</i> | | | |
| 9 Motor, Stepper | R/L C2C007763 | | 113.85 |
| <i>†Included w/Combination Lamp Assy</i> | | | |

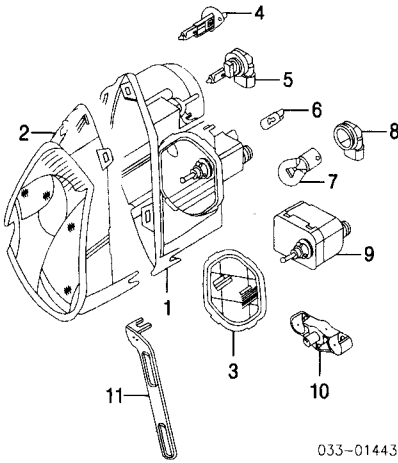


| | | | | |
|---------------------------|-----------|---|----|--------|
| 10 Sensor, Front Leveling | C2N001617 | m | .6 | 120.00 |
| 11 Sensor, Rear Leveling | C2N001616 | m | .6 | 120.00 |

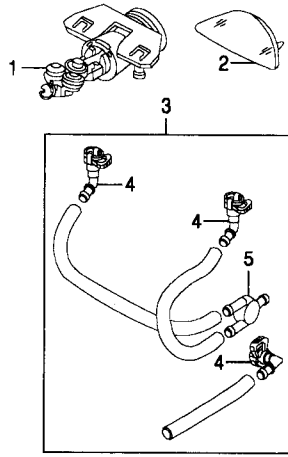
COMBINATION LAMP W/O HID LAMPS

| | |
|---|----------|
| Aim Lamps | .4 |
| R&I Lamp Assy (One Side)..... | R/L #1.1 |
| <i>#Includes R&I/R&R Access Panel and Disconnect Fender Liner & Headlamp Washer, Included in R&I/R&R or O/H Front Cover</i> | |

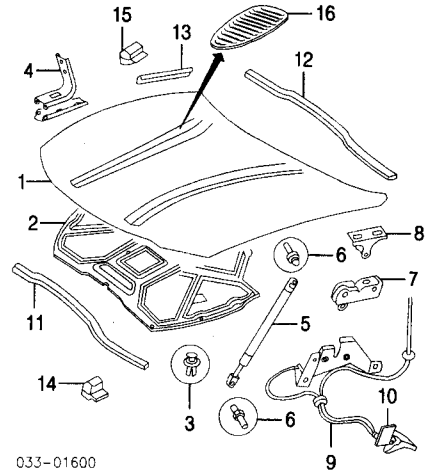
NOTE: R&R Does Not include aim lamps.



033-01443

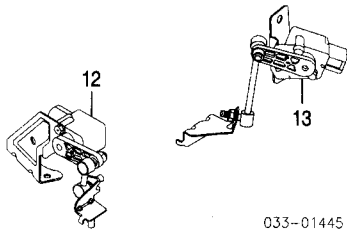


033-01156



033-01600

| | | | |
|---|---|------|------------------------|
| 1 Lamp, Combination w/ H/Lamp Washers | 97-03 R LJA4512AG L LJA4513AH | #1.1 | 565.00 |
| | 04-05 R LJA4512AH L LJA4513AH | #1.1 | 565.00 |
| w/o H/Lamp Washers | R LJA4510AH L LJA4511AH | #1.1 | 565.00 |
| #Includes R&I/R&R Access Panel and Disconnect Fender Liner & Headlamp Washer, Included in R&I/R&R or O/H Front Cover | | | |
| 2 Lens, Combination Lamp w/ H/Lamp Washers | R LJA4650BA L LJA4651BA | #1.3 | 190.55 |
| w/o H/Lamp Washers | R LJA4650AA L LJA4651AA | #1.3 | 190.55 |
| #Includes R&I/R&R Access Panel and Disconnect Fender Liner & Headlamp Washer | | | |
| 3 Cover, Access | R/L JLM020281 | | 9.00 |
| 4 Bulb, High Beam | R/L DBC011406 | #.3 | 7.40 |
| 5 Bulb, Low Beam | R/L XR8012420 | #.3 | 14.70 |
| 6 Bulb, Pilot | R/L C2S015074 | #.3 | .70 |
| 7 Bulb, Signal | R/L C2S015076 | #.3 | 10.00 |
| #R&R One Side Complete | | | |
| 8 Socket, Signal Bulb Deflector, Water | R/L JLM020285 R HJA3354AA L HJA3355AA | | 5.85 36.05 36.05 |
| 9 Motor, Stepper | R/L JLM012117 | | 106.90 |
| 10 Bracket, Headlamp Mtg | R/L LJA4660AE | | 12.10 |
| 11 Brace, Headlamp Mtg | R LJA4662AD L LJA4663AD | | 8.65 8.65 |



033-01445

| | | | | |
|----------------------------------|-----------|---|----|--------|
| 12 Sensor, Fron: Leveling | C2N001617 | m | .6 | 120.00 |
| 13 Sensor, Rea: Leveling | C2N001616 | m | .6 | 120.00 |

HEADLAMP WASHER

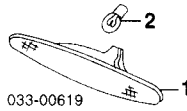
| | |
|--|------|
| R&I Headlamp Washer Assy.....R/L | #1.3 |
| #Includes R&I Headlamp Assy | |

Illustration Located in Next Column

| | | | |
|---|----------------------------|------|-------|
| 1 Nozzle, Washer | R LJA7050AF L LJA7051AF | #1.5 | 42.15 |
| 2 Cover, Nozzle | R LJA7054FA L LJA7055FA | #1.5 | 30.95 |
| #R&R One Side Complete, Includes R&I Headlamp Assy | | | |
| 3 Tube Assy, Washer | LJA7070AE | | 27.85 |
| 4 Connector, Tube(3) | LJA7071AA | | 13.00 |
| 5 Valve, Washer Tube(1) | LNA7072AA | | 13.05 |
| #Included w/Washer Tube Assy | | | |

SIDE MARKER LAMP

| | |
|---|-----|
| R&I Side Marker Lamp.....R/L | #.3 |
| #Included in R&R or O/H Bumper Cover | |

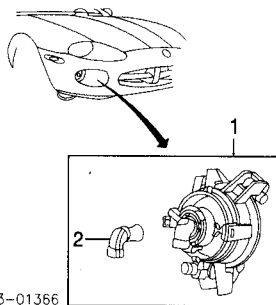


033-00619

| | | | |
|--|---------------|-----|-------|
| 1 Lamp, Side Marker | R/L LJA5034AC | #.3 | 17.30 |
| 2 Bulb, Side Marker | R/L C2S015074 | #.3 | .70 |
| #R&R One Side Complete, Included in R&R or O/H Bumper Cover | | | |

FOG LAMP

| | |
|---|-----|
| R&I Fog Lamp.....R/L | #.4 |
| #Included in R&R or O/H Bumper Cover | |



033-01366

| | | | |
|---|----------------------------------|-----|--------|
| 1 Lamp Assy, Fog | 97-00 R LJA5090AC L LJA5091AC | #.4 | 159.65 |
| | 01-05 R LJE5090AC L LJE5091AC | #.4 | 152.20 |
| | R/L DBC011406 | #.4 | 152.20 |
| #Included in R&R or O/H Bumper Cover | | | |
| 2 Bulb, Fog Lamp(1) | R/L DBC011406 | .2 | 7.40 |
| #Included w/Fog Lamp Assy | | | |

HOOD

Use Procedure Explanations 4 and 28 with the following text.

| | |
|------------------------------|-----|
| Refinish Hood Outside..... | 3.0 |
| Add for Underside..... | 1.5 |
| Refinish Hinge.....R/L | .2 |
| Refinish Hood Grille.....R/L | .4 |
| R&I Hood Assy..... | .6 |

Illustration Located in Next Column

| | | | |
|--|-----------|------|--------|
| 1 Panel, Hood XK8 | FJB3005AA | #1.8 | 990.00 |
| #Includes R&I/R&R Seals, Latch Strikers, Hood Bumpers & Insulator | | | |
| XKR | FJB3005FA | #2.1 | 990.00 |
| #Includes R&I/R&R Hood Grilles, Seals, Latch Strikers, Hood Bumpers & Insulator | | | |
| 2 Insulator, Hood XK8 | HJB2640AF | .5 | 164.30 |
| XKR | C2N002616 | .5 | 164.30 |

| | | | |
|---|----------------------------------|-----|--------|
| 3 Retainer, Insulator (12) | KRS113130 | | .95 |
| 4 Hinge, Hood | R FJA3010AD L FJA3011AD | #.3 | 56.15 |
| #w/Hood Removed | | | |
| 5 Strut, Support | R/L HJA2500AB | .2 | 25.90 |
| 6 Pin, Strut Ball (2/Side) | R/L BCC003664 | | 4.30 |
| 7 Latch, Hood | R HJA2402BA L HJA2402AB | .4 | 24.20 |
| | R/L HJA2402AB | .4 | 24.20 |
| 8 Striker, Latch | R/L HJA2402AB | .2 | 74.45 |
| 9 Cable, Release To VIN A34386 | HJA2541AD | 1.0 | 26.95 |
| From VIN A34387 | HJA2541AE | 1.0 | 19.80 |
| 10 Lever, Release Cable | HNC2561AC | .3 | 18.20 |
| 11 Seal, Front | HJF5240AA | .2 | 28.75 |
| 12 Seal, Rear Hood-See Cowl & Dash Section | | | |
| 13 Seal, Side | R/L HJA5244AD | .1 | 11.95 |
| 14 Bumper, Front Hood | R/L HJA2431AB | .1 | 5.00 |
| 15 Bumper, Rear Hood | R/L HJA2431BA | .1 | 5.00 |
| 16 Grille, Hood (P) XKR | R HJB6370ABXXX L HJB6371AAXXX | .3 | 219.90 |
| | | .3 | 224.55 |

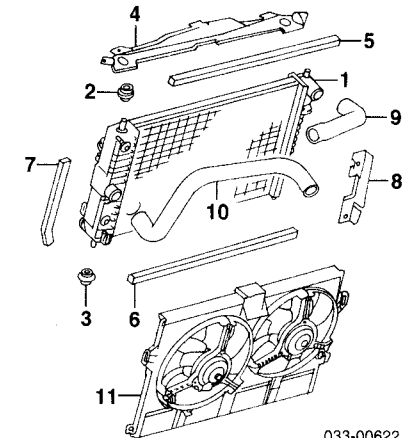
(P) Paint to Match

COOLING

Use Procedure Explanations 5 and 28 with the following text.

1997-02

| | |
|-------------------|-----|
| R&I Radiator..... | 3.1 |
|-------------------|-----|

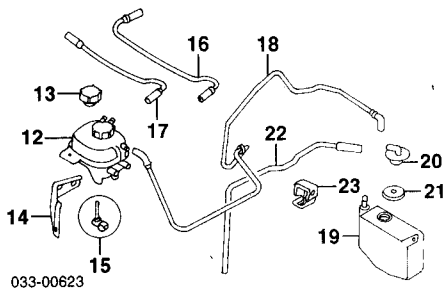


033-00622

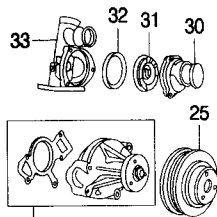
| | | | |
|--|----------------------------|------|----------------|
| 1 Radiator XK8 | MJA4190AF | 3.1 | 740.00 |
| XKR | MJB4190BC | 3.1 | 630.00 |
| 2 Cushion, Upper Mtg | R/L MJA4243AB | | 7.40 |
| 3 Cushion, Lower Mtg | R/L MJA4242CB | | 7.40 |
| 4 Panel, Upper Mtg | MJA4180AD | | 79.60 |
| 5 Seal, Upper Rad | MJA4212AA | | 30.55 |
| 6 Seal, Lower Rad | MJA4212AA | | 30.55 |
| 7 Seal, Side Rad | R MJA4210AA L MJA4211AA | | 36.30 36.30 |
| 8 Plate, Sealing XK8 | MJA4214AB | | 7.95 |
| XKR | MJB4214BA | | 7.80 |
| 9 Hose, Upper Rad | MJA4500AE | .7 | 40.35 |
| 10 Hose, Lower Rad | MJA4515AD | .9 | 88.85 |
| 11 Fan & Motor, Electric XK8 | MJB4270AB | #3.1 | 493.00 |
| XKR | MJB4270BC | #3.1 | 463.00 |
| #Included in R&I/R&R Radiator | | | |

COOLING Cont'd

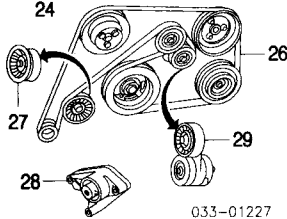
1997-02 Cont'd



| | | | |
|------------------------------------|-----------|-----|--------|
| 12 Reservoir, Coolant | | | |
| XK8 | MJD4400AB | .5 | 148.10 |
| XKR | MJD4400BA | .5 | 154.50 |
| 13 Cap, Reservoir | MJA4440BA | | 14.65 |
| 14 Brkt, Reservoir Mounting | | | |
| XK8 | | | |
| Front | MJB4452AA | | 8.85 |
| Rear | MJA4453AB | | 10.50 |
| XKR | | | |
| Front | MJB4452BA | | 4.50 |
| Rear | MJB4453BA | | 4.05 |
| 15 Sensor, Fluid Level | LNA5740AB | #.5 | 44.80 |
| #Included in R&R Coolant Reservoir | | | |
| 16 Hose, Bleed | | | |
| XK8 | MJA4560BE | .3 | 14.95 |
| XKR | MJB4582BB | .3 | 15.15 |
| 17 Hose, Reservoir | MJA4560DB | .3 | 14.55 |
| 18 Pipe, Reservoir | | | |
| XK8 | MJA4468AF | | 21.35 |
| XKR | MJB4468BB | | 23.75 |
| 19 Tank, Recovery | MJA4460AD | .5 | 34.50 |
| 20 Cap, Tank | MJA4466AA | | 13.50 |
| 21 Seal, Cap | MJA4467AA | | 4.05 |
| 22 Hose, Drain | MJA4480AD | | 12.00 |
| 23 Clip (4) | KDF110004 | | .95 |



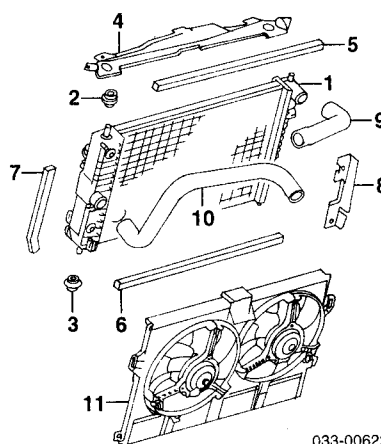
| | | | |
|-----------------------------|---------------|--------|--------|
| 34 Intercooler | MNC8200AF | #3.1 | 615.00 |
| #Included in R&R Radiator | | | |
| 35 Bracket, Upper Mount | | | |
| XKR | R MJB8224AA | | 26.50 |
| | L MJB8225AA | | 26.50 |
| 36 Grommet, Upper Mounting | R/L N.A. | | 0.00 |
| 37 Grommet, Lwr Mounting | R/L C2C016681 | | 1.00 |
| 38 Hose, Pressure Release | MJB4570BD | | 34.60 |
| 39 Clamp, Pump Mtg | MJB8271AA | | 14.95 |
| 40 Bracket, Pump Mtg | MJB8272BC | | 42.50 |
| 41 Buffer, Mounting Bracket | BEC010761 | | .85 |
| 42 Grommet, Support | R/L C2C016681 | | 1.00 |
| 43 Spacer, Bracket | R/L JZT100020 | | 3.50 |
| 44 Pump, Coolant | C2C001314 | m #1.2 | 389.00 |
| 45 Hose, Outlet | MJB8236AB | m #1.2 | 30.05 |
| 46 Hose, Inlet | MJB8244AD | m #1.2 | 72.65 |
| #R&R Complete | | | |



| | | | |
|-----------------------------|-----------------|--------|--------|
| 24 Pump, Water | AJ8008912 | m #1.1 | 89.10 |
| #w/Supercharger Add .8 | | | |
| 25 Pulley, Water Pump | 97-98 NCA2225AB | #.5 | 41.15 |
| | 99-02 AJ8003873 | #.5 | 41.75 |
| 26 Belt, Drive | | | |
| XK8 | 97-99 NCA2211AC | #.3 | 88.60 |
| | 00-02 NCA2211DA | #.3 | 84.20 |
| XKR | NCC7740BA | #.5 | 66.70 |
| #Included in R&R Water Pump | | | |
| 27 Pulley, Idler | | | |
| XK8 | C2C022758 | .4 | 27.05 |
| XKR | XR8031039 | .5 | 28.05 |
| 28 Bracket, Idler Pulley | XR8031038 | | 64.65 |
| 29 Tensioner, Belt | | | |
| XK8 | NCA7739AE | .5 | 59.50 |
| XKR | C2C005209 | .6 | 56.90 |
| 30 Cover, Thermostat | | | |
| XK8 | AJ8005875 | #.9 | 22.75 |
| XKR | NCC2245BC | #.9 | 30.95 |
| 31 Thermostat | AJ8006484 | #.9 | 47.55 |
| 32 Seal, Thermostat | NCA2246BA | #.9 | 3.60 |
| #R&R Complete | | | |
| 33 Housing, Thermostat | | | |
| XK8 | AJ8002217 | #1.3 | 55.65 |
| XKR | AJ8001981 | #1.4 | 245.65 |
| #Order by Application | | | |
| #Includes R&R Thermostat | | | |

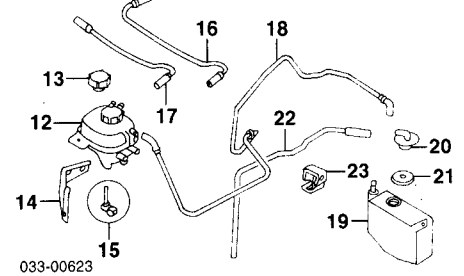
2003-05

R&I Radiator..... 3.1

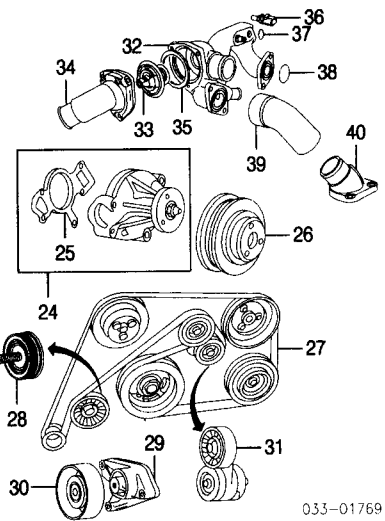


| | | | |
|----------------------|---------------|-----|--------|
| 1 Radiator | | | |
| XK8 | MJA4190AF | 3.1 | 740.00 |
| XKR | MJB4190BC | 3.1 | 630.00 |
| 2 Cushion, Upper Mtg | R/L MJA4243AB | | 7.40 |
| 3 Cushion, Lower Mtg | R/L MJA4242CB | | 7.40 |
| 4 Panel, Upper Mtg | MJA4180AD | | 79.60 |
| 5 Seal, Upper Rad | MJA4212AA | | 30.55 |
| 6 Seal, Lower Rad | MJA4212AA | | 30.55 |
| 7 Seal, Side Rad | R MJA4210AA | | 36.30 |
| | L MJA4211AA | | 36.30 |
| 8 Plate, Sealing | | | |
| XK8 | MJA4214AB | | 7.95 |
| XKR | MJB4214BA | | 7.80 |
| 9 Hose, Upper Rad | | | |
| XK8 | C2N001174 | .7 | 78.80 |
| XKR | C2N001937 | .7 | 78.80 |

| | | | |
|---------------------------|-----------|------|--------|
| 10 Hose, Lower Rad | | | |
| XK8 | C2N001173 | .9 | 80.85 |
| XKR | C2N002615 | .9 | 80.85 |
| 11 Fan & Motor, Electric | XR8047278 | #3.1 | 530.00 |
| #Included in R&R Radiator | | | |

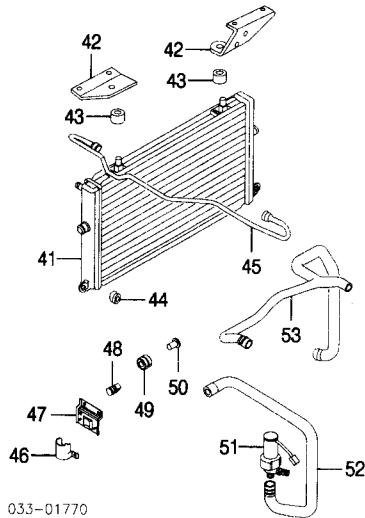


| | | | |
|------------------------------------|-----------|-----|--------|
| 12 Reservoir, Coolant | | | |
| XK8 | MJD4400AB | .5 | 148.10 |
| XKR | MJD4400BA | .5 | 154.50 |
| 13 Cap, Reservoir | MJA4440BA | | 14.65 |
| 14 Brkt, Reservoir Mounting | | | |
| XK8 | | | |
| Front | MJB4452AA | | 8.85 |
| Rear | MJA4453AB | | 10.50 |
| XKR | | | |
| Front | MJB4452BA | | 4.50 |
| Rear | MJB4453BA | | 4.05 |
| 15 Sensor, Fluid Level | LNA5740AB | #.5 | 44.80 |
| #Included in R&R Coolant Reservoir | | | |
| 16 Hose, Bleed | | | |
| XK8 | C2N002463 | .3 | 107.65 |
| XKR | C2N001809 | .3 | 17.05 |
| 17 Hose, Reservoir | MJA4560DB | .3 | 14.55 |
| 18 Pipe, Reservoir | | | |
| XK8 | MJA4468AF | | 21.35 |
| XKR | MJB4468BB | | 23.75 |
| 19 Tank, Recovery | MJA4460AD | .5 | 34.50 |
| 20 Cap, Tank | MJA4466AA | | 13.50 |
| 21 Seal, Cap | MJA4467AA | | 4.05 |
| 22 Hose, Drain | MJA4480AD | | 12.00 |
| 23 Clip (4) | KDF110004 | | .95 |



| | | | |
|-----------------------------|-----------|--------|--------|
| 24 Pump Assy, Water | AJ8008912 | m #1.1 | 89.10 |
| #w/Supercharger Add .8 | | | |
| 25 Gasket, Water Pump | AJ8003300 | m | 14.45 |
| #Included w/Water Pump Assy | | | |
| 26 Pulley, Water Pump | AJ8003874 | #.5 | 41.75 |
| 27 Belt, Drive | AJ8009191 | #.5 | 42.35 |
| #Included in R&R Water Pump | | | |
| 28 Pulley, Tensioner | XR8031038 | .4 | 64.65 |
| 29 Bracket, Idler Pulley | C2C026235 | | 63.60 |
| 30 Pulley, Idler | C2C022758 | | 27.05 |
| 31 Tensioner, Belt | | | |
| XK8 | AJ8008003 | .6 | 47.55 |
| XKR | | | |
| To VIN A42569 | C2C005209 | .6 | 56.90 |
| From VIN A42570 | AJ8006199 | .6 | 0.00 |
| 32 Housing Assy, Thermostat | | | |
| XK8 | AJ8007365 | #1.3 | 59.75 |
| XKR | AJ8009050 | #1.4 | 193.15 |
| #Includes R&R Thermostat | | | |
| 33 Thermostat | | | |
| XK8 | AJ8002697 | #.9 | 34.65 |
| XKR | AJ8006484 | #.9 | 47.55 |
| 34 Outlet, Thermostat | | | |
| XK8 | AJ8004567 | #.9 | 22.75 |
| XKR | AJ8004255 | #.9 | 55.40 |
| 35 Seal, Thermostat | | | |
| XK8 | AJ8003525 | #.9 | 4.20 |
| XKR | NCA2246BA | #.9 | 3.60 |

| #R&R Complete | | | |
|---------------|---------------------|-----------|----------|
| 36 | Sensor, Temperature | LNA1600AA | .4 21.95 |
| 37 | Insulator, Sensor | JWV110001 | 1.80 |
| 38 | O-Ring, Pipe | | |
| | XK8 | AJ8003526 | 4.30 |
| | XKR | C2C011477 | 3.40 |
| 39 | Hose, Inlet | | |
| | XKR | AJ8008713 | 10.20 |
| 40 | Connector, Hose | | |
| | XKR | AJ8007639 | 42.25 |



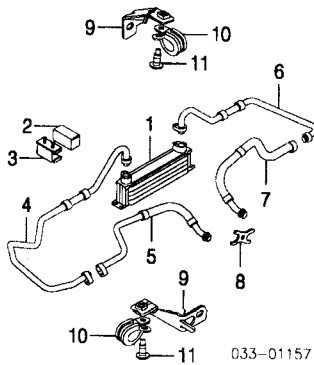
033-01770

| | | | |
|----|---------------------------|----------------------------|----------------|
| 41 | Intercooler | MNC8200AF | #3.1 615.00 |
| | XKR | | |
| | #Included in R&R Radiator | | |
| 42 | Bracket, Upper Mount | | |
| | XKR | R MJB8224AA L MJB8225AA | 26.50 26.50 |
| 43 | Grommet, Upper Mounting | R/L CBC008262 | 95 |
| 44 | Grommet, Lwr Mounting | R/L C2C016681 | 1.00 |
| 45 | Hose, Pressure Release | | |
| | XKR | MJB4570BD | 34.60 |
| 46 | Clamp, Pump Mtg | | |
| | XKR | MJB8271AA | 14.95 |
| 47 | Bracket, Pump Mtg | | |
| | XKR | MJB8272BC | 42.50 |
| 48 | Buffer, Mounting Bracket | | |
| | XKR | BEC010761 | 85 |
| 49 | Grommet, Support | | |
| | XKR | R/L C2C016681 | 1.00 |
| 50 | Spacer, Bracket | | |
| | XKR | R/L JZT100020 | 3.50 |
| 51 | Pump, Coolant | | |
| | XKR | C2C001314 | m #1.2 389.00 |
| 52 | Hose, Outlet | | |
| | XKR | MJB8236AB | m #1.2 30.05 |
| 53 | Hose, Inlet | | |
| | XKR | C2N001592 | m #1.2 37.30 |

#R&R Complete

ENGINE OIL COOLER

R&I Engine Oil Cooler m .8



033-01157

| | | | |
|---|-----------------------|-----------------|--------------|
| 1 | Cooler, Engine Oil | | |
| | XK8 | 00-03 MJF7440AA | m .8 407.00 |
| | | 04-05 C2N002908 | m .8 419.00 |
| | XKR | 00-03 C2N001169 | m .8 491.00 |
| | | 04-05 C2N002917 | m .8 489.00 |
| 2 | Mount, Oil Cooler | R/L CCC006992 | 1.50 |
| 3 | Bracket, Mount | R/L CCC006991 | 10.15 |
| 4 | Pipe, Oil Cooler Feed | | |
| | XK8 | 00 MJB7470BB | m #.5 108.40 |
| | | 01-02 MJE7470AB | m #.5 137.50 |

| | | | |
|----|-------------------------|---------------------|--------------|
| | | 03 MJF7440AA | m #.5 407.00 |
| | | 04-05 MJE7470AB | m #.5 137.50 |
| | XKR | 00-02 MJB7470BB | m #.5 108.40 |
| | | 03 C2N001169 | m #.5 491.00 |
| | | 04-05 C2N002911 | m #.5 134.70 |
| 5 | Hose, Oil Cooler Feed | 00 MJA7460AC | m #.5 69.05 |
| | | 01-05 C2N002208 | m #.5 102.00 |
| 6 | Pipe, Oil Cooler Return | | |
| | XK8 | 00 MJB7471BB | m #.5 101.20 |
| | | 01-05 MJE7471AB | m #.5 105.10 |
| | XKR | 00-02 MJB7471BB | m #.5 101.20 |
| | | 03 C2N001171 | m #.5 142.65 |
| | | 04-05 C2N002910 | m #.5 142.15 |
| 7 | Hose, Oil Cooler Return | 00 MJB7461BC | m #.5 101.20 |
| | | 01-05 MJE7461AB | m #.5 85.75 |
| | #Each Additional .3 | | |
| 8 | Bracket, Hose | NCA1759AA | 1.55 |
| 9 | Bracket, Pipe | 00 R MJA7474AB | 4.20 |
| | | L MJB7473BA | 4.20 |
| | | 01-05 R/L MJE7447AC | 37.80 |
| 10 | Clamp, Pipe | R/L C2N002261 | 13.85 |
| 11 | Bolt, Clamp (2/Side) | R/L JXR10616F | .35 |

A/C REFRIGERANT CAPACITIES

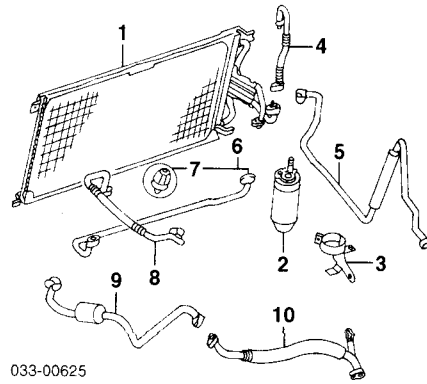
A/C R-134a Refrigerant Capacity
1997-05: 26-30 Ozs (1.62-1.87 Lbs)

A/C HEATER/VENTILATION

Use Procedure Explanation 6 with the following text.

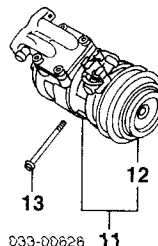
| | |
|---------------------------------|-------|
| R&I Condenser..... | m 2.2 |
| Evacuate & Recharge System..... | m 1.4 |
| Recover Refrigerant..... | m .3 |

NOTE: R&R Does Not include recover, evacuate and recharge system.



033-00625

| | | | |
|----|--|-----------------|--------------|
| 1 | Condenser | MJD7390AE | m 2.2 765.00 |
| | #Additional Parts Required, Contact Dealer | | |
| 2 | Receiver/Drier | MJA7410AE | m .4 109.45 |
| 3 | Brkt, Receiver/Drier | MJA7420AC | 13.65 |
| 4 | Hose, Receiver/Drier | 97-99 MJA7361AE | m .6 106.10 |
| | | 00-05 MJD7361AA | m .6 148.10 |
| 5 | Hose, Drier/Evap | MJA7360AB | m .8 108.40 |
| 6 | Pipe Assy, Condenser | 97-99 MJA7341BD | m m 320.00 |
| | | 00-02 MJD7341AA | m m 360.00 |
| | | 03-05 C2N001168 | m m 94.80 |
| 7 | Switch, Pressure (a) | 97-02 LJA7658AB | m .3 71.85 |
| | | 03-05 XR8003792 | m .3 28.85 |
| | (a) Included w/Condenser Pipe Assy | | |
| 8 | Hose, Cond/Comp | 97-99 MJA7340AE | m 1.0 186.45 |
| | | 00-05 MJD7340AB | m 1.0 141.40 |
| 9 | Pipe, Condenser | 97-02 MJA7312CB | m .8 107.65 |
| | | 03-05 C2N001700 | m .8 77.25 |
| 10 | Hose, Comp/Evap | MJA7310AH | m .6 92.20 |

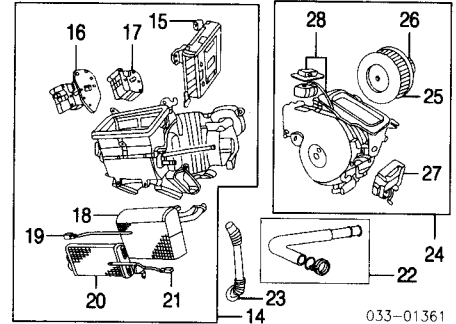


033-00626

| | | | |
|----|------------------------|-----------|---------------|
| 11 | Compressor Assy | | |
| | 1997 | MCA7300AD | m 2.2 1190.00 |
| | 1998 | | |
| | To VIN 019724 | MCA7300AD | m 2.2 1190.00 |
| | From VIN 019725 | MCA7300AE | m 2.2 875.00 |
| | 1999-02 | MCA7300AE | m 2.2 875.00 |
| | 2003 | C2N001179 | m 2.2 480.00 |
| | 2004 | | |
| | To VIN A33286 | C2N001179 | m 2.2 480.00 |
| | From VIN A33287 | C2N002663 | m 2.2 480.00 |
| | 2005 | C2N002663 | m 2.2 480.00 |
| 12 | Clutch, Compressor (b) | | |
| | 1997-02 | JLM020184 | m 2.6 700.00 |

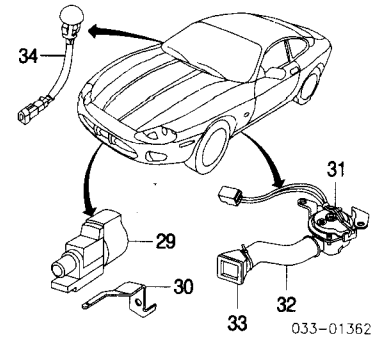
2003-05-Serviced w/Compressor Assy
(b) Included w/Compressor Assy

| | | | |
|----|-----------|-----------|------|
| 13 | Bolt, Mtg | | |
| | 95mm | JFB10819B | 2.00 |
| | 120mm | JFB10824B | 2.65 |



033-01361

| | | | |
|----|--------------------------------|-----------------|----------------|
| 14 | Evaporator Assy | MJA6440AE | m #5.3 3400.00 |
| | #Includes R&I Instrument Panel | | |
| 15 | Control Unit (c) | LJB7600AB | m .8 890.00 |
| 16 | Motor, Foot Outlet Servo (c) | JLM011946 | m 1.0 95.80 |
| 17 | Motor, Fresh Air Servo (c) | JLM011945 | m 1.0 84.50 |
| 18 | Core, Evaporator (c) | JLM020185 | m #5.8 610.00 |
| | #Includes R&I Instrument Panel | | |
| 19 | Thermostat, Evap (c) | JLM011947 | m 105.60 |
| 20 | Core, Heater (c) | JLM011949 | m #5.7 117.95 |
| | #Includes R&I Instrument Panel | | |
| 21 | Thermostat, Heater (c) | JLM011948 | m 105.60 |
| | (c) Included w/Evaporator Assy | | |
| 22 | Pipe Kit | | |
| | Inlet | JLM020243 | m 54.85 |
| | Outlet | JLM020242 | m 69.55 |
| 23 | Tube, Drain | R/L MJA6510AA | m 2.0 31.55 |
| 24 | Blower Assy | R MJA6520AA | m 2.0 735.00 |
| | | L MJA6521AA | m 2.0 735.00 |
| 25 | Fan, Blower Motor (d) | R/L JLM012433-4 | m 2.4 30.25 |
| 26 | Motor, Blower (d) | R/L JLM020188-9 | m 2.0 347.00 |
| 27 | Motor, Servo (d) | R/L JLM011957-8 | m 1.5 128.25 |
| 28 | Resistor, Blower (d) | JLM011959 | m 134.70 |
| | (d) Included w/Blower Assy | | |



033-01362

| | | | |
|----|---------------------|-----------------|-------------|
| 29 | Sensor, Ambient Air | LJA7605AB | m .3 59.00 |
| 30 | Bracket, Sensor Mtg | LJA7604AA | 4.50 |
| 31 | Motor, Aspirator | MJA6551BA | m .7 225.05 |
| 32 | Tube, Drain | MJA6552AA | 3.85 |
| 33 | Sensor, Temp | MJA6554AA | m .3 46.85 |
| 34 | Sensor, Solar | 97-03 LNA7625AC | m .3 104.05 |
| | | 04-05 LNC7625AA | m .3 68.75 |

FRONT FENDER

Use Procedure Explanations 7 and 28 with the following text.

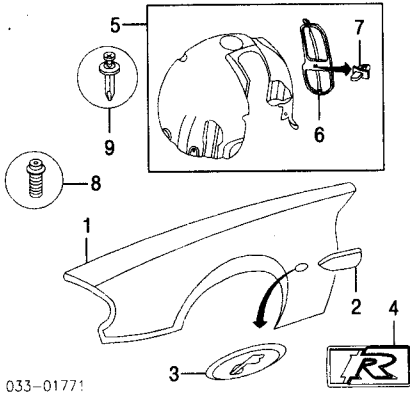
| | |
|------------------------------|----------|
| Refinish Fender Outside..... | R/L 2.3 |
| Add to Edge Fender..... | R/L .5 |
| Refinish Side Mldg..... | R/L .3 |
| R&I Fender Assy..... | R/L #4.9 |

#Includes R&I Front Bumper Assy, Combination Lamp Assy,
R&I/R&R Fender Liners, Cowl Plenum Panel & Wiper Arms, R&I
Both Fenders 5.8

Illustration Located in Next Column

| | | | |
|---|---|----------------|-------------|
| 1 | Fender | R FJA1070AF | #5.3 905.00 |
| | | L FJA1071AF | #5.3 905.00 |
| | #Includes R&I Front Bumper Assy, Combination Lamp Assy, R&I/R&R Fender Liners, Cowl Plenum Panel & Wiper Arms, R&R Both Fenders 6.6 | | |
| 2 | Mldg, Side (Adhesive) (P) | R HJA5704AAXXX | .2 63.35 |
| | | L HJA5705AAXXX | .2 63.35 |
| | (P) Paint to Match Emblem (Adhesive) | | |

FRONT FENDER Cont'd



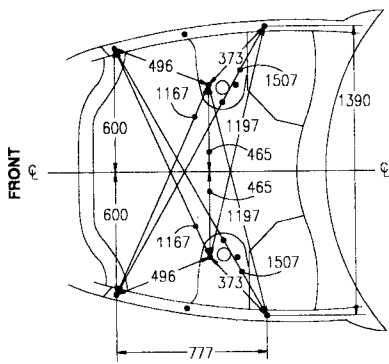
033-01771

| | | | | |
|---|-------------------------------|-----------------|-------|--------|
| 3 | Jaguar XK8 | R HJA5770AA | .2 | 643.00 |
| | | L HJA5771AA | .2 | 643.00 |
| | XKR | R HJD5770AA | .2 | 35.95 |
| | | L HJD5771AA | .2 | 35.95 |
| 4 | "R" | | | |
| | To VIN A30644 | R/L XR8030872 | .2 | 31.70 |
| | From VIN A30645 | R/L C2N002446 | .2 | 31.35 |
| 5 | Liner Assy, Fender | R/L C2N002846-7 | #.5 | 120.25 |
| | #Included in R&R/R Fender | | | |
| 6 | Panel, Bulb Access | R HJA4582AD | 14.70 | |
| | | L HJA4583AD | 14.70 | |
| 7 | Clip, Access Panel | R/L KTF100003 | 2.20 | |
| | #Included w/Fender Liner Assy | | | |
| 8 | Screw, Retainer | R/L J2S100005 | 1.45 | |
| 9 | Rivet, Screw (4/Side) | R/L KRS113230 | 1.15 | |

UNDERHOOD DIMENSIONS

1997-04

061-50051



2005

Information not available at time of publication.

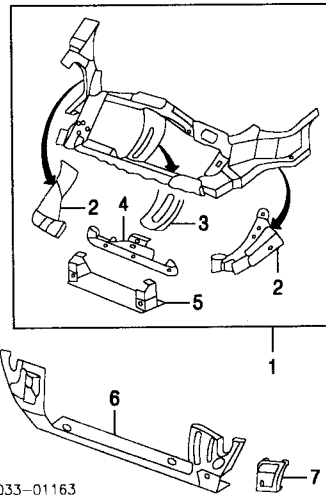
FRONT INNER STRUCTURE

Use Procedure Explanations 8 and 28 with the following text.

NOTE: Refer to Special Cautions Section at the beginning of this vehicle text.

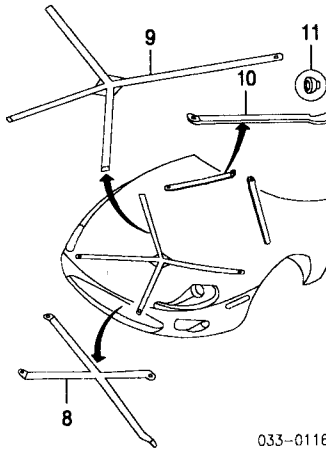
FRONT

| | |
|--|--------|
| Refinish Front Support Assy Complete | 1.5 |
| Refinish Lower Crossmember | .5 |
| R&R Front Radiator Support Complete | #12.4 |
| #Includes R&R Front Support Assy, Lower Crossmember, R&I Hood, Combination Lamp Assemblies, R&I/R&R Hood Hinges, Impact Absorbers, Radiator, Electric Fan & Motor as an Assy, Air Cleaner Duct & Disconnect & Connect Wiring &/or Harness as Necessary | |
| Add to R&R Front Support Assy Complete | |
| To R&R Base Model Mechanical Components | m #2.0 |
| #Includes R&R ABS Modulator Assy, Power Steering Cooler, Power Steering Reservoir, A/C Condenser, Receiver/Drier & D&C A/C Lines | |
| To Aim Lamps | .4 |
| Evacuate & Recharge System | m 1.4 |
| Recover Refrigerant | m .3 |



033-01163

| | | | | |
|---|---------------------------------------|-------------|--------|--------|
| 1 | Support Assy, Front | | | |
| | 1997-00 | | | |
| | w/Adaptive Speed Control | FJD3866JB | s 5.5 | 498.00 |
| | w/o Adaptive Speed Control | FJB3866AA | s 5.5 | 393.00 |
| | 2001-03 | FJE3866AB | s 5.5 | 498.00 |
| | 2004-05 | C2N002836 | s 5.5 | 471.00 |
| 2 | Panel, Side Mtg | | | |
| | 1997-00 | R FJA4482AA | s #1.5 | 79.35 |
| | | L FJA4483AA | s #1.5 | 79.35 |
| | 2001-05-Serviced w/Front Support Assy | | | |
| 3 | Reinf, Bumper Mtg | | | |
| | 1997-00 | FJD2613JA | s #1.0 | 71.60 |
| | w/Adaptive Speed Control | FJD2613AB | s #1.0 | 77.25 |
| | w/o Adaptive Speed Control | FJE2613AC | s #1.0 | 85.25 |
| | 2001-05 | | | |
| 4 | Crossmember, Bumper | | | |
| | 1997-00 | | | |
| | w/Adaptive Speed Control | FJD1866JA | s #2.0 | 229.20 |
| | w/o Adaptive Speed Control | FJA1866AE | s #2.0 | 259.00 |
| | 2001-05 | FJE1866AA | s #2.0 | 276.00 |
| 5 | Bracket, Acceleration | | | |
| | 1997-99-Not Serviced | | | |
| | 2000 | FJD2701JB | | 5.45 |
| | 2001-03 | C2N002868 | | 23.55 |
| | 2004-05 | C2N002868 | | 23.55 |
| | #Included w/Front Support Assy | | | |
| 6 | Crossmember, Lower | FJE4059AA | s #4.5 | 505.00 |
| | #w/Necessary Bolted Parts Removed | | | |
| 7 | Brkt, Valance Reinf | R FJA4422AC | | 33.15 |
| | | L FJA4423AC | | 33.15 |

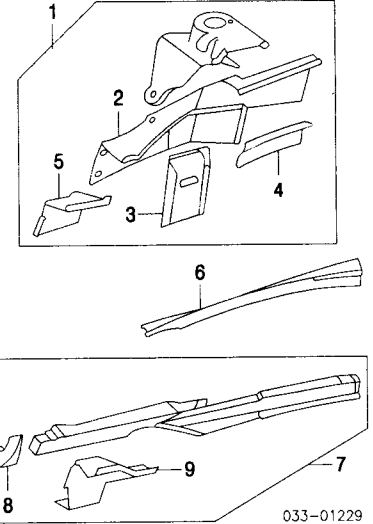


033-01164

| | | | | |
|----|--------------------|---------------|-----|--------|
| 8 | Brace, Front Cross | | | |
| | Conv | | | |
| | XK8 | FJA3106BA | | 54.60 |
| | XKR | HJB4151AB | | 50.20 |
| 9 | Strut, Crossmember | | | |
| | Conv | HJA4616BC | | 129.30 |
| 10 | Brace, Rear | | | |
| | Conv | R HJA4000BA | #.2 | 32.20 |
| | | L HJA4001AE | #.2 | 32.70 |
| | #R&R Both .3 | | | |
| 11 | Bushing, Brace | R/L HJA4006AD | | 3.60 |

SIDE

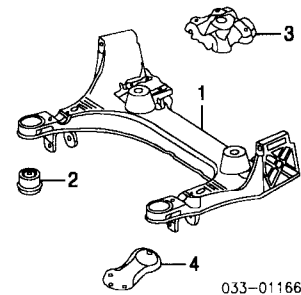
| | | |
|--------------------------------|-----|-----|
| Refinish Apron/Sidemember Assy | R/L | 1.8 |
| Refinish Apron Assy | R/L | 1.0 |
| Refinish Sidemember Assy | R/L | 1.0 |



033-01229

| | | | | |
|---|--|-------------------|--------|--------|
| 1 | Apron Assy | R FJG3990AA | s #9.6 | 482.00 |
| | | L FJG3991AA | s #9.6 | 482.00 |
| | #w/Necessary Bolted Parts & Assemblies Removed | | | |
| 2 | Panel, Apron | R FJG1990AA | s | 173.55 |
| | | L FJG1991AA | s | 173.55 |
| 3 | Reinf, Sidemember | R FJA2016AC | s | 51.75 |
| | | L FJA2017AC | s | 51.75 |
| 4 | Reinf, Upper | R FJA2938AB | s | 64.90 |
| | | L FJA2939AB | s | 64.90 |
| 5 | Panel, Valance | R FJE1992AC | s | 18.25 |
| | | L FJE1993AC | s | 18.25 |
| | #Included w/Apron Assy | | | |
| 6 | Reinf, Lower | R FJA1170AC | | 172.05 |
| | | L FJA1171AC | | 172.05 |
| 7 | Sidemember Assy | 97-00 R FJD3848CA | s #7.6 | 970.00 |
| | | L FJD3849CA | s #7.6 | 970.00 |
| | | 01-02 R FJE3848AB | s #7.6 | 985.00 |
| | | L FJE3849AB | s #7.6 | 985.00 |
| | | 03-05 R FJG3848AA | s #7.6 | 875.00 |
| | | L FJG3849AA | s #7.6 | 875.00 |
| | #w/Necessary Bolted Parts & Assemblies Removed, w/Apron Removed Deduct 3.0 | | | |
| 8 | Extension, Crossmember (a) | R FJE2032AC | s | 20.15 |
| | | L FJE2033AC | s | 20.15 |
| 9 | Panel, Extension (a) | R FJE1842AB | s | 71.60 |
| | | L FJE1843AB | s | 71.60 |
| | (a) Included w/Sidemember Assy | | | |

SUB-FRAME



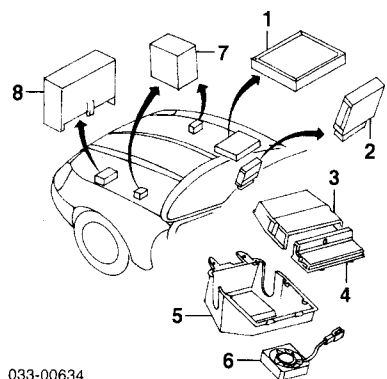
033-01166

| | | | | |
|---|--|---------------------|--------|---------|
| 1 | Sub-Frame, Front | 97-00 MJ2232BA | m #2.5 | 1600.00 |
| | | 01-05 C2N002797 | m #2.5 | 1850.00 |
| | #w/Necessary Bolted Parts Removed, Not Included in O/M Suspension, Includes Support Engine | | | |
| 2 | Bushing, Front Mount | R/L MJA2370AJ | | 26.20 |
| 3 | Mount, Front | R/L MJA2360AH | | 48.00 |
| 4 | Bracket, Mounting | 97-00 R/L MJA2547AA | | 20.20 |
| | | 01-05 R MJE2540AC | | 40.35 |
| | | L MJE2541AC | | 40.35 |

ELECTRICAL COMPONENTS

Illustration Located in Next Column

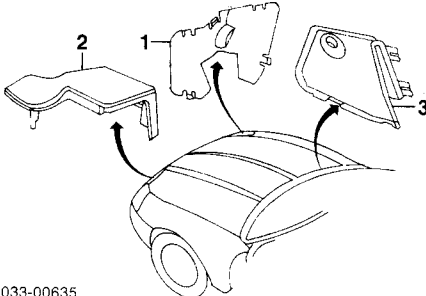
| | | | | |
|---|-------------------------|-------------|------|---------|
| 1 | Module, Eng Control | C2N002475 | m .5 | 1030.00 |
| | XK8 | C2N002476 | m .5 | 1030.00 |
| | XKR | LJB2500AF55 | m .9 | 565.00 |
| 2 | Module, Body Processor | | | |
| | #Order by Application | | | |
| 3 | Housing, Frt Up Module | LJB2410DA | m | 19.90 |
| 4 | Housing, Rear Up Module | | | |



033-00634

| | | | |
|---------------------------------|-----------|---|-----------|
| 1997 | LJA2410BB | m | 18.90 |
| 1998 | LJA2410BB | m | 18.90 |
| To VIN 024686 | LJB2410BA | m | 19.50 |
| From VIN 024687 | LJB2410BA | m | 19.50 |
| 1999-05 | LJB2410BA | m | 19.50 |
| 5 Housing, Lower Module | | | |
| To VIN A33944 | LJB2410CA | m | 51.10 |
| From VIN A33945 | LJB2410CB | m | 46.60 |
| 6 Fan, Cooling | LJB2412BA | m | 1.3 57.70 |
| 7 Box, Eng Fuse (18-Way) | | | |
| 1997 | LJA2800CE | m | 123.60 |
| 1998 | LJB2800FA | m | 126.20 |
| 1999 | LJC2800CA | m | 112.30 |
| 2000-03 | LJD2800CB | m | 112.05 |
| 2004-05 | | | |
| To VIN A33834 | LJG2800CB | m | 106.90 |
| From VIN A33835 to VIN A36873 | LJG2800CC | m | 96.05 |
| From VIN A36874 | LJG2800CD | m | 94.50 |
| 8 Box, Eng Fuse (22-Way) | | | |
| 1997 | LJA2822AF | m | 146.00 |
| 1998-03 | LJD2822AA | m | 146.90 |
| 2004-05 | | | |
| To VIN A36873 | LJG2822AB | m | 125.70 |
| From VIN A36874 | LJG2822AC | m | 113.05 |

FRONT COVERS



033-00635

| | | | |
|----------------------------------|-------------|-----|-------|
| 1 Cover, H/Lamp Mtg Plate | HJA2697BA | | 15.60 |
| w/ H/Lamp Leveling | HJA2697CA | | 18.90 |
| w/o H/Lamp Leveling | NJA3984AC | | 20.80 |
| 2 Cover, Eng Comp | R NJE3978AC | #.2 | 27.35 |
| 3 Cover, Cowl | L NJE3979AC | #.2 | 27.35 |

#R&R Both .3

AIR BAG SYSTEM

Use Procedure Explanation 30 with the following text.

NOTE 1: R&R Does Not include disable and enable or diagnose Air Bag System.

NOTE 2: Refer to Procedural Explanation 30 for Supplemental Restraint/Air Bag System Component Inspection and Replacement Information.

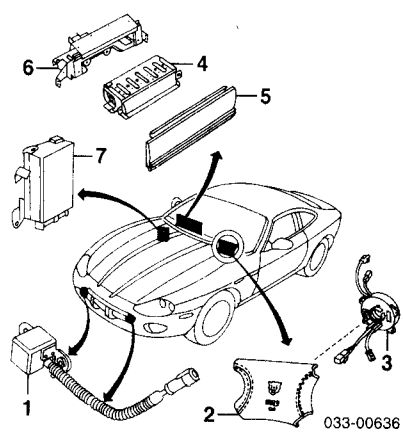
NOTE 3: For Air Bag System Service procedures, refer to Manufacturer's Service Repair Manual or Mitchell's Air Bag Service and Repair Manual.

FRONT

| | | |
|---------------------------------------|---|----|
| Disable & Enable Air Bag System | m | .3 |
|---------------------------------------|---|----|

Illustration Located in Next Column

| | | | |
|---------------------------------|-----------|---|-----------|
| 1 Sensor, Impact | HJA9660AA | m | .5 87.55 |
| 1997-00 (2) | C2C023972 | m | .5 172.55 |
| 2001-05 | | | |
| 2 Module, Driver Air Bag | | | |
| 1997-99 | | | |

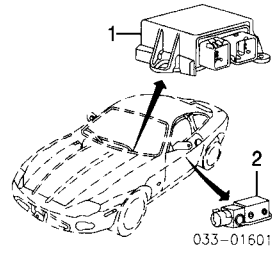


033-00636

| | | | |
|-------------------------------|---------------|---|------------|
| Antelope | HJB9180CBAGE | m | .5 451.00 |
| Charcoal | HJB9180CBLEG | m | .5 451.00 |
| Coffee | HJA9180CCSDC | m | .5 0.00 |
| Sable | HJB9180CCBAEK | m | .5 451.00 |
| Teal | HJB9180CBHDV | m | .5 438.00 |
| 2000-02 | | | |
| w/Adaptive Speed Control | | | |
| Antelope | HXD9180BAAGE | m | .5 0.00 |
| Charcoal | HXD9180BALEG | m | .5 1230.00 |
| Sable | HXD9180BAAEK | m | .5 0.00 |
| w/o Adaptive Speed Control | | | |
| Antelope | HJE9180CCAGE | m | .5 1010.00 |
| Charcoal | HJB9180CCLEG | m | .5 505.00 |
| Sable | HJE9180CCA EK | m | .5 1010.00 |
| 2003-05 | | | |
| Charcoal | C2N003452LEG | m | .5 1270.00 |
| Sable | C2N003452AEK | m | .5 1270.00 |
| 3 Clockspring | | | |
| 97-00 | LJA6470CA | m | 1.0 123.10 |
| 01-05 | LJE6470AB | m | 1.0 128.75 |
| 97-98 | HNA9670BA | m | .7 560.00 |
| 99-05 | HJB9670AA | m | .7 382.00 |
| 5 Door, Pass Module | HJE9007AC | | 325.00 |
| 97-00 | HJA8997DA | | 20.50 |
| 01-05 | HJE9046AB | | 18.70 |
| 97-02 | HJA9682AA | m | .9 595.00 |
| 03-05 | HJE9680AE | m | .9 284.00 |
| 4 Module, Pass Air Bag | | | |
| 6 Brkt, Module | | | |
| 7 Module, Diagnosis | | | |

SIDE

| | | |
|---------------------------------------|---|----|
| Disable & Enable Air Bag System | m | .3 |
|---------------------------------------|---|----|



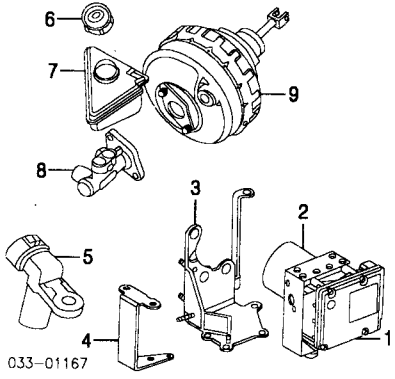
033-01601

| | | | |
|-------------------------------|---------------|---|------------|
| Module, Side Air Bag | R/L XR8011791 | m | #.6 169.95 |
| #w/Front Seat Assy Removed | | | |
| 1 Module, Control | C2N003057 | m | .8 585.00 |
| 2 Sensor, Side Air Bag | R/L C2C023972 | m | .5 172.55 |

ABS/BRAKES

| | | |
|--------------------|---|----|
| Bleed System | m | .4 |
|--------------------|---|----|

NOTE: R&R Does Not include bleed brake system.

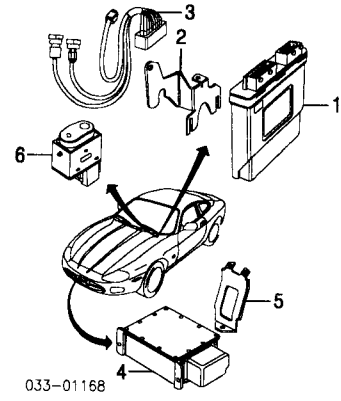


033-01167

| | | | |
|--------------------------|--|--|--|
| 1 Module, Control | | | |
|--------------------------|--|--|--|

| | | | | |
|----------------------------------|-----------|-----------|---|-------------|
| 1997-02 | | | | |
| w/Traction Control | 97 | JLM020130 | m | 1.0 1320.00 |
| | 98-99 | JLM020556 | m | 1.0 1170.00 |
| | 00-02 | JLM021323 | m | 1.0 1410.00 |
| w/o Traction Control | 97 | JLM020129 | m | 1.0 1430.00 |
| | 98-02 | JLM020555 | m | 1.0 1170.00 |
| | | C2N003651 | m | 1.0 1850.00 |
| 2 Control Unit, Hydraulic | | | | |
| 1997-02 | | | | |
| w/Traction Control | 97-99 | JLM020554 | m | 1.3 1220.00 |
| | 00-02 | JLM021322 | m | 1.3 1420.00 |
| w/o Traction Control | | JLM020553 | m | 1.3 1350.00 |
| 2003-05 | | C2N002613 | m | 1.3 1525.00 |
| 3 Brkt, Modulator Mtg | | MJB5911AA | | 52.55 |
| 4 Cover, Mtg Bracket | | MJB5927BA | | 17.30 |
| 5 Sensor, ABS | | | | |
| Front | 97-02 R/L | LJA2226AA | m | .5 273.00 |
| | 03-05 R/L | XR8022753 | m | .5 198.80 |
| Rear | 97-02 R/L | LJA2226AA | m | .5 273.00 |
| | 03-05 R/L | XR8022753 | m | .5 198.80 |
| 6 Cap, Reservoir | | JLM021215 | m | 45.70 |
| 7 Reservoir | | JLM012082 | m | 149.35 |
| 8 Cylinder, Brake Master | | | | |
| 1997-99 | | | | |
| 3 Hole | | JLM020266 | m | 1.6 445.00 |
| 4 Hole | | JLM021164 | m | 1.6 398.00 |
| 2000-02 | | JLM021164 | m | 1.6 398.00 |
| 2003-05 | | C2N001911 | m | 1.6 740.00 |
| 9 Booster, Brake | | | | |
| 1997-99 | | | | |
| 3 Hole | | JLM012188 | m | #.4 590.00 |
| 4 Hole | | JLM021163 | m | #.4 525.00 |
| 2000-02 | | JLM021163 | m | #.4 525.00 |
| 2003-05 | | C2N001910 | m | #.4 680.00 |

CRUISE CONTROL SYSTEM



033-01168

| | | | |
|----------------------------------|-----------|---|------------|
| 1 Module, Cruise Control | LJD1962AA | m | 1.0 845.00 |
| 2 Bracket, Module | LJD3916BA | | 11.20 |
| 3 Harness, Cruise Control | JLM021210 | m | .5 124.90 |
| 4 Sensor, Speed | C2C023960 | m | .8 2500.00 |
| 5 Bracket, Speed Sensor | LJD1961AA | | 75.45 |
| 6 Switch, Cruise Control | | | |
| 1997-02 | LJD6227AA | m | .3 41.60 |
| 2003-05 | C2N001371 | m | .3 36.00 |
| XK8 | C2N001385 | m | .3 33.70 |
| XKR | C2N002253 | m | .3 33.70 |

WHEEL

Use Procedure Explanation 10 with the following text.

ALLOY WHEEL

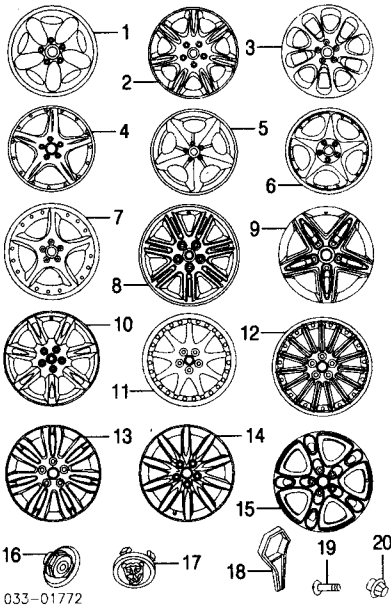
| | |
|--|----|
| Add to R&I Spare Wheel & Tire Assy | .2 |
|--|----|

Illustration Located in Next Column

| | | | |
|---------------------|------------|----|--------|
| Wheel, Alloy | | | |
| 1 Type 1 | | | |
| Chrome | MJA6116BB | .3 | 710.00 |
| Silver | MJA6116AB | .3 | 477.00 |
| 2 Type 2 | | | |
| 7 Flute | | | |
| Front | MJA6118AC | .3 | 550.00 |
| Rear | MJA6118BC | .3 | 550.00 |
| Impeller | | | |
| Front | MJE6118AA | .3 | 735.00 |
| Rear | MJE6118BA | .3 | 565.00 |
| 3 Type 3 | | | |
| Front | MJB6118AB | .3 | 483.00 |
| Rear | MJB6118BB | .3 | 483.00 |
| 4 Type 4 | | | |
| 18x8-1/2" | | | |
| Oyster | MXD6154AC | .3 | 880.00 |
| Silver | MXD6154CAN | .3 | 880.00 |
| 18x9" | | | |
| Oyster | MXD6154BC | .3 | 980.00 |
| Silver | MXD6154DAN | .3 | 980.00 |

WHEEL Cont'd

ALLOY WHEEL Cont'd

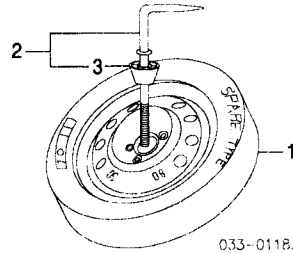


| | | | | |
|----|---------------------------|------------|--------|---------|
| 5 | Type 5 | MJD6116AB | .3 | 475.00 |
| 6 | Type 6 | | | |
| | Front | | | |
| | Oyster | MJC6156AB | .3 | 1190.00 |
| | Silver | MXD6156EAN | .3 | 1190.00 |
| | Rear | | | |
| | Oyster | MJC6156BB | .3 | 1290.00 |
| | Silver | MXD6156FAN | .3 | 1290.00 |
| 7 | Type 7 | | | |
| | Front | | | |
| | Oyster | MXD6156AB | .3 | 1190.00 |
| | Silver | MXD6156CB | .3 | 1190.00 |
| | Rear | | | |
| | Oyster | MXD6156BB | .3 | 1290.00 |
| | Silver | MXD6156DB | .3 | 1290.00 |
| 8 | Type 8 | | | |
| | Front | C2N003314 | .3 | 675.00 |
| | Rear | C2N003315 | .3 | 675.00 |
| 9 | Type 9 | C2N003336 | .3 | 464.00 |
| 10 | Type 10 | | | |
| | Front | C2N002888 | .3 | 780.00 |
| | Rear | C2N002889 | .3 | 815.00 |
| 11 | Type 11 | | | |
| | Front | | | |
| | Oyster | MXD6156GAN | .3 | 1190.00 |
| | Silver | MXD6156JAN | .3 | 1190.00 |
| | Rear | | | |
| | Oyster | MXD6156HAN | .3 | 1290.00 |
| | Silver | MXD6156KAN | .3 | 1290.00 |
| 12 | Type 12 | | | |
| | Front | C2N003121 | .3 | 1575.00 |
| | Rear | C2N003122 | .3 | 1750.00 |
| 13 | Type 13 | | | |
| | Front | C2N003015 | .3 | 510.00 |
| | Rear | C2N003016 | .3 | 565.00 |
| 14 | Type 14 | | | |
| | Front | C2N003017 | .3 | 780.00 |
| | Rear | C2N003018 | .3 | 855.00 |
| 15 | Type 15 | | | |
| | Front | MJE6118CA | .3 | 515.00 |
| | Rear | MJE6118DA | .3 | 515.00 |
| 16 | Cap, Center (Wrench Type) | | | |
| | Oyster | MXD6240AA | 120.25 | |
| | Silver | MXD6240BA | 115.40 | |
| 17 | Cap, Center (Pop-In Type) | | | |
| | 1997-02 | | | |
| | XK8 | MNA6249AB | 20.75 | |
| | XKR | | | |
| | w/Silverstone | MXD6249CA | 24.20 | |
| | w/o Silverstone | MXD6249AA | 20.00 | |
| | 2003-05 | C2C028061 | 17.75 | |
| 18 | Wrench, Spanner | MXD6160AA | d5.95 | |
| 19 | Stem, Valve | XR8006367 | 7.25 | |
| | Order by Application | | | |
| 20 | Nut, Lug | CCC007028 | 19.65 | |

SPARE WHEEL & HARDWARE

| | | | | |
|---|--------------|-----------|--------|--|
| 1 | Wheel, Spare | | | |
| | w/Perf Pkg | MXD6109AC | 645.00 | |

Illustration Located in Next Column



| | | |
|--------------|-----------------------------------|----------------|
| w/o Perf Pkg | MJA6109AC | d195.70 |
| 2 | Clamp Assy, Spare Wheel | |
| | Std Wheel | MJA6190BC 6.10 |
| | Space Saver Wheel | MJA6190AC 5.85 |
| 3 | Washer, Clamp | MJA6192AA 1.40 |
| | Included w/Spare Wheel Clamp Assy | |

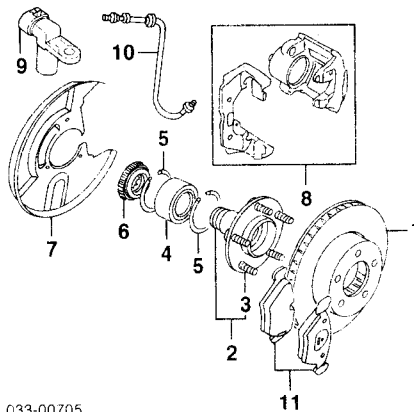
FRONT SUSPENSION

Use Procedure Explanation 11 with the following text.

| | | |
|---|------|--------|
| R&I Suspension (One Side) | R/Lm | 2.2 |
| R&R Brake Rotor | R/Lm | # 8 |
| #R&R Both Sides 1.4 | | |
| R&R Coil Spring | R/Lm | #1.2 |
| #Included in R&R /Shock Absorber | | |
| O/H Suspension (Includes R&I) | R/Lm | 6.2 |
| One Side | | m 12.2 |
| Both Sides | | m 12.2 |
| Adjust Four Wheel Alignment | | m 2.2 |
| Bleed Brake System | | m .4 |

NOTE 1: R&I/R&R or O/H Does Not include alignment or bleed brake system.

NOTE 2: All Parts in this section are included in overhaul unless noted otherwise.



033-00705

| | | | | |
|---|---|---------------------|-------------|--------------|
| 1 | Rotor, Brake | | | |
| | 1997-99 | JLM020617 | m | # 226.60 |
| | 2000-02 | | | |
| | w/Perf Pkg | JLM021749 | m | # 700.00 |
| | w/o Perf Pkg | JLM020617 | m | # 226.60 |
| | 2003-05 | | | |
| | Ventilated Rotors | C2N003427 | m | # 580.00 |
| | Non-Ventilated Rotors | | | |
| | w/Brembo Brakes | C2N003428 | m | # 580.00 |
| | w/o Brembo Brakes | JLM020617 | m | # 226.60 |
| | Set of 2 | | | |
| | Labor for Installation, See Headnotes | | | |
| 2 | Hub Assy, Wheel | | | |
| | 1997-99 | R/L MJA1837AF | m | # 2.7 218.40 |
| | 1999-02 | R/L MNC1837BB | m | # 2.7 185.40 |
| | 2003-05 | | | |
| | w/Brembo Brakes | R/L MXD1837AA | m | # 2.7 202.40 |
| | w/o Brembo Brakes | R/L MNC1837BB | m | # 2.7 0.00 |
| | Includes R&R Rotor | | | |
| 3 | Stud, Wheel (a) (5/Side) | | | |
| | Splined | R/L JZB100064 | m | 2.25 |
| | Threaded | R/L CAC003878 | m | 3.40 |
| | (a) Included w/Wheel Hub Assy | | | |
| 4 | Bearing, Wheel | 97-98 R/L MJA1830AE | m | # 2.7 63.35 |
| | 99-05 R/L MNC1830AA | m | # 2.7 62.60 | |
| | Includes R&I/R&R Wheel Hub Assy & Rotor | | | |
| 5 | Ring, Retainer (2/Side) | 97-98 R/L JCR110765 | m | 2.50 |
| | 99-05 R/L JCR110805 | m | 1.95 | |
| 6 | Rotor, Speed Sensor | R/L MJA1849BE | m | 19.40 |
| 7 | Shield, Splash | | | |
| | 1997-99 | R MJA1932AA | m | # 2 20.25 |
| | | L MJA1933AA | m | # 2 20.25 |
| | 2000-05 | | | |
| | w/Perf Pkg | R MXD1932AA | m | # 2 56.90 |
| | | L MXD1933AA | m | # 2 56.90 |
| | w/o Perf Pkg | R MJA1932AA | m | # 2 20.25 |
| | | L MJA1933AA | m | # 2 20.25 |
| | Includes Wheel Hub Removed | | | |

8 Caliper, Brake

| | | | | |
|-------------------|-----------------|---|--------------|--|
| 1997-99 | | | | |
| 305mm Brake Rotor | R/L JLM021465-6 | m | #1.2 545.00 | |
| 325mm Brake Rotor | R/L JLM021467-8 | m | #1.2 545.00 | |
| 2000-02 | | | | |
| w/Perf Pkg | R/L JLM021315-6 | m | #1.2 d820.00 | |
| w/o Perf Pkg | R/L JLM021467-8 | m | #1.2 545.00 | |
| 2003-05 | | | | |
| w/Supercharger | | | | |
| Gray | R/L C2N002144-5 | m | #1.2 655.00 | |
| Red | R/L C2N003247-8 | m | #1.2 650.00 | |
| w/o Supercharger | | | | |
| w/Brembo Brakes | R MXD1512CA | m | #1.2 840.00 | |
| | L MXD1513CA | m | #1.2 840.00 | |
| w/o Brembo Brakes | R/L JLM021467-8 | m | #1.2 545.00 | |

#Rotor Removed Deduct .6

9 Sensor, ABS-See ABS/Brakes Section

10 Hose, Brake

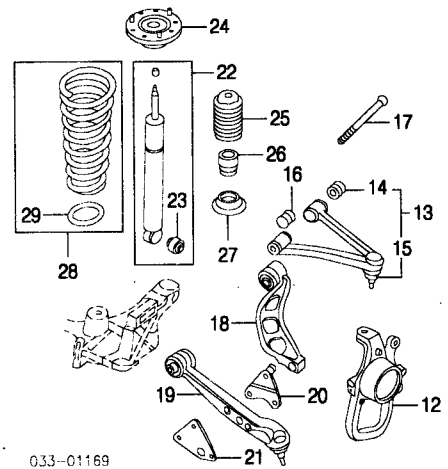
| | | | |
|-----------------|---------------|---|-----------|
| 1997-98 | R/L MJA5670AD | m | # 4 40.85 |
| 1999 | | | |
| To VIN A37347 | R/L MJA5670AD | m | # 4 40.85 |
| From VIN 037348 | R/L MJB5670AA | m | # 4 36.60 |
| 2000-02 | | | |
| w/Perf Pkg | R/L MXD5670AC | m | # 4 75.45 |
| w/o Perf Pkg | R/L MJB5670AA | m | # 4 36.60 |
| 2003-05 | | | |
| w/Perf Pkg | | | |
| To VIN A37216 | R/L MXD5670AC | m | # 4 75.45 |
| From VIN A37217 | R/L C2N003107 | m | # 4 79.85 |
| w/o Perf Pkg | R/L MJB5670AA | m | # 4 36.60 |

#w/Caliper Removed Deduct .3

11 Pad Set, Brake

| | | | |
|-------------------|-----------|---|--------------|
| 1997-99 | JLM001829 | m | # 2.4 112.30 |
| 2000-02 | | | |
| w/Perf Pkg | MXD1550AB | m | # 2.4 324.00 |
| w/o Perf Pkg | JLM001829 | m | # 2.4 112.30 |
| 2003-05 | | | |
| w/Brembo Brakes | MXD1550AB | m | # 2.4 324.00 |
| w/o Brembo Brakes | MJE2001AB | m | # 2.4 95.80 |

#Deduct 1.2 for Each Caliper Removed



033-01169

12 Knuckle

| | | | |
|--------------|-----------------|---|--------------|
| 1997-98 | R/L JLM020887-6 | m | # 2.7 422.00 |
| 1999 | R MNC1628AA | m | # 2.7 418.00 |
| | L MNC1629AA | m | # 2.7 418.00 |
| 2000-02 | | | |
| w/Perf Pkg | R MXD1628AA | m | # 2.7 535.00 |
| | L MXD1629AA | m | # 2.7 535.00 |
| w/o Perf Pkg | R MNC1628AA | m | # 2.7 418.00 |
| | L MNC1629AA | m | # 2.7 418.00 |
| 2003-05 | | | |
| w/Perf Pkg | R MXD1628AB | m | # 2.7 535.00 |
| | L MXD1629AB | m | # 2.7 535.00 |
| w/o Perf Pkg | R MNC1628AA | m | # 2.7 418.00 |
| | L MNC1629AA | m | # 2.7 418.00 |

#R&R One Side Complete, Includes R&R Hub, Bearings, Retainers, Rotor & Splash Shields

| | | | | |
|----|-------------------------|-------------|---|---------------|
| 13 | Arm Assy, Upper Control | R JLM021377 | m | # 1.7 d167.90 |
| | | L JLM021378 | m | # 1.7 167.90 |

#w/Knuckle Removed Deduct .3

| | | | | |
|----|--|---------------|---|-------------|
| 14 | Bushing, Upr Arm (b) (2/Side) | R/L MJA1462AB | m | # 2.1 29.90 |
| | Includes R&I/R&R Upper Control Arm Assy, w/Knuckle Removed Deduct .3 | | | |

| | | | | |
|----|---|---------------|---|--------------|
| 15 | Joint, Ball (b) (c) | R/L JLM021380 | m | # 1.2 d46.30 |
| | (b) Included w/Upper Control Arm Assy, #w/Knuckle Removed Deduct .3 | | | |

| | | | | |
|----|------------------------------|---------------|---|------|
| 16 | Shim, Pivot Pin (c) (2/Side) | R/L MJA1467BA | m | 3.00 |
| | (c) Order by Application | | | |

| | | | | |
|----|-------------------------|-----------------|---|------------|
| 17 | Shaft, Arm Pivot | R/L MJA1455AD | m | 50.45 |
| 18 | Arm, Frt Lower Control | R/L MJF1346AA | m | # 5 241.55 |
| 19 | Arm, Rear Lower Control | R/L JLM021304-5 | m | # 5 209.10 |

#R&R One Side Complete, w/Steering Knuckle Removed Deduct .2

| | | | | |
|----|------------------------|-------------|---|------|
| 20 | Plate, Frt Damper Mtg | R MJA1372AA | m | 4.05 |
| | | L MJA1373AA | m | 4.05 |
| 21 | Plate, Rear Damper Mtg | R MJA1374AA | m | 7.05 |
| | | L MJA1375AA | m | 7.05 |

| | | | | |
|----|------------------------------|---------------|---|------------|
| 22 | Absorber Assy, Shock | | | |
| | 1997-02 | | | |
| | w/Adaptive Damping Cont Susp | R/L MXD2140AA | m | # 1.2 0.00 |
| | w/Perf Pkg | | | |

| | | | | |
|------------------------------------|---------------|---|------|--------|
| w/o Perf Pkg | R/L MJB2140EB | m | #1.2 | 357.00 |
| w/ Adaptive Damping Cont Susp | R/L MJA2140DJ | m | #1.2 | 233.85 |
| 2003-05 | | | | |
| w/Perf Pkg | R/L MXD2140AB | m | #1.2 | 402.00 |
| w/o Perf Pkg | | | | |
| w/ Adaptive Damping Cont Susp | R/L MJB2140EC | m | #1.2 | 334.00 |
| w/ Adaptive Damping Cont Susp | R/L MJA2140DJ | m | #1.2 | 233.85 |
| 23 Bushing, Lower (d) | R/L MJA2153AB | m | #1.2 | 18.50 |
| (d) Included w/Shock Absorber Assy | | | | |
| 24 Plate, Upper Mtg | R/L MJA2170BD | m | #1.2 | 149.90 |
| 25 Boot, Damper | R/L MJA2148AA | m | #1.2 | 13.00 |
| 26 Bumper | R/L MJA2150BA | m | #1.2 | 16.90 |
| 27 Plate, Lwr Spring | R/L MJA2166BC | m | #1.2 | 7.45 |

#R&R One Side Complete

28 Spring Assy, Coil (e) (f)
Coupe
1997

| | | | | |
|-----------------|-----------|---|---|--------|
| To VIN 014439 | JLM020162 | m | # | 262.00 |
| From VIN 014440 | JLM020711 | m | # | 252.00 |
| 1998-99 | JLM020711 | m | # | 252.00 |
| 2000-02 | JLM020689 | m | # | 264.00 |
| 2003-05 | | | | |

w/Supercharger

| | | | | |
|--------------|-----------|---|---|--------|
| w/Perf Pkg | JLM021276 | m | # | 0.00 |
| w/o Perf Pkg | JLM020689 | m | # | 264.00 |

w/o Supercharger

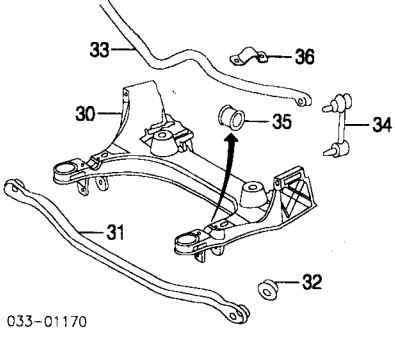
| | | | | |
|--------------|-----------|---|---|--------|
| w/Perf Pkg | JLM021277 | m | # | 0.00 |
| w/o Perf Pkg | JLM020710 | m | # | 205.00 |

Conv

| | | | | |
|---------|-----------|---|---|--------|
| 1997-99 | JLM020712 | m | # | 252.00 |
| 2000-05 | JLM020706 | m | # | 276.00 |

(e) Order by Application
(f) Set of 2
#Labor for Installation, See Headnotes

29 Spacer, Spring (g) R/L MJA2162AA m # 2.25
(g) Included w/Coil Spring Assy



30 Sub-Frame, Front-See Front Inner Structure Section

31 Bar, Sway MJA2260AE m #.4 54.35
#Not Included in O/H

32 Nut, Lock (2) JFX11404E m 1.80

33 Bar, Stabilizer MJA2100DH m #.8 195.70
1997-99
2000-05
w/Perf Pkg MXD2100AA m #.8 205.00
w/o Perf Pkg MJA2100DH m #.8 195.70
#Includes R&R Bushings & Brackets, Not Included in O/H

34 Link, Outer Bar R/L MJA2105AG m #.6 70.85
#Not Included in O/H, w/Stabilizer Removed Deduct .3

35 Bushing, Stabilizer Bar R/L MJA2102CE m #.7 10.25
1997-99
2000-05
w/Perf Pkg R/L MXD2102AA m #.7 6.90
w/o Perf Pkg R/L MJA2102CE m #.7 10.25

36 Bracket, Bushing R/L MJA2101AA m #.7 4.05
#R&R Complete, Included in R&R Stabilizer Bar, Not Included in O/H

FRONT STEERING LINKAGE/GEAR

R&L Steering Gear.....m 2.6
NOTE: R&R/R&R Does Not include check or adjust alignment.

Illustration Located in Next Column

1 Gear Assy, Steering

New

| | | | | |
|--------------|-----------|---|-----|---------|
| 1997 | N.A. | m | 2.6 | 0.00 |
| 1998 | N.A. | m | 2.6 | 0.00 |
| 1999 | MJC3901AC | m | 2.6 | 3200.00 |
| 2000-05 | | | | |
| w/Perf Pkg | MXD3901AB | m | 2.6 | 2900.00 |
| w/o Perf Pkg | MJC3901AC | m | 2.6 | 3200.00 |

Remanufactured

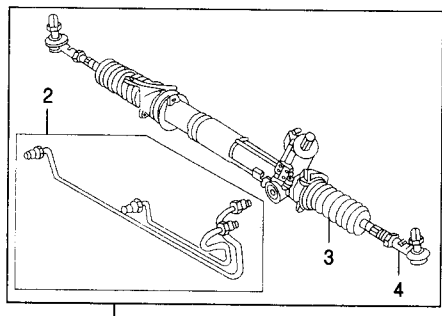
| | | | | |
|---------|------------|---|-----|---------|
| 1997 | MJA3901ADE | m | 2.6 | 1350.00 |
| 1998 | MNC3901BCE | m | 2.6 | 1410.00 |
| 1999-05 | MJC3901ABE | m | 2.6 | 1180.00 |

2 Tube Set, Steering Gear JLM021603 m 55.65

3 Boot, Dust JLM020683 R/L m #.3 56.90

4 End, Tie Rod JLM001098 R/L m #.3 75.70
#Included w/Steering Gear Assy
#R&R One Side Complete

5 Bushing, Mounting

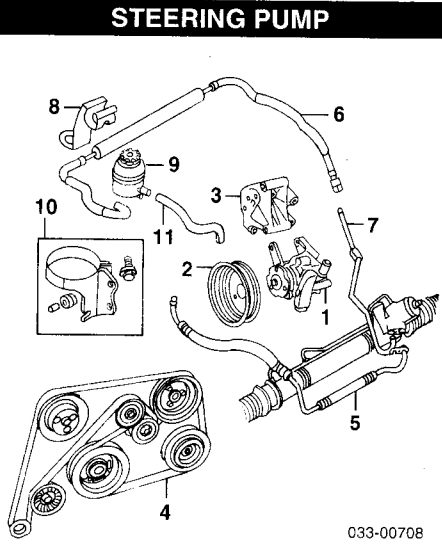


033-01363

| | | | |
|---------------------|-------------|---|-------|
| 1997 | R MNC3953AC | m | 5.10 |
| | L MNC3953BC | m | 5.10 |
| 1998 | R MNC3953AC | m | 5.10 |
| | L MNC3953BC | m | 5.10 |
| To VIN 024686 | | | |
| From VIN 024687 | R MJB3953AA | m | 4.95 |
| | L MJB3953BA | m | 12.40 |
| 1999 | R MJB3953AA | m | 4.95 |
| | L MJB3953BA | m | 12.40 |
| 2000-05 | | | |
| w/Perf Pkg | R MXD3953BA | m | 5.75 |
| | L MXD3953AA | m | 5.75 |
| w/o Perf Pkg | R MJB3953BA | m | 12.40 |
| | L MJB3953AA | m | 4.95 |
| 6 Brkt, Mtg Bushing | R MJA3952EA | m | 38.25 |
| | L MJA3952DA | m | 38.25 |

033-01170

| | | | | |
|----------------------------------|-----------------|---|----|--------|
| 1997-99 | LJA6460BC | m | .8 | 121.30 |
| 2000-05 | | | | |
| w/Rain Sensor | LJD6460AA | m | .8 | 160.70 |
| w/o Rain Sensor | LJA6460BC | m | .8 | 121.30 |
| 7 Switch, Turn Signal | LJB6455AA | m | .8 | 169.95 |
| w/Auto H/Lamps | LJA6455BC | m | .8 | 166.90 |
| w/o Auto H/Lamps | LJE6475AB | m | .8 | 23.25 |
| 8 Plate, Switch Mtg | LJA6490AC | m | .7 | 150.65 |
| 9 Module, Lighting | | | | |
| 10 Cover, Upper Column | | | | |
| 1997-02 | | | | |
| Antelope | HJA9340CAAGE | m | .5 | 51.25 |
| Coffee | HJA9340CASDC | m | .5 | 51.25 |
| Dark Teal | HJA9340CAHDV | m | .5 | 51.25 |
| Sable | HJA9340CAAEK | m | .5 | 51.25 |
| Slate | HJA9340CALFK | m | .5 | 39.45 |
| Warm Charcoal | HJA9340CALEG | m | .5 | 51.25 |
| 2003-05 | | | | |
| Charcoal | C2N002607LEG | m | .5 | 43.60 |
| Sable | | | | |
| To VIN A36873 | C2N001777AEK | m | .5 | 43.60 |
| From VIN A36874 | C2N002607AEK | m | .5 | 43.60 |
| 11 Finisher, Upper Cover | HJA9344AA | m | | 4.85 |
| 12 Cover, Lwr Column | | | | |
| 1997-02 | | | | |
| w/Pwr Adjust | | | | |
| Antelope | HJA9346BBAGE | m | .5 | 46.65 |
| Coffee | HJA9346BASDC | m | .5 | 51.25 |
| Dark Teal | HJA9346BAHDV | m | .5 | 51.25 |
| Sable | HJA9346BBAEK | m | .5 | 46.65 |
| Slate | HJA9346BALFK | m | .5 | 33.80 |
| Warm Charcoal | HJA9346BBLEG | m | .5 | 46.65 |
| w/o Pwr Adjust | | | | |
| Antelope | HJA9348BBAGE | m | .5 | 46.65 |
| Coffee | HJA9348BASDC | m | .5 | 51.25 |
| Dark Teal | HJA9348BAHDV | m | .5 | 33.80 |
| Sable | HJA9348BBAEK | m | .5 | 46.65 |
| Slate | HJA9348BALFK | m | .5 | 30.70 |
| Warm Charcoal | HJA9348BBLEG | m | .5 | 46.65 |
| 2003-05 | | | | |
| Charcoal | C2N001531LEG | m | .5 | 41.40 |
| To VIN A36873 | C2N002608LEG | m | .5 | 43.60 |
| From VIN A36874 | | | | |
| Sable | | | | |
| To VIN A36873 | C2N001531AEK | m | .5 | 41.40 |
| From VIN A36874 | C2N002608AEK | m | .5 | 43.60 |
| #Includes R&R Upper Column Cover | | | | |
| 13 Ring, Ignition Trim | HJA9341AA | m | | 1.65 |
| 14 Switch, Power Adjust | 97-02 LNA6465AA | m | | 64.40 |
| 15 Switch, Lighting | LJA6500AB | m | .6 | 135.70 |
| 16 Finisher, Lower Cover | HJA9350AB | m | | 8.65 |



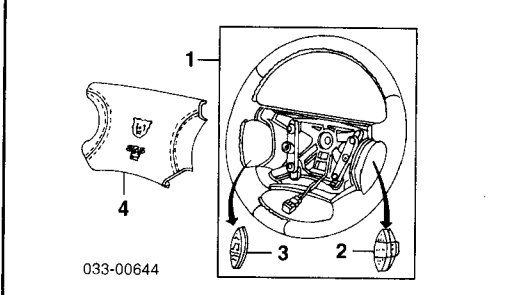
033-00708

| | | | | |
|-----------------------------------|-----------------|---|-----|--------|
| 1 Pump, Steering | 97-02 MJA8111BH | m | 1.5 | 212.70 |
| | 03-05 C2C001079 | m | 1.5 | 172.55 |
| 2 Pulley, Pump | NCA3740AD | m | .5 | 30.20 |
| 3 Brkt, Pump Mtg | NCA8301AB | m | | 62.05 |
| 4 Belt, Drive-See Cooling Section | | | | |
| 5 Hose, Pump/Gear | 97-02 MJB3985AB | m | .6 | 87.30 |
| | 03-05 C2N001068 | m | .6 | 86.80 |
| 6 Cooler, Oil | | | | |
| 1997-02 | | | | |
| XK8 | MJA8084AB | m | .8 | 101.20 |
| XKR | MJB8084AA | m | .8 | 203.95 |
| 2003-05 | C2N002127 | m | .8 | 118.20 |
| 7 Hose, Cooler/Reservoir | MJE3999AA | m | .4 | 51.50 |
| 8 Brkt, Oil Cooler | 97-03 MJE8081AA | m | | 7.40 |
| | 04-05 MJE8081BA | m | | 4.05 |
| #Order by Application | | | | |
| 9 Reservoir, Fluid | MJF4000AA | m | .6 | 73.40 |
| 10 Bracket, Reservoir | MJB4003AB | m | | 14.80 |
| 11 Hose, Reservoir/Pump | 97-02 MJA3980AD | m | .3 | 29.00 |
| | 03-05 C2N001066 | m | .3 | 108.70 |

STEERING WHEEL/COLUMN

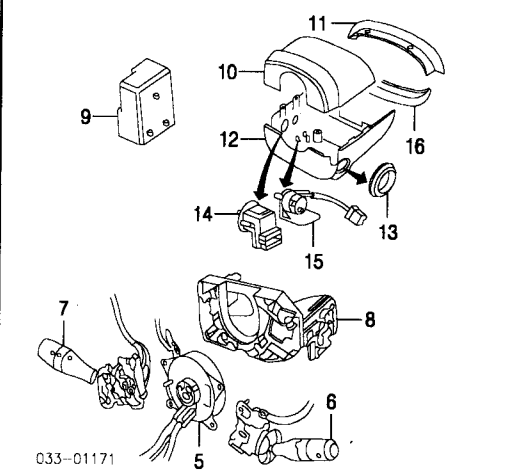
NOTE: All Parts in this section are included in overhaul unless noted otherwise.

WHEEL & TRIM



033-00644

| | | | | |
|---|--------------|---|----|---------|
| 1 Wheel, Steering | HJE9180CCLEG | m | .9 | 1010.00 |
| #Order by Application | | | | |
| 2 Switch, Cruise Control-Serviced w/Steering Wheel | | | | |
| 3 Switch, Radio Control-Serviced w/Steering Wheel | | | | |
| 4 Module, Driver Air Bag-See Air Bag System Section | | | | |



033-01171

| | | | | |
|--|-----------------|---|----|--------|
| 5 Clockspring-See Air Bag System Section | | | | |
| 6 Switch, Wiper | | | | |
| 1997-99 | LJA6460BC | m | .8 | 121.30 |
| 2000-05 | | | | |
| w/Rain Sensor | LJD6460AA | m | .8 | 160.70 |
| w/o Rain Sensor | LJA6460BC | m | .8 | 121.30 |
| 7 Switch, Turn Signal | LJB6455AA | m | .8 | 169.95 |
| w/Auto H/Lamps | LJA6455BC | m | .8 | 166.90 |
| w/o Auto H/Lamps | LJE6475AB | m | .8 | 23.25 |
| 8 Plate, Switch Mtg | LJA6490AC | m | .7 | 150.65 |
| 9 Module, Lighting | | | | |
| 10 Cover, Upper Column | | | | |
| 1997-02 | | | | |
| Antelope | HJA9340CAAGE | m | .5 | 51.25 |
| Coffee | HJA9340CASDC | m | .5 | 51.25 |
| Dark Teal | HJA9340CAHDV | m | .5 | 51.25 |
| Sable | HJA9340CAAEK | m | .5 | 51.25 |
| Slate | HJA9340CALFK | m | .5 | 39.45 |
| Warm Charcoal | HJA9340CALEG | m | .5 | 51.25 |
| 2003-05 | | | | |
| Charcoal | C2N002607LEG | m | .5 | 43.60 |
| Sable | | | | |
| To VIN A36873 | C2N001777AEK | m | .5 | 43.60 |
| From VIN A36874 | C2N002607AEK | m | .5 | 43.60 |
| 11 Finisher, Upper Cover | HJA9344AA | m | | 4.85 |
| 12 Cover, Lwr Column | | | | |
| 1997-02 | | | | |
| w/Pwr Adjust | | | | |
| Antelope | HJA9346BBAGE | m | .5 | 46.65 |
| Coffee | HJA9346BASDC | m | .5 | 51.25 |
| Dark Teal | HJA9346BAHDV | m | .5 | 51.25 |
| Sable | HJA9346BBAEK | m | .5 | 46.65 |
| Slate | HJA9346BALFK | m | .5 | 33.80 |
| Warm Charcoal | HJA9346BBLEG | m | .5 | 46.65 |
| w/o Pwr Adjust | | | | |
| Antelope | HJA9348BBAGE | m | .5 | 46.65 |
| Coffee | HJA9348BASDC | m | .5 | 51.25 |
| Dark Teal | HJA9348BAHDV | m | .5 | 33.80 |
| Sable | HJA9348BBAEK | m | .5 | 46.65 |
| Slate | HJA9348BALFK | m | .5 | 30.70 |
| Warm Charcoal | HJA9348BBLEG | m | .5 | 46.65 |
| 2003-05 | | | | |
| Charcoal | C2N001531LEG | m | .5 | 41.40 |
| To VIN A36873 | C2N002608LEG | m | .5 | 43.60 |
| From VIN A36874 | | | | |
| Sable | | | | |
| To VIN A36873 | C2N001531AEK | m | .5 | 41.40 |
| From VIN A36874 | C2N002608AEK | m | .5 | 43.60 |
| #Includes R&R Upper Column Cover | | | | |
| 13 Ring, Ignition Trim | HJA9341AA | m | | 1.65 |
| 14 Switch, Power Adjust | 97-02 LNA6465AA | m | | 64.40 |
| 15 Switch, Lighting | LJA6500AB | m | .6 | 135.70 |
| 16 Finisher, Lower Cover | HJA9350AB | m | | 8.65 |

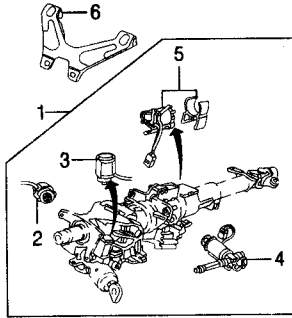
JAGUAR XK8/XKR 1997-05

STEERING WHEEL/COLUMN Cont'd

COLUMN TILT

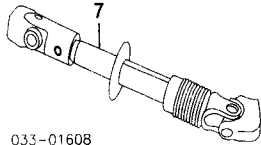
| | | |
|--|---|-----|
| R&I Steering Column | m | 3.0 |
| O/H Steering Column (Includes R&I) | m | 5.3 |

NOTE: All Parts in this section are included in overhaul unless noted otherwise.



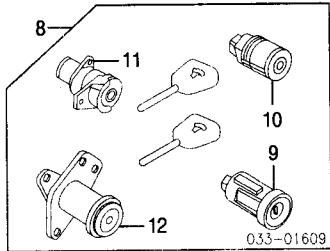
033-01607

| | | | | | |
|-----------------------|-----------------|---|-----|---------|--|
| 1 Column Assy | | | | | |
| 1997-02 | | | | | |
| w/Pwr Adjust | 97-00 HJA9263AF | m | 5.3 | 680.00 | |
| | 01-02 HJA9263BB | m | 5.3 | d510.00 | |
| w/o Pwr Adjust | 97-00 HJA9261AF | m | 5.3 | 765.00 | |
| | 01-02 HJA9261BB | m | 5.3 | d635.00 | |
| 2003-05 | | | | | |
| 2 Switch, Ignition | HJG9261AC | m | 5.3 | 785.00 | |
| 3 Solenoid, Interlock | LNC6507AA | m | .9 | 192.10 | |
| 4 Motor, Tilt | LNA5860AA | m | .8 | 180.25 | |
| 5 Motor, Telescopic | JLM012186 | m | 1.3 | 299.00 | |
| | JLM012187 | m | 1.3 | 299.00 | |
| 6 Bracket, Upper Mtg | 97-00 HJA9422AB | m | | 23.65 | |
| | 01-02 FJA2467AA | m | | .70 | |
| | 03-05 N.A. | m | | 0.00 | |



033-01608

| | | | | |
|---------------------------|-----------|---|----|--------|
| 7 Shaft, Lower (b) | MJE9503AC | m | .7 | 194.70 |
|---------------------------|-----------|---|----|--------|



033-01609

| | | | | |
|--|-----------|---|---|---------|
| 8 Lock Set, Complete (b) | C2N002405 | m | # | 435.00 |
| <i>(b) Order by Application</i> | | | | |
| <i>#Not Included in O/H</i> | | | | |
| 9 Cylinder, Ignition Lock (a) | BCC007849 | m | | d114.60 |
| 10 Cylinder, Glove Box Lock (a)-See Instrument Panel Section | | | | |
| 11 Cylinder, Door Lock (a)-See Front Door Section | | | | |
| 12 Cylinder, Lid Lock (a)-See Luggage Lid Section | | | | |
| <i>(a) Included w/Complete Lock Set</i> | | | | |

ENGINE/TRANS

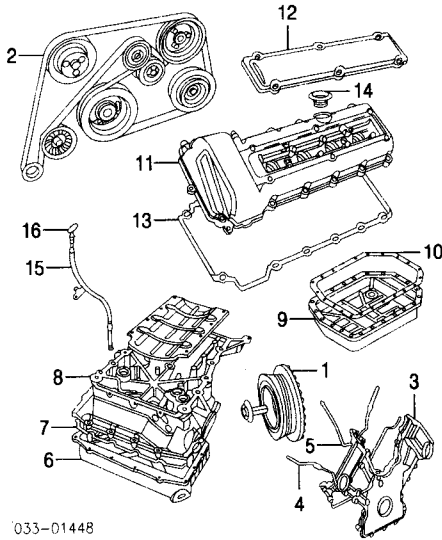
Use Procedure Explanation 12 with the following text.

1997-02

| | | |
|-----------------------|---|-----|
| R&I Engine Assy | m | 6.0 |
|-----------------------|---|-----|

Illustration Located in Next Column

| | | | | |
|-----------------------------|-----------|---|-----|--------|
| 1 Damper, Crankshaft | | | | |
| 1997 | | | | |
| To VIN 008242 | NCA1411AB | m | .8 | 243.60 |
| From VIN 008243 | AJ8001330 | m | .8 | 223.00 |
| 1998-99 | AJ8001330 | m | .8 | 223.00 |
| 2000-02 | | | | |
| XK8 | AJ8001330 | m | .8 | 223.00 |
| XKR | AJ8002733 | m | 1.1 | 223.55 |



033-01448

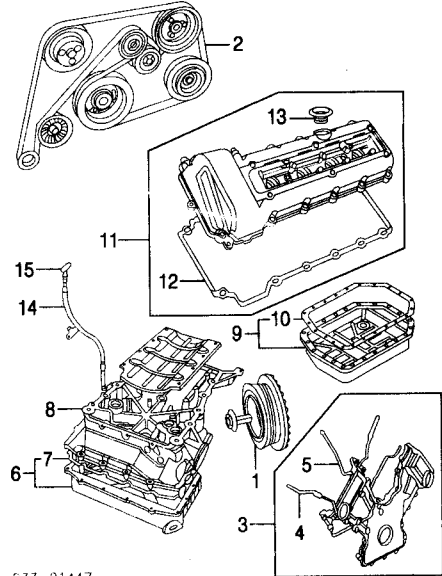
| | | | | |
|--|-------------|---|------|--------|
| 2 Belt, Drive-See Cooling Section | | | | |
| 3 Cover, Timing | | | | |
| 1997-98 | NCA2110AF | m | 5.6 | 750.00 |
| 1999 | AJ8001757 | m | 5.6 | 605.00 |
| 2000-02 | | | | |
| XK8 | AJ8001757 | m | 5.6 | 605.00 |
| XKR | AJ8001758 | m | 7.6 | 695.00 |
| 4 Gskt, Otr Timing Cover | NCA2127AC | m | | 25.50 |
| 5 Gskt, Inr Timing Cover | AJ8003699 | m | | 25.10 |
| 6 Part, Lower Eng Oil | C2A001427 | m | #1.0 | 83.95 |
| 7 Gskt, Eng Oil Pan | NCA1730AD | m | #1.0 | 31.95 |
| #R&R Complete | | | | |
| 8 Pan, Upper Eng Oil | | | | |
| 1997-99 | AJ8002247 | m | #8.4 | 202.95 |
| 2000-02 | | | | |
| w/Eng Oil Cooler | AJ8002248 | m | #8.4 | 222.00 |
| w/o Eng Oil Cooler | AJ8002247 | m | #8.4 | 202.95 |
| #Includes R&I Engine Assy & R&R Lower Eng Oil Pan | | | | |
| 9 Pan, Trans Oil | | | | |
| XK8 | JLM020215 | m | #1.9 | 130.05 |
| XKR | JLM020468 | m | #1.9 | 125.40 |
| 10 Gskt, Trans Oil Pan (b) | | | | |
| XK8 | JLM020204 | m | #1.9 | 19.85 |
| XKR | JLM020469 | m | #1.9 | 20.90 |
| #R&R Complete | | | | |
| 11 Cover, Valve | | | | |
| XK8 | R C2A001448 | m | #1.6 | 190.55 |
| | L C2A001450 | m | #1.6 | 190.55 |
| XKR | R C2A001447 | m | #1.6 | 190.05 |
| | L C2A001449 | m | #1.6 | 190.55 |
| #R&R Both Sides 3.0 | | | | |
| 12 Cover, Coil | AJ8004151 | | | 15.45 |
| 13 Gasket, Valve Cover | R AJ8008400 | m | | 24.65 |
| | L AJ8008285 | m | | 23.95 |
| 14 Cap, Oil Filler | AJ8007922 | | | 10.80 |
| 15 Tube, Eng Dipstick | | | | |
| 1997 | NCA1706AB | | .5 | 16.20 |
| 1998 | | | | |
| To VIN 028138 | NCA1706AB | | .5 | 16.20 |
| From VIN 028139 | NNE1706AC | | .5 | 15.15 |
| 1999 | NNE1706AC | | .5 | 15.15 |
| 2000 | | | | |
| To VIN A00366 | NNE1706AC | | .5 | 15.15 |
| From VIN A00367 | NRA1706AC | | .5 | 10.75 |
| 2001-02 | NRA1706AC | | .5 | 10.75 |
| 16 Dipstick, Eng Oil | | | | |
| 1997 | NCA1723AB | | | 22.10 |
| 1998 | | | | |
| To VIN 028138 | NCA1723AB | | | 22.10 |
| From VIN 028139 | C2C022741 | | | 16.55 |
| 1999-02 | C2C022741 | | | 16.55 |

2003-05

| | | |
|-----------------------|---|-----|
| R&I Engine Assy | m | 6.0 |
|-----------------------|---|-----|

Illustration Located in Next Column

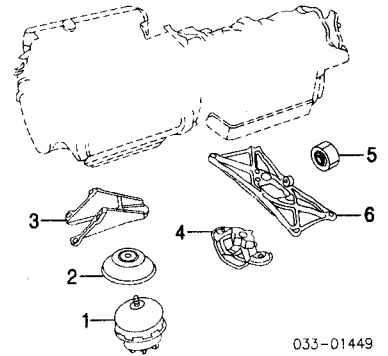
| | | | | |
|---|-----------|---|------|--------|
| 1 Damper, Crankshaft | | | | |
| XK8 | AJ8008478 | m | .8 | 193.15 |
| XJR | AJ8003993 | m | 1.1 | 223.00 |
| 2 Belt, Drive-See Cooling Section | | | | |
| 3 Cover Assy, Timing | | | | |
| XK8 | AJ8002257 | m | 5.6 | 505.00 |
| XKR | AJ8002460 | m | 7.6 | 650.00 |
| 4 Gskt, Otr Timing Cover | AJ8003700 | m | | 25.10 |
| 5 Gskt, Inr Timing Cover | AJ8003699 | m | | 25.10 |
| <i>#Included w/Timing Cover Assy</i> | | | | |
| 6 Pan Assy, Lower Engine Oil | C2A001427 | m | #1.0 | 83.95 |
| 7 Gskt, Eng Oil Pan (a) | NCA1730AD | m | #1.0 | 31.95 |
| <i>(a) Included w/Lower Engine Oil Pan Assy</i> | | | | |
| #R&R Complete | | | | |



033-01447

| | | | | |
|--|-------------|---|------|--------|
| 8 Pan, Upper Eng Oil | AJ8004055 | m | #8.4 | 79.05 |
| #Includes R&I Engine Assy & R&R Lower Eng Oil Pan | | | | |
| 9 Pan Assy, Trans Oil | C2C006715 | m | 1.9 | 106.60 |
| 10 Gskt, Trans Oil Pan (b) | C2C006714 | m | | 22.40 |
| <i>(b) Included w/Trans Oil Pan Assy</i> | | | | |
| 11 Cover Assy, Valve | | | | |
| XK8 | R AJ8002857 | m | #1.6 | 148.35 |
| | L AJ8002855 | m | #1.6 | 148.35 |
| XKR | R AJ8002542 | m | #1.6 | 140.10 |
| | L AJ8002874 | m | #1.6 | 154.25 |
| #R&R Both Sides 3.0 | | | | |
| 12 Gasket, Valve Cover (c) | R AJ8002873 | m | | 13.80 |
| | L AJ8006873 | m | | 22.95 |
| 13 Cap, Oil (c) | R AJ8007922 | | | 10.80 |
| <i>(c) Included w/Valve Cover Assy</i> | | | | |
| 14 Tube, Eng Dipstick | NNE1706AC | | .5 | 15.15 |
| 15 Dipstick, Eng Oil | C2C022741 | | | 16.55 |

ENGINE/TRANS MOUNTS



033-01449

| | | | | |
|------------------------------|-------------------|--|----|--------|
| 1 Mount, Engine | R/L MNC7500AB | | .8 | 79.85 |
| | R/L MNC7526AA | | | 58.20 |
| 2 Shield, Heat | 97-98 R MCA7510AC | | | 63.10 |
| 3 Brkt, Engine Mount | L MCA7511AC | | | 63.10 |
| | 99-05 R AJ8001443 | | | 60.25 |
| | L MCA7511AC | | | 63.10 |
| 4 Mount, Trans | | | | |
| 1997-99 | MNA7550AC | | .5 | 66.95 |
| 2000-03 | | | | |
| XK8 | MNA7550AC | | .5 | 66.95 |
| XKR | MNC7550AB1 | | .5 | 61.80 |
| 2004-05 | XR801700A | | .5 | 90.40 |
| 5 Mount, Rear | 97-99 MNA7575AB | | .5 | 105.85 |
| 6 Support, Rear Mount | | | | |
| 1987-95 | MJA7600AH | | .5 | 109.70 |
| 2000-03 | | | | |
| XK8 | MJA7600AH | | .5 | 109.70 |
| XKR | MJB7600AB | | .5 | 261.00 |
| 2004-05 | C2N001739 | | .5 | 225.05 |

AIR CLEANER

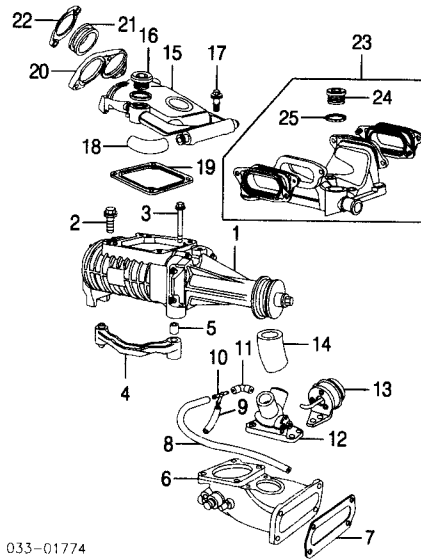
1997-02

| | | | | |
|----------------------------|--|--|--|----|
| R&I Air Cleaner Assy | | | | .5 |
|----------------------------|--|--|--|----|

| | | | | |
|--------------|-----|-----------|----|--------|
| 10 Duct, Air | XK8 | C2N001041 | .2 | 85.25 |
| | XKR | C2N002490 | .2 | 174.10 |

SUPERCHARGER/INTERCOOLER

XKR

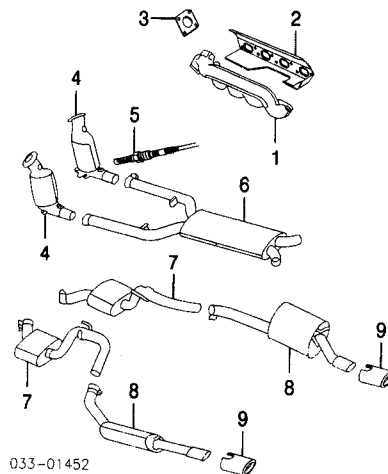


033-01774

| | | | | | |
|--|-------|-------------|---|------|---------|
| 1 Supercharger | 00-03 | AJ8005326 | m | 4.7 | 1600.00 |
| | 04-05 | AJ8003284 | m | 4.7 | 1625.00 |
| 2 Screw, Rear | | JFS10830B | | | .85 |
| 3 Bolt, Mounting (2) | | JFB10818B | | | 3.35 |
| 4 Bracket, Mounting | | NCC7708AB | m | | 41.10 |
| 5 Pin, Dowel (4) | | EAZ002159 | | | 1.85 |
| 6 Housing, Intake | | AJ8003052 | m | #1.6 | 159.15 |
| <i>#Includes R&R Supercharger By-Pass Valve & Actuator</i> | | | | | |
| 7 Gasket, Housing | | NCC7754BA | m | | 41.30 |
| 8 Hose, Vacuum | | NCA3239AA1 | m | | 1.45 |
| 9 Hose, By-Pass | | AJ8003877 | m | | 1.15 |
| 10 Connector, Hose | | C015644 | m | | 1.25 |
| 11 Hose, Actuator By-Pass | | EAC007965 | m | | 17.85 |
| 12 Valve, By-Pass | | AJ8005330 | m | #1.6 | 179.25 |
| 13 Actuator, Supercharger | | NCC7703AC | m | #1.6 | 131.35 |
| <i>#R&R Complete</i> | | | | | |
| 14 Hose, Water By-Pass | R/L | NCC2213AC | m | | 3.25 |
| 15 Duct, Outlet | R/L | AJ8005393 | m | #1.1 | 224.05 |
| <i>#Included in R&R Supercharger</i> | | | | | |
| 16 Plug, Outlet Duct | | JZD100005 | | | 22.15 |
| 17 Bolt, Fastener (4) | | AJ8008398 | | | 1.90 |
| 18 Hose, Water | | NCC7723AA | m | | 8.60 |
| 19 Gasket, Outlet Duct | | NCC7735BA | m | | 72.65 |
| 20 Plate, Duct | | AJ8006926 | m | | 27.95 |
| 21 Seal, Plate | R/L | AJ8006925 | m | | 33.30 |
| 22 Clamp, Plate | R/L | AJ8006927-8 | m | | 22.25 |
| 23 Duct Assy, Air Outlet | | AJ8005393 | m | .7 | 224.05 |
| 24 Plug, Outlet Duct | | JZD100005 | | | 22.15 |
| 25 Seal, Plug | | JWV130001 | | | 2.55 |
| <i>#Included w/Air Outlet Duct Assy</i> | | | | | |

EXHAUST

| | |
|--|------|
| R&R Exhaust System Complete | #2.5 |
| <i>#Does Not Include R&R Exhaust Manifolds</i> | |



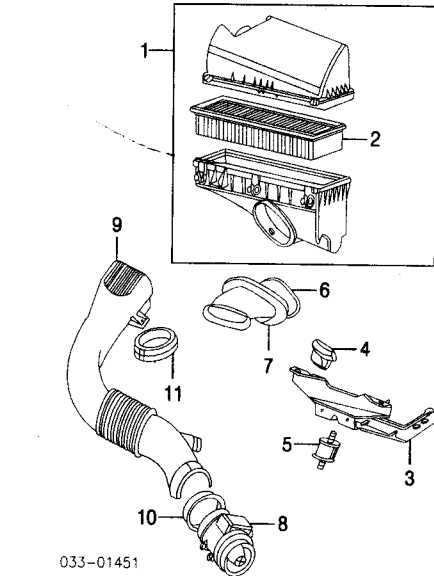
033-01452

| | | | | | |
|--------------------------------|------------------|-----------------|-----|------|---------|
| 1 Manifold, Exhaust | 1997 | R NCA2900EA | m | #3.4 | 297.00 |
| | | L NCA2901DB | m | #3.4 | 297.00 |
| | 1998-99 | R NCA2900DA | m | #3.4 | 297.00 |
| | | L NCA2901DB | m | #3.4 | 297.00 |
| | 2000-02 | R NCA2900GB | m | #3.4 | 289.00 |
| | w/EGR | L NCA2901EB | m | #3.4 | 288.00 |
| | w/o EGR | R NCA2900FB | m | #3.4 | 274.00 |
| | | L NCA2901EB | m | #3.4 | 288.00 |
| | 2003-05 | R AJ8003917 | m | #3.4 | 495.00 |
| | w/Supercharger | L AJ8003919 | m | #3.4 | 495.00 |
| | w/o Supercharger | R AJ8003916 | m | #3.4 | 454.00 |
| | | L AJ8003918 | m | #3.4 | 454.00 |
| <i>#R&R Both Sides 6.0</i> | | | | | |
| 2 Gasket, Manifold/Cyl Head | | R NCA2906AE | m | | 31.95 |
| | | L NCA2907AE | m | | 31.95 |
| 3 Gasket, Manifold | R/L | EAZ002050 | m | | 5.20 |
| 4 Pipe w/Converter, Front | XK8 | | | | |
| | 1997-98 | R NNE6700CA | 1.0 | | 880.00 |
| | | L NNE6701CA | 1.0 | | 840.00 |
| | 1999 | R NNE6700GD | 1.0 | | 1010.00 |
| | | L NNE6701GD | 1.0 | | 1010.00 |
| | 2000 | R NNE6700CA | 1.0 | | 880.00 |
| | w/Catalyst | L NNE6701CA | 1.0 | | 840.00 |
| | w/o Catalyst | R NJA6700FA | 1.0 | | 830.00 |
| | | L NJA6701FA | 1.0 | | d810.00 |
| | 2001 | R NNE6700CA | 1.0 | | 880.00 |
| | To VIN A13096 | L NNE6701CA | 1.0 | | 840.00 |
| | w/Catalyst | R NJA6700FA | 1.0 | | 830.00 |
| | | L NJA6701FA | 1.0 | | d810.00 |
| | From VIN A13097 | R NNE6700GD | 1.0 | | 1010.00 |
| | w/Catalyst | L NNE6701GD | 1.0 | | 1010.00 |
| | w/o Catalyst | R NJA6700FA | 1.0 | | 830.00 |
| | | L NJA6701FA | 1.0 | | d810.00 |
| | 2002 | R NNE6700GD | 1.0 | | 1010.00 |
| | w/Catalyst | L NNE6701GD | 1.0 | | 1010.00 |
| | w/o Catalyst | R NJA6700FA | 1.0 | | 830.00 |
| | | L NJA6701FA | 1.0 | | d810.00 |
| | 2003-05 | R C2N001250 | 1.0 | | 790.00 |
| | | L C2N001262 | 1.0 | | 790.00 |
| XKR | 00-02 | R NNF6700AD | 1.0 | | 855.00 |
| | | L NNF6701AD | 1.0 | | 855.00 |
| | 03-05 | R C2A001000 | 1.0 | | 790.00 |
| | | L C2N001263 | 1.0 | | 790.00 |
| 5 Sensor, Oxygen | | | | | |
| | Upper | 97-98 LJA1682AE | m | .5 | 289.00 |
| | | 99-02 LNE1684BB | m | .5 | 405.00 |
| | | 03-05 C2C007359 | m | .5 | 104.30 |
| | Lower (2) | 97-02 LJA1680AE | m | .5 | 134.45 |
| | | 03-05 C2C025956 | m | .5 | 109.00 |
| 6 Muffler w/Pipe, Front | XK8 | 97-02 NJE6757BA | .7 | | 388.00 |
| | | 03 C2N002345 | .7 | | 391.00 |
| | | 04-05 C2N001841 | .7 | | 390.00 |
| | XKR | 00-02 NJE6757AA | .7 | | d331.00 |
| | | 03 C2N002346 | .7 | | 435.00 |
| | | 04-05 C2N001842 | .7 | | 433.00 |
| 7 Muffler, Intermediate | 1997-02 | R NJE6760AA | .7 | | 215.80 |
| | | L NJE6761AA | .7 | | 215.80 |
| | 2003 | R C2N001051 | .7 | | 184.40 |
| | | L C2N003036 | .7 | | 184.40 |
| | 2004 | R C2N001051 | .7 | | 184.40 |
| | To VIN A38249 | L C2N003036 | .7 | | 184.40 |
| | From VIN A38250 | R/L C2N003035-6 | .7 | | 184.40 |
| | 2005 | R/L C2N003035-6 | .7 | | 184.40 |
| 8 Muffler w/Pipe, Rear | 1997-99 | R NJC6784AA | .7 | | 206.55 |
| | | L NJC6785AA | .7 | | 193.65 |
| | 2000 | R NJC6784AA | .7 | | 206.55 |
| | XK8 | L NJC6785AA | .7 | | 193.65 |
| | XKR | R NJD6784AB | .7 | | 290.00 |
| | | L NJD6785AB | .7 | | 290.00 |
| | 2001-02 | R NJD6784BA | .7 | | d176.00 |
| | XK8 | L NJD6785BA | .7 | | d176.00 |
| | XKR | R NJE6784AB | .7 | | 264.00 |
| | | L NJE6785AB | .7 | | 264.00 |
| | 2003-05 | R NJD6784BA | .7 | | d176.00 |
| | XK8 | L NJD6785BA | .7 | | d176.00 |
| | XJR | R C2N001492 | .7 | | 249.30 |
| | | L C2N001480 | .7 | | 249.30 |
| 9 Finisher, Tailpipe | 01-02 R/L | NNC6721BA | .2 | | 40.85 |
| | 03-05 R/L | C2N001457 | .2 | | 46.00 |

EMISSION SYSTEM

Illustration Located in Next Column

| | | | | |
|------------------------------------|-----------------|---|------|--------|
| 1 Valve, EGR | 97-99 LCA1550AE | m | .9 | 240.00 |
| | 00-05 AJ8008582 | m | .9 | 225.60 |
| 2 Sensor, MAP | 97-02 LNF1622AA | m | .5 | 160.20 |
| 3 Pipe, EGR Valve | 97-99 AJ8003890 | m | #1.3 | 91.95 |
| | 00-02 AJ8006857 | m | #1.3 | 225.05 |
| | 03-05 AJ8006323 | m | #1.3 | 119.00 |
| <i>#Includes R&R EGR Valve</i> | | | | |

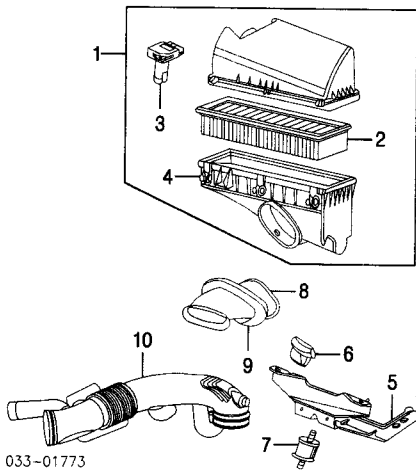


033-01451

| | | | | |
|-------------------------------------|-------------------|-----------|--------|--------|
| 1 Cleaner Assy, Air | NJC3500AA | .5 | 144.20 | |
| 2 Element, Cleaner | NJA3558AA | .3 | 38.75 | |
| <i>#Included w/Air Cleaner Assy</i> | | | | |
| 3 Brkt, Mounting | XK8 | | | |
| | w/Premium Sound | NJA3557AA | 13.60 | |
| | w/o Premium Sound | NJA3515AB | 12.30 | |
| | XKR | NJB3515AC | 11.05 | |
| 4 Grommet, Mounting | R/L NBC3530AA | .85 | | |
| 5 Mount, Center | EAC008130 | 6.40 | | |
| 6 Tube, Air Intake | NJB3510AC | 20.15 | | |
| 7 Seal, Intake Tube | NJA3541AA | 8.65 | | |
| 8 Meter, Air Flow | XK8 | | | |
| | 97-98 LJA1620AE | m | .3 | 299.00 |
| | 99-02 LNE1620CB | m | .3 | 251.00 |
| | LNE1620BB | m | .3 | 190.55 |
| 9 Hose, Air Flow | XKR | | | |
| | 1997-98 | NJA3555AE | .2 | 49.95 |
| | 1999 | NNE3555AC | .2 | 48.85 |
| | 2000-02 | NNE3555AC | .2 | 48.85 |
| | XK8 | NJB3555AA | .2 | 52.55 |
| | XKR | NJA3553AA | .2 | 6.30 |
| 10 Seal, Duct/Meter | NJA3554AA | | | 7.05 |
| 11 Seal, Duct/Throttle Body | NJA3554AA | | | 7.05 |

2003-05

| | |
|----------------------|----|
| R&I Air Cleaner Assy | .5 |
|----------------------|----|



033-01773

| | | | | | |
|----------------------|-------------------------------------|-----------|-------|--------|--------|
| 1 Cleaner Assy, Air | XK8 | XR8023351 | .5 | 251.00 | |
| | XKR | C2N001551 | .5 | 277.00 | |
| | XKR | NJA3558AA | .3 | 38.75 | |
| 2 Element, Cleaner | XK8 | C2S002670 | m | .3 | 42.65 |
| | XKR | C2C007636 | m | .3 | 124.65 |
| 3 Sensor, Air Flow | XK8 | NAB3511AA | | | 2.95 |
| | XKR | | | | |
| 4 Clip, Retainer (5) | <i>#Included w/Air Cleaner Assy</i> | | | | |
| 5 Brkt, Mounting | XK8 | NJA3515AB | 12.30 | | |
| | XKR | NJB3515AC | 11.05 | | |
| 6 Grommet, Mounting | R/L | NBC3530AA | .85 | | |
| 7 Mount, Center | | EAC008130 | 6.40 | | |
| 8 Tube, Air Intake | | NJB3510AC | 20.15 | | |
| 9 Seal, Intake Tube | | NJA3541AA | 8.65 | | |