



Parts Catalogue Jaguar XK8 Canada, USA Taiwan up to 1998 MY Mexico from 1998 MY

Part No. JLM20301

Whilst every effort is made to ensure the accuracy of the particulars contained in this Manual the Manufacturing Companies will not, in any circumstances, be held liable for any inaccuracies or the consequences thereof.

© Jaguar Cars Ltd 1998

All rights reserved. No part of this publication may be reproduced, stored in a retrieval system or transmitted in any form, whether by electronic, mechanical, photocopying, recording or other means without the permission of Jaguar Cars Limited.

Replacement parts that are not of genuine Jaguar supply cannot be relied upon to be of correct specification, material, and workmanship and therefore Jaguar cannot be expected to extend warranty to vehicles which have been fitted with parts not supplied by them.

Jaguar reserves the right to make changes or improvements in the construction or specification of their products at any time.

IN ORDER TO ENSURE PROMPT AND CORRECT EXECUTION OF YOUR ORDERS IT IS ESSENTIAL TO QUOTE:-

1. The relative Unit Number, together with prefixes, suffixes and specification references where applicable.
eg. Axle, Body, Vehicle Identification, Engine, Gearbox Numbers etc.
2. The Part Number and description (prefix and suffix letters to Part Numbers must always be quoted).
3. Always state the colour of carpets, painted items, trim items etc, using the colour code from the Vehicle Identification Number (VIN) plate and the colour combination key to identify the colour name.
4. The quantity required bearing in mind that the quantities shown are those used in the application actually illustrated. Sometimes only minimum package quantities are available. These packs may well contain more parts than are required for a single job; for details of packaged quantities, see the Service Parts List.

**THE LISTING OR ILLUSTRATING OF AN ITEM DOES NOT
GUARANTEE ITS AVAILABILITY.**

INDEX TO INTRODUCTION SECTION

MICROFICHE PAGE REFERENCE	PAGE TITLE	REMARKS
B03	STANDARD ABBREVIATIONS	Standard abbreviations used in the microfiche text are referenced on this page.
B04	VEHICLE IDENTIFICATION NUMBERING SYSTEM	VIN Serial letters and numbers explained. VIN plate location.
B05	UNIQUE IDENTIFICATION NUMBERING SYSTEM	VIN Serial letters and numbers explained for unique VIN
B06	MAJOR UNIT IDENTIFICATION NUMBERING SYSTEM 4.0 LITRE	Engine number coding explained. Location of engine/gearbox serial number.
B07	CONTROL MODULE (Programmable) LOCATIONS	Location of Programmable Units.
B08	BODY COLOUR	Body colour.
B9	TRIM COLOUR CODES	Denotes trim colour codes applicable to this vehicle.
B10	TRIM COLOUR COMBINATION CHART-CLASSIC	Denotes trim colour ranges applicable to specific areas of the vehicle interior.
B11	TRIM COLOUR COMBINATION CHART-SPORT	Denotes trim colour ranges applicable to specific areas of the vehicle interior.
B12-13	HOOD COLOUR	Denotes details of hood colour to interior/exterior colour.

ABBREVIATIONS: Standard abbreviations are used in this parts list, as shown below:

AR	As required	NLA	No longer available from Jaguar Cars Ltd.
(B)	Body number	No.	Number
cm	Centimetre	NSS	Not supplied separately
COB	Clear over base paint technology	NSP	Non-serviceable part
dia	Diameter	o/d	Outside diameter
(E)	Engine number	O/S	Oversize
(G)	Gearbox number	pr	Pair
HC	High compression	psi	Pounds square/inch
i/d	Inside diameter	RH	Right-hand
kph	Kilometres per hour	RHD	Right-hand drive
LC	Low compression	ST	Self tapping
LH	Left-hand	STD	Standard
LHD	Left-hand drive	U/S	Undersize
LP	Low pressure	(V)	Vehicles identification number (VIN)
LWB	Long wheel base (Majestic)	PART NUMBER SUFFIX LETTERS	
m	metres	E	Exchange scheme/remanufactured units
mm	millimetres	N	New condition (i.e. not exchange)
mph	Miles per hour	R	Remanufactured unit

VEHICLE IDENTIFICATION NUMBERING SYSTEM

The vehicle identification numbering comprises of a series of letters and numbers presenting, in code such information as Marque, Model Range, Class, Engine and Emission Type etc. The code for the Jaguar 4.0 litre range is as follows:

PREFIX 1 to 4

World Manufacturer Identifier

SAJ = Jaguar

PREFIX 5

Model Range

G = X100

PREFIX 6

Class

N = Canada

S = Mexico

X = USA

PREFIX 7

Body Variant

E = 2 Door Coupe

F = 2 Door Convertible

Prefix 8

Engine Variant

D = 4.0 Litre

PREFIX 9

Transmission and Steering

3 = Auto RHS

4 = Auto LHS

PREFIX 10

Model or Year Change

V = 1997MY

W = 1998MY

X = 1999 MY

PREFIX 11

Emission Control System

E = 95 Ron-Emission A

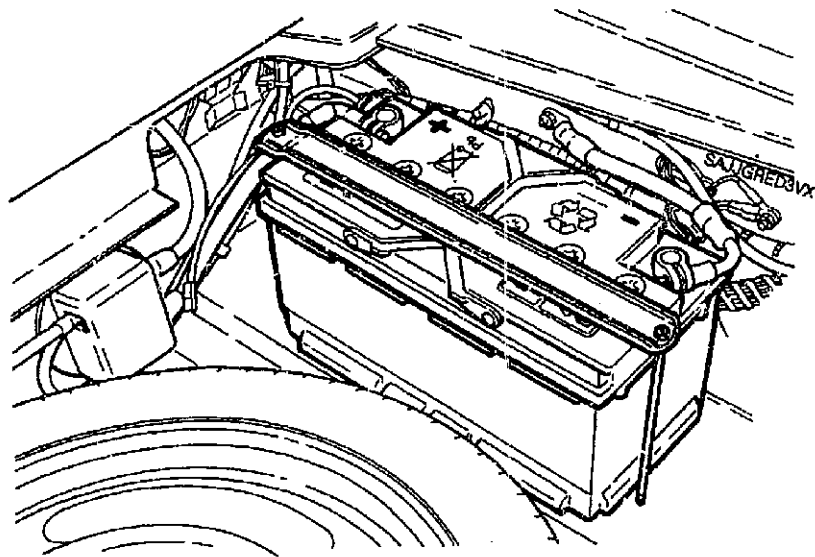
G = 95 Ron-Emission L

K = 95 Ron-Emission C

W = 95 Ron-Emission A

PREFIX 12 to 17

Serial Number



MODEL YEAR VIN NUMBERS

1997 MY From (v) 001075

1998 MY From (v) 018108

1998.75 MY From (V) 024687

1999 MY From (V) 031303

UNIQUE VEHICLE IDENTIFICATION NUMBERING SYSTEM

PREFIX 1 to 3 - World Manufacturer

SAJ Jaguar

PREFIX 4 - Model Range

G = X100

PREFIX 5 - Class

N = Canada

S = Mexico

X = USA/Taiwan

PREFIX 6 - Body Type

5 = 2 Door Coupe

2 = 2 Door Convertible

PREFIX 7 - Engine type

7 = 4.0 Litre

PREFIX 8 - Transmission & Steering

4 Auto LH Steering

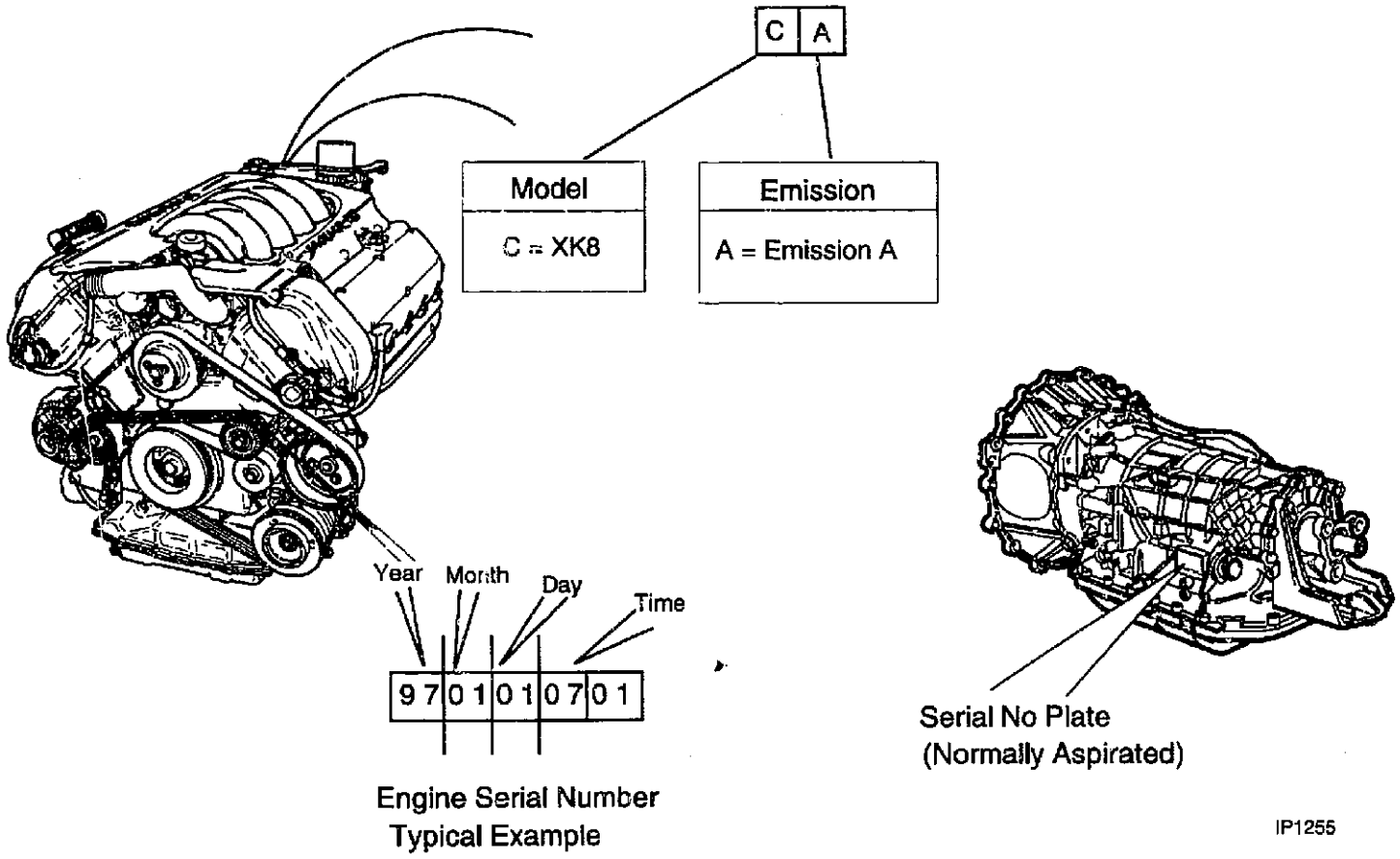
PREFIX 9 - Check Digit

?

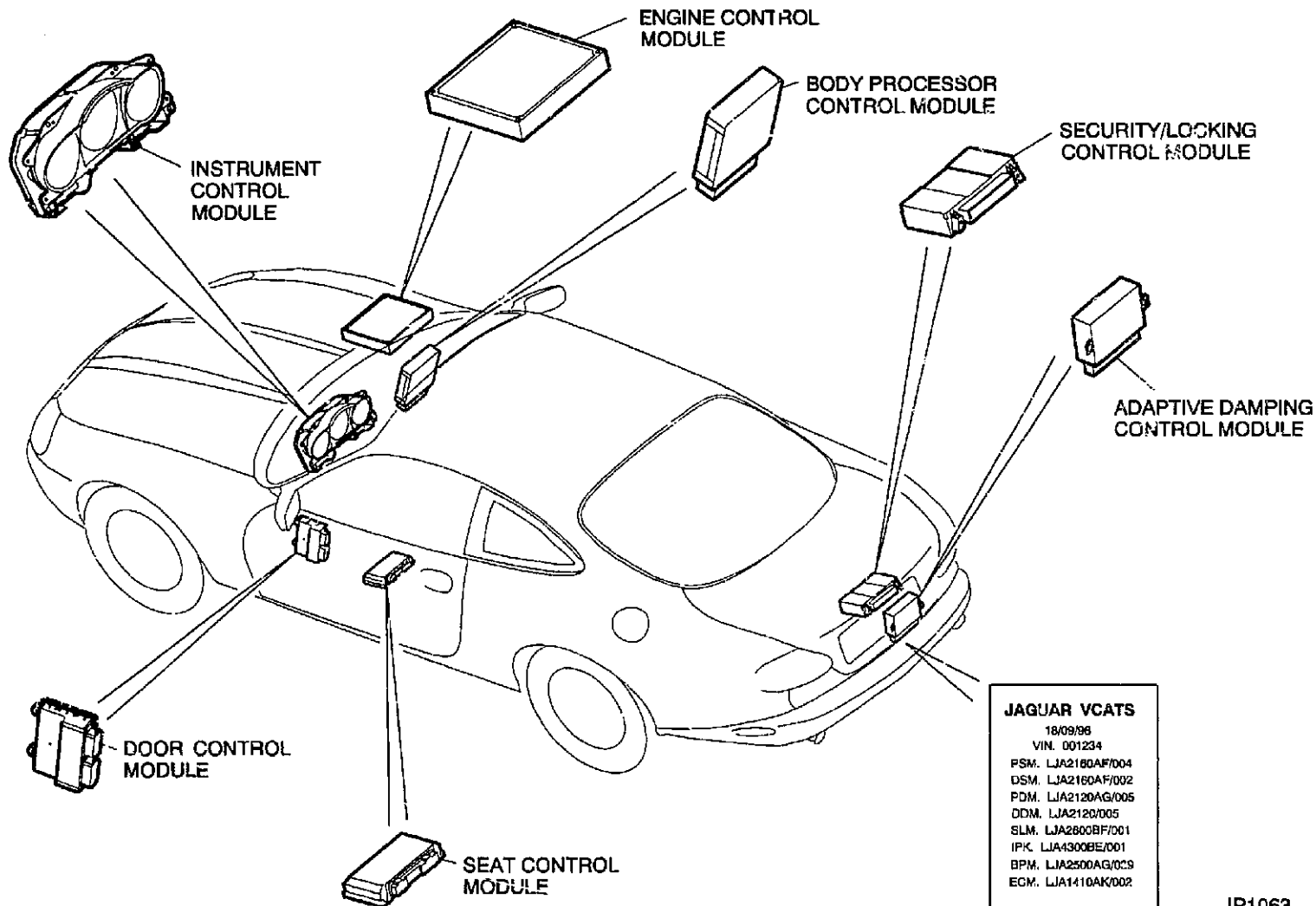
PREFIX 10 - Model Year**PREFIX 11 - Assembly Plant**

C = Browns Lane

UNIT IDENTIFICATION NUMBERING SYSTEM



CONTROL MODULE LOCATIONS



JAGUAR VCATS
 18/09/98
 VIN. 001234
 FSM. LJA2180AF/004
 DSM. LJA2160AF/002
 PDM. LJA2120AG/005
 ODM. LJA2120/005
 SLM. LJA2800BF/001
 IPK. LJA4300BE/001
 BPM. LJA2500AG/0C9
 EGM. LJA1410AK/002

BODY COLOUR CODES

BODY COLOUR	<i>JBC No</i>	<i>JBC No</i>
	<i>Solvent</i>	<i>Waterborne</i>
ALPINE		1880 (HGF)
AMARANTH	862 (KDJ)	1862 (KDK)
ANTHRACITE	859 (PDX)	1859 (PED)
ANTIGUA	840 (JGZ)	1840 (JHH)
AQUAMARINE	839 (JGY)	1839 (JHF)
BLACK	807 (PDT)	1807 (PEC)
BRITISH RACING GREEN	753 (HFB)	1753 (HGD)
CARNIVAL	811 (CFS)	1811 (CGC)
EMERALD		1895 (HGG)
ICE BLUE	821 (MDP)	
METEORITE	911 (MDT)	1911 (MDX)
PHOENIX		1924(CGL)
SAPPHIRE	806 (JGE)	1806 (JHE)
SHERWOOD	835 (HFR)	1835 (HGE)
SPINDRIFT	732 (NDM)	1732 (NEE)
TOPAZ	820 (SDN)	1820 (SEC)

TRIM CODES

	3 LETTER CODE		3 LETTER CODE
LEATHER		SEAT BELTS	
Oatmeal	AGD	Oatmeal	AGD
Cream	NDR	Warm Charcoal	LEG
Warm Charcoal	LEG	Sable	AEK
Teal	HDX	Teal	HDX
Coffee	SDC		
SCULPTURED FABRIC		HEADLINING	
Oatmeal	AGF	Oatmeal	AGD
Cream	NEB	Nimbus Grey	LFJ
Warm Charcoal	LGE	HOODS	
Teal	HDY	Stone	AEL
Coffee	SDR	Black	PDM
CARPETS		Beige	ANR
Mink	AGH	Green	HFV
Flint	LFN	Blue	JFF
Sable	AEK		
Teal	HDX		
Coffee	SDC		
FACIA			
Antelope	AGE		
Warm Charcoal	LEG		
Sable	AEK		
Dark Teal	HDV		
Coffee	SDC		

TRIM COLOUR COMBINATION CHART - CLASSIC

OVERALL INTERIOR COLOUR DESCRIPTION	INTERIOR TRIM LOWER/SEATING	FACIA GEARSHIFT ASSEMBLY/STEERING WHEEL	SEATBELTS	INTERIOR TRIM UPPER	PARCEL SHELF	CARPETS	FLANGE FINISHER	HOOD CONTAINER (CONV)	BOOT TRIM
OATMEAL	OATMEAL	ANTELOPE	OATMEAL	OATMEAL	ANTELOPE	SABLE	WARM CHARCOAL	SABLE	FLINT
WARM CHARCOAL	WARM CHARCOAL	WARM CHARCOAL	WARM CHARCOAL	NIMBUS	WARM CHARCOAL	FLINT	WARM CHARCOAL	FLINT	FLINT
CREAM	CREAM	SABLE	SABLE	OATMEAL	SABLE	SABLE	WARM CHARCOAL	SABLE	FLINT
TEAL	TEAL	DK TEAL	TEAL	NIMBUS	DK TEAL	TEAL	WARM CHARCOAL	FLINT	FLINT
COFFEE	COFFEE	COFFEE	SABLE	OATMEAL	COFFEE	COFFEE	WARM CHARCOAL	SABLE	FLINT
IVORY	IVORY	IVORY	SABLE	OATMEAL	SABLE	SABLE	WARM CHARCOAL	SABLE	FLINT
CASHMERE	CASHMERE	SABLE	SABLE	OATMEAL	SABLE	SABLE	WARM CHARCOAL	SABLE	FLINT

INT. TRIM LOWER/SEATS	FACIA	SEATBELTS	INTERIOR TRIM UPPER	PARCEL SHELF	CARPETS	FLANGE FINISHER	HOOD CONTAINER	BOOT TRIM
FRONT SEATS	FACIA UPPER	SEATBELTS & BUCKLE	A POST UPPER	PARCEL SHELF (COUPE)	HEEL MATS		HOOD CONTAINER	SPARE WHEEL COVER
SQUARE TRIG. KNOB	FACIA ENDS	RETAINERS	HEADER	(COUPE)	SEAT SLIDES			BOOT BOARD
TRIG. ESCUTCHEON	DEMIST VENTS	SEATBELT	SUNVISORS & FIXINGS	SUB WOOFER COVER (4)				BOOT FIXINGS
INT. MECHM COVER	SQUAWKER	RUNNING LOOPS	HEADLINING	HMSL COVER (COUPE)				HOOD STOWAGE BAG
REAR SEATS	DOOR TOP ROLL	SEATBELTS	AIR EXT. VENTS					
SEAT STITCHING	STEERING WHEEL	FRT/RR	ADJUSTER KNOB					
DOOR CASING	J GATE SURROUND							
DOOR CENTRE PANEL	HANDBRAKE GRIP CHEATERS							
DOOR ARMREST	STOWAGE TRAY							
CARPET BINDING	SWITCHES							
RR QUARTER	STG COL COWL							
CAPPING (CONV)	TRUNK SEAL							
REAR QUARTER	RETAINER							
- CASING	FACIA VENTS							
- ARMREST	(CENTRE/OUTER)							
- CENTRE PANEL	DOOR KICK PANEL							
A POST LOWER	LOWER A POST							
CENTRE CONSOLE								
- TOP/SIDE/LID								
- CUPHOLDER LID								
GLOVEBOX HANDLE								
ASPIRATOR VENTS								
HOOD STOWAGE COVER								
SEAT SWITCH PACK								
HANDBRAKE GAITER								
UNDERSCUTTLES								
COATHOOK								

TRIM COLOUR COMBINATION CHART - SPORTS

OVERALL INTERIOR COLOUR DESCRIPTION	LOWER TRIM	SEATING	FACIA GEARSHIFT ASSEMBLY/STEERING WHEEL	SEATBELTS	INTERIOR TRIM UPPER	PARCEL SHELF	CARPETS	FLANGE FINISHER	BOOT TRIM
OATMEAL	WARM CHARCOAL	OATMEAL	WARM CHARCOAL	WARM CHARCOAL	NIMBUS GREY	WARM CHARCOAL	FLINT	WARM CHARCOAL	FLINT
WARM CHARCOAL	WARM CHARCOAL	WARM CHARCOAL	WARM CHARCOAL	WARM CHARCOAL	NIMBUS GREY	WARM CHARCOAL	FLINT	WARM CHARCOAL	FLINT
CREAM	WARM CHARCOAL	CREAM	WARM CHARCOAL	WARM CHARCOAL	NIMBUS GREY	WARM CHARCOAL	FLINT	WARM CHARCOAL	FLINT
IVORY	WARM CHARCOAL	IVORY	WARM CHARCOAL	WARM CHARCOAL	NIMBUS GREY	WARM CHARCOAL	FLINT	WARM CHARCOAL	FLINT

INT. TRIM LOWER/SEATS	SEATS	FACIA	SEATBELTS	INTERIOR TRIM UPPER	PARCEL SHELF	CARPETS	FLANGE FINISHER	BOOT TRIM
DOOR CASING DOOR KICK PANEL RR QUARTER CAPPING (CONV) REAR QUARTER - CASING A POST LOWER GLOVEBOX HANDLE ASPIRATOR VENTS HOOD STOWAGE COVER HANDBRAKE GAITER UNDERSCUTTLES CARPET BINDING REAR QUARTER - ARMREST (CPE) - CENTRE PANEL COATHOOK	FRONT SEATS (1) SQUAB TRIG. KNOB TRIG. ESCUTCHEON SEAT SWITCH PACK INT. MECHM COVER REAR SEATS DOOR CENTRE PANEL DOOR ARMREST CENTRE CONSOLE (1) - TOP/SIDE/LID - CUPHOLDER J GATE SURROUND SEATBELT BUCKLES	FACIA UPPER FACIA ENDS DEMIST VENTS SQUAWKER DOOR TOP ROLL STEERING WHEEL HANDBRAKE GRIP COVER CHEATERS STOWAGE TRAY SWITCHES STG COL COWL TRUNK SEAL RETAINER FACIA VENTS (CENTRE/OUTER)	SEATBELT RUNNING LOOP SEATBELTS FRT/RR ADJUSTER KNO	A POST UPPER HEADER SUNVISORS & FIXINGS HEADLINING AIR EXT. VENTS	PARCEL SHELF (CPE) SUB WOOFER COVER HMSL COVER (COUPE)	HEEL MATS HOOD CONTAINER (CONV)		HOOD STOWAGE BAG BOOT BOARD BOOT FIXINGS
				NOTES:				
								(1) SEATS & CENTRE CONSOLE/LID TAKES W/CHARCOAL STITCHING

HOOD COLOUR WITH EXTERIOR & INTERIOR COMBINATIONS UP TO 99 MY

TRIM	BODY COLOUR													
	TOPAZ (820)	ICE BLUE (821)	TITANIUM (810)	SPINDRIFT WHITE 96 (732)	BRITISH RACING GREEN (783)	ANTHRACITE (880)	AQUA MARINE (839)	SHERWOOD (838)	ANTIGUA (840)	CARNIVAL (811)	SAPPHIRE (806)	AMARANTH	METEORITE	PHOENIX RED
OATMEAL (AGD)	STONE	BLUE	BLUE	STONE	-	BLACK	-	BLACK	BLUE	STONE	BLUE	BLACK	BLACK	STONE
CHARCOAL (LEG)	BLACK	BLACK	BLACK	BLACK	GREEN	BLACK	GREEN/ BLACK	BLACK	BLACK	BLACK	BLACK	BLACK	BLACK	BLACK
CREAM (NDR)	STONE	BLUE	BLUE	STONE	GREEN	BLACK/ STONE	GREEN/ BLACK	STONE	STONE	STONE	BLUE	-	-	-
TEAL (HDX)	-	-	-	GREEN	GREEN	BLACK	GREEN/ BLACK	-	-	-	-	BLACK	BLACK	-
COFFEE (SDC)	STONE	-	STONE	BEIGE	BEIGE	BLACK	BEIGE	BEIGE	BLUE	BEIGE	BLUE	-	-	-
IVORY (MED)	DARK BEIGE	-	-	DARK BEIGE	GREEN	DARK BEIGE	-	DARK BEIGE	DARK BEIGE	DARK BEIGE	-	BLACK	BLACK	BEIGE/ STONE
CASHMERE (SDY)	DARK BEIGE	-	-	DARK BEIGE	DARK BEIGE	BLACK	DARK BEIGE	DARK BEIGE	BLUE	DARK BEIGE	BLUE	BLACK	BLACK	DARK BEIGE

BODY COLOUR

FRONT/REAR BUMPER
NUMBER PLATE
FINISHER
RUBBING STRIPS
MIRROR CAPS

ADDITIONAL COLOURED PARTS

GREY
MIRROR FOOT
GLASSHOUSE
MOULDINGS
WAIST RAIL
PLENUM

CHROME

FLUTTER VANE
EXT DOOR HANDLES (N. AMERICA ONLY)

HOOD COLOUR WITH EXTERIOR & INTERIOR COMBINATIONS FROM 99 Model Year

TRIM	BODY COLOUR										
	TOPAZ (820)	SPINDRIFT WHITE 95 (732)	BRITISH RACING GREEN (753)	ANTHRACITE (859)	ANTIGUA (840)	CARNIVAL (811)	SAPPHIRE (806)	AMARANTH	METEORITE	PHOENIX RED	Alpine
OATMEAL (AGD)	STONE	STONE	-	BLACK	BLUE	STONE	BLUE	BLACK	BLACK	STONE	BLACK
CHARCOAL (L2G)	BLACK	BLACK	GREEN	BLACK	BLACK	BLACK	BLACK	BLACK	BLACK	BLACK	BLACK
TEAL (HDX)	-	GREEN	GREEN	BLACK	-	-	-	BLACK	BLACK	-	
IVORY (NED)	DARK BEIGE	DARK BEIGE	GREEN	DARK BEIGE	DARK BEIGE	DARK BEIGE	-	BLACK	BLACK	BEIGE/ STONE	
CASHMERE (SDV)	DARK BEIGE	DARK BEIGE	DARK BEIGE	BLACK	BLUE	DARK BEIGE	BLUE	BLACK	BLACK	DARK BEIGE	DARK BEIGE

BODY COLOUR

FRONT/REAR BUMPER
NUMBER PLATE
FINISHER
MIRROR STRIPS
MIRROR CAPS

ADDITIONAL COLOURED PARTS

GREY
MIRROR FOOT
WAIST RAIL
PLENUM

CHROME

SPLITTER VANE
EXT DOOR HANDLES (N. AMERICA ONLY)

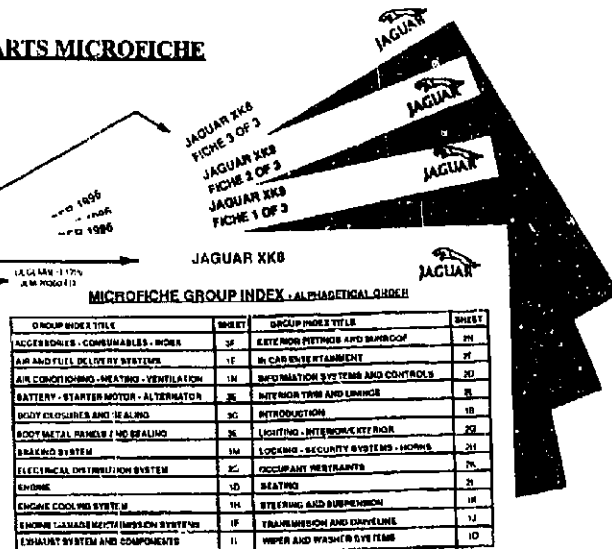
PAGE 1 of 5

HOW TO USE THE JAGUAR PARTS MICROFICHE

A knowledge of the construction and content of the microfiche will help you to identify and locate the right part number for the application that you require.

HOW THE MICROFICHE IS ORGANISED:

- 1) A parts microfiche set is produced for each Jaguar model. A full list of publications is issued with each new microfiche set. A Jaguar microfiche consists of a number of plastic "fiche", contained in a paper wallet with an Index card.
- 2) Each plastic "fiche" is headed with the **model name**, the **part number of the microfiche**, the **month/year of issue**. Each "fiche" is numbered together with the total number of "fiche" in the microfiche set.
- 3) The Index card shows the microfiche **MASTER INDEX**. This will enable fast identification of the correct "fiche" page and row on which each Group commences. The Master Index is listed in Microfiche order on one side of the card and in alphabetical order on the reverse.
- 4) Each "fiche" contains up to 252 pages of information. (18 columns x 14 rows). Columns are numbered 1 to 18 and rows are identified alphabetically. Row A on each "fiche" is always the **Introduction Section**.



DECEMBER 1996 JAGUAR XK8 JAGUAR

JLM 20303 FD

Introduction Pages

Master Index Card																	

IP1172

HOW TO USE THE JAGUAR PARTS MICROFICHE

MICROFICHE CONTENT:

The microfiche has a **Master Index** which lists the **Introduction Section** and **23 main sections**. The Master Index is common to all microfiche. The first "fiche" page has:

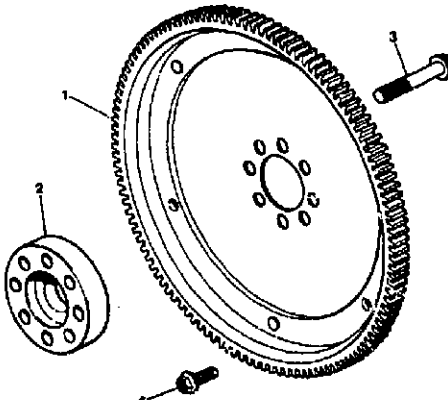
- a) A **Title page**, describing the name of the model
- b) An **Introduction Section**, with an index of contents.
- c) A full **alphabetical listing** of all part number descriptions contained in the microfiche set with the page location.

Note: a) and b) are included at the start of each "fiche" page, whilst c) is on page 1 only.

Part number information is arranged into the **23 Groups**. Each **Master Index** reference is divided into **Groups**, which are common to all microfiche.

Each **Group** contains a number of **Page Titles** relevant to the model specification.

A **Page Title** describes a vehicle feature or major component, under which the relative part numbers appear.

The New XJ Series		F04 Fiche 1				
			ENGINE	←		
			DRIVE PLATE AND FLYWHEEL COVERS	←		
			DRIVE PLATE-3.2/4.0 LITRE			
Illus	Part Number	Description	Quantity	Change Point	Remarks	
	EBC 2788	Drive plate-assembly.....	1	(1).....	3.2 Litre4.0 Litre	

An **Illustration** may be linked to each page number. A page title continuing over more than one page, will have the same illustration. Illustrations are annotated to represent the part numbers shown on text page. The drawing reference number is shown in the first column against the appropriate part number. Where there is more than one part number for alternative applications, the drawing number will appear against each reference to that part.

PAGE 3 of 5

HOW TO USE THE JAGUAR PARTS MICROFICHE

A part has 7 main elements: A **part number**, A **description**, a **quantity per application**, a **qualifying description**, an **illustration**, an **application** and a **change point** (optional).

PART NUMBER:

A part number may have:

- a **prefix** (optional, alpha and/or numeric).
- a **main body** (up to 6 numeric or 5 numeric + 1 alpha or 4 numeric + 2 alpha).
- a **suffix**.

There is **NO** meaning attached to the prefix or main body of the part number. The suffix can denote size, grade, colour etc.

QUALIFYING DESCRIPTION:

The **qualifying description** describes the colour, location, material, size etc. of a part. A part can only have one qualifying description relating to a "fitment" definition. For example, a Bolt cannot be described as "manifold to block" in one application and "mounting to body" in another. The part description and qualifying description are tied to the part in all model applications.

Illus	Part Number	Description	Quantity	Change Point	Remarks
1	EBC 2788	Drive plate-assembly.....	1	(1).....	3.2 Litre4.0 Litre

PART DESCRIPTION:

The **part description** is derived from the standard noun which describes the component.

CHANGE POINT:

Where appropriate, a **change point** will identify the limits of use of a component using a VIN number, Engine number, Gearbox or Body number. All **change points** are represented as "footnotes" on the microfiche page, with the footnote number shown in the "Change Point" column.

PART APPLICATION:

The **part applications**, or "**attributes**", appear in the "Remarks" column on the microfiche page. **Attributes** identify any market applicability and/or special conditions and/or exemptions. Attributes also contain information relative to the VIN prefix which is appropriate to the Page Title. A full list of VIN prefix attributes are shown in the Introduction Section under "Vehicle Identification Numbering System". Applications from the same "family" will appear on different text lines with the part number/description/quantity hidden. The change point will be shown on the first line only and will be the same for both applications.

IP1174

PAGE 4 of 5

HOW TO USE THE JAGUAR PARTS MICROFICHE**PAGE TITLES:**

An **index page** is located on the first column of every microfiche row and contains information relative to that section of the microfiche. The index page shows the **Master Index**, the appropriate **Group index** (in alphabetical order), and the **Page Titles** appropriate to that Group, in alphabetical order.

Page Titles are specific to each Model, although common terminology will be used across all microfiche. A Page Title will describe the major component and a key attribute or commencing VIN number. Similar Page Titles will be consecutive.
(e.g.: Engine assemblies for 4.0 Litre and 6.0 Litre will be on adjacent pages).

XJ8 & XJ12 (From VJ887829 onwards)		L01 Page 3	LOCKING/SECURITY SYSTEMS/HORN
MASTER INDEX	GROUP INDEX	PAGE TITLES	
ENGINE..... 1 B			
ENGINE MANAGEMENT/EMISSION SYSTEMS..... 1 C	CENTRAL LOCKING SYSTEM..... 0. 00	HORN TONE HORN ASSEMBLY..... 1. L 03	
AIR AND FUEL DELIVERY SYSTEMS..... 1 D	ELECTRONIC CONTROL MODULES..... 3. L 07	HORN AND MOUNTING ALARM..... 2. L 03	
ENGINE COOLING SYSTEM..... 2 0	HORN..... 3. L 03	INFLA RED LOCKING SYSTEM KIT..... 3. L 07	
EXHAUST SYSTEM AND COMPONENTS..... 2 E	INFLAMMER..... 3. 00	INFLA RED LOCKING SYSTEM KIT..... 3. L 08	
TRANSMISSION AND DRIVE LINE..... 2 F	SECURITY ALARM..... 0. 70	INTRUSION SENSOR DOOR..... 3. L 04	
STEERING AND SUSPENSION..... 2 J	VEHICLE SECURITY SYSTEMS..... 3. L 08	LOW TONE HORN ASSEMBLY..... 1. L 03	
PAINTED SYSTEMS..... 2 N		LOW TONE HORN ASSEMBLY..... 1. L 08	
AIR CONDITIONING/HEATING/VENTILATION..... 3 C		RELAY MODULE..... 3. L 07	
WIPPER AND WASH/WAX SYSTEMS..... 2 B		RELAY MODULE..... 3. L 07	
ELECTRICAL DISTRIBUTION SYSTEM..... 3 F		SECURITY CONTROL MODULE-4184AC..... 1. L 04	
INFORMATION SYSTEMS AND CONTROLS..... 3 G		SECURITY SYSTEM..... 3. L 03	
BATTERY/STARTER MOTOR/ALTERNATOR..... 3 H		SOLAR SENSOR AND ALARM BOUNDER..... 3. L 04	
IN CAR ENTERTAINMENT..... 3 I		SOLAR SENSOR ALARM BOUNDER..... 1. L 03	
LIGHTS - EXTERIOR/INTERIOR..... 3 J			
LOCKING/SECURITY SYSTEMS/HORN..... 3 L			
SEATING..... 3 M			
OCCUPANT RESTRAINTS..... 3 O			
INTERIOR TRIM AND LINING..... 4 C			
EXTERIOR FITTINGS AND BUMPER..... 4 B			
BODY GLASS/PANES AND BELT LINE..... 4 J			
BODY METAL PANELS AND BEALING..... 4 L			
ACCESSORIES/CONSUMABLES/SPARE..... 4 M			

IP1175

MASTER INDEX	GROUP INDEX	
ENGINE..... 1 D		
ENGINE MANAGEMENT/EMISSION SYSTEMS..... 1 F	BADGES AND MOTIFS..... 3. C 07	AIR INTAKE GRILLE..... 3. C 09
AIR AND FUEL DELIVERY SYSTEMS..... 1 G	BODY EXTERIOR FINISHERS/MOULDINGS..... 3. C 06	BODY SIDE MOULDINGS..... 3. C 06
ENGINE COOLING SYSTEM..... 1 H	BODY TRIM AND FIXTURES..... 3. C 02	BONNET/FRONT FENDER MOTIF..... 3. C 07
EXHAUST SYSTEM AND COMPONENTS..... 1 I	DOOR MIRRORS..... 3. C 15	BUMPER-FRONT-ENERGY ABSORBING..... 3. C 03
TRANSMISSION AND DRIVELINE..... 1 J	FRONT BUMPERS..... 3. C 03	BUMPER-REAR-ENERGY ABSORBING..... 3. C 05
STEERING AND SUSPENSION..... 1 K	GRILLES..... 3. C 09	EXTERIOR DOOR MIRROR..... 3. C 15
BRAKING SYSTEM..... 1 M	REAR BUMPERS..... 3. C 05	HEATED BACKLIGHT GLASS AND SEAL..... 3. C 14
AIR CONDITIONING/HEATING/VENTILATION..... 1 N	WINDSCREEN AND BODY GLASSES..... 3. C 10	HEATED BACKLIGHT GLASS AND..... 3. C 13
WIPER AND WASHER SYSTEMS..... 1 O	QUARTER GLASS AND SEAL-REAR-COUPÉ... 3. C 12	
ELECTRICAL DISTRIBUTION SYSTEM..... 2 C	TRUNK LID BADGE..... 3. C 08	
INFORMATION SYSTEMS AND CONTROLS..... 2 E	WHEELARCH LINER FRONT AND REAR..... 3. C 02	
BATTERY/STARTER MOTOR/ALTERNATOR..... 2 F	WINDSCREEN GLASS, SEAL/FINISHER..... 3. C 10	
IN CAR ENTERTAINMENT..... 2 G	WINDSCREEN GLASS, SEAL/FINISHER..... 3. C 11	
LIGHTING - EXTERIOR/INTERIOR..... 2 H		
LOCKING/SECURITY SYSTEMS/HORNS..... 2 I		
SEATING..... 2 J		
OCCUPANT RESTRAINTS..... 2 L		
INTERIOR TRIM AND LININGS..... 2 M		
EXTERIOR FITTINGS AND SUNROOF..... 3 C		
BODY CLOSURES AND SEALING..... 3 D		
BODY METAL PANELS AND SEALING..... 3 G		
ACCESSORIES/CONSUMABLES/INDEX..... 3 H		

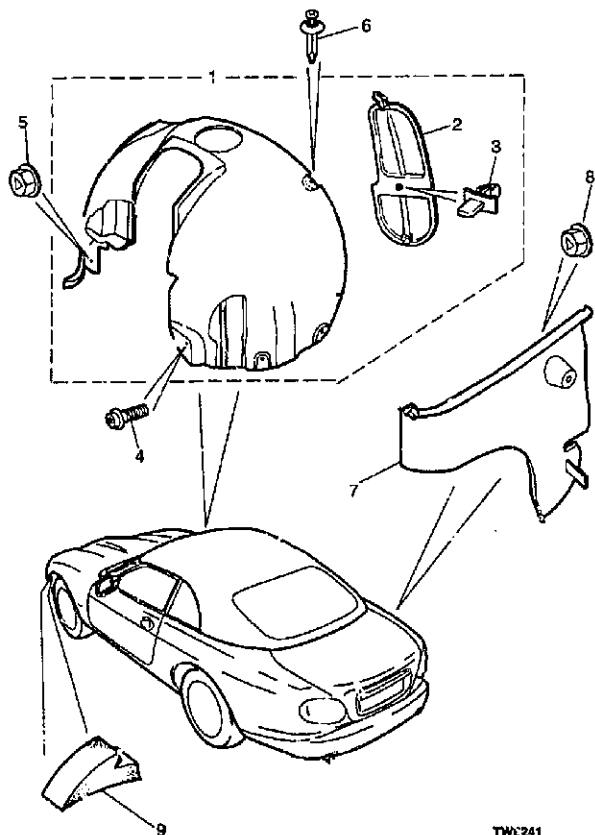
WHEELARCH LINER FRONT AND REAR

Illus Part Number

Description

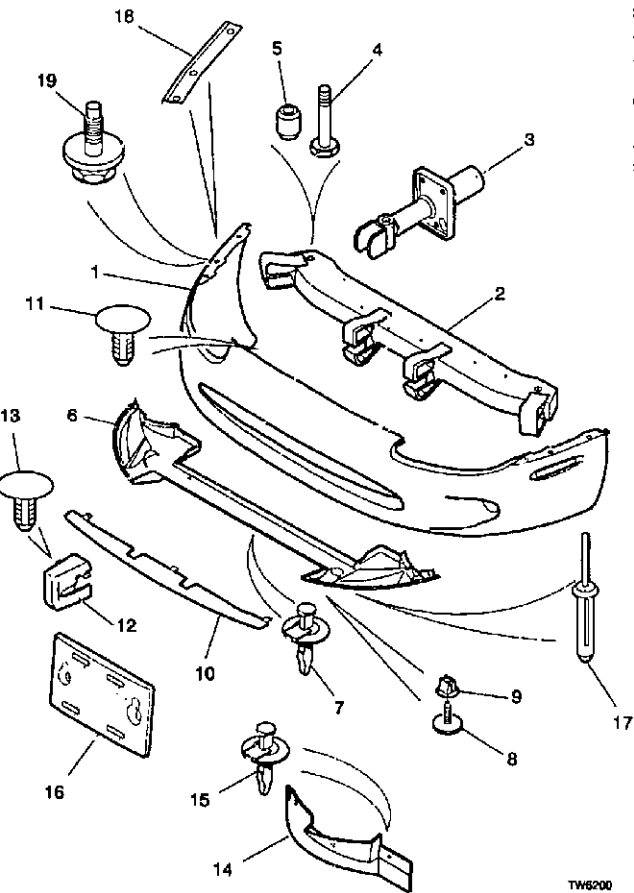
Quantity Change
Point Remarks

1	HJA 4570AL	WHEELARCH LINER-ASSEMBLY-RH-FRONT.....	1		
2	HJA 4582AD	• Headlamp bulb access panel-RH wheelarch-front.....	1		
3	KTF 100003	• Arrow head clip.....	1		
1	HJA 4571AL	WHEELARCH LINER-ASSEMBLY-LH-FRONT.....	1		
2	HJA 4583AD	• Headlamp bulb access panel-LH wheelarch-front.....	1		
3	KTF 100003	• Arrow head clip.....	1		
4	JZS 100005	Screw/washer -stainless steel.....	2		
5	AGU 2436J	Plastic push on nut.....	2		
6	KRS 113230	Screw rivet.....	8		
7	HJA 4573AA	Wheelarch liner-RH rear.....	1		
7	HJA 4577AA	Wheelarch liner-LH rear.....	1		
8	AGU 2436J	Plastic puch on nut.....	2		
9	HJA 3350AB	Foam block-LH front fender.....	1		



TWC241

Illus	Part Number	Description	Quantity	Change Point	Remarks
1	HJB 8468ACXXX	Bumper cover-front-primer painted.....	1		
2	HJA 6480BD	Bumper beam-front-energy absorbing.....	1		
3	HJA 8472AC	Bumper strut-front	2		
4	JBU 1121BE	Short thread hexagon bolt	2		
5	HJA 6544AA	Spacer-strut to beam.....	2		
6	HJA 6484BC	Undertray-bumper-front.....	1		
7	KRB 100002	Plastic rivet	3		(1)
8	JAB 610067 XJ	Self tapping screw/washer.....	3		(2)
9	ACU 1812	Lokut nut-undertray.....	3		
10	HJA 6451BC	Splitter vane-chrome	1		
11	KTC 100013	Fir tree clip.....	3		
12	HJA 8504AC	Cover-bumper-override-RH.....	1		
12	HJA 8505AC	Cover-bumper-override-LH.....	1		
13	KTC 100018	Fir tree clip.....	4		(3)
	BBC 7525 LEG	Firing button-Warm charcoal	3		(4)
14	HJA 6538AB	Wind deflector-bumper-RH.....	1		
14	HJA 6539AB	Wind deflector-bumper-LH.....	1		
15	KRB 100002	Plastic rivet	4		



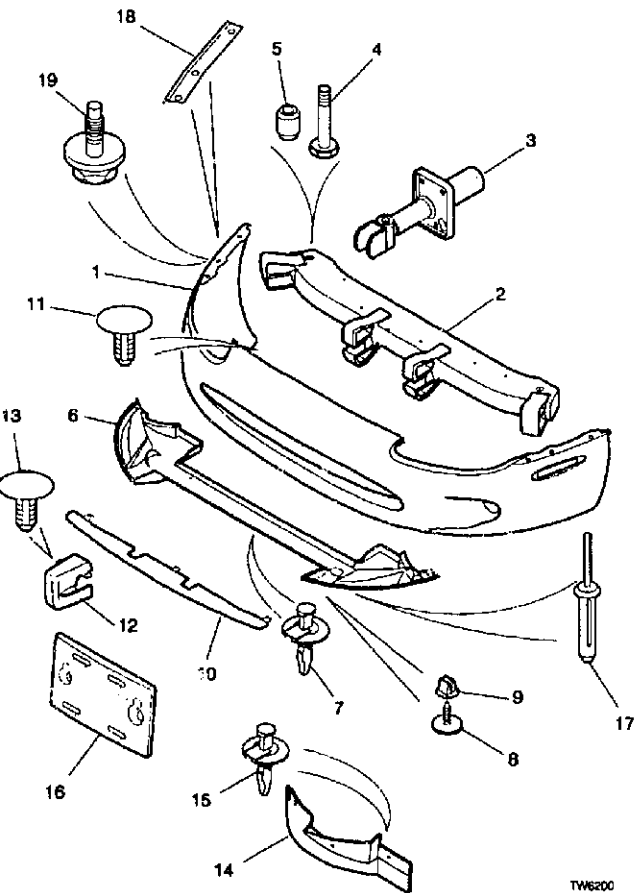
CHANGE POINTS:

TW6200

- (1) To (V) 006849
- (2) From (V) 006850
- (3) To (V) 024686
- (4) From (V) 024687

BUMPER-FRONT-ENERGY ABSORBING

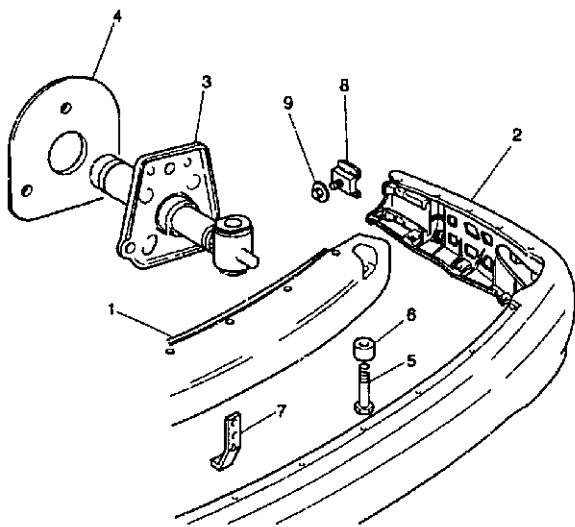
Qty	Part Number	Description	Quantity	Change Point	Remarks
	16 HJA 6458AB	Number plate plinth.....	1		
8	JAB 810687 XJ	Self tapping screw/washer.....	2		
	17 KRA 106001	Screw rivet-cover-undertrey.....	8		
	18 HJA 6526AC	Clamping plate-RH.....	1		
	18 HJA 6527AC	Clamping plate-LH.....	1		
	19 JZS 10C107	Paint clearing screw-M6 x 20mm.....	12		
	JFS 10625F	Flange head screw.....	1		



TW6200

BUMPER-REAR-ENERGY ABSORBING

Illus	Part Number	Description	Quantity	Change Point	Remarks
	1 H/A 6380BA	Bumper beam-rear	1		
	2 H/A 6586BB XXX KRA 816001	Bumper cover-rear -primed/sealed	1		
		Flat head rivet-cover to bumper beam	7		
	3 H/A 6560AC	Bumper strut-rear -energy absorbing	2		
	4 H/A 6566AB	Base joint gasket-bumper mounting	2		
	5 JBU 11218E	Short thread hexagon bolt	2		
	6 H/A 8544AA	Spacer-strut to beam	2		
	7 H/A 8569AA	Bumper cover support strap-rear	2		
	8 H/A 6555AB	Bumper guide block-rear	2	(1)	
	8 H/A 6554AB	Bumper guide block-assembly-rear	2	(2)	
	9 JFN 108047	Flange nut-M8.....	2		



TW6602

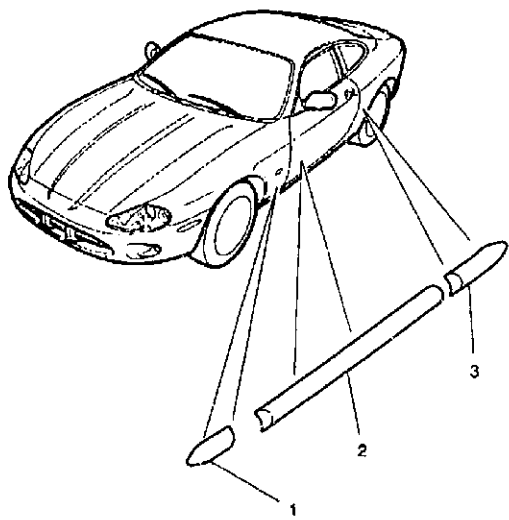
CHANGE POINTS

(1) To (V) 003299

(2) From (V) 003300

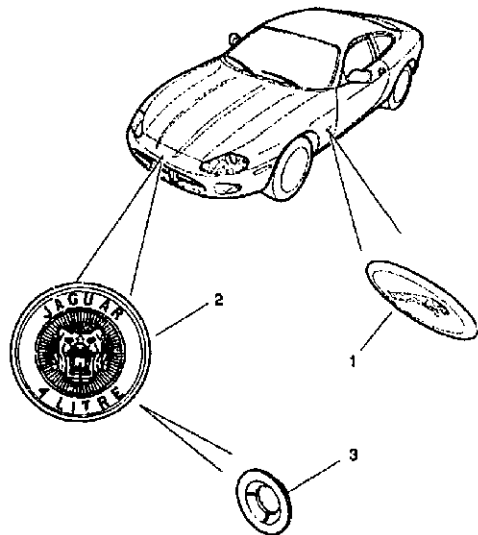
BODY SIDE MOULDINGS

Illus	Part Number	Description	Quantity	Change Point	Remarks
1	HJA 5704AA.XXX	Body side moulding-RH lower-front fender-primer painted....	1		
1	HJA 5705AA.XXX	Body side moulding-LH lower-front fender-primer painted	1		
2	HJA 5706AA.XXX	Body side moulding-RH door-lower -primer painted.....	1		
2	HJA 5707AA.XXX	Body side moulding-LH door-lower -primer painted	1		
3	HJA 5716AA.XXX	Body side moulding-RH lower-rear fender-primer painted.....	1		
3	HJA 5717AA.XXX	Body side moulding-LH lower-rear fender-primer painted	1		



TW6221

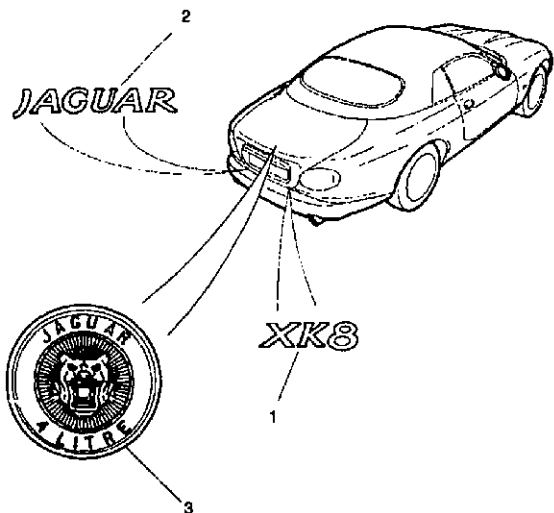
Illus	Part Number	Description	Quantity	Change Point	Remarks
1	HJA 5770AA	Fender motif-RH front.....	1		
1	HJA 5771AA	Fender motif-LH front.....	1		
2	HJA 5900AA	Bonnet badge	1		
3	JZW 100018	Star washer-M6	1		



TW6213

TRUNK LID BADGE

Illus	Part Number	Description	Quantity	Change Point	Remarks
1	HJA 5980BA	Trunk lid badge-RH-XK8	1	(1)	
1	HJB 5980BB	Trunk lid badge-RH-XK8	1	(2)	
2	HJA 5981AA	Trunk lid badge-LH-Jaguar	1	(1)	
2	HJB 5981AB	Trunk lid badge-LH-Jaguar	1	(2)	
3	HJB 5985BC	Trunk lid badge	NLA] (2)..... Use HJB5985BD. Except 4.0 Litre supercharged
3	HJB 5985BD	Trunk lid badge	1		



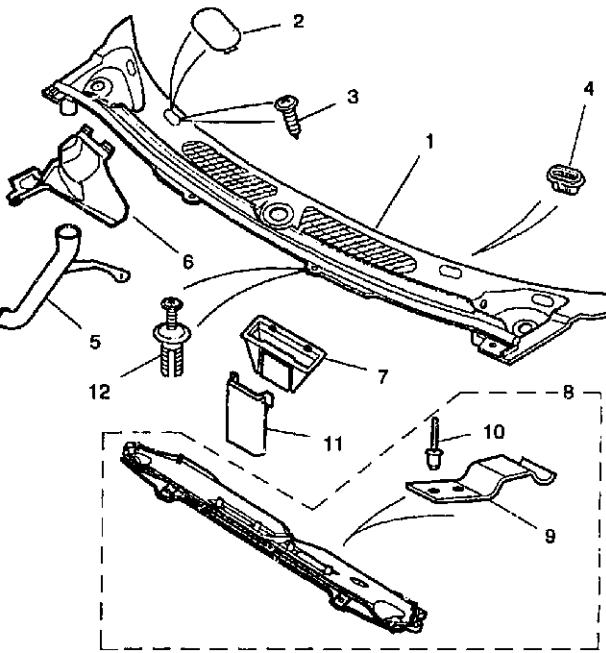
TW6682

CHANGE POINTS:

- (1) To (V) 024686
- (2) From (V) 024687

GRILLES

AIR INTAKE GRILLE



Ilus	Part Number	Description	Quantity	Change Point	Remarks
1	HJA 3833AD	Plenum cover-assembly.....	1	(1)	
1	HJA 3833AG	Plenum cover-assembly.....	1	(2)	
2	HJA 3835AA	Finisher cap.....	4		
3	JDA 60805C	Screw.....	8		
4	BD 48954	Lokut nut.....	8		
5	HJA 3822AA	Drain tube-plenum-RH.....	1		
5	HJA 3823AA	Drain tube-plenum-LH.....	1		
8	HJA 4492AB	Water deflector-RH.....	1		4.0 Litre
6	HJA 4493BA	Water deflector-LH.....	1	(3)	4.0 Litre;LHD
6	HJA 4493BC	Water deflector-LH.....	1	(4)	4.0 Litre;LHD
	JHG 10616F	Paint clearing screw.....	2		
7	HJA 3815AB	Duct-plenum.....	1		
8	GJA 8874AF	CLOSING PLATE-PLENUM-ASSEMBLY.....	1		Coupe
8	GJA 8874BF	CLOSING PLATE-PLENUM-ASSEMBLY.....	1		Convertible 2+2
9	GJA 8876AB	* Clip.....	2		
10	JZA 100001 J	* Pop rivet.....	4		
11	HJA 3825AA	Dust shield-plenum.....	1	(5)	
11	HJA 3825AB	Dust shield-plenum.....	NLA		Use HJA3825AC.
11	HJA 3825AC	Dust shield-plenum.....	1	(8)	
12	KRS 116140	Rivet screw.....	2		

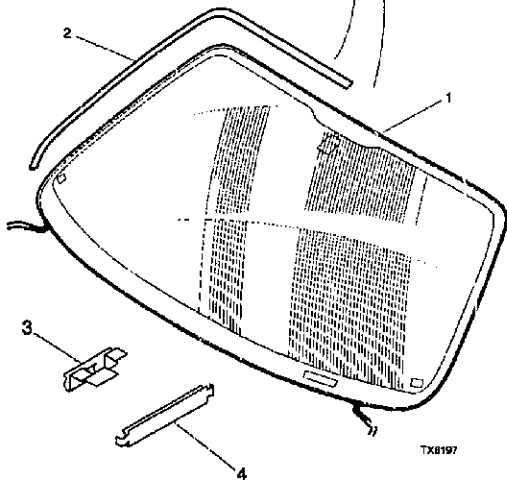
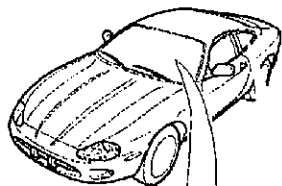
CHANGE POINTS:

- (1) To (V) 004714
- (2) From (V) 004715
- (3) To (V) 009389
- (4) From (V) 009390
- (5) To (V) 018104
- (6) From (V) 018105

TW6261

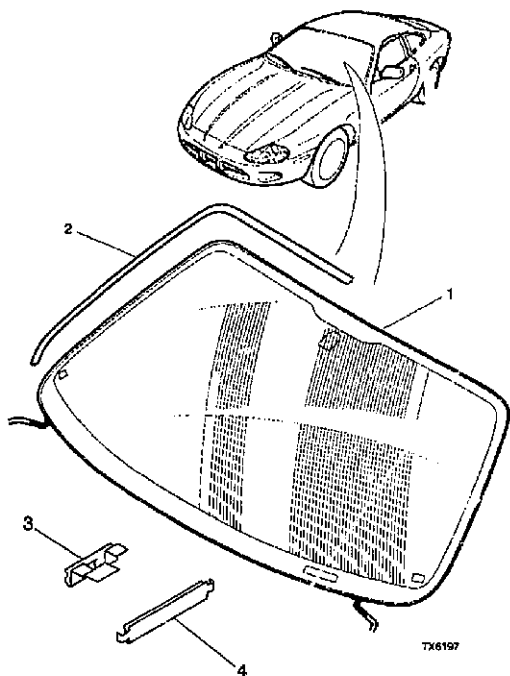
WINDSCREEN GLASS, SEAL/FINISHER-COUPÉ

Illus	Part Number	Description	Quantity	Change Point	Remarks
1	GJA 8801AE	Windscreen glass-tinted glass.....	1		Except heated windscreen
1	GJA 8801CE	Windscreen glass-tinted glass.....	1		Heated windscreen
2	GJA 8850AA	Windscreen finisher-seal-RH.....	1		
2	GJA 8851AA	Windscreen finisher-seal-LH.....	1		
3	JZE 100030	Special spring clip-5mm.....	A/R		
4	JZE 100032	Connector clip.....	A/R		
	BAC 3859	Buffer-rubber.....	2		



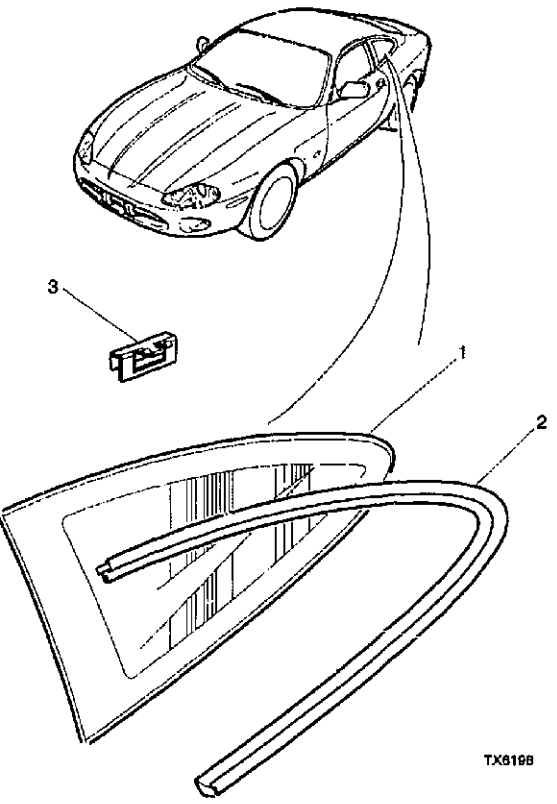
WINDSCREEN GLASS, SEAL/FINISHER-CONVERTIBLE

Illus	Part Number	Description	Quantity	Change Point	Remarks
	1 GJA 8801AE	Windscreen glass-tinted glass	1		Except heated windscreen
	1 GJA 8801CE	Windscreen glass-tinted glass	1		Heated windscreen
	2 GJA 8850AA	Windscreen finisher-seal-RH.....	1		
	2 GJA 8851AA	Windscreen finisher-seal-LH.....	1		
	3 JZE 100030	Special spring clip-5mm	A/R		
	4 JZE 100032	Connector clip.....	A/R		
	BAC 3359	Buffer-rubber.....	2		



QUARTER GLASS AND SEAL-REAR-COUPÉ

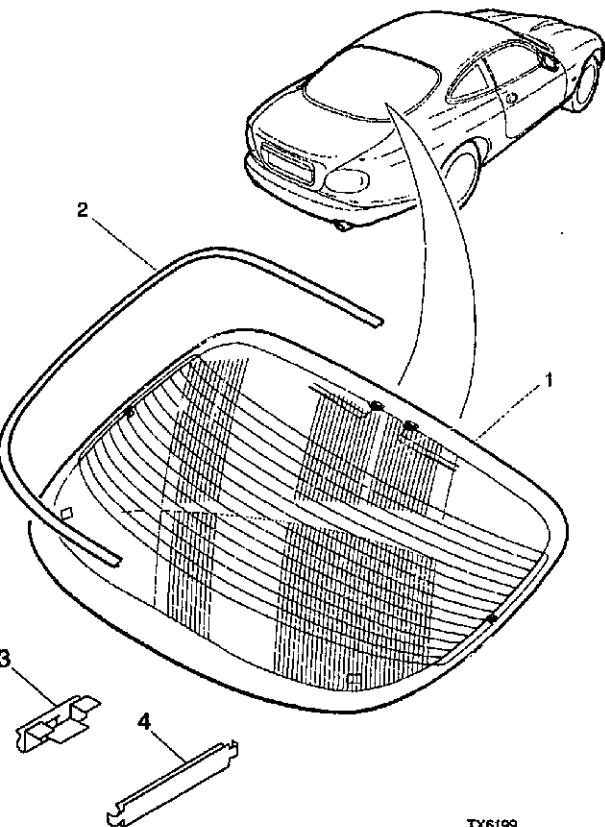
Illus	Part Number	Description	Quantity	Change Point	Remarks
1	GJA 2200BF	Quarter glass encapsulation -RH.....	1		
1	GJA 2201BF	Quarter glass encapsulation -LH.....	1		
2	GJA 2230AF	Quarter glass finisher-RH.....	1		
2	GJA 2231AF	Quarter glass finisher-LH.....	1		
3	JZE 100050	Spring clip-rear quarter glass-finisher fixing	10		



TX819B

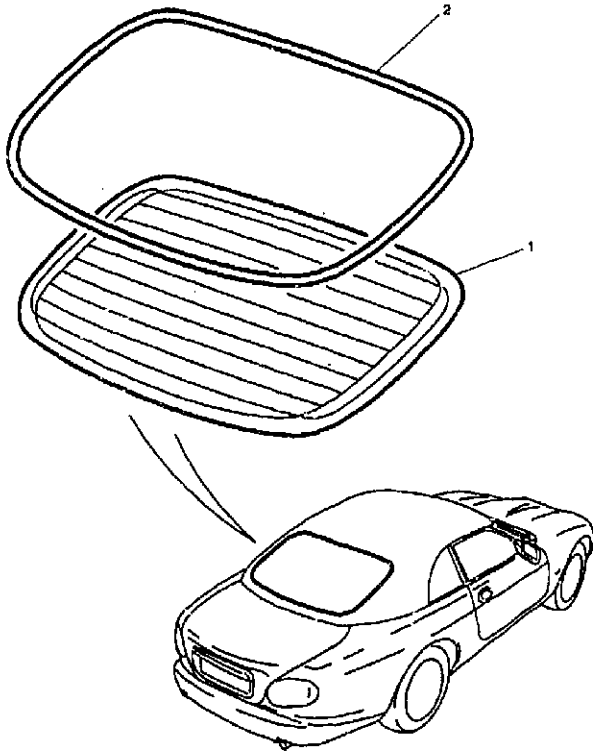
HEATED BACKLIGHT GLASS AND SEAL/FINISHER-COUPÉ

Illus	Part Number	Description	Quantity	Change Point	Remarks
	1 GJA 9021CE	Backlight glass.....	1		High mounted stop lamp
	2 GJA 9018AB	Backlight glass finisher-seal-RH.....	1		
	2 GJA 9018AB	Backlight glass finisher-seal-LH.....	1		
	3 JZE 100031	Special spring clip-4mm	A/R		
	4 JZE 100032	Connector clip.....	A/R		
	GJA 9018AA	BACKLIGHT GLASS FINISHER KIT-ASSEMBLY.....	1		
		SERVICE-KIT			
	2 GJA 9018AB	• Backlight glass finisher-seal-RH.....	1		
	2 GJA 9019AB	• Backlight glass finisher-seal-LH	1		



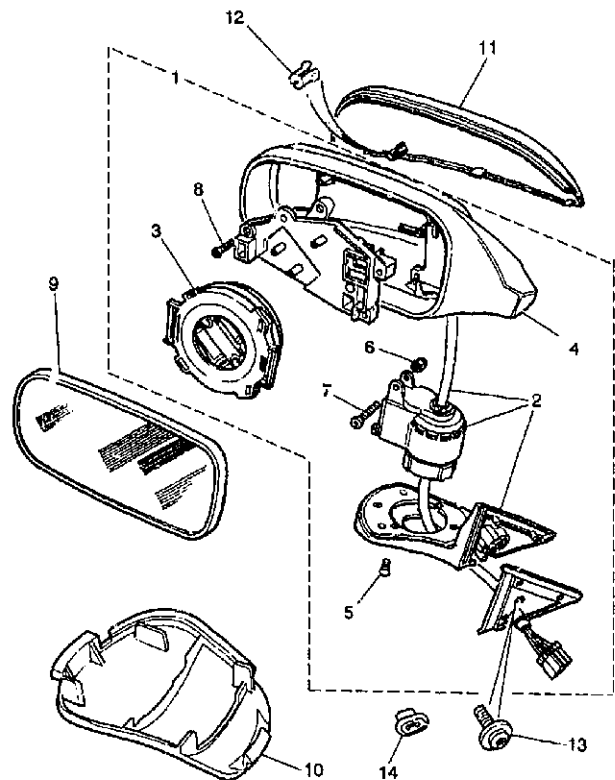
HEATED BACKLIGHT GLASS AND SEAL-CONVERTIBLE

Illus	Part Number	Description	Quantity	Change Point	Remarks
1	GJA 9021FD	Backlight glass.....	1		
2	GJA 9022AC	Backlight glass seal-outer.....	1		



EXTERIOR DOOR MIRROR

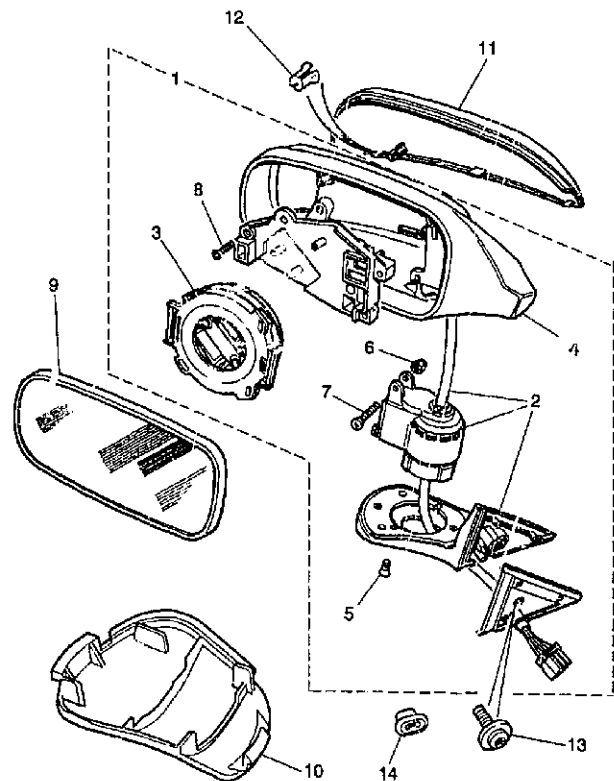
Illus	Part Number	Description	Quantity	Change Point	Remarks
	1 HJA 3400AA	DOOR MIRROR-ASSEMBLY-RH-LESS	NLA		Use HJB3400AA.
		GLASS/BACKCOVER			
	1 HJB 3400AA	DOOR MIRROR-ASSEMBLY-RH-LESS	1		Except power park mirror
		GLASS/BACKCOVER			
	2 HJA 3406AA	• Mechanism-RH-memory	NLA		Use HJA3400AA.
	2 HJA 3404AA	• Mechanism-RH-non memory	NLA		Part of HJA3400AA.
	3 HNA 3066AB	• Motor-assembly-memory	1		
	3 HNA 3064AA	• Motor-assembly-non memory	1		
	4 HJA 3052AA	• Mirror: case bezel -RH	NLA		
	5 HNA 3412AA	• Screw	6		
	6 HNA 3414AA	• Nut	4		
	7 HNA 3415AA	• Screw	4		
	8 HNA 3416AA	• Screw	6		
	1 HJA 3401AA	DOOR MIRROR-ASSEMBLY-LH-LESS	NLA		Use HJB3401AA.
		GLASS/BACKCOVER			
	1 HJC 3401AA	DOOR MIRROR-ASSEMBLY-LH-LESS	1		Except power park mirror
		GLASS/BACKCOVER			
	2 HJA 3407AA	• Mechanism-LH-memory	NLA		Use HJA3401AA.
	2 HJA 3405AA	• Mechanism-LH-non memory	NLA		Part of HJA3401AA.
	3 HNA 3066AB	• Motor-assembly-memory	1		
	3 HNA 3064AA	• Motor-assembly-non memory	1		
	4 HJA 3053AA	• Mirror: case bezel -LH	NLA		
	5 HNA 3412AA	• Screw	6		
	6 HNA 3414AA	• Nut	4		
	7 HNA 3415AA	• Screw	4		
	8 HNA 3416AA	• Screw	6		



TX6211

EXTERIOR DOOR MIRROR

Illus	Part Number	Description	Quantity	Change Point	Remarks
	1 HJA 3402AB	DOOR MIRROR-LESS GLASS/BACKCOVER-RH.....	NLA		Use HJB3402AA.
	1 HJB 3402AA	ELECTROCHROMATIC.....	1		Memory,power park mirror
	2 HJA 3410AB	DOOR MIRROR-LESS GLASS/BACKCOVER-RH.....	1		Use HJA3402AB.
		• Mechanism-RH-electrochromatic-memory.....	NLA		Part of HJA3402AB.
	3 HNA 3066AB	• Motor-assembly-memory.....	1		
	4 HJA 3052AA	• Mirror case bezel -RH.....	NLA		
	5 HNA 3412AA	• Screw.....	3		
	6 HNA 3414AA	• Nut.....	2		
	7 HNA 3415AA	• Screw.....	2		
	8 HNA 3416AA	• Screw.....	3		
	1 HJA 3403AB	DOOR MIRROR-LESS GLASS/BACKCOVER-LH.....	NLA		Use HJB3403AA.
		ELECTROCHROMATIC.....	1		Memory,power park mirror
	1 HJB 3403AA	DOOR MIRROR-LESS GLASS/BACKCOVER-LH.....	1		Use HJA3403AB.
	2 HJA 3411AB	• Mechanism-LH-electrochromatic-memory.....	NLA		Part of HJA3403AB.
	3 HNA 3066AB	• Motor-assembly-memory.....	1		
	4 HJA 3053AA	• Mirror case bezel -LH.....	NLA		
	5 HNA 3412AA	• Screw.....	3		
	6 HNA 3414AA	• Nut.....	2		
	7 HNA 3415AA	• Screw.....	2		
	8 HNA 3416AA	• Screw.....	3		



TX6211

illus Part Number

Description

Quantity Change
Point Remarks

9 HNA 3072AA
9 HNA 3078AA
9 HNA 3420AA

Mirror glass -flat 1
Mirror glass -1400mm radius-with warning 1
Mirror glass -1400mm radius-with warning- 1
electrochromatic 1

10 HJA 3058AA
10 HJA 3059AA

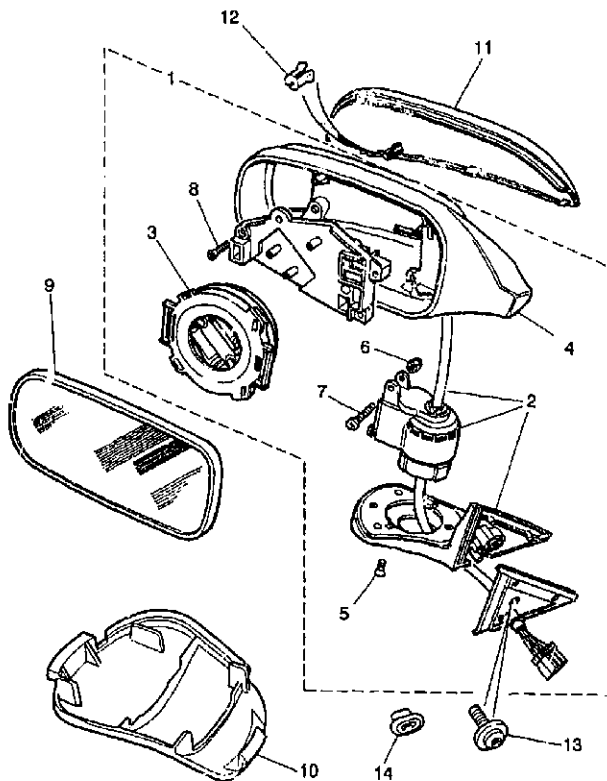
Cap-RH NLA
Cap-LH NLA

11 HNA 3058AA
11 HNA 3057AA

Mirror backcover -RH-primer painted 1
Mirror backcover -LH-primer painted 1

12 HNA 3417AA
13 JZH 100028
14 AGU 2388J

Tubular clip 6
Screw/washer -assembly-mirror to door 2
Panel grommet -short 2



TX6211

MASTER INDEX
ENGINE..... 1 D
ENGINE MANAGEMENT/EMISSION SYSTEMS..... 1 F
AIR AND FUEL DELIVERY SYSTEMS..... 1 G
ENGINE COOLING SYSTEM..... 1 H
EXHAUST SYSTEM AND COMPONENTS..... 1 I
TRANSMISSION AND DRIVELINE..... 1 J
STEERING AND SUSPENSION..... 1 K
BRAKING SYSTEM..... 1 M
AIR CONDITIONING/HEATING/VENTILATION..... 1 N
WIPER AND WASHER SYSTEMS..... 1 O
ELECTRICAL DISTRIBUTION SYSTEM..... 2 C
INFORMATION SYSTEMS AND CONTROLS..... 2 E
BATTERY/STARTER MOTOR/ALTERNATOR..... 2 F
IN CAR ENTERTAINMENT..... 2 G
LIGHTING - EXTERIOR/INTERIOR..... 2 H
LOCKING/SECURITY SYSTEMS/HORNS..... 2 I
SEATING..... 2 J
OCCUPANT RESTRAINTS..... 2 L
INTERIOR TRIM AND LININGS..... 2 M
EXTERIOR FITTINGS AND SUNROOF..... 3 C
BODY CLOSURES AND SEALING..... 3 D
BODY METAL PANELS AND SEALING..... 3 G
ACCESSORIES/CONSUMABLES/INDEX..... 3 H

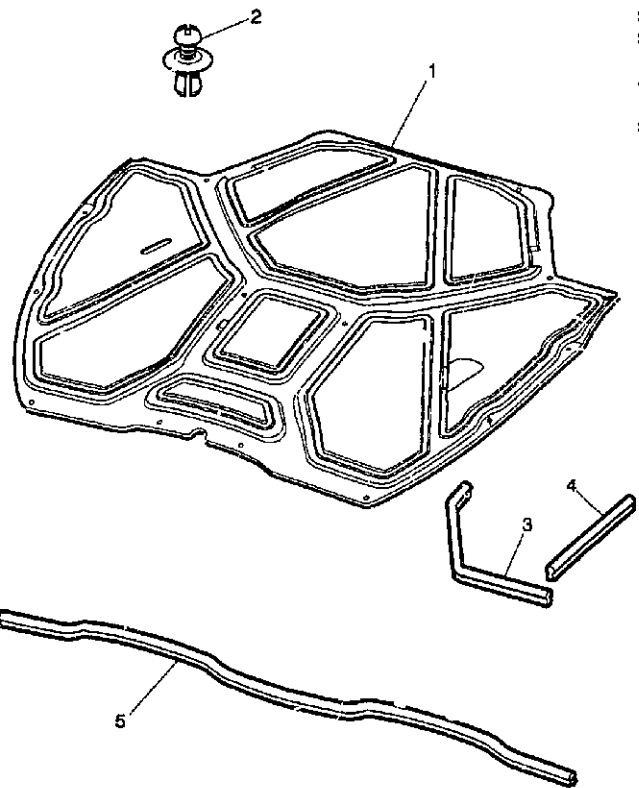
GROUP INDEX
BONNET LATCHING MECHANISM AND..... 3. D 02
CONVERTIBLE HOOD AND SEALS..... 3. E 09
CONVERTIBLE REAR QUARTER MECHANISM..... 3. E 18
DOOR GLASSES AND FRAMES..... 3. D 10
DOOR HANDLES AND LOCKS..... 3. D 13
DOOR HINGES..... 3. E 06
DOOR SEALS..... 3. E 07
ELECTRICAL SWITCHES..... 3. F 02
TRUNK LATCHING MECHANISMS AND..... 3. D 06

BONNET INSULATION AND SEALS..... 3. D 02
BONNET LOCK MECHANISM..... 3. D 04
BONNET STAY GAS STRUTS..... 3. D 05
DOOR GLASS AND SEAL-CONVERTIBLE..... 3. D 11
DOOR GLASS AND SEAL-COUCHE..... 3. D 10
DOOR GLASS REGULATOR-FRONT..... 3. D 12
DOOR HANDLE WITH REMOTE CONTROL..... 3. D 14
DOOR HINGE AND CHECK ARM..... 3. E 06
DOOR LATCH..... 3. E 04
DOOR SEAL-CONVERTIBLE..... 3. E 08
DOOR SEAL-COUCHE..... 3. E 07
FILLER LATCH AND MECHANISM..... 3. E 05
HOOD LIFT MECHANISM-CONVERTIBLE..... 3. E 16
HOOD SEAL-CONVERTIBLE..... 3. E 14
HOOD STOWAGE COVER-CONVERTIBLE..... 3. E 15
HOOD-CONVERTIBLE..... 3. E 09
LOCK BARREL..... 3. D 13
QUARTER GLASS REGULATORS-REAR..... 3. E 18
TRUNK LID GAS STRUT..... 3. D 09
TRUNK LID MICROSWITCH..... 3. F 02
TRUNK LOCK AND LATCH..... 3. D 08
TRUNK SEAL-CONVERTIBLE..... 3. D 07
TRUNK SEAL-COUCHE..... 3. D 06

UNDER BONNET COVERS..... 3. D 03

BONNET INSULATION AND SEALS

Illus	Part Number	Description	Quantity	Change Point	Remarks
1	HJB 2640AA	Bonnet liner.....	1		
2	KRS 113130	Rivet screw -assembly.....	12		
3	HJA 5246BC	Bulkhead seal-RH.....	1	}	(1)
3	HJA 52473C	Bulkhead seal-LH.....	1		
3	HJA F245AA	Bulkhead seal.....	2		(2)
4	HJA 5244AD	Bonnet seal-side.....	2		
5	HJA 5240AF	Bonnet seal-front.....	1		

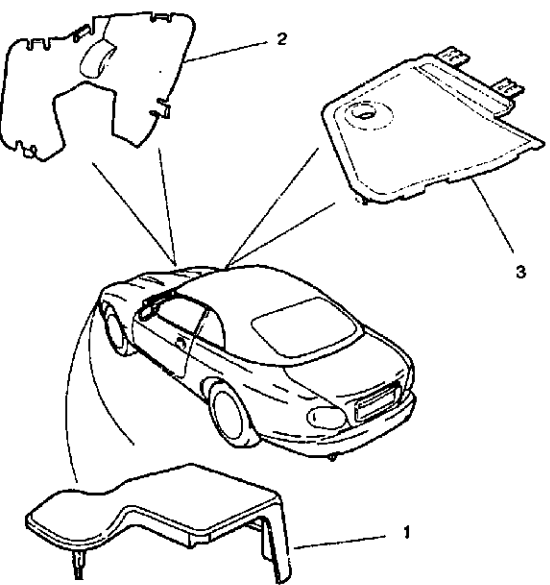


TX6193

CHANGE POINTS:
(1) To (V) 010097
(2) From (V) 010099

UNDER BONNET COVERS

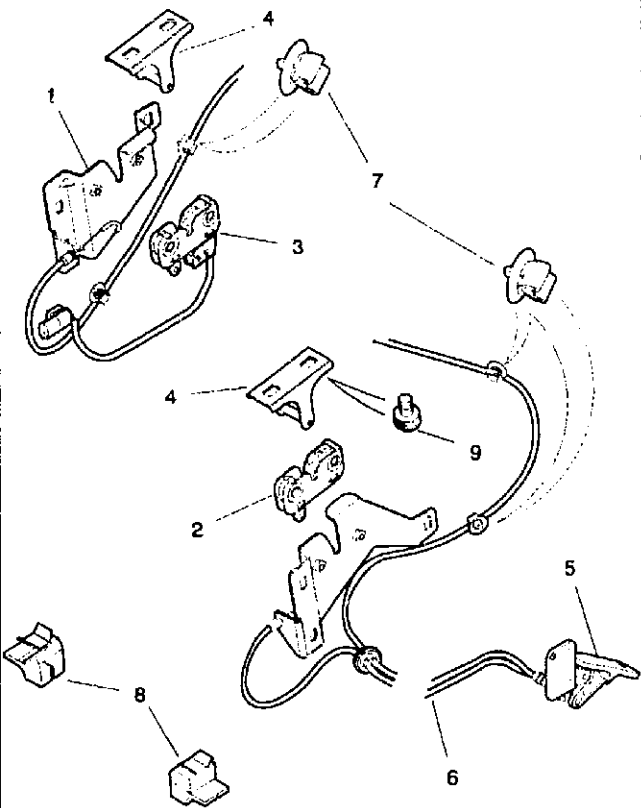
Illus	Part Number	Description	Quantity	Change Point	Remarks
1	NJA 3984AC	Cover-engine bay.....	1		
2	HJA 2697CA	Aperture blanking cover-headlamp-mounting plate.....	1		
3	NJA 3978AD	Bulkhead cover-RH.....	1		
3	NJA 3979AD	Bulkhead cover-LH.....	1		



TW8249

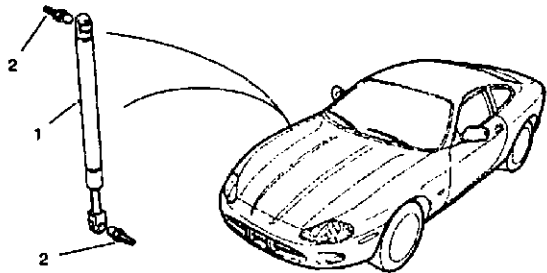
BONNET LOCK MECHANISM

Illustration	Part Number	Description	Quantity	Change Point	Remarks
	1 HJA 2408AC	Latch fixing plate-RH.....	1		
	1 HJA 2407AC	Latch fixing plate-LH.....	1		
	2 HJA 2402AB	Bonnet latch -assembly-LH.....	1		
	3 HJA 2402BA	Bonnet latch -assembly-RH-with security switch.....	1		
	4 HJA 2420AB	Bonnet lock striker.....	2		
	5 HNC 2581AB	Bonnet release lever-assembly-LH.....	1		
	6 HJA 2541AD	Bonnet release cable.....	1		
	7 KDF 105031	Arrow head pipe clip.....	8		
	8 HJA 2431AB	Bonnet stop buffer.....	2		
	9 HJA 2431BA	Bonnet stop buffer.....	2		
	FNA 1019AA	Buffer.....	2		
	JXC 10830E	Torx screw.....	4		
	JZS 100107	Paint clearing screw-M6 x 20mm.....	6		
	JZS 100139	Flange head torx screw-M6.....	2		
	FR 109041J	Flange nut-M6.....	2		



BONNET STAY GAS STRUTS

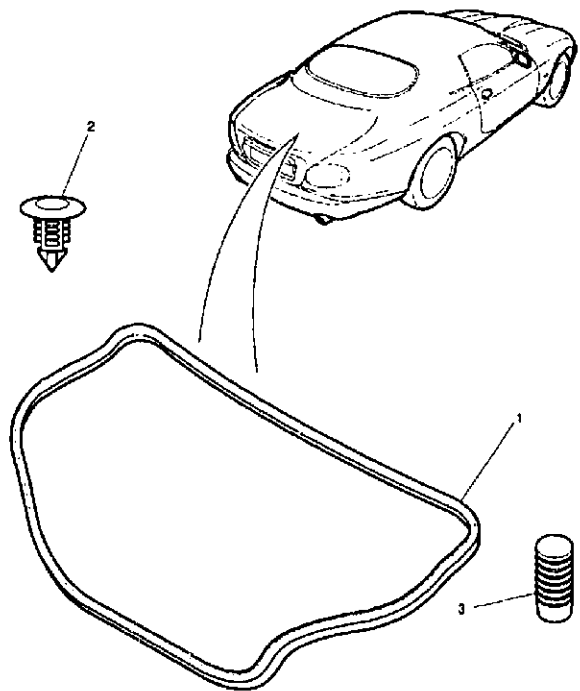
Qty	Part Number	Description	Quantity	Change Point	Remarks
1	HJA 2500AB	Bonnet gas strut	2		
2	BEC 13584	Boltpin	4		
	FB 106061	Washer faced bolt	4		



TW6174

TRUNK SEAL-COUPÉ

Qty	Part Number	Description	Quantity	Change Point	Remarks
1	HJA 5372AC	Trunk aperture seal.....	1	(1)	
1	HJA 5372AD	Trunk aperture seal.....	1	(2)	
2	KTC 100010	Fir tree clip.....	8		
3	HJA 5373AB	Trunk lid buffer.....	2		

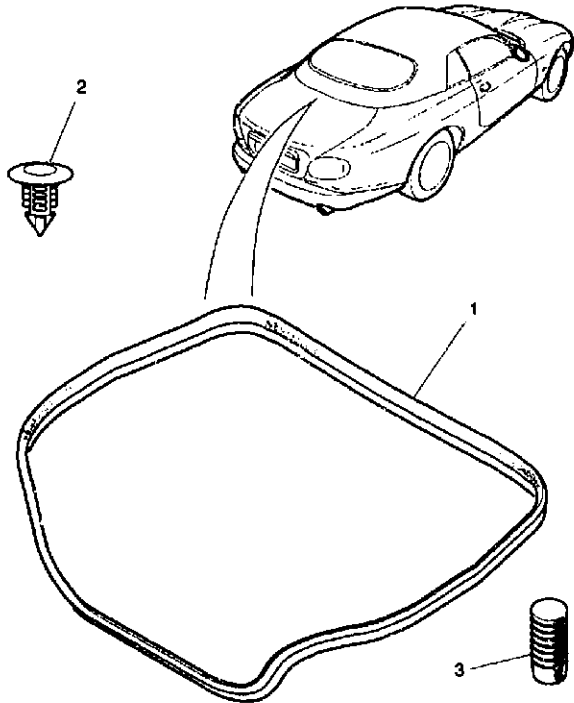


TW0196

CHANGE POINTS:
(1) To (V) 022177
(2) From (V) 022178

TRUNK SEAL-CONVERTIBLE

Mus	Part Number	Description	Quantity	Change Point	Remarks
1	HJA 5372BC	Trunk aperture seal.....	1	(1)	
1	HJA 5372BD	Trunk aperture seal.....	1	(2)	
2	KTC 100010	Fix tree clip.....	8		
3	HJA 5373A5	Trunk lid buffer.....	2		



TX6158

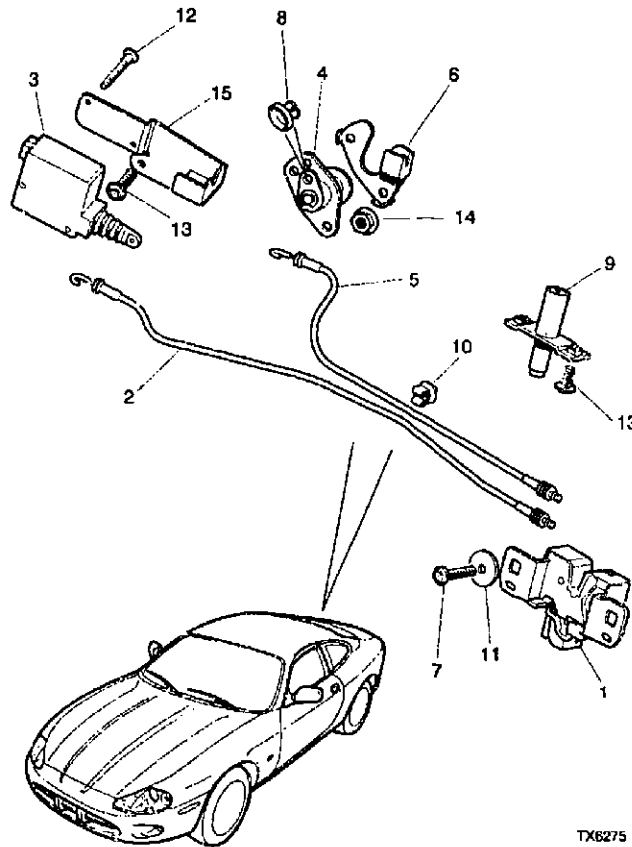
CHANGE POINTS:

(1) To (V) 022177

(2) From (V) 022178

TRUNK LOCK AND LATCH

Illus	Part Number	Description	Quantity	Change Point	From/To
	1	GJA 3500AB	Trunk latch	1	
	2	GJA 3482AA	Trunk lid latch actuator	1	(1)
	2	GJA 3482AB	Trunk lid latch actuator	1	(2)
	3	BDC 7550	Trunk lid latch actuator-remote release	1	(3)
	3	GNC 3535AA	Trunk lid latch actuator-remote release	1	(4)
	4	HNA 7211AA	Trunk lock barrel	1	
	5	GJA 3487AA	Cable-remote release-trunk	1	(1)
	5	GJA 3487AB	Cable-remote release-trunk	1	(2)
	6	GJA 3518AB	Abutment bracket-trunk lid lock	1	
	7	JXR 10616F	Paint clearing screw	4	
	8	BDC 7616	Z-bend bush	1	
	9	GJA 3516AA	Pop up trunk plunger	1	
	10	KDF 105031	Arrow head pipe clip	6	
	11	WJ 600041	Washer	2	
	12	JPT 10425B	Thread forming screw	2	
	13	JXR 10620F	Paint clearing setscrew-torx head	4	
	14	FN 106041	Flange nut-M6	2	
	15	GJA 3538AC	Actuator bracket-trunk lid	1	
	AGU 2020	Torx head screw-M6	4		



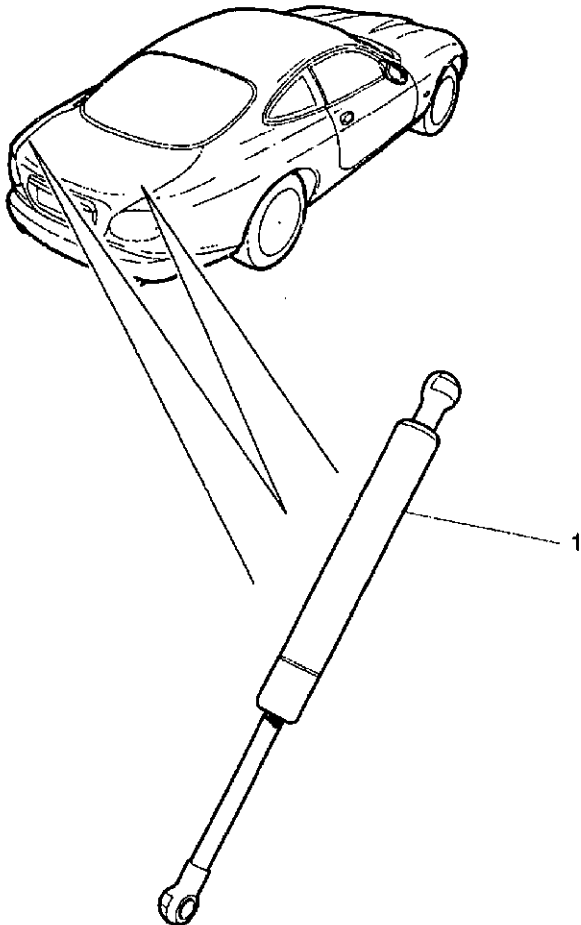
TX6275

CHANGE POINTS:

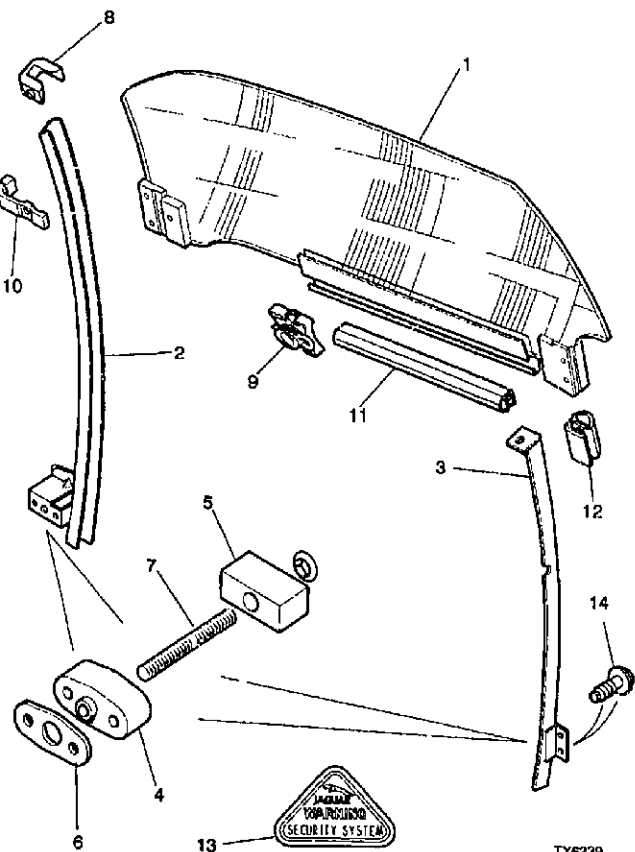
- (1) To (V) 018999
- (2) From (V) 019000
- (3) To (V) 018854
- (4) From (V) 018855

TRUNK LID GAS STRUT

Illus	Part Number	Description	Quantity	Change Point	Remarks
	1 GJA 3800BB	Trunk lid gas strut	2	Coupe
	1 GJA 3800AB	Trunk lid gas strut	2	Convertible 2+2



Illus	Part Number	Description	Quantity	Change Point	Remarks
	1	GJA 1000AG	Door glass and carrier-RH.....	1	
	1	GJA 1001AG	Door glass and carrier-LH.....	1	
	2	GJA 1014AE	Guide rail -RH forward.....	1	
	2	GJA 1015AE	Guide rail -LH forward.....	1	
	3	GJA 1016AE	Guide rail -RH rearward.....	1	(1)
	3	GJA 1016AF	Guide rail -RH rearward.....	1	(2)
	3	GJA 1017AF	Guide rail -LH rearward.....	1	
	4	GJA 1052AC	Adjustment block-window lift-door glass-inner.....	2	
	5	GJA 1053AC	Adjustment block-window lift-door glass-outer.....	2	
	6	GJA 1051AC	Gasket-adjustable-window lift-door glass.....	2	
	7	GJA 1065AC	Rod-adjustable-door glass.....	2	
	8	GJA 1049AC	Guide-door glass.....	2	
	9	GJA 1744AA	Slider bar.....	2	
	10	GJA 2034AA	Slide clamp-door glass-front.....	2	
	11	GJA 1718AA	Anti rattle buffer-door glass.....	2	
	12	GJA 1718BA	Anti rattle buffer-door glass.....	2	
	13	DBC 596S	Security label-alarm.....	2	
	14	JZS 100117	Torx flange head screw-M6 x 14mm.....	8	
		JSU 10840J	Socket head screw.....	4	
		JXB 10612E	Flange head torx screw.....	2	



TX6239

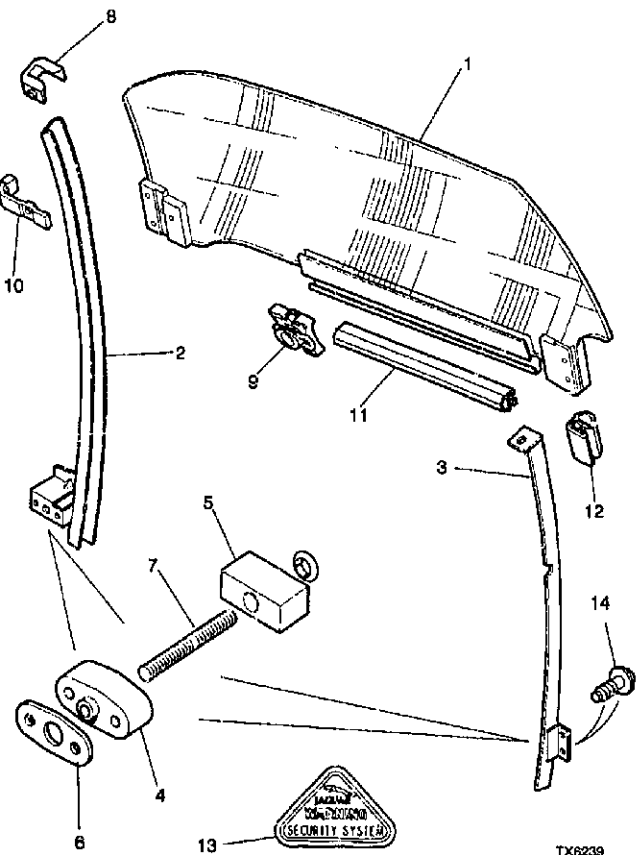
CHANGE POINTS:

(1) To (V) 011493

(2) From (V) 011494

DOOR GLASS AND SEAL-CONVERTIBLE

Illus	Part Number	Description	Quantity	Change Point	Remarks
	1	GJA 1000BG Door glass and carrier-RH	1		
	1	GJA 1001BG Door glass and carrier-LH	1		
	2	GJA 1014AE Guide rail -RH forward	1		
	2	GJA 1015AE Guide rail -LH forward	1		
	3	GJA 1016AE Guide rail -RH rearward	1	(1)	
	3	GJA 1016AF Guide rail -RH rearward	1	(2)	
	3	GJA 1017AF Guide rail -LH rearward	1		
	4	GJA 1052AC Adjustment block-window lift-door glass-inner	2		
	5	GJA 1053AC Adjustment block-window lift-door glass-outer	2		
	6	GJA 1051AC Gasket-adjustable-window lift-door glass	2		
	7	GJA 1065AC Rod-adjustable-door glass	2		
	8	GJA 1048AC Guide-door glass	2		
	9	GJA 1744AA Slider bar	2		
	10	GJA 2034AA Slide clamp-door glass-front	2		
	11	GJA 1718AA Anti rattle buffer-door glass	2		
	12	GJA 1718BA Anti rattle buffer-door glass	2		
	13	DBC 5965 Security label-alarm	2		
	14	JZS 100117 Torx flange head screw-M6 x 14mm	8		
		JSU 10840J Socket head screw	4		
		JXR 10612E Flange head torx crew	2		

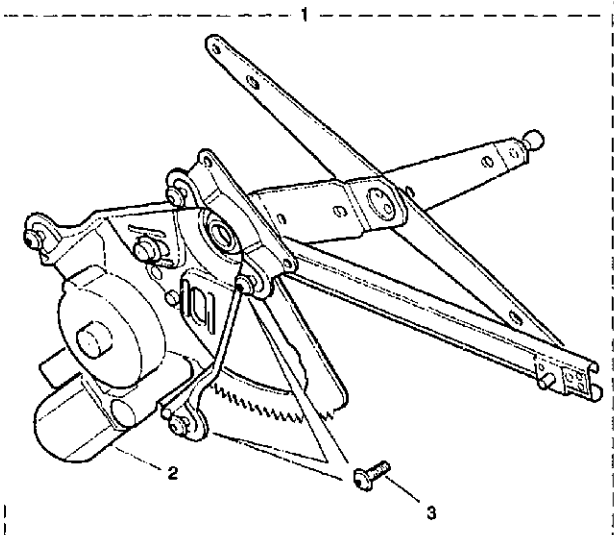


TX6239

CHANGE POINTS:
(1) To (V) 011493
(2) From (V) 011494

DOOR GLASS REGULATOR-FRONT

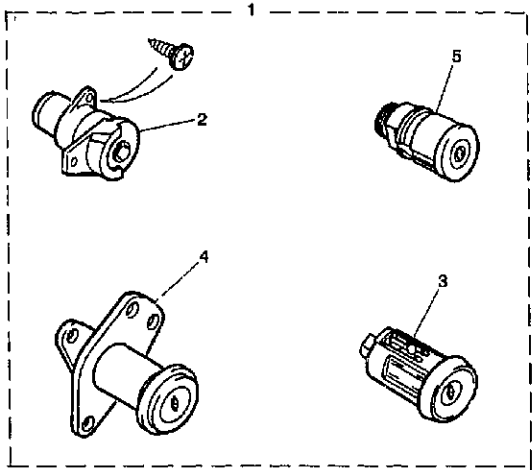
Illus	Part Number	Description	Quantity	Change Point	Remarks
1	GJA 1730AD	WINDOW REGULATOR AND MOTOR-ASSEMBLY-RH.....	1		
2	GJA 1732AB	• Window regulator motor-RH.....	1		
3	JXB 10810FP	• Flange head torx screw.....	2		
1	GJA 1731AD	WINDOW REGULATOR AND MOTOR-ASSEMBLY-LH.....	1		
2	GJA 1733AB	• Window regulator motor-LH.....	1		
3	JXB 10810FP	• Flange head torx screw.....	2		



TX6240

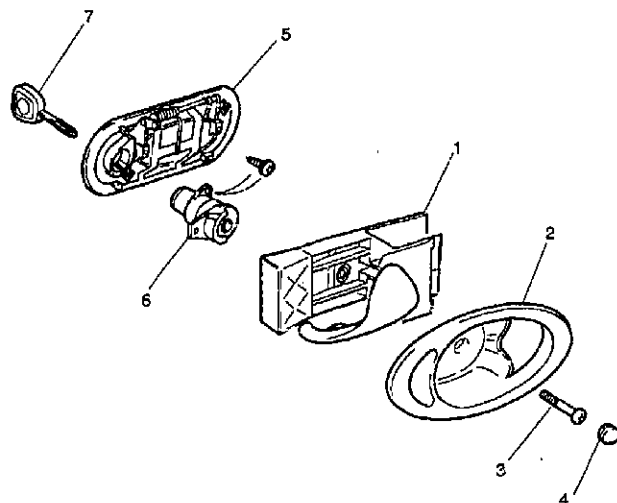
LOCK BARREL

Illus	Part Number	Description	Quantity	Change Point	Remarks
1	JLM 12329	LOCK BARREL-CAR SET.....	1		
2	JLM 11988	• Door lock barrel-LH.....	1		
3	BCC 7849	• Lock barrel-single.....	1		
4	HNA 7211AA	• Trunk lock barrel.....	1		
5	HJA 7212BB	• Glovebox lock barrel.....	1		



DOOR HANDLE WITH REMOTE CONTROL

Illus	Part Number	Description	Quantity	Change Point	Remarks
	1 GJA 1100BCAEK	Remote control handle-RH-Sable.....	1		
	1 GJA 1100BCAGE	Remote control handle-RH-Antelope.....	1		
	1 GJA 1100BCHDV	Remote control handle-RH-Dark teal.....	1		
	1 GJA 1100BCLEG	Remote control handle-RH-Warm charcoal.....	1		
	1 GJA 1100BCSDC	Remote control handle-RH-Coffee.....	1	(1)	
	1 GJA 1101BCAEK	Remote control handle-LH-Sable.....	1		
	1 GJA 1101BCAGE	Remote control handle-LH-Antelope.....	1		
	1 GJA 1101BCHDV	Remote control handle-LH-Dark teal.....	1		
	1 GJA 1101BCLEG	Remote control handle-LH-Warm charcoal.....	1		
	1 GJA 1101BCSDC	Remote control handle-LH-Coffee.....	1	(1)	
	2 GJA 1154CAEK	Remote control escutcheon-RH-Sable.....	1		With memory
	2 GJA 1154CAGE	Remote control escutcheon-RH-Antelope.....	1		
	2 GJA 1154ACHDV	Remote control escutcheon-RH-Dark teal.....	1		
	2 GJA 1154ACLEG	Remote control escutcheon-RH-Warm charcoal.....	1		
	2 GJA 1154ACSDC	Remote control escutcheon-RH-Coffee.....	1	(1)	
	2 GJA 1155CAEK	Remote control escutcheon-LH-Sable.....	1		
	2 GJA 1155CAGE	Remote control escutcheon-LH-Antelope.....	1		
	2 GJA 1155ACHDV	Remote control escutcheon-LH-Dark teal.....	1		
	2 GJA 1155ACLEG	Remote control escutcheon-LH-Warm charcoal.....	1		
	2 GJA 1155ACSDC	Remote control escutcheon-LH-Coffee.....	1	(1)	
	2 GJA 1154BCAEK	Remote control escutcheon-RH-Sable.....	1		Without memory
	2 GJA 1154BCAGE	Remote control escutcheon-RH-Antelope.....	1		
	2 GJA 1154BCHDV	Remote control escutcheon-RH-Dark teal.....	1		
	2 GJA 1154BCLEG	Remote control escutcheon-RH-Warm charcoal.....	1		
	2 GJA 1154BCSDC	Remote control escutcheon-RH-Coffee.....	1	(1)	
	2 GJA 1155BCAEK	Remote control escutcheon-LH-Sable.....	1		
	2 GJA 1155BCAGE	Remote control escutcheon-LH-Antelope.....	1		
	2 GJA 1155BCHDV	Remote control escutcheon-LH-Dark teal.....	1		
	2 GJA 1155BCLEG	Remote control escutcheon-LH-Warm charcoal.....	1		
	2 GJA 1155BCSDC	Remote control escutcheon-LH-Coffee.....	1	(1)	

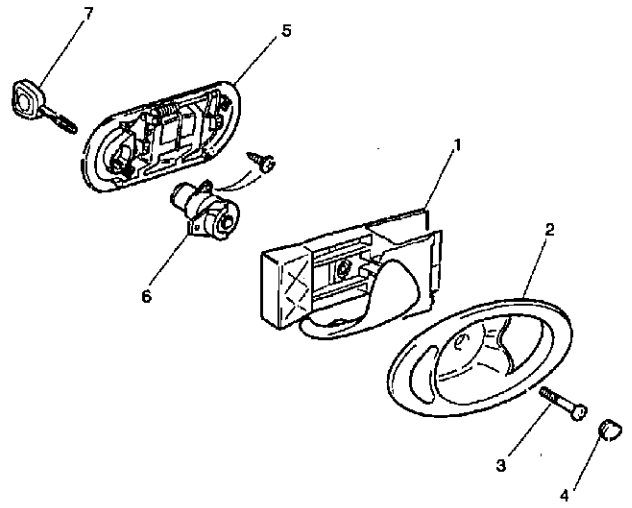


TX6598

CHANGE POINTS:
(1) To (V) 018107

DOOR HANDLE WITH REMOTE CONTROL

Illus	Part Number	Description	Quantity	Change Point	Remarks
3	SE 105161	Setscrew	2		
4	GJA 1108ACAEK	Escutcheon screw cover-Sable	2		
4	GJA 1108ACAGE	Escutcheon screw cover-Antelope	2		
4	GJA 1108ACHDV	Escutcheon screw cover-Dark teal	2		
4	GJA 1108ACLEG	Escutcheon screw cover-Warm charcoal	2		
4	GJA 1108ACSDC	Escutcheon screw cover-Coffee	2	(1)	

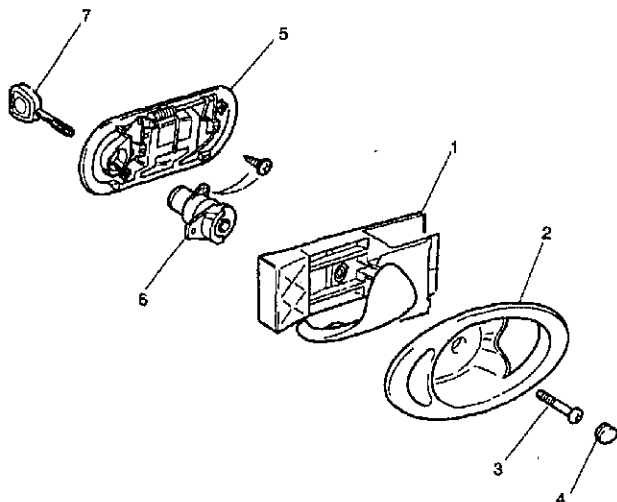


TX6596

CHANGE POINTS:
(1) To (V) 018107

DOOR HANDLE WITH REMOTE CONTROL

Illus	Part Number	Description	Quantity	Change Point	Remarks
	5 JLM 12032 HGF	Door handle-RH-chromed flap-without lock barrel..... 1 aperture-passenger-Alpine	1	(1)	
	5 JLM 12032 KDJ	Door handle-RH-chromed flap-without lock barrel 1 aperture-passenger-Amaranth	1		
	5 JLM 12032 PED	Door handle-RH-chromed flap-without lock barrel..... 1 aperture-passenger-Anthracte	1		
	5 JLM 12032 JHH	Door handle-RH-chromed flap-without lock barrel..... 1 aperture-passenger-Antigua	1		
	5 JLM 12032 JHF	Door handle-RH-chromed flap-without lock barrel..... 1 aperture-passenger-Aquamarine.....	1		
	5 JLM 12032 HGD	Door handle-RH-chromed flap-without lock barrel..... 1 aperture-passenger-British racing green	1		
	5 JLM 12032 CGG	Door handle-RH-chromed flap-without lock barrel..... 1 aperture-passenger-Carnival.....	1		
	5 JLM 12032 MDT	Door handle-RH-chromed flap-without lock barrel..... 1 aperture-passenger-Meteorite	1		
	5 JLM 12032 JHE	Door handle-RH-chromed flap-without lock barrel..... 1 aperture-passenger-Sapphire.....	1		
	5 JLM 12032 NEE	Door handle-RH-chromed flap-without lock barrel..... 1 aperture-passenger-Spindrift.....	1		
	5 JLM 12032 SEC	Door handle-RH-chromed flap-without lock barrel..... 1 aperture-passenger-Topaz	1		

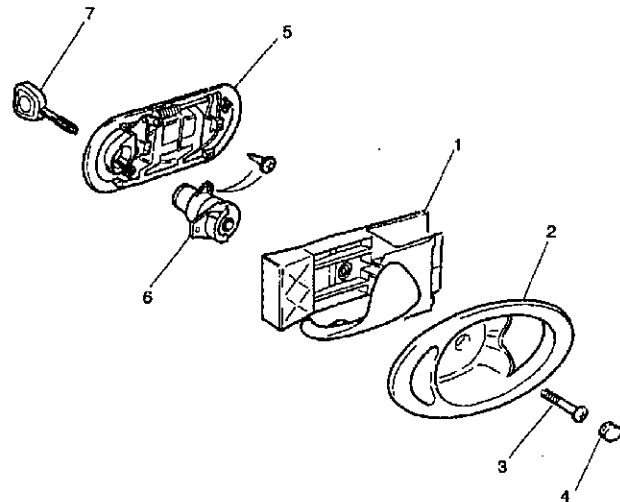


TX6598

CHANGE POINTS:
(1) From (V) 031303

DOOR HANDLE WITH REMOTE CONTROL

Illus	Part Number	Description	Quantity	Change Point	Remarks
5	JLM 12031 HGF	Door handle-LH front-chromed flap-with lock barrel..... 1 aperture-driver -Alpine.....	1	(1)	
5	JLM 12031 KDJ	Door handle-LH front-chromed flap-with lock barrel..... 1 aperture-driver -Anaranth.....	1		
5	JLM 12031 PED	Door handle-LH front-chromed flap-with lock barrel..... 1 aperture-driver -Anthracite.....	1		
5	JLM 12031 JHH	Door handle-LH front-chromed flap-with lock barrel..... 1 aperture-driver -Antigua.....	1		
5	JLM 12031 JHF	Door handle-LH front-chromed flap-with lock barrel..... 1 aperture-driver -Aquamarine.....	1		
5	JLM 12031 HGD	Door handle-LH front-chromed flap-with lock barrel..... 1 aperture-driver -British racing green.....	1		
5	JLM 12031 CGG	Door handle-LH front-chromed flap-with lock barrel..... 1 aperture-driver -Carnival.....	1		
5	JLM 12031 MDT	Door handle-LH front-chromed flap-with lock barrel..... 1 aperture-driver -Meteoric.....	1		
5	JLM 12031 JHE	Door handle-LH front-chromed flap-with lock barrel..... 1 aperture-driver -Sapphire.....	1		
5	JLM 12031 NEE	Door handle-LH front-chromed flap-with lock barrel..... 1 aperture driver -Spindrift.....	1		
5	JLM 12031 SEC	Door handle-LH front-chromed flap-with lock barrel..... 1 aperture-driver -Topaz.....	1		

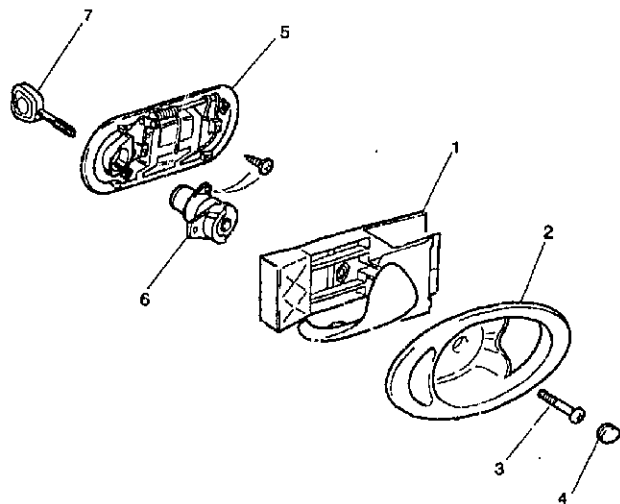


TX8598

CHANGE POINTS:
(1) From (V) 031303

DOOR HANDLE WITH REMOTE CONTROL

Illus	Part Number	Description	Quantity	Change Point	Remarks
	5 JLM 12038 HGF	Door handle-RH-painted flap-without lock barrel aperture-... 1 passenger-Alpine.....	1	(1)	
	5 JLM 12038 KDJ	Door handle-RH-painted flap-without lock barrel aperture-... 1 passenger-Amaranth.....	1		
	5 JLM 12038 PED	Door handle-RH-painted flap-without lock barrel aperture-... 1 passenger-Anthracite.....	1		
	5 JLM 12038 JHH	Door handle-RH-painted flap-without lock barrel aperture-... 1 passenger-Antigua.....	1		
	5 JLM 12038 JHF	Door handle-RH-painted flap-without lock barrel aperture-... 1 passenger-Aquamarine.....	1		
	5 JLM 12038 HGD	Door handle-RH-painted flap-without lock barrel aperture-... 1 passenger-British racing green.....	1		
	5 JLM 12038 CGG	Door handle-RH-painted flap-without lock barrel aperture-... 1 passenger-Carnival.....	1		
	5 JLM 12038 MDT	Door handle-RH-painted flap-without lock barrel aperture-... 1 passenger-Meteorite.....	1		
	5 JLM 12038 JHE	Door handle-RH-painted flap-without lock barrel aperture-... 1 passenger-Sapphire.....	1		
	5 JLM 12038 NEE	Door handle-RH-painted flap-without lock barrel aperture-... 1 passenger-Spindrift.....	1		
	5 JLM 12038 SEC	Door handle-RH-painted flap-without lock barrel aperture-... 1 passenger-Topaz.....	1		



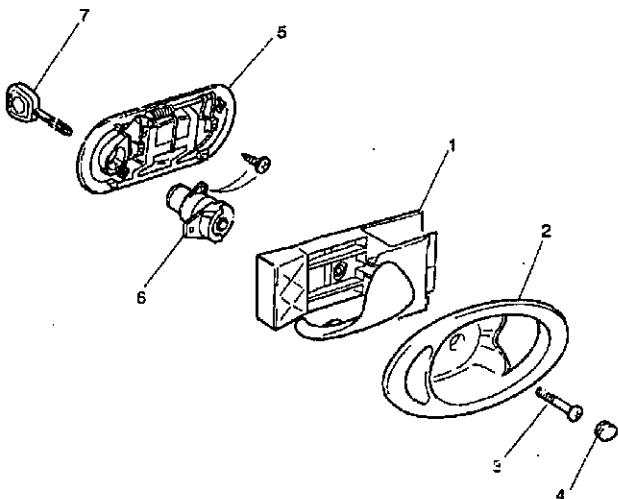
TX6388

CHANGE POINTS:
(1) From (V) 031303

MASTER INDEX	GROUP INDEX		
ENGINE..... 1 D			
ENGINE MANAGEMENT/EMISSION SYSTEMS..... 1 F	BONNET LATCHING MECHANISM AND 3. D 02	BONNET INSULATION AND SEALS..... 3. D 02	UNDER BONNET COVERS..... 3. D 03
AIR AND FUEL DELIVERY SYSTEMS 1 G	CONVERTIBLE HOOD AND SEALS 3. E 09	BONNET LOCK MECHANISM 3. D 04	
ENGINE COOLING SYSTEM..... 1 H	CONVERTIBLE REAR QUARTER MECHANISM..... 3. E 18	BONNET STAY GAS STRUTS..... 3. D 05	
EXHAUST SYSTEM AND COMPONENTS 1 I	DOOR GLASSES AND FRAMES 3. D 10	DOOR GLASS AND SEAL-CONVERTIBLE..... 3. D 11	
TRANSMISSION AND DRIVELINE 1 J	DOOR HANDLES AND LOCKS..... 3. D 13	DOOR GLASS AND SEAL-COUCPE 3. D 10	
STEERING AND SUSPENSION..... 1 K	DOOR HINGES 3. E 06	DOOR GLASS REGULATOR-FRONT 3. D 12	
BRAKING SYSTEM 1 M	DOOR SEALS 3. E 07	DOOR HANDLE WITH REMOTE CONTROL..... 3. D 14	
AIR CONDITIONING/HEATING/VENTILATION 1 N	ELECTRICAL SWITCHES 3. F 02	DOOR HINGE AND CHECK ARM..... 3. E 06	
WIPER AND WASHER SYSTEMS 1 O	TRUNK LATCHING MECHANISMS AND..... 3. D 06	DOOR LATCH 3. E 04	
ELECTRICAL DISTRIBUTION SYSTEM..... 2 C		DOOR SEAL-CONVERTIBLE..... 3. E 08	
INFORMATION SYSTEMS AND CONTROLS..... 2 E		DOOR SEAL-COUCPE..... 3. E 07	
BATTERY/STARTER MOTOR/ALTERNATOR..... 2 F		FILLER LATCH AND MECHANISM 3. E 05	
IN CAR ENTERTAINMENT..... 2 G		HOOD LIFT MECHANISM-CONVERTIBLE 3. E 16	
LIGHTING - EXTERIOR/INTERIOR 2 H		HOOD SEAL-CONVERTIBLE 3. E 14	
LOCKING/SECURITY SYSTEMS/HORNS..... 2 I		HOOD STOWAGE COVER-CONVERTIBLE 3. E 15	
SEATING..... 2 J		HOOD-CONVERTIBLE..... 3. E 09	
OCCUPANT RESTRAINTS..... 2 L		LOCK BARREL..... 3. D 13	
INTERIOR TRIM AND LININGS 2 M		QUARTER GLASS REGULATORS-REAR 3. E 18	
EXTERIOR FITTINGS AND SUNROOF..... 3 C		TRUNK LID GAS STRUT..... 3. D 09	
BODY CLOSURES AND SEALING 3 D		TRUNK LID MICROSWITCH 3. F 02	
BODY METAL PANELS AND SEALING..... 3 G		TRUNK LOCK AND LATCH..... 3. D 06	
ACCESSORIES/CONSUMABLES/INDEX 3 H		TRUNK SEAL-CONVERTIBLE 3. D 07	
		TRUNK SEAL-COUCPE..... 3. D 06	

DOOR HANDLE WITH REMOTE CONTROL

Illus	Part Number	Description	Quantity	Change Point	Remarks
	5 JLM 12035 HGF	Door handle-LH front-painted flap-with lock barrel 1 aperture-driver -Alpine.....	1	(1)	
	5 JLM 12035 KDJ	Door handle-LH front-painted flap-with lock barrel 1 aperture-driver -Amaranth	1		
	5 JLM 12035 PED	Door handle-LH front-painted flap-with lock barrel 1 aperture-driver -Anthracite.....	1		
	5 JLM 12035 JHH	Door handle-LH front-painted flap-with lock barrel 1 aperture-driver -Antigua.....	1		
	5 JLM 12035 JHF	Door handle-LH front-painted flap-with lock barrel 1 aperture-driver -Aquamarine	1		
	5 JLM 12035 HGD	Door handle-LH front-painted flap-with lock barrel 1 aperture-driver -British racing green.....	1		
	5 JLM 12035 CGG	Door handle-LH front-painted flap-with lock barrel 1 aperture-driver -Carnival.....	1		
	5 JLM 12035 MDT	Door handle-LH front-painted flap-with lock barrel 1 aperture-driver -Meteorite.....	1		
	5 JLM 12035 JHE	Door handle-LH front-painted flap-with lock barrel 1 aperture-driver -Sapphire	1		
	5 JLM 12035 NEE	Door handle-LH front-painted flap-with lock barrel 1 aperture-driver -Spindrift.....	1		
	5 JLM 12035 SEC	Door handle-LH front-painted flap-with lock barrel 1 aperture-driver -Topaz	1		

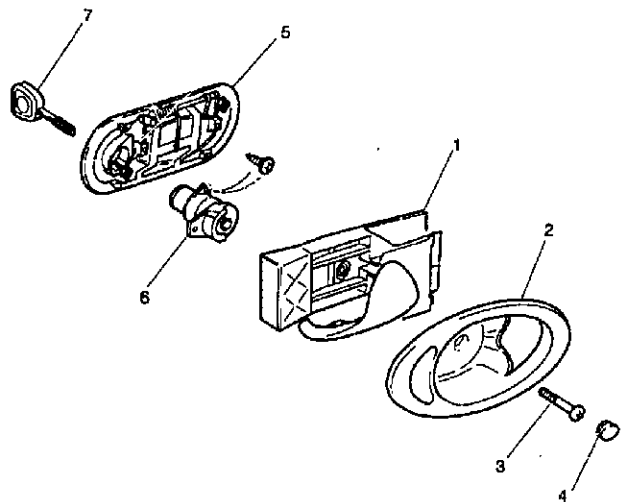


TX6598

CHANGE POINTS:
(1) From (V) 031303

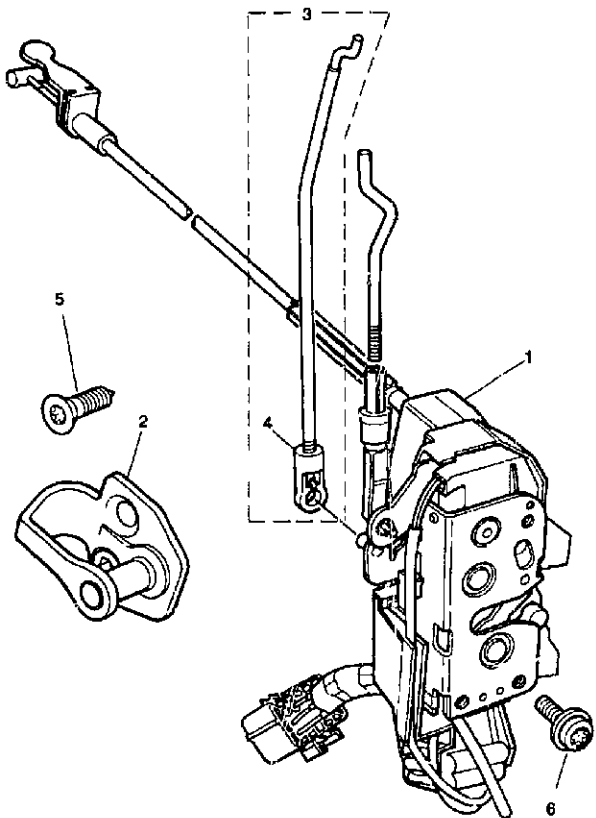
DOOR HANDLE WITH REMOTE CONTROL

Illus	Part Number	Description	Quantity	Change Point	Remarks
6	BCC 7849	Lock barrel-casing	1		
7	HNA 7230AA 1	Blank key -standard	2		
	HNA 7230AA 2	Cut key-standard	1		
7	HNA 7231AA 1	Blank key -service key	1		
	HNA 7231AA 2	Cut key-service key	1		



DOOR LATCH

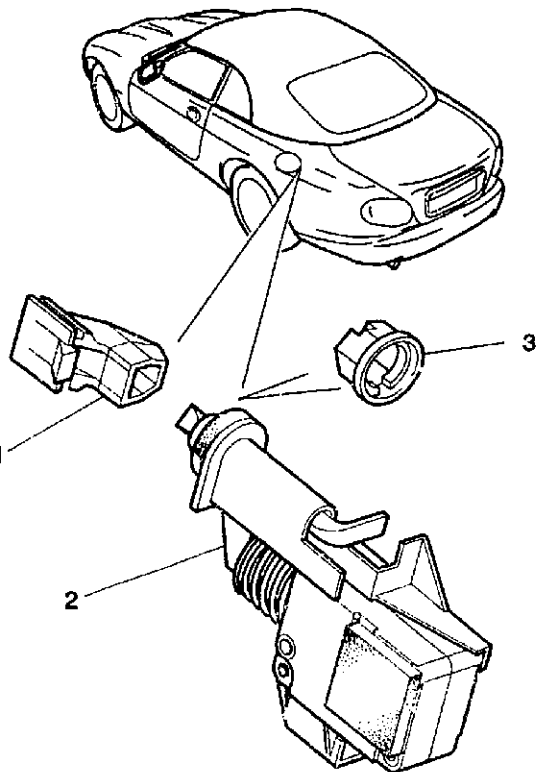
Illus	Part Number	Description	Quantity	Change Point	Remarks
1	GJA 1080FE	Door latch-assembly-front door -RH.....	1		
1	GJA 1081DG	Door latch-assembly-front door -LH.....	1		
2	GNA 1082AA	Striker	2		
2	GNA 1082AB	Striker	2		
3	GJA 1159AA	ACTUATOR LINK-FRONT-DOOR LOCK.....	2		
4	GNA 1122DA	Linkage clip	2		
5	JZS 100140	Countersunk screw-torx head-M8 x 25mm.....	4		
6	BD 489493	Pan head torx screw-M6	6		



1X6615

FILLER LATCH AND MECHANISM

Illus	Part Number	Description	Quantity	Change Point	Remarks
	1	Fuel filler release striker.....	1		
	2	Fuel filler lid latch	1	(1)	
	2	Fuel filler lid latch	1	(2)	
	3	Nut-fuel filler -latch to actuator	1	(1)	
	3	Nut-fuel filler -latch to actuator	1	(2)	

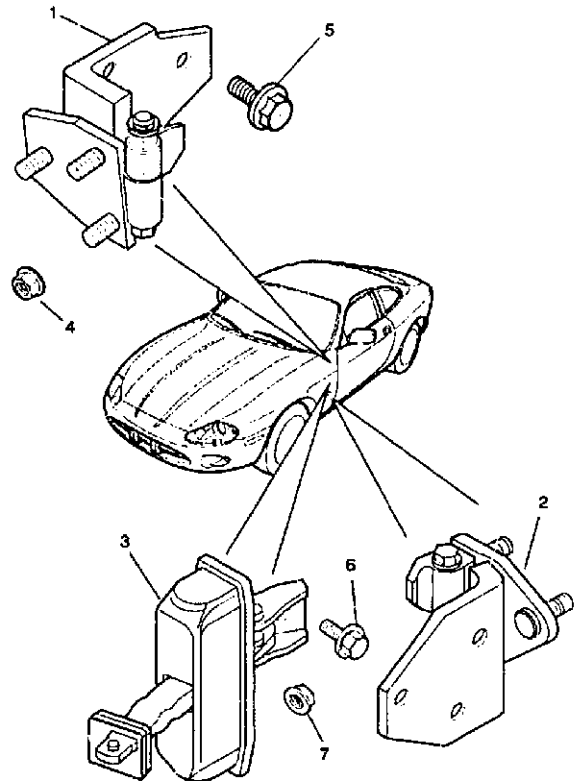


TX6277 CHANGE POINTS:

(1) To (V) 022180

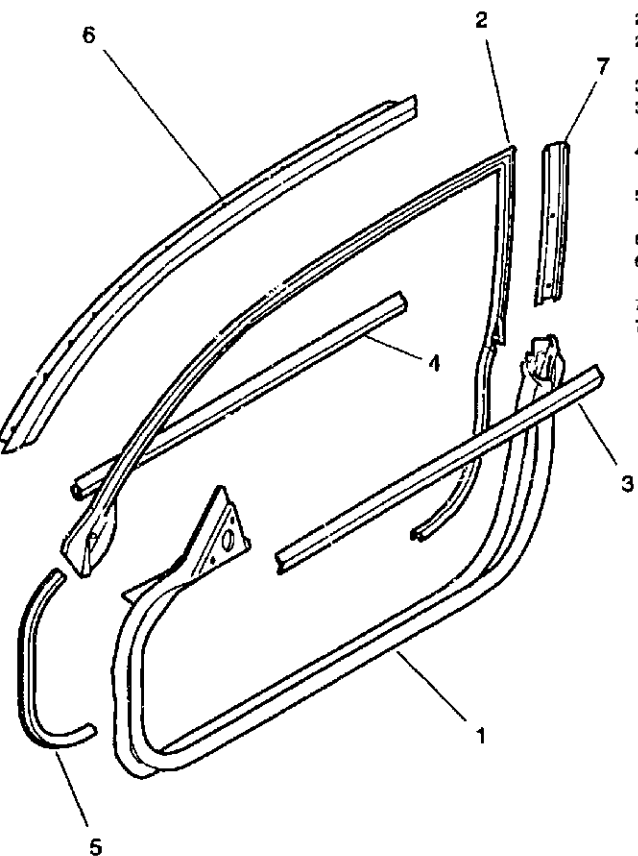
(2) From (V) 022181

Illus	Part Number	Description	Quantity	Change Point	Remarks
1	FJA 3042AC	Door hinge-RH upper.....	1		
1	FJA 3043AC	Door hinge-LH upper.....	1		
2	FJA 3044AA	Door hinge-RH lower.....	1		
2	FJA 3045AA	Door hinge-LH lower.....	1		
3	GJA 1982AE	Door checkarm-front.....	2		
4	FN 108041J	Flanged nut -M8.....	12		
5	JFT 10825B	Flanged head screw-M8 x 25mm-hinge to body.....	12		
6	FS 108201	Setcrew-M8.....	2		
7	FN 105041	Nut-M5.....	4		



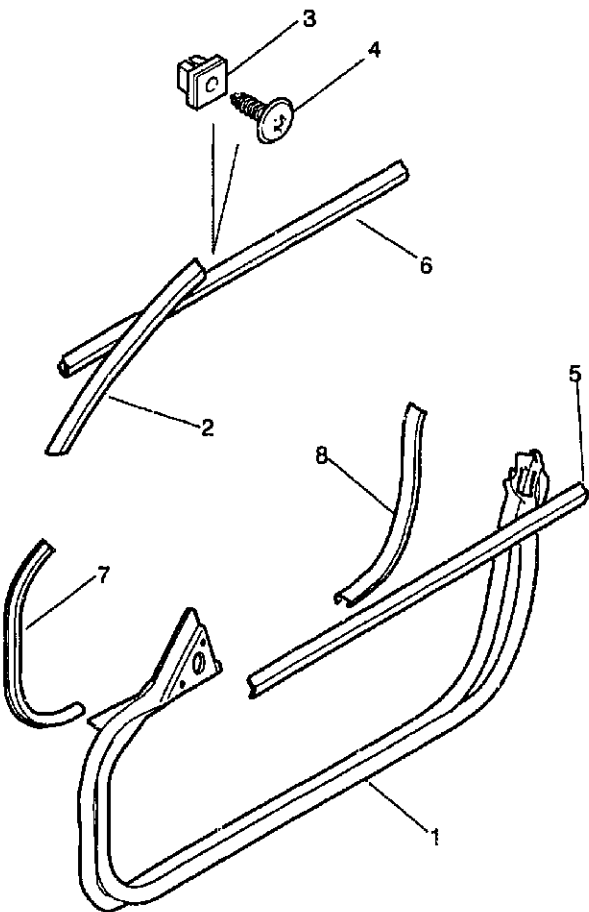
TW6210a

Qty	Part Number	Description	Quantity	Change Point	Remarks
1	HJA 5382AB	Door/cheater seal-RH.....	1		
1	HJA 5383AB	Door/cheater seal-LH.....	1		
2	HJA 5384AF	Door aperature edge finisher-RH door.....	1		
2	HJA 5385AF	Door aperature edge finisher-LH door.....	1		
3	GJA 1710AF	Waist seal-RH outer.....	1		
3	GJA 1711AF	Waist seal-LH outer.....	1		
4	GJA 1716AB	Door waist seal-inner.....	2		
5	HJA 1850AD	Flange finisher-A-post.....	2		
6	HJA 5340BE	Drip moulding-seal carrier-RH.....	1		
6	HJA 5341BE	Drip moulding-seal carrier-LH.....	1		
7	HJA 5342BA	Seal carrier-RH B-post.....	1		
7	HJA 5343BA	Seal carrier-LH B-post.....	1		



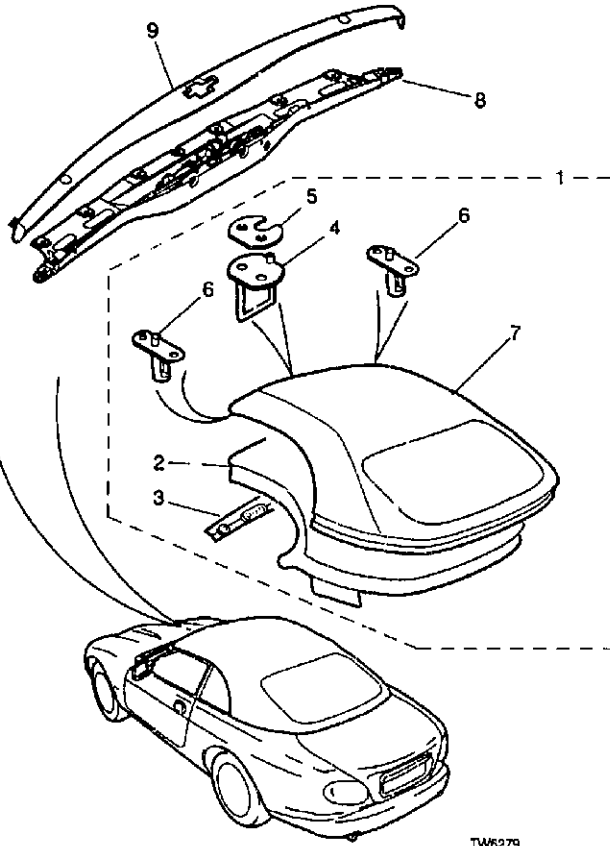
DOOR SEAL-CONVERTIBLE

Illus	Part Number	Description	Quantity	Change Point	Remarks
1	HJA F362BB	Door/cheater seal-RH.....	1		
1	HJA 5363PB	Door/cheater seal-LH.....	1		
2	HJA 7708AC	Seal retainer-RH A-post.....	1		
2	HJA 7709AC	Seal retainer-LH A-post.....	1		
3	BEC 17370	Lokut nut.....	10		
4	JDA 60804E	Self tapping screw.....	10		
5	GJA 1710AF	Waist seal-RH outer.....	1		
5	GJA 1711AF	Waist seal-LH outer.....	1		
6	GJA 1718AB	Door waist seal-inner.....	2		
7	HJA 1650AD	Flange finisher-A-post.....	2		
8	HJA 1651AD	Flange finisher-B-post.....	2		



HOOD-CONVERTIBLE

Illus	Part Number	Description	Quantity	Change Point	Remarks
	1 JLM 20349 AEL	HOOD-ASSEMBLY-STONE-WITH OATMEAL HEADLINING.....	1] (1)	
	1 JLM 20349 ANR	HOOD-ASSEMBLY-BEIGE -WITH OATMEAL HEADLINING.....	1		
	1 JLM 20349 HFV	HOOD-ASSEMBLY-GREEN-WITH OATMEAL HEADLINING.....	1		
	1 JLM 20349 JFF	HOOD-ASSEMBLY-BLUE-WITH OATMEAL HEADLINING.....	1		
	1 JLM 20349 PDM	HOOD-ASSEMBLY-BLACK-WITH OATMEAL HEADLINING.....	1		
	2 HJA 7808AA AGD	• HEADLINING-OATMEAL.....	1		
	HJA 7876FA	• • Guide piece-headlining to rear quarter casing.....	2		
	3 HJA 8170AD	• Clamping plate-hood.....	1		
	4 HJA 8210BB	• Hood latch striker.....	1		
	5 HJB 8213CA	• Spacer.....	1		
	6 HJA 8211BB	• Guiding pin.....	2		
	17 HJA 7732BB AEL	• Hood cover-outer-Stone.....	1	 Part of JLM20349AEL
	17 HJA 7732BB ANR	• Hood cover-outer-Beige.....	1	 Part of JLM20349ANR
	17 HJA 7732BB HFV	• Hood cover-outer-Green.....	1	 Part of JLM20349HFV
	17 HJA 7732BB JFF	• Hood cover-outer-Blue.....	1	 Part of JLM20349JFF
	17 HJA 7732BB PDM	• Hood cover-outer-Black.....	1	 Part of JLM20349PDM

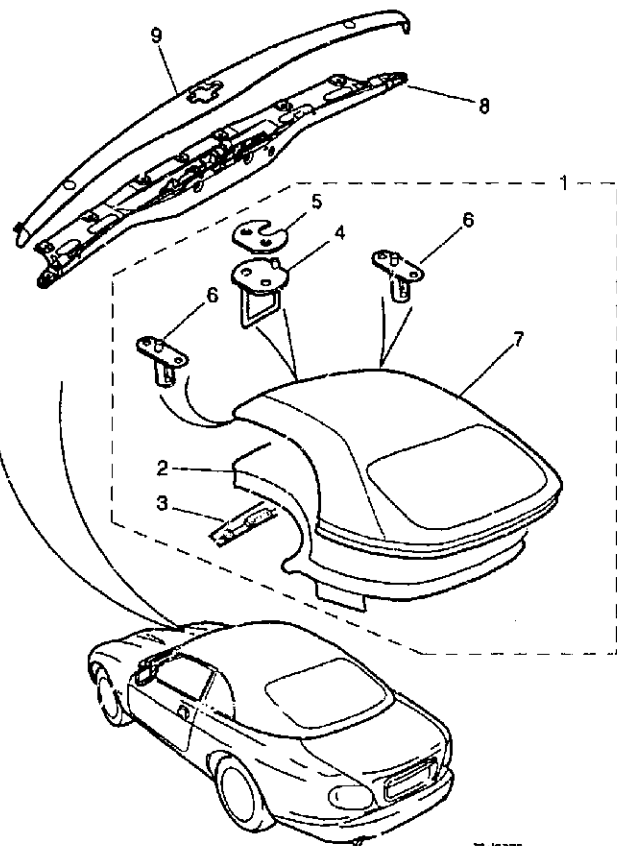


TW6279

CHANGE POINTS:
(1) To (V) 018107

HOOD-CONVERTIBLE

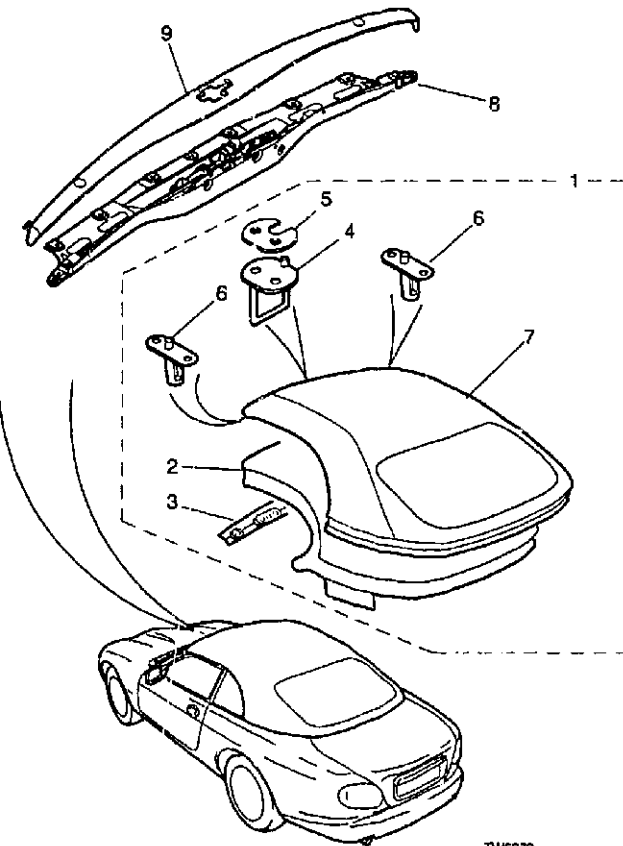
Illus	Part Number	Description	Quantity	Change Point	Remarks
	1 JLM 20350 AEL	HOOD-ASSEMBLY-STONE-WITH NIMBUS GREY 1	1	(1)	
	1 JLM 20350 ANR	HOOD-ASSEMBLY-BEIGE -WITH NIMBUS GREY 1			
	1 JLM 20350 HFV	HOOD-ASSEMBLY-GREEN-WITH NIMBUS GREY 1			
	1 JLM 20350 JFF	HOOD-ASSEMBLY-BLUE-WITH NIMBUS GREY 1			
	1 JLM 20350 PDM	HOOD-ASSEMBLY-BLACK-WITH NIMBUS GREY 1			
	2 HJA 7808AA LFJ	• HEADLINING-NIMBUS GREY 1	1		
	HJA 7876FA	• • Guide piece-headlining to rear quarter casing 2	2		
	3 HJA 8170AD	• Clamping plate-hood 1	1		
	4 HJA 8210BB	• Hood latch striker 1	1		
	5 HJB 8213CA	• Spacer 1	1		
	6 HJA 8211BB	• Guiding pin 2	2		
	7 HJA 7732BB AEL	• Hood cover-outer-Stone 1	1	 Part of JLM20350AEL
	7 HJA 7732BB ANR	• Hood cover-outer-Beige 1	1	 Part of JLM20350ANR
	7 HJA 7732BB HFV	• Hood cover-outer-Green 1	1	 Part of JLM20350HFV
	7 HJA 7732BB JFF	• Hood cover-outer-Blue 1	1	 Part of JLM20350JFF
	7 HJA 7732BB PDM	• Hood cover-outer-Black 1	1	 Part of JLM20350PDM



T1V6279

HOOD-CONVERTIBLE

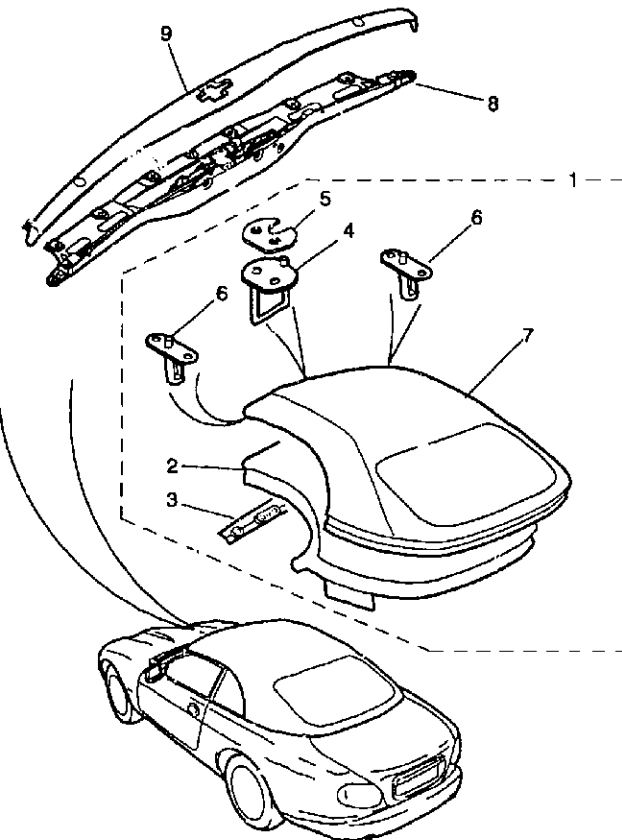
Illus	Part Number	Description	Quantity	Change Point	Remarks
	1 JLM 20787 AEL	HOOD-ASSEMBLY-STONE-WITH OATMEAL HEADLINING.....	1	(1)	
	1 JLM 20787 AEV	HOOD-ASSEMBLY-DARK BEIGE-WITH OATMEAL HEADLINING.....	1		
	1 JLM 20787 HFV	HOOD-ASSEMBLY-GREEN-WITH OATMEAL HEADLINING.....	1		
	1 JLM 20787 JFF	HOOD-ASSEMBLY-BLUE-WITH OATMEAL HEADLINING...1	1		
	1 JLM 20787 FDM	HOOD-ASSEMBLY-BLACK-WITH OATMEAL HEADLINING.....	1		
	2 HJA 7808AA AGD	• HEADLINING-OATMEAL.....	1		
	HJA 7878FA	• Guide piece-headlining to rear quarter casing.....	2		
	3 HJB 8170AA	• Clamping plate-hood.....	1		
	4 HJA 8210BB	• Hood latch striker.....	1		
	5 HJB 8213CA	• Spacer.....	1		
	6 HJA 8711BB	• Guiding pin.....	2		
	7 HJB 7732AA AEI	• Hood cover-outer-Stone.....	1	 Part of JLM20787AEL.
	7 HJB 7732AA AEV	• Hood cover-outer-Dark beige.....	1	 Part of JLM20787AEV.
	7 HJB 7732AA HFV	• Hood cover-outer-Green.....	1	 Part of JLM20787HFV.
	7 HJB 7732AA JFF	• Hood cover-outer-Blue.....	1	 Part of JLM20787JFF.
	7 HJB 7732AA PDM	• Hood cover-outer-Black.....	1	 Part of JLM20787PDM.



TW6279

HOOD-CONVERTIBLE

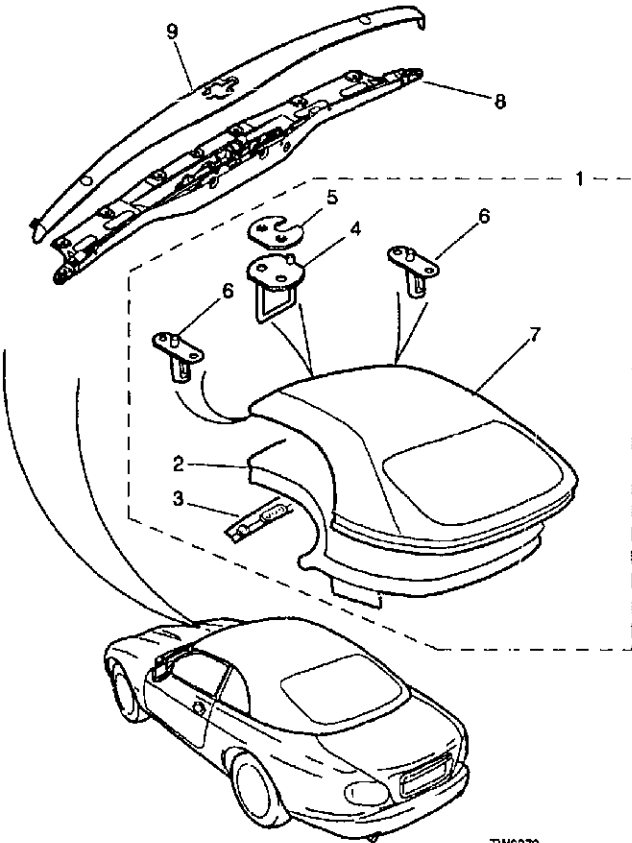
Illus	Part Number	Description	Quantity	Change Point	Remarks
	1 JLM 20788 AEL	HOOD-ASSEMBLY-STONE-WITH NIMBUS GREY 1	1	(1)	
		HEADLINING 1			
	1 JLM 20788 AEV	HOOD-ASSEMBLY-DARK BEIGE-WITH NIMBUS GREY 1			
		HEADLINING 1			
	1 JLM 20788 HFV	HOOD-ASSEMBLY-GREEN-WITH NIMBUS GREY 1			
		HEADLINING 1			
	1 JLM 20788 JFF	HOOD-ASSEMBLY-BLUE-WITH NIMBUS GREY 1			
		HEADLINING 1			
	1 JLM 20788 PDM	HOOD-ASSEMBLY-BLACK-WITH NIMBUS GREY 1			
		HEADLINING 1			
	2 HJA 7808AALFJ	• HEADLINING-NIMBUS GREY 1	1		
	HJA 7876FA	• • Guide piece-headlining to rear quarter casing 2	2		
	3 HJB 8170AA	• Clamping plate-hood 1	1		
	4 HJA 8210BB	• Hood latch striker 1	1		
	5 HJB 8213CA	• Spacer 1	1		
	6 HJA 8211BB	• Guiding pin 2	2		
	7 HJB 7732AA AEL	• Hood cover-outer-Stone 1	1	 Part of JLM20788AEL
	7 HJB 7732AA AEV	• Hood cover-outer-Dark beige 1	1	 Part of JLM20788AEV
	7 HJB 7732AA HFV	• Hood cover-outer-Green 1	1	 Part of JLM20788HFV
	7 HJB 7732AA JFF	• Hood cover-outer-Blue 1	1	 Part of JLM20788JFF
	7 HJB 7732AA PDM	• Hood cover-outer-Black 1	1	 Part of JLM20788PDM



TW6279

HOOD-CONVERTIBLE

Illus	Part Number	Description	Quantity	Change Point	Remarks
8	HJA 8226EC	Hood latch plate-assembly	1	(1)	
8	HJB 8226AA	Hood latch plate-assembly	1	(6)	
9	HJA 7727BE	Finisher-front header	1	(2)	
9	HJA 7727BG	Finisher-front header	1	(3)	
	JXR 10616F	Paint clearing screw	6		
	JDA 60603K	Self tapping screw	4		
	SE 106121 J	Recessed pan head screw	6	(4)	
	JXR 10620B	Paint clearing screw-flanged head-torx drive	6	(5)	
	KZR 10001B	Insert	2		
	AJU 1138	Stud retainer-fir tree	2		



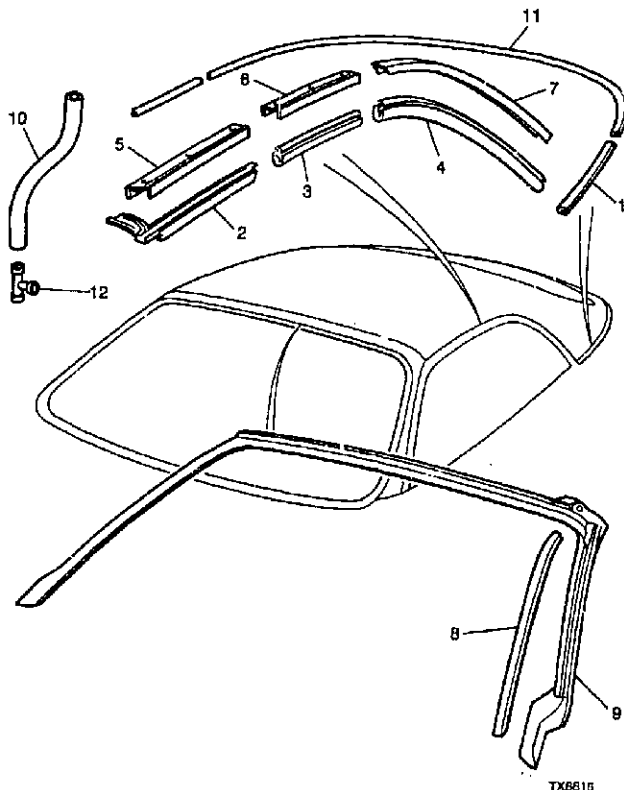
TW6279

CHANGE POINTS:

- (1) To (V) 024686
- (2) To (V) 011773
- (3) From (V) 011774
- (4) To (V) 014340
- (5) From (V) 014341
- (6) From (V) 024587

HOOD SEAL-CONVERTIBLE

Qty	Part Number	Description	Quantity	Change Point	Remarks
1	HJA 8138AB	Hood frame seal	2		
2	HJA 7778BC	Hood frame seal-RH front.....	1		
2	HJA 7779BC	Hood frame seal-LH front	1		
5	HJA 7780BC	Hood frame seal-RH rear.....	1		
3	HJA 7781BC	Hood frame seal-LH rear	1		
4	HJA 7782BC	Hood frame seal-RH.....	1		
4	HJA 7783BC	Hood frame seal-LH.....	1		
5	HJA 7738AA	Seal retainer-RH front.....	1		
5	HJA 7737AA	Seal retainer-LH front	1		
6	HJA 7738AA	Seal retainer-RH rear.....	1		
6	HJA 7739AA	Seal retainer-LH rear.....	1		
7	HJA 7740AA	Seal retainer-RH.....	1		
7	HJA 7741AA	Seal retainer-LH.....	1		
8	HJA 7708AC	Seal retainer-RH A-post.....	1		
8	HJA 7709AC	Seal retainer-LH A-post.....	1		
9	HJA 7715BE	Header seal	1		
10	HJA 8129AB	Drain tube-hood.....	2		(1)
10	HJA 8129AD	Drain tube-hood.....	2		(2)
11	HJA 7718AA	Trunk lid seal.....	1		



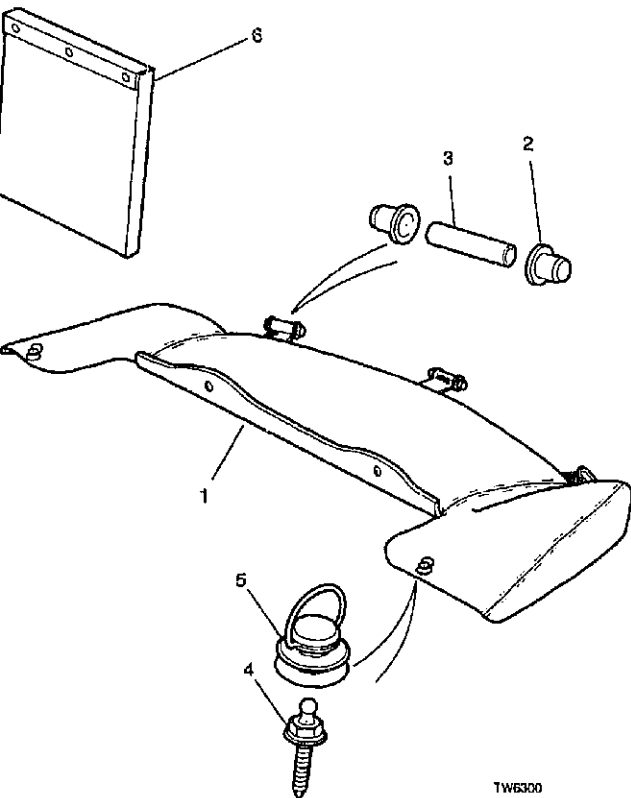
CHANGE POINTS:

(1) To (V) 002675

(2) From (V) 002676 To (V) 031302

HOOD STOWAGE COVER-CONVERTIBLE

Illus	Part Number	Description	Quantity	Change Point	Remarks
	1 HJA 7712CB HDX	Stowage cover-hood-Teal	1] (1)	
	1 HJA 7712CB AGD	Stowage cover-hood-Oatmeal	NLA		Use HJB 7712AA AGD.
	1 HJA 7712CB LEG	Stowage cover-hood-Warm charcoal	NLA		Use HJB 7712AA LEG.
	1 HJA 7712CB NDR	Stowage cover-hood-Cream	NLA		Use HJB 7712AA NDR.
	1 HJA 7712CB SDC	Stowage cover-hood-Coffee	NLA		Use HJB 7712AA SDC.
	1 HJB 7712AA HDX	Stowage cover-hood-Teal	1] (2)	
	1 HJB 7712AA AGD	Stowage cover-hood-Oatmeal	1		
	1 HJB 7712AA LEG	Stowage cover-hood-Warm charcoal	1] (3)	
	1 HJB 7712AA NDR	Stowage cover-hood-Cream	1		
	1 HJB 7712AA SDC	Stowage cover-hood-Coffee	1] (4)	
	1 HJB 7712AA SDZ	Stowage cover-hood-Cashmere	1		
	1 HJB 7712AA NED	Stowage cover-hood-Ivory	1		
	2 CBC 7363	Rubber plug	8		
	3 HJA 7845DA	Plastic tube	3		
	KZW 100010	Washer	2		
	4 JZY 100012	Screw	2		
	5 JZY 100013	Female fastener-hood cover	2		
	6 HJA 8131AB	Stowage bag	1	(5)	
	6 HJB 8131AA	Stowage bag	1	(6)	



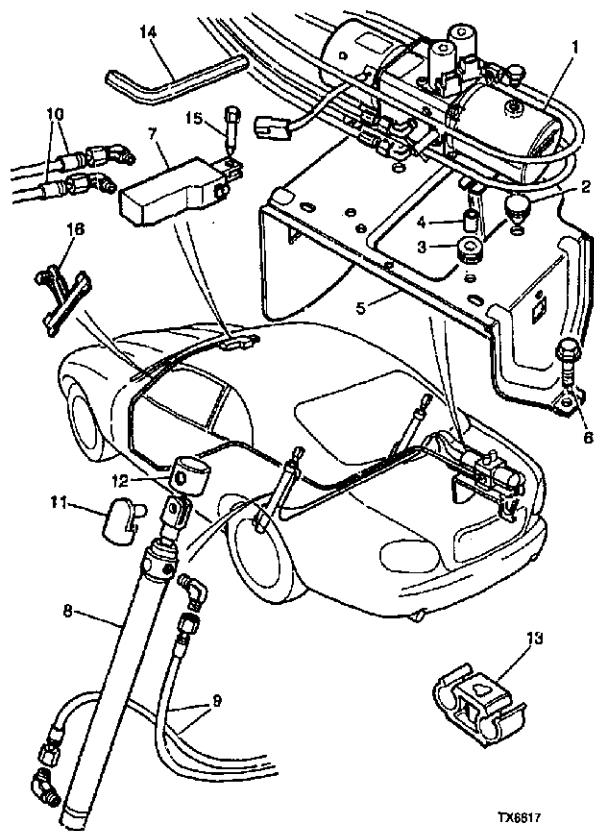
TW6300

CHANGE POINTS:

- (1) To (V) 011096
- (2) From (V) 011097
- (3) From (V) 011097 To (V) 018107
- (4) From (V) 018108
- (5) To (V) 031302
- (6) From (V) 031303

HOOD LIFT MECHANISM-CONVERTIBLE

Illus	Part Number	Description	Quantity	Change Point	Remarks
1	HJA 8241AC	HOOD LIFT PUMP-ASSEMBLY	1		(1)
1	HJB 8241AA	HOOD LIFT PUMP-ASSEMBLY	1		(2)
2	BCC 2824	• Rubber damper.....	2		
	HJA 8257AA	• Reservoir kit	1		
3	HJA 8212AA	• Grommet-hood pump	2		
4	HJB 8213CA	• Spacer	2		
5	HJA 8205BD	Hood pump bracket.....	1		
6	JZH 100026	Screw/washer	2		
7	HJA 8243AA	Hood latch cylinder.....	1		(1)
7	HJA 8243AB	Hood latch cylinder.....	1		(2)
8	HJA 8254CB	Hood lift cylinder-RH.....	1		(1)
8	HJA 8255CB	Hood lift cylinder-LH.....	1		
8	HJB 8254AA	Hood lift cylinder-RH.....	1		(2)
8	HJB 8255AA	Hood lift cylinder-LH.....	1		
9	HJA 8252AA	Hose-hood cylinder-RH.....	1		(1)
9	HJA 8253AA	Hose-hood cylinder-LH.....	1		
9	HJB 8252AA	Hose-hood cylinder-RH.....	1		(2)
9	HJB 8253AA	Hose-hood cylinder-LH.....	1		
10	HJA 8256AA	Hose-powerlatch.....	2		(1)
10	HJB 8256AA	Hose-powerlatch.....	1		(2)
11	JZY 100009	Clevis pin.....	2		
12	HJA 8203AA	End cap.....	2		
13	KDG 604044	Pipe clip.....	13		
14	HJA 8227AA	Manual override key.....	1		
15	HJA 8202AB	Clevis pin-hood frame.....	2		
16	KZC 100026	Special harness clip.....	4		



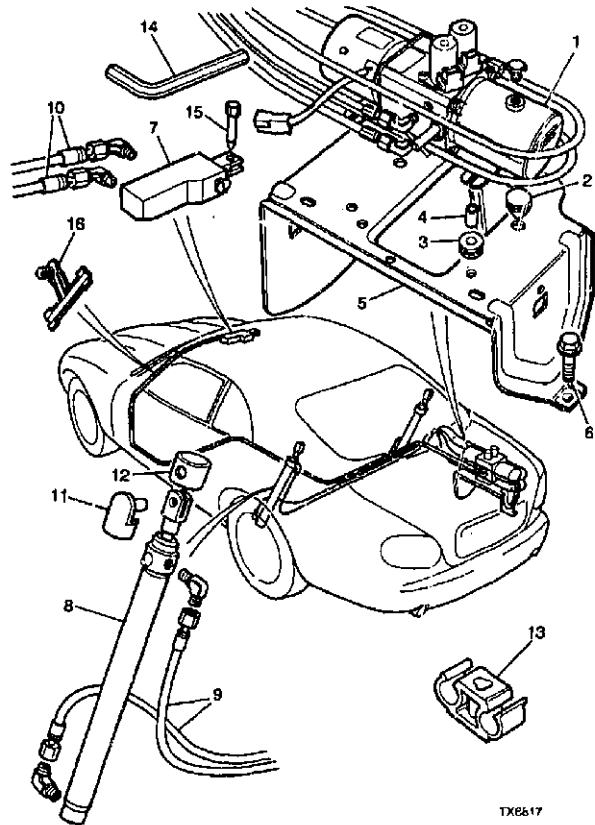
TX6817

CHANGE POINTS:

- (1) To (V) 031317
- (2) From (V) 031318

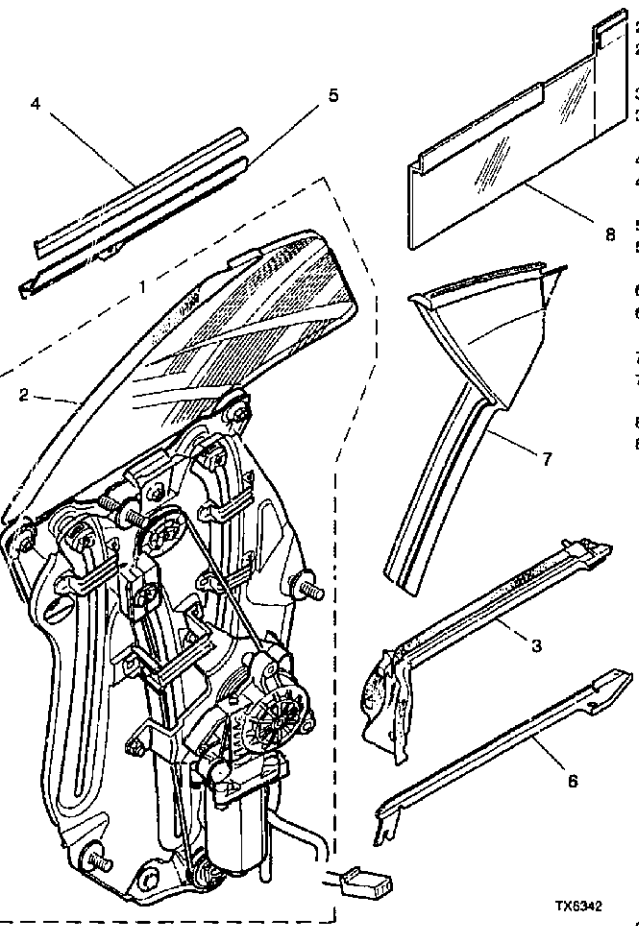
HOOD LIFT MECHANISM-CONVERTIBLE

Illus	Part Number	Description	Quantity	Change Point	Remarks
	SE 105084	Screw.....	14		
	BCC 2826	T-piece tube.....	2		
	BCC 2830	Elbow.....	2		
	JZY 100018	Spring pin-hood frame.....	2		



TX6617

QUARTER GLASS REGULATORS-REAR-CONVERTIBLE



Illus	Part Number	Description:	Quantity	Change Point	Remarks
1	GJA 2242AJ	Window regulator and motor-RH rear quarter	1		
1	GJA 2243AJ	Window regulator and motor-LH rear quarter	1		
2	GJA 2248BC	Quarter glass seal -RH rear	1		
2	GJA 2249BC	Quarter glass seal -LH rear	1		
3	HJA 5748CC	Waist seal-inner-RH rear quarter	1		
3	HJA 5749CC	Waist seal-inner-LH rear quarter	1		
4	HJA 5754CC	Waist seal-outer-RH rear quarter	1		
4	HJA 5755CC	Waist seal-outer-LH rear quarter	1		
5	HJA 5758AB	Seal carrier-outer-RH rear quarter	1		
5	HJA 5759AB	Seal carrier-outer-LH rear quarter	1		
6	HJA 5762AB	Seal carrier-inner-RH rear quarter	1		
6	HJA 5763AB	Seal carrier-inner-LH rear quarter	1		
7	HJA 8136AA	Water duct-RH rear quarter	1] (1)	
7	HJA 8137AA	Water duct-LH rear quarter	1		
8	HJA 8136BA	Water duct-RH rear quarter	1] (2)	
8	HJA 8137BA	Water duct-LH rear quarter	1		
	JXA 10616E	Pan head torx screw	6		
	JFN 108047	Flange nut-M6	2		
	JZH 100038	Nut and washer	4		

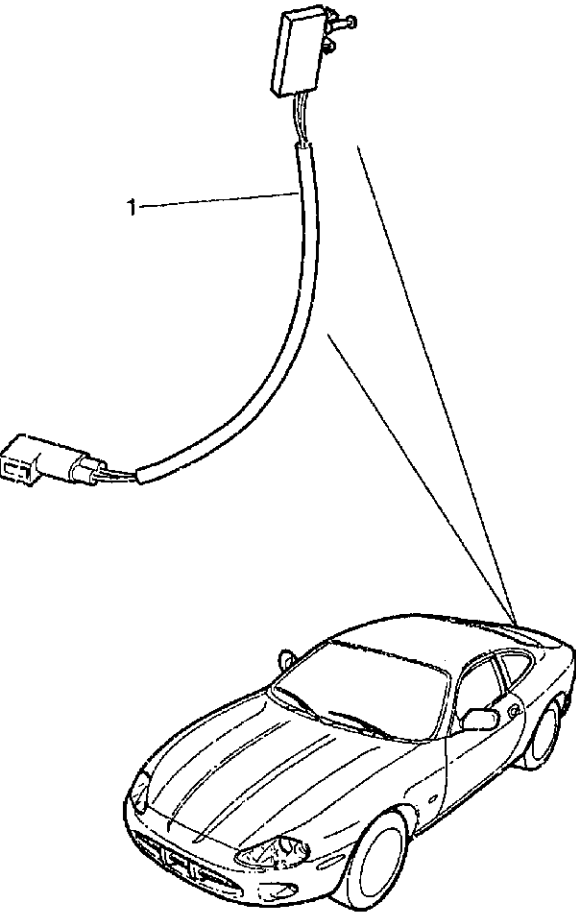
TX6342

CHANGE POINTS:
(1) To (V) 001149
(2) From (V) 001150 To (V) 027935

MASTER INDEX	GROUP INDEX		
ENGINE 1 D			
ENGINE MANAGEMENT/EMISSION SYSTEMS 1 F	BONNET LATCHING MECHANISM AND 3. D 02	BONNET INSULATION AND SEALS 3. D 02	UNDER BONNET COVERS 3. D 02
AIR AND FUEL DELIVERY SYSTEMS 1 G	CONVERTIBLE HOOD AND SEALS 3. E 09	BONNET LOCK MECHANISM 3. D 04	
ENGINE COOLING SYSTEM 1 H	CONVERTIBLE REAR QUARTER MECHANISM 3. E 13	BONNET STAY GAS STRUTS 3. D 05	
EXHAUST SYSTEM AND COMPONENTS 1 I	DOOR GLASSES AND FRAMES 3. D 10	DOOR GLASS AND SEAL-CONVERTIBLE 3. D 11	
TRANSMISSION AND DRIVELINE 1 J	DOOR HANDLES AND LOCKS 3. D 13	DOOR GLASS AND SEAL-COUPÉ 3. D 10	
STEERING AND SUSPENSION 1 K	DOOR HINGES 3. E 06	DOOR GLASS REGULATOR-FRONT 3. D 12	
BRAKING SYSTEM 1 M	DOOR SEALS 3. E 07	DOOR HANDLE WITH REMOTE CONTROL 3. D 14	
AIR CONDITIONING/HEATING/VENTILATION 1 N	ELECTRICAL SWITCHES 3. F 02	DOOR HINGE AND CHECK ARM 3. E 08	
WIPER AND WASHER SYSTEMS 1 O	TRUNK LATCHING MECHANISMS AND 3. D 08	DOOR LATCH 3. E 04	
ELECTRICAL DISTRIBUTION SYSTEM 2 C		DOOR SEAL-CONVERTIBLE 3. E 08	
INFORMATION SYSTEMS AND CONTROLS 2 E		DOOR SEAL-COUPÉ 3. E 07	
BATTERY/STARTER MOTOR/ALTERNATOR 2 F		FILLER LATCH AND MECHANISM 3. E 05	
IN CAR ENTERTAINMENT 2 G		HOOD LIFT MECHANISM-CONVERTIBLE 3. E 16	
LIGHTING - EXTERIOR/INTERIOR 2 H		HOOD SEAL-CONVERTIBLE 3. E 14	
LOCKING/SECURITY SYSTEMS/HORNS 2 I		HOOD STOWAGE COVER-CONVERTIBLE 3. E 15	
SEATING 2 J		HOOD-CONVERTIBLE 3. E 09	
OCCUPANT RESTRAINTS 2 L		LOCK BARREL 3. D 11	
INTERIOR TRIM AND LININGS 2 M		QUARTER GLASS REGULATORS-REAR 3. E 18	
EXTERIOR FITTINGS AND SUNROOF 3 C		TRUNK LID GAS STRUT 3. D 09	
BODY CLOSURES AND SEALING 3 D		TRUNK LID MICROSWITCH 3. F 02	
BODY METAL PANELS AND SEALING 3 G		TRUNK LOCK AND LATCH 3. D 08	
ACCESSORIES/CONSUMABLES/INDEX 3 H		TRUNK SEAL-CONVERTIBLE 3. D 07	
		TRUNK SEAL-COUPÉ 3. D 06	

TRUNK LID MICROSWITCH

Illus	Part Number	Description	Quantity	Change Point	Remarks
	1 LNA 3242AC	Microswitch-trunk lid open warning.....	1	(1)	
	1 LNC 6242AA	Microswitch-trunk lid open warning.....	1	(2)	
	1 LNC 6242AB	Microswitch-trunk lid open warning.....	1	(3)	

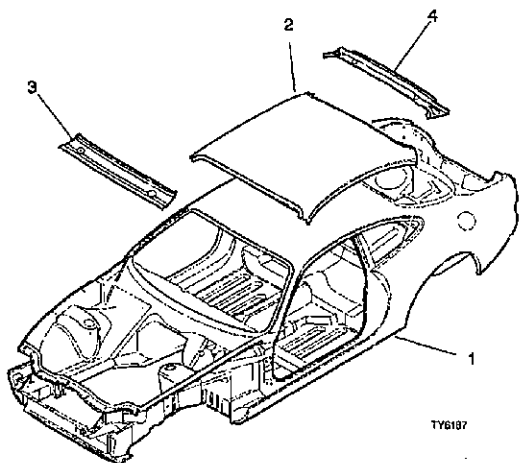


CHANGE POINTS:

- (1) To (V) 018107
- (2) From (V) 018108 To (V) 031302
- (3) From (V) 031303

MASTER INDEX	GROUP INDEX	
ENGINE..... 1 D		
ENGINE MANAGEMENT/EMISSION SYSTEMS..... 1 F	BOLTED BODY PANELS..... 3. G 17	A-POST AND WHEELBOX..... 3. G 12
AIR AND FUEL DELIVERY SYSTEMS..... 1 G	FIXED BODY PANELS..... 3. G 02	BODY SIDE PANEL-CONVERTIBLE..... 3. G 10
ENGINE COOLING SYSTEM..... 1 H		BODY SIDE PANEL-COUPE..... 3. G 09
EXHAUST SYSTEM AND COMPONENTS..... 1 I		BODYSHELL BRACE-FACIA TO TUNNEL..... 3. G 08
TRANSMISSION AND DRIVELINE..... 1 J		BODYSHELL BRACING STRUT..... 3. G 05
STEERING AND SUSPENSION..... 1 K		BODYSHELL REAR END PANEL..... 3. G 13
BRAKING SYSTEM..... 1 M		BODYSHELL-CONVERTIBLE..... 3. G 03
AIR CONDITIONING/HEATING/VENTILATION..... 1 N		BODYSHELL-COUPE..... 3. G 02
WIPER AND WASHER SYSTEMS..... 1 O		BONNET, WING, DOOR AND TRUNK LID..... 3. G 17
ELECTRICAL DISTRIBUTION SYSTEM..... 2 C		FRONT CROSSMEMBER/LONGITUDINAL..... 3. G 07
INFORMATION SYSTEMS AND CONTROLS..... 2 E		FRONT VALANCE AND REAR LONGITUDINAL..... 3. G 08
BATTERY/STARTER MOTOR/ALTERNATOR..... 2 F		HEADER PANEL AND REAR DECKING..... 3. G 14
IN CAR ENTERTAINMENT..... 2 G		SIDE TUBES AND REINFORCEMENTS..... 3. G 11
LIGHTING - EXTERIOR/INTERIOR..... 2 H		STRUT-FRONT CROSSMEMBER..... 3. G 04
LOCKING/SECURITY SYSTEMS/HORNS..... 2 I		STRUT-REAR CROSSMEMBER..... 3. G 15
SEATING..... 2 J		TRUNK STIFFENER/FUEL TANK CLAMP..... 3. G 16
OCCUPANT RESTRAINTS..... 2 L		
INTERIOR TRIM AND LININGS..... 2 M		
EXTERIOR FITTINGS AND SUNROOF..... 3 C		
BODY CLOSURES AND SEALING..... 3 D		
BODY METAL PANELS AND SEALING..... 3 G		
ACCESSORIES/CONSUMABLES/INDEX..... 3 H		

Illus	Part Number	Description	Quantity	Change Point	Remarks
1	FJA 3100AE 01	Bodyshell -less doors-primed/sealed.....	1	(1)	
1	FJB 3100AA 01	Bodyshell -less doors-primed/sealed.....	1	(2)	
2	FJA 1102AB	Roof panel.....	1		
3	FJA 1104AA	Header panel.....	1		
4	FJA 1105AD	Header panel-rear header.....	1		
	BAC 4319	Metsi sealing plug -25mm diameter.....	16		
	SH 106181	Set screw-M3 x 16mm.....	12		



TY6187

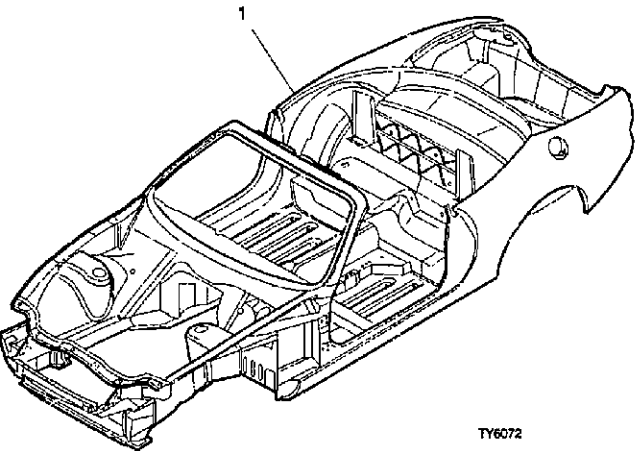
CHANGE POINTS:

(1) To (V) 024686

(2) From (V) 024687

BODYSHELL-CONVERTIBLE

Illus	Part Number	Description	Quantity	Change Point	Remarks
1	FJA 3100BD 01	Bodyshell -less doors-primed/sealed.....	1	(1)	
1	FJA 3100BE 01	Bodyshell -less doors-primed/sealed.....	1	(2)	
1	FJB 3100BA 01	Bodyshell -less doors-primed/sealed.....	1	(3)	
	BAC 4319	Metal sealing plug -25mm diameter.....	16		
	SH 108161	Setscrew-M8 x 16mm.....	8		



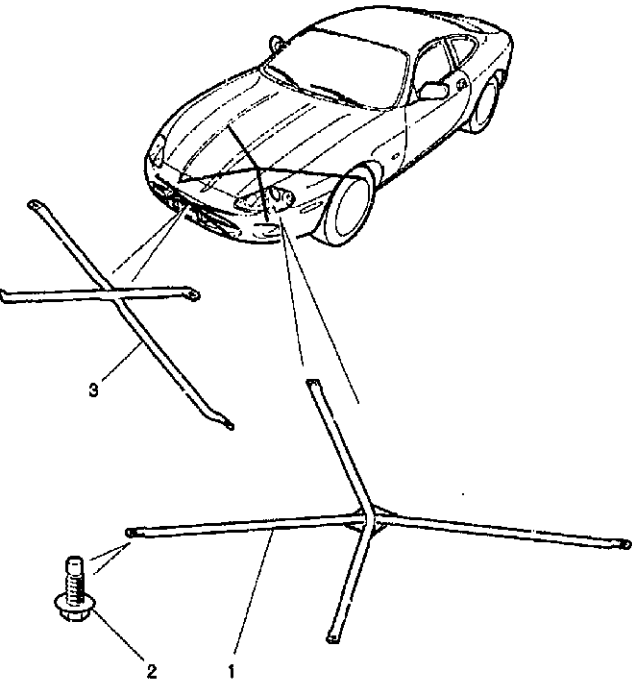
TY6072

CHANGE POINTS:

- (1) To (V) 001894
- (2) From (V) 001895 To (V) 024686
- (3) From (V) 024687

STRUT-FRONT CROSSMEMBER-CONVERTIBLE

Illus	Part Number	Description	Quantity	Change Point	Remarks
1	FJA 4616BC	Crossbrace-front	1		
2	JZS 100099	Screw-M12.....	8	(1)	
3	FJA 3106BA	Crossbrace-front panel	1		

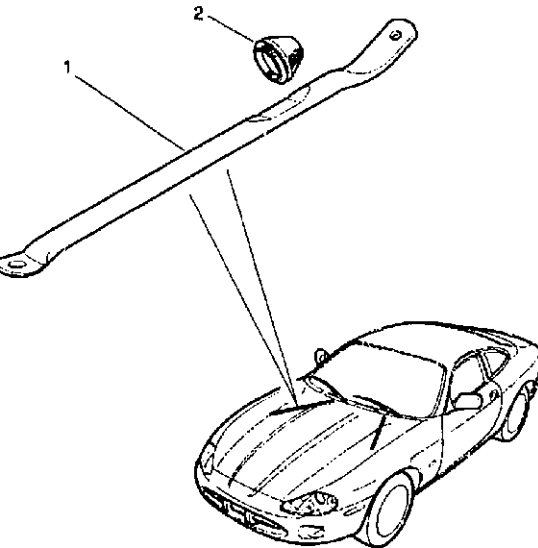


TY6219

CHANGE POINTS:
(1) To (V) 031302

BODYSHELL BRACING STRUT-CONVERTIBLE

Illus	Part Number	Description	Quantity	Change Point	Remarks
	1 HJA 4000AD	Brace-RH-dash to valance.....	1	(1)	
	1 HJA 4000AE	Brace-RH-dash to valance.....	1	(2)	
	1 HJA 4001AD	Brace-LH-dash to valance.....	1	(1)	
	1 HJA 4001AE	Brace-LH-dash to valance.....	1	(2)	
	JXB 11016FP	Flanged head screw	2		
	2 HJA 4006AD	Grommet-dash to valance	2		

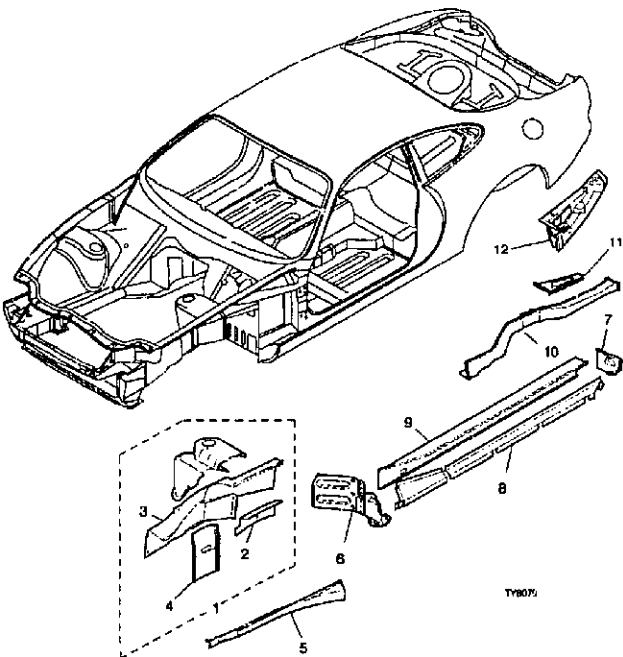


TY6684

CHANGE POINTS:
(1) To (V) 020870
(2) From (V) 020871

FRONT VALANCE AND REAR LONGITUDINAL

Illus	Part Number	Description	Quantity	Change Point	Remarks
	1 FJA 3990AG	VALANCE PANEL-RH FRONT	1		
	2 FJA 2016AC	• Reinforcement-turret to sidemember-RH	1		
	3 FJA 1990AC	• Valance panel-RH front	1		
	4 FJA 2938AB	• Valance reinforcement-RH upper	1		
	1 FJA 3991AG	VALANCE PANEL-LH FRONT	1		
	2 FJA 2017AC	• Reinforcement-turret to sidemember-LH	1		
	3 FJA 1991AC	• Valance panel-LH front	1		
	4 FJA 2939AB	• Valance reinforcement-LH upper	1		
	MJA 7702AC	Air conditioning warning label	1		
	5 FJA 1170AC	Valance reinforcement-RH	1		
	5 FJA 1171AC	Valance reinforcement-LH	1		
	6 FJA 1342AD	Sill closing panel-RH front-outer	1	(1).....	Coupe
	6 FJA 1343AD	Sill closing panel-LH front-outer	1		
	6 FJA 1342AE	Sill closing panel-RH front-outer	1	(2).....	Coupe
	6 FJA 1343AE	Sill closing panel-LH front-outer	1		
	7 FJA 2232AC	Sill closing panel-RH rear	1		
	7 FJA 2233AC	Sill closing panel-LH rear	1		
	6 JLM 20068	Sill panel reinforcement-RH outer	1] Coupe
	8 JLM 20069	Sill panel reinforcement-LH outer	1		
	9 JLM 20068	Sill panel-RH inner	1		
	9 JLM 20067	Sill panel-LH inner	1		
	10 JLM 20061	Rear longitudinal-RH rear	1		
	10 JLM 20062	Rear longitudinal-LH rear	1		
	11 FJA 4170AA	Extension panel-RH rear wheelarch	1		
	11 FJA 4171AA	Extension panel-LH rear wheelarch	1		
	12 FJA 3324AB	Lower panel-RH rear fender-inner	1		
	12 FJA 3325AB	Lower panel-LH rear fender-inner	1		
	JZR 100010	Bear nut-M6	2		



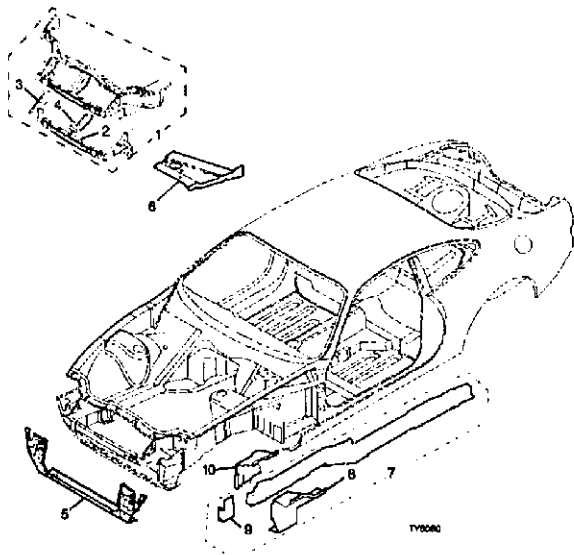
CHANGE POINTS:

(1) To (V) 022934

(2) From (V) 022935

FRONT CROSSMEMBER/LONGITUDINAL

Illus	Part Number	Description	Quantity	Change Point	Remarks
	1 FJA 3866AD	BUMPER MOUNTING CROSSMEMBER-CROSSDEAM 1			
	2 FJA 1886AD	• Bumper mounting crossmember 1			(1)
	3 FJA 4482AA	• Mounting bracket-RH-front crossmember 1			
	3 FJA 4483AA	• Mounting bracket-LH-front crossmember 1			
	4 FJA 2613AB	• Bumper mounting reinforcement-front 1			
	1 FJB 3868AA	BUMPER MOUNTING CROSSMEMBER-CROSSBEAM 1			(2)
	2 FJA 1866AE	• Bumper mounting crossmember 1			
	4 FJA 2613AB	• Bumper mounting reinforcement-front 1			
	5 FJA 4059AE	Bumper mounting crossmember-lower NLA			(1)..... Use FJB4059AA.
	5 FJB 4059AA	Bumper mounting crossmember-lower 1			(2)
	6 FJA 4422AC	Reinforcing bracket -RH front-bracket to valance 1			
	6 FJA 4423AC	Reinforcing bracket -LH front-bracket to valance 1			
	7 FJA 3848AF	LONGITUDINAL MEMBER-RH FRONT 1			
	8 FJA 1842AB	• Extension panel-RH sidemember-inner 1			
	7 FJA 2032AD	• Radiator crossmember extension-RH lower 1			
	7 FJA 3048AF	LONGITUDINAL MEMBER-LH FRONT 1			
	8 FJA 1843AB	• Extension panel-LH sidemember-inner 1			
	9 FJA 2033AD	• Radiator crossmember extension-LH lower 1			
	10 FJA 1992AC	Valance panel-RH-inner-front crush tube 1			
	10 FJA 1993AC	Valance panel-LH-inner-front crush tube 1			



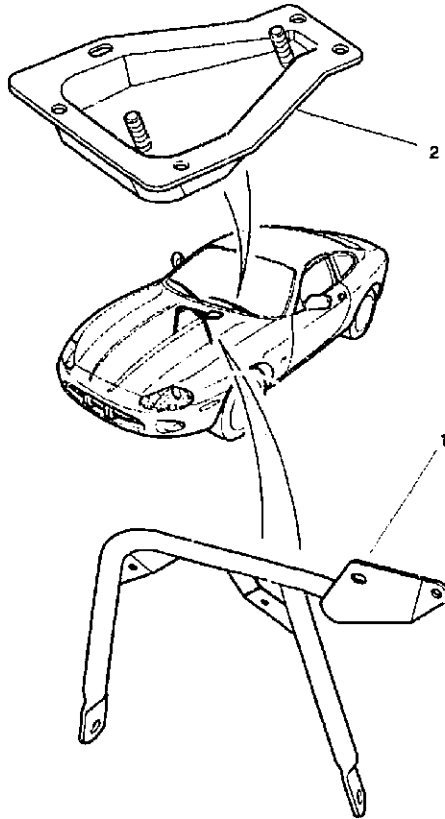
CHANGE POINTS:

(1) To (V) 024686

(2) From (V) 024687

BODYSHELL BRACE-FACIA TO TUNNEL

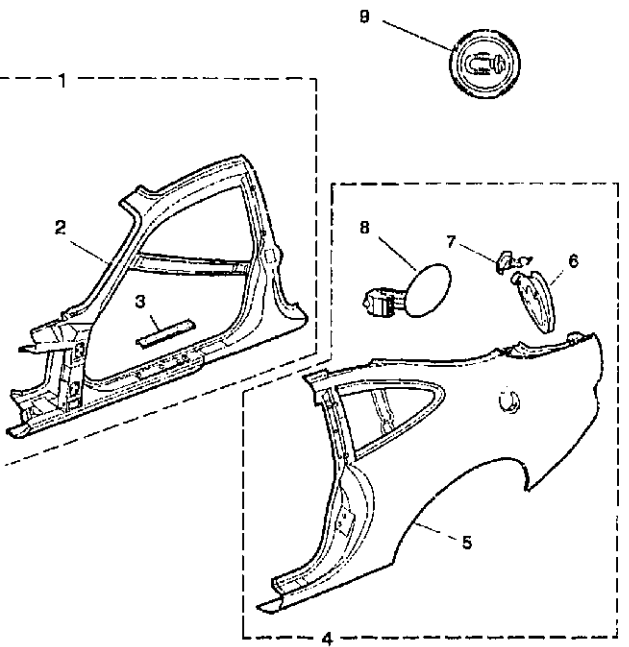
Illus	Part Number	Description	Quantity	Change Point	Remarks
1	HJA 4200DD	Brace-dash/tunnel.....	1		
2	GJB 7820AB	Gearbox tunnel cover.....	1		



TY0233A

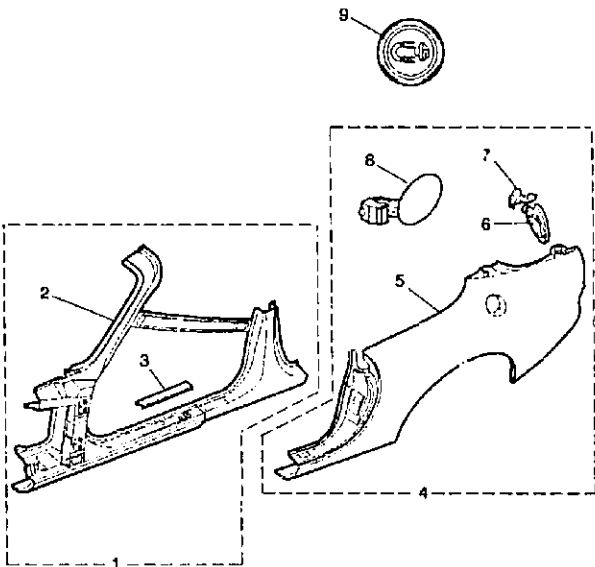
BODY SIDE PANEL-COUPÉ

Illus	Part Number	Description	Quantity	Change Point	Remarks
	1 JLM 20074	BODY SIDE PANEL -RH.....	1		
	2 FJA 1304AE	• Body side panel -RH.....	1		
	3 CAP 225	• Sill panel reinforcement.....	1		
	1 JLM 20075	BODY SIDE PANEL -LH.....	1		
	2 FJA 1305AE	• Body side panel -LH.....	1		
	3 CAP 225	• Sill panel reinforcement.....	1		
	4 JLM 20070	TONNEAU PANEL-RH REAR TONNEAU.....	1		
	5 FJA 1320AF	• Tonneau panel-RH rear tonneau.....	1		
	6 FJA 1400AC	• Tail lamp mounting panel-RH rear wing.....	1		
	7 FJA 1406AE	• Drain channel panel -RH rear wing.....	1		
	4 JLM 20071	TONNEAU PANEL-LH REAR TONNEAU.....	1		
	5 FJA 1321AF	• Tonneau panel-LH rear tonneau.....	1		
	6 FJA 1401AC	• Tail lamp mounting panel-LH rear wing.....	1		
	7 FJA 1407AE	• Drain channel panel -LH rear wing.....	1		
	8 FJA 3089AF	• Fuel filler flap.....	1		
	9 HJA 3101AA	Filter cap retaining magnet.....	1		
	BEC 9183	Fuel label.....	1		



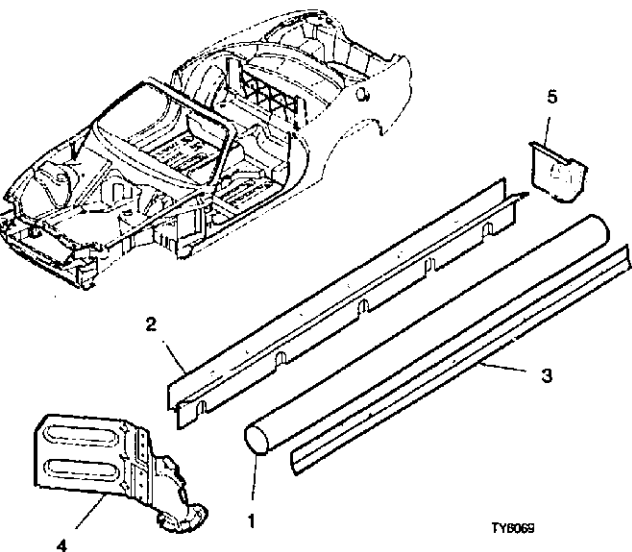
BODY SIDE PANEL-CONVERTIBLE:

Illus	Part Number	Description	Quantity	Change Print	Remarks
1	JLM 20076	BODY SIDE PANEL -RH	1		
2	FJA 1304AE	• Body side panel -RH	1		
3	CAP 225	• Sill panel reinforcement	1		
1	JLM 20077	BODY SIDE PANEL -LH	1		
2	FJA 1305AE	• Body side panel -LH	1		
3	CAP 225	• Sill panel reinforcement	1		
4	JLM 20072	TONNEAU PANEL-RH REAR TONNEAU	1		
5	FJA 1320BD	• Tonneau panel-RH rear tonneau	1		
6	FJA 1400AC	• Tail lamp mounting panel-RH rear wing.....	1		
7	FJA 1406AE	• Drain channel panel -RH rear wing	1		
4	JLM 20073	TONNEAU PANEL-LH REAR TONNEAU	1		
5	FJA 1321BD	• Tonneau panel-LH rear tonneau	1		
6	FJA 1401AC	• Tail lamp mounting panel-LH rear wing	1		
7	FJA 1407AE	• Drain channel panel -LH rear wing.....	1		
8	FJA 3089AF	• Fuel filler flap	1		
9	HJA 3101AA	Filter cap retaining magnet	1		
BEC	9188	Fuel label	1		



SIDE TUBES AND REINFORCEMENTS-CONVERTIBLE

illus	Part Number	Description	Quantity	Change Point	Remarks
1	BJC 1024	Sill tube reinforcement.....	2		
2	FJA 3619BA	Sill panel reinforcement-lower	2		
3	BJC 1023	Sill panel reinforcement-upper	2		
4	FJA 1342BE	Sill closing panel-RH front-outer	1		
4	FJA 1343BD	Sill closing panel-LH front-outer.....	1	(1)	
4	FJA 1343BE	Sill closing panel-LH front-outer.....	1	(2)	
5	FJA 2232AB	Sill closing panel-RH rear	1		
5	FJA 2233AB	Sill closing panel-LH rear.....	1		



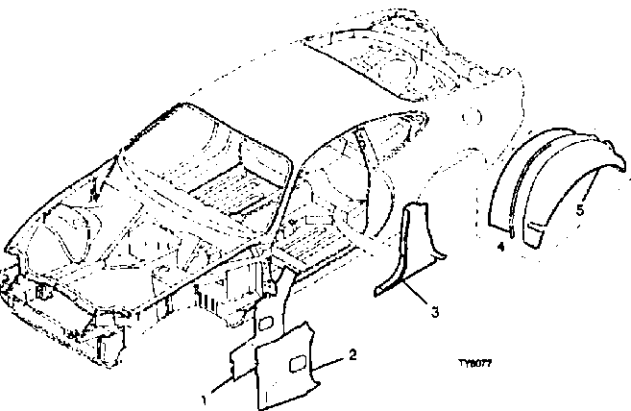
CHANGE POINTS:

(1) To (V) 022696

(2) From (V) 022697

A-POST AND WHEELBOX

Illus	Part Number	Description	Quantity	Change Point	Remarks
1	FJA 1916AE	A-post inner panel-RH.....	1		
1	FJA 1917AE	A-post inner panel-LH.....	1		
2	FJA 1974AD	A-post closing panel-RH.....	1		
2	FJA 1975AD	A-post closing panel-LH.....	1		
3	FJA 1628AE	B-post panel-RH B-post-inner.....	1		
3	FJA 1629AE	B-post panel-LH B-post-inner.....	1		
4	JLM 20063	INNER WHEELARCH-RH REAR-INNER/OUTER.....	1		
5	FJA 1330AE	• Wheelarch panel-RH rear-outer.....	1	(1; 2)	
5	FJA 1330AF	• Wheelarch panel-RH rear-outer.....	1	(3; 4)	
4	JLM 20064	INNER WHEELARCH-LH REAR-INNER/OUTER.....	1		
5	FJA 1331AE	• Wheelarch panel-LH rear-outer.....	1	(1; 2)	
5	FJA 1331AF	• Wheelarch panel-LH rear-outer.....	1	(3; 4)	

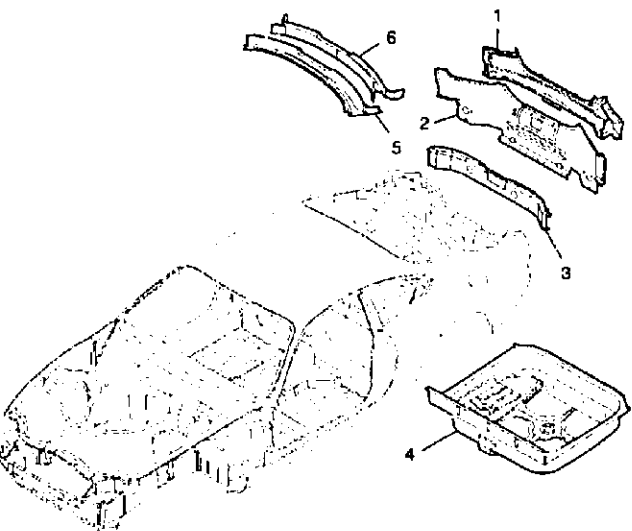


CHANGE POINTS:

- (1) To (B) GH012070
- (2) To (B) GR006902
- (3) From (B) GH012071
- (4) From (B) GR006903

BODYSHELL REAR END PANEL

Qty	Part Number	Description	Quantity	Change Point	Remarks
1	FJA 4181AD	Rear panel-upper.....	1		
2	FJA 4153AE	Rear panel lower body-inner	1		
3	FJA 2177AA	Crossmember-rear floor-inner	1		
4	FJA 4141AG	Trunk floor panel	1	(1)	
4	FJA 4141AJ	Trunk floor panel	1] (2)..... Coupe	
4	FJA 4141BB	Trunk floor panel	1	 Convertible 2+2
	JZR 100021	Bear nur-M6	5		
5	FJA 1124AB	Decking panel	1]..... Coupe	
8	FJA 1125AB	Decking panel-rear parcel shelf	1		



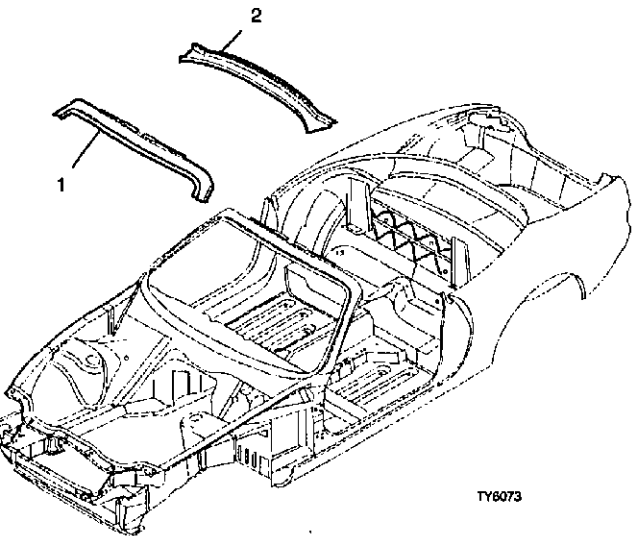
TY6078

CHANGE POINTS:

- (1) To (V) 018107
- (2) From (V) 018108

HEADER PANEL AND REAR DECKING

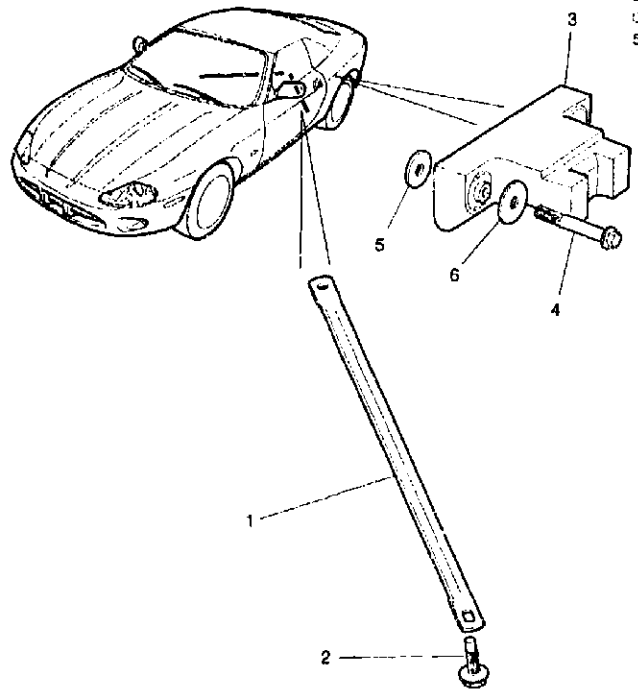
Illustration Number	Description	Quantity	Change Point	Remarks
1 FJA 3104BD	Header panel.....	1	} Convertible 2+2
2 FJA 3688BA	Decking panel-rear	1	



TY6073

STRUT-REAR CROSSMEMBER-CONVERTIBLE

Illus	Part Number	Description	Quantity	Change Point	Remarks
1	HJA 4821AC	Strut-rear	2		
2	SH 112301 M	Setscrew	4		
3	MJA 7580AA	Bodyside-rear mounting-cast iron.....	2	(1)	
3	MJA 7580AB	Bodyside-rear mounting-cast iron.....	2	(2)	
4	JFB 11214EP	Flange head bolt	4		
5	JZW 100035	Special washer	4	(1)	
5	WJ 112001	Plain washer	4		
5	JZW 100037	Special washer	8	(2)	

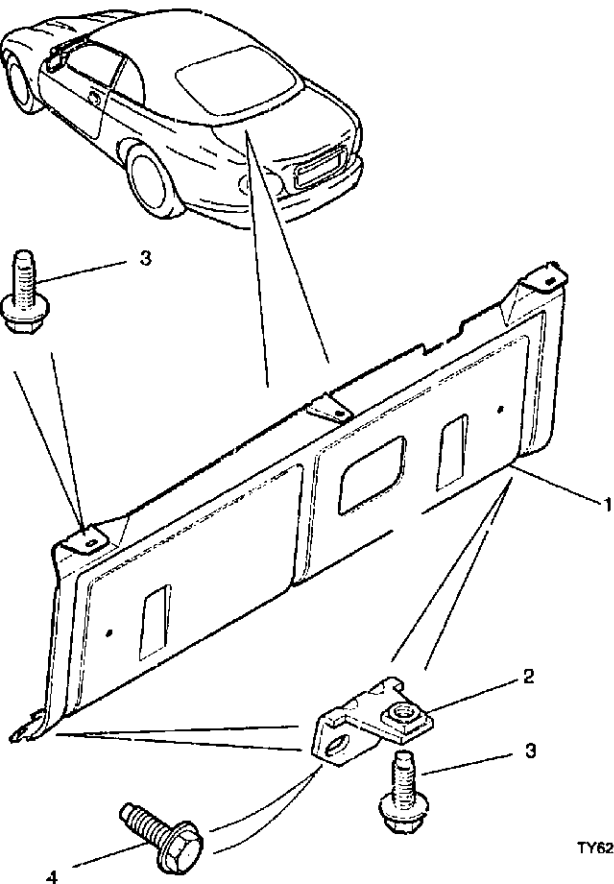


TY6220

CHANGE POINTS:
(1) To (V) 028020
(2) From (V) 028021

TRUNK STIFFENER/FUEL TANK CLAMP

Illus	Part Number	Description	Quantity	Change Point	Remarks
1	HJA 4195DA	Trunk reinforcement plate	1	(1).....	Convertible 2+2
2	HJA 4196DA	Reinforcement plate-upper	2	Convertible 2+2
3	FS 108121 J	Flange screw	2		
4	JHG 10825E	Paint clearing screw-M8	7		

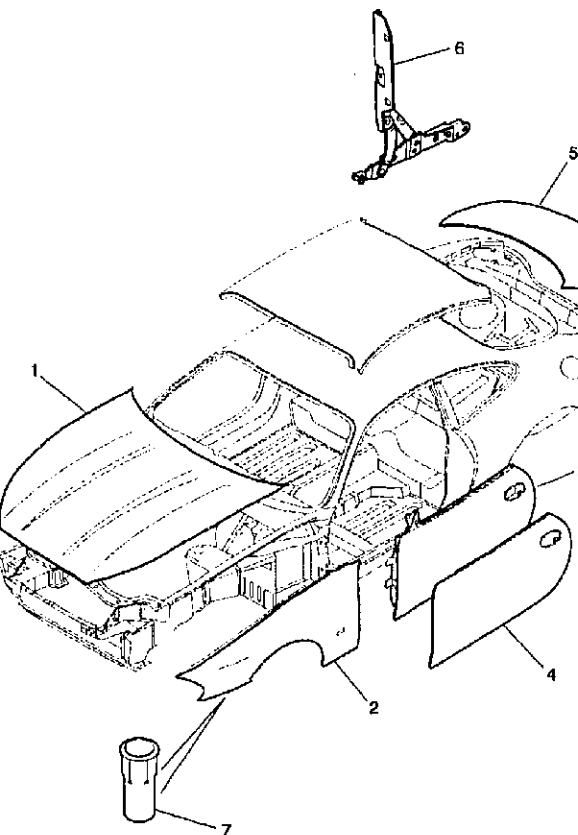


TY6254

CHANGE POINTS:
(1) To (V) 031302

BONNET, WING, DOOR AND TRUNK LID PANEL

Illus	Part Number	Description	Quantity	Change Point	Remarks
	1 FJA 3005AD	Bonnet panel.....	1	(1)	
	1 FJB 3005AA	Bonnet panel.....	1	(2)	
	FJA 3010AC	Bonnet hinge-RH.....	1	}	(3)
	FJA 3011AC	Bonnet hinge-LH.....	1		
	FJA 3010AD	Bonnet hinge-RH.....	1		
	FJA 3011AD	Bonnet hinge-LH.....	1		
	2 FJA 1070AE	Wing panel-RH front fender.....	1		
	2 FJA 1071AE	Wing panel-LH front fender.....	1		
	JZH 100012	Screw/washer.....	12		
	3 FJA 3028AE	Door panel-assembly-RH.....	1		
	3 FJA 3029AE	Door panel-assembly-LH.....	1		
	4 FJA 3032AA	Door skin panel-RH.....	1		
	4 FJA 3033AA	Door skin panel-LH.....	1		
	5 FJA 3019AG	Trunk lid panel.....	1	(1)	} Coupe
	5 FJB 3019AA	Trunk lid panel.....	1	(2)	
	5 FJA 3019BF	Trunk lid panel.....	1	(1)	} Convertible+ 2+2; stop lamp
	5 FJB 3019BA	Trunk lid panel.....	1	(2)	
	6 FJA 3026AD	Trunk lid hinge-RH.....	1	}	(3)
	6 FJA 3027AD	Trunk lid hinge-LH.....	1		
	6 FJA 3026AE	Trunk lid hinge-RH.....	1		
	6 FJA 3027AE	Trunk lid hinge-LH.....	1		
	7 JZR 100010	Bear nut-M6.....	6		



TY6690

CHANGE POINTS:

- (1) To (V) 024686
- (2) From (V) 024687
- (3) To (V) 023170
- (4) From (V) 023171

MASTER INDEX
ENGINE..... 1 D
ENGINE MANAGEMENT/EMISSION SYSTEMS..... 1 F
AIR AND FUEL DELIVERY SYSTEMS 1 G
ENGINE COOLING SYSTEM..... 1 H
EXHAUST SYSTEM AND COMPONENTS 1 I
TRANSMISSION AND DRIVELINE..... 1 J
STEERING AND SUSPENSION..... 1 K
BRAKING SYSTEM 1 M
AIR CONDITIONING/HEATING/VENTILATION..... 1 N
WIPER AND WASHER SYSTEMS..... 1 C
ELECTRICAL DISTRIBUTION SYSTEM..... 2 C
INFORMATION SYSTEMS AND CONTROLS..... 2 E
BATTERY/STARTER MOTOR/ALTERNATOR..... 2 F
IN CAR ENTERTAINMENT..... 2 G
LIGHTING - EXTERIOR/INTERIOR 2 H
LOCKING/SECURITY SYSTEMS/HORNS..... 2 I
SEATING..... 2 J
OCCUPANT RESTRAINTS..... 2 L
INTERIOR TRIM AND LININGS 2 M
EXTERIOR FITTINGS AND SUNROOF..... 3 C
BODY CLOSURES AND SEALING..... 3 D
BODY METAL PANELS AND SEALING..... 3 G
ACCESSORIES/CONSUMABLES/INDEX..... 3 H

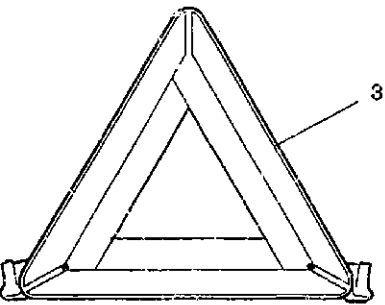
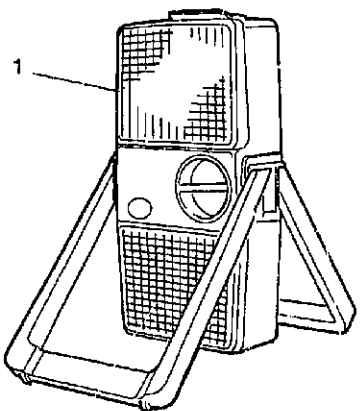
GROUP INDEX
AUDIO..... 3. H 11
CAR CARE..... 3. I 04
COMMUNICATIONS..... 3. H 08
CONSUMABLES..... 3. H 09
EXTERIOR STYLE..... 3. H 17
INTERIOR STYLE..... 3. H 12
PAINT TOUCH-UP..... 3. I 08
SAFETY AND SECURITY..... 3. H 02
TOOLKIT..... 3. I 05
TOURING..... 3. I 03
WHEELS AND TYRES..... 3. I 02

BATTERY JUMP LEAD..... 3. I 07
CAR CARE CONSUMABLES..... 3. I 02
CAR JACK AND WHEEL BRACE..... 3. I 05
CHILD SAFETY..... 3. H 07
COMPACT DISC FITTING KIT..... 3. H 11
CUP HOLDER/CONSOLE LID..... 3. H 13
DRIVING..... 3. H 04
EXTERIOR ACCESSORIES..... 3. H 18
INTERIOR ACCESSORIES..... 3. H 12
LAMBSWOOL RUG SET..... 3. H 14
MUDFLAP KIT..... 3. H 17
PAINT TOUCH-UP PENCIL..... 3. I 08
PROTECTION..... 3. I 04
SAFETY..... 3. H 02
SECURITY..... 3. H 03
STOWAGE..... 3. H 06
TAILORED CARPET SET..... 3. H 15
TELEPHONE- UP TO 1999MY..... 3. H 08
TELEPHONE-EQUIPMENT FROM 1999MY..... 3. H 10
TELEPHONE-FROM 1999MY..... 3. H 09
TOOLKIT..... 3. I 08
TOURING ACCESSORIES..... 3. I 03
WHEELS..... 3. I 02

WOODEN STEERING WHEEL/GEAR KNOB..... 3. H 16
--

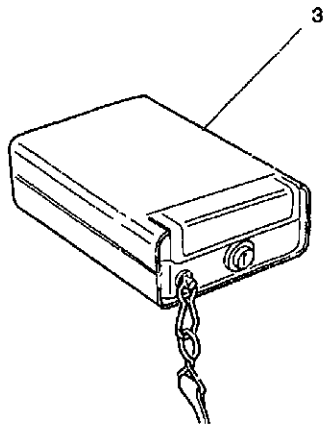
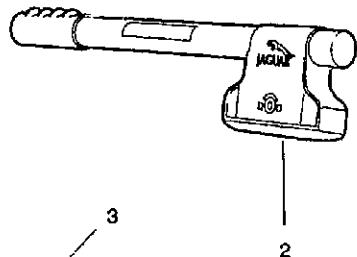
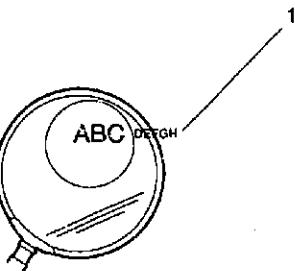
SAFETY

Illus	Part Number	Description	Quantity	Change Point	Remarks
1	JLM 20092	Warning light.....	1		
2	JLM 11690	Fire extinguisher-dry powder-1.3 Kg.....	NLA		Use JLM20729.
2	JLM 20729	Fire extinguisher-dry powder-1 Kg.....	1		
	GMD 3753AA	First aid kit	1		
3	JLM 11845	WARNING TRIANGLE KIT	1		
	AB 010051	• Clamp screw.....	2		
	C 31973 6	• Lokut nut.....	2		
	GNA 3752AA	• Warning triangle	1		
	GNA 3755AA	• Bracket mounting.....	1		
	GNA 3756AA	• Mounting block-warning triangle.....	1		
	JLM 20104	Rechargeable torch	1		
	JLM 11187	Air pump	1		



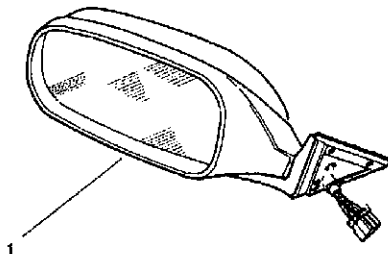
SECURITY

Illus	Part Number	Description	Quantity	Change Point	Remarks
1	JLM 11525	Security kit-alphadot.....	1		
	JLM 11524	Fixing kit-elphadot.....	1		
2	JLM 12383	Lock-security-steering wheel.....	1		
3	JLM 20517	SECURITY BOX	1		
	WE 10800J	• Washer.....	2		
	NT 10804I	• Locking nut.....	2		
	SE 10512I	• Screw.....	4		
	JLM 2014I	Bumper security locking bolt-set-90mm-front/rear.....	2		
	JLM 11475	Window etching kit.....	1		
	JLM 20344	INCLINATION SENSOR KIT.....	1		
	FN 10604I J	• Flange nut-M8	2		



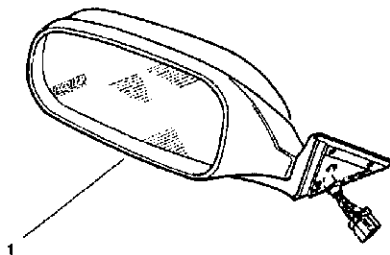
DRIVING

Illus	Part Number	Description	Quantity	Change Point	Remarks
	JLM 20520	MIRROR KIT-POWERFOLD.....	1		
1	HJA 3402AB	• DOOR MIRROR-LESS GLASS/BACKCOVER-RH.....	NLA		Use HJB3402AA.
		ELECTROCHROMATIC.....			
1	HJA 3403AB	• DOOR MIRROR-LESS GLASS/BACKCOVER-LH.....	NLA		Use HJB3403AA.
		ELECTROCHROMATIC.....			
	HJA 3410AB	• • Mechanism-RH-electrochromatic-memory.....	NLA		Use HJA3402AB. Part of HJA3402AB.
	HNA 3068AB	• • Motor-assembly-memory.....	1		
	HJA 3052AA	• • Mirror case bezel -RH.....	NLA		Part of HJA3402AB.
	HNA 3412AA	• • Screw.....	3		
	HNA 3414AA	• • Nut.....	2		
	HNA 3415AA	• • Screw.....	2		
	HNA 3416AA	• • Screw.....	3		
	HJA 3411AB	• • Mechanism-LH-electrochromatic-memory.....	NLA		Use HJA3403AB. Part of HJA3403AB.
	HJA 3053AA	• • Mirror case bezel -LH.....	NLA		Part of HJA3403AB.
1	HJB 3402AA	DOOR MIRROR-LESS GLASS/BACKCOVER-RH.....			
1	HJB 3403AA	DOOR MIRROR-LESS GLASS/BACKCOVER-LH.....			
	HNA 3068AB	• Motor-assembly-memory.....	1		
	HJA 3052AA	• Mirror case bezel -RH.....	NLA		Part of HJB3402AA.
	HNA 3412AA	• Screw.....	3		
	HNA 3414AA	• Nut.....	2		
	HNA 3415AA	• Screw.....	2		
	HNA 3416AA	• Screw.....	3		
	HJA 3053AA	• Mirror case bezel -LH.....	NLA		Part of HJB3403AA.



DRIVING

Illus	Part Number	Description	Quantity	Change Point	Remarks
1	JLM 20707	Door mirror-aspheric.....	1		
	HNA 3121CB	Interior rear view mirror-electrochromatic-automatic dim	1	(1)	
	HJA 3121AA	Interior rear view mirror-automatic dim	1	(2)	
	JLM 20138	Trafficmaster	1		
	JLM 20783	POLLEN FILTER KIT	1		
	MJA 6863AA	• Air particle filter.....	1		
	MJA 6865AA	• Air intake housing.....	1		
	JHG 10925E	• Paint clearing screw-air intake.....	2		
	MJA 6858AA	• Water shield-air intake	1		
	JLM 20121	Wind deflector.....	1	] Convertible 2+2
	JLM 20121 ;	Fixing kit-wind deflector	1	]
	JLM 20094	Snow chain kit -17" wheel.....	1		
	JLM 20848	Snow chain kit -18" wheel.....	1		



TZ6725

CHANGE POINTS:

(1) To (V) 001148

(2) From (V) 001150

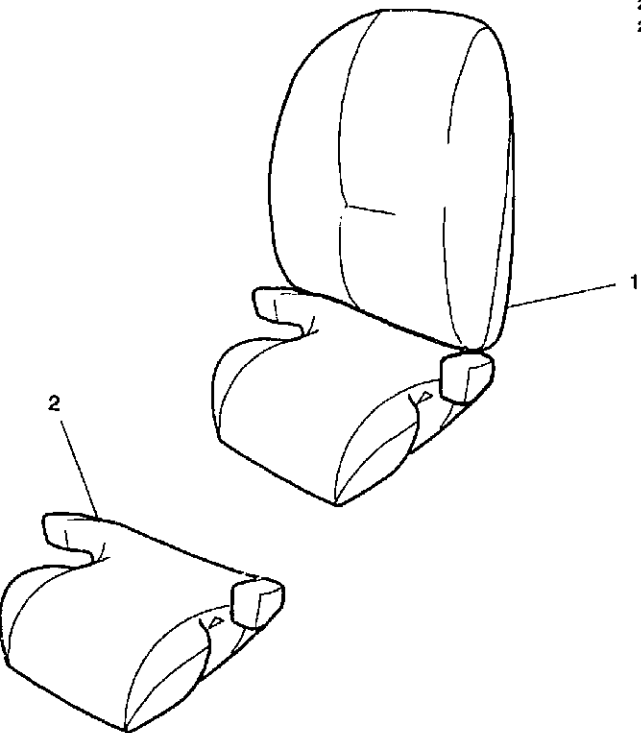
STOWAGE

Illus	Part Number	Description	Quantity	Change Point	Remarks
	JLM 20518	Cargo net-rear	1		
	JLM 20519	Cargo net-forward	1		
	JLM 20145	Trunk net.....	1		Space saver spare wheel
	JLM 20462	Trunk net.....	1		Except space saver spare wheel
	JLM 20087	Trunk rack	1		} Convertible 2+2
	JLM 20118	Luggage box-trunk rack	1		
	JLM 20088	Cycle holder -trunk rack.....	1		
	JLM 20089	Ski holder -trunk rack.....	1		
	JLM 20860	Trunk rack	1	(1)	
	JLM 20417	Luggage retainer-set.....	1		
	JLM 20415	Umbrella strap kit-trunk	1		

CHANGE POINTS:
(1) From (V) 018108

CHILD SAFETY

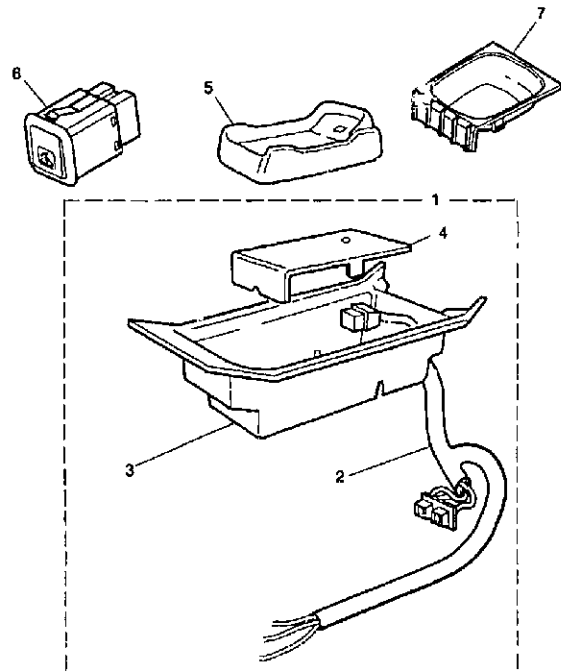
Illus	Part Number	Description	Quantity	Change Point	Remarks
1	JLM 20457	Booster seat.....	1		
1	JLM 20856	Booster seat.....	1	(1)	
2	JLM 10686	Booster cushion.....	NLA		Use JLM20758.
2	JLM 20758	Booster cushion.....	1		
	JLM 20252	Baby seat.....	1		
	JLM 20866	Infant carrier head support.....	1		



SZ8643

CHANGE POINTS:
(1) From (V) 031303

Illus	Part Number	Description	Quantity	Change Point	Remarks
2	LJA 354QAE	Telephone harness-car telephone	1	(1)	
	LJA 7328BA	Telephone harness-portable telephone	1	(1)	
1	JLM 20582	TELEPHONE INSTALLATION KIT.....	1	(2)	
2	LJB 3540AD	• Telephone harness	1		
3	GJA 8580AB	• Cubby box-assembly	1		
4	GJA 8571AA	• Cubby box shelf	1		
	JDA 81006B	• Self tapping screw	3		
	SE 104081	• Screw.....	6		
5	LJB 7321AA	Mounting cradle-mobile telephone.....	1		
6	LJA 8349AB	Telephone switch	1		
7	GJA 8581AA	Coin tray	1		
	LNA 7307AAAGJ	Microphone-Oatmeal.....	1		
	LNA 7307AA LFJ	Microphone-Nimbus grey.....	1		
	GJA 8585BA	Foam pad-mobile telephone.....	2	(1)	
	GJA 8585BB	Foam pad-mobile telephone.....	2	(2)	
C	48294	Tie strap.....	3		



1Z8660

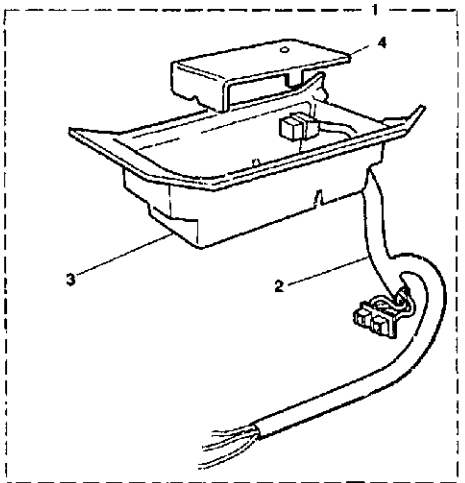
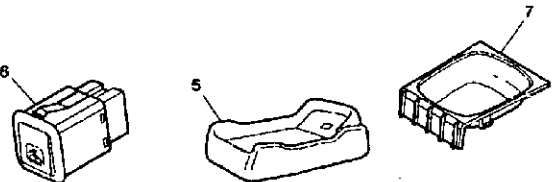
CHANGE POINTS:

(1) To (V) 018107

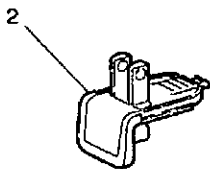
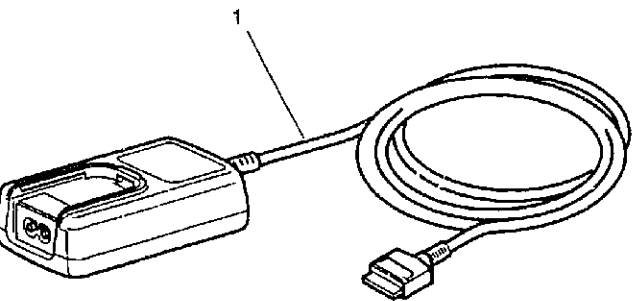
(2) From (V) 018108

TELEPHONE-FROM 1999MY

Illus	Part Number	Description	Quantity	Change Part	Remarks
1	JLM 20794	TELEPHONE INSTALLATION KIT.....	1		
2	LJB 3540AD	• Telephone harness	1		
4	GJA 8571AA	• Cubby box shelf	1		
	SE 104084	• Pan head screw	6		
5	LJB 7321AA	Mounting cradle-mobile telephone	1		
6	LJA 6349AB	Telephone switch	1		
7	GJA 8581AA	Coin tray	1		
	LNA 7307AA AGD	Microphone-Oatmeal	1		
	LNA 7307AA LFJ	Microphone-Nimbus grey	1		
	GJA 8585BB	Foam pad-mobile telephone	1		
C	48294	Tie strap	1		

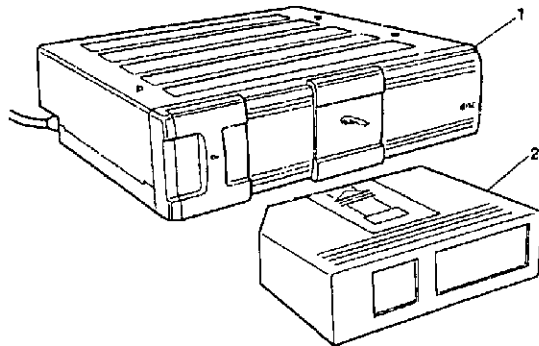


Illus	Part Number	Description	Quantity	Change Point	Remarks
1	JLM 20814	Battery charger-adaptor.....	1		
2	JLM 20811	Battery charger-mobile telephone	1		



COMPACT DISC FITTING KIT

Qty	Part Number	Description	Quantity	Change Point	Remarks
1	LXF 4180CA	COMPACT DISC AUTOCHANGER WITH MAGAZINE	1		
2	LXF 4161AA	• Compact disc autochanger magazine-6 disc	1		
	JLM 20082	INSTALLATION KIT-COMPACT DISC AUTOCHANGER	1		Coupe
	HJA 82053C	• Pump mounting bracket-hood	1		
	SE 104084	• Pan head screw	4		
	WF 703080	• Shakeproof washer	4		
	JLM 20083	INSTALLATION KIT-COMPACT DISC AUTOCHANGER	1		Convertible 2+2
	SE 104084	• Pan head screw	4		
	WF 703080	• Shakeproof washer	4		
	JLM 20085	Compact disc carry case	1		



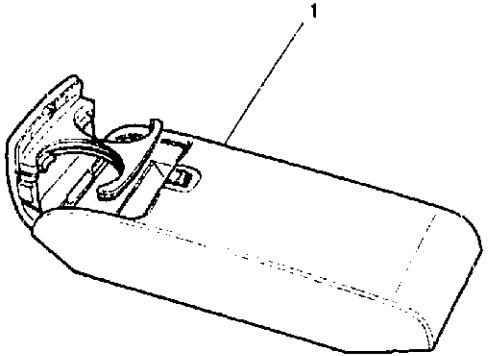
INTERIOR ACCESSORIES

Qty	Part Number	Description	Quantity	Change Point	Remarks
	JLM 20521	Windscreen sunshade	1		

ILLUSTRATION TO FOLLOW

CUP HOLDER/CONSOLE LID

Item	Part Number	Description	Quantity	Change Point	Remarks
1	GNA 7670BF NDR	Console lid -front-leather-Cream	1	} Cup holder
1	GNA 7670BF AGD	Console lid -front-leather-Oatmeal.....	1	
1	GNA 7670BF HDX	Console lid -front-leather-Teal.....	1	
1	GNA 7670BF LEG	Console lid -front-leather-Warm charcoal	1	
	JLM 11600	Cup holder fitting kit.....	1		



TZ6648

LAMBSWOOL RUG SET

Illus	Part Number	Description	Quantity	Change Point	Remarks
JLM	20113 LFN	Lambewool rug-Flint grey.....	1		
JLM	20113 AEK	Lambewool rug-Sable.....	1		
JLM	20113 HDX	Lambewool rug-Teal.....	1		

ILLUSTRATION TO FOLLOW

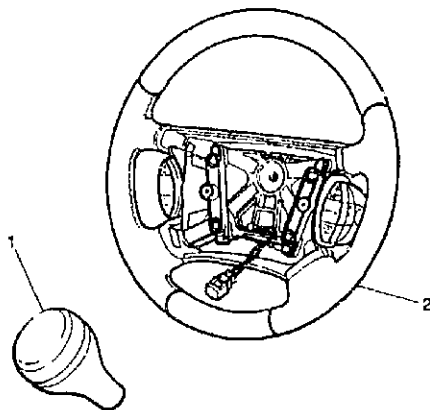
TAILORED CARPET SET

Illus	Part Number	Description	Quantity	Change Point	Remarks
	JLM 20115 AEK	Tailored carpet-Sable.....	1	} XKE logo
	JLM 20115 HDX	Tailored carpet-Teal.....	1	
	JLM 20115 LFN	Tailored carpet-Flint grey.....	1	
	JLM 20901 AEK	Tailored carpet-Sable.....	1	} Jaguar logo
	JLM 20901 HDX	Tailored carpet-Teal.....	1	
	JLM 20901 LFN	Tailored carpet-Flint grey.....	1	

ILLUSTRATION TO FOLLOW

WOODEN STEERING WHEEL/GEAR KNOB

Illus	Part Number	Description	Quantity	Change Point	Remarks
	1 JLM 20501	Gear change knob-ally-chrome	1		
	2 HNC 9181AB LEG	Steering wheel-gray wood-Warm charcoal	1	(1).....] Speed control; Sport
	2 HNC 9181AC LEG	Steering wheel-gray wood-Warm charcoal	1	(2).....	
	2 HNC 9181AD LEG	Steering wheel-gray wood-Warm charcoal	1	(3).....	
	2 HJB 9181FA LEG	Steering wheel gray wood-Warm charcoal	1	(4).....	
	2 HJB 9181FB LEG	Steering wheel-gray wood-Warm charcoal	1	(5).....	
	2 HJB 9181DB AEK	Steering wheel-leather/walnut-Sable	1	(5).....] Speed control
	2 HJB 9181DB AGE	Steering wheel-leather/walnut-Antelope	1	
	2 HJB 9181DB HDV	Steering wheel-wood/leather-Dark teal	1	
	2 HJB 9181DB LEG	Steering wheel-wood/leather-Warm charcoal	1	
	2 HJA 9181SA LEG	Steering wheel-gray wood-Warm charcoal	1	(1).....] Except speed control
	2 HJA 9181SB LEG	Steering wheel-gray wood-Warm charcoal	1	(2).....	
	2 HJA 9181SC LEG	Steering wheel-gray wood-Warm charcoal	1	(3).....	
	2 HJB 9181EA LEG	Steering wheel-gray wood-Warm charcoal	1	(4).....	
	2 HJB 9181EB LEG	Steering wheel-leather/grey wood-Warm charcoal	1	(5).....	
	2 HIB 9181CB AEK	Steering wheel-leather/walnut-Sable	1	(5).....] Except speed control
	2 HJB 9181CB AGE	Steering wheel-leather/walnut-Antelope	1	
	2 HJB 9181CB HDV	Steering wheel-wood/leather-Dark teal	1	
	2 HJB 9181CB LEG	Steering wheel-leather/walnut-Warm charcoal	1	



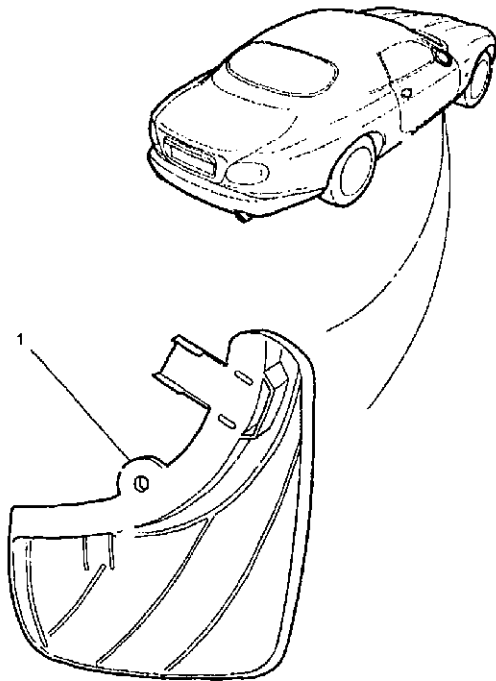
SZ6F28

CHANGE POINTS

- (1) To (V) 010614
- (2) From (V) 010615 To (V) 015735
- (3) From (V) 015736 To (V) 018107
- (4) From (V) 018108 To (V) 021739
- (5) From (V) 021740

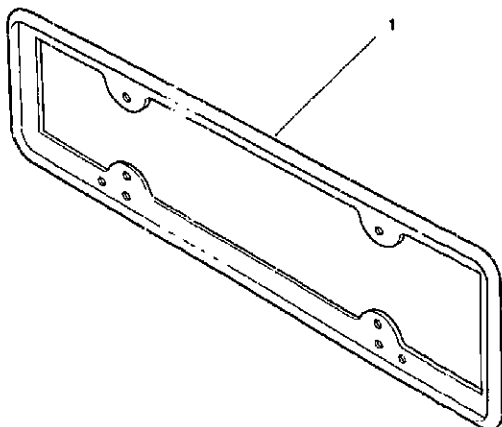
MUDFLAP KIT

Illus	Part Number	Description	Quantity	Change Point	Remarks
1	JLM 20374	Mudflap kit-front.....	1		
1	JLM 20091	Mudflap kit-rear.....	1		



EXTERIOR ACCESSORIES

Illus	Part Number	Description	Quantity	Change Point	Remarks
	JLM 20231	Number plate plinth-front-chrome	1		
1	JLM 20603	NUMBER PLATE SURROUND-KIT-REAR -BRIGHT FINISH.....	1		
	JZA 100019	• Special rivet.....	4		
	KZR 100013	• Threaded insert	2		
	AB 608061 J	• Self tapping screw	2		
	JLM 20581	BUMPER FIXING KIT-FRONT.....	1	(1)	
	JBU 11218E	• Short thread hexagon bolt.....	2		
	HJA 6544AA	• Spacer-strut to beam.....	4		
	KRA 106001	• Screw rivet-cover-unde:tray.....	16		
	KTC 100018	• Fir tree clip.....	7		
	KRB 100002	• Plastic rivet	7		
	JZS 100107	• Paint clearing screw-M6 x 20mm	12		
	JFS 10625F	• Flange head screw	1		



TZ8655

CHANGE POINTS:

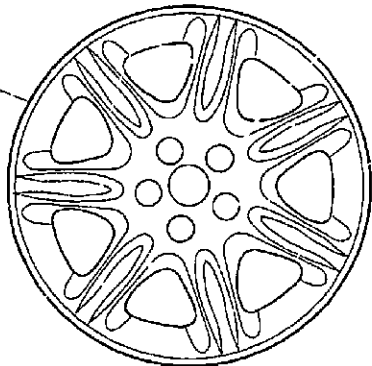
(1) From (V) 018108

MASTER INDEX	GROUP INDEX		
ENGINE..... 1 D			
ENGINE MANAGEMENT/EMISSION SYSTEMS..... 1 F	AUDIO..... 3. H 11	BATTERY JUMP LEAD..... 3. I 07	WOODEN STEERING WHEEL/GEAR KNOB..... 3. H 10
AIR AND FUEL DELIVERY SYSTEMS..... 1 G	CAR CARE..... 3. I 04	CAR CARE CONSUMABLES..... 2. I 09	
ENGINE COOLING SYSTEM..... 1 H	COMMUNICATIONS..... 3. H 08	CAR JACK AND WHEEL BRACE..... 3. I 05	
EXHAUST SYSTEM AND COMPONENTS..... 1 I	CONSUMABLES..... 3. H 09	CHILD SAFETY..... 3. H 07	
TRANSMISSION AND DRIVELINE..... 1 J	EXTERIOR STYLE..... 3. H 17	COMPACT DISC FITTING KIT..... 3. H 11	
STEERING AND SUSPENSION..... 1 K	INTERIOR STYLE..... 3. H 12	CUP HOLDER/CONSOLE LID..... 3. H 13	
BRAKING SYSTEM..... 1 M	PAINT TOUCH-UP..... 3. I 08	DRIVING..... 3. H 04	
AIR CONDITIONING/HEATING/VENTILATION..... 1 N	SAFETY AND SECURITY..... 3. H 02	EXTERIOR ACCESSORIES..... 3. H 18	
WIPER AND WASHER SYSTEMS..... 1 O	TOOLKIT..... 3. I 05	INTERIOR ACCESSORIES..... 3. H 12	
ELECTRICAL DISTRIBUTION SYSTEM..... 2 C	TOURING..... 3. I 03	LAMBSWOOL RUG SET..... 3. H 14	
INFORMATION SYSTEMS AND CONTROLS..... 2 E	WHEELS AND TYRES..... 3. I 02	MUDFLAP KIT..... 3. H 17	
BATTERY/STARTER MOTOR/ALTERNATOR..... 2 F		PAINT TOUCH-UP PENCIL..... 3. I 08	
IN CAR ENTERTAINMENT..... 2 G		PROTECTION..... 3. I 04	
LIGHTING - EXTERIOR/INTERIOR..... 2 H		SAFETY..... 3. H 02	
LOCKING/SECURITY SYSTEMS/HORNS..... 2 I		SECURITY..... 3. H 03	
SEATING..... 2 J		STOWAGE..... 3. H 06	
OCCUPANT RESTRAINTS..... 2 L		TAILORED CARPET SET..... 3. H 15	
INTERIOR TRIM AND LININGS..... 2 M		TELEPHONE UP TO 1999MY..... 3. H 08	
EXTERIOR FITTINGS AND SUNROOF..... 3 C		TELEPHONE-EQUIPMENT FROM 1999MY..... 3. H 10	
BODY CLOSURES AND SEALING..... 3 D		TELEPHONE-FROM 1999MY..... 3. H 09	
BODY METAL PANELS AND SEALING..... 3 G		TOOLKIT..... 3. I 06	
ACCESSORIES/CONSUMABLES/INDEX..... 3 H		TOURING ACCESSORIES..... 3. I 03	
		WHEELS..... 3. I 02	

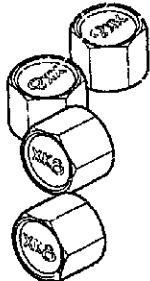
WHEELS

Illus	Part Number	Description	Quantity	Change Point	Remarks
1	MJA 6116AB	Alloy road wheel-17" cast-silver wheel	4		
1	MJA 6116BB	Alloy road wheel-17" cast-chrome	4		
	MJA 6118AA	Road wheel-8J x 18"-cast -front	2		
	MJA 6118BA	Road wheel-8J X 18"-cast -rear	2		
	JLM 20136	Winter wheel and tyre	4		
2	JLM 20110	Valve caps-chrome	4		
3	JLM 10167	Locking wheel nut kit-alloy	1		

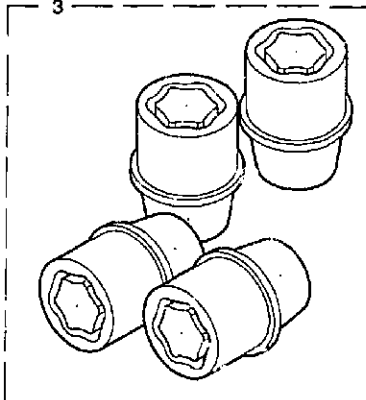
1



2



3



TOURING

TOURING ACCESSORIES

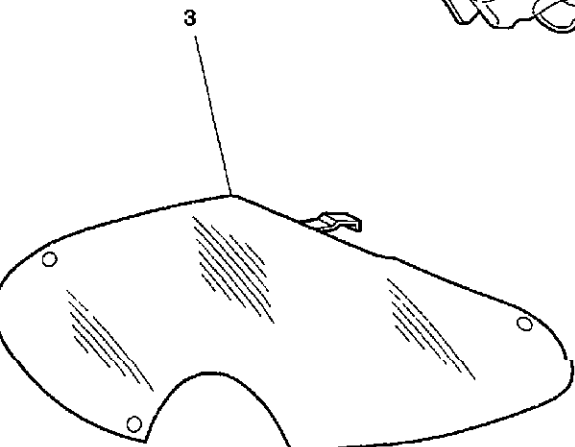
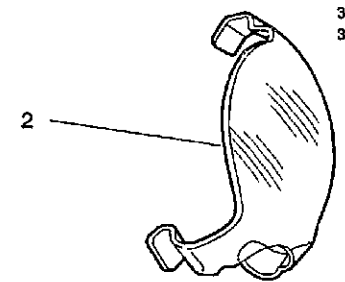
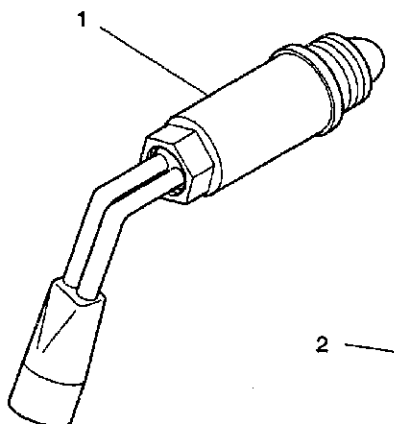
Illus	Part Number	Description	Quantity	Change Point	Remarks
JLM	11898	Executive touring kit.....	1		
JLM	20108	Touring kit.....	1		
JLM	20101	Cooler/warmer box.....	NLA		
JLM	20516	Cooler/warmer box.....	NLA		
JLM	20590	Cooler/warmer box-kit.....	1		
JLM	20117	Bulb kit.....	1		
JLM	20861	Sailboard holder.....	1		
JLM	20863	Bike holder-double.....	1		

ILLUSTRATION TO FOLLOW

CAR CARE

PROTECTION

Illus	Part Number	Description	Quantity	Change Point	Remarks
	1 JLM 20116	ENGINE BLOCK HEATER-KIT-110V.....	1		
	NCA 2258BB	• Water heater -110v-700 w.....	1		
	LJA 3325AC	• Link lead-block heater to bumper.....	1		
	LJA 3325BB	• Link lead-bumper to mains supply.....	1		
	ADU 9028	• Tie strap-7.75' long.....	3		
	JWV 130001	• Sealing washer.....	1		
	2 JLM 20108	Foglamp covers.....	NLA		Use JLM 20752, or JLM 20757.
	2 JLM 20752	Foglamp covers.....	NLA		Use JLM20757.
	2 JLM 20757	Foglamp covers.....	1		
	3 JLM 20203	Headlamp covers.....	1	(1)	
	3 JLM 20775	Headlamp covers.....	1	(2)	
	JLM 20098	Rubber mats-front.....	1		
	JLM 20095	Trunk liner.....	1	(1).....]Space saver spare wheel
	JLM 20867	Trunk liner.....	1	(2).....	
	JLM 20096	Trunk liner.....	1	(1).....]Except space saver spare wheel
	JLM 20868	Trunk liner.....	1	(2).....	
	JLM 20099	Trunk floor mat.....	1		Without compact disc player
	JLM 20100	Trunk floor mat.....	1		With compact disc player
	JLM 20862	Front end protector.....	1	(3)	
	JLM 20899	Front end protector.....	1	(4)	
	JLM 20864	Front end protector.....	1	(5)	
	JLM 20120	Car cover-Evolution 4.....	1		
	JLM 20119	Car cover-hot climate.....	1		
	JLM 12136	Hood cleaner/waterproofer kit.....	1		
	JLM 20137	Cotton seat cover-cotton.....	1		



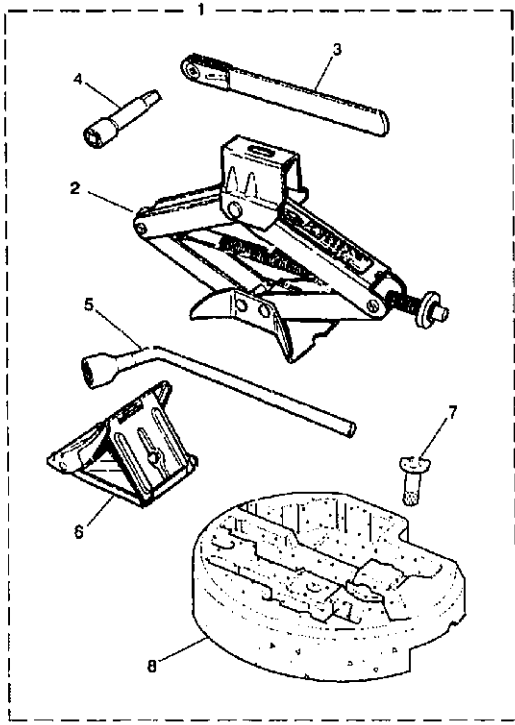
CHANGE POINTS:

- (1) To (V) 031302
- (2) From (V) 031303
- (3) To (V) 018107
- (4) From (V) 018108 To (V) 024686
- (5) From (V) 024687

TOOLKIT

CAR JACK AND WHEEL BRACE

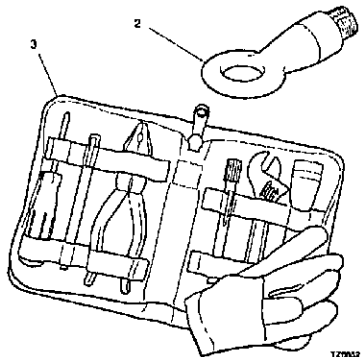
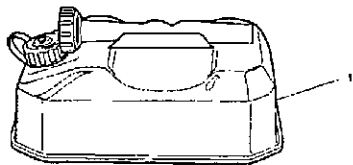
Illus	Part Number	Description	Quantity	Change Point	Remarks
1	MLA 6374AB	TOOLCASE TRAY-ASSEMBLY	1		
2	MLA 6380AB	• Car lifting jack	1		
3	MNA 6365AA	• Jack handle-ratchet	1		
4	MLA 6373AB	• Ratchet handle extension	1		
5	MNA 6370AA	• Wheel brace	1		
6	MMB 6380AA	• Wheel chock	1		
7	MNA 6379AA	• Clamp bolt	1		
8	MLA 6375AA	• Storage tray	1		



TOOLKIT

TOOLKIT

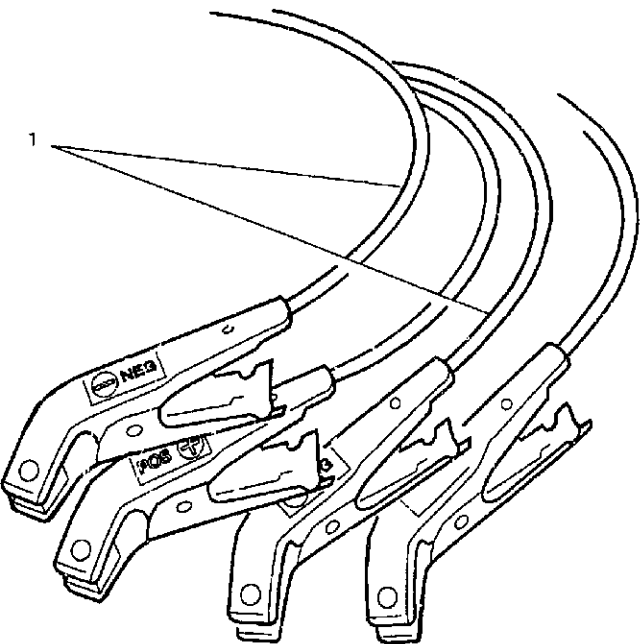
Illus	Part Number	Description	Quantity	Change Point	Remarks
1	JLM 20144	Fuel can-5 litre.....	1		
2	HJA 4393AA KPH 100019	Towing eye..... Blanking plug-towing.....	1 2		
3	JLM 20361	Tool kit-leather casing.....	1		



1279512

BATTERY JUMP LEAD

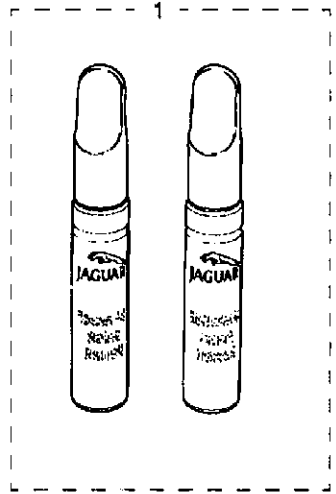
Illus	Part Number	Description	Quantity	Change Point	Remarks
1	JLM 12375	Jump lead.....	1		



PAINT TOUCH-UP

PAINT TOUCH-UP PENCIL

Illus	Part Number	Description	Quantity	Change Point	Remarks
		SOLVENT BASED			
	1 JLM 11464 KDJ	Paint touch-up pencil-Amaranth.....	1		
	1 JLM 11464 PDX	Paint touch-up pencil-Anthraxite-solvent based.....	1		
	1 JLM 11464 JGZ	Paint touch-up pencil-solvent based-Antigua.....	1		
	1 JLM 11464 JGY	Paint touch-up pencil-solvent based-Aquamarine.....	1		
	1 JLM 11464 HDJ	Paint touch-up pencil-British racing green.....	1		
	1 JLM 11464 CFS	Paint touch-up pencil-Carnival.....	1		
	1 JLM 11464 MDP	Paint touch-up pencil-Ice blue.....	1		
	1 JLM 11464 MD7	Paint touch-up pencil-Meteorite.....	1		
	1 JLM 11464 JGE	Paint touch-up pencil-Sapphire.....	1		
	1 JLM 11464 HFR	Paint touch-up pencil-Sherwood.....	1		
	1 JLM 11464 NDM	Paint touch-up pencil-Spindrifft.....	1		
	1 JLM 11464 LFA	Paint touch-up pencil-Titanium.....	1		
	1 JLM 11464 SDN	Paint touch-up pencil-Topaz.....	1		
		WATER BASED			
	1 JLM 11464 HGF	Paint touch-up pencil-Alpine.....	1		
	1 JLM 11464 PED	Paint touch-up pencil-water based-Anthracite.....	1		
	1 JLM 11464 JHH	Paint touch-up pencil-water based-Antigua.....	1		
	1 JLM 11464 JHF	Paint touch-up pencil-Aquamarine-water based.....	1		
	1 JLM 11464 HGD	Paint touch-up pencil-British racing green.....	1		
	1 JLM 11464 CGG	Paint touch-up pencil-Carnival.....	1		
	1 JLM 11464 CGL	Paint touch-up pencil-Phoenix red.....	1		
	1 JLM 11464 JHE	Paint touch-up pencil-Sapphire.....	1		
	1 JLM 11464 PEC	Paint touch-up pencil-Solid black.....	1		
	1 JLM 11464 NEE	Paint touch-up pencil-Spindrifft.....	1		
	1 JLM 11464 SEC	Paint touch-up pencil-Topaz.....	1		



CONSUMABLES

CAR CARE CONSUMABLES

Illus	Part Number	Description	Quantity	Change Point	Remarks
	JLM 20237	Automatic transmission oil -1 litre	A/R		
	JLM 20255	Final drive oil-500ml bottle.....	A/R		
	JLM 20315	Hydraulic hood lift fluid-1 litre.....	1		Convertible 2+2
	JLM 20404 1	Antifreeze -500ml.....	A/R		
	JLM 20404 2	Antifreeze -1 litre.....	A/R		
	JLM 20404 3	Antifreeze -5 litre.....	A/R		
	JLM 20404 4	Antifreeze -25 litre.....	A/R		
	JLM 20404 5	Antifreeze -205 litre.....	A/R		
	JLM 20450	Windscreen washer fluid -5 litre.....	A/R		
	JLM 20878	Alloy wheel cleaner-spray	1		
	JLM 12249	Kats B000 remover -16oz bottle.....	1		
	JLM 20705	Kats B075 remover-24oz container.....	1		
	JLM 20109	Service protection kit-paper floor mats.....	1		
	JLM 20271	SERVICE KIT-10,000 MILE/16,000 KM-20,000	1		
	EAZ 1354	MILE/32,000 KM-40,000 MILE			
	JLM 20109	• Oil filter	1		
	JLM 20109	• Service protection kit-paper floor mats.....	1		
	JWV 114003	• Sealing washer-ump.....	1		
	GNB 8981AA	• Windscreen wiper rubber-wiper.....	2		

ILLUSTRATION TO FOLLOW

CONSUMABLES

CAR CARE CONSUMABLES

Illus	Part Number	Description	Quantity	Change Point	Remarks
	JLM 20276	SERVICE KIT-50,000 MILE-UNLEADED FUEL	1		
	EAZ 1354	• Oil filter	1		
	JLM 20109	• Service protection kit-paper floor mats	1		
	JWV 114003	• Sealing washer-ump	1		
	GJA 8962CA	• Wiper blade-LH-driver -with deflector	1		
	GJA 8960BB	• Wiper blade-without deflector	1		
	JLM 20280	SERVICE KIT-60,000 MILE-UNLEADED FUEL	1		
	EAZ 1354	• Oil filter	1		
	JLM 20109	• Service protection kit-paper floor mats	1		
	JWV 114003	• Sealing washer-ump	1		
	GNB 8961AA	• Windscreen wiper rubber-wiper	2		
	NJA 3558AA	• Aircleaner element	1		
	NMD 8091AC	• Fuel filter	1		
	NCA 3850DA2	• Spark plug	8		

ILLUSTRATION TO FOLLOW

Jaguar XK8 Coupe/Convertible - Canada/USA

J01
Fiche 3

NUMERIC INDEX *AAU 6884J * TO *FJA1843AB *

AAU 5884 J	1. K 18	AB	2722	1. M 04	BEC	23321	AGD...	2. M 10	CAC	3533	1. K 15	CBC	4806 60	1. J 13	CCC	5644	1. M 10	DBC	12311	2. F 03	EBC	9606	1. G 09	
AAU 6367	1. M 05	AJB	1211	1. G 03	BEC	23321	HDX...	2. M 10	CAC	3878	1. K 17	CBC	4806 65	1. J 13	CCC	6782	1. L 02	DBC	12311	2. C 17	EBC	9606	1. G 10	
AAU 6367	1. M 04	AJB	1262	1. D 17	BEC	23321	LER...	2. M 10	CAC	3878	1. K 13	CBC	4806 70	1. J 13	CCC	6941	1. J 08	DBC	12440	2. H 11	EBC	9606	1. G 11	
AB 60806 J	2. O 05	AJB	1283	1. D 17	BEC	23321	NED...	2. M 10	CAC	4610	1. K 18	CBC	4806 75	1. J 13	CCC	7028	1. L 09	DBC	12440	2. H 10	EBC	10989	1. F 03	
AB 60806 J	3. H 18	AJB	1281	1. G 03	BEC	33321	NED...	2. M 10	CAC	4713	1. L 05	CBC	6394	1. L 06	CCC	7028	1. L 08	EAC	5580	1. E 18	EBC	11362	1. G 12	
AB 60806 J	2. M 11	AJB	1294	1. F 11	BEC	23321	SDC...	2. M 10	CAC	4713	1. L 08	CBC	6652	1. K 18	CCC	7042 1	1. L 09	EAC	8021 18	1. G 18	EBC	11362	1. G 13	
AB 61001 J	2. C 03	AJB	1316	1. E 12	BEC	23321	SDZ...	2. M 10	CAC	7827 1	1. L 04	CBC	7369	3. E 15	CCC	7042 1	1. L 08	EAC	8022 1	1. G 18	EBC	11362	1. G 09	
AB 61001 J	2. H 02	AJB	1328	1. H 06	BHC	180801		1. M 07	CAC	5328	1. G 09	CBC	7983	1. K 18	CCC	7114	1. M 08	EAC	8022 1	1. F 07	EBC	11362	1. G 10	
ACU 1812	3. C 03	AJB	1330	1. D 10	BH	180101		1. M 08	CAC	5846	1. K 18	CBC	7714	1. F 03	CCC	7131	1. L 02	EAC	8022 26	1. G 18	FA	10510 J	1. D 08	
ADU 608083	2. M 15	AJB	1343	1. G 10	BH	112091 J		1. L 03	CAC	6332	1. K 18	CBC	7714	1. F 07	CCC	7132	1. L 02	EAC	8022 26	1. F 03	FAM	8908 J	1. M 05	
ADU 9028	2. C 16	AJB	1343	1. G 03	BH	112111		1. L 03	CAC	6933	1. K 17	CBC	7804	1. G 12	CCC	7139	1. L 02	EAC	8022 26	1. F 07	FAM	8908 J	1. M 04	
ADU 9028	2. C 02	AJB	1367	1. G 03	BH	112131 J		1. L 05	CAC	7925 3	1. L 09	CBC	7804	1. G 13	CCC	7350	1. L 02	EAC	8022 30	1. F 05	FB	180801 J	3. D 05	
ADI 9028	2. C 04	AJB	1443	1. D 04	BH	212091 MJ		1. L 03	CAC	7780 1	1. J 08	CBC	7804	1. G 14	CZK	4308 J	1. O 03	EAC	8022 32	1. F 06	FB	110081 J	1. K 10	
ADU 9028	3. I 04	AJU	1136	1. N 13	BJC	1023		3. G 11	CAC	7835	1. J 03	CBC	7004	1. G 09	DA	608043	2. J 17	EAC	8022 36	1. F 03	FB	110171 J	1. K 09	
ADU 9028	1. F 16	AJK	608141 J	3. E 14	BJC	1024		3. G 11	CAC	8226	1. L 03	CBC	7804	1. G 10	DA	608043	2. J 08	EAC	8100	1. G 04	FB	112131	1. L 05	
ADU 9028	1. H 07	AK	610021	2. K 09	C	2296 7		2. F 03	CAC	8603	1. M 08	CBC	7804	1. G 11	DA	610051	2. K 08	EAW	405	1. K 02	FJA	1070AF	3. G 17	
ADU 9028	2. C 05	AK	610021	2. K 04	C	2296 7		2. C 17	CAC	8693	1. K 18	CBC	8067	1. J 14	DA	610051	2. K 04	EAZ	1288	1. D 12	FJA	1071AE	3. G 17	
ADU 9028	2. C 08	AK	610021	2. K 02	C	5574		2. C 02	CAC	8715	1. M 04	CBC	8156	1. G 07	DA	610051	2. K 02	EAZ	1289	1. D 15	FJA	1102AB	3. G 02	
ADU 9028	2. C 12	AK	610021	2. K 06	C	8016		2. G 03	CAC	8773	1. F 03	CBC	8156	2. C 05	DA	610051	2. K 06	EAZ	1288	1. D 16	FJA	1104AA	3. G 02	
ADU 9028	2. C 13	AN	103011	2. J 17	C	15644		1. G 18	CAC	8773	1. G 15	CBC	8156	2. C 08	DAC	4027 1	2. C 05	EAZ	1314	1. E 04	FJA	1105AD	3. G 02	
AGU 1058 J	1. J 11	AN	103011	2. J 08	C	15644		1. G 17	CAC	8774	1. G 08	CBC	8156	2. C 10	DAC	4027 10	1. K 03	EAZ	1314	1. E 03	FJA	1124AB	3. G 13	
AGU 1498	1. J 10	AG	3859	3. C 10	C	15644		1. F 03	CAC	8774	1. G 12	CBC	8156	2. C 13	DAC	4027 8	2. C 05	EAZ	1317	1. E 04	FJA	1125AB	3. G 13	
AGU 1534	2. O 07	BAC	3859	3. C 11	C	15644		1. F 07	CAC	8774	1. G 13	CBC	8174	1. J 14	DAC	4027 8	2. C 07	EAZ	1354	3. I 09	FJA	1170AC	3. G 08	
AGU 1548	1. K 18	BAC	4319	3. G 03	C	17432		1. O 03	CAC	8774	1. G 14	CBC	8207	1. K 18	DAC	4811	2. H 05	EAZ	1354	3. I 10	FJA	1171AC	3. G 08	
AGU 2020	3. D 08	BAC	4316	3. G 02	C	17432		2. C 13	CAC	8774	1. G 09	CBC	8261	1. H 03	DAC	6421	1. O 08	EAZ	1354	1. D 09	FJA	1304AE	3. G 09	
AGU 2020	1. F 16	BBC	7525	LEG...	3. C 03	C	21069		2. K 10	CAC	8774	1. G 10	CBC	8986	1. J 14	DAC	6797	1. C 13	EAZ	1483	1. D 13	FJA	1304AE	3. G 10
AGU 2020	2. H 02	BBC	7525	LEG...	2. N 14	C	22053		1. G 12	CAC	8774	1. G 11	CBC	9505 1	1. K 17	DAC	7775 3	2. F 02	EAZ	1804	1. D 13	FJA	1305AE	3. G 09
AGU 2020	2. H 03	BBC	7525	LEG...	2. N 11	C	22053		1. G 13	CAC	3777 1	1. F 05	CBC	9505 10	1. K 17	DAC	10997	1. G 08	EAZ	1954	1. E 04	FJA	1305AE	3. G 10
AGU 2022	1. F 16	BBC	2534	3. M 08	C	22053		1. G 14	CAC	8777 1	1. F 07	CBC	9505 11	1. K 17	DBC	5807	2. C 14	EAZ	2027	1. D 08	FJA	1320AF	3. G 09	
AGU 2022	1. F 06	BCC	2824	3. E 16	C	22053		1. G 09	CAC	8962 2	1. G 07	CBC	9505 12	1. K 17	DBC	5965	3. D 11	EAZ	2050	1. E 08	FJA	1320BD	3. G 10	
AGU 2229	AEK...	2. N 13	BCC	2826	3. E 17	C	22053		1. G 10	CAC	8968 2	1. G 07	CBC	9505 13	1. K 17	DBC	5965	3. D 10	EAZ	2050	1. E 09	FJA	1321AF	3. G 09
AGU 2229	AEK...	2. N 10	BCC	2830	3. E 17	C	22053		1. G 11	CAC	8979	1. L 05	CBC	9505 14	1. K 17	DBC	10203	1. G 07	EAZ	2050	1. E 12	FJA	1321BD	3. G 10
AGU 2229	HDX...	2. N 13	BCC	6322	1. G 08	C	22054		1. G 12	CAC	9068	1. J 08	CBC	9505 15	1. K 17	DBC	10203	1. F 16	EAZ	2060	1. D 10	FJA	1330AE	3. G 12
AGU 2229	HDX...	2. N 10	BCC	7849	3. E 09	C	2205		1. G 13	CAC	9071	1. J 08	CBC	9505 16	1. K 17	DBC	10562	1. F 16	EAZ	2060	1. E 08	FJA	1330AF	3. G 12
AGU 2229	HF2	2. N 13	BCC	7849	3. K 05	C	22054		1. G 14	CAC	9252	1. M 03	CBC	9505 17	1. K 17	DBC	10684	2. C 14	EAZ	2060	1. E 09	FJA	1331AE	3. G 12
AGU 2229	HF2	2. N 10	BCC	7849	3. D 13	C	22054		1. G 09	CAC	9330	1. L 03	CBC	9505 18	1. K 17	DBC	10854	1. G 08	EAZ	2060	1. E 10	FJA	1331AF	3. G 12
AGU 2229	LFM	2. N 13	BCC	9610	2. K 19	C	22054		1. G 10	CAC	9493 50	1. L 02	CBC	9505 19	1. K 17	DBC	11071	1. J 10	EAZ	2061	1. D 10	FJA	1342AD	3. G 06
AGU 2229	LFN	2. N 10	BD	21899	1. G 08	C	22054		1. G 11	CAC	9494 65	1. L 02	CBC	9505 2	1. K 17	DBC	11314	2. H 11	EAZ	2061	1. E 10	FJA	1342AE	3. G 06
AGU 2229	LFN	2. N 13	BD	37521	2. C 17	C	27328 32		1. M 02	CAP	225	3. G 09	CBC	9505 20	1. K 17	DBC	11314	2. H 02	EAZ	2114	1. D 15	FJA	1342BE	3. G 11
AGU 2229	LFN	2. N 10	BD	38420 2	2. C 04	C	29802		1. G 07	CAP	225	3. G 10	CBC	9505 21	1. K 17	DBC	11314	2. H 03	EAZ	2126	1. D 15	FJA	1343AD	3. G 06
AGU 2229	SDC...	2. N 13	BD	15049 3	3. E 04	C	29302		1. F 03	CBC	1448	1. K 03	CBC	9505 22	1. K 17	DBC	11380	2. H 09	EAZ	2153	1. H 08	FJA	1343AE	3. G 06
AGU 2229	SDC...	2. N 10	BD	48954	3. C 09	C	31973 6		2. O 08	CBC	1448	1. M 11	CBC	9505 23	1. K 17	DBC	11381	2. H 08	EAZ	2159	1. D 06	FJA	1343BF	3. G 11
AGU 2292	2. C 03	BD	48954	2. M 11	C	21873 8		3. H 02	CBC	1594	1. L 02	CBC	9505 24	1. K 17	DBC	11381	2. H 11	EAZ	2159	1. D 10	FJA	1343BE	3. G 11	
AGU 2388 J	3. C 17	BD	48964	1. F 16	C	33600 1		1. G 06	CBC	1706	1. K 18	CBC	9505 25	1. K 17	DBC	11381	2. H 09	EAZ	2159	1. D 13	FJA	1400AC	3. G 09	
AGU 2436 J	1. N 06	BD	48977	2. M 02	C	37021		1. G 17	CBC	1751	1. J 08	CBC	9505 2C	1. K 17	DBC	11301	2. H 02	EAZ	2159	1. D 17	FJA	1400AC	3. G 10	
AGU 2436 J	2. C 03	BDD	4358	2. C 02	C	41712		1. M 03	CBC	2268	1. J 13	CBC	9505 3	1. K 17	DBC	11381	2. H 03	EAZ	2159	1. D 08	FJA	1401AC	3. G 09	
AGU 2436 J	3. C 02	BDD	7550	3. D 08	C	45059		1. N 15	CBC	2964	1. L 05	CBC	9505 4	1. K 17	DBC	11382	2. H 11	EAZ	2159	1. K 04	FJA	1401AC	3. G 10	
AGU 2436 J	2. C 08	BDD	7616	3. D 08	C	46021		1. D 06	CBC	2635	1. L 03	CBC	9505 6	1. K 17	DBC	11406	2. H 07	EBC	4435	1. D 08	FJA	1406AE	3. G 09	
AGU 2436 J	2. C 13	BDD	9567	2. M 07	C	46294		1. K 05	CBC	4681	1. M 02	CBC	9505 7	1. K 17	DBC	11406	2. H 02	EBC	4898	1. J 05	FJA	1406AE	3. G 10	
AGU 2530	2. N 17	BEC	9188	3. G 09	C	46294		1. F 03	CBC	4705	1. K 18	DBC	9505 8	1. K 17	DBC	11406	2. H 03	EBC	9072	1. G 07	FJA	1407AE	3. G 09	
AGU 2555 J	1. N 04	BEC	9188	3. G 10	C	45294		1. F 07	CBC	4806 35	1. J 13	CBC	9505 9	1. K 17	DBC	11711	2. H 11	EBC	9257 7	1. I 03	FJA	1407AE	3. G 10	
AGU 2580	1. J 11	BEC	9308	2. K 09	C	46294		3. H 08	CBC	4806 40	1. J 13	CCC	2047	1. M 02	DBC	12255	2. H 11	EBC	9257 7	1. I 02	FJA	1628AE	3. G 12	
AGU 2711	2. N 13	BEC	9309	2. K 09	C	46294		3. H 09	CBC	4806 45	1. J 13	CCC	2930	1. L 06	DBC	12285	2. H 02	EBC	9606	1. G 12	FJA	1629AE	3. G 12	
AGU 2711	2. N 19	BEC	13584	3. D 05	CAC	1078		2. K 11	CBC	4806 50	1. J 13	CCC	2813	1. K 17	DBC	12285	2. H 03	EBC	9606	1. G 13	FJA	1842AB	3. G 07	
AGU 2722	1. M 05	BEC	17370	3. E 08	CAC	1742		1. M 02	CBC	4806 55	1. J 13	CCC	4466	1. K 17	DBC	12286								

Jaguar XK8 Coupe/Convertible - Canada/USA

J02

NUMERIC INDEX "FJA1866AD" TO "GJA2489ACLEG"

Fiche 3

FJA 1866AD	3.G 07	FJA 3990AG	3.G 06	FS 106165 J	1.G 05	GJA 1065AC	3.D 10	GJA 1205BA NDR	2.M 17	GJA 1327BB SDZ	2.N 02	GJA 2428CH AGD	2.M 13	GJA 2447AA LEG	2.M 12
FJA 188CAE	3.G 07	FJA 3991AG	3.G 06	FS 108165 P	1.K 03	GJA 1080FE	3.E 04	GJA 1205BA NED	2.M 17	GJA 1327BB SDZ	2.N 02	GJA 2428CH HDX	2.M 13	GJA 2447AA LEG	2.M 15
FJA 1916AE	3.G 12	FJA 4059AE	3.G 07	FS 108165 P	1.F 09	GJA 1081DG	3.E 04	GJA 1205BA SDZ	2.M 17	GJA 1358AB	2.N 02	GJA 2428CH LEG	2.M 13	GJA 2447AA NDR	2.M 12
FJA 1917AE	3.G 12	FJA 4141AG	3.G 13	FS 108201 J	1.K 18	GJA 1100BC AEK	3.D 14	GJA 1205BA SDZ	2.M 17	GJA 1358AB	2.N 02	GJA 2428CH NDR	2.M 13	GJA 2447AA NDR	2.M 15
FJA 1974AD	3.G 12	FJA 4141AJ	3.G 13	FS 108251 J	1.J 11	GJA 1100BC AGE	3.D 14	GJA 1237AA	2.N 02	GJA 1384CC	2.N 08	GJA 2428CH NED	2.M 13	GJA 2447AA NED	2.M 12
FJA 1975AD	3.G 12	FJA 4141BB	3.G 13	FS 108121 J	1.D 08	GJA 1100BC HDV	3.D 14	GJA 1270FE AGD	2.M 17	GJA 1384FA	2.N 08	GJA 2428CH SDZ	2.M 13	GJA 2447AA NED	2.M 15
FJA 1990AC	3.G 06	FJA 4153AE	3.G 13	FS 108121 J	3.G 16	GJA 1100BC LEG	3.D 14	GJA 1270FE HDX	2.M 17	GJA 1385CC	2.N 08	GJA 2428CH SDZ	2.M 13	GJA 2447AA SDC	2.M 12
FJA 1991AC	3.G 06	FJA 4161AD	3.G 13	FS 108181	1.M 11	GJA 1100BC SDC	3.D 14	GJA 1270FE LEG	2.M 17	GJA 1385EA	2.N 08	GJA 2429AF AGD	2.M 09	GJA 2447AA SDC	2.M 15
FJA 1992AC	3.G 07	FJA 4170AA	3.G 06	FS 108161 J	1.I 03	GJA 1101BC AEK	3.D 14	GJA 1270FE NDR	2.M 17	GJA 1614BE	2.N 02	GJA 2429AF HDX	2.M 09	GJA 2447AA SDZ	2.M 12
FJA 1993AC	3.G 07	FJA 4171AA	3.G 06	FS 108161 J	1.F 16	GJA 1101BC AGE	3.D 14	GJA 1270FE SDZ	2.M 17	GJA 1614CD	2.N 02	GJA 2429AF LEG	2.M 09	GJA 2447AA SDZ	2.M 15
FJA 2016AC	3.G 06	FJA 4422AC	3.G 07	FS 108201	3.E 08	GJA 1101BC HDV	3.D 14	GJA 1270FF AGD	2.M 17	GJA 1615BE	2.N 02	GJA 2429AF NDR	2.M 09	GJA 2448AB AGD	2.M 11
FJA 2017AC	3.G 06	FJA 4423AC	3.G 07	FS 108201 M	1.N 08	GJA 1101BC LEG	3.D 14	GJA 1270FF HDX	2.M 17	GJA 1615CC	2.N 02	GJA 2429AF NED	2.M 09	GJA 2448AB HDX	2.M 11
FJA 2032AD	3.G 07	FJA 4482AA	3.G 07	FS 108251 J	1.F 09	GJA 1101BC SDZ	3.D 14	GJA 1270FF LEG	2.M 17	GJA 1710AF	3.E 07	GJA 2429AF SDZ	2.M 09	GJA 2448AB LEG	2.M 11
FJA 2033AD	3.G 07	FJA 4483AA	3.G 07	FS 108301 J	1.M 02	GJA 1108AC AEK	3.D 15	GJA 1270FF NDR	2.M 17	GJA 1710AF	3.E 08	GJA 2429AF SDZ	2.M 09	GJA 2448AB NDR	2.M 11
FJA 2177AA	3.G 13	FJB 3005AA	3.G 17	FS 110251 P	1.L 03	GJA 1108AC AGE	3.D 15	GJA 1270FF NED	2.M 17	GJA 1711AF	3.E 07	GJA 2429CF AGD	2.M 13	GJA 2448AB NED	2.M 11
FJA 2232AB	3.G 11	FJB 3019AA	3.G 17	FW 105 T	1.M 02	GJA 1108AC HDV	3.D 15	GJA 1270FF SDZ	2.M 17	GJA 1711AF	3.E 08	GJA 2429CF HDX	2.M 13	GJA 2448AB SDC	2.M 11
FJA 2232AC	3.G 06	FJB 3019BA	3.G 17	FX 108041 J	2.F 05	GJA 1108AC LEG	3.D 15	GJA 1270FF SDZ	2.M 17	GJA 1716AB	3.E 07	GJA 2429CF LEG	2.M 13	GJA 2448AB SDZ	2.M 11
FJA 2233AB	3.G 11	FJB 3100A 01	3.G 02	FX 108041 J	1.M 02	GJA 1108AC SDC	3.D 15	GJA 1270HC AGD	2.M 18	GJA 1716AB	3.E 09	GJA 2429CF NDR	2.M 13	GJA 2449AB AGD	2.M 11
FJA 2233AC	3.G 06	FJB 3100BA 01	3.G 03	GHF 9539AG	AGD...2.N 14	GJA 1154AC AEK	3.D 14	GJA 1270HC LEG	2.M 18	GJA 1718AA	3.D 11	GJA 2429CF SDZ	2.M 13	GJA 2449AB HDX	2.M 11
FJA 2613AB	3.G 07	FJB 3868AA	3.G 07	GHF 9539AG	AGD...2.N 11	GJA 1154AC AGE	3.D 14	GJA 1270HC NDR	2.M 18	GJA 1718AA	3.D 10	GJA 2429CH AGD	2.M 13	GJA 2449AB LEG	2.M 11
FJA 2930AB	3.G 03	FJB 4059AA	3.G 07	GHF 9539AG	AGD...2.N 14	GJA 1154AC HDV	3.D 14	GJA 1270HD AGD	2.M 18	GJA 1718BA	3.D 11	GJA 2429CH HDX	2.M 13	GJA 2449AB NDR	2.M 11
FJA 2939AB	3.G 03	FN 105041	3.E 06	GHF 9539AG	HDX...2.N 11	GJA 1154AC LEG	3.D 14	GJA 1270HD LEG	2.M 18	GJA 1718BA	3.D 10	GJA 2429CH LEG	2.M 13	GJA 2449AB NED	2.M 11
FJA 3005AD	3.G 17	FN 106041	3.D 08	GHF 9539AG	LEG...2.N 14	GJA 1154AC SDC	3.D 14	GJA 1270HD NDR	2.M 18	GJA 1730AD	3.D 12	GJA 2429CH NDR	2.M 13	GJA 2449AB SDC	2.M 11
FJA 3010AC	3.G 17	FN 106041	1.J 09	GHF 9539AG	LEG...2.N 11	GJA 1154BC AEK	3.D 14	GJA 1270HD NED	2.M 18	GJA 1731AD	3.D 12	GJA 2429CH NED	2.M 13	GJA 2449AB SDZ	2.M 11
FJA 3010AD	3.G 17	FN 106041 J	3.D 04	GHF 9539AG	NDR...2.N 14	GJA 1154BC AGE	3.D 14	GJA 1271FE AGD	2.M 18	GJA 1732AB	3.D 12	GJA 2429CH SDZ	2.M 13	GJA 2486AC AGD	2.L 05
FJA 3011AC	3.G 17	FN 106041 J	2.C 17	GHF 9539AG	NDR...2.N 11	GJA 1154BC HDV	3.D 14	GJA 1271FE HDX	2.M 18	GJA 1733AB	3.D 12	GJA 2429CH SDZ	2.M 13	GJA 2486AC HDX	2.L 05
FJA 3011AD	3.G 17	FN 106041 J	2.C 02	GHF 9539AG	NED...2.N 14	GJA 1154BC LEG	3.D 14	GJA 1271FE LEG	2.M 18	GJA 1744AA	3.D 11	GJA 2430AA	2.M 15	GJA 2486AC LEG	2.L 05
FJA 3019AG	3.G 17	FN 106041 J	2.D 02	GHF 9539AG	NED...2.N 11	GJA 1154BC SDC	3.D 14	GJA 1271FE NDR	2.M 18	GJA 1744AA	3.D 10	GJA 2438AB AGD	2.M 09	GJA 2486AC NDR	2.L 05
FJA 3019BF	3.G 17	FN 106041 J	2.H 08	GHF 9539AG	SDC...2.N 14	GJA 1155AC AEK	3.D 14	GJA 1271FE SDZ	2.M 18	GJA 1790AD	2.N 02	GJA 2438AB HDX	2.M 09	GJA 2486AC NED	2.L 05
FJA 3026AD	3.G 17	FN 106041 J	2.H 05	GHF 9539AG	SDC...2.N 11	GJA 1155AC AGE	3.D 14	GJA 1271FE AGD	2.M 18	GJA 1791AD	2.N 02	GJA 2438AB LEG	2.M 09	GJA 2486AC SDC	2.L 05
FJA 3026AE	3.G 17	FN 106041 J	2.H 06	GHF 9539AG	SDZ...2.N 14	GJA 1155AC HDV	3.D 14	GJA 1271FE HDX	2.M 18	GJA 1798AB	2.N 02	GJA 2438AB NDR	2.M 09	GJA 2486AC SDZ	2.L 05
FJA 3027AD	3.G 17	FN 106041 J	2.I 02	GHF 9539AG	SDZ...2.N 11	GJA 1155AC LEG	3.D 14	GJA 1271FE LEG	2.M 18	GJA 1799AB	2.N 02	GJA 2438AB NED	2.M 09	GJA 2487AC AGD	2.M 10
FJA 3027AE	3.G 17	FN 106041 J	1.J 10	GJA 1000AG	3.D 10	GJA 1155AC SDC	3.D 14	GJA 1271FE NDR	2.M 18	GJA 1982AE	3.E 06	GJA 2438AB SDC	2.M 09	GJA 2487AC HDX	2.M 10
FJA 3028AE	3.G 17	FN 106041 J	1.F 16	GJA 1000BG	3.D 11	GJA 1155BC AEK	3.D 14	GJA 1271FE NED	2.M 18	GJA 2034AA	3.D 11	GJA 2138AB SDZ	2.M 09	GJA 2487AC LEG	2.M 10
FJA 3029AE	3.G 17	FN 106041 J	1.F 09	GJA 1001AG	3.D 10	GJA 1155BC AGE	3.D 14	GJA 1271FE SDZ	2.M 18	GJA 2034AA	3.D 10	GJA 2438AB AGD	2.M 09	GJA 2487AC NDR	2.M 10
FJA 3032AA	3.G 17	FN 106041 J	3.H 03	GJA 1001BG	3.D 11	GJA 1155BC HDV	3.D 14	GJA 1271FE SDZ	2.M 18	GJA 2200BF	3.C 12	GJA 2438AC HDX	2.M 09	GJA 2487AC NED	2.M 10
FJA 3033AA	3.G 17	FN 108041 J	2.C 17	GJA 1014AE	3.D 11	GJA 1155BC LEG	3.D 14	GJA 1271HC AGD	2.M 18	GJA 2201BF	3.C 12	GJA 2438AC LEG	2.M 09	GJA 2487AC SDC	2.M 10
FJA 3042AC	3.E 06	FN 105041 J	1.O 04	GJA 1014AE	3.D 10	GJA 1155BC SDC	3.D 14	GJA 1271HC LEG	2.M 18	GJA 2230AF	3.C 12	GJA 2438AC NED	2.M 09	GJA 2487AC SDZ	2.M 10
FJA 3043AC	3.E 06	FN 108041 J	2.C 03	GJA 1015AE	3.D 11	GJA 1158AA	3.E 04	GJA 1271HC NDR	2.M 18	GJA 2231AF	3.C 12	GJA 2438AC SDZ	2.M 09	GJA 2487BA AGD	2.M 15
FJA 3044AA	3.E 06	FN 108041 J	2.C 06	GJA 1015AE	3.D 10	GJA 1204AA AGF	2.M 18	GJA 1271HD AGD	2.M 18	GJA 2242AJ	3.E 18	GJA 2439AB AGD	2.M 09	GJA 2487BA HDX	2.M 15
FJA 3045AA	3.E 06	FN 108041 J	2.C 06	GJA 1016AE	3.D 11	GJA 1204AA LGE	2.M 18	GJA 1271HD LEG	2.M 18	GJA 2243AJ	3.E 18	GJA 2439AB HDX	2.M 10	GJA 2487BA LEG	2.M 15
FJA 3089AF	3.G 09	FN 110041 J	1.M 08	GJA 1018AE	3.D 10	GJA 1204AA WEB	2.M 18	GJA 1271HD NDR	2.M 18	GJA 2248BC	3.E 18	GJA 2439AB LEG	2.M 10	GJA 2487BA NED	2.M 15
FJA 3089AF	3.G 10	FN 110041 J	1.K 10	GJA 1016AF	3.D 11	GJA 1204BA AGD	2.M 18	GJA 1271HD NED	2.M 18	GJA 2249BC	3.E 18	GJA 2439AB NDR	2.M 10	GJA 2487BA NED	2.M 15
FJA 3100AE 01	3.G 02	FN 110041 J	1.K 09	GJA 1018AF	3.D 10	GJA 1204BA HDX	2.M 18	GJA 1326BB AGD	2.N 02	GJA 2423AF	AGD...2.M 09	GJA 2439AD NED	2.M 10	GJA 2487BA SDC	2.M 15
FJA 3100BD 01	3.G 03	FNA 1019AA	3.D 04	GJA 1017AF	3.D 11	GJA 1204BA LEG	2.M 18	GJA 1326BB HDX	2.N 02	GJA 2428AF	AGD...2.M 09	GJA 2439AB SDZ	2.M 10	GJA 2487BA SDZ	2.M 15
FJA 3100BE 01	3.G 03	FS 105121 J	2.G 04	GJA 1017AF	3.D 10	GJA 1204BA NDR	2.M 18	GJA 1326BB LEG	2.N 02	GJA 2428AF	LEG...2.M 09	GJA 2439AB SDZ	2.M 10	GJA 2488AC AGD	2.L 05
FJA 3104BD	3.G 14	FS 105121 J	2.G 06	GJA 1049AC	3.D 11	GJA 1204BA NED	2.M 18	GJA 1326BB NDR	2.N 02	GJA 2423AF	NDR...2.M 09	GJA 2439AC AGD	2.M 10	GJA 2488AC HDX	2.L 05
FJA 3106BA	3.G 04	FS 105121 J	2.G 07	GJA 1049AC	3.D 10	GJA 1204BA SDC	2.M 18	GJA 1326BB NED	2.N 02	GJA 2428AF	NED...2.M 09	GJA 2439AC HDX	2.M 10	GJA 2488AC LEG	2.L 05
FJA 3324AB	3.G 06	FS 105181 J	2.L 03	GJA 1051AC	3.D 11	GJA 1204BA SDZ	2.M 18	GJA 1326BB SDZ	2.N 02	GJA 2428AF	SDZ...2.M 09	GJA 2439AC LEG	2.M 10	GJA 2488AC NDR	2.L 05
FJA 3325AB	3.G 06	FS 108101 J	1.F 03	GJA 1051AC	3.D 10	GJA 1205AA AGF	2.M 18	GJA 1326BB SDZ	2.N 02	GJA 2428AF	SDZ...2.M 09	GJA 2439AC NED	2.M 10	GJA 2488AC NED	2.L 05
FJA 3669BA	3.G 11	FS 108125	1.N 15	GJA 1052AC	3.D 11	GJA 1205AA LGE	2.M 16	GJA 1327BB AGD	2.N 02	GJA 2428CF	AGD...2.M 13	GJA 2439AC SDZ	2.M 10	GJA 2488AC SDC	2.L 05
FJA 3668BA	3.G 14	FS 108141 J	1.F 09	GJA 1052AC	3.D 10	GJA 1205AA NED	2.M 18	GJA 1327BB HDX	2.N 02	GJA 2428CF	HDX...2.M 13	GJA 2447AA AGD	2.M 12	GJA 2488AC SDZ	2.L 05
FJA 3848AF	3.G 07	FS 108161 M	2.E 04	GJA 1053AC	3.D 11	GJA 1205BA AGD	2.M 17	GJA 1327BB LEG	2.N 02	GJA 2428CF	LEG...2.M 13	GJA 2447AA AGD	2.M 15	GJA 2489AC AGD	2.M 11
FJA 3849AF	3.G 07	FS 109165 J	1.G 07	GJA 1053AC	3.D 10	GJA 1205BA HDX	2.M 17	GJA 1327BB NDR	2.N 02	GJA 2428CF	NDR...2.M 13	GJA 2447AA HDX	2.M 12	GJA 2489AC HDX	2.M 11
FJA 3866AD	3.G 07	FS 109165 J	1.G 04	GJA 1065AC	3.D 11	GJA 1205BA LEG	2.M 17	GJA 1327BB NED	2.N 02	GJA 2428CF	SDZ...2.M 13	GJA 2447AA HDX	2.M 15	GJA 2489AC LEG	2.M 11

GJA 2489AC NDR .. 2 M 11	GJA 3890AD	2 C 15	GJA 4437EA AGD .. 2 J 10	GJA 4732AA HDX .. 2 J 10	GJA 4760AB AGD .. 2 J 07	GJA 5368AA AGF .. 2 K 06	GJA 5589BA SDC .. 2 K 03	GJA 6438AB NED .. 2 N 06
GJA 2489AC NED .. 2 M 11	GJA 3892AA	2 C 15	GJA 4437EA LEG .. 2 J 10	GJA 4732AA HDX .. 2 J 10	GJA 4760AB HDX .. 2 J 16	GJA 5368AA LGE .. 2 K 06	GJA 6009AF AGD .. 2 O 04	GJA 6438AB SDC .. 2 N 06
GJA 2489AC SDC .. 2 M 11	GJA 4220BA	2 K 09	GJA 4437EA NDR .. 2 J 10	GJA 4732AA LEG .. 2 J 14	GJA 4760AB HDX .. 2 J 07	GJA 5368AA NEB .. 2 K 06	GJA 6009AF HDX .. 2 O 04	GJA 6438AB SDZ .. 2 N 06
GJA 2489AC SDZ .. 2 M 11	GJA 4220BB	2 K 09	GJA 4500AA AGF .. 2 J 09	GJA 4732AA LEG .. 2 J 05	GJA 4760AB LEG .. 2 J 15	GJA 5368EA AGD .. 2 K 06	GJA 6009AF LEG .. 2 O 04	GJA 6439AD .. 2 N 07
GJA 2494AA .. 2 M 12	GJA 4221BA	2 K 09	GJA 4500AA LGE .. 2 J 09	GJA 4732AA NDR .. 2 J 14	GJA 4760AB LEG .. 2 J 07	GJA 5368EA LEG .. 2 K 06	GJA 6009AF NDR .. 2 O 04	GJA 6600AC AEK .. 2 N 05
GJA 2495AA .. 2 M 12	GJA 4221BB	2 K 09	GJA 4500AA NEB .. 2 J 09	GJA 4732AA NDR .. 2 J 14	GJA 4760AB NDR .. 2 J 16	GJA 5368EA NDR .. 2 K 06	GJA 6009AF SDC .. 2 O 04	GJA 6600AC AGE .. 2 N 05
GJA 2496AA AGD .. 2 M 14	GJA 4230CA	2 K 09	GJA 4500EA AGD .. 2 J 09	GJA 4732AA SDC .. 2 J 14	GJA 4760AB NDR .. 2 J 07	GJA 5368AA AGF .. 2 K 08	GJA 6009AG AGD .. 2 O 04	GJA 6600AC HDV .. 2 N 05
GJA 2496AA HDX .. 2 M 14	GJA 4230CB	2 K 09	GJA 4500EA LEG .. 2 J 10	GJA 4732AA SDC .. 2 J 05	GJA 4760AB SDC .. 2 J 07	GJA 5368AA LGE .. 2 K 08	GJA 6009AG HDX .. 2 O 04	GJA 6600AC LEG .. 2 N 05
GJA 2496AA LEG .. 2 M 14	GJA 4231CA	2 K 09	GJA 4500EA NDR .. 2 J 10	GJA 4733AA AGD .. 2 J 14	GJA 4760AB SDC .. 2 J 07	GJA 5368AA NEB .. 2 K 08	GJA 6009AG NDR .. 2 O 04	GJA 6600AC SDZ .. 2 N 05
GJA 2496AA NDR .. 2 M 14	GJA 4231CB	2 K 09	GJA 4504AA .. 2 K 09	GJA 4733AA AGD .. 2 J 05	GJA 4762AA AGD .. 2 J 16	GJA 5368EA AGD .. 2 K 08	GJA 6009AG SDZ .. 2 O 04	GJA 6600AD AEK .. 2 N 05
GJA 2496AA SDC .. 2 M 14	GJA 4300AA	2 J 11	GJA 4600AA AGD .. 2 J 12	GJA 4733AA HDX .. 2 J 14	GJA 4762AA AGD .. 2 J 07	GJA 5368EA LEG .. 2 K 08	GJA 6009AG SDC .. 2 O 04	GJA 6600AD AGE .. 2 N 05
GJA 2496AC AGD .. 2 M 14	GJA 4300AA	2 J 03	GJA 4600AA AGD .. 2 J 03	GJA 4733AA HDX .. 2 J 05	GJA 4762AA HDX .. 2 J 16	GJA 5368EA NDR .. 2 K 08	GJA 6013AB .. 2 O 04	GJA 6600AD HDV .. 2 N 05
GJA 2496AC HDX .. 2 M 14	GJA 4310BA AGD .. 2 J 03	03	GJA 4600AA HDX .. 2 J 12	GJA 4733AA LEG .. 2 J 14	GJA 4762AA HDX .. 2 J 07	GJA 5517AA AGF .. 2 K 05	GJA 6022AE AGD .. 2 O 03	GJA 6600AD LEG .. 2 N 05
GJA 2496AC LEG .. 2 M 14	GJA 4310BA HDX .. 2 J 03	03	GJA 4600AA HDX .. 2 J 03	GJA 4733AA LEG .. 2 J 05	GJA 4762AA LEG .. 2 J 16	GJA 5517AA LGE .. 2 K 05	GJA 6022AE HDX .. 2 O 03	GJA 6600AD SDZ .. 2 N 05
GJA 2496AC NDR .. 2 M 14	GJA 4310BA LEG .. 2 J 03	03	GJA 4600AA LEG .. 2 J 12	GJA 4733AA NDR .. 2 J 14	GJA 4762AA LEG .. 2 J 07	GJA 5517AA NEB .. 2 K 05	GJA 6022AE LEG .. 2 O 03	GJA 6601AC AEK .. 2 N 05
GJA 2496AC NED .. 2 M 14	GJA 4310BA NDR .. 2 J 03	03	GJA 4600AA LEG .. 2 J 03	GJA 4733AA NDR .. 2 J 05	GJA 4762AA NDR .. 2 J 16	GJA 5517EA AGD .. 2 K 05	GJA 6022AE NDR .. 2 O 03	GJA 6601AC AGE .. 2 N 05
GJA 2496AC SDC .. 2 M 14	GJA 4310BA SDZ .. 2 J 03	03	GJA 4600AA NDR .. 2 J 12	GJA 4733AA SDC .. 2 J 14	GJA 4762AA NDR .. 2 J 07	GJA 5517EA LEG .. 2 K 05	GJA 6022AE NED .. 2 O 03	GJA 6601AC HDV .. 2 N 05
GJA 2496AC SDZ .. 2 M 14	GJA 4316AA AGF .. 2 J 11	11	GJA 4600AA NDR .. 2 J 03	GJA 4733AA SDC .. 2 J 05	GJA 4762AA SDC .. 2 J 16	GJA 5517EA NDR .. 2 K 05	GJA 6022AE SDC .. 2 O 03	GJA 6601AC LEG .. 2 N 05
GJA 2497AA AGD .. 2 M 14	GJA 4316AA LGE .. 2 J 11	11	GJA 4600AA SDC .. 2 J 12	GJA 4740AA NDR .. 2 J 15	GJA 4762AA SDC .. 2 J 07	GJA 5518AA AGF .. 2 K 07	GJA 6022AE SDZ .. 2 O 03	GJA 6601AC SDZ .. 2 N 05
GJA 2497AA HDX .. 2 M 14	GJA 4316AA NEB .. 2 J 11	11	GJA 4600AA SDC .. 2 J 05	GJA 4740AA NDR .. 2 J 08	GJA 4778AA .. 2 K 09	GJA 5518AA LGE .. 2 K 07	GJA 6022AF AGD .. 2 O 03	GJA 6601AD AEK .. 2 N 05
GJA 2497AA LEG .. 2 M 14	GJA 4318EA AGD .. 2 J 11	11	GJA 4601AA AGD .. 2 J 12	GJA 4740AA SDC .. 2 J 15	GJA 4778AB .. 2 K 09	GJA 5518AA NEB .. 2 K 07	GJA 6022AF HDX .. 2 O 03	GJA 6601AD AGE .. 2 N 05
GJA 2497AA NDR .. 2 M 14	GJA 4318EA LEG .. 2 J 11	11	GJA 4601AA AGD .. 2 J 04	GJA 4740AA SDC .. 2 J 08	GJA 4802BA .. 2 K 10	GJA 5518EA LEG .. 2 K 07	GJA 6022AF LEG .. 2 O 03	GJA 6601AD HDV .. 2 N 05
GJA 2497AA SDC .. 2 M 14	GJA 4318EA NDR .. 2 J 11	11	GJA 4601AA HDX .. 2 J 12	GJA 4741AA NDR .. 2 J 12	GJA 4803BA .. 2 K 10	GJA 5518EA LEG .. 2 K 07	GJA 6022AF NED .. 2 O 03	GJA 6601AD LEG .. 2 N 05
GJA 2497AB AGD .. 2 M 14	GJA 4402AA .. 2 J 10	10	GJA 4601AA HDX .. 2 J 04	GJA 4741AA NDR .. 2 J 06	GJA 5300BC AGD .. 2 K 02	GJA 5518EA NDR .. 2 K 07	GJA 6022AF SDZ .. 2 O 03	GJA 6601AD SDZ .. 2 N 05
GJA 2497AB HDX .. 2 M 14	GJA 4402AA .. 2 J 02	02	GJA 4601AA LEG .. 2 J 12	GJA 4741AA SDC .. 2 J 15	GJA 5300BC HDX .. 2 K 02	GJA 5524BC AGD .. 2 J 18	GJA 6029AB .. 2 O 04	GJA 6604AA AEK .. 2 N 05
GJA 2497AB LEG .. 2 M 14	GJA 4402BB	2 J 10	GJA 4601AA LEG .. 2 J 04	GJA 4741AA SDC .. 2 J 08	GJA 5300BC LEG .. 2 K 02	GJA 5524BC HDX .. 2 J 18	GJA 6100AA AGD .. 2 N 07	GJA 6604AA AGE .. 2 N 05
GJA 2497AB NDR .. 2 M 14	GJA 4402BB	2 J 02	GJA 4801AA AGD .. 2 J 12	GJA 4742AA AGD .. 2 J 15	GJA 5300BC NDR .. 2 K 02	GJA 5524BC LEG .. 2 J 18	GJA 6100AA HDX .. 2 N 07	GJA 6604AA HDV .. 2 N 05
GJA 2497AB NED .. 2 M 14	GJA 4403AA .. 2 J 10	10	GJA 4801AA NDR .. 2 J 04	GJA 4742AA AGD .. 2 J 06	GJA 5300BC SDC .. 2 K 02	GJA 5524BC LEG .. 2 J 18	GJA 6100AA LEG .. 2 N 07	GJA 6604AA LEG .. 2 N 05
GJA 2497AB SDZ .. 2 M 14	GJA 4403AA .. 2 J 02	02	GJA 4801AA SDC .. 2 J 12	GJA 4742AA HDX .. 2 J 15	GJA 5302AA AGF .. 2 K 06	GJA 5524BC SDC .. 2 J 18	GJA 6100AA NED .. 2 N 07	GJA 6604AA SDC .. 2 N 05
GJA 2497AB SDZ .. 2 M 14	GJA 4403BB	2 J 10	GJA 4801AA SDC .. 2 J 04	GJA 4742AA HDX .. 2 J 06	GJA 5302AA LGE .. 2 K 06	GJA 5528BC AGD .. 2 K 03	GJA 6100AA SDZ .. 2 N 07	GJA 6605AA AEK .. 2 N 05
GJA 3482AA .. 3 D 08	GJA 4403BB	2 J 02	GJA 4711CA .. 2 K 10	GJA 4742AA LEG .. 2 J 15	GJA 5302AA NEB .. 2 K 06	GJA 5528BC HDX .. 2 K 03	GJA 6112AH .. 2 O 03	GJA 6605AA AGE .. 2 N 05
GJA 3482AB .. 3 D 08	GJA 4410BA AGD .. 2 J 02	02	GJA 4713CA .. 2 K 08	GJA 4742AA LEG .. 2 J 06	GJA 5302EA AGD .. 2 K 06	GJA 5528BC LEG .. 2 K 03	GJA 6112AJ .. 2 O 03	GJA 6605AA HDV .. 2 N 05
GJA 3482AA .. 3 D 08	GJA 4410BA HDX .. 2 J 02	02	GJA 4713BA .. 2 K 10	GJA 4742AA NDR .. 2 J 15	GJA 5302EA LEG .. 2 K 06	GJA 5528BC NDR .. 2 K 03	GJA 6121AB AGD .. 2 O 04	GJA 6605AA LEG .. 2 N 05
GJA 3487AA .. 3 D 08	GJA 4410BA LEG .. 2 J 02	02	GJA 4730AA AGD .. 2 J 13	GJA 4742AA NDR .. 2 J 06	GJA 5302FA NDR .. 2 K 05	GJA 5528BC SDC .. 2 K 03	GJA 6121AB HDX .. 2 O 04	GJA 6605AA SDZ .. 2 N 05
GJA 3500AB .. 3 D 08	GJA 4410BA NDR .. 2 J 02	02	GJA 4730AA AGD .. 2 J 04	GJA 4742AA SDC .. 2 J 15	GJA 5304BC AGD .. 2 K 04	GJA 5581AA AGF .. 2 K 05	GJA 6121AB LEG .. 2 O 04	GJA 6606AC AEK .. 2 N 06
GJA 3515AA .. 3 D 08	GJA 4410BA SDC .. 2 J 02	02	GJA 4730AA HDX .. 2 J 13	GJA 4742AA SDC .. 2 J 06	GJA 5304BC HDX .. 2 K 04	GJA 5581AA LGE .. 2 K 05	GJA 6121AB NDR .. 2 O 04	GJA 6606AC AGE .. 2 N 06
GJA 3515AB .. 3 D 08	GJA 4418BA AGD .. 2 J 02	02	GJA 4730AA HDX .. 2 J 04	GJA 4750AB AEK .. 2 K 10	GJA 5304BC LEG .. 2 K 04	GJA 5581AA NEB .. 2 K 05	GJA 6121AB NED .. 2 O 04	GJA 6606AC HDV .. 2 N 06
GJA 3556AB .. 3 D 08	GJA 4418BA HDX .. 2 J 02	02	GJA 4730AA LEG .. 2 J 13	GJA 4750AB HDX .. 2 K 10	GJA 5304BC NDR .. 2 K 04	GJA 5581EA AGD .. 2 K 05	GJA 6121AB SDZ .. 2 O 04	GJA 6606AC LEG .. 2 N 06
GJA 3610AL .. 2 N 15	GJA 4418BA LEG .. 2 J 02	02	GJA 4730AA LEG .. 2 J 04	GJA 4750AB LEG .. 2 K 10	GJA 5304BC SDC .. 2 K 04	GJA 5581EA LEG .. 2 K 05	GJA 6121AB SDZ .. 2 O 04	GJA 6606AC SDZ .. 2 N 06
GJA 3610BM .. 2 N 15	GJA 4418BA NDR .. 2 J 02	02	GJA 4730AA NDR .. 2 J 13	GJA 4750AB SDC .. 2 K 10	GJA 5311AA AGF .. 2 K 08	GJA 5581EA NDR .. 2 K 05	GJA 6132BA .. 2 O 04	GJA 6609AC AEK .. 2 N 06
GJA 3612AM .. 2 N 15	GJA 4418BA SDC .. 2 J 02	02	GJA 4730AA NDR .. 2 J 04	GJA 4751AB AEK .. 2 K 10	GJA 5311AA LGE .. 2 K 08	GJA 5582AA AGF .. 2 K 07	GJA 6401AJ AEK .. 2 N 04	GJA 6609AC AGE .. 2 N 06
GJA 3612BL .. 2 N 15	GJA 4419BA AGD .. 2 J 02	02	GJA 4730AA SDC .. 2 J 14	GJA 4751AB HDX .. 2 K 10	GJA 5311AA NEB .. 2 K 08	GJA 5582AA LEG .. 2 K 07	GJA 6401AJ AGD .. 2 N 04	GJA 6609AC HDV .. 2 N 06
GJA 3612CL .. 2 N 15	GJA 4419BA HDX .. 2 J 02	02	GJA 4730AA SDZ .. 2 J 04	GJA 4751AB LEG .. 2 K 10	GJA 5311EA AGD .. 2 K 08	GJA 5582AA NEB .. 2 K 07	GJA 6401AJ HDV .. 2 N 04	GJA 6609AC LEG .. 2 N 06
GJA 3612DK .. 2 N 15	GJA 4419BA LEG .. 2 J 02	02	GJA 4731AA AGD .. 2 J 13	GJA 4751AB SDC .. 2 K 10	GJA 5311EA LEG .. 2 K 08	GJA 5582EA AGD .. 2 K 07	GJA 6401AJ LEG .. 2 N 04	GJA 6609AC SDZ .. 2 N 06
GJA 3613AL .. 2 N 15	GJA 4419BA NDR .. 2 J 02	02	GJA 4731AA AGD .. 2 J 04	GJA 4760AA AGD .. 2 J 16	GJA 5311EA NDR .. 2 K 08	GJA 5582EA LEG .. 2 K 07	GJA 6401AJ SDC .. 2 N 04	GJA 6617AA AEK .. 2 N 06
GJA 3613BL .. 2 N 15	GJA 4419BA SDC .. 2 J 02	02	GJA 4731AA HDX .. 2 J 13	GJA 4760AA AGD .. 2 J 07	GJA 5380BA AGD .. 2 K 02	GJA 5582EA NDR .. 2 K 07	GJA 6401AN AEK .. 2 N 04	GJA 6617AA AGE .. 2 N 06
GJA 3613AG .. 2 N 17	GJA 4436AA AGF .. 2 J 05	05	GJA 4731AA HDX .. 2 J 04	GJA 4760AA HDX .. 2 J 07	GJA 5380BA HDX .. 2 K 02	GJA 5584BA AGD .. 2 J 18	GJA 6401AN AGE .. 2 N 04	GJA 6617AA HDV .. 2 N 06
GJA 3616BG .. 2 N 17	GJA 4436AA LGE .. 2 J 05	05	GJA 4731AA LEG .. 2 J 13	GJA 4760AA HDX .. 2 J 07	GJA 53805FA .. 2 K 02	GJA 5584BA HDX .. 2 J 18	GJA 6401AN HDV .. 2 N 04	GJA 6617AA LEG .. 2 N 06
GJA 3618AH .. 2 N 15	GJA 4436AA NEB .. 2 J 05	05	GJA 4731AA LEG .. 2 J 04	GJA 4760AA HDX .. 2 J 07	GJA 5380BA NDR .. 2 K 02	GJA 5584BA LEG .. 2 J 18	GJA 6401AN LEG .. 2 N 04	GJA 6617AA SDZ .. 2 N 06
GJA 3618BG .. 2 N 15	GJA 4436EA AGD .. 2 J 10	10	GJA 4731AA NDR .. 2 J 13	GJA 4760AA LEG .. 2 J 07	GJA 5380BA SDC .. 2 K 02	GJA 5584BA NDR .. 2 J 18	GJA 6401AN SDC .. 2 N 04	GJA 6618AA AEK .. 2 N 06
GJA 3620AG .. 2 N 15	GJA 4436EA LEG .. 2 J 10	10	GJA 4731AA NDR .. 2 J 04	GJA 4760AA NDR .. 2 J 16	GJA 5382BB AGD .. 2 K 04	GJA 5584BA SDC .. 2 J 18	GJA 6431AD .. 2 N 07	GJA 6618AA AGE .. 2 N 06
GJA 3622AB .. 2 N 16	GJA 4436EA NDR .. 2 J 10	10	GJA 4731AA SDC .. 2 J 13	GJA 4760AA NDR .. 2 J 07	GJA 5382BB HDX .. 2 K 04	GJA 5589BA AGD .. 2 K 03	GJA 6436AB AGD .. 2 N 06	GJA 6618AA HDV .. 2 N 06
GJA 3760AA LEG .. 2 N 17	GJA 4437AA AGF .. 2 J 09	09	GJA 4731AA SDC .. 2 J 04	GJA 4760AA SDC .. 2 J 14	GJA 5382BB LEG .. 2 K 04	GJA 5589BA HDX .. 2 K 03	GJA 6436AB HDX .. 2 N 06	GJA 6618AA LEG .. 2 N 06
GJA 3800AA .. 3 D 09	GJA 4437AA LGE .. 2 J 09	09	GJA 4732AA AGD .. 2 J 14	GJA 4760AA SDC .. 2 J 07	GJA 5382BB NDR .. 2 K 04	GJA 5589BA LEG .. 2 K 03	GJA 6436AB LEG .. 2 N 06	GJA 6618AA SDC .. 2 N 06
GJA 3800BB .. 3 D 09	GJA 4437AA NEB .. 2 J 09	09	GJA 4732AA AGD .. 2 J 05	GJA 4760AB AGD .. 2 J 16	GJA 5382BB SDC .. 2 K 04	GJA 5589BA NDR .. 2 K 03	GJA 6436AB NDR .. 2 N 06	GJA 6658AA AGD .. 2 N 07

Jaguar XK8 Coupe/Convertible - Canada/USA

J04

Fiche 3

NUMERIC INDEX "GJA6558AAHDX" TO "GJB6009AASDZ"

GJA 6858AA HDX... 2.N 07	GJA 7881AA NED... 2.M 07	GJA 9284AE 2.O 02	GJA 9461BL AEK... 2.N 13	GJB 4437AA AGF... 2.J 09	GJB 4738AA AGD... 2.J 14	GJB 4762AA LEG... 2.J 07	GJB 5368AA AGF... 2.K 06
GJA 6858AA LEG... 2.N 07	GJA 7831AD 2.N 08	GJA 9284EF 2.O 02	GJA 9461BL AEK... 2.N 10	GJB 4437AA LGE... 2.J 09	GJB 4733AA AGD... 2.J 05	GJB 4762'A NED... 2.J 16	GJB 5368AA LGE... 2.K 06
GJA 6858AA NDR... 2.N 07	GJA 7831BB 2.N 08	GJA 9284FE 2.O 02	GJA 9461BL HDX... 2.N 13	GJB 4437EA AGD... 2.J 10	GJB 4733AA HDX... 2.J 14	GJB 4762AA NED... 2.J 07	GJB 5368EA AGD... 2.K 06
GJA 6858AA NED... 2.N 07	GJA 7842AB LEG... 2.M 08	GJA 9320AE 2.O 02	GJA 9461BL HDX... 2.N 10	GJB 4437EA LGE... 2.J 10	GJB 4733AA HDX... 2.J 05	GJB 4762AA SDZ... 2.J 16	GJB 5368EA LEG... 2.K 06
GJA 6858AA SOC... 2.N 07	GJA 7842BC 2.M 08	GJA 9320AG 2.O 02	GJA 9461BL LFN... 2.N 13	GJB 4437EA NED... 2.J 10	GJB 4733AA LEG... 2.J 14	GJB 4762AA SDZ... 2.J 07	GJB 5368EA NED... 2.K 06
GJA 6858AA SDZ... 2.N 07	GJA 7843AB LEG... 2.M 08	GJA 9322AC 1.J 04	GJA 9461BL LFN... 2.N 10	GJB 4600AA AGD... 2.J 12	GJB 4733AA LEG... 2.J 05	GJB 4763AA AGD... 2.J 16	GJB 5369AA AGF... 2.K 06
GJA 6859AA AGD... 2.N 07	GJA 7846AD 2.M 08	GJA 9323AA 1.J 04	GJA 9468AE AEK... 2.N 14	GJB 4600AA AGD... 2.J 03	GJB 4733AA NED... 2.J 14	GJB 4763AA AGD... 2.J 07	GJB 5369AA LGE... 2.K 06
GJA 6859AA HDX... 2.N 07	GJA 7847AD 2.M 08	GJA 9335AF 1.J 04	GJA 9468AE LFN... 2.N 14	GJB 4600AA HDX... 2.J 12	GJB 4733AA NED... 2.J 05	GJB 4763AA HDX... 2.J 16	GJB 5369EA AGD... 2.K 06
GJA 6859AA LEG... 2.N 07	GJA 7851AA 3.H 08	GJA 9339AF 1.J 04	GJA 9468AF AEK... 2.N 14	GJB 4600AA HDX... 2.J 03	GJB 4733AA SDZ... 2.J 14	GJB 4763AA HDX... 2.J 07	GJB 5369EA LEG... 2.K 06
GJA 6859AA NDR... 2.N 07	GJA 8571AA 3.H 09	GJA 9341AE 1.J 04	GJA 9468AF LFN... 2.N 14	GJB 4600AA LEG... 2.J 12	GJB 4733AA SDZ... 2.J 05	GJB 4763AA LEG... 2.J 16	GJB 5369EA NED... 2.K 06
GJA 6859AA NED... 2.N 07	GJA 8580AB 2.M 08	GJA 9372AE 2.N 18	GJA 9476AB 2.N 13	GJB 4600AA LEG... 2.J 03	GJB 4740AA AGD... 2.J 15	GJB 4763AA LEG... 2.J 07	GJB 5517AA AGF... 2.K 05
GJA 6859AA SOC... 2.N 07	GJA 8580AB 3.H 08	GJA 9373AE 2.N 18	GJA 9476AB 2.N 10	GJB 4600AA NED... 2.J 12	GJB 4740AA AGD... 2.J 06	GJB 4763AA NED... 2.J 16	GJB 5517AA LGE... 2.K 05
GJA 6859AA SDZ... 2.N 07	GJA 8581AA 3.H 08	GJA 9374AB 2.N 18	GJA 9680CC 2.M 03	GJB 4600AA NED... 2.J 03	GJB 4740AA HDX... 2.J 15	GJB 4763AA NED... 2.J 07	GJB 5517EA AGD... 2.K 05
GJA 6720AD 2.N 04	GJA 8581AA 3.H 09	GJA 9378AD 1.J 04	GJA 9684AA 2.M 03	GJB 4600AA SDZ... 2.J 12	GJB 4740AA HDX... 2.J 06	GJB 4763AA SDZ... 2.J 16	GJB 5517EA LEG... 2.K 05
GJA 6720AE 2.N 04	GJA 8585BA 3.H 08	GJA 9379AE 1.J 04	GJA 9686AB 2.M 03	GJB 4600AA SDZ... 2.J 03	GJB 4740AA LEG... 2.J 15	GJB 4763AA SDZ... 2.J 07	GJB 5517EA NED... 2.K 05
GJA 6721AD 2.N 04	GJA 8585BB 3.H 08	GJA 9380AC 2.N 18	GJA 9672AA 2.M 03	GJB 4601AA AGD... 2.J 12	GJB 4740AA LEG... 2.J 06	GJB 4800CC 2.K 10	GJB 5518AA AGF... 2.K 07
GJA 6721AE 2.N 04	GJA 8585BB 3.H 09	GJA 9381AC 2.N 18	GJA 1204AA AGF... 2.M 16	GJB 4601AA AGD... 2.J 04	GJB 4740AA NED... 2.J 15	GJB 4800DD 2.K 10	GJB 5518AA LGE... 2.K 07
GJA 6843AA 2.N 07	GJA 8801AE 3.C 10	GJA 9450BH AEK... 2.N 12	GJB 1204AA LGE... 2.M 16	GJB 4601AA HDX... 2.J 12	GJB 4740AA NED... 2.J 06	GJB 4900DD 2.K 10	GJB 5518EA AGD... 2.K 07
GJA 6927AH 2.N 08	GJA 8801AE 3.C 11	GJA 9450BH AEK... 2.N 09	GJB 1204BA AGD... 2.M 16	GJB 4601AA HDX... 2.J 04	GJB 4740AA SDZ... 2.J 15	GJB 4800DD 2.K 10	GJB 5518EA LEG... 2.K 07
GJA 6927BB 2.N 08	GJA 8801CE 3.C 10	GJA 9450BH HDX... 2.N 12	GJB 1204BA HDX... 2.M 16	GJB 4601AA LEG... 2.J 12	GJB 4740AA SDZ... 2.J 06	GJB 4801CC 2.K 10	GJB 5518EA NED... 2.K 07
GJA 7071AH 2.N 08	GJA 8801CE 3.C 11	GJA 9450BH HDX... 2.N 09	GJB 1204BA LEG... 2.M 16	GJB 4601AA LEG... 2.J 04	GJB 4741AA AGD... 2.J 15	GJB 4801CD 2.K 10	GJB 5524BA AGD... 2.J 18
GJA 7071BB 2.N 08	GJA 8850AA 3.C 10	GJA 9450BH LFN... 2.N 12	GJB 1204BA NED... 2.M 16	GJB 4601AA NED... 2.J 12	GJB 4741AA AGD... 2.J 06	GJB 4801DD 2.K 10	GJB 5524BA HDX... 2.J 18
GJA 7071AA AGD... 2.M 05	GJA 8850AA 3.C 11	GJA 9450BH LFN... 2.N 09	GJB 1204BA SDZ... 2.M 16	GJB 4601AA NED... 2.J 04	GJB 4741AA HDX... 2.J 15	GJB 4802BA 2.K 10	GJB 5524BA LEG... 2.J 18
GJA 7071AA HDX... 2.M 05	GJA 8851AA 3.C 10	GJA 9450BH SDZ... 2.N 12	GJB 1205AA AGF... 2.M 16	GJB 4601AA SDZ... 2.J 12	GJB 4741AA HDX... 2.J 06	GJB 4802BA 2.K 10	GJB 5524BA SDZ... 2.J 18
GJA 7810AA LEG... 2.M 05	GJA 8851AA 3.C 11	GJA 9450BH SDZ... 2.N 09	GJB 1205AA LGE... 2.M 16	GJB 4601AA SDZ... 2.J 04	GJB 4741AA LEG... 2.J 15	GJB 4803BA 2.K 10	GJB 5524EA SDZ... 2.J 18
GJA 7810AA NDR... 2.M 05	GJA 8874AF 3.C 09	GJA 9460BJ AEK... 2.N 12	GJB 1205BA AGD... 2.M 17	GJB 4730AA AGD... 2.J 13	GJB 4741AA LEG... 2.J 06	GJB 5300BA AGD... 2.K 02	GJB 5528BA AGD... 2.K 03
GJA 7810AA SOC... 2.M 05	GJA 8874BF 3.C 09	GJA 9460BJ AEK... 2.N 09	GJB 1205BA HDX... 2.M 17	GJB 4730AA AGD... 2.J 04	GJB 4741AA NED... 2.J 15	GJB 5300BA HDX... 2.K 02	GJB 5528BA HDX... 2.K 03
GJA 7840CA AGD... 2.M 08	GJA 8878AB 3.C 09	GJA 9460BJ HDX... 2.N 12	GJB 1205BA LGE... 2.M 17	GJB 4730AA HDX... 2.J 13	GJB 4741AA NED... 2.J 06	GJB 5300BA LEG... 2.K 02	GJB 5528BA LEG... 2.K 03
GJA 7840CA HDX... 2.M 08	GJA 8951AE 1.O 04	GJA 9460BJ HDX... 2.N 09	GJB 1205BA NED... 2.M 17	GJB 4730AA HDX... 2.J 04	GJB 4741AA SDZ... 2.J 15	GJB 5300BA NED... 2.K 02	GJB 5528BA NED... 2.K 03
GJA 7840CA LEG... 2.M 08	GJA 8955EB 1.O 05	GJA 9460BJ LFN... 2.N 12	GJB 1205BA SDZ... 2.M 17	GJB 4730AA LGE... 2.J 13	GJB 4741AA SDZ... 2.J 06	GJB 5300BA SDZ... 2.K 02	GJB 5528BA SDZ... 2.K 03
GJA 7840CA NDR... 2.M 08	GJA 8955EC 1.O 05	GJA 9460BJ LFN... 2.N 09	GJB 4310BA AGD... 2.J 03	GJB 4730AA LEG... 2.J 04	GJB 4742AA AGD... 2.J 15	GJB 5302AA AGF... 2.K 06	GJB 5581AA AGF... 2.K 05
GJA 7840CA NED... 2.M 08	GJA 8955FA 1.O 05	GJA 9460BJ SDZ... 2.N 12	GJB 4310BA HDX... 2.J 03	GJB 4730AA NED... 2.J 13	GJB 4742AA AGD... 2.J 06	GJB 5302AA LGE... 2.K 06	GJB 5581AA LGE... 2.K 05
GJA 7840CA SDZ... 2.M 08	GJA 8955FB 1.O 05	GJA 9460BJ SDZ... 2.N 09	GJB 4310BA LEG... 2.J 03	GJB 4730AA NED... 2.J 04	GJB 4742AA HDX... 2.J 15	GJB 5302EA AGD... 2.K 06	GJB 5581EA AGD... 2.K 05
GJA 7840CA SOC... 2.M 08	GJA 8959AA 1.O 02	GJA 9460BL AEK... 2.N 12	GJB 4310BA NED... 2.J 03	GJB 4730AA SDZ... 2.J 13	GJB 4742AA HDX... 2.J 06	GJB 5302EA LEG... 2.K 06	GJB 5581EA LEG... 2.K 05
GJA 7850CA AGD... 2.M 08	GJA 8960BA 1.O 05	GJA 9460BL AEK... 2.N 09	GJB 4310BA SDZ... 2.J 03	GJB 4730AA SDZ... 2.J 04	GJB 4742AA LEG... 2.J 15	GJB 5302EA NED... 2.K 06	GJB 5581EA NED... 2.K 05
GJA 7850CA HDX... 2.M 08	GJA 8960BB 3.I 10	GJA 9460BL HDX... 2.N 12	GJB 4318AA AGF... 2.J 11	GJB 4731AA AGD... 2.J 13	GJB 4742AA LEG... 2.J 06	GJB 5304BA AGD... 2.K 04	GJB 5582AA AGF... 2.K 07
GJA 7850CA LEG... 2.M 08	GJA 8960BB 1.O 05	GJA 9460EL HDX... 2.N 09	GJB 4316AA LGE... 2.J 11	GJB 4731AA AGD... 2.J 05	GJB 4742AA NED... 2.J 15	GJB 5304BA HDX... 2.K 04	GJB 5582AA LGE... 2.K 07
GJA 7850CA NDR... 2.M 08	GJA 8962CA 3.I 10	GJA 9460BL LFN... 2.N 12	GJB 4318EA AGD... 2.J 11	GJB 4731AA HDX... 2.J 13	GJB 4742AA NED... 2.J 06	GJB 5304BA LEG... 2.K 04	GJB 5582EA AGD... 2.K 07
GJA 7850CA NED... 2.M 08	GJA 8964AA 1.O 04	GJA 9460BL LFN... 2.N 09	GJB 4318EA LEG... 2.J 11	GJB 4731AA HDX... 2.J 05	GJB 4742AA SDZ... 2.J 15	GJB 5304BA NED... 2.K 04	GJB 5582EA LEG... 2.K 07
GJA 7850CA SDZ... 2.M 08	GJA 8964BA 1.O 04	GJA 9461BH AEK... 2.N 12	GJB 4318EA NED... 2.J 11	GJB 4731AA LEG... 2.J 13	GJB 4742AA SDZ... 2.J 06	GJB 5304BA SDZ... 2.K 04	GJB 5582EA NED... 2.K 07
GJA 7850CA SDZ... 2.M 08	GJA 8966AB 1.O 04	GJA 9461BH AEK... 2.N 09	GJB 4418BA AGD... 2.J 02	GJB 4731AA LEG... 2.J 05	GJB 4760AA AGD... 2.J 16	GJB 5311AA AGF... 2.K 08	GJB 5584BA AGD... 2.J 18
GJA 7861AA 2.M 08	GJA 8966AB 1.O 05	GJA 9461BH HDX... 2.N 12	GJB 4418BA HDX... 2.J 02	GJB 4731AA NED... 2.J 13	GJB 4760AA AGD... 2.J 07	GJB 5311AA LGE... 2.K 08	GJB 5584BA HDX... 2.J 18
GJA 7863AA 2.M 08	GJA 8968AA 1.O 04	GJA 9461BH HDX... 2.N 09	GJB 4418BA LEG... 2.J 02	GJB 4731AA NED... 2.J 05	GJB 4760AA HDX... 2.J 16	GJB 5311EA AGD... 2.K 08	GJB 5584BA LEG... 2.J 18
GJA 7870AB AGD... 2.M 07	GJA 8969AA 1.O 02	GJA 9461BH LFN... 2.N 12	GJB 4418BA NED... 2.J 02	GJB 4731AA SDZ... 2.J 13	GJB 4760AA HDX... 2.J 07	GJB 5311EA LEG... 2.K 08	GJB 5584BA NED... 2.J 18
GJA 7870AB LEG... 2.M 07	GJA 8970AC 1.O 02	GJA 9461BH LFN... 2.N 09	GJB 4418BA SDZ... 2.J 02	GJB 4731AA SDZ... 2.J 05	GJB 4760'AA LEG... 2.J 16	GJB 5311EA NED... 2.K 08	GJB 5584BA SDZ... 2.J 18
GJA 7870AB NDR... 2.M 07	GJA 8971AB 1.O 02	GJA 9461BH SDZ... 2.N 12	GJB 4419BA AGD... 2.J 02	GJB 4732AA AGD... 2.J 14	GJB 4760AA LEG... 2.J 07	GJB 5360BA AGD... 2.K 02	GJB 5589BA AGD... 2.K 03
GJA 7870AC AGD... 2.M 07	GJA 8978AA 1.O 02	GJA 9461BH SDZ... 2.N 09	GJB 4419BA HDX... 2.J 02	GJB 4732AA AGD... 2.J 05	GJB 4760AA NED... 2.J 16	GJB 5360BA HDX... 2.K 02	GJB 5589BA HDX... 2.K 03
GJA 7870AC LEG... 2.M 07	GJA 9018AA 3.C 13	GJA 9461BJ AEK... 2.N 12	GJB 4419BA LEG... 2.J 02	GJB 4732AA HDX... 2.J 14	GJB 4760AA NED... 2.J 07	GJB 5360' B LEG... 2.K 02	GJB 5589BA LEG... 2.K 03
GJA 7870AC NED... 2.M 07	GJA 9018AB 3.C 13	GJA 9461BJ AEK... 2.N 09	GJB 4419BA NED... 2.J 02	GJB 4732AA HDX... 2.J 05	GJB 4760AA SDZ... 2.J 16	GJB 5360BA NED... 2.K 02	GJB 5589BA NED... 2.K 03
GJA 7870AD AGD... 2.M 07	GJA 9018AB 3.C 13	GJA 9461BJ HDX... 2.N 12	GJB 4419BA SDZ... 2.J 02	GJB 4732AA LEG... 2.J 14	GJB 4760AA SDZ... 2.J 07	GJB 5360BA SDZ... 2.K 02	GJB 5589BA SDZ... 2.K 03
GJA 7870AD LEG... 2.M 07	GJA 9021CE 3.C 13	GJA 9461BJ HDX... 2.N 09	GJB 4438AA AGF... 2.J 09	GJB 4732AA LEG... 2.J 05	GJB 4782AA AGD... 2.J 16	GJB 5362BA AGD... 2.K 04	GJB 6009AA AGD... 2.O 04
GJA 7870AD NED... 2.M 07	GJA 9021FD 3.C 14	GJA 9461'BJ LFN... 2.N 12	GJB 4438AA LGE... 2.J 09	GJB 4732AA NED... 2.J 14	GJB 4782AA AGD... 2.J 07	GJB 5362BA HDX... 2.K 04	GJB 6009AA HDX... 2.O 04
GJA 7881AA AGD... 2.M 07	GJA 9022AC 3.C 14	GJA 9461BJ LFN... 2.N 09	GJB 4438EA AGD... 2.J 10	GJB 4732AA NED... 2.J 05	GJB 4782AA HDX... 2.J 16	GJB 5362BA LEG... 2.K 04	GJB 6009AA LEG... 2.O 04
GJA 7881AA LEG... 2.M 07	GJA 9280BE 2.O 02	GJA 9461BJ SDZ... 2.N 12	GJB 4438EA LEG... 2.J 10	GJB 4732AA SDZ... 2.J 14	GJB 4782AA HDX... 2.J 07	GJB 5362BA NED... 2.K 04	GJB 6009AA NED... 2.O 04
GJA 7881AA NDR... 2.M 07	GJA 9280BF 2.O 02	GJA 9461BJ SDZ... 2.N 09	GJB 4438EA NED... 2.J 10	GJB 4732AA SDZ... 2.J 05	GJB 4782AA LEG... 2.J 16	GJB 5362BA SDZ... 2.K 04	GJB 6009AA SDZ... 2.O 04

Jaguar XK8 Coupe/Convertible - Canada/USA

J05
Fiche 3

NUMERIC INDEX "GJB6401ABAE5" TO "HJA7727BG "

GJB 6401AB AES ... 2.N 04	GJB 9482BA LFN ... 2.N 13	GNA 7079AA LEG ... 2.M 08	HJA 1380AD HDV ... 2.O 06	HJA 3997CA 3.D 03	HJA 4001AE 3.G 05	HJA 5755CC 3.E 18	HJA 7081AB AGD ... 2.L 07
GJB 6401AB AET ... 2.N 04	GJB 9482BA LFN ... 2.N 10	GNA 7881AA AGD ... 2.M 06	HJA 1380AD HDV ... 2.O 07	HJA 3052AA 3.C 15	HJA 4008AD 3.G 05	HJA 5758AB 3.E 18	HJA 7081AB HDX ... 2.L 07
GJB 6401AB AGK ... 2.N 04	GJB 9482BA SDC ... 2.N 13	GNA 7881AA HDX ... 2.M 06	HJA 1380AD LEG ... 2.O 06	HJA 3052AA 3.C 16	HJA 4195DA 3.G 16	HJA 5759AB 3.F 18	HJA 7081AB LEG ... 2.L 07
GJB 6401AB HDV ... 2.N 04	GJB 9482BA SDC ... 2.N 10	GNA 7881AA LEG ... 2.M 06	HJA 1380AD LEG ... 2.O 07	HJA 3052AA 3.H 04	HJA 4196DA 3.G 16	HJA 5762AB 3.E 18	HJA 7081BB AEK ... 2.L 08
GJB 6401AB LEG ... 2.N 04	GJB 9483CA AEK ... 2.N 14	GNA 7881AA NDR ... 2.M 06	HJA 1380AD SDC ... 2.O 06	HJA 3053AA 3.C 15	HJA 4200DD 3.G 08	HJA 5763AB 3.E 18	HJA 7081BB AGD ... 2.L 08
GJB 6401AC AES ... 2.N 04	GJB 9463CA AEK ... 2.N 11	GNA 7881AA NED ... 2.M 06	HJA 1380AD SDC ... 2.O 07	HJA 3053AA 3.C 16	HJA 4333AA 3.I 06	HJA 5770AA 3.C 07	HJA 7081BB HDX ... 2.L 08
GJB 6401AC AET ... 2.N 04	GJB 9463CA HDX ... 2.N 14	GNA 7881AA SDC ... 2.M 06	HJA 1380AD SDZ ... 2.O 06	HJA 30F3AA 3.H 04	HJA 4477CA 2.F 07	HJA 5771AA 3.C 07	HJA 7081BB LEG ... 2.L 08
GJB 6401AC AGK ... 2.N 04	GJB 9463CA PDX ... 2.N 11	GNA 7881AA SDZ ... 2.M 06	HJA 1380AD SDZ ... 2.O 07	HJA 3058AA 3.C 17	HJA 4492AB 3.C 09	HJA 5900AA 3.C 07	HJA 7090AA AEK ... 2.L 07
GJB 6401AC HDV ... 2.N 04	GJB 9463CA LFN ... 2.N 14	GNA 7882AA 2.M 07	HJA 1381AD AEK ... 2.O 06	HJA 3059AA 3.C 17	HJA 4493BA 3.C 09	HJA 5980BA 3.C 08	HJA 7090AA AEK ... 2.L 08
GJB 6401AC LEG ... 2.N 04	GJB 9463CA LFN ... 2.N 11	GNA 3542AB 2.F 02	HJA 1381AD AEK ... 2.O 07	HJA 3093BD 3.E 05	HJA 4493BC 3.C 09	HJA 5981AA 3.C 08	HJA 7090AA AGD ... 2.L 07
GJB 6927AA 2.N 04	GJB 9463CA SDC ... 2.N 14	GNB 3544AB 2.F 02	HJA 1391AD AGE ... 2.O 06	HJA 3093BE 3.E 05	HJA 4570AL 3.C 02	HJA 6034AD 2.M 02	HJA 7090AA AGD ... 2.L 08
GJB 6927AA 2.N 08	GJB 9463CA SDC ... 2.N 11	GNB 3544AC 2.F 02	HJA 1391AD AGE ... 2.O 07	HJA 3097AD 3.E 05	HJA 4571AL 3.C 02	HJA 6040AB 2.M 02	HJA 7090AA HDX ... 2.L 07
GJB 6927BA 2.N 08	GJC 3610AA 2.N 15	GNB 8961AA 3.J 09	HJA 1391AD HDV ... 2.O 06	HJA 3098AD 1.G 08	HJA 4578AA 3.C 02	HJA 6041AB 2.M 02	HJA 7090AA HDX ... 2.L 08
GJB 7071AA 2.N 08	GJC 3610AA 2.N 15	GNB 8961AA 3.I 10	HJA 1381AD HDV ... 2.O 07	HJA 3099AA 1.G 08	HJA 4577AA 3.C 02	HJA 6451BC 3.C 03	HJA 7090AA LEG ... 2.L 07
GJB 7071BA 2.N 08	GJC 3618AA 2.N 15	GNB 8961AA 1.O 05	HJA 1381AD LEG ... 2.O 06	HJA 3101AA 3.C 09	HJA 4582AD 3.C 02	HJA 6458AB 3.C 04	HJA 7090AA LEG ... 2.L 08
GJB 7610AA AGD ... 2.N 05	GJC 3620AA 2.N 15	GNC 3535AA 3.D 08	HJA 1311AD LEG ... 2.O 07	HJA 3101AA 3.G 10	HJA 4583AD 3.C 02	HJA 6460RD 3.C 03	HJA 7106BB AGD ... 2.L 08
GJB 7610AA LEG ... 2.N 05	GJC 3620AA 2.N 15	HJA 1005AB AGD ... 2.O 06	HJA 1381AD SDC ... 2.O 06	HJA 3107AB 1.G 08	HJA 4618BC 3.G 04	HJA 6472AC 3.C 03	HJA 7106BB HDX ... 2.L 08
GJB 7610AA NED ... 2.N 05	GJC 9463CA AEK ... 2.N 14	HJA 1005AB LFLJ ... 2.O 06	HJA 1381AD SDZ ... 2.O 07	HJA 3108AA 3.E 05	HJA 4621AC 3.G 15	HJA 64643C 3.C 03	HJA 7106BB LEG ... 2.L 08
GJB 7610BA AGD ... 2.N 05	GJC 9463CA AEK ... 2.N 11	HJA 1005AC AGD ... 2.O 06	HJA 1381AD SDZ ... 2.O 06	HJA 3103AB 3.E 05	HJA 5094AC 2.O 05	HJA 6504AC 3.C 03	HJA 7106BB NDR ... 2.L 08
GJB 7610BA HDX ... 2.N 05	GJC 9463CA HDX ... 2.N 14	HJA 1005AC LFLJ ... 2.O 06	HJA 1381AD SDZ ... 2.O 07	HJA 3120AA 2.N 03	HJA 5240AF 3.D 02	HJA 6505AC 3.C 03	HJA 7106BB NED ... 2.L 08
GJB 7610BA LEG ... 2.M 05	GJC 9463CA HDX ... 2.N 11	HJA 1072AA AGD ... 2.O 05	HJA 1650AD 3.E 07	HJA 3121AA 2.N 03	HJA 5244AD 3.D 02	HJA 6526AC 3.C 04	HJA 7108BB SDC ... 2.L 08
GJB 7610BA NED ... 2.M 05	GJC 9463CA LFN ... 2.N 14	HJA 1072AA LFLJ ... 2.O 05	HJA 1650AD 3.E 08	HJA 3121AA 3.H 05	HJA 5245AA 3.D 02	HJA 6527AC 3.C 04	HJA 7108BB SDZ ... 2.L 08
GJB 7610BA SDZ ... 2.N 05	GJC 9463CA LFN ... 2.N 11	HJA 1072AB AGD ... 2.O 05	HJA 1651AD 3.E 05	HJA 3121BA 2.N 03	HJA 5248BC 3.D 02	HJA 6538AB 3.C 03	HJA 7107BB AGD ... 2.L 08
GJB 7820AB 3.G 08	IGL 106201 J ... 1.N 03	HJA 1072AB LFLJ ... 2.O 05	HJA 2020AA AGD ... 2.M 04	HJA 3350AB 3.C 02	HJA 5247BC 3.D 02	HJA 6539AB 3.C 03	HJA 7107BB HDX ... 2.L 08
GJB 8320AB 2.O 02	IGL 106301 J ... 1.N 03	HJA 1072AD AGD ... 2.O 05	HJA 2020AA LFLJ ... 2.M 04	HJA 3354AA 2.H 02	HJA 5248AD 2.N 16	HJA 6544AA 3.C 03	HJA 7107BB LEG ... 2.L 08
GJB 8322AA 1.J 04	IGL 106301 J ... 1.O 04	HJA 1072AD LFLJ ... 2.O 05	HJA 2020AC AGD ... 2.M 04	HJA 3354AA 2.H 03	HJA 5280AE 2.N 16	HJA 6544AA 3.C 05	HJA 7107BB NDR ... 2.L 08
GJB 8323AA 1.J 04	GMD33753AA 3.H 02	HJA 1073AA AGD ... 2.O 05	HJA 2020AC LFLJ ... 2.M 04	HJA 3355AA 2.H 02	HJA 5282AB 2.N 16	HJA 6544AA 3.H 18	HJA 7107BB NED ... 2.L 08
GJB 9460BA AEK ... 2.N 12	GNA 1082AA 3.E 04	HJA 1073AA LFLJ ... 2.O 05	HJA 2021AA AGD ... 2.M 04	HJA 3355AA 2.H 03	HJA 5292AC 2.N 16	HJA 6554AB 3.C 05	HJA 7107BB SDZ ... 2.L 08
GJB 9460BA AEK ... 2.N 09	GNA 1082AB 3.E 04	HJA 1073AB AGD ... 2.O 05	HJA 2021AA LFLJ ... 2.M 04	HJA 3400AA 3.C 15	HJA 5293AB 2.N 16	HJA 6555AB 3.C 05	HJA 7107BB SDZ ... 2.L 08
GJB 9460BA HDX ... 2.N 12	GNA 1122DA 3.E 04	HJA 1073AB LFLJ ... 2.O 05	HJA 2021AC AGD ... 2.M 04	HJA 3401AA 3.C 15	HJA 5293AC 2.N 16	HJA 6560AC 3.C 05	HJA 7140AA AEK ... 2.L 05
GJB 9460BA HDX ... 2.N 09	GNA 2620CA 2.N 07	HJA 1073AD AGD ... 2.O 05	HJA 2021AC LFLJ ... 2.M 04	HJA 3402AB 3.C 16	HJA 5340BE 3.E 07	HJA 6566AB 3.C 05	HJA 7140AA AGD ... 2.L 05
GJB 9460BA LFN ... 2.N 12	GNA 3752AA 3.H 02	HJA 1073AD LFLJ ... 2.O 05	HJA 2057AB 2.M 04	HJA 3402AB 3.H 04	HJA 5341BE 3.E 07	HJA 6569AA 3.C 05	HJA 7140AA HDX ... 2.L 05
GJB 9460BA LFN ... 2.N 09	GNA 3755AA 3.H 02	HJA 1084BA AGD ... 2.O 05	HJA 2058AB 2.M 04	HJA 3403AB 3.C 16	HJA 5342BA 3.E 07	HJA 6580BA 3.C 05	HJA 7140AA LEG ... 2.L 05
GJB 9460BB AEK ... 2.N 12	GNA 3756AA 3.H 02	HJA 1084BA LFLJ ... 2.O 05	HJA 2100AA 2.L 07	HJA 3403AB 3.H 04	HJA 5343BA 3.E 07	HJA 6586BB XXX ... 3.C 05	HJA 7141AA 2.L 08
GJB 9460BB AEK ... 2.N 09	GNA 5801AC LEG ... 2.M 08	HJA 1084BC AGD ... 2.O 05	HJA 2122AB AGD ... 2.O 06	HJA 3404AA 3.C 15	HJA 5362AB 3.E 07	HJA 7010AB AEK ... 2.L 04	HJA 7142BA 2.L 06
GJB 9460BB HDX ... 2.N 12	GNA 6770AA LEG ... 2.N 14	HJA 1084BC LFLJ ... 2.O 05	HJA 2122AB AGD ... 2.O 07	HJA 3405AA 3.C 15	HJA 5362BB 3.E 08	HJA 7010AB AGD ... 2.L 04	HJA 7142BA 2.L 06
GJB 9460BB HDX ... 2.N 09	GNA 7670BF AGD ... 3.H 13	HJA 1200BB AEK ... 2.O 08	HJA 2122AB LFLJ ... 2.O 06	HJA 3406AA 3.C 15	HJA 5363AB 3.E 07	HJA 7010AB HDX ... 2.L 04	HJA 7150AA AEK ... 2.L 05
GJB 9460BB LFN ... 2.N 12	GNA 7670BF HDX ... 3.H 13	HJA 1200BB AGE ... 2.O 08	HJA 2122AB LFLJ ... 2.O 07	HJA 3407AA 3.C 15	HJA 5363BB 3.E 08	HJA 7010AB LEG ... 2.L 04	HJA 7150AA AGD ... 2.L 05
GJB 9460BB LFN ... 2.N 09	GNA 7670BF LEG ... 3.H 13	HJA 1200BB HDX ... 2.O 08	HJA 2123AB AGD ... 2.O 06	HJA 3410AB 3.C 16	HJA 5364AF 3.E 07	HJA 7012CA AEK ... 2.L 04	HJA 7150AA HDX ... 2.L 05
GJB 9461BA AEK ... 2.N 13	GNA 7670BF NDR ... 3.H 13	HJA 1200BB LEG ... 2.O 08	HJA 2123AB AGD ... 2.O 07	HJA 3410AB 3.H 04	HJA 5365AF 3.E 07	HJA 7012CA AGD ... 2.L 04	HJA 7150AA LEG ... 2.L 05
GJB 9461BA AEK ... 2.N 10	GNA 7670BG AGD ... 2.M 06	HJA 1200BB SDC ... 2.O 08	HJA 2123AB LFLJ ... 2.O 06	HJA 3411AB 3.C 16	HJA 5372AC 3.D 06	HJA 7012CA HDX ... 2.L 04	HJA 7212BB 3.D 13
GJB 9461BA HDX ... 2.N 13	GNA 7670BG HDX ... 2.M 06	HJA 1212CD AEK ... 2.O 08	HJA 2123AB LFLJ ... 2.O 07	HJA 3411AB 3.H 04	HJA 5372AD 3.D 06	HJA 7012CA LEG ... 2.L 04	HJA 7212BB 2.O 03
GJB 9461BA HDX ... 2.N 10	GNA 7670BG LEG ... 2.M 06	HJA 1212CD AGE ... 2.O 08	HJA 2132AA AGD ... 2.O 07	HJA 3721AA 1.N 06	HJA 5372BC 3.D 07	HJA 7012DA AEK ... 2.L 04	HJA 7708AC 3.E 14
GJB 9461BA LFN ... 2.N 13	GNA 7670BG NDR ... 2.M 06	HJA 1212CD HDX ... 2.O 08	HJA 2132AA LFLJ ... 2.O 07	HJA 3815AB 3.C 09	HJA 5372BD 3.D 07	HJA 7012DA AGD ... 2.L 04	HJA 7708AC 3.C 18
GJB 9461BA LFN ... 2.N 10	GNA 7670BG SDC ... 2.M 06	HJA 1212CD LEG ... 2.O 08	HJA 2155AB AGD ... 2.O 07	HJA 3822AA 3.C 09	HJA 5373AB 3.D 07	HJA 7012DA HDX ... 2.L 04	HJA 7709AC 3.F 04
GJB 9461BB AEK ... 2.N 13	GNA 7670BH AGD ... 2.M 06	HJA 1212CD SDC ... 2.O 08	HJA 2155AB LFLJ ... 2.O 07	HJA 3823AA 3.C 09	HJA 5373AB 3.D 06	HJA 7012DA LEG ... 2.L 04	HJA 7709AC 3.E 08
GJB 9461BB AEK ... 2.N 10	GNA 7670BH HDX ... 2.M 06	HJA 1240AB AEK ... 2.O 08	HJA 2402AB 3.D 04	HJA 3823AA 3.C 09	HJA 5704AA XXX ... 3.C 06	HJA 7040AA 2.L 04	HJA 7712CB AGD ... 3.E 15
GJB 9461BB HDX ... 2.N 13	GNA 7670BH LEG ... 2.M 06	HJA 1240AB AGE ... 2.O 08	HJA 2402BA 3.D 04	HJA 3825AB 3.C 09	HJA 5705AA XXX ... 3.C 06	HJA 7041AA 2.L 04	HJA 7712CB HDX ... 3.E 15
GJB 9461BB HDX ... 2.N 10	GNA 7670BH NED ... 2.M 06	HJA 1240AB HDX ... 2.O 08	HJA 2406C 3.D 04	HJA 3825AB 3.C 09	HJA 5706AA XXX ... 3.C 06	HJA 7044AB 2.L 04	HJA 7712CB LEG ... 3.E 15
GJB 9461BB LFN ... 2.N 13	GNA 7670BH SDZ ... 2.M 06	HJA 1240AB LEG ... 2.O 09	HJA 2407AC 3.D 04	HJA 3833AD 3.C 09	HJA 5707AA XXX ... 3.C 06	HJA 7044AC 2.L 04	HJA 7712CB NDR ... 3.E 15
GJB 9461BB LFN ... 2.N 10	GNA 7670BJ AGD ... 2.M 06	HJA 1240AB SDC ... 2.O 08	HJA 2420AB 3.D 04	HJA 3833AG 3.C 09	HJA 5716AA XXX ... 3.C 06	HJA 7055AB AEK ... 2.L 04	HJA 7712CB SDC ... 3.E 15
GJB 9462BA AEK ... 2.N 13	GNA 7670BJ HDX ... 2.M 06	HJA 1380AD AEK ... 2.O 08	HJA 2431AB 3.D 04	HJA 3835AA 3.C 09	HJA 5717AA XXX ... 3.C 06	HJA 7055AB AGD ... 2.L 04	HJA 7715BE 3.E 14
GJB 9462BA AEK ... 2.N 10	GNA 7670BJ LEG ... 2.M 06	HJA 1380AD AEK ... 2.O 07	HJA 2431BA 3.D 04	HJA 4000AD 3.G 05	HJA 5748CC 3.E 18	HJA 7055AB HDX ... 2.L 04	HJA 7718AA 3.E 14
GJB 9462BA HDX ... 2.N 13	GNA 7670BJ NED ... 2.M 06	HJA 1380AD AGE ... 2.O 08	HJA 2590AB 3.D 05	HJA 4000AE 3.G 05	HJA 5749CC 3.E 18	HJA 7055AB LEG ... 2.L 04	HJA 7727BE 3.E 13
GJB 9462BA HDX ... 2.N 10	GNA 7670BJ SDZ ... 2.M 06	HJA 1380AD AGE ... 2.O 07	HJA 2541AD 3.D 04	HJA 4001AD 3.G 05	HJA 5754CC 3.E 18	HJA 7081AB AEK ... 2.L 07	HJA 7727BG 3.E 13

HJA 7732BB AEL	3.E 09	HJA 8211BB	3.E 11	HJA 9181UC LEG	1.K 08	HJB 3403AA	3.H 04	HJB 9181DA AGE	1.K 07	HNA 7230AA 2	3.E 03	JFB 10810N	1.D 17	JFS 108127	1.K 03
HJA 7732BB AEL	3.E 10	HJA 8211BB	3.E 12	HJA 9261AE	1.K 05	HJB 3770BA	1.J 02	HJB 9181DA HDV	1.K 07	HNA 7231AA 1	3.E 03	JFB 10812E	1.F 14	JFS 10816E	1.K 02
HJA 7732BB ANR	3.E 09	HJA 8212AA	3.E 16	HJA 9261AF	1.K 05	HJB 5980BB	3.C 08	HJB 9181DA LEG	1.K 07	HNA 7231AA 2	3.E 03	JFB 10813N	1.D 17	JFS 10816E P	1.K 09
HJA 7732BB ANR	3.E 10	HJA 8223BB	2.G 04	HJA 9262AA	1.K 05	HJB 5981AB	3.C 08	HJB 9181DB AEK	1.K 07	HNA 9679BA	2.D 03	JFB 10814B	1.E 11	JFS 108207	1.F 14
HJA 7732BB HFV	3.E 09	HJA 8226EC	3.E 13	HJA 9263AF	1.K 05	HJB 5985BC	3.C 08	HJB 9181DB AEK	3.H 18	HNC2561AB	3.D 04	JFB 10816B	1.K 04	JFS 108207	1.G 02
HJA 7732BB HFV	3.E 10	HJA 8227AA	3.E 16	HJA 9340BB AEK	2.E 05	HJB 5985BD	3.C 08	HJB 9181DB AGE	1.K 07	HNC3133AB	2.N 03	JFB 108186	1.D 13	JFS 10820B	1.E 11
HJA 7732BB JFF	3.E 09	HJA 8241AB	3.E 16	HJA 9340BB AGE	2.E 05	HJB 6034AA	2.M 02	HJB 9181DB AGE	3.H 18	HNC7141AA	2.L 06	JFB 110087	1.J 02	JFS 10830B	1.G 02
HJA 7732BB JFF	3.E 10	HJA 8243AA	3.E 16	HJA 9340BB HDV	2.E 05	HJB 6468AC XXX	3.C 03	HJB 9181DB HDV	1.K 07	HNC9181AB LEG	1.K 07	JFB 11009B	2.F 05	JFS 10830B	1.G 03
HJA 7732BB PDM	3.E 09	HJA 8243AB	3.E 16	HJA 9340BB LEG	2.E 05	HJC 7012CA AEK	2.L 04	HJB 9181DB HDV	3.H 18	HNC9181AB LEG	3.H 18	JFB 11017B	1.E 02	JFS 110187	2.C 14
HJA 7732BB PDM	3.E 10	HJA 8252AA	3.E 16	HJA 9340BB SDC	2.E 05	HJ5 7012CA AGD	2.L 04	HJB 9181DB LEG	1.K 07	HNC9181AC LEG	1.K 07	JFB 11026B	2.F 05	JFS 110167	1.D 06
HJA 7736AA	3.E 14	HJA 8253AA	3.E 16	HJA 9340CA AEK	2.E 05	HJB 7012CA HDX	2.L 04	HJB 9181DB LEG	3.H 18	HNC9181AC LEG	3.H 18	JFB 11214E P	3.G 15	JFS 11016B	1.G 12
HJA 7737AA	3.E 14	HJA 8254CB	3.E 16	HJA 9340CA AGE	2.E 05	HJB 7012CA LEG	2.L 04	HJB 9181EA LEG	3.H 18	HNC9181AD LEG	1.K 07	JFC 106088	1.D 15	JFS 11016B	1.G 13
HJA 7738AA	3.E 14	HJA 8255CB	3.E 16	HJA 9340CA HDV	2.E 05	HJB 7712AA AGD	3.E 15	HJB 9181EB LEG	3.H 18	HNC9181AD LEG	3.H 18	JFC 106086	1.D 18	JFS 11016B	1.G 14
HJA 7738AA	3.E 14	HJA 8256AA	3.E 16	HJA 9340CA LEG	2.E 05	HJB 7712AA HDX	3.E 15	HJB 9181FA LEG	1.K 07	HND1500AA AEK	2.L 05	JFC 106106	1.D 07	JFS 11016B	1.G 09
HJA 7740AA	3.E 14	HJA 8257AA	3.E 16	HJA 9340CA SDC	2.E 05	HJB 7712AA LEG	3.E 15	HJB 9181FA LEG	3.H 18	HND1500AA AGD	2.L 05	JFN 10504B	1.D 08	JFS 11016B	1.G 10
HJA 7741AA	3.E 14	HJA 8923AA	2.O 03	HJA 9341AA	2.E 06	HJB 7712AA NDR	3.E 15	HJB 9181FB LEG	1.K 07	HND7150AA HDX	2.L 05	JFN 106047	1.H 02	JFS 110163	1.G 11
HJA 7778BC	3.E 14	HJA 8926AA	2.O 05	HJA 9344AA	2.E 06	HJB 7712AA NED	3.E 15	HJB 9181FB LEG	3.H 18	HND7150AA LEG	2.L 05	JFN 10604E	1.N 09	JFS 11020F	1.K 10
HJA 7779BC	3.E 14	HJA 8926AA	2.O 07	HJA 9340AA AEK	2.E 05	HJB 7712AA SDC	3.E 15	HJB 9181HA LEG	1.K 08	HXF 3131AB	2.N 03	JFN 10604E	1.F 06	JFS 11020F	1.I 02
HJA 7780BC	3.E 14	HJA 8997DA	2.L 03	HJA 9346AA AGE	2.E 05	HJB 7712AA SDZ	3.E 15	HJB 9181HB LEG	1.K 05	JAB 610067 XJ	3.C 03	JFN 10604E	1.F 07	JFS 11035E	1.D 74
HJA 7781BC	3.E 14	HJA 9007EA	2.L 03	HJA 9346AA HDV	2.E 05	HJB 7732AA AEL	3.E 11	HJB 9503AB	1.K 06	JAB 610067 XJ	3.C 04	JFN 10604F	1.F 05	JFT 10816E P	1.K 09
HJA 7782BC	3.E 14	HJA 9180CC AEK	1.K 08	HJA 9346AA LEG	2.E 05	HJB 7732AA AEL	3.E 12	HJB 9503AC	1.K 06	JAD 60810J	2.M 15	JFN 106047	3.E 18	JFT 10825B	3.E 06
HJA 7783BC	3.E 14	HJA 9180CC AGE	1.K 08	HJA 9346AA SDC	2.E 05	HJB 7732AA AEV	3.E 11	HJB 9670AA	2.L 03	JAK 60856B	2.O 05	JFN 106047	3.C 05	JFT 11030E	1.J 14
HJA 7808AA AGD	3.E 09	HJA 9180CC HDV	1.K 08	HJA 9346BA AEK	2.E 05	HJB 7732AA AEV	3.E 12	HMB 1728AA	2.C 03	JAK 60858B	2.O 05	JFN 10804B	1.F 14	JFT 11030E M	1.J 14
HJA 7808AA AGD	3.E 11	HJA 9180CC LEG	1.K 08	HJA 9346BA AGE	2.E 05	HJB 7732AA HFV	3.E 11	HNA 2104AA AEK	2.O 08	JBH 112167	1.K 12	JFN 10804B	1.D 17	JFU 11030E M	1.K 02
HJA 7808AA LFJ	3.E 10	HJA 9180CC SDC	1.K 08	HJA 9346BA HDV	2.E 05	HJB 7732AA HFV	3.E 12	HNA 2104AA AGE	2.O 08	JBH 112167	1.L 03	JFN 10804B	1.I 02	JFX 10804E	1.I 02
HJA 7808AA LFJ	3.E 12	HJA 9180CD AEK	1.K 08	HJA 9346BA LEG	2.E 05	HJB 7732AA JFF	3.E 11	HNA 2104AA HDX	2.O 08	JBH 11216B P	1.L 04	JFN 11004B	2.F 05	JFX 10805B	1.K 12
HJA 7845DA	3.E 15	HJA 9180CD AGE	1.K 08	HJA 9346BA SDC	2.E 05	HJB 7732AA JFF	3.E 12	HNA 2104AA LEG	2.O 09	JBU 11218E	3.C 03	JFN 11004B	1.G 12	JFY 11205E	1.K 15
HJA 7876FA	3.E 09	HJA 9180CD HDV	1.K 08	HJA 9346AA AEK	2.E 05	HJB 7732AA POM	3.E 11	HNA 2104AA SDC	2.O 08	JBU 11218E	3.C 05	JFN 11004B	1.G 13	JFY 11205E	1.K 04
HJA 7876FA	3.E 10	HJA 9180CD LEG	1.K 08	HJA 9346AA AGE	2.E 05	HJB 7732AA PDM	3.E 12	HNA 3055FA	3.C 17	JBU 11218E	3.H 18	JFN 11004B	1.G 14	JFY 11404E	1.K 09
HJA 7876FA	3.E 11	HJA 9180CD SDC	1.K 08	HJA 9348AA HDV	2.E 05	HJB 8131AA	3.E 15	HNA 3057FA	3.C 17	JCR 110765	1.K 13	JFN 11004B	1.G 09	JFX 11685E	1.K 15
HJA 7876FA	3.E 12	HJA 9180CE AEK	1.K 08	HJA 9348AA LEG	2.E 05	HJB 8134AA	2.M 15	HNA 3064AA	3.C 15	JCR 110805	1.K 13	JFN 11094B	1.G 10	JFX 214051	1.L 05
HJA 8129AB	3.E 14	HJA 9180CE AGE	1.K 08	HJA 9348AA SDC	2.E 05	HJB 8135AA	2.M 15	HNA 3066AB	3.C 15	JDA 60803K	3.E 13	JFN 11004B	1.G 11	JFY 106041	2.C 14
HJA 8129AD	3.E 14	HJA 9180CE HDV	1.K 08	HJA 9348AA AEK	2.E 05	HJB 8170AA	3.E 11	HNA 3066AB	3.C 16	JDA 60804B	2.E 03	JFP 10807E	1.D 05	JFY 106041	2.C 02
HJA 8131AB	3.E 15	HJA 9180CE LEG	1.K 08	HJA 9348AA AGE	2.E 05	HJB 8170AA	3.E 12	HNA 3066AB	3.H 04	JDA 60804B	2.K 12	JFS 10512C	1.E 03	JFY 106041	1.J 11
HJA 8134BD	2.M 15	HJA 9180CE SDC	1.K 08	HJA 9348BA HDV	2.E 05	HJB 8213CA	3.E 18	HNA 3072AA	3.C 17	JDA 60804E	3.E 08	JFS 10512C	1.G 17	JFY 106041	1.F 10
HJA 8134BE	2.M 15	HJA 9181JB AEK	1.K 07	HJA 9348BA LEG	2.E 05	HJB 8213CA	3.E 09	HNA 3078AA	3.C 17	JDA 60805C	3.C 09	JFS 10512C	1.G 02	JFY 106041	1.F 18
HJA 8135BD	2.M 15	HJA 9181JB AGE	1.K 07	HJA 9348BA SDC	2.E 05	HJB 8213CA	3.E 10	HNA 3106AA	1.G 08	JDA 61096B	3.H 08	JFS 10512C	1.G 03	JFY 106041	2.C 35
HJA 8135BE	2.M 15	HJA 9181JB HDV	1.K 07	HJA 9350AB	2.E 06	HJB 8213CA	3.E 11	HNA 3121CB	3.H 05	JEP 110002	1.G 06	JFS 10516F	2.F 07	JFY 106041	2.C 08
HJA 8136AA	3.E 18	HJA 9181JB LEG	1.K 07	HJA 9422AA	1.K 05	HJB 8213CA	3.E 12	HNA 3412AA	3.C 15	JET 100009	2.J 17	JFS 10520B	1.F 10	JFY 106041	2.C 13
HJA 8136BA	3.E 18	HJA 9181JB SDC	1.K 07	HJA 9422AB	1.K 05	HJB 8226AA	3.E 13	HNA 3412AA	3.C 16	JET 100009	2.J 08	JFS 10520B	1.J 05	JFY 10604B	1.M 08
HJA 8137AA	3.E 18	HJA 9181JC AEK	1.K 07	HJA 9503DA	1.K 06	HJB 8241AA	3.E 18	HNA 3412AA	3.H 04	JET 200008	2.N 07	JFS 108127	1.G 05	JFY 10804B	2.C 17
HJA 8137BA	3.E 18	HJA 9181JC AGE	1.K 07	HJA 9512BA	1.K 08	HJB 8252AA	3.E 18	HNA 3414AA	3.C 15	JFB 10505B	2.G 05	JFS 10812F	1.H 04	JFY 10804B	1.K 05
HJA 8138AB	3.E 14	HJA 9181JC HDV	1.K 07	HJA 9512BB	1.K 08	HJB 8253AA	3.E 18	HNA 3414AA	3.C 18	JFB 10505B	2.G 06	JFS 10816B	1.G 17	JHC 200101	1.G 12
HJA 8170AD	3.E 09	HJA 9181JC LEG	1.K 07	HJA 9680AA	2.L 02	HJB 8254AA	3.E 18	HNA 3414AA	3.H 04	JFB 10505E	1.M 03	JFS 10816B	1.F 11	JHC 200101	1.G 13
HJA 8176AD	3.E 10	HJA 9181JC SDC	1.K 07	HJA 9682AA	2.L 02	HJB 8255AA	3.E 18	HNA 3415AA	3.C 15	JFB 10607B	1.D 14	JFS 10816F	2.F 07	JHC 200101	1.G 14
HJA 8202AB	3.E 16	HJA 9181JD AEK	1.K 07	HJB 2020AA AGD	2.M 04	HJB 8256AA	3.E 18	HNA 3415AA	3.C 16	JFB 10610B	1.H 08	JFS 108207	1.F 06	JHC 200101	1.G 09
HJA 8203AA	3.E 16	HJA 9181JD AGE	1.K 07	HJB 2020AA LFJ	2.M 04	HJB 9180CB AEK	1.K 08	HNA 3415AA	3.H 04	JFB 10607B	1.E 11	JFS 10820B	1.H 06	JHC 200101	1.G 10
HJA 8205FC	3.H 11	HJA 9181JD HDV	1.K 07	HJB 2021AA AGD	2.M 04	HJB 9180CB AGE	1.K 08	HNA 3416AA	3.C 15	JFB 10807N	1.D 17	JFS 10825B	1.H 08	JHC 200101	1.G 11
HJA 8205BD	3.E 16	HJA 9181JD LEG	1.K 07	HJB 2021AA LFJ	2.M 04	HJB 9180CB HDV	1.K 08	HNA 3416AA	3.C 16	JFB 10808B	2.F 05	JFS 10825E	1.N 09	JHC 201401	1.G 05
HJA 8210BB	3.E 09	HJA 9181JD SDC	1.K 07	HJB 264JAA	3.D 02	HJB 9180CB LEG	1.K 08	HNA 3416AA	3.H 04	JFB 10808B	1.D 08	JFS 10825F	2.C 02	JHC 300320	1.G 06
HJA 8210BB	3.E 10	HJA 9181SA LEG	3.H 18	HJB 3400AA	3.C 15	HJB 9181CB AEK	3.H 18	HNA 3417AA	3.C 17	JFB 10908B	1.G 02	JFS 10825F	3.C 04	JHC 300323	1.G 07
HJA 8210BB	3.E 11	HJA 9181SB LEG	3.H 18	HJB 3401AA	3.C 15	HJB 9181CB AGE	3.H 18	HNA 3420AA	3.C 17	JFB 10808B	1.G 03	JFS 10825F	2.H 07	JHC 300320	1.F 03
HJA 8210BB	3.E 12	HJA 9181SC LEG	3.H 18	HJB 3402AA	3.C 16	HJB 9181CB HDV	3.H 18	HNA 3421AA	3.C 00	JFB 10808E	2.F 05	JFS 10825F	2.I 04	JHC 300320	1.F 05
HJA 8211BB	3.E 09	HJA 9181UA LEG	1.K 08	HJB 3402AA	3.H 04	HJB 9181CB LEG	3.H 18	HNA 7211AA	3.D 13	JFB 10808E	1.I 08	JFS 10825F	1.K 03	JHC 300621	1.G 12
HJA 8211BB	3.E 10	HJA 9181UB LEG	1.K 08	HJB 3403AA	3.C 16	HJB 9181DA AEK	1.K 07	HNA 7230AA 1	3.E 03	JFB 10810B	1.K 04	JFS 10825F	3.H 18	JHC 300621	1.G 13

Jaguar XK8 Coupe/Convertible - Canada/USA

J07

Ficha 3

NUMERIC INDEX *JHC300621 * TO *JLM 20758 *

JHC 3006211.G 14	JLM	11464 CFS ...3.1	08	JLM	12031 HGF ...3.D 17	JLM	121881.M 06	JLM	20113 AEK ...3.H 14	JLM	202181.J 04	JLM	203301.J 15	JLM	205291.G 13		
JHC 3006211.G 09	JLM	11464 CGG ...3.1	08	JLM	12031 JHE ...3.D 17	JLM	121971.K 05	JLM	20113 HDX ...3.H 14	JLM	202191.J 04	JLM	203301.J 16	JLM	205291.G 10		
JHC 3006211.G 10	JLM	11464 CGL ...3.1	08	JLM	12031 JHF ...3.D 17	JLM	122041.G 12	JLM	20113 LFN ...3.H 14	JLM	202201.J 04	JLM	203311.J 15	JLM	205531.M 11		
JHC 3006211.G 11	JLM	11464 HDJ ...3.1	08	JLM	12031 JHH ...3.D 17	JLM	122041.G 08	JLM	20115 AEK ...3.H 15	JLM	202211.J 04	JLM	203311.J 16	JLM	205541.M 11		
JHC 3014201.H 06	JLM	11464 HFR ...3.1	08	JLM	12031 KDJ ...3.D 17	JLM	122493.I 09	JLM	20115 HDX ...3.H 15	JLM	202313.H 18	JLM	203321.J 15	JLM	205551.M 11		
JHC 3016211.N 16	JLM	11464 HGD ...3.1	08	JLM	12031 NDT ...3.D 17	JLM	123293.D 13	JLM	20115 LFN ...3.H 15	JLM	202321.M 10	JLM	203321.J 16	JLM	205561.M 11		
JHC 3017201.N 16	JLM	11464 HGF ...3.1	08	JLM	12031 NEE ...3.D 17	JLM	123381.M 10	JLM	201163.I 04	JLM	202331.M 10	JLM	203331.J 15	JLM	205813.H 18	
JHC 3020201.N 15	JLM	11464 JGE ...3.1	08	JLM	12031 PED ...3.D 17	JLM	123391.M 10	JLM	201161.H 07	JLM	202352.F 04	JLM	203331.J 16	JLM	205841.O 03	
JHC 3022201.N 15	JLM	11464 JGY ...3.1	08	JLM	12031 SEC ...3.D 17	JLM	123421.L 02	JLM	201173.I 03	JLM	202373.I 09	JLM	203341.J 15	JLM	205851.O 03	
JHC 3022301.K 03	JLM	11464 JGZ ...3.1	08	JLM	12032 CGG ...3.D 18	JLM	123753.I 07	JLM	201183.H 06	JLM	202421.N 13	JLM	203341.J 16	JLM	205881.J 02	
JHC 3022401.K 03	JLM	11464 JHE ...3.1	08	JLM	12032 HGD ...3.D 18	JLM	123833.H 03	JLM	201193.I 04	JLM	202431.N 13	JLM	203351.J 15	JLM	205781.D 07	
JHC 3022701.H 05	JLM	11464 JHF ...3.1	08	JLM	12032 HGF ...3.D 18	JLM	124331.N 03	JLM	201203.I 04	JLM	202461.N 13	JLM	203351.J 16	JLM	205791.H 08	
JHC 5014011.G 08	JLM	11464 JHH ...3.1	08	JLM	12032 JHE ...3.D 18	JLM	124341.N 03	JLM	201213.H 05	JLM	202471.N 13	JLM	203381.J 15	JLM	205312.K 11	
JHC 5014011.H 02	JLM	11464 KDJ ...3.1	08	JLM	12032 JHF ...3.D 18	JLM	124401.E 08	JLM	201213.H 05	JLM	202481.J 15	JLM	203361.J 16	JLM	205823.H 08	
JHG 10610F3.C 09	JLM	11464 LFA ...3.1	08	JLM	12032 JHH ...3.D 18	JLM	200131.M 07	JLM	201271.M 11	JLM	202431.J 16	JLM	203371.J 15	JLM	205803.I 03	
JHG 10616F1.N 12	JLM	11464 MDP ...3.1	08	JLM	12032 KOJ ...3.D 18	JLM	200613.G 06	JLM	201281.M 11	JLM	202491.J 15	JLM	203371.J 16	JLM	206011.J 15	
JHG 10625E1.N 07	JLM	11464 MDT ...3.1	08	JLM	12032 MDT ...3.D 18	JLM	200623.G 06	JLM	201291.M 11	JLM	202491.J 16	JLM	203421.M 10	JLM	206011.J 16	
JHG 10625E3.H 05	JLM	11464 NDM ...3.1	08	JLM	12032 NEE ...3.D 18	JLM	200633.G 12	JLM	201301.M 11	JLM	202501.J 15	JLM	203442.I 02	JLM	206033.H 18	
JHG 10625E3.G 16	JLM	11464 NEE ...3.1	08	JLM	12032 PED ...3.D 18	JLM	200643.G 12	JLM	201363.I 02	JLM	202501.J 16	JLM	203443.H 03	JLM	206102.C 16	
JHG 10625E M1.K 05	JLM	11464 PDX ...3.1	08	JLM	12032 SEC ...3.D 18	JLM	200951.D 07	JLM	201373.I 04	JLM	202511.J 15	JLM	20349 AEL3.E 09	JLM	206112.C 16	
JJK 1050112.G 04	JLM	11464 PEC ...3.1	08	JLM	12035 CGG ...3.E 02	JLM	200663.G 06	JLM	201383.H 05	JLM	202511.J 16	JLM	20349 ANR3.E 09	JLM	206191.O 02	
JJK 1050112.L 03	JLM	11464 PED ...3.1	08	JLM	12035 HGD ...3.E 02	JLM	200673.G 06	JLM	201401.E 10	JLM	202523.H 07	JLM	20349 HFV3.E 09	JLM	206211.J 16	
JJK 1050112.G 05	JLM	11464 SDN ...3.1	08	JLM	12035 HGF ...3.E 02	JLM	200683.G 06	JLM	201413.H 03	JLM	202553.I 09	JLM	20349 JFF3.E 09	JLM	20621 E1.J 16	
JJK 1050112.G 06	JLM	11464 SEC ...3.1	08	JLM	12035 JHE ...3.E 02	JLM	200693.G 06	JLM	201431.H 08	JLM	202551.J 16	JLM	20349 PDM3.E 09	JLM	206221.H 04	
JJK 1050112.G 07	JLM	114753.H 03	JLM	12035 JHF ...3.E 02	JLM	200703.G 09	JLM	201443.I 06	JLM	202571.M 10	JLM	20350 AEL3.E 10	JLM	206361.K 02	
JLM	6241.J 15	115233.H 03	JLM	12035 JHH ...3.E 02	JLM	200713.G 09	JLM	201453.H 06	JLM	202591.M 07	JLM	20350 ANR3.E 10	JLM	206372.C 04	
JLM	6241.J 16	115243.H 03	JLM	12035 KOJ ...3.E 02	JLM	200723.G 10	JLM	201471.D 12	JLM	202661.M 06	JLM	20350 HFV3.E 10	JLM	206372.C 02	
JLM	6321.J 15	116003.H 13	JLM	12035 MDT ...3.E 02	JLM	200733.G 10	JLM	201501.M 09	JLM	202713.I 09	JLM	20350 JFF3.E 10	JLM	206371.F 17	
JLM	6321.J 16	116903.H 02	JLM	12035 NEE ...3.E 02	JLM	200743.G 09	JLM	201511.J 15	JLM	202763.I 10	JLM	20350 PDM3.E 10	JLM	206372.C 06	
JLM	6661.J 12	118401.J 15	JLM	12035 PED ...3.E 02	JLM	200753.G 09	JLM	201611.K 11	JLM	202803.I 10	JLM	203651.K 03	JLM	206372.C 07	
JLM	8681.J 06	118401.J 16	JLM	12035 SEC ...3.E 02	JLM	200763.G 10	JLM	201621.K 11	JLM	202812.H 02	JLM	203743.H 17	JLM	206372.C 08	
JLM	10961.K 02	118453.H 12	JLM	12038 CGG ...3.D 18	JLM	200773.G 10	JLM	201631.D 06	JLM	202812.H 03	JLM	203813.I 06	JLM	206372.C 12	
JLM	13081.J 13	118983.I 02	JLM	12038 HGF ...3.D 18	JLM	200781.M 09	JLM	201631.E 10	JLM	202852.H 02	JLM	203821.O 02	JLM	206372.C 11	
JLM	17061.K 16	119052.I 02	JLM	12038 HGD ...3.D 18	JLM	200791.M 09	JLM	201671.J 15	JLM	202852.H 03	JLM	20404 13.I 09	JLM	206372.C 09	
JLM	18291.M 09	119451.N 02	JLM	12038 JHE ...3.D 18	JLM	200823.H 11	JLM	201681.J 15	JLM	202862.H 08	JLM	20404 23.I 09	JLM	206372.C 13	
JLM	21731.J 04	119461.N 02	JLM	12038 JHF ...3.D 18	JLM	200833.H 11	JLM	201841.N 08	JLM	202872.H 08	JLM*	20404 33.I 09	JLM	206721.K 03	
JLM	21911.M 09	119471.N 13	JLM	12038 JHH ...3.D 18	JLM	200853.H 11	JLM	201851.N 13	JLM	202911.G 17	JLM	20404 43.I 09	JLM	206831.K 02	
JLM	21921.M 09	119481.N 13	JLM	12038 KOJ ...3.D 18	JLM	200873.H 06	JLM	201861.N 05	JLM	203041.J 08	JLM	20404 53.I 09	JLM	206841.K 02	
JLM	21931.M 09	119491.N 13	JLM	12038 MDT ...3.D 18	JLM	200883.H 06	JLM	201872.F 04	JLM	203081.N 10	JLM	204081.K 11	JLM	206851.K 02	
JLM	21941.M 09	119541.N 08	JLM	12038 NEE ...3.D 18	JLM	200893.H 06	JLM	201881.N 03	JLM	203091.N 10	JLM	204091.K 11	JLM	206931.O 03	
JLM	21961.M 09	119571.N 03	JLM	12038 PED ...3.D 18	JLM	200913.H 17	JLM	201891.N 03	JLM	203153.I 09	JLM	204153.H 06	JLM	206941.O 03	
JLM	22011.M 10	119581.N 03	JLM	12038 SEC ...3.D 18	JLM	200923.H 02	JLM	202033.I 04	JLM	203221.J 15	JLM	204173.H 06	JLM	206951.O 03	
JLM	22021.M 10	119591.N 03	JLM	120811.M 06	JLM	200943.H 05	JLM	202041.J 06	JLM	203221.J 18	JLM	204271.O 05	JLM	206961.O 03
JLM	22031.M 10	119601.N 03	JLM	120821.M 06	JLM	200953.I 04	JLM	202051.J 06	JLM	203231.J 15	JLM	204503.I 09	JLM	207053.I 09
JLM	22041.M 10	119611.N 03	JLM	120831.M 08	JLM	200963.I 04	JLM	202071.J 02	JLM	203231.J 16	JLM	204511.J 15	JLM	207073.H 05
JLM	22051.M 10	119621.N 05	JLM	120841.M 06	JLM	200983.I 04	JLM	202081.J 02	JLM	203251.J 15	JLM	204511.J 16	JLM	207111.K 11
JLM	22061.M 10	119651.N 10	JLM	121201.M 10	JLM	200993.I 04	JLM	202091.J 02	JLM	203251.J 16	JLM	204573.H 07	JLM	207121.K 11
JLM	22091.M 10	119701.D 04	JLM	121211.M 10	JLM	201003.I 04	JLM	202101.J 12	JLM	203261.J 15	JLM	204623.H 06	JLM	207293.H 02
JLM	22131.M 09	119833.D 13	JLM	121221.M 10	JLM	201013.I 03	JLM	202111.J 12	JLM	203261.J 16	JLM	205013.H 18	JLM	207311.J 08
JLM	22491.M 10	119882.F 05	JLM	121231.M 10	JLM	201043.H 02	JLM	202121.J 04	JLM	203271.J 15	JLM	205163.I 03	JLM	207501.E 09
JLM	22501.M 10	119882.H 05	JLM	121241.M 10	JLM	201063.I 04	JLM	202131.J 04	JLM	203271.J 16	JLM	205173.H 03	JLM	207523.I 04
JLM	101673.I 02	119881.F 12	JLM	121363.I 04	JLM	201083.I 03	JLM	202141.J 02	JLM	203281.J 15	JLM	205183.H 06	JLM	207561.G 14
JLM	106863.H 07	119882.C 08	JLM	121841.M 06	JLM	201093.I 09	JLM	202151.J 06	JLM	203281.J 16	JLM	205193.H 06	JLM	207581.G 11
JLM	110041.M 10	12031 CGG ...3.D 17	JLM	121861.K 05	JLM	201093.I 10	JLM	202161.J 06	JLM	203291.J 15	JLM	205203.H 04	JLM	207573.I 04	
JLM	111873.H 02	12031 HGD ...3.D 17	JLM	121871.K 05	JLM	201103.I 02	JLM	202171.J 06	JLM	203291.J 16	JLM	205213.H 12	JLM	207583.H 07	

Table with multiple columns: Part Number, Description, Material, Quantity, Unit, Part Number, Description, Material, Quantity, Unit, Part Number, Description, Material, Quantity, Unit, Part Number, Description, Material, Quantity, Unit. Rows include part numbers like 20787, 20788, 20775, 20783, 20787 AEL, etc.

Jaguar XK8 Coupe/Convertible - Canada/USA

J09

Ficha 5

NUMERIC INDEX "LJA3080BE " TO "LJC3360AA "

LJA 3080BE	2 C 13	LJA 3707AD	2 C 05	LJA 4130AB	2 C 10	LJA 4683AD	2 H 02	LJA 6195BF	1 J 06	LJB 1515AA	1 F 06	LJB 3350AE	1 F 15	LJB 5000AA AEK	2 H 05
LJA 3080CG	2 C 13	LJA 3704AE	2 C 05	LJA 4130BA	2 G 03	LJA 4683AD	2 H 03	LJA 6201AC	1 J 07	LJB 1515AA	1 F 07	LJB 3350AJ	1 F 15	LJB 5000AA AGD	2 H 05
LJA 3100CF	2 C 03	LJA 3705AE	2 C 05	LJA 4130BA	2 C 10	LJA 4900BC	2 H 06	LJA 6211CE	2 E 10	LJB 1525AA	1 F 04	LJB 3350AK	1 F 15	LJB 5000AA AGE	2 H 05
LJA 3100DH	2 C 03	LJA 3707AB	2 C 17	LJA 4131AA	2 G 03	LJA 4900BD	2 H 06	LJA 6221DE	2 E 10	LJB 1525AA	1 F 05	LJB 3350EB	1 F 15	LJB 5000AA HDV	2 H 05
LJA 3120BE	2 C 02	LJA 3707BB	2 C 17	LJA 4133AB	2 G 03	LJA 4901BC	2 H 06	LJA 6229BA	2 E 10	LJB 1624AA	1 G 09	LJB 3355BA	1 F 17	LJB 5000AA HDX	2 H 05
LJA 3120BF	2 C 02	LJA 3710AB	2 C 16	LJA 4135AB	2 G 03	LJA 4901BD	2 H 06	LJA 6255AB	2 E 13	LJB 1624AA	1 G 10	LJB 3355CA	1 F 17	LJB 5000AA LEG	2 H 05
LJA 3180AG	2 C 07	LJA 3711AB	2 C 16	LJA 4140AA	2 G 06	LJA 5000AC AEK	2 H 05	LJA 6292HC	2 E 09	LJB 1624AA	1 G 11	LJB 3355DB	1 F 17	LJB 5000AA NED	2 H 05
LJA 3180BE	2 C 07	LJA 3730BC	2 F 03	LJA 4140AA	2 G 07	LJA 5000AC AGE	2 H 05	LJA 6292KC	2 E 09	LJB 1810AA	2 F 07	LJB 3410AD	2 C 02	LJB 5000AA SDG	2 H 05
LJA 3190BG	2 C 07	LJA 3732AB	2 F 05	LJA 4140BA	2 G 06	LJA 5000AC HDV	2 H 05	LJA 6292NC	2 E 09	LJB 1825AB	2 F 06	LJB 3410BD	2 C 03	LJB 5000AA SDZ	2 H 05
LJA 3325AC	3 I 04	LJA 3743AB	2 F 06	LJA 4140BA	2 G 07	LJA 5000AC HDX	2 H 05	LJA 6292PC	2 E 09	LJB 1853AA	2 F 03	LJB 35103E	2 C 11	LJB 5000AA AEK	2 H 05
LJA 3325AC	1 F 17	LJA 3741AB	1 G 12	LJA 4141AA	2 G 05	LJA 5000AC LEG	2 H 05	LJA 6292QC	2 E 09	LJB 2100AA	1 L 11	LJB 3510BF	2 C 11	LJB 5000AB AGE	2 H 05
LJA 3325AC	1 H 07	LJA 3744AC	1 C 14	LJA 4144BA	2 G 08	LJA 5000AC SDG	2 H 05	LJA 6318AB	2 E 09	LJB 2100BA	1 L 11	LJB 3510CE	2 C 11	LJB 5000AB HDX	2 H 05
LJA 3325AD	1 F 17	LJA 3744AC	1 G 13	LJA 4145AB	2 G 08	LJA 5001AC	2 H 05	LJA 6332AE	2 K 11	LJB 2290AA	2 H 10	LJB 3510CF	2 C 11	LJB 5000AB LEG	2 H 05
LJA 3325BB	3 I 04	LJA 3744AC	1 G 14	LJA 4145AB	2 G 07	LJA 5003AA XXX	2 H 05	LJA 6332AG	2 K 11	LJB 2410BA	1 F 09	LJB 3510DE	2 C 11	LJB 5000AB SDG	2 H 05
LJA 3325BB	1 F 17	LJA 3744AC	1 G 09	LJA 4150BA	2 G 05	LJA 5003AB XXX	2 H 05	LJA 6332BB	2 K 11	LJB 2410CA	1 F 09	LJB 3510EE	2 C 11	LJB 5001AB	2 H 05
LJA 3325BB	1 H 07	LJA 3744AC	1 G 10	LJA 4150CA	2 G 05	LJA 5034AB	2 H 04	LJA 6345AD	2 E 11	LJB 2410DA	1 F 09	LJB 3540AD	3 H 08	LJB 5001AC	2 H 05
LJA 3350AF	1 F 15	LJA 3744AC	1 G 11	LJA 4150CA	2 G 06	LJA 5034AC	2 H 04	LJA 6349AB	3 H 08	LJB 2410EB	1 F 09	LJB 3540AD	3 H 09	LJB 6030AA AGD	2 K 12
LJA 3350AH	1 F 15	LJA 3745AA	2 C 14	LJA 4150DB	2 G 07	LJA 5034BB	2 H 04	LJA 6349AB	3 H 08	LJB 2410FB	1 F 09	LJB 3600AE	2 C 05	LJB 6030AA HDX	2 K 12
LJA 3355AD	1 F 17	LJA 3831AB	2 C 08	LJA 4151BA	2 G 05	LJA 5034BC	2 H 04	LJA 6382AB	2 K 11	LJB 2412BA	1 F 09	LJB 3600CF	2 C 05	LJB 6030AA LEG	2 K 12
LJA 3355AE	1 F 17	LJA 3832AB	2 C 04	LJA 4151CA	2 G 05	LJA 5090AC	2 H 07	LJA 6382AC	2 K 11	LJB 2413AA	1 F 09	LJB 3650AE	2 C 09	LJB 6030AA NED	2 K 12
LJA 3355CD	1 F 17	LJA 3832BC	2 C 02	LJA 4151CA	2 G 06	LJA 5091AC	2 H 07	LJA 6455BC	2 E 07	LJB 2413BB	1 F 09	LJB 3650AG	2 C 09	LJB 6030AA SDZ	2 K 12
LJA 3355DB	1 F 17	LJA 3832CB	1 F 16	LJA 4151DB	2 G 07	LJA 5180BA	2 H 05	LJA 6460BC	2 E 07	LJB 2414AA	1 F 09	LJB 3650BE	2 C 09	LJB 6035AA AGD	2 K 12
LJA 3360AA	1 G 12	LJA 3832DB	1 F 16	LJA 4158AA	2 G 05	LJA 5180DA	2 E 11	LJA 6470BA	2 E 07	LJB 2500AC	2 E 15	LJB 3650BG	2 C 09	LJB 6035AA HDX	2 K 12
LJA 3360AA	1 G 09	LJA 3832JC	2 C 13	LJA 4162AA	2 G 04	LJA 5350BA	2 H 09	LJA 6470BB	2 E 07	LJB 2500AD	2 E 15	LJB 3650CE	2 C 09	LJB 6035AA LEG	2 K 12
LJA 3410AF	2 C 02	LJA 3832LA	2 C 04	LJA 4170AA	2 G 06	LJA 5370AA	2 H 09	LJA 6475CB	2 E 07	LJB 2500AE	2 E 15	LJB 3650CG	2 C 09	LJB 6035AA NED	2 K 12
LJA 3410BE	2 C 03	LJA 3838AA	1 F 16	LJA 4170BA	2 G 07	LJA 5370AB	2 H 09	LJA 6490AC	2 E 08	LJB 2600AB	2 E 15	LJB 3650DE	2 C 09	LJB 6035AA SDZ	2 K 12
LJA 3410BF	2 C 03	LJA 3837AA	1 F 16	LJA 4171AA	2 C 10	LJA 5371AA	2 H 09	LJA 6500AB	2 E 06	LJB 2600AA	2 I 03	LJB 3650DG	2 C 09	LJB 6221AA	2 E 10
LJA 3510AE	2 C 11	LJA 3862HB	2 C 09	LJA 4171BA	2 C 10	LJA 5371AB	2 H 09	LJA 6702AA	1 N 12	LJB 2600AA	2 C 16	LJB 3652AA	2 C 12	LJB 6221BA	2 E 10
LJA 3510AF	2 C 11	LJA 3862LA	2 C 09	LJA 4300AE	2 E 02	LJA 5380BA	2 H 09	LJA 6703AA	1 F 10	LJB 2800BB	2 C 16	LJB 3652BA	2 C 12	LJB 6318AA	2 E 09
LJA 3510BE	2 C 11	LJA 3862SA	2 C 10	LJA 4300AG	2 E 02	LJA 5385AA	2 H 09	LJA 6707AA	2 D 02	LJB 2800CA	2 C 16	LJB 3670AC	2 C 03	LJB 6420AA	1 M 02
LJA 3510BF	2 C 11	LJA 3862TA	2 C 04	LJA 4300BF	2 E 02	LJA 5385AB	2 C 03	LJA 6735AB	2 D 02	LJB 2800FA	2 C 16	LJB 3670BB	2 C 03	LJB 6420BA	1 M 02
LJA 3510CE	2 C 11	LJA 3862TB	2 C 04	LJA 4300CG	2 E 02	LJA 6019AD	2 E 12	LJA 6743AA	2 C 02	LJB 2822AB	2 C 16	LJB 3730AA	2 F 03	LJB 6455AA	2 E 07
LJA 3510CF	2 C 11	LJA 3862UA	2 C 04	LJA 4300DE	2 E 02	LJA 6030BA AGD	2 K 12	LJA 6743AA	1 F 16	LJB 2822BB	2 C 16	LJB 3732AA	2 F 05	LJB 7321AA	3 H 08
LJA 3540AE	3 H 08	LJA 3862UA	2 C 02	LJA 4300DF	2 E 02	LJA 6030BA HDX	2 K 12	LJA 7030CE	1 O 03	LJB 2822DB	2 C 16	LJB 3743AB	2 F 06	LJB 7321AA	3 H 09
LJA 3600AE	2 C 05	LJA 3890CB	2 C 02	LJA 4310AF	2 E 03	LJA 6030BA LEG	2 K 12	LJA 7030DE	1 O 03	LJB 2870AB	2 C 15	LJB 3832CA	2 C 04	LJB 7800AA	1 N 02
LJA 3600AG	2 C 05	LJA 3890DB	2 C 13	LJA 4310AG	2 E 03	LJA 6030BB AGD	2 K 12	LJA 7031AA	1 O 03	LJB 2870AC	2 C 15	LJB 3890EA	2 C 04	LJC 1525AB	1 F 06
LJA 3650AE	2 C 09	LJA 3890HA	2 F 05	LJA 4390AA	2 E 03	LJA 6030BB HDX	2 K 12	LJA 7033BB	1 O 03	LJB 3010CF	2 C 06	LJB 4100BA	2 G 02	LJC 2900CA	2 C 16
LJA 3650AF	2 C 09	LJA 3909NA	2 F 06	LJA 4390BA	2 E 03	LJA 6030BB LEG	2 K 12	LJA 7037CA	1 O 03	LJB 3010JE	2 C 06	LJB 4130AA	2 G 03	LJC 3100CD	2 C 18
LJA 3650BE	2 C 09	LJA 3890PD	1 F 11	LJA 4390CA	2 E 03	LJA 6030BB NDR	2 K 12	LJA 7050AD	1 O 06	LJB 3080AD	2 C 05	LJB 4130AA	2 G 03	LJC 3070DC	2 C 18
LJA 3650BF	2 C 09	LJA 3890SB	1 F 16	LJA 4510AF	2 H 03	LJA 6030BB WED	2 K 12	LJA 7051AD	1 O 06	LJB 3080BE	2 C 05	LJB 4130BA	2 G 03	LJC 3070DD	2 C 18
LJA 3650CF	2 C 09	LJA 3890SC	1 F 16	LJA 4510AG	2 H 03	LJA 6030BB SDG	2 K 12	LJA 7054EA	1 O 06	LJB 3070CE	2 C 13	LJB 4130BA	2 C 10	LJC 3075BC	1 G 14
LJA 3650DE	2 C 09	LJA 3890TB	1 F 16	LJA 4511AF	2 H 03	LJA 6030BB SDZ	2 K 12	LJA 7054FA	1 O 06	LJB 3070DE	2 C 13	LJB 4150AA	2 G 05	LJC 3075BC	1 G 11
LJA 3650DF	2 C 09	LJA 3890VA	1 J 09	LJA 4511AG	2 H 03	LJA 6035BA AGD	2 K 12	LJA 7055EA	1 O 06	LJB 3075BA	2 C 13	LJB 4150BA	2 G 07	LJC 3100CE	2 C 03
LJA 3652AD	2 C 03	LJA 3890WA	1 F 08	LJA 4512AD	2 H 02	LJA 6035BA HDX	2 K 12	LJA 7055FA	1 O 06	LJB 3080AD	2 C 13	LJB 4150CA	2 G 05	LJC 3100DE	2 C 03
LJA 3652AD	2 C 12	LJA 3890WA	2 C 06	LJA 4512AF	2 H 02	LJA 6035BA LEG	2 K 12	LJA 7070AD	1 O 06	LJB 3080BD	2 C 13	LJB 4151AA	2 G 05	LJC 3120BE	2 C 02
LJA 3652BD	2 C 12	LJA 3890YB	2 C 06	LJA 4513AD	2 H 02	LJA 6035BB AGD	2 K 12	LJA 7100AC	1 O 02	LJB 3080CD	2 C 13	LJB 4151BA	2 G 07	LJC 3190AC	2 C 07
LJA 3670AD	2 C 03	LJA 3890YC	2 C 08	LJA 4513AF	2 H 02	LJA 6035BB HDX	2 K 12	LJA 7103AF	1 O 03	LJB 3100CE	2 C 03	LJB 4151CA	2 G 05	LJC 3190BC	2 C 07
LJA 3670BD	2 C 03	LJA 3896AC	2 M 08	LJA 4850AA	2 H 03	LJA 6035BB LEG	2 K 12	LJA 7328BA	3 H 08	LJB 3100CG	2 C 03	LJB 4162AA	2 G 04	LJC 3230AF	1 F 15
LJA 3670BE	2 C 03	LJA 3896BB	1 F 16	LJA 4850BA	2 H 02	LJA 6035BB NDR	2 K 12	LJA 7600AC	1 N 02	LJB 3100DE	2 C 03	LJB 4162BA	2 G 04	LJC 3350EC	1 F 15
LJA 3690AB	2 F 02	LJA 3896BC	1 F 16	LJA 4851AA	2 H 03	LJA 6035BB SDZ	2 K 12	LJA 7604AA	1 N 11	LJB 3100DG	2 C 03	LJB 4170AA	2 G 06	LJC 3350GB	1 F 15
LJA 3692AB	2 C 17	LJA 4000AA	2 I 04	LJA 4851BA	2 H 02	LJA 6035BB SDG	2 K 12	LJA 7605AB	1 N 11	LJB 3120BE	2 C 02	LJB 4170BA	2 G 07	LJC 3355CD	1 F 17
LJA 3692AC	2 C 17	LJA 4001AA	2 I 04	LJA 4860AA	2 H 02	LJA 6035BB SDZ	2 K 12	LJA 7658AB	1 N 14	LJB 3120BF	2 C 02	LJB 4171AB	2 C 10	LJC 3355DB	1 F 17
LJA 3695AA	2 F 02	LJA 4100BA	2 G 02	LJA 4860AE	2 H 03	LJA 6150AA	2 H 09	LJA 7696AB	1 N 10	LJB 3120DF	2 C 02	LJB 4171BB	2 C 10	LJC 3360AA	1 G 13
LJA 3700AB	2 C 16	LJA 4120AB	2 G 03	LJA 4862AD	2 H 02	LJA 6195BD	1 J 08	LJA 7696BB	1 N 10	LJB 3190AF	2 C 07	LJB 4310AA	2 E 03	LJC 3360FA	1 G 14
LJA 3700AC	2 C 16	LJA 4130AB	2 G 03	LJA 4862AD	2 H 03	LJA 6195BE	1 J 08	LJB 1515AA	1 F 03	LJB 3190BD	2 C 07	LJB 4310AB	2 E 03	LJC 3360AA	1 G 10

Jaguar XK8 Coupe/Convertible - Canada/USA

J10
Fiche 3

NUMERIC INDEX *JC3360AA *TO *MNA2886AA *

LJC 3800AA	1 G 11	LNC 1410CA	2 E 14	LST 8738AA	2 C 18	MJA 1487BA	1 K 14	MJA 35400C	1 L 02	MJA 4914AA	1 J 08	MJA 5910FC	1 M 06	MJA 7200AA	1 N 14
LJC 3800CA	2 C 05	LNC 1410EA	2 E 14	LST 8737AA	2 C 18	MJA 1628DA	1 K 13	MJA 3700AA	1 L 03	MJA 4933AA	1 J 08	MJA 5910GB	1 M 06	MJA 7300AB	1 N 09
LJC 3850AA	2 C 08	LNC 1824AA	1 G 11	LST 8738AA	2 C 18	MJA 1629DA	1 K 13	MJA 3700BA	1 L 03	MJA 4940AE	1 J 09	MJA 5911AF	1 M 11	MJA 7410AE	1 N 09
LJC 3850CA	2 C 08	LNC 1800AA	2 F 04	LST 8739AA	2 C 18	MJA 1930AD	1 K 13	MJA 3701AA	1 L 03	MJA 4940AF	1 J 09	MJA 5924AB	1 M 11	MJA 7420AC	1 N 09
LJC 3850CA	2 C 08	LNC 2401AA	1 F 08	LST 8740AA	2 C 18	MJA 1837AE	1 K 13	MJA 3701BA	1 L 03	MJA 4940AG	1 J 09	MJA 5927BC	1 M 11	MJA 7500AE	1 D 04
LJC 3850DA	2 C 09	LNC 2401AB	1 F 08	LXF 2280AA	2 E 07	MJA 1837AF	1 K 13	MJA 3713AA	1 L 05	MJA 4948AA	1 J 08	MJA 6116AB	3 I 02	MJA 7500AF	1 D 04
LJC 3852AA	2 C 12	LNC 2401AC	1 F 08	LXF 4160BA	2 G 04	MJA 1845AA	1 K 13	MJA 3713AD	1 L 05	MJA 4949AA	1 J 08	MJA 6116AB	1 L 09	MJA 7580AA	3 G 15
LJC 3852BA	2 C 12	LNC 2401EA	1 F 08	LXF 4160CA	2 G 04	MJA 1849BE	1 K 13	MJA 3715AA	1 L 05	MJA 4950AA AEK	1 J 08	MJA 6116BB	3 I 02	MJA 7580AB	3 G 15
LJC 3892AA	2 C 17	LNC 2401EB	1 F 08	LXF 4160CA	3 H 11	MJA 1932AA	1 K 13	MJA 3715AB 2	1 L 05	MJA 4950AA AGE	1 J 08	MJA 6116BB	1 L 08	MJA 7600AG	1 D 05
LJC 3707AA	2 C 17	LNC 2410RA	1 F 09	LXF 4161AA	2 G 04	MJA 1933AA	1 K 13	MJA 3715AB	1 L 06	MJA 4950AA HDV	1 J 08	MJA 6118AA	3 I 02	MJA 7600AH	1 D 05
LJC 3707FA	2 C 17	LNC 2620AB	2 I 02	LXF 4161AA	3 H 11	MJA 1842AC	1 K 13	MJA 3801AD E	1 K 02	MJA 4950AA LEG	1 J 08	MJA 6118BA	3 I 02	MJA 7702AC	3 G 06
LJC 3896AA	1 F 16	LNC 2620BA	2 I 02	MCA7300AD	1 N 08	MJA 1843AC	1 K 13	MJA 3801AD N	1 K 02	MJA 4950AA SDC	1 J 08	MJA 6190BC	1 L 10	MJA 7750AD	2 M 08
LJC 6576AA	1 G 06	LNC 2685AA	2 I 02	MCA7300AE	1 N 08	MJA 1864AA	1 K 13	MJA 3902DA	1 K 02	MJA 5140BB	1 M 07	MJA 6192AA	1 L 10	MJA 8081AC	1 K 02
LJC 6571AA	1 G 06	LNC 2670AB	2 C 15	MCA7510AB	1 D 04	MJA 1964AB	1 K 13	MJA 3902EA	1 K 02	MJA 5143AA	1 M 08	MJA 6380AB	3 I 05	MJA 8084AB	1 K 03
LMB 3741AA	2 C 14	LNC 3690AA	2 F 02	MCA7510AC	1 D 04	MJA 2100DF	1 K 09	MJA 3903AA	1 K 02	MJA 5149AD	1 M 08	MJA 6373AB	3 I 05	MJA 8111BF	1 K 04
LMD 4137AA	2 G 03	LNC 3685AA	2 F 02	MCA7511AB	1 D 04	MJA 2100DH	1 K 09	MJA 3903BF	1 K 02	MJA 5149BA	1 M 08	MJA 6374AB	3 I 05	MJA 8111BG	1 K 04
LNA 1250AB	2 F 02	LNC 3685AC	2 F 02	MCA7511AC	1 D 04	MJA 2101AA	1 K 09	MJA 3980AD	1 K 03	MJA 5156AA	1 M 08	MJA 6375AA	3 I 05	MJB 1340AA	1 K 14
LNA 1250AB 1	2 F 02	LNC 3700AB	2 C 18	MHC3397AA 1	1 K 18	MJA 2102CE	1 K 09	MJA 3985AF	1 K 03	MJA 5163AC	1 M 08	MJA 6440AE	1 N 02	MJB 1341AA	1 K 14
LNA 1600AA	1 F 11	LNC 3714AA	2 F 03	MHC3397AA 10	1 K 18	MJA 2105AE	1 K 09	MJA 3992AC	1 K 03	MJA 5165AC	1 M 08	MJA 6446AC	1 N 13	MJB 1420AB	1 K 14
LNA 2649AA	2 C 15	LNC 3732AB	2 F 05	MHC3397AA 11	1 K 18	MJA 2105AF	1 K 09	MJA 4000AB	1 K 03	MJA 5169AB	1 M 08	MJA 6510AA	1 N 02	MJB 1421AB	1 K 14
LNA 3850DA	1 F 16	LNC 3890TA	1 J 08	MHC3397AA 12	1 K 18	MJA 2105AG	1 K 09	MJA 4000AC	1 K 03	MJA 5171AB	1 M 08	MJA 6520AA	1 N 03	MJB 3953AA	1 K 02
LNA 4194AA	2 G 03	LNC 4160AA	2 G 04	MHC3397AA 13	1 K 18	MJA 2140DG	1 K 11	MJA 4003AB	1 K 03	MJA 5175AA	1 M 08	MJA 6521AA	1 N 05	MJB 3953BA	1 K 02
LNA 4198AA	2 G 03	LNC 4300AG	2 E 02	MHC3397AA 2	1 K 18	MJA 2140DH	1 K 11	MJA 4021AB	1 K 03	MJA 5193AA	1 M 08	MJA 6551BA	1 N 11	MJB 4003AA	1 K 03
LNA 5180AA	2 H 11	LNC 4300AH	2 E 02	MHC3397AA 3	1 K 18	MJA 2148AA	1 K 11	MJA 4021BC	1 K 03	MJA 5372AA	1 M 02	MJA 6552AA	1 N 11	MJB 4190AD	1 H 04
LNA 5180AA	2 H 09	LNC 4300CG	2 E 02	MHC3397AA 4	1 K 18	MJA 2150BA	1 K 11	MJA 4180AD	1 H 04	MJA 5374BC	1 M 02	MJA 6554AA	1 N 11	MJB 4452AA	1 H 02
LNA 5180BA	2 H 11	LNC 4300CH	2 E 02	MHC3397AA 5	1 K 18	MJA 2153AB	1 K 11	MJA 4190AE	1 H 04	MJA 5380BE	1 G 06	MJA 6822AD	1 N 04	MJB 4465AA	1 H 02
LNA 5180BA	2 E 09	LNC 4300DB	2 E 02	MHC3397AA 6	1 K 18	MJA 2182AA	1 K 11	MJA 4210AA	1 H 04	MJA 5383AA	1 G 06	MJA 6822AC	1 N 04	MJB 5160AA	1 M 07
LNA 5180CA	2 H 11	LNC 4300DC	2 E 02	MHC3397AA 7	1 K 18	MJA 2182BA	1 K 11	MJA 4211AA	1 H 04	MJA 5412AA	1 M 02	MJA 6870AA	1 N 04	MJB 5722AA	1 M 04
LNA 5180CA	2 E 09	LNC 4300FB	2 E 02	MHC3397AA 8	1 K 18	MJA 2182BB	1 K 11	MJA 4212AA	1 H 04	MJA 5670AD	1 M 03	MJA 6900AA	1 N 04	MJB 5754BA	1 M 03
LNA 5740AB	1 H 02	LNC 4300FC	2 E 02	MHC3397AA 9	1 K 18	MJA 2182CA	1 K 11	MJA 4213AA	1 H 04	MJA 5670BB	1 M 05	MJA 6991AA	1 N 04	MJB 5758CA	1 M 03
LNA 5850AA	1 J 10	LNC 6242AA	3 F 02	MHD7372AA	1 N 09	MJA 2186BA	1 K 11	MJA 4214AB	1 H 04	MJA 5670BB	1 M 04	MJA 6710AA	1 N 15	MJB 5758DA	1 M 03
LNA 5860AA	1 K 05	LNC 6242AB	3 F 02	MHD7372BA	1 N 14	MJA 2186BB	1 K 11	MJA 4242CB	1 H 04	MJA 5704AD	1 M 03	MJA 6712AA	1 N 15	MJB 5780AA	1 M 03
LNA 6242AC	3 F 02	LNC 6507AA	1 K 05	MHD7377AA	1 N 09	MJA 2186BC	1 K 11	MJA 4243AB	1 H 04	MJA 5704BE	1 M 03	MJA 6720AF	1 N 15	MJB 5911AA	1 M 11
LNA 6465AA	2 E 06	LND 2410AB	1 G 09	MHD7377BA	1 N 14	MJA 2170BC	1 K 11	MJA 4270AB	1 H 03	MJA 5712AC	1 M 05	MJA 6721AF	1 N 15	MJB 5927BA	1 M 11
LNA 6492AA	2 E 06	LNE 1522AC	1 F 10	MHF 5142AA	1 M 07	MJA 2170BD	1 K 11	MJA 4400AE	1 H 02	MJA 5712AC	1 M 04	MJA 6726AF	1 N 15	MJB 7750BA	2 M 08
LNA 6507BB	1 K 05	LNE 1580AD	1 G 03	MHF 5152AA	1 M 07	MJA 2189AA	1 K 11	MJA 4440BA	1 H 02	MJA 5714AC	1 M 05	MJA 6728AC	1 N 15	MJC 3901AB E	1 K 02
LNA 6520BA	1 F 12	LNE 1620CA	1 G 05	MHF 6775AA	1 G 18	MJA 2232AF	1 K 18	MJA 4453AB	1 H 02	MJA 5714AC	1 M 04	MJA 6731AA	1 N 15	MJC 3901AB N	1 K 02
LNA 6700AA	2 D 02	LNE 2401AB	1 F 08	MHF 6778AA	1 G 18	MJA 2390AE	1 K 09	MJA 4480AC	1 H 02	MJA 5716AD	1 M 05	MJA 6739AB	1 N 15	MJC 4700BA	1 G 08
LNA 6705AA	2 D 02	LRA 1250AA	2 F 02	MJA 1340AF	1 K 14	MJA 2360AG	1 K 18	MJA 4486AA	1 H 02	MJA 5724AB	1 M 03	MJA 6811AA	1 N 05	MJC 5718AA	1 M 05
LNA 6705AB	2 D 02	LRA 2500A 1	2 F 02	MJA 1340AG	1 K 14	MJA 2370AH	1 K 16	MJA 4487AA	1 H 02	MJA 5746AD	1 M 04	MJA 6858AA	1 N 07	MJC 6728AA	1 N 15
LNA 7031BA	1 C 03	LRA 1536BA	1 E 03	MJA 1341AF	1 K 14	MJA 2547AA	1 K 16	MJA 4468AD	1 H 02	MJA 5748AB	1 M 05	MJA 6858AA	3 H 05	MMB2860AA	1 L 05
LNA 7037AA	1 O 03	LRA 1646BC	1 F 11	MJA 1341AG	1 K 14	MJA 2590BE	1 L 03	MJA 4471AA	1 H 02	MJA 5748AB	1 M 04	MJA 6860AE	1 N 07	MMB2882AA	1 L 05
LNA 7071AA	1 O 08	LRA 1646DB	1 F 11	MJA 1346AF	1 K 14	MJA 2590BF	1 L 03	MJA 4480AD	1 H 02	MJA 5754BD	1 M 03	MJA 6863AA	1 N 07	MMB1344FA	1 L 09
LNA 7072AA	1 O 08	LST 8724AA	2 C 18	MJA 1380AF	1 K 14	MJA 2590BG	1 L 03	MJA 4500AE	1 H 05	MJA 5756CE	1 M 03	MJA 6863AA	3 H 05	MMB1344FA	1 L 05
LNA 7307AA AGD	3 H 08	LST 8725AA	2 C 18	MJA 1380BA	1 K 14	MJA 2595AB	1 L 03	MJA 4510AD	1 H 05	MJA 5760AG	1 M 03	MJA 6865AA	1 N 07	MMB6380AA	1 L 05
LNA 7307AA ASD	3 H 09	LST 8726AA	2 C 18	MJA 1372AA	1 K 14	MJA 2595AC	1 L 03	MJA 4560BC	1 H 02	MJA 5772AC	1 M 03	MJA 6865AA	3 H 05	MMD2960AA	1 L 05
LNA 7307AA LFJ	3 H 08	LST 8727AA	2 C 18	MJA 1373AA	1 K 14	MJA 2617AA	1 L 05	MJA 4560DB	1 H 02	MJA 5778AA	1 M 03	MJA 6908AG	1 N 04	MMD2961AA	1 L 05
LNA 7307AA LFJ	3 H 09	LST 8728AA	2 C 18	MJA 1374AA	1 K 14	MJA 2622AA	1 L 03	MJA 4620BD	1 G 06	MJA 5778BA	1 M 03	MJA 6907AG	1 N 04	MMD3470AA	1 L 02
LNA 7625AC	1 N 11	LST 8729AA	2 C 18	MJA 1375AA	1 K 14	MJA 2744AA	1 M 06	MJA 4700BE	1 G 06	MJA 5786AA	1 M 03	MJA 7310AG	1 N 14	MMD3563AA	1 L 02
LNA 7698AA	2 N 04	LST 8730AA	2 C 18	MJA 1420AH	1 K 14	MJA 2796AA	1 M 08	MJA 4710BA	1 G 06	MJA 5808AB	1 M 03	MJA 7312CA	1 N 14	MMD3565AA	1 L 02
LNB 3740AA	2 C 14	LST 8731AA	2 C 18	MJA 1421AH	1 K 14	MJA 3290AA	1 K 18	MJA 4713AA	1 G 06	MJA 5813BA	1 M 03	MJA 7340AE	1 N 14	MNA 2742AA	1 M 08
LNC 1410AC	2 E 14	LST 8732AA	2 C 18	MJA 1450BA	1 K 14	MJA 3291AA	1 K 18	MJA 4715BB	1 G 06	MJA 5813BA	1 M 05	MJA 7341BD	1 N 14	MNA 2743AA	1 M 08
LNC 1410AD	2 E 14	LST 8733AA	2 C 18	MJA 1455AD	1 K 15	MJA 3500DF	1 K 10	MJA 4830AC	1 J 11	MJA 5813BA	1 M 04	MJA 7360AA	1 N 14	MNA 2855BC	1 L 05
LNC 1410AF	2 E 14	LST 8734AA	2 C 18	MJA 1482AB	1 K 14	MJA 3502DD	1 K 10	MJA 4830AE	1 J 11	MJA 5821AA	1 M 03	MJA 7361AA	1 N 14	MNA 2855BD	1 L 05
LNC 1410BB	2 E 14	LST 8735AA	2 C 18	MJA 1487AA	1 K 14	MJA 3540DB	1 L 02	MJA 4912AB	1 J 08	MJA 5824AA	1 M 03	MJA 7379CA	1 N 14	MNA 2885AA	1 L 05

Jaguar XK8 Coupe/Convertible - Canada/USA

J11
Fiche 3

NUMERIC INDEX *MNA2885BA * TO *NJA6026CB *

Table with columns for model codes (e.g., MNA 2885BA), quantities, and alphanumeric identifiers. The table lists various Jaguar XK8 configurations and their corresponding parts or inventory numbers.

NJA 8029AC	1.G 12	NJB 4400AB E	1.J 02	NJC 8067AA	1.F 06	NNC 4520DA	1.J 05	NT 108041	3.H 03	WE 108001	3.H 03
NJA 8029AC	1.G 13	NJB 4400AB N	1.J 02	NJC 8068CA	1.F 06	NNC 4744EA	1.H 04	NTF 4410AB	1.J 04	WF 106001 J	2.G 03
NJA 8029AC	1.G 14	NJB 4400BA E	1.J 02	NJC 5171AA	1.F 06	NNC 51715AA	1.J 15	NTF 4415AB E	1.J 03	WF 106001 J	2.C 03
NJA 8029AC	1.G 09	NJB 4400BA N	1.J 02	NJC 6108AB	1.F 06	NNC 5715AA	1.J 16	NTF 4415AB N	1.J 03	WF 110001 J	2.C 14
NJA 8029AC	1.G 10	NJB 4500AB	1.J 05	NJC 6108BB	1.F 06	NND 6025AF	1.G 13	NTF 4415AC	1.J 03	WF 110001 J	2.M 03
NJA 8029AC	1.G 11	NJB 4510AA	1.J 05	NJC 6784AA	1.I 03	NND 6025AA	1.G 14	NTF 4415BC	1.J 03	WF 703080	3.H 11
NJA 8045BE	1.G 16	NJB 4744AB	1.H 04	NJC 6785AA	1.I 03	NND 6025AA	1.G 10	NTF 4435AA	1.J 02	WF 703080 J	2.G 04
NJA 8050BB	1.G 15	NJB 4744BB	1.H 04	NMD 6091AC	3.I 10	NND 6025AA	1.G 11	NV 105041 J	2.F 05	WJ 106001	1.N 09
NJA 8053AD	1.G 17	NJB 5821BB	1.M 08	NMD 6091AC	1.G 07	NND 6025BA	1.G 13	NV 105041 J	2.F 06	WJ 106001 J	1.O 04
NJA 8068DA	1.G 09	NJB 5908AB	1.G 09	NNA 5954AA	1.G 12	NND 6025BA	1.G 14	NV 112051 J	1.J 14	WJ 106001 J	1.N 03
NJA 8068DA	1.G 10	NJB 5908BB	1.G 10	NNA 5954AA	1.G 13	NND 6025BA	1.G 10	NV 607041 J	1.J 13	WJ 108001	1.M 07
NJA 8068DA	1.G 11	NJB 5908CB	1.G 13	NNA 5954AA	1.G 14	NND 6025BA	1.G 11	NY 106041 J	2.I 02	WJ 112001	3.G 15
NJA 8068EA	1.F 03	NJB 5973AA	1.G 07	NNA 5954AA	1.G 09	NND 6092AA	1.F 06	NY 106041 J	1.J 08	WJ 112001	1.L 04
NJA 8069AC	1.G 07	NJB 6028AB	1.F 04	NNA 5954AA	1.G 10	NND 6124AC	1.F 06	NY 108041 J	1.M 06	WJ 800041	3.D 06
NJA 8069CC	1.F 03	NJB 6028BA	1.F 04	NNA 6020AA	1.G 12	NND 6125AC	1.F 06	NY 108041 J	1.J 10		
NJA 8069CC	1.F 04	NJB 6028BA	1.F 05	NNA 6020AA	1.G 13	NND 6128AA	1.G 11	NY 110041	1.K 11		
NJA 8079BA	1.F 03	NJB 6028BA	1.F 07	NNA 6020AA	1.G 14	NND 6129AA	1.G 11	NY 110041	1.K 10		
NJA 8070CC	1.F 03	NJB 6028DA	1.F 05	NNA 6020AA	1.G 09	NND 6530BA	1.G 11	NY 110041	1.M 02		
NJA 8083AE	1.G 17	NJB 6028HA	1.F 07	NNA 6020AA	1.G 10	NND 6531AA	1.G 11	NY 112041	1.K 12		
NJA 8086AC	1.G 07	NJB 6068AA	1.F 05	NNA 6020AA	1.G 11	NNE 1002PB E	1.D 02	NY 112041 J	1.L 03		
NJA 8104CB	1.G 07	NJB 6098AA	1.F 06	NNA 6025AA	1.G 12	NNE 1002PB N	1.D 02	NY 112041 J	1.L 05		
NJA 8104CB	1.F 03	NJB 6098AA	1.F 07	NNA 6025AA	1.G 09	NNE 1800AD 1	1.D 12	NY 112041 J	1.K 09		
NJA 8104CC	1.F 04	NJB 6069AC	1.G 07	NNA 6025BA	1.G 12	NNE 1800AD 2	1.D 12	NY 116041 J	1.L 06		
NJA 8104CD	1.F 05	NJB 6091AA	1.G 14	NNA 6025BA	1.G 09	NNE 1800AD 3	1.D 12	PC 108291	1.M 08		
NJA 8107AB	1.F 03	NJB 6091AA	1.G 11	NNA 6029BA	1.G 11	NNE 1706AC	1.G 11	PS 605071	1.G 06		
NJA 8108DB	1.F 03	NJB 6092AA	1.F 04	NNA 6068KA 6	1.G 12	NNE 1723AA	1.D 08	RU 612503 J	1.K 16		
NJA 8108DC	1.F 04	NJB 6092AA	1.F 05	NNA 6068KA 6	1.G 13	NNE 1750AA	1.D 06	SE 104081	3.H 08		
NJA 8110AA	1.F 03	NJB 6107AC	1.F 04	NNA 6068KA 6	1.G 14	NNE 2016AB	1.D 16	SE 104084	3.H 11		
NJA 8110AA	1.F 04	NJB 6107AC	1.F 05	NNA 6068KA 6	1.G 09	NNE 2110AB	1.D 14	SE 104084	3.H 09		
NJA 8110AA	1.F 05	NJB 6107GA	1.F 07	NNA 6068KA 6	1.G 10	NNE 2225AA	1.H 06	SE 104084 J	2.G 04		
NJA 8110AA	1.F 07	NJB 6108AA	1.F 05	NNA 6068KA 6	1.G 11	NNE 2525AA	1.E 03	SE 104121 J	2.E 06		
NJA 8121AA	2.C 13	NJB 6108BA	1.F 07	NNA 6068KA 9	1.G 07	NNE 2525AA	1.E 09	SE 105084	3.E 17		
NJA 8121AA	1.G 16	NJB 6108EA	1.F 07	NNA 6070CA	1.G 15	NNE 2562AB	1.E 03	SE 105121	3.H 03		
NJA 6522CB	1.G 07	NJB 6126AA	1.G 15	NNA 6091AA	1.G 12	NNE 2562AC	1.E 03	SE 105181	3.D 15		
NJA 8700AG	1.I 02	NJB 6744AA	1.I 03	NNA 6091AA	1.G 13	NNE 2563AB	1.E 03	SE 106121 J	3.E 13		
NJA 8701AG	1.I 02	NJB 6744GA	1.I 03	NNA 6091AA	1.G 09	NNE 2563AC	1.E 03	SH 106251 J	2.D 02		
NJA 8741BC	1.I 03	NJB 6744HA	1.I 02	NNA 6091AA	1.G 10	NNE 3002CC	1.E 11	SH 108161	3.G 03		
NJA 8757AG	1.I 02	NJB 6757BA	1.I 02	NNA 6126AD	1.G 15	NNE 3021AC	1.G 03	SH 108161	3.G 02		
NJA 8758AA	1.I 02	NJB 6790AA	1.I 02	NNA 6128AA	1.G 12	NNE 3106AC	1.G 03	SH 112301 M	3.G 15		
NJA 8760AF	1.I 03	NJB 6797AA	1.I 02	NNA 6128AA	1.G 13	NNE 3246BA	1.N 16	SH 112301 M	1.L 04		
NJA 8760AG	1.I 03	NJC 3500AA	1.G 04	NNA 6128AA	1.G 14	NNE 3416BA	1.G 17	SH 212201 MJ	1.L 03		
NJA 8760AH	1.I 03	NJC 3921BB	1.D 03	NNA 6128AA	1.G 09	NNE 3555AB	1.G 05	SH 212401 MJ	1.L 03		
NJA 8761AF	1.I 03	NJC 4500AA	1.J 05	NNA 6128AA	1.G 10	NNE 3944BA	1.N 16	SL 104121 J	1.J 09		
NJA 8761AG	1.I 03	NJC 5908AB	1.G 11	NNA 6129AA	1.G 12	NNE 3946CA	1.N 16	TE 108041 J	1.M 02		
NJA 8761AH	1.I 03	NJC 5908BB	1.G 14	NNA 6129AA	1.G 13	NNE 4400CA E	1.J 02	UKC 6683 J	2.G 03		
NJA 8784AL	1.I 03	NJC 5937AA	1.F 06	NNA 6129AA	1.G 14	NNE 4400CA N	1.J 02	UKC 6683 J	2.C 09		
NJA 8784AM	1.I 03	NJC 5954AB	1.G 11	NNA 6129AA	1.G 09	NNE 8700GD	1.I 02	WA 106041 J	1.J 08		
NJA 8785AL	1.I 03	NJC 5973AA	1.F 06	NNA 6129AA	1.G 10	NNE 0701GD	1.I 02	WA 112091	1.K 12		
NJA 8785AM	1.I 03	NJC 5973CA	1.G 07	NNA 6525AA	1.G 12	NRA 1001KA	1.D 02	WA 112081 J	1.L 03		
NJA 8790AC	1.I 03	NJC 5978AA	1.F 06	NNA 6525AA	1.G 13	NRA 2502AB	1.E 04	WA 114001	1.K 18		
NJA 8790BC	1.D 03	NJC 8001AA	1.G 07	NNA 6525AA	1.G 14	NRA 2503AB	1.E 04	WA 116101	1.L 06		
NJA 8790CC	1.D 03	NJC 8001BA	1.G 07	NNA 6525AA	1.G 09	NRA 2504AA	1.E 04	WC 106041 J	1.N 15		
NJA 8803AC	1.I 03	NJC 6024AA	1.F 06	NNA 6525AA	1.G 10	NRA 2505AA	1.E 04	WC 106046	2.K 09		
NJB 3921AA	1.D 03	NJC 6026AA	1.F 06	NNA 6525AA	1.G 11	NRA 2602AD	1.D 13	WC 10805	1.M 08		
NJB 3921BA	1.D 03	NJC 6026BA	1.F 06	NNB 6110AA	1.F 06	NRA 2603AD	1.D 13	WC 110061 J	1.K 10		