

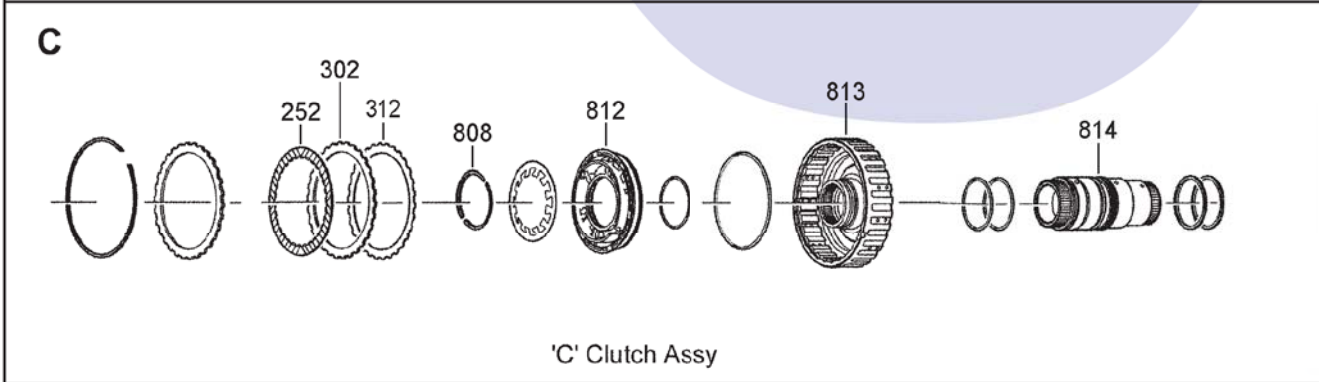
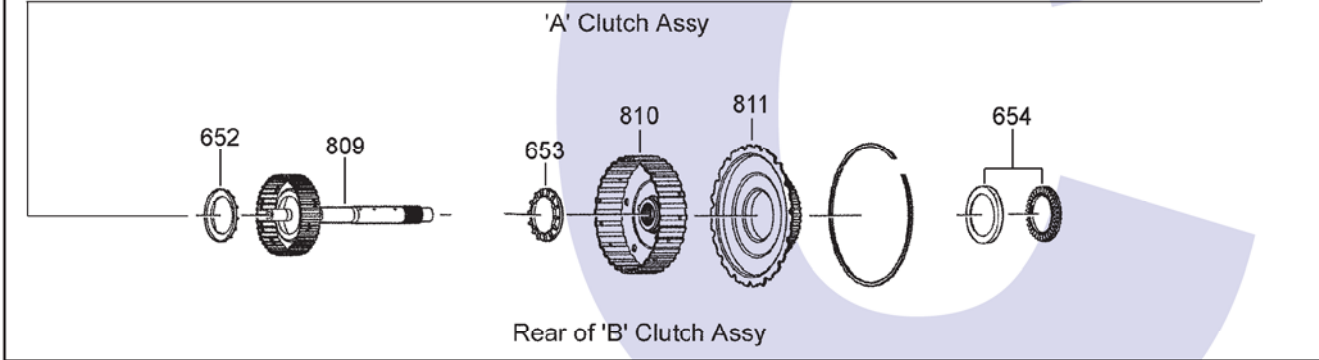
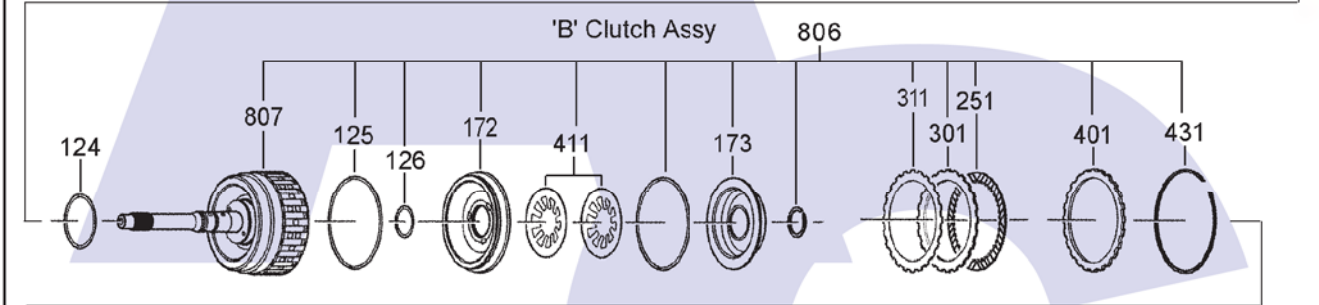
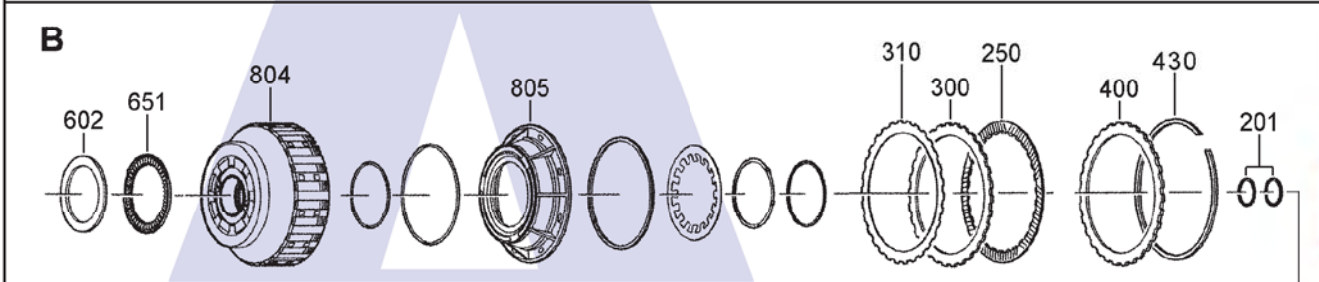
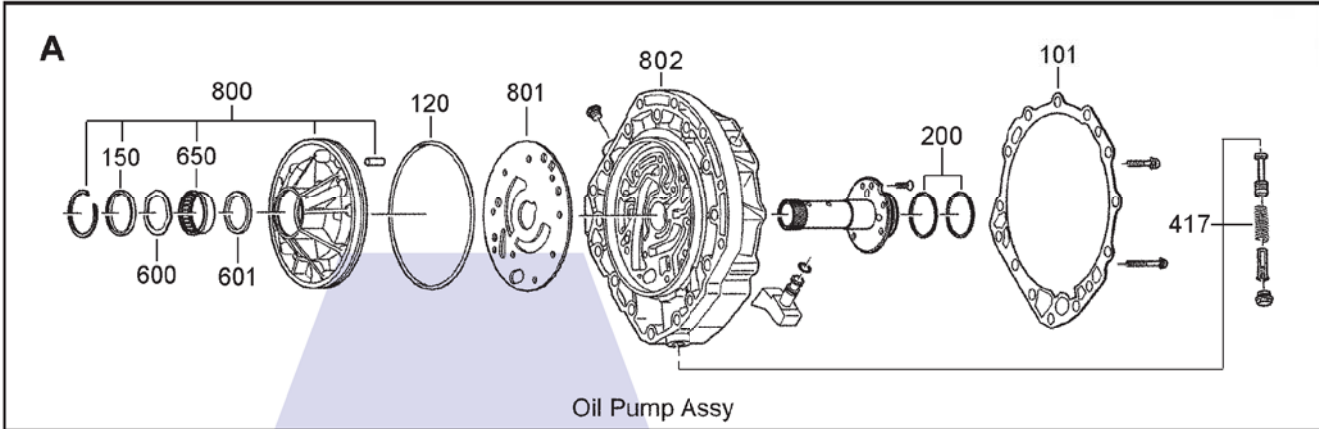
ZF5HP24 (BMW, JAGUAR & LANDROVER) Codes: 1058 000 xxx  
5 SPEED RWD (Full Electronic Control)



AUTOMATIC CHOICE



THE AUTOMATIC TRANSMISSION PARTS WAREHOUSE





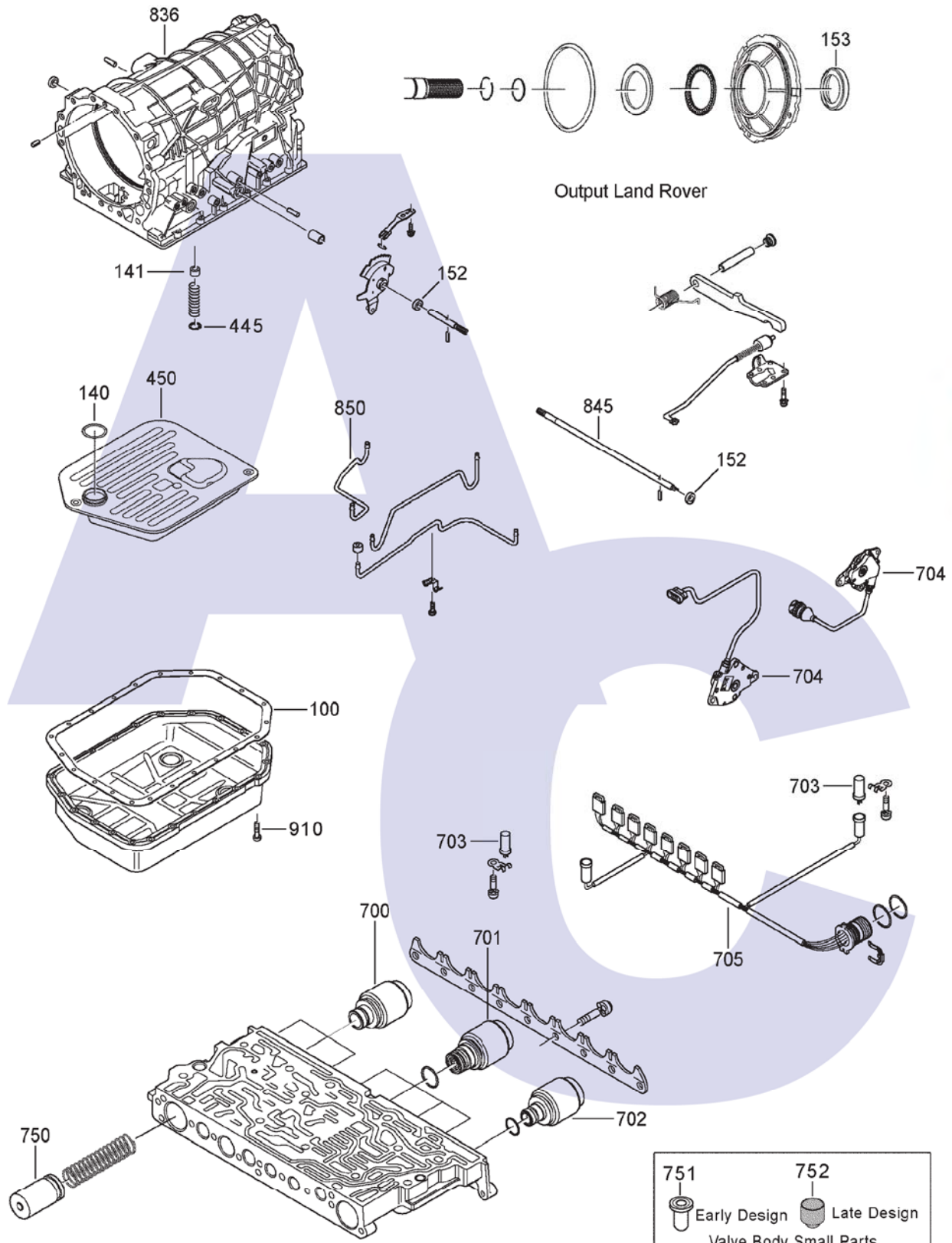


AUTOMATIC CHOICE



THE AUTOMATIC TRANSMISSION PARTS WAREHOUSE

H



Output Land Rover

Park Mechanism, Oil Pan, Filter & Electrical Components



AUTOMATIC CHOICE



THE AUTOMATIC TRANSMISSION PARTS WAREHOUSE

ILL NO.	DESCRIPTION	YEARS	QTY	PART NO
<b>KITS</b>				
Kit	Overhaul Kit (OEM).....	97-ON	1	5HP24.OHK01
Kit	Overhaul Kit (Precision).....	97-ON	1	5HP24.OHK52
<b>GASKETS</b>				
100H	Pan Gasket (OEM).....	97-ON	1	5HP24.GAS01
100H	Pan Gasket (AM) .....	97-ON	1	5HP24.GAS51
101A	Stator to Case Gasket (OEM)...	97-ON	1	5HP24.GAS02
101A	Stator to Case Gasket (AM).....	97-ON	1	5HP24.GAS52
NI	Valve Body Gasket.....	97-ON	1	5HP24.GAS03
<b>RUBBER COMPONENTS</b>				
120A	Pump Body 'O' Ring.....	97-ON	1	5HP19.OR01
124B	'O' Ring, 'A' Clutch Drum (Front)	97-ON	1	5HP24.OR04
125B	'A' Clutch Piston Outer 'O' Ring	97-ON	1	5HP24.OR02
126B	'A' Clutch Piston Inner 'O' Ring.	97-ON	1	5HP24.OR03
137G	'O' Ring, Extension to Case .....	97-ON	1	5HP30.OR03
140H	Filter to V. Body 'O' Ring .....	97-ON	1	5HP18.OR06
141H	Valve Body to Case Seal .....	96-ON	2	5HP19.RUB02
<b>METAL CLAD SEALS</b>				
150A	Pump Body (OEM).....	97-ON	1	3HP22.MCS01
150A	Pump Body (AM).....	97-ON	1	3HP22.MCS51
151G	Extension Housing Seal.....	97-ON	1	5HP30.MCS02
152H	Selector Shaft Seal .....	97-ON	1	3HP22.MCS03
153H	Transfer Box Adaptor Housing Seal (Land Rover) (45mm x 62mm x 7mm) (Fits Code 1058 000 032).....	97-ON	1	4HP20.MCS06
<b>MOULDED PISTONS</b>				
170F	'F' Brake .....	97-ON	1	5HP30.PIS01
172B	'A' Clutch (Fits Codes 1058 000 003, 004, 005, 009, 010, 013, 014, 015, 016, 017, 018, 024) .....	97-ON	1	5HP24.PIS03
173B	Balance Piston 'A' Clutch.....	97-ON	1	5HP24.PIS05
<b>SEALING RINGS</b>				
200A	Stator Support.....	97-ON	2	5HP30.SSR01
201B	Input Shaft.....	97-ON	2	5HP19.SSR03
<b>FRICITION PLATES</b>				
Kit	Friction Plate Kit All Except Codes: (1058 000 003, 004, 005, 009 & 010) .....	97-ON	1	5HP24.FRK02
Kit	Friction Plate Kit Codes: (1058 000 003, 004, 005, 009 & 010) Only .....	97-ON	1	5HP24.FRK01
Kit	Friction Plate Kit (Alto) .....	97-ON	1	5HP24.FRK51
250B	'B' Clutch All Except Codes: (1058 000 003, 004, 005, 009 & 010) .....	97-ON	6	5HP24.FRP05
250B	'B' Clutch Codes: (1058 000 003, 004, 005, 009 & 010) Only .....	97-ON	6	5HP24.FRP02
250B	'B' Clutch (Alto) .....	97-ON	6	5HP24.FRP52
251B	'A' Clutch All Except Codes: (1058 000 003, 004, 005, 009 & 010) .....	97-ON	6	5HP24.FRP04
251B	'A' Clutch Codes: (1058 000 003, 004, 005, 009 & 010) Only .....	97-ON	6	5HP24.FRP01
251B	'A' Clutch (Alto) .....	97-ON	6	5HP24.FRP51

ILL NO.	DESCRIPTION	YEARS	QTY	PART NO
<b>FRICITION PLATES Cont.,,</b>				
252C	'C' Clutch All Except Codes: (1058 000 003, 004, 005, 009 & 010) .....	97-ON	4	5HP24.FRP04
252C	'C' Clutch Codes: (1058 000 003, 004, 005, 009 & 010) Only .....	97-ON	4	5HP24.FRP01
252C	'C' Clutch (Alto) .....	97-ON	4	5HP24.FRP51
253D	'D' Brake All Except Codes: (1058 000 003, 004, 005, 009 & 010) .....	97-ON	3-4	5HP24.FRP05
253D	'D' Brake Codes: (1058 000 003, 004, 005, 009 & 010) Only .....	97-ON	3-4	5HP24.FRP02
253D	'D' Brake (Alto).....	97-ON	3-4	5HP24.FRP52
254D	'E' Brake All Except Codes: (1058 000 003, 004, 005, 009 & 010) .....	97-ON	4-5	5HP24.FRP05
254D	'E' Brake Codes: (1058 000 003, 004, 005, 009 & 010) Only .....	97-ON	4-5	5HP24.FRP02
254D	'E' Brake (Alto).....	97-ON	4-5	5HP24.FRP52
255F	'F' Brake All Except Codes: (1058 000 003, 004, 005, 009 & 010) .....	97-ON	6	5HP24.FRP06
255F	'F' Brake Codes: (1058 000 003, 004, 005, 009 & 010) Only .....	97-ON	6	5HP24.FRP03
255F	'F' Brake (Alto) .....	97-ON	6	5HP24.FRP53
<b>STEEL PLATES</b>				
Kit	Steel Plate Kit All Except (1058 000 003, 004, 005, 009 & 010) .....	97-ON	1	5HP24.STK02
Kit	Steel Plate Kit Codes: (1058 000 003, 004, 005, 009 & 010) Only .....	97-ON	1	5HP24.STK01
Kit	Steel Plate Kit (Alto).....	97-ON	1	5HP24.STK51
300B	'B' Clutch (1.80mm) All Except (1058 000 003, 004, 005, 009 & 010) .....	97-ON	6	4HP20.PP21
300B	'B' Clutch (3.00mm) Codes: (1058 000 003, 004, 005, 009 & 010) Only .....	97-ON	6	4HP20.PP12
301B	'A' Clutch All Except (1058 000 003, 004, 005, 009 & 010) .....	97-ON	6	5HP24.STP04
301B	'A' Clutch Codes: (1058 000 003, 004, 005, 009 & 010) Only .....	97-ON	6	5HP24.STP02
302C	'C' Clutch All Except (1058 000 003, 004, 005, 009 & 010) .....	97-ON	4	5HP24.STP04
302C	'C' Clutch Codes: (1058 000 003, 004, 005, 009 & 010) Only .....	97-ON	4	5HP24.STP02
303D	'D' Brake (1.80mm) All Except (1058 000 003, 004, 005, 009 & 010) .....	97-ON	3-4	4HP20.PP21
303D	'D' Brake (3.00mm) Codes: (1058 000 003, 004, 005, 009 & 010) Only .....	97-ON	3-4	4HP20.PP12
304D	'E' Brake (1.80mm) All Except (1058 000 003, 004, 005, 009 & 010) .....	97-ON	4-5	4HP20.PP21
304D	'E' Brake (3.00mm) Codes: (1058 000 003, 004, 005, 009 & 010) Only .....	97-ON	4-5	4HP20.PP12



AUTOMATIC CHOICE



THE AUTOMATIC TRANSMISSION PARTS WAREHOUSE

ILL NO.	DESCRIPTION	YEARS	QTY	PART NO
<b>STEEL PLATES Cont...</b>				
305F	'F' Brake (1.80mm) All Except (1058 000 003, 004, 005, 009 & 010)	97-ON	6	5HP24.STP06
305F	'F' Brake Codes: (1058 000 003, 004, 005, 009 & 010) Only	97-ON	6	5HP30.STP03
310B	'B' Clutch Waved Steel	97-ON	1	5HP24.STP01
311B	'A' Clutch Waved Steel (Fits Codes 1058 000 020, 021, 022, 023, 026, 027, 028, 029, 032, 034, 035, 036)	97-ON	1	6HP26.STP07
312C	'C' Clutch Waved Steel (Fits Codes 1058 000 020, 021, 022, 023, 026, 027, 028, 029, 032, 034, 035, 036)	97-ON	1	6HP26.STP07
313D	'D' Brake Waved Steel	97-ON	1	5HP24.STP01
315F	'F' Brake Waved Steel	97-ON	1	5HP30.STP04

<b>PRESSURE PLATES</b>				
400B	'B' Clutch All Except Codes (1058 000 003, 004, 005, 009, 010)	97-ON	1	4HP20.PP11
400B	'B' Clutch Codes: (1058 000 003, 004, 005, 009, 010)	97-ON	1	4HP20.PP09
401B	'A' Clutch	97-ON	1	5HP24.PP02
403D	'D' Brake All Except Codes (1058 000 003, 004, 005, 009, 010)	97-ON	1	4HP20.PP11
403D	'D' Brake Codes: (1058 000 003, 004, 005, 009, 010)	97-ON	1	4HP20.PP09
403D	'E' Brake All Except Codes (1058 000 003, 004, 005, 009, 010)	97-ON	1	4HP20.PP11
403D	'E' Brake Codes: (1058 000 003, 004, 005, 009, 010)	97-ON	1	4HP20.PP09

<b>SPRINGS &amp; CIRCLIPS</b>				
411B	'A' Clutch Diaphragm Spring	97-ON	1	5HP24.DIA02
415F	'F' Brake Diaphragm Spring	97-ON	1	5HP30.DIA05
417A	Spring, Accumulator in Stator (Codes 1058 000 032, 034, 035, 036)	97-ON	1	5HP19.SPR01
430B	Circlip, 'B' Clutch Retaining (4.20mm)	97-ON	AR	5HP24.CIR14
	(4.40mm)	97-ON	AR	5HP24.CIR13
	(4.60mm)	97-ON	AR	5HP24.CIR02
431B	Circlip, 'A' Clutch Retaining (1.80mm)	97-ON	AR	5HP24.CIR04
	(2.00mm)	97-ON	AR	5HP24.CIR05
	(2.20mm)	97-ON	AR	5HP24.CIR06
	(2.40mm)	97-ON	AR	5HP24.CIR07
	(2.60mm)	97-ON	AR	5HP24.CIR08
	(3.00mm)	97-ON	AR	5HP24.CIR01
	(3.20mm)	97-ON	AR	5HP24.CIR10
	(3.40mm)	97-ON	AR	5HP24.CIR11
	(3.60mm)	97-ON	AR	5HP24.CIR12
434D	Circlip, 'D' Clutch Retaining (4.20mm)	97-ON	AR	5HP24.CIR14
	(4.40mm)	97-ON	AR	5HP24.CIR13
	(4.60mm)	97-ON	AR	5HP24.CIR02

ILL NO.	DESCRIPTION	YEARS	QTY	PART NO
<b>SPRINGS &amp; CIRCLIPS Cont...</b>				
435D	Circlip, 'E' Clutch Retaining (4.20mm)	97-ON	AR	5HP24.CIR14
	(4.40mm)	97-ON	AR	5HP24.CIR13
	(4.60mm)	97-ON	AR	5HP24.CIR02
442F	Circlip 'F' Brake Ret. (3.80mm)	97-ON	AR	5HP24.CIR03
445H	Circlip, Valve Body Seal Ret.	97-ON	2	5HP24.CIR15
<b>FILTERS</b>				
450H	Pan Filter	97-ON	1	5HP24.FIL01
450H	Pan Filter (OEM)	97-ON	1	5HP24.FIL10
<b>BUSHINGS</b>				
NI	Stator Support	97-ON	1	5HP24.BUS02

<b>THRUST WASHERS &amp; SELECTIVES</b>				
600A	Wavey Washer (Under Pump Seal)	97-ON	1	5HP24.THW01
601A	Sealing Washer (Under Pump Bearing)	97-ON	1	5HP24.THW02
602B	Shim Selective Stator to 'B' Clutch Bearing (2.00mm Thick)	97-ON	AR	5HP24.SHI04
	(2.20mm Thick)	97-ON	AR	5HP24.SHI05
	(2.40mm Thick)	97-ON	AR	5HP24.SHI06
	(2.60mm Thick)	97-ON	AR	5HP24.SHI07
602B	Kit of Shims Selective	97-ON	1	5HP24.TWK02

<b>BEARINGS &amp; RACES</b>				
650A	Needle Bearing Pump Body	97-ON	1	5HP30.BE01
651B	Radial Bearing Stator to Input	97-ON	1	5HP24.TOR01
652B	Radial Bearing 'A' Drum to Intermediate Shaft	97-ON	1	5HP24.TK05
653B	Radial Bearing 'B' Clutch Hub to Intermediate Shaft	97-ON	1	5HP24.TOR02
654B	Bearing Kit (Rear of Input Assy)	97-ON	1	5HP24.TK01
655D	Radial Bearing 'D' Brake to 'B' Clutch	97-ON	1	5HP24.TK02
656E	Bearing Kit 'E' Brake to Sun Gear	97-ON	1	5HP24.TK03
657E	Radial Bearing Sun Gear to Planet Carrier	97-ON	1	5HP24.TK04
690G	Output Roller Bearing	97-ON	1	5HP30.BE02

<b>ELECTRICAL COMPONENTS</b>				
Kit	Solenoid Kit (8 Sols) Fits Codes (1058 000 003, 004, 005, 009, 010, 013, 014, 015, 016, 017, 018 & 024)	97-ON	1	5HP24.SOL10
Kit	Solenoid Kit (8 Sols) Fits Codes (1058 000 020, 021, 022, 023, 026, 027, 028, 029, 032, 034, 035 & 036)	97-ON	1	5HP19.SOL11
700H	Shift Solenoid (On Off)	97-ON	3	5HP30.SOL02
701H	Shift Control Solenoid (PWM)	97-ON	4	4HP20.SOL02
702H	Main Pressure Control (PWM) Fits Codes (1058 000 003, 004, 005, 009, 010, 013, 014, 015, 016, 017, 018 & 024)	97-ON	1	4HP20.SOL03



AUTOMATIC CHOICE



THE AUTOMATIC TRANSMISSION PARTS WAREHOUSE

ILL NO.	DESCRIPTION	YEARS	QTY	PART NO
<b>ELECTRICAL COMPONENTS Cont...</b>				
702H	Main Pressure Control (PWM) Fits Codes (1058 000 020, 021, 022, 023, 026, 027, 028, 029, 032, 034, 035 & 036) .....	97-ON	1	5HP19.SOL04
703H	Speed Sensor (Inductive) .....	97-ON	2	4HP22.ELE01
704H	Range Switch (BMW) Except Code (1058 000 005).....	97-ON	1	5HP24.ELE01
704H	Range Switch (BMW) (Code 1058 000 005 Only).....	97-ON	1	5HP24.ELE05
704H	Range Switch (Range Rover) (Code 1058 000 032 Only).....	97-ON	1	5HP24.ELE06
704H	Range Switch (Jaguar) Fits Codes (1058 000 009,013, 014, 014, 024, 026, 027 & 028) .....	97-ON	1	5HP24.ELE02
705H	Valve Body Wiring Harness .....	97-ON	1	5HP24.ELE03
<b>VALVE BODY PARTS</b>				
750H	Damper Piston (Fwd/Rev) (Updated Plastic) .....	97-ON	1	5HP24.ACC01
751H	Damper Plug (Rubber) (Early Design) .....	98-ON	1	5HP19.ACC01
752H	Damper Plug (Aluminium) (Late Design) .....	98-ON	1	5HP19.ACC02
NI	Main Pressure Control Valve ....	92-ON	1	5HP30.VA01
NI	Housing, Upper Rear (Fits Codes 1058 000 020, 021, 022, 023, 026, 027, 028, 029, 032, 036) .....	97-ON	1	5HP24.VA01
NI	Housing, Upper Rear (Fits Codes 1058 000 034, 035) .....	97-ON	1	5HP24.VB03
NI	Spring, Check Valve (Upper Valve Body).....	98-ON	1	5HP24.SPR01
NI	Housing, Lower Front (One With Manual Valve) (Fits Codes 1058 000 003, 005, 009, 013, 015, 016, 018, 020, 021, 022, 023, 024, 026, 027, 028, 029, 032, 034, 035, 036) .....	97-ON	1	5HP24.VB01
NI	Housing, Lower Front (One With Manual Valve) (Fits Codes 1058 000 004, 010, 014, 017) .....	97-ON	1	5HP24.VB02
NI	Spring, Pressure Regulator .....	97-ON	1	5HP24.SPR02
Kit	Oversize Pressure Regulator Valve (Requires Toolkit 5HP24.VA05 & Universal Fixture AG4.VA05) (Sonnax® <a href="#">Click here for Info</a> ). .....	97-ON	1	5HP24.VA04
Kit	Toolkit for 5HP24.VA04 (Sonnax®).....	97-ON	AR	5HP24.VA05
NI	Orifice Plate 9In Vave Body) (2.20mm).....	97-ON	AR	4HP18.VA02
	(1.40mm).....	97-ON	AR	4HP18.VA04
	(1.50mm).....	97-ON	AR	4HP18.VA05
NI	Accumulator Piston (Small Fits in Duct Plate) .....	All	1	5HP24.VA06
<b>HARDWARE</b>				
800A	Short Pump Assy .....	97-ON	1	5HP24.PUM02
801A	Pump Wear Plate .....	97-ON	1	5HP24.SP01
802A	Intermediate Plate.....	97-ON	1	5HP24.PUM03
804B	Drum, 'B' Clutch .....	97-ON	1	5HP24.DRU03
805B	Piston, 'B' Clutch Drum .....	97-ON	1	5HP24.PIS04
806B	'A' Clutch Drum & Input Shaft (Complete Assembly).....	97-ON	1	5HP24.DRU21

ILL NO.	DESCRIPTION	YEARS	QTY	PART NO
<b>HARDWARE Cont...</b>				
807B	'A' Clutch Drum & Input Shaft (OEM) .....	97-ON	1	5HP24.DRU01
807B	'A' Clutch Drum & Input Shaft (Aftermarket).....	97-ON	1	5HP24.DRU09
808C	Retaining Ring 'C' Diaphragm... ..	97-ON	1	5HP24.RET06
809B	Intermediate Shaft.....	97-ON	1	5HP24.SH02
810B	'B' Clutch Hub .....	97-ON	1	5HP24.HUB01
811B	'B'/C' Clutch Hub .....	97-ON	1	5HP24.HUB02
812C	Piston, 'C' Clutch Drum .....	97-ON	1	5HP24.PIS06
813C	'C' Clutch Drum .....	97-ON	1	5HP24.DRU02
814C	Sun Gear Shaft .....	97-ON	1	5HP24.SH01
815D	Support Bush, 'E' Brake .....	97-ON	1	5HP24.SUP01
816D	'D'/E' Cylinder (4/5 Plate) (Codes: 1058 000 021, 022, 023, 026, 027, 029, 032, 036) .....	97-ON	1	5HP24.DRU08
817D	Piston, 'E' Clutch (Steel) .....	97-ON	1	5HP24.PIS02
819E	Disc Carrier 'E' Clutch.....	97-ON	1	5HP24.DRU07
828F	Rear Sprag (Low).....	97-ON	1	5HP30.OWC01
830F	Retaining Ring 'F' Diaphragm ... ..	97-ON	1	5HP24.RET06
831F	'F' Brake Cylinder.....	97-ON	1	5HP24.DRU06
836H	Main Case Assy (Jaguar).....	97-ON	1	5HP24.CAS01
845H	Manual Shaft, (Range Rover) (Code: 1058 000 032 Only).....	97-ON	1	5HP24.SH03
845H	Manual Shaft, (BMW X5) (Codes: 1058 000 005, 029, 034) .....	97-ON	1	5HP24.SH04
850H	Tube, Centre Support to Case ..	97-ON	1	5HP24.TU01
<b>SPECIAL ITEMS</b>				
900F	Bolt 'F' Brake to Case .....	97-ON	12	5HP30.NUT01
910F	Bolt, Oil Pan to Case.....	97-ON	22	5HP19.NUT06
NI	LifeGuardFluid5 x 1Ltr Bottle (Esso LT71141).....	97-ON	AR	OIL.50
NI	LifeGuardFluid5 x 20Ltr Canister (Esso LT71141).....	97-ON	AR	OIL.51
NI	LifeGuardFluid5 x 209Ltr Drum (Esso LT71141).....	97-ON	AR	OIL.52
<b>TOOLS &amp; MANUALS</b>				
NI	Repair Manual (OEM).....	97-ON		5HP24.MAN01
NI	Repair Manual (ATSG/ZF) .....	97-ON		5HP24.MAN02
<a href="#">Click here to view special tools for this transmission</a>				