 **WARNING: THIS PUBLICATION IS INTENDED FOR USE BY PROFESSIONAL TECHNICIANS WITH KNOWLEDGE OF JAGUAR VEHICLE SYSTEMS. ALL NECESSARY SAFETY PRECAUTIONS MUST BE TAKEN WHEN SERVICING OR HANDLING COMPONENTS AND SYSTEMS THAT HAVE THE POTENTIAL FOR CAUSING BODILY INJURY OR DEATH.**

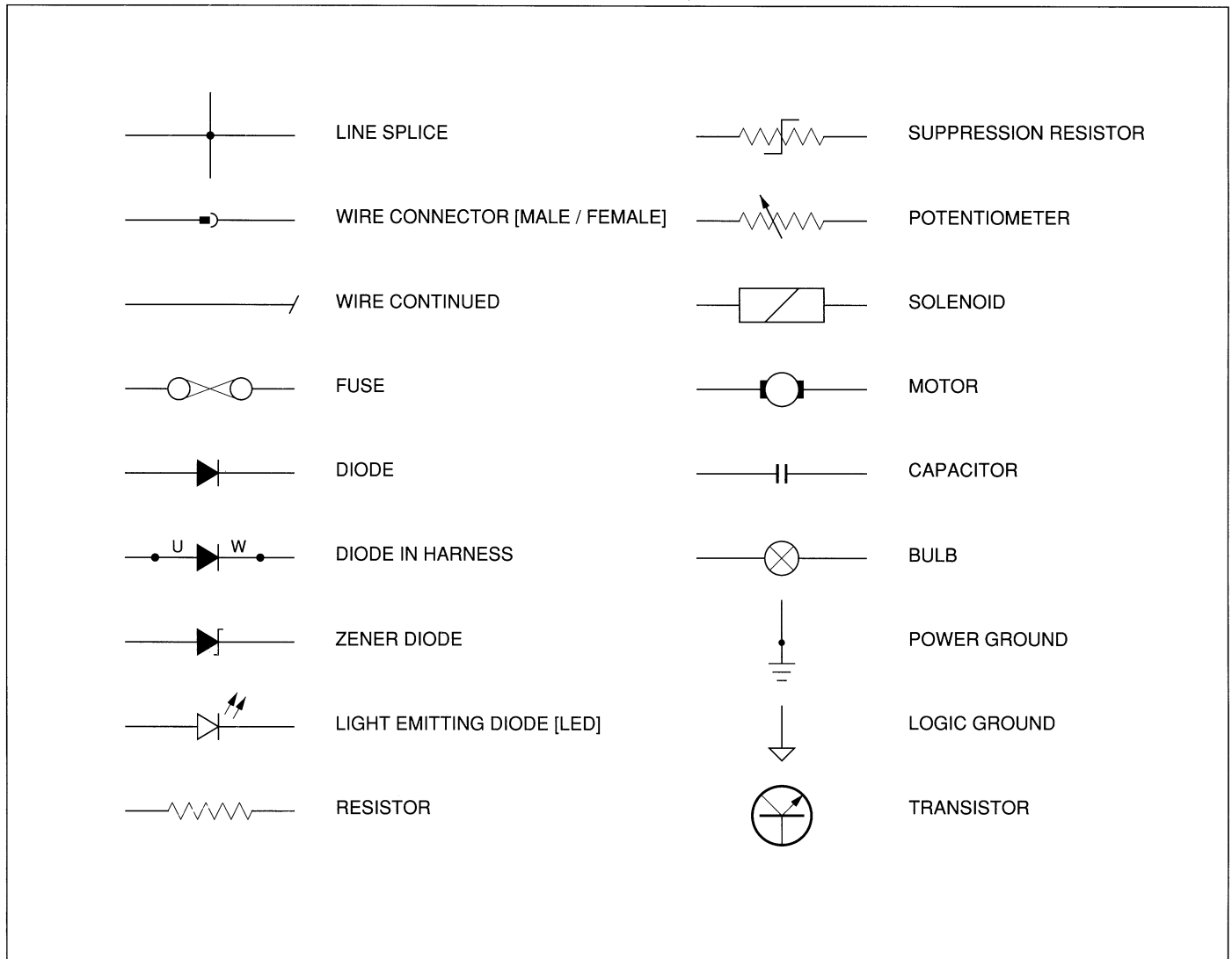
Publication number S-65 / 88

© 1989 Jaguar Cars Inc.

All rights reserved. All material contained herein is based on the latest information available at the time of publication. The right is reserved to make changes at any time without notice.

DESCRIPTION	FIGURE
BATTERY POWER DISTRIBUTION	1
IGNITION SWITCHED POWER DISTRIBUTION	2
IGNITION SWITCHED GROUND DISTRIBUTION	3
LOGIC GROUND DISTRIBUTION	4
BATTERY; STARTER; ALTERNATOR	5
HEADLIGHTS; FOG LIGHTS	6
SIDE LIGHTS; TAIL LIGHTS	7
TURN SIGNALS; HAZARD WARNING LIGHTS; STOP LIGHTS	8
INTERIOR LIGHTING (UP TO VIN 542405)	9
INTERIOR LIGHTING (VIN 542406–556850)	10
INSTRUMENT LIGHTING; LOCATE LIGHTING; CLOCK	11
INSTRUMENTATION; NORMAL DISPLAY	12
INSTRUMENTATION; HAZARD AND FAULT DISPLAY [VCM]	13
AUDIBLE WARNINGS	14
CENTRAL LOCKING	15
POWERED WINDOWS; SUN ROOF	16
HORNS; CIGAR LIGHTER(S)	17
POWERED SEATS (UP TO VIN 542405)	18
POWERED SEATS (VIN 542406–556850)	19
SEAT HEATERS	20
HEATERS: DOOR LOCKS, W/S WASHERS, H/L WASHERS, ENGINE BREATHER	21
HEATERS: REAR WINDOW, DOOR MIRRORS	22
POWERED DOOR MIRRORS	23
WINDSHIELD WIPER; WINDSHIELD WASHERS; HEADLIGHT WASHERS	24
ANTI-LOCK BRAKING	25
POWER HYDRAULICS	26
SPEED CONTROL	27
RADIO	28
CLIMATE CONTROL	29
COMPRESSOR CLUTCH; COOLING FAN	30
ENGINE MANAGEMENT	31

WIRING SYMBOLS



WIRING COLOR CODES

N	Brown	Y	Yellow
B	Black	O	Orange
W	White	S	Slate
K	Pink	L	Light
G	Green	U	Blue
R	Red	P	Purple

When a wire has two or more color code letters, the first letter indicates the main color and the subsequent letter(s) indicate the tracer color(s).

WIRING HARNESS CODES

CODE	DESCRIPTION	CODE	DESCRIPTION
AC	Air conditioning (climate control unit)	LB	Bulkhead harness (left hand drive)
AS	Alternator to starter	LI	Lucas injection harness
BH	Bonnet hood (under hood lights)	LS	Left side harness
CB	Cubby box (glove box)	PD	Passenger's door (main harness)
CH	Cushion heater	PS	Passenger side (link harness)
DD	Driver's door (main harness)	RA	Right rear axle
DS	Driver's side	RD	Rear door harness (R-right, L-left)
FA	Front axle (R-right, L-left)	RF	Rear fender (R-right, L-left)
FB	Fuse box (panel)	RS	Right side harness
FF	Front fender (R-right, L-left)	SB	Seat belt
FP	Fuel pump	SC	Steering column
HB	Heated backlight (rear window)	SM	Seat motor
HM	High mount stop lights	SQ	Squab heater (seat back)
HS	Heated seats	SR	Sun roof
IL	Interior lights	SS	Seat switches
LA	Left rear axle		

CONNECTOR CODES

HARNESS CODE + CONNECTOR NUMBER + PIN NUMBER

EXAMPLE: LB13-24 (pin number is separated by a dash)

Note: Absence of a dash and a pin number indicates a single wire connector.

SPLICE CODES

HARNESS CODE + S + IDENTIFICATION NUMBER

EXAMPLE: LBS3 (no dash is used)

GROUND CODES

HARNESS CODE + G + IDENTIFICATION NUMBER

EXAMPLE: LBG78 (no dash is used)

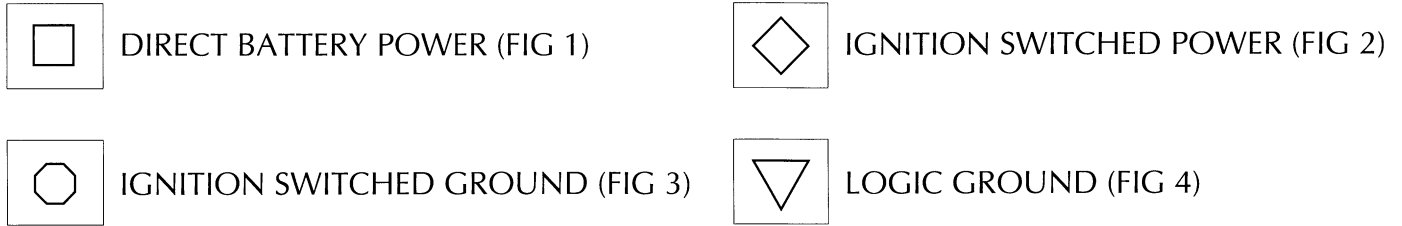
DIODE CODES

HARNESS CODE + D + IDENTIFICATION NUMBER

EXAMPLE: LBD5 (no dash is used)

REFERENCE SYMBOLS

The four reference symbols are used to indicate the remainder of the circuit (feed and ground) and refer the reader to one of the four figures.



REFERENCE FLAGS



This reference code directs the reader to a figure number only. It does not refer to a flag with the same number on a different figure.

As used in figure 1,2, and 3, the FLAG refers to a figure number where the circuit is continued. In this instance, the reader matches the BOX, DIAMOND, or OCTAGON numbers to trace the circuit.

In most other cases, it is not necessary to refer to another figure for completion of a circuit. The FLAGS are used to indicate parallel circuits and circuits which share components. Most of the circuits where this situation occurs are overlapped to avoid the necessity for cross referencing to another figure. Exceptions to this rule are the INSTRUMENTATION: NORMAL DISPLAY and the INSTRUMENTATION: HAZARD AND FAULT DISPLAY.

DATA PAGES

Every wiring diagram has a corresponding data page on the left hand side of the book. These aid the reader in identifying and locating components, connectors, and ground points. Additionally, where applicable, processor and logic unit INPUT / OUTPUT information is provided to aid the reader in understanding circuit operation. This information should not be used for diagnostic purposes.

COMPONENTS

DESCRIPTION	LOCATION	ACCESS
FACIA SWITCH PACK FLASH SWITCH	ABOVE STEERING COLUMN LEFT STEERING COLUMN STALK	DASH UNDER PANEL, LEFT STEERING COLUMN COVER

CONNECTORS

CODE	DESCRIPTION	LOCATION / INTERFACE
FF1	3-WAY BULB CONNECTOR	BEHIND HEADLIGHTS / HEADLIGHT OUTER BEAM
FF2	3-WAY BULB CONNECTOR	BEHIND HEADLIGHTS / HEADLIGHT INNER BEAM

GROUND S

CODE	DESCRIPTION	LOCATION / INTERFACE
FFG3	EYELET	LEFT AND RIGHT FRONT CORNER / POWER GROUND
LSG37	EYELET	ENGINE COMPARTMENT, LF / POWER GROUND

INPUTS/OUTPUTS

LIGHTING LOGIC UNIT			ACTIVE	INACTIVE
CODE	IN / OUT	CIRCUIT	GROUND	GROUND
LB49-3	OUT	REAR FOG LIGHTS	12V	
LB49-4	OUT	FRONT FOG LIGHTS	GROUND	12V

COMPONENTS

DESCRIPTION

BATTERY
 FUSE PANEL—LEFT
 FUSE PANEL—RIGHT

LOCATION

FRONT BULKHEAD, RIGHT
 DRIVER FOOTWELL
 PASSENGER FOOTWELL

ACCESS

ENGINE COMPARTMENT
 'A' POST TRIM PANEL
 'A' POST TRIM PANEL

CONNECTORS

CODE

LB7 6-WAY PM4 (BLACK)
 LB10 9-WAY TTS SOCKET (WHITE)
 LB62 6-WAY PM4 (BLACK)
 LB65 9-WAY TTS SOCKET (WHITE)
 LS2 15-WAY PMHD (YELLOW)
 LS3 9-WAY PM4 (BLACK)
 LS5 9-WAY TTS SOCKET (WHITE)
 LS7 3-WAY ECONOSEAL (BLACK)
 RS24 24-WAY PMHD (YELLOW)
 RS28 9-WAY TTS SOCKET (BLACK)

LOCATION / INTERFACE

INSIDE RIGHT 'A' POST / PD HARNESS
 DRIVER FOOTWELL / LEFT FUSE PANEL
 INSIDE LEFT 'A' POST / DD HARNESS
 PASSENGER FOOTWELL / RIGHT FUSE PANEL
 LEFT 'A' POST, UNDER DASH PANEL / LB HARNESS
 LEFT 'A' POST, UNDER DASH PANEL / LB HARNESS
 LEFT FRONT FOOTWELL / LEFT FUSE PANEL
 LEFT B/C POST LINER / RD HARNESS
 RIGHT 'A' POST, UNDER DASH PANEL
 PASSENGER FOOTWELL / RIGHT FUSE PANEL



FIG 1



FIG 2



FIG 3



FIG 4



FIG 2

IGNITION SWITCHED POWER DISTRIBUTION

COMPONENTS

DESCRIPTION	LOCATION	ACCESS
FUSE PANEL—CENTER RELAY—IGNITION ON (LB17)	CENTER CONSOLE GLOVE BOX COMPONENT PANEL	CENTER CONSOLE GLOVE BOX RIGHT DASH UNDER PANEL

CONNECTORS

CODE	DESCRIPTION	LOCATION / INTERFACE
LB17	RELAY BASE (BLUE)	RIGHT DASH UNDER PANEL / IGNITION ON RELAY
LB28	6-WAY PM4 (YELLOW)	RIGHT DASH UNDER PANEL / LI HARNESS
LB36	9-WAY TTS SOCKET (BLACK)	CENTER CONSOLE / CENTER FUSE PANEL
LB81	3-WAY PM4 (BLACK)	CENTER CONSOLE / CENTER FUSE PANEL
LS2	15-WAY PMHD (YELLOW)	LEFT 'A' POST, UNDER DASH PANEL / LB HARNESS
LS3	9-WAY PM4 (BLACK)	LEFT 'A' POST, UNDER DASH PANEL / LB HARNESS
LS4	9-WAY PM4 (YELLOW)	LEFT 'A' POST, UNDER DASH PANEL / LB HARNESS
RS22	36-WAY PMHD (BLACK)	RIGHT 'A' POST, UNDER DASH PANEL / LB HARNESS
RS23	7-WAY PM4 (BLACK)	RIGHT 'A' POST, UNDER DASH PANEL / LB HARNESS
RS24	24-WAY PMHD (YELLOW)	RIGHT 'A' POST, UNDER DASH PANEL / LB HARNESS



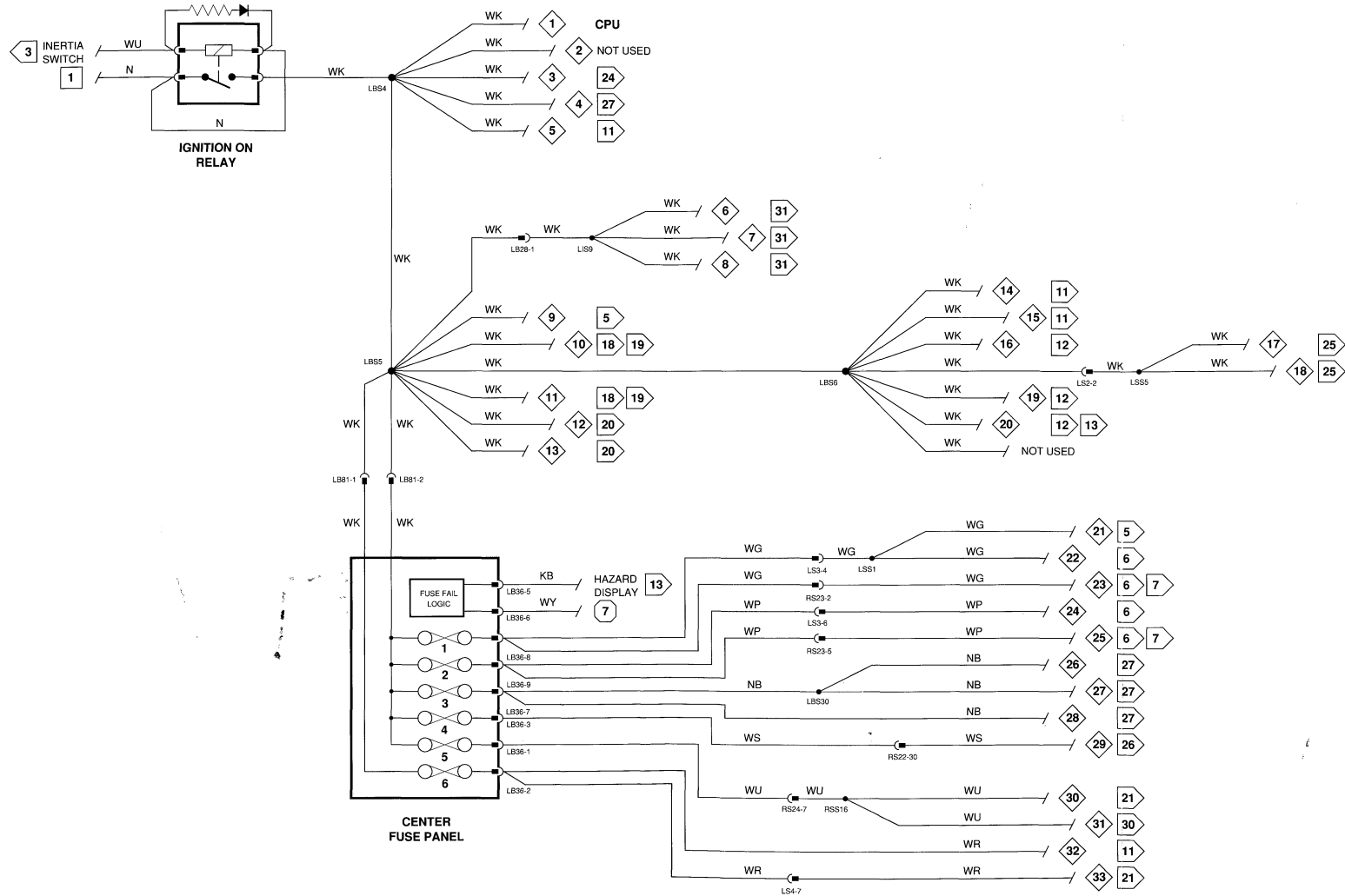


FIG 3

IGNITION SWITCHED GROUND DISTRIBUTION

COMPONENTS

DESCRIPTION

DIODE—LBD5
RELAY—IGNITION ON (LB17)
SWITCH—IGNITION
SWITCH—INERTIA

LOCATION

DRIVER FOOTWELL, LEFT 'A' POST
COMPONENT PANEL
STEERING COLUMN
DRIVER FOOTWELL

ACCESS

LEFT DASH UNDER PANEL
RIGHT DASH UNDER PANEL
STEERING COLUMN COVER
'A' POST TRIM PANEL

CONNECTORS

CODE

LB17
LB35
LB55
LB61
LB64
LS2
RS24
SC5

DESCRIPTION

RELAY BASE (BLUE)
15-WAY PMHD (GREEN)
24-WAY PMHD (BLACK)
36-WAY PMHD (BLACK)
3-WAY TTS SOCKET (GREY)
15-WAY PMHD (YELLOW)
24-WAY PMHD (YELLOW)
6-WAY PMHD (GREEN)

LOCATION / INTERFACE

RIGHT DASH UNDER PANEL / IGNITION ON RELAY
CENTER CONSOLE / LINEAR GEAR SWITCH
LEFT DASH UNDER PANEL / COLUMN SWITCHES
INSIDE LEFT 'A' POST / DD HARNESS
DRIVER FOOTWELL, 'A' POST / INERTIA SWITCH
LEFT 'A' POST, UNDER DASH PANEL / LB HARNESS
RIGHT 'A' POST, UNDER DASH PANEL / LB HARNESS
STEERING COLUMN COVER / IGNITION SWITCH

GROUNDINGS

CODE

LBG75

DESCRIPTION

EYELET

LOCATION / INTERFACE

BULKHEAD, BEHIND LEFT BLOWER AIR DUCT / POWER GROUND



FIG 1



FIG 2



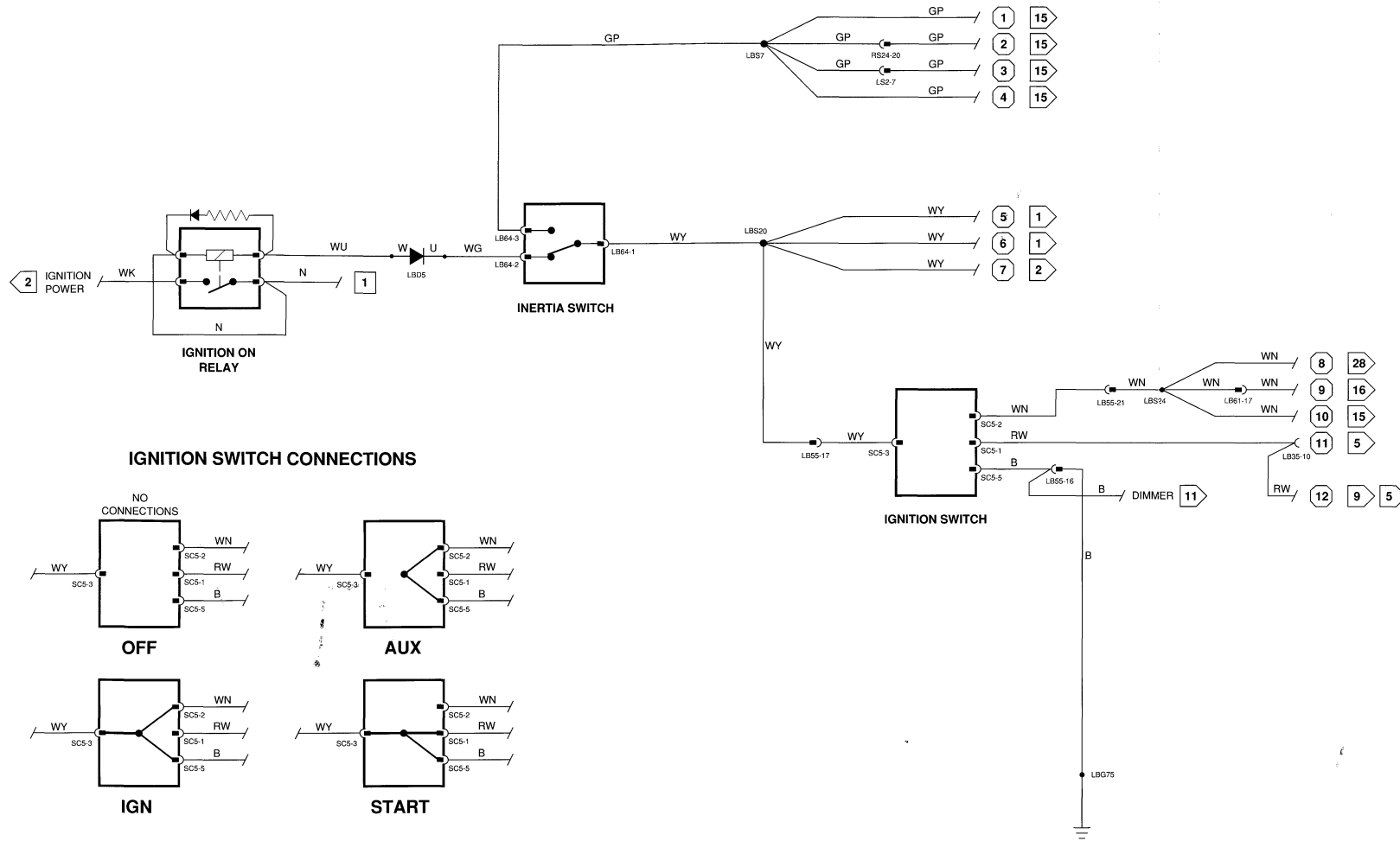
FIG 3



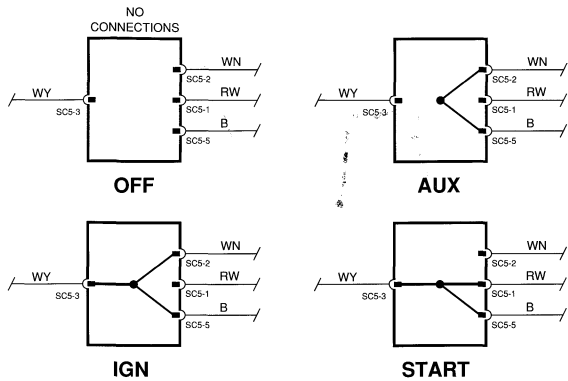
FIG 4



FIG NUMBER REFERENCE



IGNITION SWITCH CONNECTIONS



CONNECTORS

CODE	DESCRIPTION	LOCATION / INTERFACE
DD6	6-WAY PM4 (YELLOW)	DOOR, INNER / LOCK MOTOR
DD9	6-WAY PM4 (BLACK)	DOOR, INNER / DOOR LATCH SWITCH
DD10	2-WAY ITT SOCKET (BLACK)	DOOR, INNER / DOOR KEY SWITCH
IL7	5-WAY PIN CONNECTOR (BLACK)	UNDER FRONT SEAT CUSHION / SEAT BACK IL HARNESS
LB7	6-WAY PM4 (BLACK)	INSIDE RIGHT 'A' POST / PD HARNESS
LB11	4-WAY PMHD (YELLOW)	NOT USED
LB13	36-WAY PMHD (BLACK)	RIGHT DASH UNDER PANEL / CPU
LB18	RELAY BASE (GREEN)	RIGHT DASH UNDER PANEL / AUXILIARY SIDE LIGHT PANEL
LB21	8-WAY AMP (WHITE)	RIGHT DASH UNDER PANEL / SPEED CONTROL ECM
LB31	2-WAY PMHD (YELLOW)	CONSOLE LEFT CARPET / PARK BRAKE SWITCH
LB35	15-WAY PMHD (GREEN)	CENTER CONSOLE / LINEAR GEAR SWITCH
LB38	4-WAY ECONOSEAL (WHITE)	CENTER CONSOLE / FRONT CIGAR LIGHTER
LB39	6-WAY PMHD (BLACK)	CENTER CONSOLE / PASSENGER SEAT HEATER SWITCH
LB40	4-WAY ITT SOCKET (BLACK)	UNDER FRONT PASSENGER SEAT / HS HARNESS
LB43	4-WAY ECONOSEAL (WHITE)	CENTER CONSOLE / REAR CIGAR LIGHTER
LB47	4-WAY ITT SOCKET (BLACK)	UNDER DRIVER SEAT / HS HARNESS
LB48	6-WAY PMHD (BLACK)	CENTER CONSOLE SKI SLOPE PANEL / DRIVER SEAT HEATER SWITCH
LB49	24-WAY PMHD (GREEN)	LEFT DASH UNDER PANEL / FACIA SWITCH PACK
LB51	15-WAY PMHD (BROWN)	LEFT DASH UNDER PANEL / FACIA SWITCH PACK
LB52	15-WAY PMHD (BLUE)	LEFT DASH UNDER PANEL / INSTRUMENT PACK
LB54	36-WAY PMHD (BLACK)	LEFT DASH UNDER PANEL / INSTRUMENT PACK
LB55	24-WAY PMHD (BLACK)	LEFT DASH UNDER PANEL / COLUMN SWITCHES
LB58	15-WAY PMHD (BLACK)	RIGHT DASH UNDER PANEL / AUDIBLE WARNING MODULE
LB62	6-WAY PM4 (BLACK)	INSIDE LEFT 'A' POST / DD HARNESS
LB63	6-WAY PM4 (BLACK)	DRIVER FOOTWELL, 'A' POST / DIAGNOSTIC SOCKET
LB66	15-WAY PMHD (BLACK)	CENTER CONSOLE, AC CONTROL PANEL / AC HARNESS
LS3	9-WAY PM4 (BLACK)	LEFT 'A' POST, UNDER DASH PANEL / LB HARNESS
LS7	3-WAY ECONOSEAL (BLACK)	LEFT 'B/C' POST LINER / RD HARNESS
LS17	15-WAY PMHD (BLACK)	TRUNK TRIM PANEL, LEFT REAR / BULB FAIL MODULE
LS22	3-WAY PM4 (YELLOW)	ENGINE COMPARTMENT / BRAKE FLUID SENSOR
LS24	3-WAY PM4 (BLACK)	ENGINE COMPARTMENT / COOLANT LEVEL SENSOR
LS29	9-WAY PM4 (BLACK)	ENGINE COMPARTMENT, LEFT FRONT / BULB FAIL MODULE
PD2	6-WAY PM4 (BLACK)	DOOR, INNER / DOOR LATCH SWITCH
PD5	6-WAY PM4 (YELLOW)	DOOR, INNER / LOCK MOTOR
PD14	2-WAY ITT SOCKET (BLACK)	DOOR, INNER / KEY SWITCH
RD2	6-WAY PM4 (BLUE)	DOOR, INNER / DOOR LATCH SWITCH
RS7	9-WAY PM4 (YELLOW)	ENGINE COMPARTMENT, ABOVE IGNITION COIL / LI HARNESS
RS11	2-WAY PM4 (GREEN)	BEHIND FRONT VALANCE, RS / WASHER FLUID LEVEL SENSOR
RS16	9-WAY PM4 (BLACK)	ENGINE COMPARTMENT, RF / BULB FAIL MODULE
RS18	2-WAY PM4 (BLACK)	HSMO RESERVOIR / FLUID LEVEL SENSOR
RS21	2-WAY PM4 (YELLOW)	NOT USED
RS22	36-WAY PMHD (BLACK)	RIGHT 'A' POST, UNDER DASH PANEL / LB HARNESS
RS23	7-WAY PM4 (BLACK)	RIGHT 'A' POST, UNDER DASH PANEL / LB HARNESS
RS25	4-WAY PM4 (GREEN)	ENGINE COMPARTMENT, RS CRUSH TUBE / ACCUMULATOR SWITCHES
RS30	3-WAY ECONOSEAL (BLACK)	RIGHT 'B/C' POST LOWER TRIM / RD HARNESS
RS34	.250 BLADE RECEPTACLE	TRUNK BULKHEAD TRIM / FUEL TANK SENDER
RS50	15-WAY PMHD (BLACK)	BEHIND TRUNK TRIM PANEL, RIGHT / BULB FAIL MODULE
RS59	2-WAY ITT SOCKET (BLACK)	TRUNK LID INNER PANEL / TRUNK WARNING SWITCH
SC2	6-WAY PMHD (YELLOW)	STEERING COLUMN COVER / WASH-WIPE SWITCH
SC3	6-WAY PMHD (BLUE)	STEERING COLUMN COVER / DIRECTIONAL SWITCH
SC4	6-WAY PMHD (BROWN)	STEERING COLUMN COVER / SPEAKER, DIRECTIONAL CANCEL SWITCH
SC6	6-WAY PMHD (VIOLET)	STEERING COLUMN COVER / IGNITION KEY SWITCH



BATTERY POWER

FIG 1



IGNITION POWER

FIG 2



IGNITION SWITCHED GROUND

FIG 3



LOGIC GROUND

FIG 4



FIG NUMBER REFERENCE

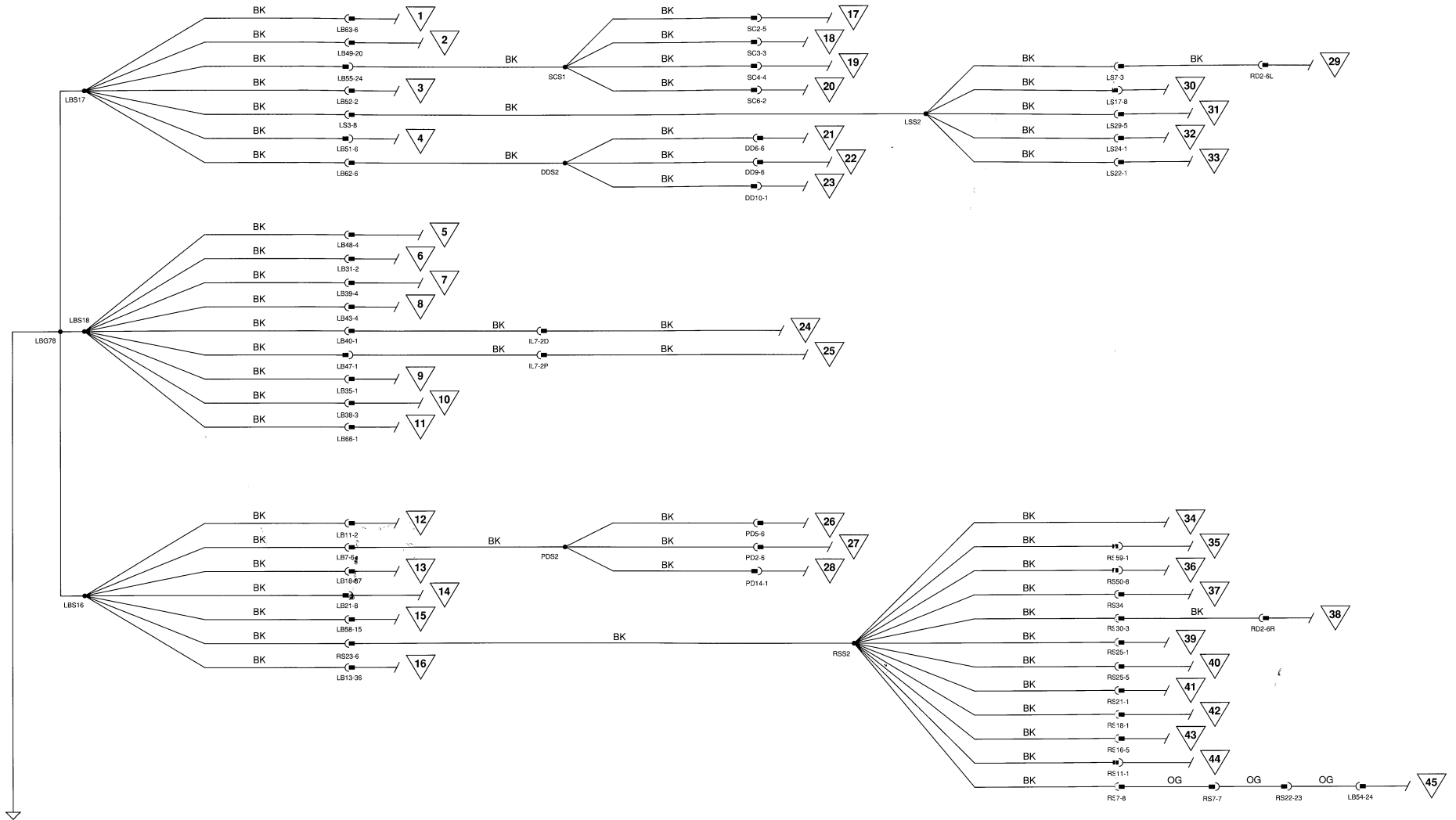


FIG 5

BATTERY; STARTER; ALTERNATOR

COMPONENTS

DESCRIPTION

ALTERNATOR
BATTERY
DIODE (LSD3)
LINEAR GEAR POSITION SWITCHES
LOAD DUMP MODULE
RELAY—STARTER (LB19)
STARTER SOLENOID

LOCATION

ENGINE, LEFT, FRONT
FRONT BULKHEAD, RIGHT
LEFT FRONT INNER FENDER, FORWARD
'J' GATE
UNDER AIR FILTER HOUSING
COMPONENT PANEL
ENGINE, LEFT SIDE, ABOVE STARTER

ACCESS

UNDER ENGINE COMPARTMENT
ENGINE COMPARTMENT
ENGINE COMPARTMENT, LEFT
CONSOLE SKI SLOPE PANEL
ENGINE COMPARTMENT
RIGHT DASH UNDER PANEL
ENGINE COMPARTMENT, BELOW

CONNECTORS

CODE


LB19 RELAY BASE (WHITE)
LB28 6-WAY PM4 (YELLOW)
LB35 15-WAY PMHD (GREEN)
LL1 EYELET
LL2 EYELET
LS1 36-WAY PMHD (BLACK)
LS30 3-WAY PM4 (BLUE)
LS45 EYELET

LOCATION / INTERFACE

RIGHT DASH UNDER PANEL / STARTER RELAY
RIGHT DASH UNDER PANEL / LI HARNESS
CENTER CONSOLE / LINEAR GEAR SWITCH
ABOVE STARTER MOTOR / STARTER SOLENOID
ABOVE STARTER MOTOR / STARTER SOLENOID
LEFT 'A' POST, UNDER DASH PANEL / LB HARNESS
UNDER AIR FILTER HOUSING / LOAD DUMP MODULE
ALTERNATOR D+

 BATTERY POWER
FIG 1

 IGNITION POWER
FIG 2

 IGNITION SWITCHED GROUND
FIG 3


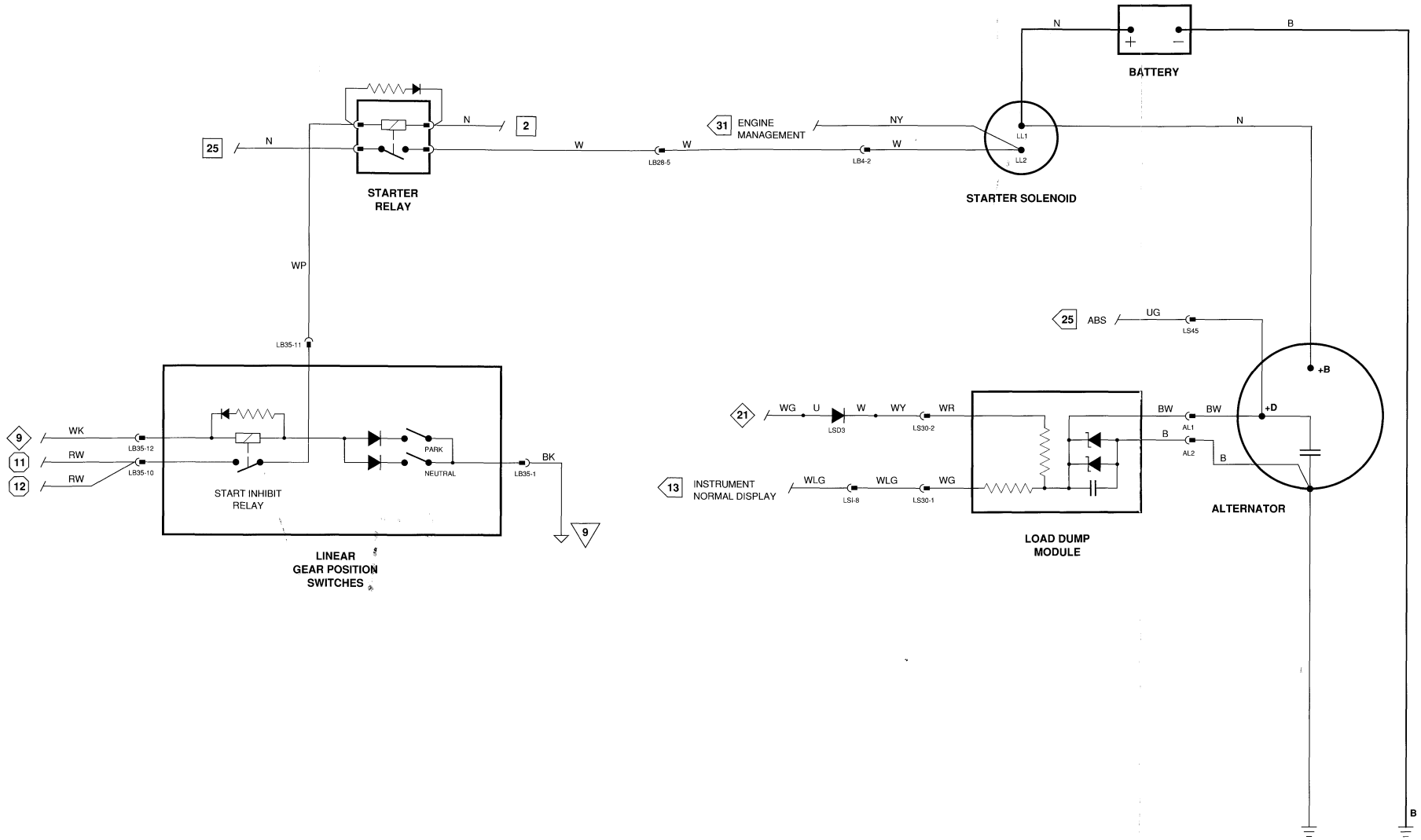
 LOGIC GROUND
FIG 4

 FIG NUMBER REFERENCE



COMPONENTS

DESCRIPTION

FACIA SWITCH PACK
 FLASH SWITCH
 RELAY AND BULB FAILURE MODULE—LEFT FRONT
 RELAY AND BULB FAILURE MODULE—LEFT REAR
 RELAY AND BULB FAILURE MODULE—RIGHT FRONT
 RELAY AND BULB FAILURE MODULE—RIGHT REAR

LOCATION

ABOVE STEERING COLUMN
 LEFT STEERING COLUMN STALK
 BEHIND LEFT HEADLIGHTS
 TRUNK, LEFT, REAR
 BEHIND RIGHT HEADLIGHTS
 TRUNK, RIGHT, REAR

ACCESS

DASH UNDER PANEL, LEFT
 STEERING COLUMN COVER
 ENGINE COMPARTMENT
 TRUNK TRIM PANEL
 ENGINE COMPARTMENT
 TRUNK TRIM PANEL

CONNECTORS

CODE	DESCRIPTION	LOCATION / INTERFACE
FF1	3-WAY BULB CONNECTOR	BEHIND HEADLIGHTS / HEADLIGHT OUTER BEAM
FF2	3-WAY BULB CONNECTOR	BEHIND HEADLIGHTS / HEADLIGHT INNER BEAM
LB49	24-WAY PMHD (GREEN)	LEFT DASH UNDER PANEL / FACIA SWITCH PACK
LB55	24-WAY PMHD (BLACK)	LEFT DASH UNDER PANEL / COLUMN SWITCHES
LS1	36-WAY PMHD (BLACK)	LEFT 'A' POST, UNDER DASH PANEL / LB HARNESS
LS16	6-WAY PM4 (BLACK)	TRUNK TRIM PANEL, LEFT REAR / BULB FAIL MODULE
LS17	15-WAY PMHD (BLACK)	TRUNK TRIM PANEL, LEFT REAR
LS28	9-WAY PM4 (YELLOW)	ENGINE COMPARTMENT, LEFT FRONT / BULB FAIL MODULE
LS29	9-WAY PM4 (BLACK)	ENGINE COMPARTMENT, LEFT FRONT / BULB FAIL MODULE
LS32	3-WAY PM4 (YELLOW)	BEHIND FRONT VALANCE / LEFT FOG LIGHT
RF2	2-WAY ECONOSEAL (YELLOW)	BEHIND LEFT AND RIGHT TRUNK TRIM PANELS / REAR FOG LIGHT
RS14	2-WAY PM4 (YELLOW)	BEHIND FRONT VALANCE / RIGHT FOG LIGHT
RS16	9-WAY PM4 (BLACK)	ENGINE COMPARTMENT, RF / BULB FAIL MODULE
RS17	9-WAY PM4 (YELLOW)	ENGINE COMPARTMENT, RF / BULB FAIL MODULE
RS22	36-WAY PMHD (BLACK)	RIGHT 'A' POST, UNDER DASH PANEL / LB HARNESS
RS24	24-WAY PMHD (YELLOW)	RIGHT 'A' POST, UNDER DASH PANEL / LB HARNESS
RS50	15-WAY PMHD (BLACK)	BEHIND TRUNK TRIM PANEL, RIGHT / BULB FAIL MODULE
RS51	4-WAY PM4 (BLACK)	BEHIND TRUNK TRIM PANEL, RIGHT / BULB FAIL MODULE
SC3	6-WAY PMHD (BLUE)	STEERING COLUMN COVER / DIRECTIONAL SWITCH

GROUND

CODE	DESCRIPTION	LOCATION / INTERFACE
FFG3	EYELET	LEFT AND RIGHT FRONT CORNER / POWER GROUND
LSG37	EYELET	ENGINE COMPARTMENT, LF / POWER GROUND
RFG3	EYELET	LEFT AND RIGHT TRUNK SILLS / POWER GROUND
RSG53	EYELET	ENGINE COMPARTMENT, RF / POWER GROUND

INPUTS / OUTPUTS

LIGHTING LOGIC UNIT

CODE	IN / OUT	CIRCUIT	ACTIVE	INACTIVE
LB49-3	OUT	REAR FOG LIGHTS	GROUND	12V
LB49-4	OUT	FRONT FOG LIGHTS	GROUND	12V
LB49-5	OUT	RIGHT LOW BEAM	GROUND	12V
LB49-6	OUT	RIGHT HIGH BEAM	GROUND	12V
LB49-7	OUT	HIGH BEAM INDICATOR	GROUND	5V
LB49-8	OUT	HIGH BEAM FLASH	GROUND	12V
LB49-9	OUT	LEFT HIGH BEAM	GROUND	12V
LB49-11	OUT	LEFT LOW BEAM	GROUND	12V
LB49-20	IN	LOGIC GROUND	GROUND	GROUND
LB49-24	IN	BATTERY POWER	12V	12V



BATTERY POWER

FIG 1



IGNITION POWER

FIG 2



IGNITION SWITCHED GROUND

FIG 3

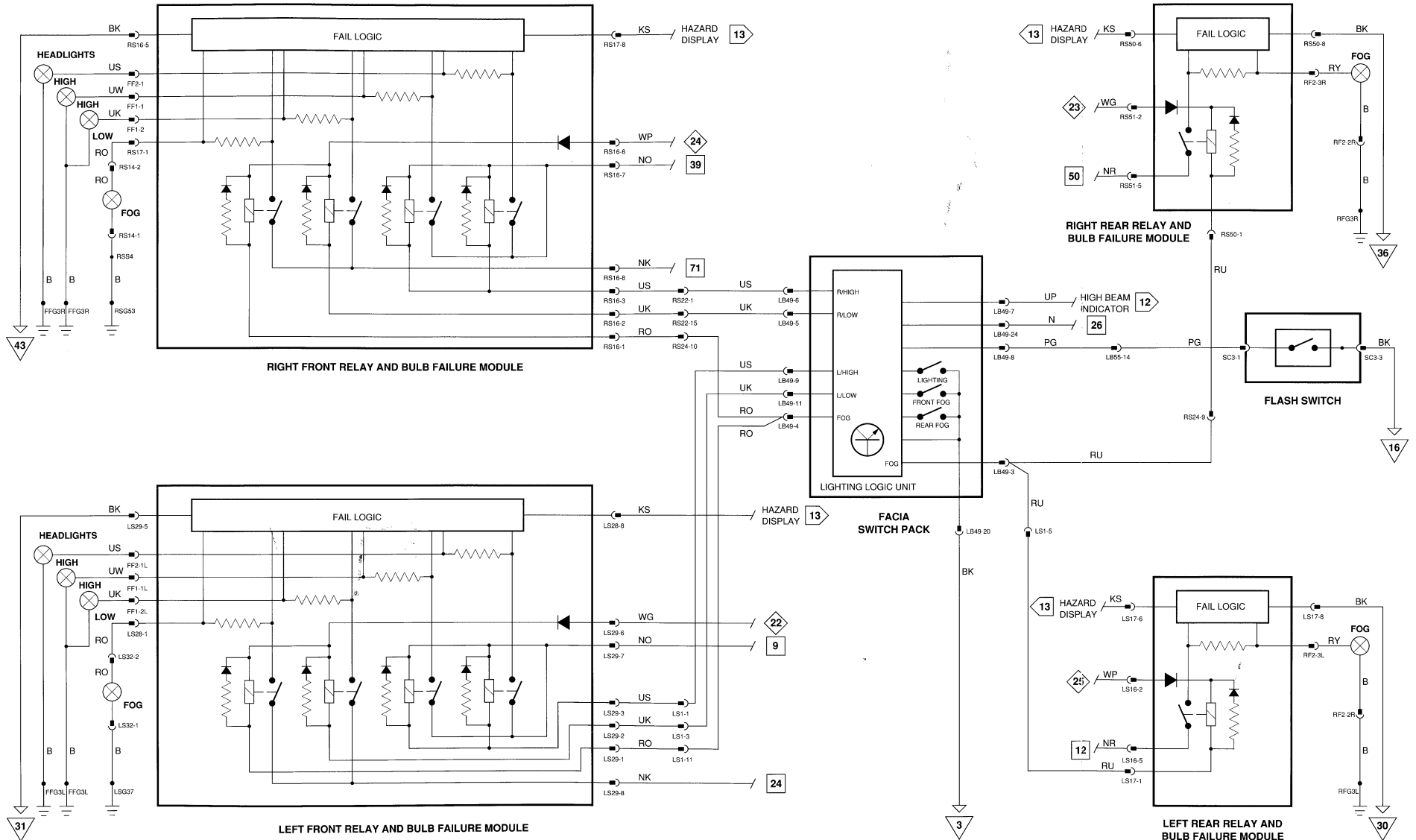


LOGIC GROUND

FIG 4



FIG NUMBER REFERENCE



COMPONENTS

DESCRIPTION

FACIA SWITCH PACK
 LINEAR GEAR POSITION SWITCHES
 RELAY AND BULB FAILURE MODULE—LEFT FRONT
 RELAY AND BULB FAILURE MODULE—LEFT REAR
 RELAY AND BULB FAILURE MODULE—RIGHT FRONT
 RELAY AND BULB FAILURE MODULE—RIGHT REAR
 RELAY—AUXILIARY SIDE LIGHT (LB18)

LOCATION

ABOVE STEERING COLUMN
 'J' GATE
 BEHIND LEFT HEADLIGHTS
 TRUNK, LEFT, REAR
 BEHIND RIGHT HEADLIGHTS
 TRUNK, RIGHT, REAR
 COMPONENT PANEL

ACCESS

DASH UNDER PANEL, LEFT
 CONSOLE SKI SLOPE PANEL
 ENGINE COMPARTMENT
 TRUNK TRIM PANEL
 ENGINE COMPARTMENT
 TRUNK TRIM PANEL
 RIGHT DASH UNDER PANEL

CONNECTORS

CODE	DESCRIPTION	LOCATION / INTERFACE
LB18	RELAY BASE (GREEN)	RIGHT DASH UNDER PANEL / AUXILIARY SIDE LIGHT RELAY
LB35	15-WAY PMHD (GREEN)	CENTER CONSOLE / LINEAR GEAR SWITCH
LB49	24-WAY PMHD (GREEN)	LEFT DASH UNDER PANEL / FACIA SWITCH PACK
LS1	36-WAY PMHD (BLACK)	LEFT 'A' POST, UNDER DASH PANEL / LB HARNESS
LS15	5-WAY AMP SOCKET (WHITE)	TRUNK, LEFT, REAR / REAR LIGHT CLUSTER
LS16	6-WAY PM4 (BLACK)	TRUNK TRIM PANEL, LR / BULB FAIL MODULE
LS17	15-WAY PMHD (BLACK)	TRUNK TRIM PANEL, LR / BULB FAIL MODULE
LS28	9-WAY PM4 (YELLOW)	ENGINE COMPARTMENT, LF / BULB FAIL MODULE
LS29	9-WAY PM4 (BLACK)	ENGINE COMPARTMENT, LF / BULB FAIL MODULE
LS31	3-WAY PM4 (GREEN)	BEHIND FRONT VALANCE / LEFT SIDE MARKER LIGHT
LS38	3-WAY PM4 (BLACK)	BEHIND FRONT VALANCE / LEFT DIRECTIONAL LIGHT
LS58	2-WAY PMHD (BLACK)	TRUNK BULKHEAD TRIM PANEL / RS HARNESS
RF1	2-WAY ECONOSEAL (BLACK)	BEHIND LEFT AND RIGHT TRUNK TRIM PANELS / REAR SIDE MARKER LIGHT
RS12	3-WAY PM4 (BLACK)	BEHIND FRONT VALANCE / RIGHT DIRECTIONAL LIGHT
RS13	2-WAY PM4 (GREEN)	BEHIND FRONT VALANCE / RIGHT SIDE MARKER LIGHT
RS16	9-WAY PM4 (BLACK)	ENGINE COMPARTMENT, RF / BULB FAIL MODULE
RS17	9-WAY PM4 (YELLOW)	ENGINE COMPARTMENT, RF / BULB FAIL MODULE
RS24	24-WAY PMHD (YELLOW)	RIGHT 'A' POST, UNDER DASH PANEL / LB HARNESS
RS42	.187 BLADE RECEPTACLE	INNER TRUNK LID PANEL / LICENSE PLATE LIGHT
RS43	.187 BLADE RECEPTACLE	INNER TRUNK LID PANEL / LICENSE PLATE LIGHT
RS45	.187 BLADE RECEPTACLE	INNER TRUNK LID PANEL / LICENSE PLATE LIGHT
RS46	.187 BLADE RECEPTACLE	INNER TRUNK LID PANEL / LICENSE PLATE LIGHT
RS50	15-WAY PMHD (BLACK)	BEHIND TRUNK TRIM PANEL, RIGHT / BULB FAIL MODULE
RS51	4-WAY PM4 (BLACK)	BEHIND TRUNK TRIM PANEL, RIGHT / BULB FAIL MODULE
RS52	5-WAY AMP (WHITE)	TRUNK, RR / REAR LIGHT CLUSTER

GROUNDS

CODE	DESCRIPTION	LOCATION / INTERFACE
LSG37	EYELET	ENGINE COMPARTMENT, LF / POWER GROUND
LSG56	EYELET	BEHIND TRUNK TRIM PANEL, LR / POWER GROUND
RFG3	EYELET	LEFT AND RIGHT TRUNK SILLS / POWER GROUND
RSG53	EYELET	ENGINE COMPARTMENT, RF / POWER GROUND
RSG55	EYELET	BEHIND TRUNK TRIM PANEL, RR / POWER GROUND

INPUTS / OUTPUTS

LIGHTING LOGIC UNIT

CODE	IN / OUT	CIRCUIT	ACTIVE	INACTIVE
LB49-14	OUT	LIGHTS ON SIGNAL TO CPU	LIGHTS ON GROUND	APPROX .07V
LB49-18	OUT	AUXILIARY SIDE LIGHT RELAY	GROUND	12V
LB49-20	IN	LOGIC GROUND	GROUND	GROUND
LB49-24	IN	BATTERY POWER	12V	12V



FIG 1



FIG 2



FIG 3



FIG 4



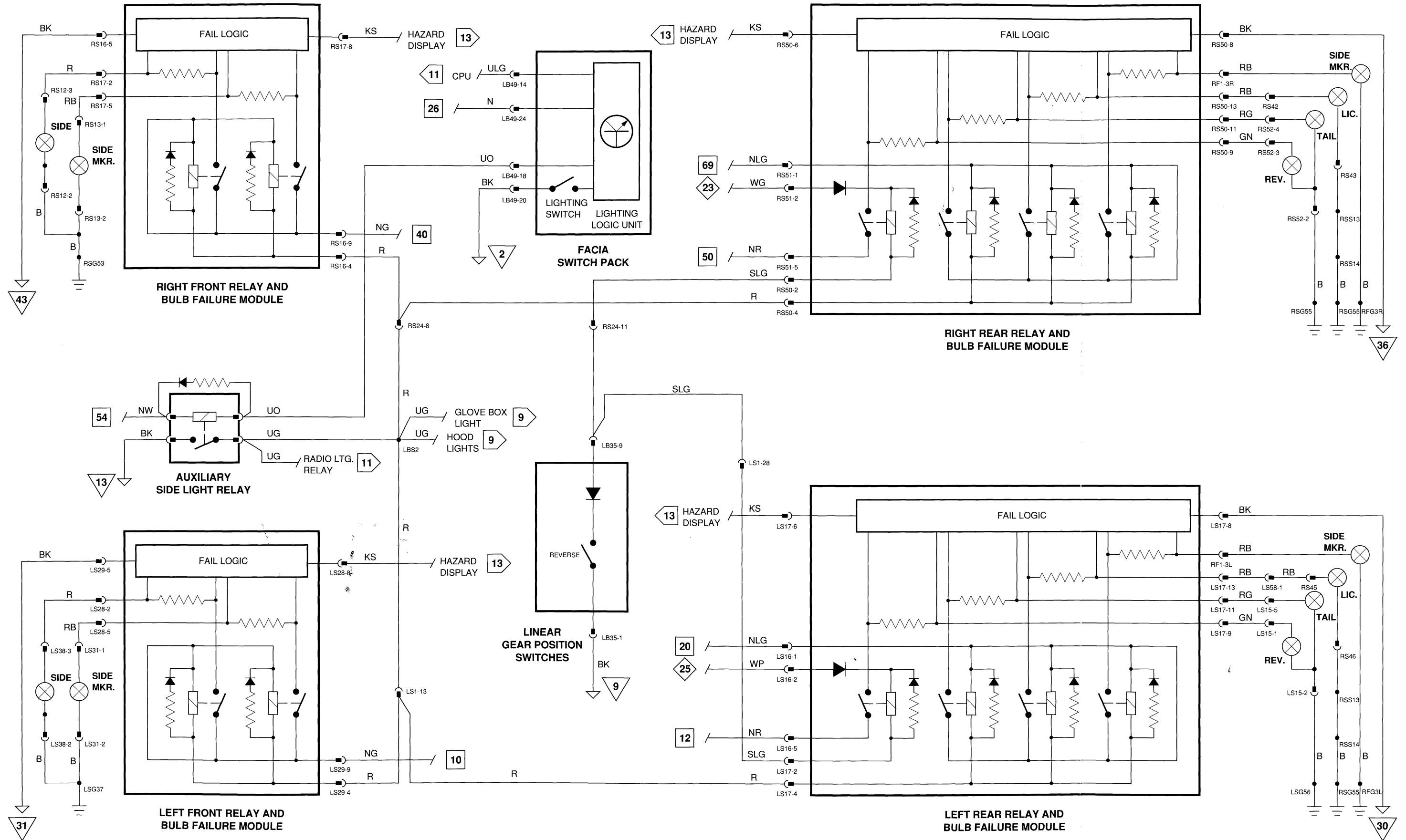


FIG 8

TURN SIGNALS; HAZARD WARNING; STOP LIGHTS

COMPONENTS

DESCRIPTION	LOCATION	ACCESS
BRAKE LIGHT SWITCH	BRAKE PEDAL BOX	DRIVER FOOTWELL
CENTRAL MICROPROCESSOR	BEHIND GLOVE BOX	UNDER DASH PANEL, RIGHT
COLUMN SWITCHES	STEERING COLUMN	STEERING COLUMN COVER
DIODE (RSD5)	TRUNK, RIGHT, REAR	RIGHT TRUNK TRIM PANEL
HAZARD SWITCH	FACIA SWITCH PACK	DASH UNDER PANEL, LEFT
HIGH MOUNT STOP LIGHT	REAR WINDOW	HIGH MOUNT STOP LIGHT COVER
RELAY—HIGH MOUNT STOP LIGHT	TRUNK, RIGHT, REAR	TRIM PANEL
RELAY AND BULB FAILURE MODULE—LEFT FRONT	BEHIND LEFT HEADLIGHTS	ENGINE COMPARTMENT
RELAY AND BULB FAILURE MODULE—LEFT REAR	TRUNK, LEFT, REAR	TRUNK TRIM PANEL
RELAY AND BULB FAILURE MODULE—RIGHT FRONT	BEHIND RIGHT HEADLIGHTS	ENGINE COMPARTMENT
RELAY AND BULB FAILURE MODULE—RIGHT REAR	TRUNK, RIGHT, REAR	TRUNK TRIM PANEL

CONNECTORS

CODE	DESCRIPTION	LOCATION / INTERFACE
HMI	3-WAY PLUG	HIGH MOUNT STOP LIGHT COVER / STOP LIGHT
LB12	3-WAY PM4 (BLACK)	RIGHT DASH UNDER PANEL / CPU
LB13	36-WAY PMHD (BLACK)	RIGHT DASH UNDER PANEL / CPU
LB14	36-WAY PMHD (YELLOW)	RIGHT DASH UNDER PANEL / CPU
LB49	24-WAY PMHD (GREEN)	LEFT DASH UNDER PANEL / FACIA SWITCH PACK
LB55	24-WAY PMHD (BLACK)	LEFT DASH UNDER PANEL / COLUMN SWITCHES
LB56	2-WAY PMHD (YELLOW)	DRIVER FOOTWELL, PEDAL BOX / BRAKE SWITCH
LB90	EYELET	PASSENGER FOOTWELL, 'A' POST / CPU GROUND
LS1	36-WAY PMHD (BLACK)	LEFT 'A' POST, UNDER DASH PANEL / LB HARNESS
LS2	15-WAY PMHD (YELLOW)	LEFT 'A' POST, UNDER DASH PANEL / LB HARNESS
LS3	9-WAY PM4 (BLACK)	LEFT 'A' POST / LB HARNESS
LS15	5-WAY AMP SOCKET (WHITE)	TRUNK, LEFT REAR / REAR LIGHT CLUSTER
LS16	6-WAY PM4 (BLACK)	TRUNK TRIM PANEL, LEFT REAR / BULB FAIL MODULE
LS17	15-WAY PMHD (BLACK)	TRUNK TRIM PANEL, LEFT REAR / BULB FAIL MODULE
LS19	3-WAY ECONOSEAL (BLACK)	NOT USED
LS28	9-WAY PM4 (YELLOW)	ENGINE COMPARTMENT, LEFT FRONT / BULB FAIL MODULE
LS29	9-WAY PM4 (BLACK)	ENGINE COMPARTMENT, LEFT FRONT / BULB FAIL MODULE
LS38	3-WAY PM4 (BLACK)	BEHIND FRONT VALANCE / LEFT DIRECTIONAL LIGHT
RS12	3-WAY PM4 (BLACK)	BEHIND FRONT VALANCE / RIGHT DIRECTIONAL LIGHT
RS16	9-WAY PM4 (BLACK)	ENGINE COMPARTMENT, RIGHT FRONT / BULB FAIL MODULE
RS17	9-WAY PM4 (YELLOW)	ENGINE COMPARTMENT, RIGHT FRONT / BULB FAIL MODULE
RS22	36-WAY PMHD (BLACK)	RIGHT 'A' POST, UNDER DASH PANEL / LB HARNESS
RS24	24-WAY PMHD (YELLOW)	RIGHT 'A' POST, UNDER DASH PANEL / LB HARNESS
RS26	2-WAY ECONOSEAL	NOT USED
RS50	15-WAY PMHD (BLACK)	BEHIND TRUNK TRIM PANEL, RIGHT / BULB FAIL MODULE
RS51	4-WAY PM4 (BLACK)	BEHIND TRUNK TRIM PANEL, RIGHT / BULB FAIL MODULE
RS52	5-WAY AMP SOCKET (WHITE)	TRUNK, RIGHT REAR / REAR LIGHT CLUSTER
RS71	3-WAY	REAR PARCEL SHELF / HIGH MOUNT STOP LIGHT
RS79	RELAY BASE	TRUNK TRIM PANEL, RIGHT / HIGH MOUNT STOP LIGHT RELAY
RS87	6-WAY PM4 (BLACK)	RIGHT DASH UNDER PANEL, 'A' POST, HIGH / LB HARNESS
SC3	6-WAY PMHD (BLUE)	STEERING COLUMN COVER / DIRECTIONAL SWITCH
SC4	6-WAY PMHD (BROWN)	STEERING COLUMN COVER / SPEAKER, DI CANCEL SWITCH

GROUNDINGS

CODE	DESCRIPTION	LOCATION / INTERFACE
LBG72	EYELET	DRIVER FOOTWELL, LEFT 'A' POST / POWER GROUND
LBG75	EYELET	BULKHEAD, BEHIND LEFT BLOWER AIR DUCT / POWER GROUND
LBG80	EYELET	PASSENGER FOOTWELL, RIGHT 'A' POST / POWER GROUND
LBG88	EYELET	RIGHT BULKHEAD, BEHIND DASH / POWER GROUND
LSG37	EYELET	ENGINE COMPARTMENT, LEFT FRONT / POWER GROUND
LSG56	EYELET	TRUNK TRIM PANEL, LEFT REAR / POWER GROUND
RSG53	EYELET	ENGINE COMPARTMENT, RIGHT FRONT / POWER GROUND
RSG55	EYELET	BEHIND TRUNK TRIM PANEL, RIGHT REAR / POWER GROUND

INPUTS / OUTPUTS

CENTRAL MICROPROCESSOR

CODE	IN / OUT	CIRCUIT	ACTIVE	INACTIVE
LB12-2	IN	BATTERY POWER	12V	12V
LB13-1	IN	IGNITION POWER	12V	0V
LB13-6	IN	HAZARD WARNING	GROUND	OPEN CIRCUIT
LB13-9	IN	RIGHT TURN SIGNAL	GROUND PULSE	OPEN CIRCUIT
LB13-10	IN	LEFT TURN SIGNAL	GROUND PULSE	OPEN CIRCUIT
LB13-11	IN	LEFT TURN CANCEL	GROUND PULSE	OPEN CIRCUIT
LB13-12	IN	CENTER TURN CANCEL	GROUND PULSE	OPEN CIRCUIT
LB13-13	IN	RIGHT TURN CANCEL	GROUND PULSE	OPEN CIRCUIT
LB13-14	IN	TURN SIGNAL BULB FAIL	FAIL: GROUND	PASS: 5V
LB13-15	IN	TURN SIGNAL BULB FAIL	FAIL: GROUND	PASS: 5V
LB13-27	IN	BULB MODULE DISCONNECT LOOP	FAIL: 5V	PASS: GROUND
LB13-28	IN	BULB MODULE DISCONNECT LOOP	FAIL: 5V	PASS: GROUND
LB13-36	IN	LOGIC GROUND	GROUND	GROUND
LB14-2	OUT	TURN SIGNAL BULB FAIL	12V	GROUND
LB14-6	OUT	4-WAY FLASH INDICATION	STAGGERED PULSE TO GROUND	12V
LB14-7	OUT	RIGHT TURN SIGNAL	STAGGERED PULSE TO GROUND	12V
LB14-8	OUT	LEFT TURN SIGNAL	STAGGERED PULSE TO GROUND	12V
LB14-9	OUT	RIGHT TURN SIGNAL INDICATOR	STAGGERED PULSE TO GROUND	5V
LB14-10	OUT	LEFT TURN SIGNAL INDICATOR	STAGGERED PULSE TO GROUND	5V
LB14-14	OUT	TURN SIGNAL AUDIBLE WARNING	STAGGERED PULSE TO GROUND	5V
LB90	IN	POWER GROUND		

COLUMN SWITCHES

CODE	IN / OUT	CIRCUIT	ACTIVE	INACTIVE
LB55-3	OUT	LEFT TURN SIGNAL CANCEL SWITCH	GROUND	OPEN CIRCUIT
LB55-4	OUT	CENTER TURN SIGNAL CANCEL SWITCH	GROUND	OPEN CIRCUIT
LB55-5	OUT	RIGHT TURN SIGNAL CANCEL SWITCH	GROUND	OPEN CIRCUIT
LB55-6	OUT	LEFT TURN SIGNAL SWITCH	GROUND	OPEN CIRCUIT
LB55-7	OUT	RIGHT TURN SIGNAL SWITCH	GROUND	OPEN CIRCUIT



FIG 1



FIG 2



FIG 3



FIG 4



FIG 5

COMPONENTS

DESCRIPTION	LOCATION	ACCESS
CENTER CONSOLE SWITCHES	CENTER CONSOLE	CONSOLE SKI SLOPE PANEL
CENTRAL MICROPROCESSOR	BEHIND GLOVE BOX	UNDER DASH PANEL, RIGHT
DIODE—LB26	LEFT OF GLOVE BOX W/LB26	RIGHT DASH UNDER PANEL
DOOR GUARD LIGHTS	DOOR ARM REST	DOOR LOWER TRIM PANEL
DOOR SWITCH PANEL	DOOR ARM REST	DOOR LOWER TRIM PANEL
DOOR SWITCH	DOOR LATCH	DOOR LOWER TRIM PANEL
'E' POST LIGHT—LEFT	LEFT 'E' POST	'E' POST TRIM
'E' POST LIGHT—RIGHT	RIGHT 'E' POST	'E' POST TRIM
FACIA SWITCH PACK	ABOVE STEERING COLUMN	DASH UNDER PANEL, LEFT
GLOVE BOX LIGHT	DASH GLOVE BOX	DASH GLOVE BOX
GLOVE BOX SWITCH	DASH GLOVE BOX	DASH GLOVE BOX
HOOD SWITCH	RADIATOR BRACE, RF	ENGINE COMPARTMENT
RELAY—AUXILIARY SIDE LIGHT (LB18)	COMPONENT PANEL	RIGHT DASH UNDER PANEL
ROOF CONSOLE	HEAD LINER, CENTER FRONT	REMOVABLE PANEL
TRUNK LIGHT	TRUNK LID, REAR FACE	TRUNK
TRUNK SWITCH	RIGHT TRUNK LID HINGE	TRUNK
UNDERHOOD LIGHTS	UNDER ENGINE HOOD	ENGINE HOOD

CONNECTORS

CODE	DESCRIPTION	LOCATION / INTERFACE	CODE	DESCRIPTION	LOCATION / INTERFACE
BH1	3-WAY ECONOSEAL (RED)	HOOD SOUND DEADENER / UNDER HOOD LAMP	LB26	24-WAY PMHD (BLACK)	RIGHT DASH UNDER PANEL / GLOVE BOX LIGHT
BH2	3-WAY ECONOSEAL (RED)	HOOD SOUND DEADENER / UNDER HOOD LAMP	LB30	15-WAY PMHD (BLUE)	CENTER CONSOLE / CENTER CONSOLE SWITCH PANEL
CB1	SLIM LOCK TERMINAL	GLOVE BOX / LAMP	LB49	24-WAY PMHD (GREEN)	LEFT DASH UNDER PANEL / FACIA SWITCH PACK
CB2	SLIM LOCK TERMINAL	GLOVE BOX / LAMP	LB90	EYELET	PASSENGER FOOTWELL, 'A' POST / CPU GROUND
CB3	SLIM LOCK TERMINAL	GLOVE BOX / SWITCH	LB119	5-WAY PIN CONNECTOR (BLACK)	CARPET UNDER DRIV. SEAT / DRIVER SIDE IL HARNESS
CB4	SLIM LOCK TERMINAL	GLOVE BOX / SWITCH	LB120	5-WAY PIN CONNECTOR (BLACK)	CARPET UNDER PASS. SEAT / PASS. SIDE IL HARNESS
DD1	6-WAY PM4 (YELLOW)	DOOR TRIM, LOWER / DOOR SWITCH PANEL	LS42	2-WAY ECONOSEAL	LEFT 'E' POST TRIM / MAP READING LIGHT
DD2	24-WAY PMHD (YELLOW)	DOOR TRIM, LOWER / DOOR SWITCH PANEL	PD2	6-WAY PM4 (BLACK)	DOOR, INNER / DOOR LATCH SWITCH
DD9	6-WAY PM4 (BLACK)	DOOR, INNER / DOOR LATCH SWITCH	PD7	6-WAY PM4 (YELLOW)	DOOR TRIM, LOWER / DOOR SWITCH PANEL
DS2	.250 BLADE RECEPTACLE	DOOR TRIM, LOWER / DOOR GUARD LAMP	PD8	6-WAY PMHD (YELLOW)	DOOR TRIM, LOWER / DOOR SWITCH PANEL
DS3	.250 BLADE RECEPTACLE	DOOR TRIM, LOWER / DOOR GUARD LAMP	PS2	.250 BLADE RECEPTACLE	DOOR TRIM, LOWER / DOOR GUARD LIGHT
DS4	2-WAY ECONOSEAL (BLACK)	DOOR TRIM, LOWER / DOOR GUARD LAMP	PS3	.250 BLADE RECEPTACLE	DOOR TRIM, LOWER / DOOR GUARD LIGHT
IL2	POSITIVE LOCK RECEPTACLE	FRONT SEAT HEADREST / READING LAMP	PS4	2-WAY ECONOSEAL (BLACK)	DOOR TRIM, LOWER / DOOR GUARD LIGHT
IL3	POSITIVE LOCK TERMINAL	FRONT SEAT HEADREST / READING LAMP	RD2	6-WAY PM4 (BLUE)	DOOR, INNER / DOOR LATCH SWITCH
IL4	.250 BLADE RECEPTACLE	FRONT SEAT HEADREST / READING LAMP	RD5	6-WAY PMHD (YELLOW)	DOOR TRIM, UPPER / DOOR SWITCH PANEL
IL7	5-WAY PIN CONNECTOR (BLACK)	UNDER FRONT SEAT CUSHION / SEAT BACK IL HARNESS	RS1	2-WAY ECONOSEAL (RED)	RIGHT RADIATOR SUPPORT / UNDER HOOD LIGHTS
LB6	4-WAY PMHD (BLACK)	ROOF CONSOLE PANEL / MAP LIGHT	RS24	24-WAY PMHD (YELLOW)	RIGHT 'A' POST, UNDER DASH PANEL / LB HARNESS
LB12	3-WAY PM4 (BLACK)	RIGHT DASH UNDER PANEL / CPU	RS41	2-WAY PMHD (YELLOW)	INNER TRUNK LID PANEL / TRUNK LIGHT
LB13	36-WAY PMHD (BLACK)	RIGHT DASH UNDER PANEL / CPU	RS47	.250 BLADE RECEPTACLE	RIGHT TRUNK LID HINGE / TRUNK LIGHT SWITCH
LB14	36-WAY PMHD (YELLOW)	RIGHT DASH UNDER PANEL / CPU	RS54	2-WAY ECONOSEAL (BLACK)	ENGINE COMPARTMENT, RF / HOOD LIGHT SWITCH
LB18	RELAY BASE (GREEN)	RIGHT DASH UNDER PANEL / AUX. SIDE LIGHT RELAY	RS64	2-WAY ECONOSEAL (BLACK)	RIGHT 'E' POST TRIM / MAP READING LIGHT

GROUNDS

CODE	DESCRIPTION	LOCATION / INTERFACE
LBG88	EYELET	RIGHT BULKHEAD, BEHIND DASH / POWER GROUND
LSG56	EYELET	TRUNK TRIM PANEL, LEFT REAR / POWER GROUND
RSG55	EYELET	BEHIND TRUNK TRIM PANEL, RIGHT REAR / POWER GROUND

INPUTS / OUTPUTS

CENTRAL MICROPROCESSOR

CODE	IN / OUT	CIRCUIT	ACTIVE	INACTIVE
LB12-2	IN	BATTERY POWER	12V	12V
LB13-1	IN	IGNITION POWER	12V	0V
LB13-18	IN	PASSENGER DOOR SWITCHES	DOOR OPEN: GROUND	DOOR CLOSED: OPEN CIRCUIT
LB13-20	IN	DRIVERS DOOR SWITCH	GROUND	OPEN CIRCUIT
LB13-21	IN	IGNITION GROUND	KEY ON: GROUND	KEY OFF: OPEN CIRCUIT
LB13-34	IN	INTERIOR LIGHTS	GROUND	12V
LB13-35	IN	INTERIOR LIGHTS	GROUND	OPEN CIRCUIT
LB13-36	IN	LOGIC GROUND	GROUND	GROUND
LB14-13	OUT	INTERIOR LIGHTS	GROUND: 0V	12V
LB14-17	OUT	ROOF CONSOLE MAP LIGHT	GROUND: 0V	12V
LB14-36	OUT	CENTER CONSOLE PANEL GROUND	GROUND: 0V	GROUND: 0V
LB90	IN	POWER GROUND		

CENTER CONSOLE SWITCH

CODE	IN / OUT	CIRCUIT	ACTIVE	INACTIVE
LB30-5	OUT	MAP LIGHT SWITCH	GROUND	12V
LB30-6	IN	INTERIOR LIGHT SWITCH	GROUND	OPEN CIRCUIT
LB30-12	IN	LOGIC GROUND THROUGH CPU		

LIGHTING LOGIC UNIT

CODE	IN / OUT	CIRCUIT	ACTIVE	INACTIVE
LB49-14	OUT	LIGHTS ON SIGNAL TO CPU	LIGHTS ON: GROUND	LIGHTS OFF: APPROX .07V
LB49-18	OUT	AUXILIARY SIDE LIGHT RELAY	GROUND	12V
LB49-20	IN	LOGIC GROUND	GROUND	GROUND
LB49-24	IN	BATTERY POWER	12V	12V



FIG 1



FIG 2

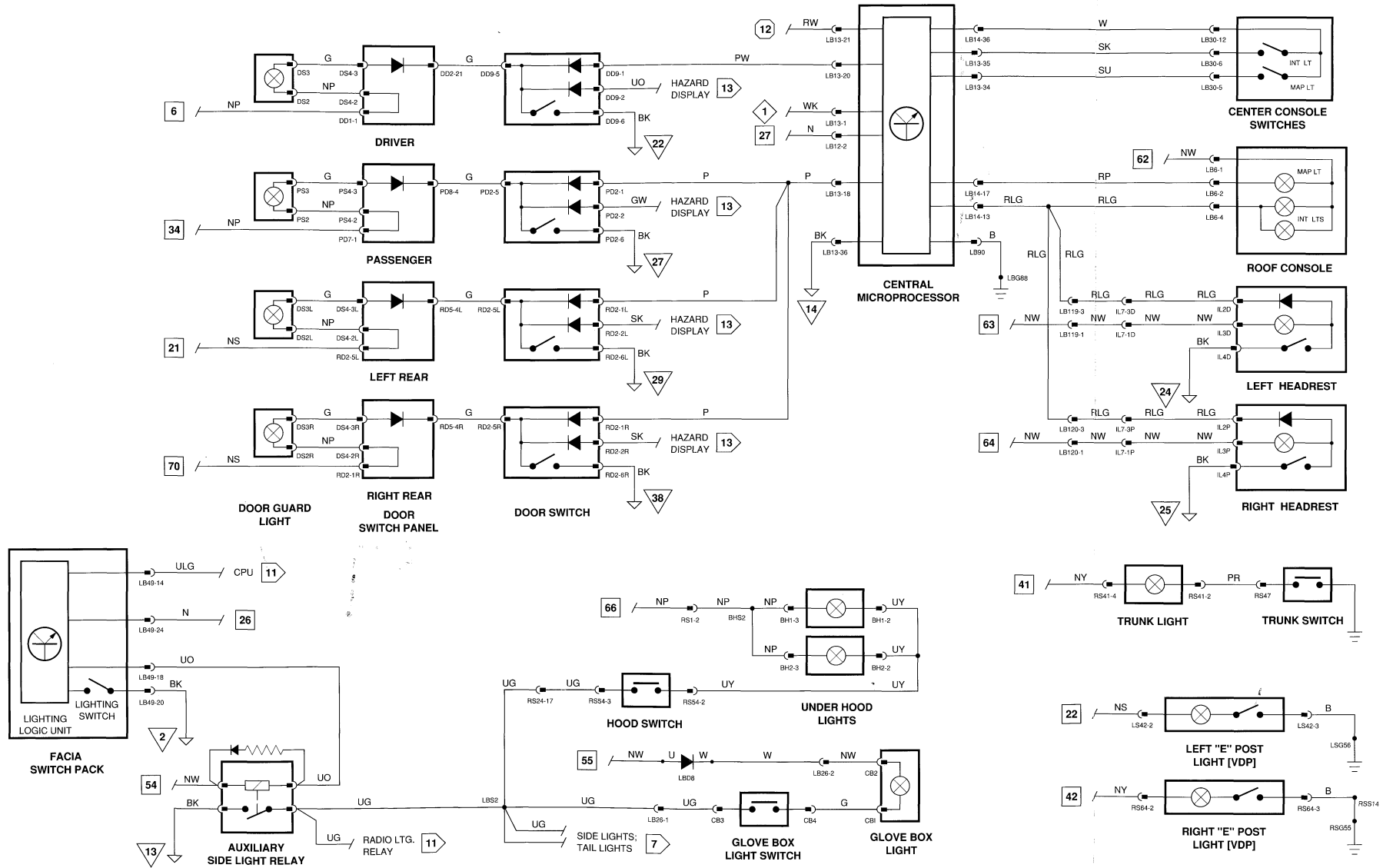


FIG 3



FIG 4





COMPONENTS

DESCRIPTION	LOCATION	ACCESS
CENTER CONSOLE SWITCHES	CENTER CONSOLE	CONSOLE SKI SLOPE PANEL
CENTRAL MICROPROCESSOR	BEHIND GLOVE BOX	UNDER DASH PANEL, RIGHT
DIODE—LBD8	LEFT OF GLOVE BOX W/LB26	RIGHT DASH UNDER PANEL
DOOR GUARD LIGHTS	DOOR ARM REST	DOOR LOWER TRIM PANEL
DOOR SWITCH PANEL	DOOR ARM REST	DOOR LOWER TRIM PANEL
DOOR SWITCH	DOOR LATCH	DOOR LOWER TRIM PANEL
'E' POST LIGHT—LEFT	LEFT 'E' POST	'E' POST TRIM
'E' POST LIGHT—RIGHT	RIGHT 'E' POST	'E' POST TRIM
FACIA SWITCH PACK	ABOVE STEERING COLUMN	DASH UNDER PANEL, LEFT
GLOVE BOX LIGHT	DASH GLOVE BOX	DASH GLOVE BOX
GLOVE BOX SWITCH	DASH GLOVE BOX	DASH GLOVE BOX
HOOD SWITCH	RADIATOR BRACE, RF	ENGINE COMPARTMENT
RELAY—AUXILIARY SIDE LIGHT (LB18)	COMPONENT PANEL	RIGHT DASH UNDER PANEL
RELAY—DOOR GUARD LIGHT (LB108)	COMPONENT PANEL	RIGHT DASH UNDER PANEL
ROOF CONSOLE	HEAD LINER, CENTER FRONT	REMOVABLE PANEL
TRUNK LIGHT	TRUNK LID, REAR FACE	TRUNK
TRUNK SWITCH	RIGHT TRUNK LID HINGE	TRUNK
UNDERHOOD LIGHTS	UNDER ENGINE HOOD	ENGINE HOOD

CONNECTORS

CODE	DESCRIPTION	LOCATION / INTERFACE	CODE	DESCRIPTION	LOCATION / INTERFACE
BH1	3-WAY ECONOSEAL (RED)	HOOD SOUND DEADENER / UNDER HOOD LAMP	LB61	36-WAY PMHD (BLACK)	INSIDE LEFT 'A' POST / DD HARNESS
BH2	3-WAY ECONOSEAL(RED)	HOOD SOUND DEADENER / UNDER HOOD LAMP	LB90	EYELET	PASSENGER FOOTWELL, 'A' POST / CPU GROUND
CB1	SLIM LOCK TERMINAL	GLOVE BOX / LAMP	LB108	RELAY BASE (YELLOW)	RIGHT DASH UNDER PANEL / DOOR GUARD LIGHT RELAY
CB2	SLIM LOCK TERMINAL	GLOVE BOX / LAMP	LB119	5-WAY PIN CONNECTOR (BLACK)	CARPET UNDER DRIV. SEAT / DRIVER SIDE IL HARNESS
CB3	SLIM LOCK TERMINAL	GLOVE BOX / SWITCH	LB120	5-WAY PIN CONNECTOR (BLACK)	CARPET UNDER PASS. SEAT / PASS. SIDE IL HARNESS
CB4	SLIM LOCK TERMINAL	GLOVE BOX / SWITCH	LS1	36-WAY PMHD (BLACK)	LEFT 'A' POST, UNDER DASH PANEL / LB HARNESS
DD2	24-WAY PMHD (YELLOW)	DOOR TRIM, LOWER / DOOR SWITCH PANEL	LS42	2-WAY ECONOSEAL	LEFT 'E' POST TRIM / MAP READING LIGHT
DD9	6-WAY PM4 (BLACK)	DOOR, INNER / DOOR LATCH SWITCH	PD2	6-WAY PM4 (BLACK)	DOOR, INNER / DOOR LATCH SWITCH
DD12	2-WAY PMHD (BLUE)	DOOR TRIM, / DOOR SWITCH PANEL DS2	PD8	6-WAY PMHD (YELLOW)	DOOR TRIM, LOWER / DOOR SWITCH PANEL
.250 BLADE RECEPTACLE		DOOR TRIM, LOWER / DOOR GUARD LAMP	PD15	2-WAY PMHD (BLUE)	DOOR TRIM, LOWER / DOOR SWITCH PANEL
DS3	.250 BLADE RECEPTACLE	DOOR TRIM, LOWER / DOOR GUARD LAMP	PS2	.250 BLADE RECEPTACLE	DOOR TRIM, LOWER / DOOR GUARD LIGHT
DS4	2-WAY ECONOSEAL (BLACK)	DOOR TRIM, LOWER / DOOR GUARD LAMP	PS3	.250 BLADE RECEPTACLE	DOOR TRIM, LOWER / DOOR GUARD LIGHT
IL2	POSITIVE LOCK RECEPTACLE	FRONT SEAT HEADREST / READING LAMP	PS4	2-WAY ECONOSEAL (BLACK)	DOOR TRIM, LOWER / DOOR GUARD LIGHT
IL3	POSITIVE LOCK TERMINAL	FRONT SEAT HEADREST / READING LAMP	RD2	6-WAY PM4 (BLUE)	DOOR, INNER / DOOR LATCH SWITCH
IL4	.250 BLADE RECEPTACLE	FRONT SEAT HEADREST / READING LAMP	RD5	6-WAY PMHD (YELLOW)	DOOR TRIM, UPPER / DOOR SWITCH PANEL
IL7	5-WAY PIN CONNECTOR (BLACK)	UNDER FRONT SEAT CUSHION / SEAT BACK IL HARNESS	RD7	2-WAY PMHD (BLUE)	DOOR TRIM, LOWER / DOOR SWITCH PANEL
LB6	4-WAY PMHD (BLACK)	ROOF CONSOLE PANEL / MAP LIGHT	RS1	2-WAY ECONOSEAL (RED)	RIGHT RADIATOR SUPPORT / UNDER HOOD LIGHTS
LB8	24-WAY PMHD (BLACK)	INSIDE RIGHT 'A' POST / PD HARNESS	RS22	36-WAY PMHD (BLACK)	RIGHT 'A' POST, UNDER DASH PANEL / LB HARNESS
LB12	3-WAY PM4 (BLACK)	RIGHT DASH UNDER PANEL / CPU	RS24	24-WAY PMHD (YELLOW)	RIGHT 'A' POST, UNDER DASH PANEL / LB HARNESS
LB13	36-WAY PMHD (BLACK)	RIGHT DASH UNDER PANEL / CPU	RS32	16-WAY PMHD (BLACK)	RIGHT LOWER 'B/C' POST TRIM / RD HARNESS
LB14	36-WAY PMHD (YELLOW)	RIGHT DASH UNDER PANEL / CPU	RS41	2-WAY PMHD (YELLOW)	INNER TRUNK LID PANEL / TRUNK LIGHT
LB18	RELAY BASE (GREEN)	RIGHT DASH UNDER PANEL / AUX. SIDE LIGHT RELAY	RS47	.250 BLADE RECEPTACLE	RIGHT TRUNK LID HINGE / TRUNK LIGHT SWITCH
LB26	24-WAY PMHD (BLACK)	RIGHT DASH UNDER PANEL / GLOVE BOX LIGHT	RS54	2-WAY ECONOSEAL (BLACK)	ENGINE COMPARTMENT, RF / HOOD LIGHT SWITCH
LB30	15-WAY PMHD (BLUE)	CENTER CONSOLE / CENTER CONSOLE SWITCH PANEL	RS64	2-WAY ECONOSEAL (BLACK)	RIGHT 'E' POST TRIM / MAP READING LIGHT
LB49	24-WAY PMHD (GREEN)	LEFT DASH UNDER PANEL / FACIA SWITCH PACK			

GROUNDS

CODE	DESCRIPTION	LOCATION / INTERFACE
LBG88	EYELET	RIGHT BULKHEAD, BEHIND DASH / POWER GROUND
LSG56	EYELET	TRUNK TRIM PANEL, LEFT REAR / POWER GROUND
RSG55	EYELET	BEHIND TRUNK TRIM PANEL, RIGHT REAR / POWER GROUND

INPUTS / OUTPUTS

CENTRAL MICROPROCESSOR

CODE	IN / OUT	CIRCUIT	ACTIVE	INACTIVE
LB12-2	IN	BATTERY POWER	12V	12V
LB13-1	IN	IGNITION POWER	12V	0V
LB13-18	IN	PASSENGER DOOR SWITCHES	DOOR OPEN: GROUND	DOOR CLOSED: OPEN CIRCUIT
LB13-20	IN	DRIVERS DOOR SWITCH	GROUND	OPEN CIRCUIT
LB13-21	IN	IGNITION GROUND	KEY ON: GROUND	KEY OFF: OPEN CIRCUIT
LB13-34	IN	INTERIOR LIGHTS	GROUND	12V
LB13-35	IN	INTERIOR LIGHTS	GROUND	OPEN CIRCUIT
LB13-36	IN	LOGIC GROUND	GROUND	GROUND
LB14-13	OUT	INTERIOR LIGHTS	GROUND: 0V	12V
LB14-17	OUT	ROOF CONSOLE MAP LIGHT	GROUND: 0V	12V
LB14-32	OUT	CENTER CONSOLE PANEL GROUND	GROUND: 0V	GROUND: 0V
LB90	IN	POWER GROUND		

CENTER CONSOLE SWITCH

CODE	IN / OUT	CIRCUIT	ACTIVE	INACTIVE
LB30-5	OUT	MAP LIGHT SWITCH	GROUND	12V
LB30-6	IN	INTERIOR LIGHT SWITCH	GROUND	OPEN CIRCUIT
LB30-12	IN	LOGIC GROUND THROUGH CPU	GROUND	GROUND

LIGHTING LOGIC UNIT

CODE	IN / OUT	CIRCUIT	ACTIVE	INACTIVE
LB49-14	OUT	LIGHTS ON SIGNAL TO CPU	LIGHTS ON: GROUND	LIGHTS OFF: APPROX .07V
LB49-18	OUT	AUXILIARY SIDE LIGHT RELAY	GROUND	12V
LB49-20	IN	LOGIC GROUND	GROUND	GROUND
LB49-24	IN	BATTERY POWER	12V	12V



FIG 1



FIG 2

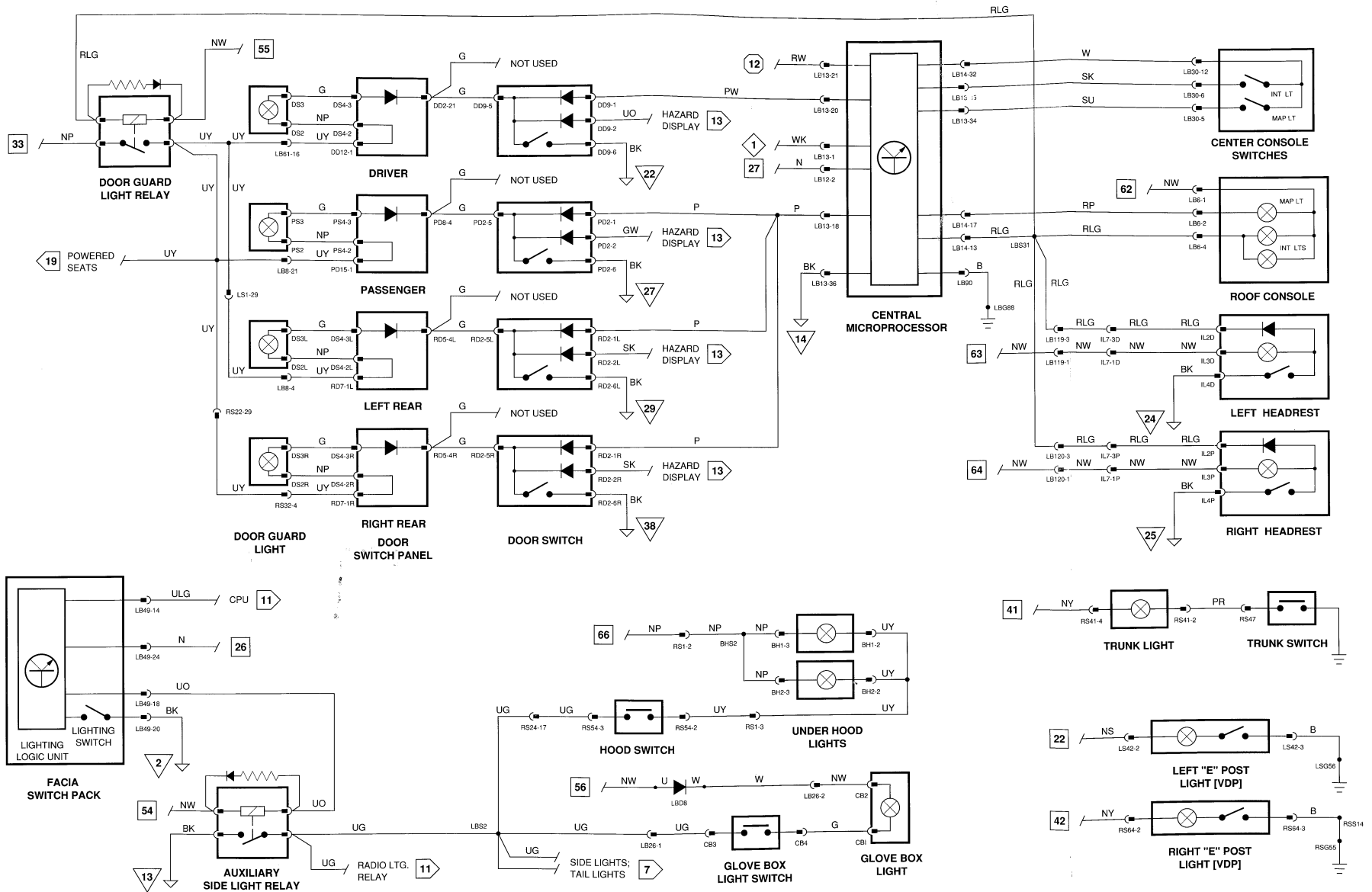


FIG 3



FIG 4





COMPONENTS

DESCRIPTION	LOCATION	ACCESS
CENTER CONSOLE	CENTER CONSOLE	CONSOLE SKI SLOPE PANEL
CENTRAL MICROPROCESSOR	BEHIND GLOVE BOX	UNDER DASH PANEL, RIGHT
CIGAR LIGHTER—FRONT	CENTER CONSOLE ASHTRAY	ASHTRAY
CIGAR LIGHTER—REAR	CENTER CONSOLE REAR PANEL	CENTER GLOVE BOX
CLIMATE CONTROL PANEL	CENTER CONSOLE	CONSOLE SKI SLOPE PANEL
COLUMN SWITCHES	STEERING COLUMN	STEERING COLUMN COVER
DIODE—LBD11	RIGHT LOWER 'A' POST, FORWARD	PASSENGER FOOTWELL
FACIA SWITCH PACK	ABOVE STEERING COLUMN	UNDER DASH PANEL, LEFT
GEAR SELECTOR LIGHTING MODULE	'J' GATE	CONSOLE SKI SLOPE PANEL
INSTRUMENT PACK	DRIVER SIDE DASH	UNDER DASH PANEL, LEFT
LINEAR GEAR POSITION SWITCHES	'J' GATE	CONSOLE SKI SLOPE PANEL
RADIO	CENTER CONSOLE	CONSOLE SKI SLOPE PANEL
RELAY—AUXILIARY SIDE LIGHT (LB18)	COMPONENT PANEL	RIGHT DASH UNDER PANEL
RELAY—RADIO LIGHTING (LB92)	PASSENGER FOOTWELL, 'A' POST	TRIM PANEL

CONNECTORS

CODE	DESCRIPTION	LOCATION / INTERFACE	CODE	DESCRIPTION	LOCATION / INTERFACE
AC1	24-WAY PMHD (YELLOW)	CENTER CONSOLE / AC CONTROL PANEL	LB43	4-WAY ECONOSEAL (WHITE)	CENTER CONSOLE / REAR CIGAR LIGHTER
GS1	15-WAY PMHD (BLACK)	CENTER CONSOLE / LINEAR GEAR SWITCH	LB49	24-WAY PMHD (GREEN)	LEFT DASH UNDER PANEL / FACIA SWITCH PACK
LB12	3-WAY PM4 (BLACK)	RIGHT DASH UNDER PANEL / CPU	LB51	15-WAY PMHD (BROWN)	LEFT DASH UNDER PANEL / FACIA SWITCH PACK
LB13	36-WAY PMHD (BLACK)	RIGHT DASH UNDER PANEL / CPU	LB52	15-WAY PMHD (BLUE)	LEFT DASH UNDER PANEL / INSTRUMENT PACK
LB14	36-WAY PMHD (YELLOW)	RIGHT DASH UNDER PANEL / CPU	LB53	24-WAY PMHD (YELLOW)	LEFT DASH UNDER PANEL / INSTRUMENT PACK
LB18	RELAY BASE (GREEN)	RIGHT DASH UNDER PANEL / AUXILIARY SIDE LT. RELAY	LB55	24-WAY PMHD (BLACK)	LEFT DASH UNDER PANEL / COLUMN SWITCHES
LB30	15-WAY PMHD (BLUE)	CENTER CONSOLE / CENTER CONSOLE SWITCH PANEL	LB66	15-WAY PMHD (BLACK)	CENTER CONSOLE, AC CONTROL PANEL / AC HARNESS
LB33	15-WAY PMHD (YELLOW)	CENTER CONSOLE / RADIO	LB90	EYELET	PASSENGER FOOTWELL, 'A' POST / CPU GROUND
LB35	15-WAY PMHD (GREEN)	CENTER CONSOLE / LINEAR GEAR SWITCH	LB92	RELAY BASE (YELLOW)	PASSENGER FOOTWELL, 'A' POST / RADIO LIGHT. RELAY
LB38	4-WAY ECONOSEAL (WHITE)	CENTER CONSOLE / FRONT CIGAR LIGHTER	SCI	6-WAY PMHD (BLACK)	STEERING COLUMN COVER / DIMMER MODULE

GROUND

CODE	DESCRIPTION	LOCATION / INTERFACE
LBG73	EYELET	CENTER CONSOLE ASHTRAY / POWER GROUND
LBG75	EYELET	BULKHEAD, BEHIND LEFT BLOWER AIR DUCT / POWER GROUND
LBG88	EYELET	RIGHT BULKHEAD, BEHIND DASH / POWER GROUND

INPUTS / OUTPUTS

CENTRAL MICROPROCESSOR

CODE	IN / OUT	CIRCUIT	ACTIVE	INACTIVE
LB12-2	IN	BATTERY POWER	12V	12V
LB13-1	IN	IGNITION POWER	12V	0V
LB13-7	IN	INSTRUMENT LIGHTING	LIGHTS ON: GROUND	LIGHTS OFF: OPEN CIRCUIT
LB13-16	OUT	TIME CLOCK MEMORY	12V	0V
LB13-17	IN	KEY BOARD LIGHTING SWITCH	BUTTON IN: GROUND	BUTTON OUT: OPEN CIRCUIT
LB13-32	IN	CLOCK MOMENTARY LIGHTING	GROUND	OPEN CIRCUIT
LB13-36	IN	LOGIC GROUND	GROUND	GROUND
LB14-24	OUT	KEY BOARD LIGHTING	TIMED GROUND: 0V	DIMMER OUTPUT: 4.5-12V
LB14-32	NOT USED			
LB14-35	OUT	CLOCK DISPLAY W/ KEY ON	12V	0V
LB14-36	OUT	CENTER CONSOLE PANEL GROUND	GROUND: 0V	GROUND: 0V
LB90	IN	POWER GROUND		

CLIMATE CONTROL PANEL

CODE	IN / OUT	CIRCUIT	ACTIVE	INACTIVE
AC1-18	IN	LIGHTING GROUND	GROUND	GROUND
AC1-20	IN	LOCATE LIGHTING	DIMMER OUTPUT: 4.5-12V	0V
AC1-21	IN	AUXILIARY SIDE LIGHT RELAY	LIGHTS ON: GROUND	LIGHTS OFF: 12V

CLOCK / CENTER CONSOLE

CODE	IN / OUT	CIRCUIT	ACTIVE	INACTIVE
LB30-3	OUT	CLOCK MOMENTARY LIGHTING	MOMENTARY GROUND	OPENCIRCUIT
LB30-11	IN	LOCATE LIGHTING	DIMMER OUTPUT: 4.5-12V	0V
LB30-12	IN	LOGIC GROUND THROUGH CPU	GROUND	GROUND
LB30-13	IN	CLOCK DISPLAY POWER	12V	0V
LB30-14	IN	PERMANENT POWER	12V	12V
LB30-15	IN	POWER GROUND	GROUND	GROUND

COLUMN SWITCHES

CODE	IN / OUT	CIRCUIT	ACTIVE	INACTIVE
LB55-9	OUT	DIMMER OVERRIDE SWITCH	LIGHTS ON: GROUND	LIGHTS OFF: 12V
LB55-12	IN	BATTERY POWER	12V	12V
LB55-13	OUT	DIMMER CONTROL	4.5-12V	0V
LB55-20	OUT	DIMMER OVERRIDE SWITCH	DIMMER ACTIVE: GROUND	DIMMER INACTIVE: 12V
LB55-23	IN	DIMMER OVERRIDE SWITCH	LIGHTS ON: GROUND	LIGHTS OFF: APPROX .04V

INSTRUMENT PACK

CODE	IN / OUT	CIRCUIT	ACTIVE	INACTIVE
LB52-1	IN	IGNITION SWITCHED POWER	KEY ON: 12V	KEY OFF: 0V
LB52-2	IN	LOGIC GROUND	GROUND	GROUND
LB52-7	IN	INSTRUMENT LIGHTING	DIMMER OUTPUT: 4.5-12V	0V
LB53-8	IN	DIMMER OVERRIDE	DIMMER ACTIVE: GROUND	DIMMER INACTIVE: 12V
LB53-11	IN	VACUUM FLOURESCENT LIGHTING	DIMMER OUTPUT: 4.5-12V	0V

LIGHTING LOGIC UNIT

CODE	IN / OUT	CIRCUIT	ACTIVE	INACTIVE
LB49-1	IN	FACIA LOCATE ILLUMINATION	DIMMER OUTPUT: 4.5-12V	0V
LB49-2	OUT	GEAR POSITION LIGHTING	KEY ON: 10V	KEY OFF: 0V
LB49-14	OUT	LIGHTS ON SIGNAL TO CPU	LIGHTS ON: GROUND	LIGHTS OFF: APPROX .07V
LB49-18	OUT	AUXILIARY SIDE LIGHT RELAY	GROUND	12V
LB49-20	IN	LOGIC GROUND	GROUND	GROUND
LB49-21	OUT	LIGHTS ON SIGNAL TO DIMMER CONTROL	LIGHTS ON: GROUND	LIGHTS OFF: APPROX .04V
LB49-22	IN	IGNITION POWER	12V	0V
LB49-24	IN	BATTERY POWER	12V	12V
LB51-4	IN	FACIA LOCATE ILLUMINATION	DIMMER OUTPUT: 4.5-12V	0V
LB51-7	IN	KEYBOARD LIGHTING SWITCH	BUTTON IN: GROUND	OPEN CIRCUIT
LB51-8	OUT	KEYBOARD LIGHTING	TIMED GROUND	12V

 BATTERY POWER

FIG 1

 IGNITION POWER

FIG 2

 IGNITION SWITCHED GROUND

FIG 3

 LOGIC GROUND

FIG 4

 FIG NUMBER REFERENCE

COMPONENTS

DESCRIPTION	LOCATION	ACCESS
COOLANT TEMPERATURE TRANSMITTER	THERMOSTAT HOUSING	ENGINE COMPARTMENT, LF
DIAGNOSTIC SOCKET	DRIVER FOOTWELL, 'A' POST	TRIM PANEL
FUEL LEVEL TRANSMITTER	FUEL TANK	TRUNK BULKHEAD TRIM PANEL
INSTRUMENT PACK	DRIVER SIDE DASH	DASH UNDER PANEL, LEFT
LINEAR GEAR POSITION SWITCHES	'J' GATE	CONSOLE SKI SLOPE PANEL
OIL PRESSURE TRANSMITTER	ENGINE BLOCK, LEFT	ENGINE COMPARTMENT, UNDER
SPEED SENSOR	DIFFERENTIAL SHAFT, LEFT OUTPUT	REAR SUBFRAME, UNDER
TRIP COMPUTER KEYBOARD	FACIA SWITCH PACK	DASH UNDER PANEL, LEFT

CONNECTORS

CODE	DESCRIPTION	LOCATION / INTERFACE
EN4	250 BLADE RECEPTACLE (WHITE)	THERMOSTAT HOUSING / WATER TEMPERATURE TRANSMITTER
EN5	250 BLADE RECEPTACLE (WHITE)	ENGINE, LEFT SIDE, LOW / OIL PRESSURE TRANSMITTER
FS1	15-WAY PMHD (BLACK)	BELOW INSTRUMENT PACK / TRIP COMPUTER KEYBOARD
LB35	15-WAY PMHD (GREEN)	CENTER CONSOLE / LINEAR GEAR SWITCH
LB52	15-WAY PMHD (BLUE)	LEFT DASH UNDER PANEL / INSTRUMENT PACK
LB53	24-WAY PMHD (YELLOW)	LEFT DASH UNDER PANEL / INSTRUMENT PACK
LB54	36-WAY PMHD (BLACK)	LEFT DASH UNDER PANEL / INSTRUMENT PACK
LB63	6-WAY PM4 (BLACK)	DRIVER FOOTWELL, 'A' POST / DIAGNOSTIC SOCKET
LI27	EYELET (BLACK)	ENGINE COMPARTMENT / IGNITION COIL
LS1	36-WAY PMHD (BLACK)	LEFT 'A' POST, UNDER DASH PANEL / LB HARNESS
LS30	3-WAY PM4 (BLUE)	UNDER AIR FILTER HOUSING / LOAD DUMP MODULE
RS7	9-WAY PM4 (YELLOW)	ENGINE COMPARTMENT, ABOVE IGNITION COIL / LI HARNESS
RS22	36-WAYPMHD (BLACK)	RIGHT 'A' POST, UNDER DASH PANEL / LB HARNESS
RS24	24-WAY PMHD (YELLOW)	RIGHT 'A' POST, UNDER DASH PANEL / LB HARNESS
RS34	250 BLADE RECEPTACLE	TRUNK BULKHEAD TRIM / FUEL TANK SENDER
RS58	4-WAY PMHD (BLACK)	TRUNK BULKHEAD TRIM / SPEED SENSOR
RS72	250 BLADE RECEPTACLE	TRUNK BULKHEAD TRIM / FUEL TANK SENDER

GROUND S

CODE	DESCRIPTION	LOCATION / INTERFACE
LBG75	EYELET	BULKHEAD, BEHIND LEFT BLOWER AIR DUCT / POWER GROUND

INPUTS / OUTPUTS

INSTRUMENT PACK

CODE	IN / OUT	CIRCUIT	ACTIVE	INACTIVE
LB52-2	IN	LOGIC GROUND	GROUND	GROUND
LB52-3	IN	RIGHT TURN SIGNAL INDICATOR	GROUND	5V
LB52-4	IN	LEFT TURN SIGNAL INDICATOR	GROUND	5V
LB52-5	NOT USED			
LB52-6	IN	HIGH BEAM INDICATOR	GROUND	5V
LB52-8	IN	TACHOMETER SIGNAL	PULSED SIGNAL	12V
LB52-9	IN	ROAD SPEED SENSOR GROUND	GROUND	GROUND
LB52-10	OUT	ROAD SPEED SENSOR OUTPUT	PULSED SIGNAL	5V
LB52-11	IN	ROAD SPEED SENSOR INPUT	PULSED SIGNAL	2.5V DC
LB52-12	IN	ROAD SPEED SENSOR INPUT	GROUND TO A C.V.	2.5V DC
LB53-1	IN	BATTERY POWER	12V	12V
LB53-2	OUT	DIAGNOSTIC SOCKET		
LB53-3	OUT	DIAGNOSTIC SOCKET		
LB53-4	IN	OIL PRESSURE TRANSMITTER	MAX. READING: GROUND	MIN. READING: 5V
LB53-5	IN	COOLANT TEMPERATURE	MAX. READING: GROUND	MIN. READING: 5V
LB53-6	IN	FUEL LEVEL TRANSMITTER	MAX. READING: GROUND	MIN. READING: 5V
LB53-7	IN	BATTERY CHARGE WARNING	RED SQUARE LIT: 1.5V	RED SQUARE OUT: 13.5V
LB53-9	IN	FUEL FLOW AND FAIL CODE	PULSED SIGNAL	0V
LB53-12	IN	IGNITION SWITCHED POWER	12V	0V
LB53-13	IN	GEAR POSITION INDICATOR "2"	GROUND	12V
LB53-14	IN	GEAR POSITION INDICATOR "3"	GROUND	12V
LB53-15	IN	GEAR POSITION INDICATOR "D"	GROUND	12V
LB53-16	IN	GEAR POSITION INDICATOR "N"	GROUND	12V
LB53-17	IN	GEAR POSITION INDICATOR "R"	GROUND	12V
LB53-18	IN	GEAR POSITION INDICATOR "P"	GROUND	12V
LB54-36				

SPEED SENSOR

CODE	IN / OUT	CIRCUIT	ACTIVE	INACTIVE
RS58-1	IN	POWER GROUND	GROUND	GROUND
RS58-3	OUT	ROAD SPEED SIGNAL	GROUND TO A C.V. SIGNAL	2.5V DC
RS58-4	OUT	ROAD SPEED SIGNAL	A C.V. SIGNAL	2.5V DC



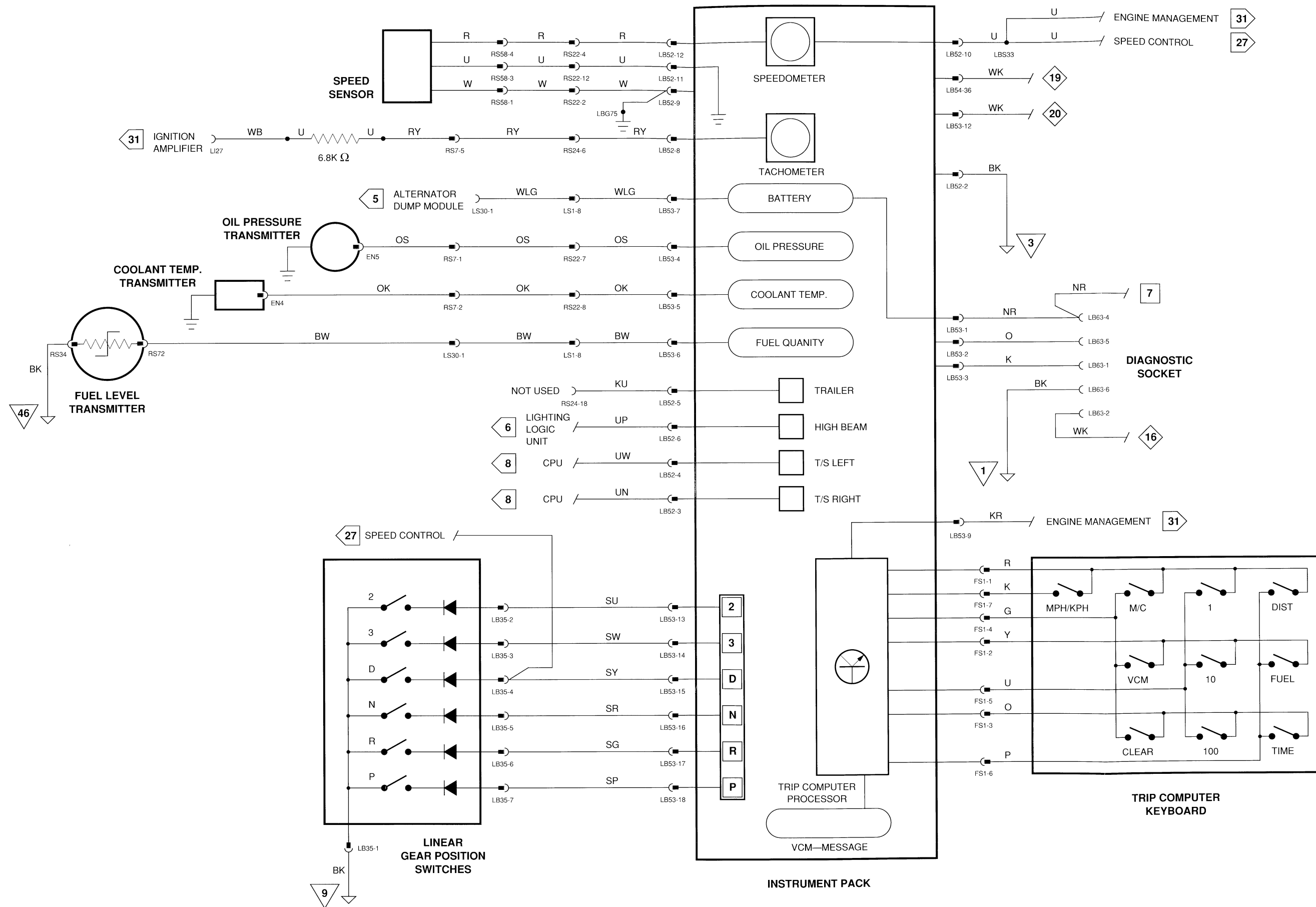


FIG 13

INSTRUMENTATION: HAZARD AND FAULT DISPLAY [VCM]

COMPONENTS

DESCRIPTION

BRAKE FLUID LEVEL SENSOR
CENTRAL MICROPROCESSOR
DOOR SWITCH
INSTRUMENT PACK
LOW COOLANT SENSOR
PARK BRAKE SWITCH
POWER HYDRAULIC FLUID LEVEL
TRUNK SWITCH
WASHER FLUID LEVEL SENSOR

LOCATION

MASTER CYLINDER RESERVOIR
BEHIND GLOVE BOX
DOOR LATCH
DRIVER SIDE DASH
RADIATOR HEADER TANK
PARK BRAKE LEVER
HSMO RESERVOIR
TRUNK LID LATCH
WASHER FLUID BOTTLE

ACCESS

ENGINE COMPARTMENT, LEFT
UNDER DASH PANEL, RIGHT
DOOR TRIM LOWER PANEL
DASH UNDER PANEL, LEFT
ENGINE COMPARTMENT, LEFT
UNDER DRIVER SEAT
ENGINE COMPARTMENT, RIGHT FRONT
TRUNK LID REAR PANEL
RIGHT VALANCE UNDER PANEL

CONNECTORS

CODE

DESCRIPTION

LOCATION / INTERFACE

DD9	6-WAY PM4 (BLACK)	DOOR, INNER / DOOR LATCH SWITCH
FA1	3-WAY PLUG (BLACK)	FRONT BRAKE CALIPER / BRAKE PAD
LA1	3-WAY PLUG (BLACK)	REAR BRAKE CALIPER / BRAKE PAD
LB14	36-WAY PMHD (YELLOW)	RIGHT DASH UNDER PANEL / CPU
LB31	2-WAY PMHD (YELLOW)	CONSOLE LEFT CARPET / PARK BRAKE SWITCH
LB52	15-WAY PMHD (BLUE)	LEFT DASH UNDER PANEL / INSTRUMENT PACK
LB53	24-WAY PMHD (YELLOW)	LEFT DASH UNDER PANEL / INSTRUMENT PACK
LB54	36-WAY PMHD (BLACK)	LEFT DASH UNDER PANEL / INSTRUMENT PACK
LB61	36-WAY PMHD (BLACK)	INSIDE LEFT 'A' POST / DD HARNESS
LS1	36-WAY PMHD (BLACK)	LEFT 'A' POST, UNDER DASH PANEL / LB HARNESS
LS2	15-WAY PMHD (YELLOW)	LEFT 'A' POST, UNDER DASH PANEL / LB HARNESS
LS8	6-WAY PMHD (YELLOW)	LEFT 'B/C' POST LINER / RD HARNESS
LS13	3-WAY ECONOSEAL (BLACK)	TRUNK BULKHEAD TRIM PANEL / LA HARNESS
LS22	3-WAY PM4 (YELLOW)	ENGINE COMPARTMENT / BRAKE FLUID SENSOR
LS24	3-WAY PM4 (BLACK)	ENGINE COMPARTMENT / COOLANT LEVEL SENSOR
LS25	3-WAY PM4 (BLACK)	ENGINE COMPARTMENT, LF INNER FENDER / FA HARNESS
PD2	6-WAY PM4 (BLACK)	DOOR, INNER / DOOR LATCH SWITCH
RA2	3-WAY PLUG (BLACK)	REAR BRAKE CALIPER / BRAKE PAD
RD2	6-WAY PM4 (BLUE)	DOOR, INNER / DOOR LATCH SWITCH
RS7	9-WAY PM4 (YELLOW)	ENGINE COMPARTMENT, ABOVE IGNITION COIL / LI HARNESS
RS11	2-WAY PM4 (GREEN)	BEHIND RIGHT FRONT VALANCE / WASHER FLUID LEVEL SENSOR
RS18	2-WAY PM4 (BLACK)	HSMO RESERVOIR / FLUID LEVEL SENSOR
RS20	2-WAY PM4 (BLACK)	ENGINE COMPARTMENT, RF INNER FENDER / FA HARNESS
RS22	36-WAY PMHD (BLACK)	RIGHT 'A' POST, UNDER DASH PANEL / LB HARNESS
RS24	24-WAY PMHD (YELLOW)	RIGHT 'A' POST, UNDER DASH PANEL / LB HARNESS
RS32	6-WAY PMHD (YELLOW)	RIGHT LOWER 'B/C' POST TRIM / RD HARNESS
RS35	8-WAY PM4 (BLACK)	TRUNK BULKHEAD TRIM / RA HARNESS
RS59	2-WAY ITT SOCKET (BLACK)	TRUNK LID INNER PANEL / TRUNK WARNING SWITCH

INPUTS / OUTPUTS

CENTRAL MICROPROCESSOR

CODE	IN / OUT	CIRCUIT	ACTIVE	INACTIVE
LB14-2	OUT	TURN SIGNAL BULB FAIL	12V	GROUND
LB14-3	OUT	VCM SEAT BELT WARNING	GROUND	12V

INSTRUMENT PACK

CODE	IN / OUT	CIRCUIT	ACTIVE	INACTIVE
LB52-3	IN	RIGHT TURN SIGNAL INDICATOR	GROUND	5V
LB53-9	IN	FUEL FLOW AND FAIL CODE	PULSED SIGNAL	0V
LB53-10	IN	CHECK ENGINE FAIL SIGNAL	GROUND	12V
LB53-12	IN	IGNITION SWITCHED POWER	12V	0V
LB53-19	IN	FUSE FAIL 3 INPUT	FAIL: GROUND	PASS: 8V
LB53-22	IN	ANTI-LOCK FAILURE	GROUND	12V
LB54-1	IN	BRAKE BOOST PRESSURE SWITCH	12V	GROUND
LB54-2	OUT	BRAKE PAD FEED	12V	12V
LB54-3	IN	BRAKE PAD FAIL SENSOR	FAIL: 0V	PASS: 12V
LB54-4	IN	POWER FLUID LEVEL SENSOR		
LB54-5	IN	FUSE FAIL 1 INPUT	FAIL: GROUND	PASS: 8V
LB54-6	IN	FUSE FAIL 2 INPUT	FAIL: GROUND	PASS: 8V
LB54-8	IN	TURN SIGNAL BULB FAIL	12V	GROUND
LB54-9	IN	PARK BRAKE SWITCH	BRAKE ON: 12V	BRAKE OFF: GROUND
LB54-14	IN	DRIVER DOOR OPEN	GROUND	12V
LB54-15	IN	PASSENGER DOOR OPEN	GROUND	12V
LB54-16	IN	LEFT REAR DOOR OPEN	GROUND	12V
LB54-17	IN	RIGHT REAR DOOR OPEN	GROUND	12V
LB54-18	IN	TRUNK OPEN	GROUND	12V
LB54-21	IN	COOLANT LEVEL SENSOR	12V	GROUND
LB54-22	IN	WASHER FLUID LEVEL SENSOR	12V	GROUND
LB54-23	IN	BRAKE FLUID LEVEL LOW	12V	GROUND
LB54-24	NOT USED			
LB54-32	IN	GENERAL BULB FAILURE	FAIL: GROUND	PASS: 12V



BATTERY POWER

FIG 1



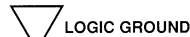
IGNITION POWER

FIG 2



IGNITION SWITCHED GROUND

FIG 3

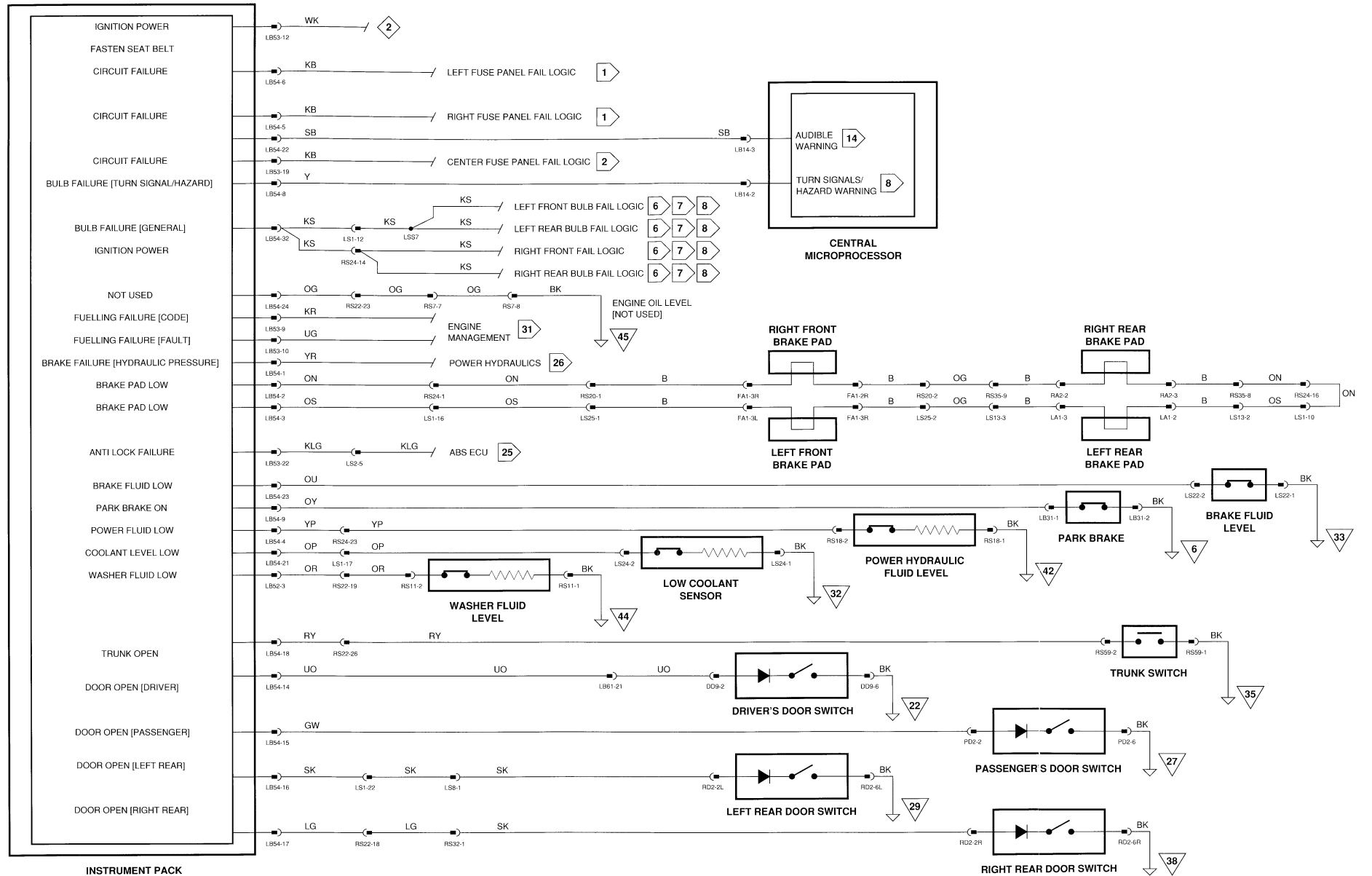


LOGIC GROUND

FIG 4



FIG NUMBER REFERENCE



COMPONENTS

DESCRIPTION

AUDIBLE WARNING MODULE
CENTRAL MICROPROCESSOR
COLUMN SWITCHES
DRIVER SEAT SWITCH
DRIVER SEAT BELT SWITCH
LINEAR GEAR POSITION SWITCHES

LOCATION

RIGHT COMPONENT PANEL
BEHIND GLOVE BOX
STEERING COLUMN
DRIVER SEAT CUSHION
SEAT BELT LATCH
'J' GATE

ACCESS

RIGHT UNDER DASH PANEL
UNDER DASH PANEL, RIGHT
STEERING COLUMN COVER
SEAT CUSHION
SEAT CUSHION
CONSOLE SKI SLOPE PANEL

CONNECTORS

CODE

DESCRIPTION

LOCATION / INTERFACE

IL1	2-WAY ITT SOCKET	UNDER FRONT SEAT CUSHION / SEAT SENSOR SWITCH
LB12	3-WAY PM4 (BLACK)	RIGHT DASH UNDER PANEL / CPU
LB13	36-WAY PMHD (BLACK)	RIGHT DASH UNDER PANEL / CPU
LB14	36-WAY PMHD (YELLOW)	RIGHT DASH UNDER PANEL / CPU
LB35	15-WAY PMHD (GREEN)	CENTER CONSOLE / LINEAR GEAR SWITCH
LB46	2-WAY PMHD (BLACK)	UNDER DRIVER SEAT / SEAT BELT SWITCH
LB47	4-WAY ITT SOCKET (BLACK)	UNDER DRIVER SEAT / HS HARNESS
LB55	24-WAY PMHD (BLACK)	LEFT DASH UNDER PANEL / COLUMN SWITCHES
LB58	15-WAY PMHD (BLACK)	RIGHT DASH UNDER PANEL / AUDIBLE WARNING MODULE
LB90	EYELET	PASSENGER FOOTWELL, 'A' POST / CPU GROUND
SC4	6-WAY PMHD (BROWN)	STEERING COLUMN COVER / SPEAKER, DI CANCEL SWITCH
SC6	6-WAY PMHD (VIOLET)	STEERING COLUMN COVER / IGNITION KEY SWITCH

GROUNDINGS

CODE

DESCRIPTION

LOCATION / INTERFACE

LBG75	EYELET	BULKHEAD, BEHIND LEFT BLOWER AIR DUCT / POWER GROUND
LBG88	EYELET	PASSENGER FOOTWELL, RIGHT 'A' POST / POWER GROUND

INPUTS / OUTPUTS

AUDIBLE WARNING MODULE

CODE	IN / OUT	CIRCUIT	ACTIVE	INACTIVE
LB58-1	IN	TURN SIGNAL AUDIBLE WARNING	STAGGERED PULSE TO GROUND: 0V	5V
LB58-2	IN	SEAT BELT / GEAR POSITION AUDIBLE WARNING	TIMED PULSE TO GROUND: 0V	5V
LB58-3	IN	KEY INSERT AUDIBLE WARNING	GROUND: 0V	5V
LB58-4	IN	POWER GROUND	GROUND	GROUND
LB58-5	OUT	SPEAKER DRIVE	SIGNAL VOLTAGE	0V
LB58-6	OUT	SPEAKER DRIVE	GROUND	GROUND
LB58-7	IN	BATTERY POWER	12V	12V
LB58-15	IN	LOGIC GROUND	GROUND	GROUND

CENTRAL MICROPROCESSOR

CODE	IN / OUT	CIRCUIT	ACTIVE	INACTIVE
LB12-2	IN	BATTERY POWER	12V	12V
LB13-1	IN	IGNITION POWER	12V	0V
LB13-19	IN	IGNITION KEY WARNING	KEY IN: GROUND	KEY OUT: 1V
LB13-22	IN	SEAT BELT WARNING SWITCHES	FAIL: GROUND	PASS: OPEN CIRCUIT
LB13-23	IN	SEAT BELT WARNING SWITCHES	FAIL: GROUND	PASS: OPEN CIRCUIT
LB13-29	IN	AUDIBLE WARNING 'NOT IN PARK'	FAIL: OPEN CIRCUIT	PASS: GROUND
LB13-36	IN	LOGIC GROUND	GROUND	GROUND
LB14-14	OUT	TURN SIGNAL AUDIBLE WARNING	STAGGERED PULSE TO GROUND	5V
LB14-15	OUT	SEAT BELT / GEAR POSITION AUDIBLE WARNING	TIMED / STAGGERED PULSE TO GROUND	5V
LB14-16	OUT	KEY INSERT AUDIBLE WARNING	GROUND: 0V	5V
LB90	IN	LOGIC GROUND	GROUND	GROUND

COLUMN SWITCHES

CODE	IN / OUT	CIRCUIT	ACTIVE	INACTIVE
LB55-18				
LB55-19	OUT	KEY INSERT SWITCH	KEY IN: GROUND	KEY OUT: 1V
LB55-22	IN	SPEAKER DRIVE-AUDIBLE WARNING	GROUND	GROUND



FIG 1



FIG 2

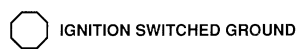


FIG 3

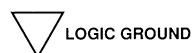
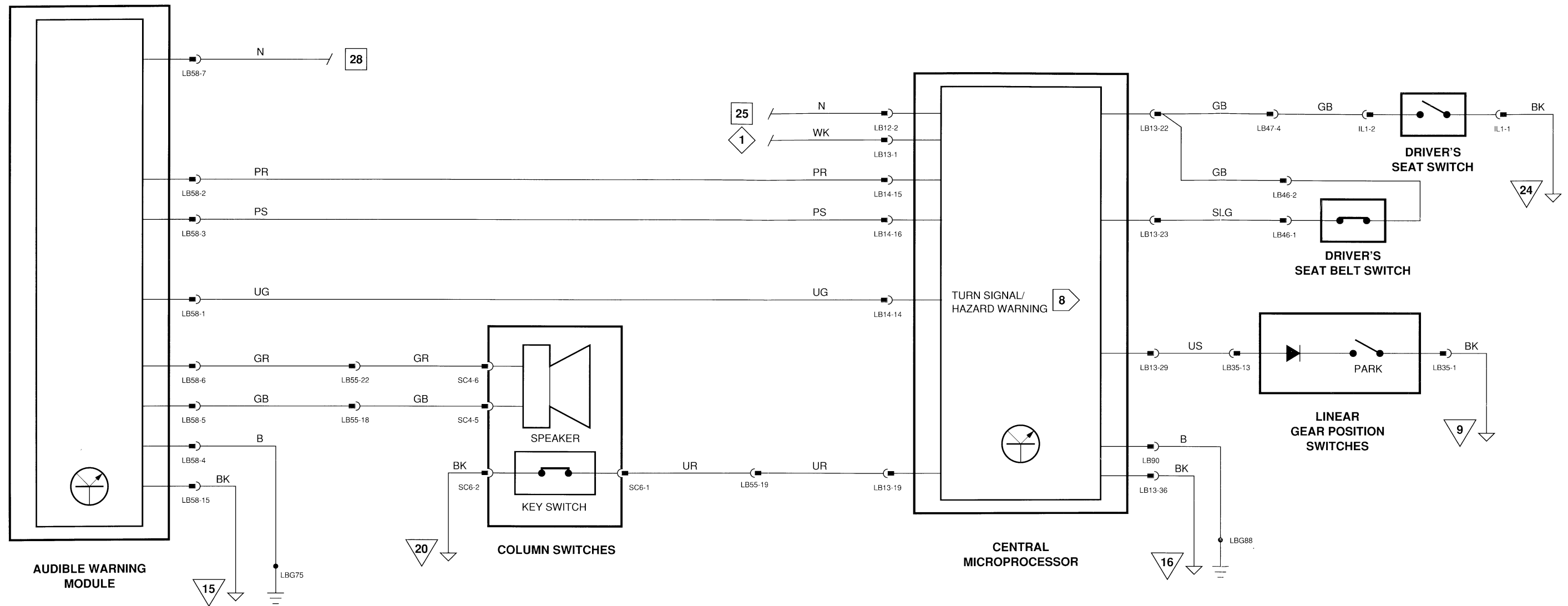
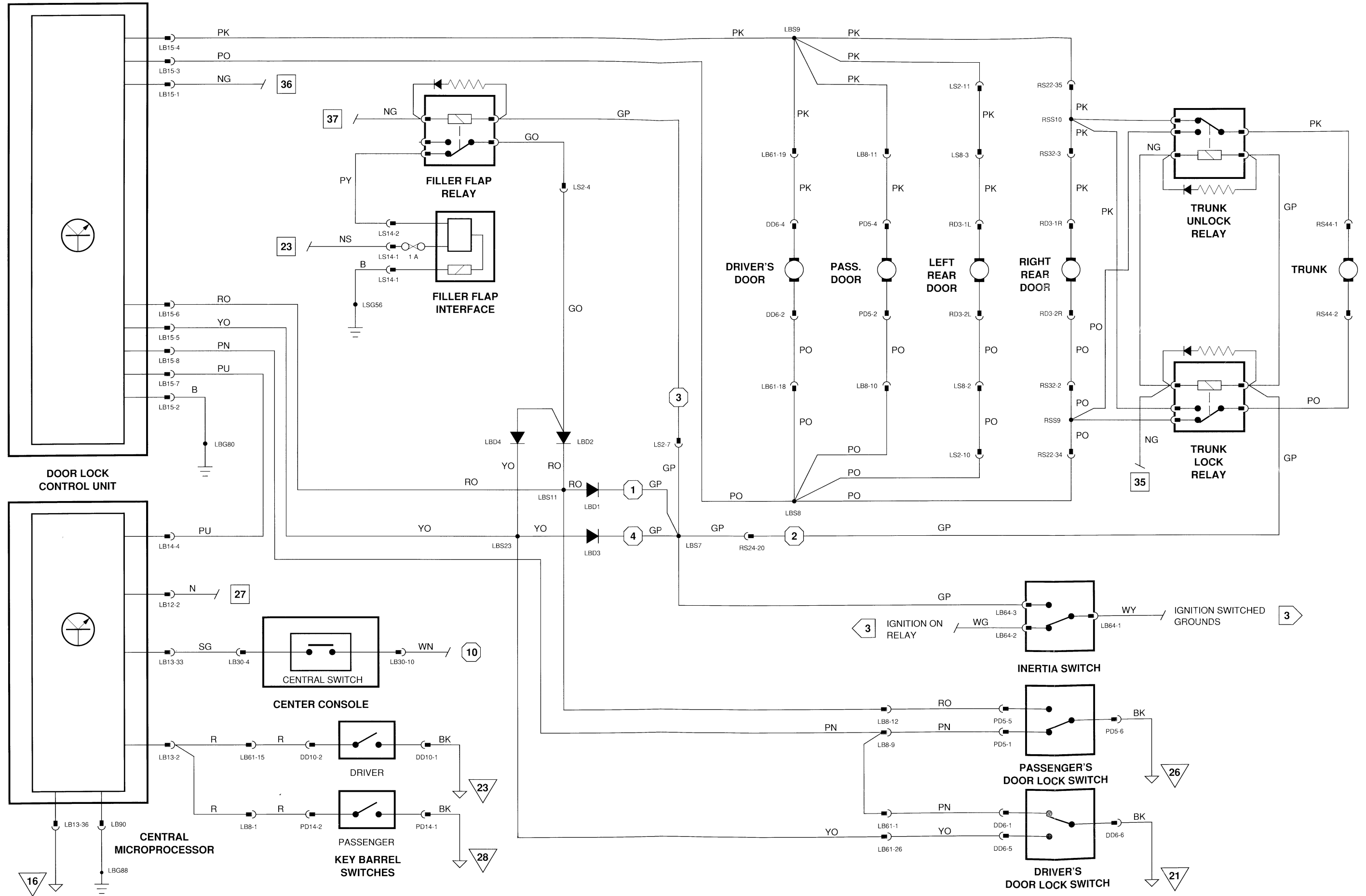


FIG 4



FIG NUMBER REFERENCE





COMPONENTS

DESCRIPTION	LOCATION	ACCESS
CENTER CONSOLE	CENTER CONSOLE	CONSOLE SKI SLOPE PANEL
CENTRAL MICROPROCESSOR	BEHIND GLOVE BOX	UNDER DASH PANEL, RIGHT
DOOR SWITCH PANEL	DOOR ARM REST	DOOR LOWER TRIM PANEL
KEY BARREL SWITCH	FRONT DOOR HANDLE BASE PLATE	DOOR LOWER TRIM PANEL
SUN ROOF SWITCH PANEL	HEAD LINER, CENTER FRONT	ROOF CONSOLE PANEL
WINDOW LIFT MOTOR	INNER DOOR	DOOR LOWER TRIM PANEL

CONNECTORS

CODE	DESCRIPTION	LOCATION / INTERFACE
DD1	6-WAY PM4 (YELLOW)	DOOR TRIM, LOWER / DOOR SWITCH PANEL
DD2	24-WAY PMHD (YELLOW)	DOOR TRIM, LOWER / DOOR SWITCH PANEL
DD5	3-WAY PM4 (BLACK)	DOOR, INNER / WINDOW LIFT MOTOR
DD10	2-WAY TTT SOCKET (BLACK)	DOOR, INNER / DOOR KEY SWITCH
LB5	3-WAY PM4 (BLACK)	ROOF CONSOLE PANEL / SUNROOF MOTOR
LB7	6-WAY PM4 (BLACK)	INSIDE RIGHT 'A' POST / PD HARNESS
LB8	24-WAY PMHD (BLACK)	INSIDE RIGHT 'A' POST / PD HARNESS
LB12	3-WAY PM4 (BLACK)	RIGHT DASH UNDER PANEL / CPU
LB13	36-WAY PMHD (BLACK)	RIGHT DASH UNDER PANEL / CPU
LB14	36-WAY PMHD (YELLOW)	RIGHT DASH UNDER PANEL / CPU
LB30	15-WAY PMHD (BLUE)	CENTER CONSOLE / CENTER CONSOLE SWITCH PANEL
LB61	36-WAY PMHD (BLACK)	INSIDE LEFT 'A' POST / DD HARNESS
LB62	6-WAY PM4 (BLACK)	INSIDE LEFT 'A' POST / DD HARNESS
LB90	EYELET	PASSENGER FOOTWELL, 'A' POST / CPU GROUND
LS1	36-WAY PMHD (BLACK)	LEFT 'A' POST, UNDER DASH PANEL / LB HARNESS
LS2	15-WAY PMHD (YELLOW)	LEFT 'A' POST, UNDER DASH PANEL / LB HARNESS
LS3	9-WAY PM4 (BLACK)	LEFT 'A' POST, UNDER DASH PANEL / LB HARNESS
LS6	6-WAY PMHD (BLACK)	LEFT 'B/C' POST LINER / RD HARNESS
LS7	3-WAY ECONOSEAL (BLACK)	LEFT 'B/C' POST LINER / RD HARNESS
PD6	3-WAY PM4 (BLACK)	DOOR, INNER / WINDOW LIFT MOTOR
PD7	6-WAY PM4 (YELLOW)	DOOR TRIM, LOWER / DOOR SWITCH PANEL
PD8	6-WAY PMHD (YELLOW)	DOOR TRIM, LOWER / DOOR SWITCH PANEL
PD14	2-WAY TTT SOCKET (BLACK)	DOOR, INNER / KEY SWITCH
RD4	3-WAY PM4 (BLACK)	DOOR, INNER / WINDOW LIFT MOTOR
RD5	6-WAY PMHD (YELLOW)	DOOR TRIM, UPPER / DOOR SWITCH PANEL
RD6	6-WAY PM4 (YELLOW)	DOOR TRIM, UPPER / DOOR SWITCH PANEL
RS22	36-WAY PMHD (BLACK)	RIGHT 'A' POST, UNDER DASH PANEL / LB HARNESS
RS30	3-WAY ECONOSEAL (BLACK)	RIGHT LOWER 'B/C' POST TRIM / RD HARNESS
RS31	6-WAY PMHD (BLACK)	RIGHT LOWER 'B/C' POST TRIM / RD HARNESS
RS87	6-WAY PM4 (BLACK)	RIGHT DASH UNDER PANEL, 'A' POST, HIGH / LB HARNESS
SR1	6-WAY PM4 (YELLOW)	ROOF, CENTER FRONT / MAP LIGHT PANEL

GROUNDINGS

CODE	DESCRIPTION	LOCATION / INTERFACE
LBG72	EYELET	DRIVER FOOTWELL, LEFT 'A' POST / POWER GROUND
LBG80	EYELET	PASSENGER FOOTWELL, 'A' POST / POWER GROUND
LBG88	EYELET	RIGHT BULKHEAD, BEHIND DASH / POWER GROUND

INPUTS / OUTPUTS

CENTRAL MICROPROCESSOR

CODE	IN / OUT	CIRCUIT	ACTIVE	INACTIVE
LB12.2	IN	BATTERY POWER	12V	12V
LB13.2	IN	DOOR KEY SWITCHES	UNLOCK: GROUND	OPEN CIRCUIT
LB13.33	IN	CENTRAL LOCK SWITCH	GROUND	OPEN CIRCUIT
LB13.36	IN	LOGIC GROUND	GROUND	GROUND
LB14.5	OUT	LR WINDOW CLOSE	GROUND: 0V	12V
LB14.11	OUT	SUNROOF CLOSE	GROUND: 0V	12V
LB14.25	OUT	RR WINDOW CLOSE	GROUND: 0V	12V
LB14.27	OUT	DRIVER WINDOW CLOSE	GROUND: 0V	12V
LB14.28	OUT	PASSENGER WINDOW CLOSE	GROUND: 0V	12V
LB90	IN	POWER GROUND	GROUND	GROUND



BATTERY POWER

FIG 1



IGNITION POWER

FIG 2



IGNITION SWITCHED GROUND

FIG 3

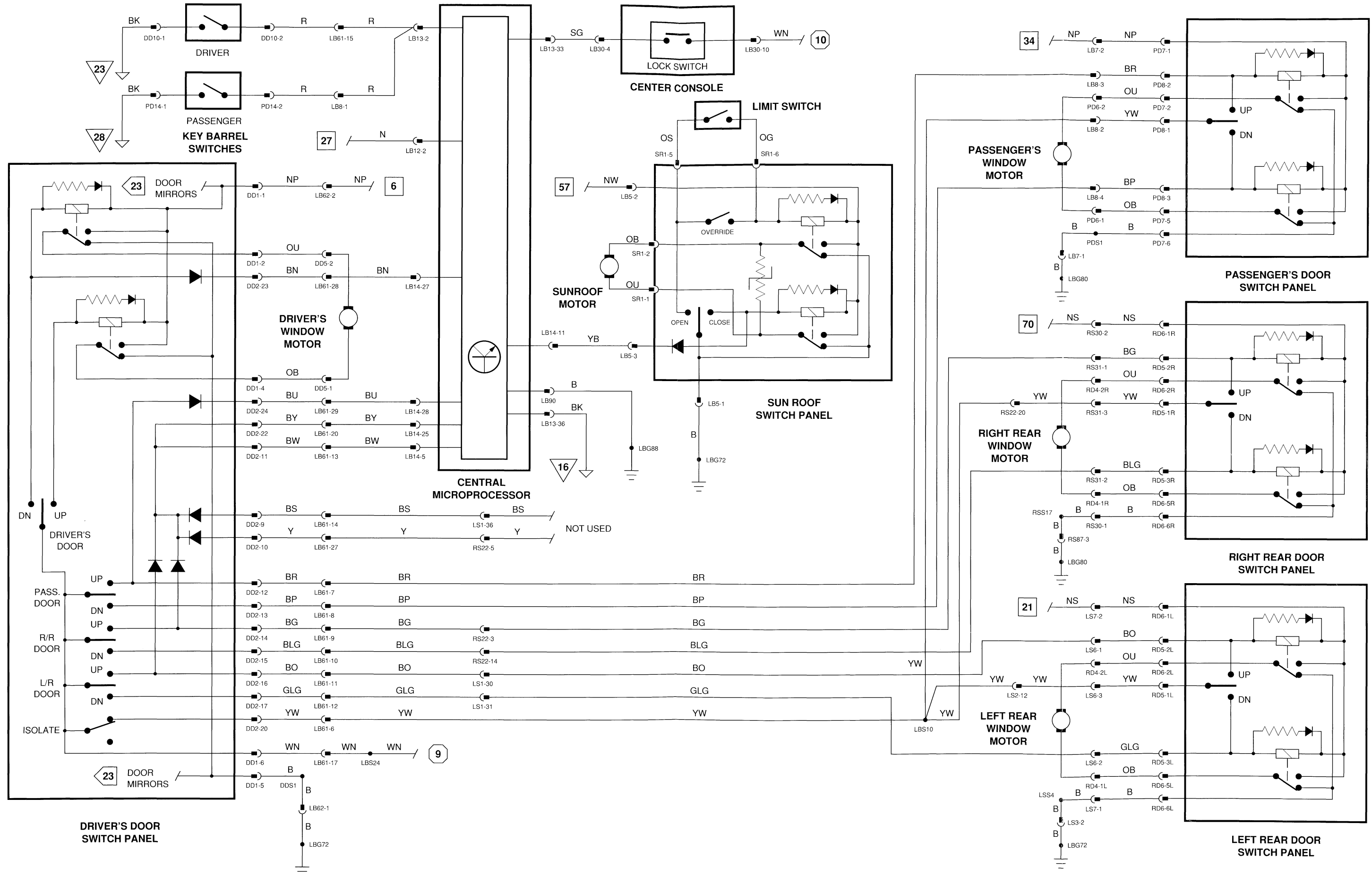


LOGIC GROUND

FIG 4



FIG NUMBER REFERENCE



COMPONENTS

DESCRIPTION	LOCATION	ACCESS
COLUMN SWITCHES	STEERING COLUMN	STEERING COLUMN COVER
DIODE—LSD5	FRONT VALANCE, LEFT SIDE	FRONT BUMPER
HORNS	BEHIND FRONT VALANCE, LOW	FRONT VALANCE
RELAY—HORN (LS34)	LEFT RADIATOR SUPPORT	ENGINE COMPARTMENT

CONNECTORS

CODE	DESCRIPTION	LOCATION / INTERFACE
LB38	4-WAY ECONOSEAL (WHITE)	CENTER CONSOLE / FRONT CIGAR LIGHTER
LB43	4-WAY ECONOSEAL (WHITE)	CENTER CONSOLE / REAR CIGAR LIGHTER
LB55	24-WAY PMHD (BLACK)	LEFT DASH UNDER PANEL / COLUMN SWITCHES
LS2	15-WAY PMHD (YELLOW)	LEFT 'A' POST, UNDER DASH PANEL / LB HARNESS
LS34	RELAY BASE (BLACK)	LEFT RADIATOR SUPPORT / HORN RELAY
LS35	250 BLADE RECEPTACLE	BEHIND FRONT VALANCE / HORN
LS36	250 BLADE RECEPTACLE	BEHIND FRONT VALANCE / HORN
LS41	250 BLADE RECEPTACLE	BEHIND FRONT VALANCE / HORN
LS60	250 BLADE RECEPTACLE	BEHIND FRONT VALANCE / HORN
LS62	3-WAY PM4 (PURPLE)	BEHIND FRONT VALANCE / HORN
SC3	6-WAY PMHD (BLUE)	STEERING COLUMN COVER / DIRECTIONAL SWITCH

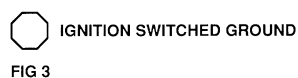
GROUND

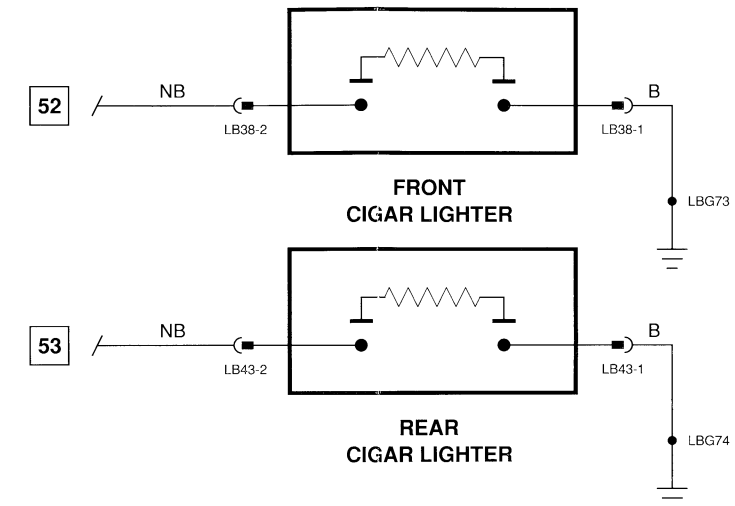
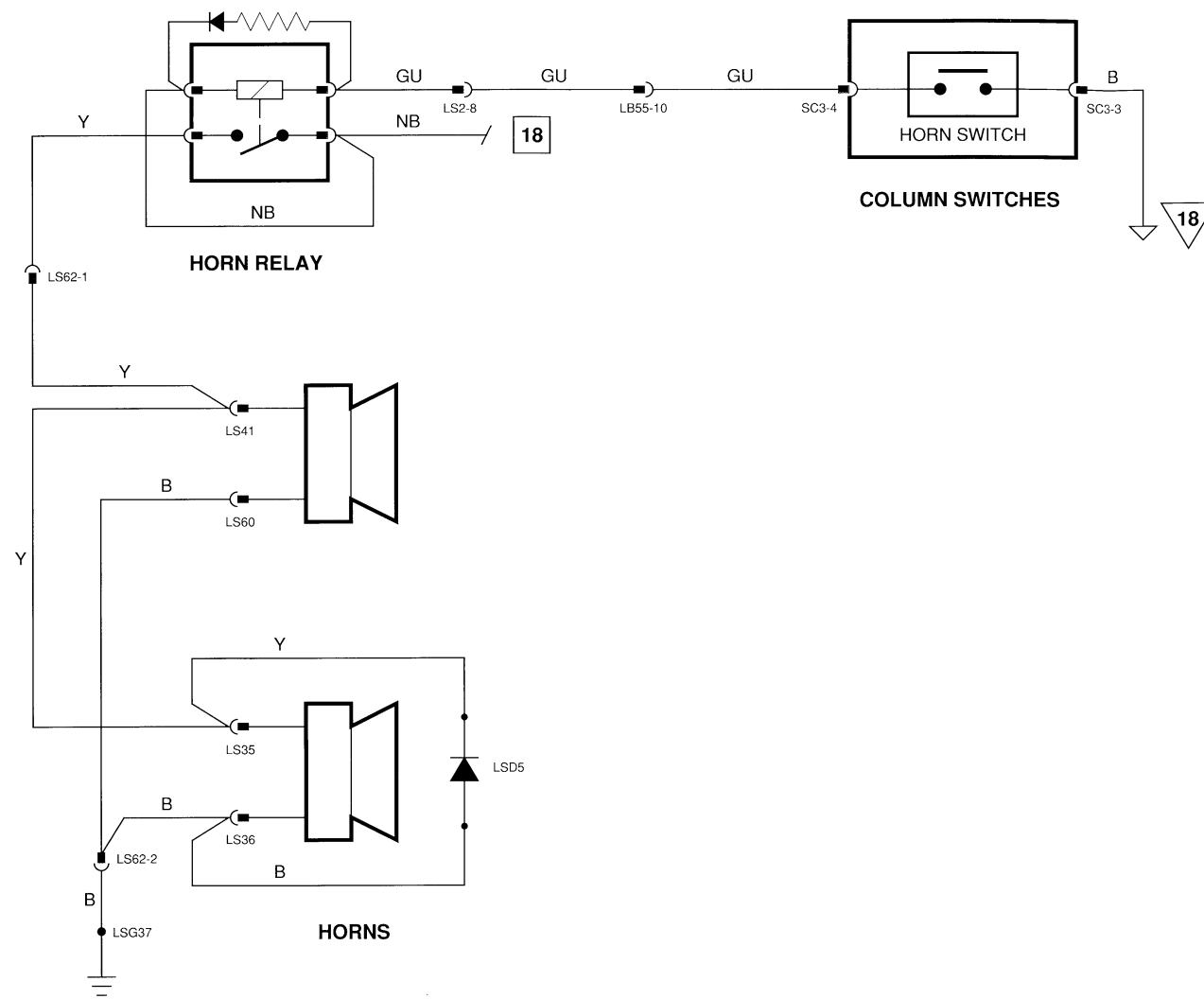
CODE	DESCRIPTION	LOCATION / INTERFACE
LBG73	EYELET	CENTER CONSOLE ASHTRAY / POWER GROUND
LBG74	EYELET	CENTER CONSOLE ASHTRAY / POWER GROUND
LSG37	EYELET	ENGINE COMPARTMENT, LEFT FRONT / POWER GROUND

INPUTS / OUTPUTS

COLUMN SWITCHES

CODE	IN / OUT	CIRCUIT	ACTIVE GROUND	INACTIVE
LB55-10	OUT	HORN SWITCH		12V





COMPONENTS

DESCRIPTION

RELAY—DRIVER'S SEAT (LB95)
 RELAY—PASSENGER'S SEAT (LB96)
 SEAT SWITCHES—DRIVER'S
 SEAT SWITCHES—PASSENGER'S

LOCATION

CENTER CONSOLE SUPPORT STRUT, LEFT
 CENTER CONSOLE SUPPORT STRUT, RIGHT
 CENTER CONSOLE, LS
 CENTER CONSOLE, RS

ACCESS

CONSOLE SWITCH PANEL
 CONSOLE SWITCH PANEL
 CONSOLE SKI SLOPE PANEL
 CONSOLE SKI SLOPE PANEL

CONNECTORS

CODE

LB95
 LB96
 LB100
 LB101
 SM2
 SM3
 SM4
 SM5
 SM7
 SM8
 SS1
 SS2
 SS3
 SS4

DESCRIPTION

RELAY BASE (WHITE)
 RELAY BASE (BLACK)
 3-WAY ECONOSEAL (RED)
 3-WAY ECONOSEAL (RED)
 2-WAY ECONOSEAL (BLACK)
 POSITIVE LOCK TERMINAL (RED)
 POSITIVE LOCK TERMINAL
 2-WAY ECONOSEAL (BLACK)
 POSITIVE LOCK TERMINAL
 POSITIVE LOCK TERMINAL
 9-WAY PM4 (VIOLET)
 9-WAY PM4 (VIOLET)
 9-WAY PM4 (VIOLET)
 9-WAY PM4 (VIOLET)

LOCATION / INTERFACE

CENTER CONSOLE, FRONT, SWITCH PANEL / LEFT SEAT RELAY
 CENTER CONSOLE, FRONT, SWITCH PANEL / RIGHT SEAT RELAY
 CONSOLE SKI SLOPE / PASSENGER SEAT SWITCHES
 CONSOLE SKI SLOPE / DRIVER SEAT SWITCHES
 UNDER SEAT CUSHION / RECLINE MOTOR
 UNDER SEAT CUSHION / FRONT RAISE/LOWER
 UNDER SEAT CUSHION / FRONT RAISE/LOWER
 UNDER SEAT CUSHION / FORE/AFT
 UNDER SEAT CUSHION / REAR RAISE/LOWER
 UNDER SEAT CUSHION / REAR RAISE/LOWER
 UNDER SKI SLOPE / PASSENGER SEAT SWITCH
 UNDER SKI SLOPE / DRIVER SEAT SWITCHES
 UNDER SEAT CUSHION, RIGHT / SM HARNESS
 UNDER SEAT CUSHION, LEFT / SM HARNESS

GROUNDINGS

CODE

LBG73
 LBG74

DESCRIPTION

EYELET
 EYELET

LOCATION / INTERFACE

CENTER CONSOLE ASHTRAY / POWER GROUND
 CENTER CONSOLE ASHTRAY / POWER GROUND



BATTERY POWER

FIG 1



IGNITION POWER

FIG 2



IGNITION SWITCHED GROUND

FIG 3



LOGIC GROUND

FIG 4



FIG NUMBER REFERENCE

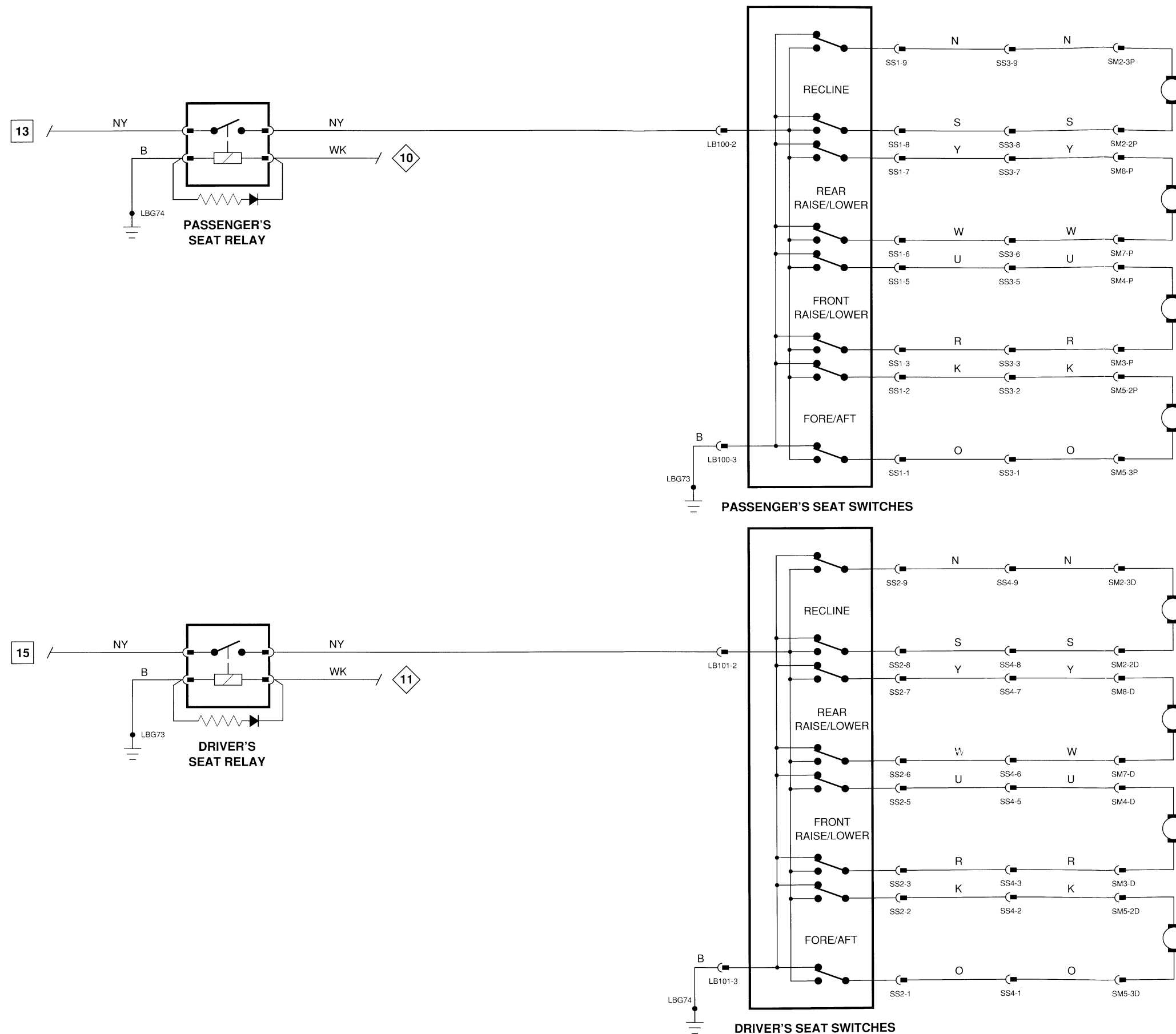


FIG 19

POWERED SEATS (VIN 542406-556850)

COMPONENTS

DESCRIPTION

DIODE—LBD12
DIODE—LBD13
DIODE—LBD14
RELAY—DRIVER'S SEAT (LB95)
RELAY—PASSENGER'S SEAT (LB96)
RELAY—SEAT ADJUST (LB109)
SEAT SWITCHES—DRIVER'S
SEAT SWITCHES—PASSENGER'S

LOCATION

CENTER CONSOLE, BELOW RADIO
CENTER CONSOLE, BELOW RADIO
FRONT BULKHEAD, TOP, RIGHT OF STEERING COLUMN
CENTER CONSOLE SUPPORT STRUT, LEFT
CENTER CONSOLE SUPPORT STRUT, RIGHT
COMPONENT PANEL
CENTER CONSOLE, LS
CENTER CONSOLE, RS

ACCESS

RADIO AND CONSOLE SWITCH PANEL
RADIO AND CONSOLE SWITCH PANEL
DASH BOARD
CONSOLE SWITCH PANEL
CONSOLE SWITCH PANEL
RIGHT DASH UNDER PANEL
CONSOLE SKI SLOPE PANEL
CONSOLE SKI SLOPE PANEL

CONNECTORS

CODE

LB95
LB96
LB100
LB101
LB109
SM2
SM3
SM4
SM5
SM7
SM8
SS1
SS2
SS3
SS4

DESCRIPTION

RELAY BASE (WHITE)
RELAY BASE (BLACK)
3-WAY ECONOSEAL (RED)
3-WAY ECONOSEAL (RED)
RELAT BASE (RED)
2-WAY ECONOSEAL (BLACK)
POSITIVE LOCK TERMINAL (RED)
POSITIVE LOCK TERMINAL
2-WAY ECONOSEAL (BLACK)
POSITIVE LOCK TERMINAL
POSITIVE LOCK TERMINAL
9-WAY PM4 (VIOLET)
9-WAY PM4 (VIOLET)
9-WAY PM4 (VIOLET)
9-WAY PM4 (VIOLET)

LOCATION / INTERFACE

CENTER CONSOLE, FRONT, SWITCH PANEL / LEFT SEAT RELAY
CENTER CONSOLE, FRONT, SWITCH PANEL / RIGHT SEAT RELAY
CONSOLE SKI SLOPE / PASSENGER SEAT SWITCH
CONSOLE SKI SLOPE / DRIVER SEAT SWITCHES
RIGHT DASH UNDER PANEL / SEAT ADJUST RELAY
UNDER SEAT CUSHION / RECLINE MOTOR
UNDER SEAT CUSHION / FRONT RAISE/LOWER
UNDER SEAT CUSHION / FRONT RAISE/LOWER
UNDER SEAT CUSHION / FORE/AFT
UNDER SEAT CUSHION / REAR RAISE/LOWER
UNDER SEAT CUSHION / REAR RAISE/LOWER
UNDER SKI SLOPE / PASSENGER SEAT SWITCH
UNDER SKI SLOPE / DRIVER SEAT SWITCHES
UNDER SEAT CUSHION, RIGHT / SM HARNESS
UNDER SEAT CUSHION, LEFT / SM HARNESS

GROUNDS

CODE

LBG73
LBG74

DESCRIPTION

EYELET
EYELET

LOCATION / INTERFACE

CENTER CONSOLE ASHTRAY / POWER GROUND
CENTER CONSOLE ASHTRAY / POWER GROUND



FIG 1



FIG 2

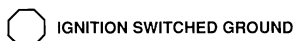
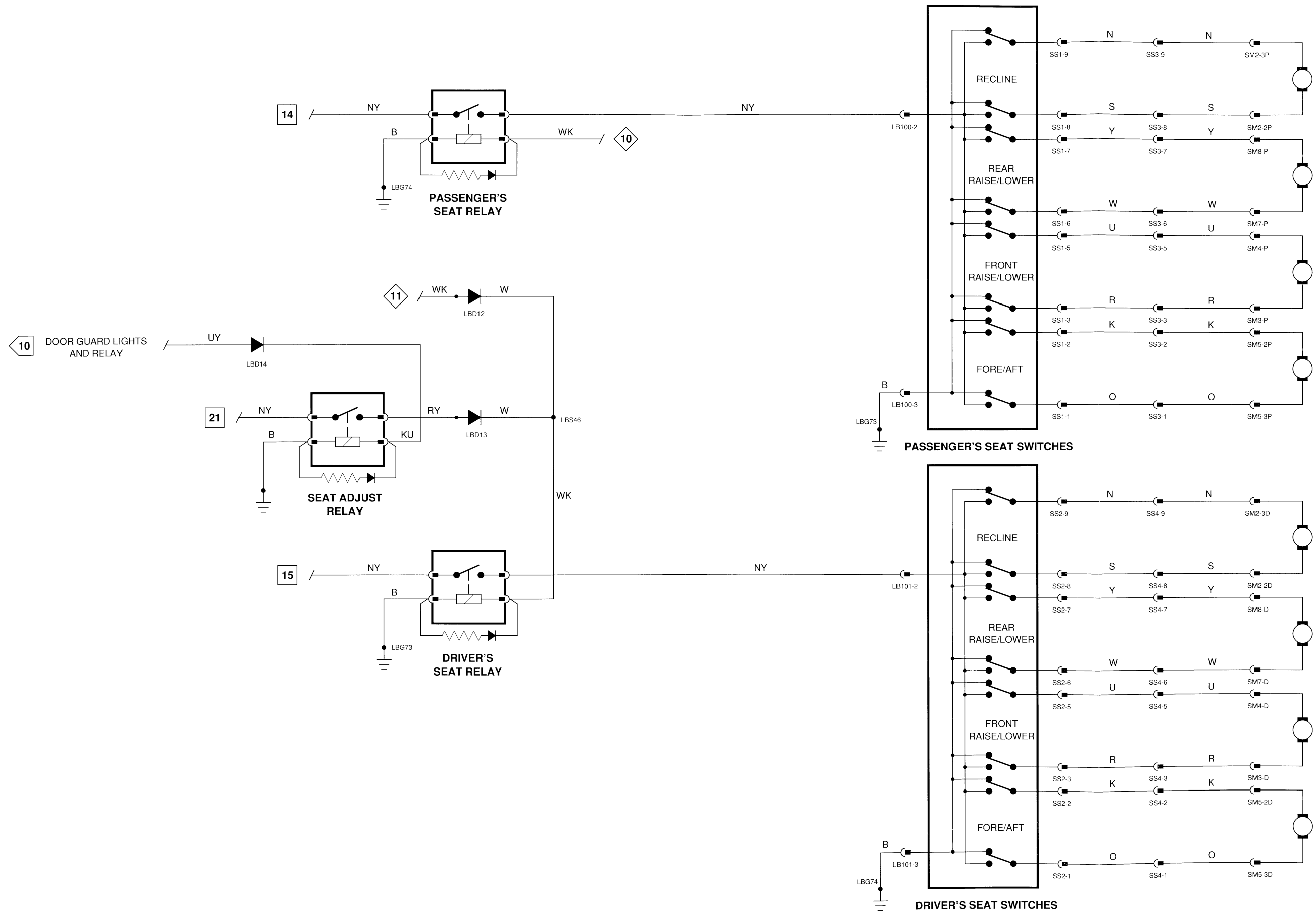


FIG 3



FIG 4





COMPONENTS

DESCRIPTION	LOCATION	ACCESS
CENTRAL MICROPROCESSOR	BEHIND GLOVE BOX	UNDER DASH PANEL, RIGHT
SEAT BACK HEATER	FRONT SEAT BACK	FRONT SEAT CUSHION
SEAT CUSHION HEATER	FRONT SEAT CUSHION	FRONT SEAT CUSHION
SEAT SWITCH PACK—DRIVER'S	CENTER CONSOLE, LEFT	CONSOLE SKI SLOPE PANEL
SEAT SWITCH PACK—PASSENGER'S	CENTER CONSOLE, RIGHT	CONSOLE SKI SLOPE PANEL

CONNECTORS

CODE	DESCRIPTION	LOCATION / INTERFACE
CH1	2-WAY ECONOSEAL (BLACK)	UNDER SEAT CUSHION / CUSHION ELEMENT
HS1	3-WAY ECONOSEAL (BLACK)	UNDER SEAT CUSHION / SEAT HEATER
LB12	3-WAY PM4 (BLACK)	RIGHT DASH UNDER PANEL / CPU
LB13	36-WAY PMHD (BLACK)	RIGHT DASH UNDER PANEL / CPU
LB14	36-WAY PMHD (YELLOW)	RIGHT DASH UNDER PANEL / CPU
LB39	6-WAY PMHD (BLACK)	CENTER CONSOLE / PASSENGER SEAT HEATER SWITCH
LB48	6-WAY PMHD (BLACK)	CONSOLE SKI SLOPE PANEL / DRIVER SEAT HEATER SWITCH
LB90	EYELET	PASSENGER FOOTWELL, 'A' POST / CPU GROUND
LB97	3-WAY ECONOSEAL (YELLOW)	CONSOLE SKI SLOPE / DRIVER SEAT HEATER SWITCH
LB98	3-WAY ECONOSEAL (RED)	UNDER DRIVER SEAT / DRIVER HS HARNESS
LB99	3-WAY ECONOSEAL (YELLOW)	CONSOLE SKI SLOPE / PASSENGER SEAT HEATER SWITCH
LB102	3-WAY ECONOSEAL (RED)	UNDER PASSENGER SEAT / PASSENGER HS HARNESS
SQ1	2-WAY ECONOSEAL (BLACK)	UNDER SEAT CUSHION / SEAT BACK ELEMENT

GROUNDS

CODE	DESCRIPTION	LOCATION / INTERFACE
LBG73	EYELET	CENTER CONSOLE ASHTRAY / POWER GROUND
LBG74	EYELET	CENTER CONSOLE ASHTRAY / POWER GROUND
LBG88	EYELET	RIGHT BULKHEAD, BEHIND DASH / POWER GROUND

INPUTS / OUTPUTS

CENTRAL MICROPROCESSOR

CODE	IN / OUT	CIRCUIT	ACTIVE	INACTIVE
LB12-2	IN	BATTERY POWER	12V	12V
LB13-1	IN	IGNITION POWER	12V	0V
LB13-25	IN	R/SEAT HEATER	GROUND	OPEN CIRCUIT
LB13-26	IN	L/SEAT HEATER	GROUND	OPEN CIRCUIT
LB13-36	IN	LOGIC GROUND	GROUND	GROUND
LB14-22	OUT	HEATED PASSENGER SEAT TIMER	TIMED GROUND: 0V	12V
LB14-23	OUT	HEATED DRIVER SEAT TIMER	TIMED GROUND: 0V	12V
LB90	IN	POWER GROUND		



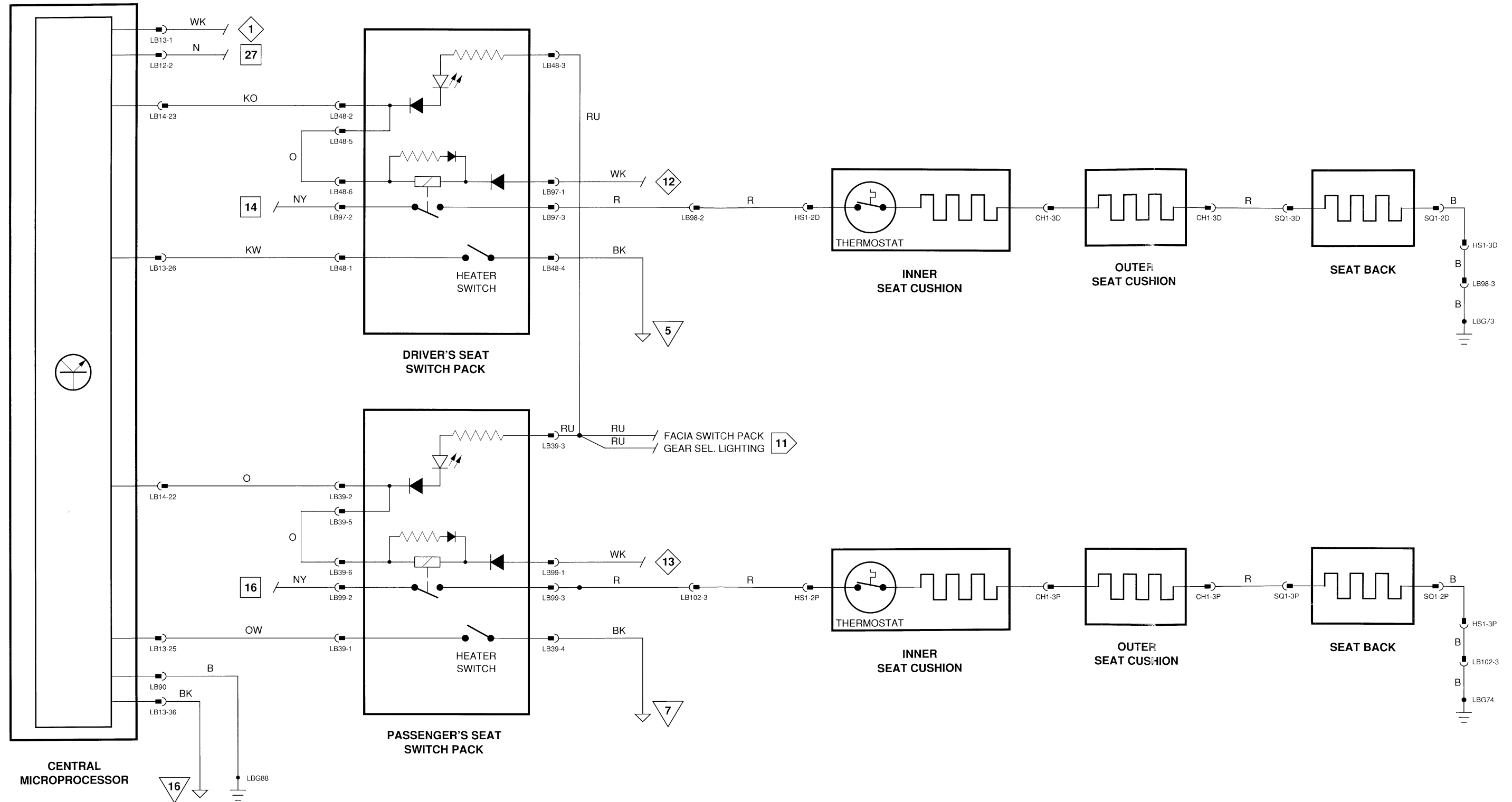


FIG 21

HEATERS: DOOR LOCK, W/S WASHER, H/L WASHER, ENG. BREATHER

COMPONENTS

DESCRIPTION

AMBIENT AIR TEMP. SENSOR
HEATER—ENGINE BREATHER
HEATER—DOOR LOCK
HEATER—HEADLIGHT WASHER
HEATER—WINDSHIELD WASHER
LOCK HEATER SWITCH
RELAY—BREATHER HEATER (LS59)
RELAY—DOOR LOCK HEATER (LB84)
THERMOSTAT—DOOR LOCK

LOCATION

FRONT VALANCE, RIGHT SIDE
BREATHER HOSE, ABOVE INLET ELBOW
EXTERIOR FRONT DOOR HANDLE
HEADLIGHT WASHER JET
WINDSHIELD WASHER JET
EXTERIOR FRONT DOOR HANDLE
LEFT RADIATOR SUPPORT
PASSENGER FOOTWELL 'A' POST
EXTERIOR FRONT DOOR HANDLE

ACCESS

FRONT VALANCE, BELOW
ENGINE COMPARTMENT
DOOR UNDER TRIM PANEL
FRONT BUMPER
WINDSHIELD PLENUM
DOOR LOWER TRIM PANEL
ENGINE COMPARTMENT
TRIM PANEL
DOOR LOWER TRIM PANEL

CONNECTORS

CODE

DESCRIPTION

LOCATION / INTERFACE

DD1	6-WAY PM4 (YELLOW)	DOOR TRIM, LOWER / DOOR SWITCH PANEL
DD7	2-WAY ITT SOCKET (YELLOW)	DOOR, INNER / LOCK THERMOSTAT
DD8	2-WAY ITT SOCKET (RED)	DOOR, INNER / LOCK HEATER
LB8	24-WAY PMHD (BLACK)	INSIDE RIGHT 'A' POST / PD HARNESS
LB28	6-WAY PM4 (YELLOW)	RIGHT DASH UNDER PANEL / LI HARNESS
LB61	36-WAY PMHD (BLACK)	INSIDE LEFT 'A' POST / DD HARNESS
LB84	RELAY BASE (BLACK)	PASSENGER FOOTWELL, 'A' POST / HEATED DOOR LOCK RELAY
LI40	2-WAY BOSCH SOCKET (BLACK)	BREATHER HOSE, AIR INTAKE ELBOW / BREATHER HEATER
LS1	36-WAY PMHD (BLACK)	LEFT 'A' POST, UNDER DASH PANEL / LB HARNESS
LS3	9-WAY PM4 (BLACK)	LEFT 'A' POST, UNDER DASH PANEL / LB HARNESS
LS43	2-WAY ITT SOCKET (BLACK)	FRONT VALANCE, LEFT / HEADLIGHT WASHER JET
LS44	2-WAY ITT SOCKET (BLACK)	FRONT VALANCE, LEFT / HEADLIGHT WASHER JET
LS59	RELAY BASE (BLUE)	LEFT RADIATOR SUPPORT / HEATED BREATHER RELAY
PD11	2-WAY ITT SOCKET (YELLOW)	DOOR, INNER / LOCK THERMOSTAT
PD12	2-WAY ITT SOCKET (RED)	DOOR, INNER / LOCK HEATER
PD13	2-WAY ITT SOCKET (GREEN)	DOOR, INNER / DOOR HANDLE SWITCH
RS15	2-WAY PM4 (BROWN)	BEHIND FRONT VALANCE, RS / POWER WASH TEMPERATURE SENSOR
RS22	36-WAY PMHD (BLACK)	RIGHT 'A' POST, UNDER DASH PANEL / LB HARNESS
RS60	2-WAY ITT SOCKET (BLACK)	PLENUM CHAMBER / RIGHT WINDSHIELD WASHER JET
RS61	2-WAY ITT SOCKET (BLACK)	PLENUM CHAMBER / LEFT WINDSHIELD WASHER JET
RS62	2-WAY ITT PLUG (BLACK)	FRONT VALANCE, RIGHT / HEADLIGHT WASHER JET
RS63	2-WAY ITT PLUG (BLACK)	FRONT VALANCE, RIGHT / HEADLIGHT WASHER JET

GROUND

CODE

DESCRIPTION

LOCATION / INTERFACE

LBG72	EYELET	DRIVER FOOTWELL, LEFT 'A' POST / POWER GROUND
LBG80	EYELET	PASSENGER FOOTWELL, RIGHT 'A' POST / POWER GROUND
LIG32	EYELET	INLET MANIFOLD, #2 CYLINDER FIRING STUD / POWER GROUND
LSG37	EYELET	ENGINE COMPARTMENT, LF / POWER GROUND
RSG53	EYELET	ENGINE COMPARTMENT, RF / POWER GROUND



FIG 1



FIG 2

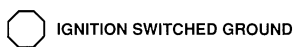


FIG 3

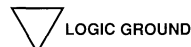
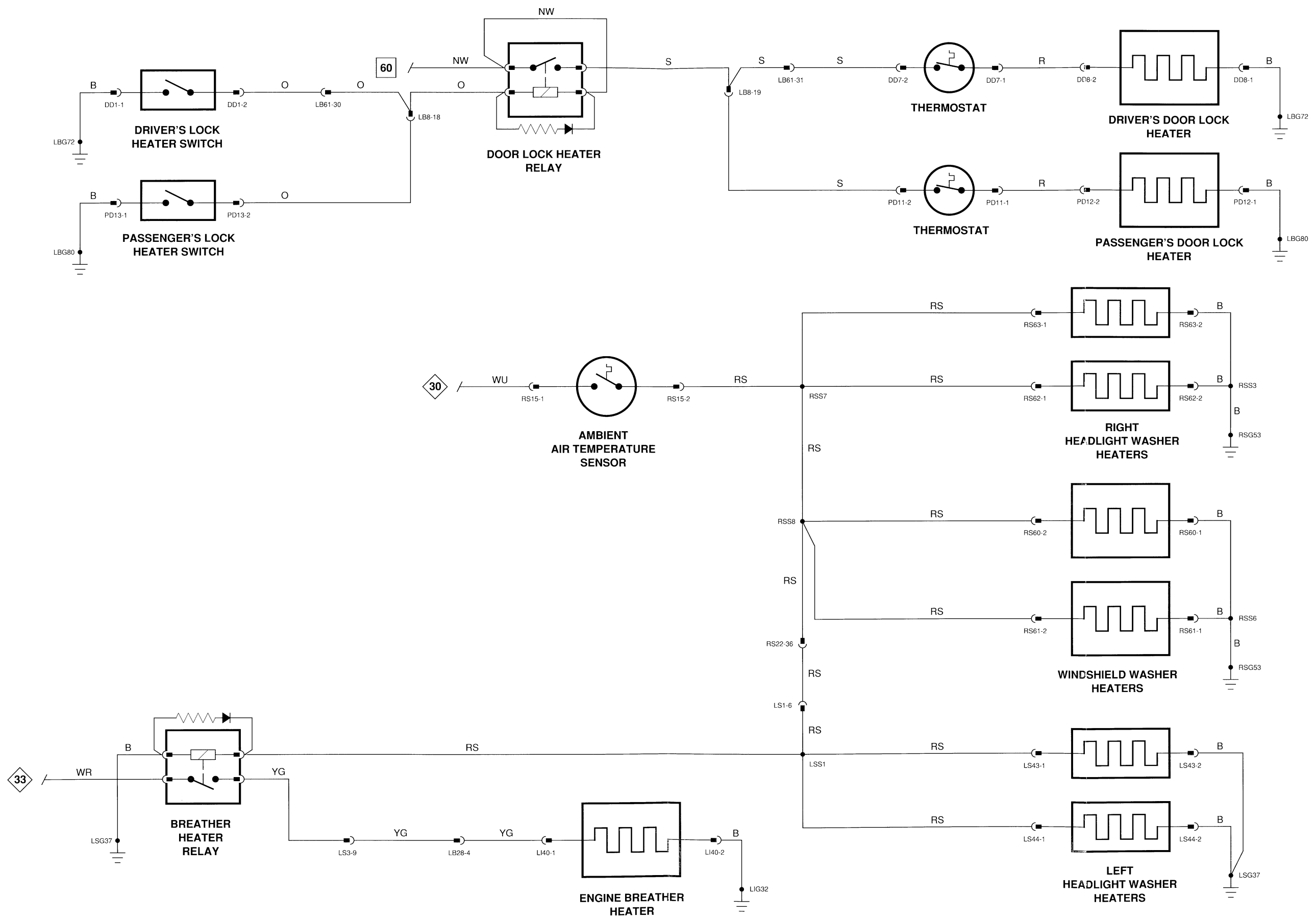


FIG 4





COMPONENTS

DESCRIPTION

CENTER CONSOLE
 CENTRAL MICROPROCESSOR
 DIODE—LBD9
 DIODE—LBD10
 HEATER—DOOR MIRROR
 HEATER—REAR WINDOW
 RELAY—HEATED REAR WINDOW (RS36)

LOCATION

CENTER CONSOLE
 BEHIND GLOVE BOX
 BULKHEAD, RIGHT, 4' FROM CPU CONNECTOR
 BULKHEAD, RIGHT, 4' FROM CPU CONNECTOR
 EXTERIOR DOOR MIRROR
 REAR WINDOW
 TRUNK, RIGHT FRONT

ACCESS

CONSOLE SKI SLOPE PANEL
 UNDER DASH PANEL, RIGHT
 DASH BOARD
 DASH BOARD
 DOOR UPPER TRIM PANEL
 TRIM PANEL

CONNECTORS

CODE	DESCRIPTION	LOCATION / INTERFACE
DD3	2-WAY ITT SOCKET (BLACK)	DOOR TRIM, UPPER / DOOR MIRROR
HB1	.250 BLADE RECEPTACLE	REAR WINDOW, LEFT / HEATED REAR WINDOW
LB7	6-WAY PM4 (BLACK)	INSIDE RIGHT 'A' POST / PD HARNESS
LB8	24-WAY PMHD (BLACK)	INSIDE RIGHT 'A' POST / PD HARNESS
LB12	3-WAY PM4 (BLACK)	RIGHT DASH UNDER PANEL / CPU
LB13	36-WAY PMHD (BLACK)	RIGHT DASH UNDER PANEL / CPU
LB14	36-WAY PMHD (YELLOW)	RIGHT DASH UNDER PANEL / CPU
LB30	15-WAY PMHD (BLUE)	CENTER CONSOLE / CENTER CONSOLE SWITCH PANEL
LB61	36-WAY PMHD (BLACK)	INSIDE LEFT 'A' POST / DD HARNESS
LB62	6-WAY PM4 (BLACK)	INSIDE LEFT 'A' POST / DD HARNESS
LB90	EYELET	PASSENGER FOOTWELL, 'A' POST / CPU EARTH
PD10	2-WAY ITT SOCKET (BLACK)	DOOR TRIM, UPPER / DOOR MIRROR
RS22	36-WAY PMHD (BLACK)	RIGHT 'A' POST, UNDER DASH PANEL / LB HARNESS
RS23	36-WAY PMHD (BLACK)	RIGHT 'A' POST, UNDER DASH PANEL / LB HARNESS
RS36	RELAY BASE (RED)	TRUNK TRIM PANEL, RIGHT / HEATED REAR WINDOW RELAY
RS49	.250 BLADE RECEPTACLE	RIGHT 'E' POST TRIM / HEATED REAR WINDOW

GROUND

CODE	DESCRIPTION	LOCATION / INTERFACE
HBG2	EYELET	'E' POST TRIM / POWER GROUND
LBG88	EYELET	RIGHT BULKHEAD, BEHIND DASH / POWER GROUND

INPUTS / OUTPUTS

CENTRAL MICROPROCESSOR

CODE	IN / OUT	CIRCUIT	ACTIVE	INACTIVE
LB12-2	IN	BATTERY POWER	12V	12V
LB13-1	IN	IGNITION POWER	12V	0V
LB13-31	IN	HEATED REAR WINDOW	GROUND	OPEN CIRCUIT
LB13-36	IN	LOGIC GROUND	GROUND	GROUND
LB14-12	OUT	HEATED REAR WINDOW RELAY	TIMED GROUND: 0V	12V
LB14-19	OUT	HEATED REAR VIEW MIRRORS	TIMED GROUND: 0V	12V
LB14-35	OUT	CLOCK DISPLAY W/KEY ON	12V	0V
LB14-36	OUT	CENTER CONSOLE PANEL GROUND	GROUND: 0V	GROUND: 0V
LB90	IN	POWER GROUND	GROUND	GROUND

CENTER CONSOLE

CODE	IN / OUT	CIRCUIT	ACTIVE	INACTIVE
LB30-1	IN	HEATED REAR WINDOW INDICATOR	TIMED GROUND	12V
LB30-2	OUT	HEATED REAR WINDOW SWITCH	GROUND	OPEN CIRCUIT
LB30-10	IN	IGNITION SWITCHED GROUND	KEY ON—AUX.: GROUND	KEY OFF—START: OPEN CIRCUIT
LB30-15	IN	POWER GROUND	GROUND	GROUND



FIG 1



FIG 2

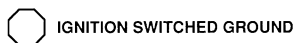


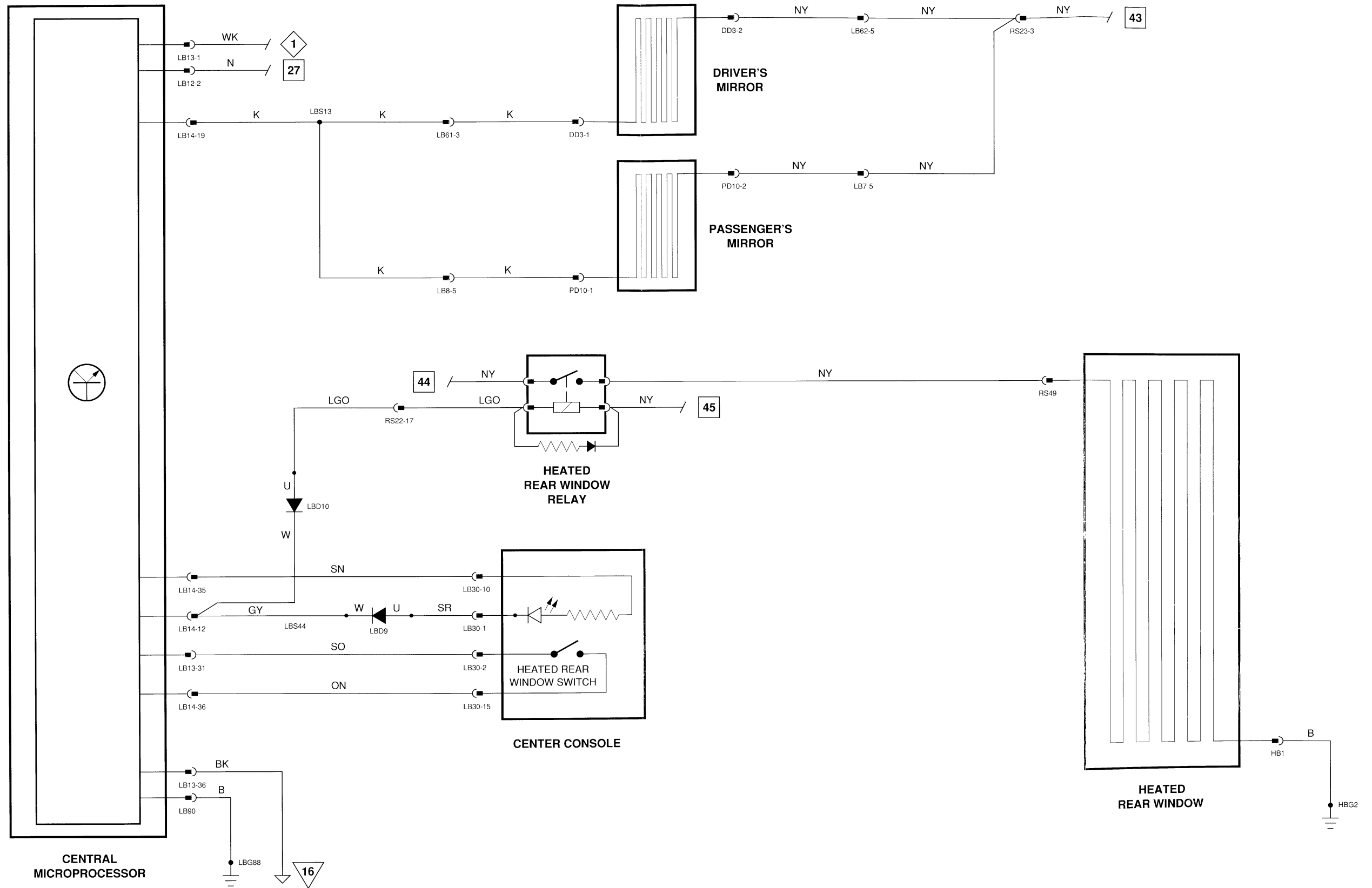
FIG 3



FIG 4



FIG 5



COMPONENTS

DESCRIPTION	LOCATION	ACCESS
DRIVER'S DOOR PANEL	DOOR ARM REST	DOOR LOWER TRIM PANEL

CONNECTORS

CODE	DESCRIPTION	LOCATION / INTERFACE
DD1	6-WAY PM4 (YELLOW)	DOOR TRIM, LOWER / DOOR SWITCH PANEL
DD2	24-WAY PMHD (YELLOW)	DOOR TRIM, LOWER / DOOR SWITCH PANEL
DD4	4-WAY ITT SOCKET (BLACK)	DOOR TRIM, UPPER / DOOR MIRROR
LB8	24-WAY PMHD (BLACK)	INSIDE RIGHT 'A' POST / PD HARNESS
LB61	36-WAY PMHD (BLACK)	INSIDE LEFT 'A' POST / DD HARNESS
LB62	6-WAY PM4 (BLACK)	INSIDE LEFT 'A' POST / DD HARNESS
PD9	4-WAY ITT SOCKET (BLACK)	DOOR TRIM, UPPER / DOOR MIRROR

GROUNDINGS

CODE	DESCRIPTION	LOCATION / INTERFACE
LBG72	EYELET	DRIVER FOOTWELL, LEFT 'A' POST / POWER GROUND



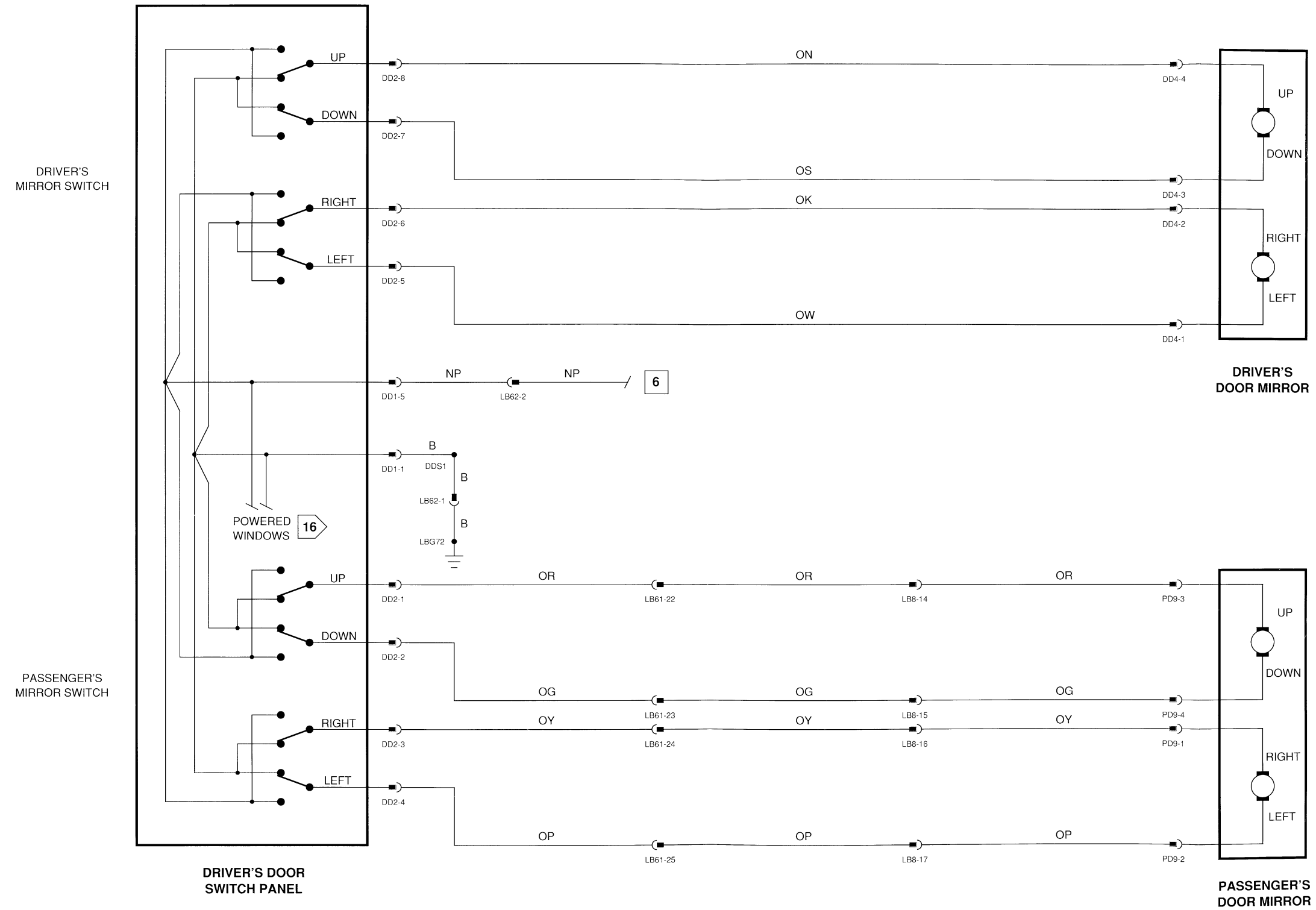


FIG 24

WINDSHIELD WIPER; WINDSHIELD WASHERS; HEADLIGHT WASHERS

COMPONENTS

DESCRIPTION

CENTRAL MICROPROCESSOR
 COLUMN SWITCHES
 MOTOR—HEADLIGHT WASHER
 MOTOR—WINDSHIELD WASHER
 MOTOR—WIPER
 RELAY—HEADLIGHT WASHER (RS4)
 RELAY—WINDSHIELD WASHER (RS5)
 WIPER LOGIC UNIT

LOCATION

BEHIND GLOVE BOX
 STEERING COLUMN
 WASHER FLUID RESERVOIR
 WASHER FLUID RESERVOIR
 FRONT BULKHEAD
 RIGHT RADIATOR SUPPORT
 RIGHT RADIATOR SUPPORT
 RIGHT COMPONENT PANEL

ACCESS

UNDER DASH PANEL, RIGHT
 STEERING COLUMN COVER
 FRONT VALANCE
 FRONT VALANCE
 ENGINE COMPARTMENT
 ENGINE COMPARTMENT
 ENGINE COMPARTMENT
 RIGHT UNDER DASH PANEL

CONNECTORS

CODE

LB12 3-WAY PM4 (BLACK)
 LB13 36-WAY PMHD (BLACK)
 LB14 36-WAY PMHD (YELLOW)
 LB55 24-WAY PMHD (BLACK)
 LB59 6-WAY PM4 (BLACK)
 LB60 4-WAY PMHD (BLACK)
 LS3 9-WAY PM4 (BLACK)
 LS4 9-WAY PM4 (YELLOW)
 LS18 6-WAY PM4 (BLACK)
 LS64 6-WAY PM4 (YELLOW)
 RS4 RELAY BASE (RED)
 RS5 RELAY BASE (YELLOW)
 RS8 2-WAY PM4 (BLACK)
 RS9 2-WAY PM4 (YELLOW)
 RS24 24-WAY PMHD (YELLOW)
 SC2 6-WAY PMHD (YELLOW)
 SC3 6-WAY PMHD (BLUE)

LOCATION / INTERFACE

RIGHT DASH UNDER PANEL / CPU
 RIGHT DASH UNDER PANEL / CPU
 RIGHT DASH UNDER PANEL / CPU
 LEFT DASH UNDER PANEL / COLUMN SWITCHES
 RIGHT DASH UNDER PANEL / WIPER LOGIC MODULE
 WIPER LOGIC MODULE
 LEFT 'A' POST, UNDER DASH PANEL / LB HARNESS
 LEFT 'A' POST, UNDER DASH PANEL / LB HARNESS
 ENGINE COMPARTMENT / WIPER MOTOR
 LEFT DASH UNDER PANEL, 'A' POST, HIGH / LB HARNESS
 RIGHT RADIATOR SUPPORT / HEADLIGHT WASHER RELAY
 RIGHT RADIATOR SUPPORT / WINDSHIELD WASHER RELAY
 BEHIND FRONT VALANCE, RIGHT / HEADLIGHT WASH PUMP
 BEHIND FRONT VALANCE, RIGHT / WINDSHIELD WASH PUMP
 RIGHT 'A' POST, UNDER DASH PANEL / LB HARNESS
 STEERING COLUMN COVER / WASH-WIPE SWITCH
 STEERING COLUMN COVER / DIRECTIONAL SWITCH

GROUND

CODE

LBG88 EYELET
 LSG48 EYELET
 RSG53 EYELET

LOCATION / INTERFACE

RIGHT BULKHEAD, BEHIND DASH / POWER GROUND
 WIPER MOTOR / POWER GROUND
 ENGINE COMPARTMENT, RIGHT FRONT / POWER GROUND

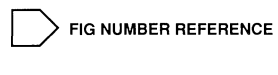
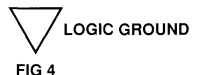
INPUTS / OUTPUTS

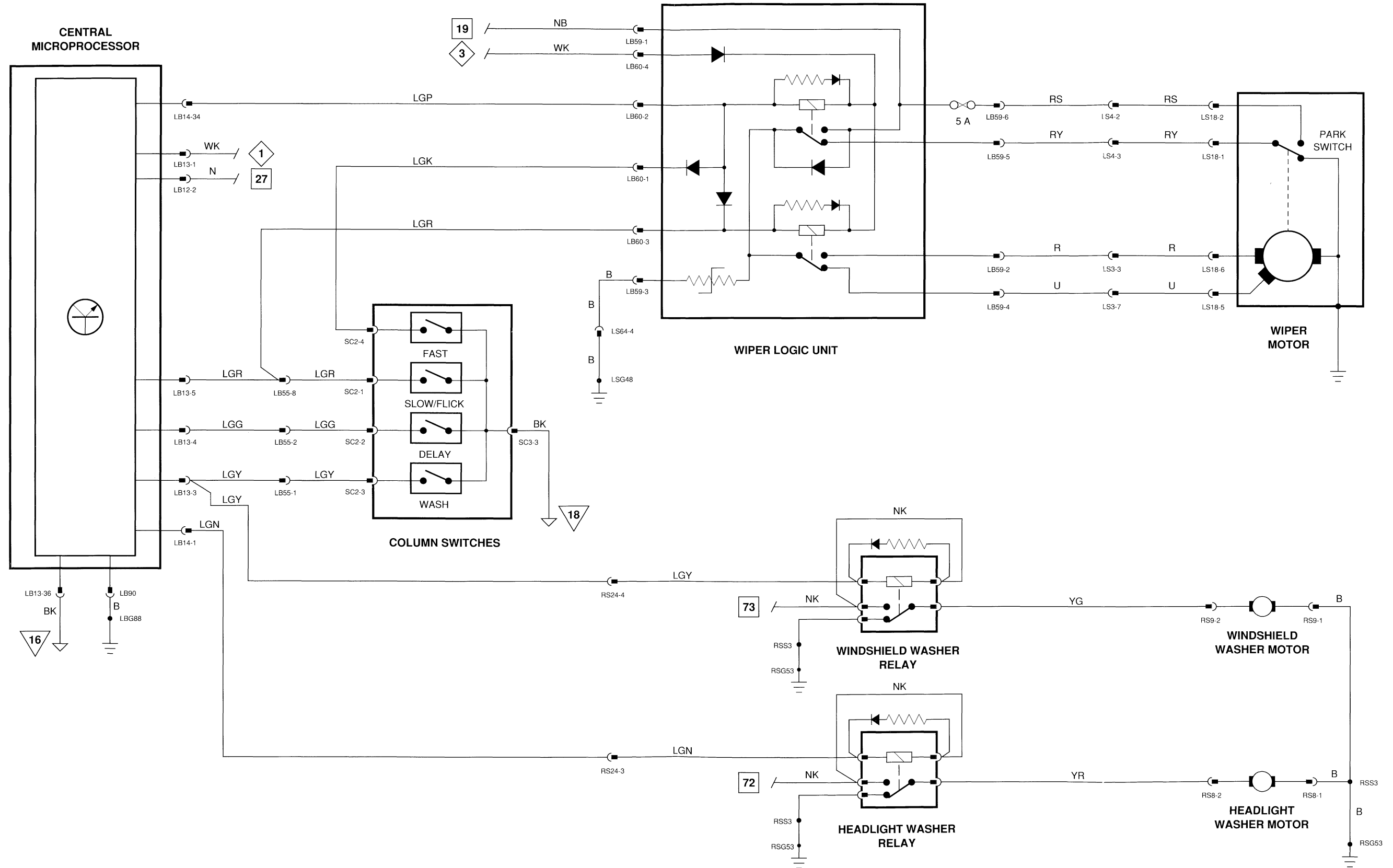
CENTRAL MICROPROCESSOR

CODE	IN / OUT	CIRCUIT	ACTIVE	INACTIVE
LB12-2	IN	BATTERY POWER	12V	12V
LB13-1	IN	IGNITION POWER	12V	0V
LB13-3	IN	WINDSHIELD WASHER	GROUND	12V
LB13-4	IN	WINDSHIELD WIPER DELAY	GROUND	OPEN CIRCUIT
LB13-5	IN	WINDSHIELD WIPER SLOW/FLICK	GROUND	12V
LB13-36	IN	LOGIC GROUND	GROUND	GROUND
LB14-1	OUT	POWER WASH RELAY	TIMED GROUND: 0V	12V
LB14-34	OUT	INTERMITTENT WIPE	STAGGERED GROUND: 0V	12V
LB90	IN	POWER GROUND	GROUND	GROUND

COLUMN SWITCHES

CODE	IN / OUT	CIRCUIT	ACTIVE	INACTIVE
LB55-1	OUT	WINDSHIELD WASHER SWITCH	GROUND	12V
LB55-2	OUT	WIPER DELAY SWITCH	GROUND	OPEN CIRCUIT
LB55-8	OUT	WIPER SLOW/FLICK SWITCH		





COMPONENTS

DESCRIPTION	LOCATION	ACCESS
ABS MODULATOR	ENGINE COMPARTMENT, RIGHT REAR	ENGINE COMPARTMENT
ANTI-LOCK BRAKING ECU	TRUNK, LEFT SIDE	TRUNK TRIM PANEL, LEFT
DIODE—LSD1	BULKHEAD, LEFT OF STEERING COLUMN	DASH BOARD
RELAY—BRAKE LIGHT SIMULATION (LS55)	TRUNK, LEFT FRONT	TRIM PANEL
RELAY—OVER VOLTAGE (LS50)	TRUNK, LEFT FRONT	TRIM PANEL
RESISTOR—LSR1	TRUNK, LEFT FORWARD, BELOW RELAYS	TRUNK LEFT TRIM PANEL
WHEEL SPEED SENSOR—FRONT	FRONT SUSPENSION VERTICAL LINK	FRONT SUBFRAME, BELOW
WHEEL SPEED SENSOR—REAR	REAR AXLE HUB, ABOVE	REAR SUBFRAME, BELOW

CONNECTORS

CODE	DESCRIPTION	LOCATION / INTERFACE
LS46	2-WAY AMP PLUG (WHITE)	ENGINE COMPARTMENT, LEFT FRONT INNER FENDER / LEFT FRONT ABS SPEED SENSOR
LS47	12-WAY BOSCH SOCKET (BLACK)	ENGINE COMPARTMENT, RIGHT / ABS MODULATOR
LS49	2-WAY AMP PLUG (WHITE)	ENGINE COMPARTMENT, RIGHT FRONT INNER FENDER / RIGHT FRONT ABS SPEED SENSOR
LS50	RELAY BASE (GREEN)	TRUNK TRIM PANEL, LEFT / OVER VOLTAGE RELAY
LS51	2-WAY AMP PLUG (WHITE)	TRUNK BULKHEAD TRIM PANEL / LEFT REAR ABS SPEED SENSOR
LS52	2-WAY AMP PLUG (WHITE)	TRUNK BULKHEAD TRIM PANEL / RIGHT REAR ABS SPEED SENSOR
LS53	35-WAY AMP SOCKET (BLACK)	TRUNK TRIM PANEL, LEFT / ABS ECU
LS55	RELAY BASE (BLUE)	TRUNK TRIM PANEL, LEFT / BRAKE LIGHT SIMULATION RELAY

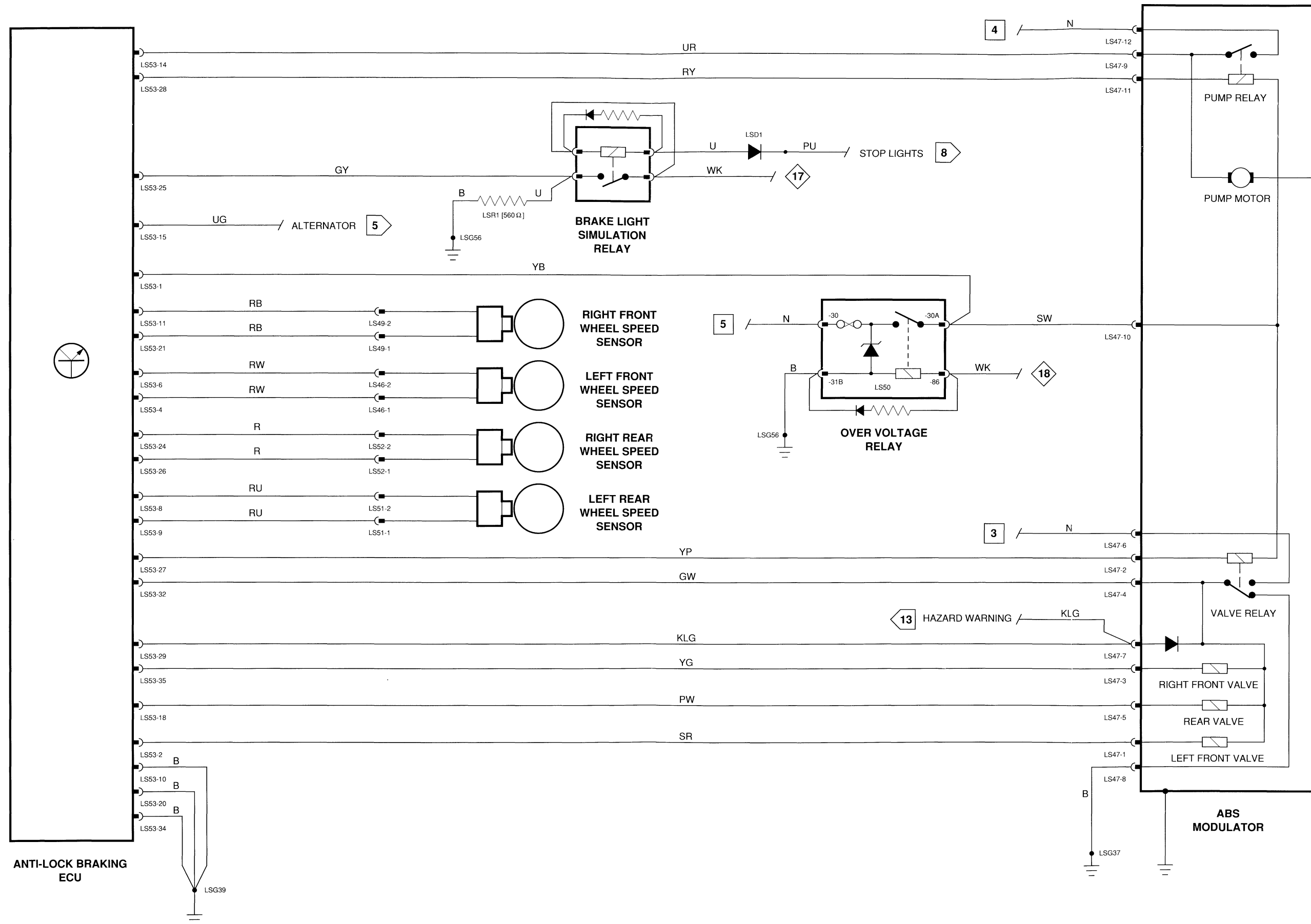
GROUNDINGS

CODE	DESCRIPTION	LOCATION / INTERFACE
LSG37	EYELET	ENGINE COMPARTMENT, LEFT FRONT / POWER GROUND
LSG39	EYELET	BEHIND TRUNK TRIM PANEL, LEFT REAR / POWER GROUND
LSG56	EYELET	TRUNK TRIM PANEL, LEFT REAR / POWER GROUND

INPUTS / OUTPUTS

ANTI-LOCK BRAKING ECU

CODE	IN / OUT	CIRCUIT	ACTIVE	INACTIVE
LS53-1	IN	OVER VOLTAGE RELAY OUTPUT	12V	0V
LS53-2	OUT	LEFT FRONT MODULATOR VALVE SOLENOID	VARIABLE RESISTANCE TO GROUND	12V
LS53-4	IN	LEFT FRONT SPEED SENSOR TO PIN 6	A.C.V. SIGNAL	0V
LS53-6	IN	LEFT FRONT SPEED SENSOR TO PIN 4	A.C.V. SIGNAL	0V
LS53-8	IN	LEFT REAR SPEED SENSOR TO PIN 9	A.C.V. SIGNAL	0V
LS53-9	IN	LEFT REAR SPEED SENSOR TO PIN 8	A.C.V. SIGNAL	0V
LS53-10	IN	POWER GROUND	GROUND	GROUND
LS53-11	IN	RIGHT FRONT SPEED SENSOR TO PIN 21	A.C.V. SIGNAL	0V
LS53-14	IN	PUMP CIRCUIT TEST LINE	PUMP ON: 12V	PUMP OFF: PULSED SIGNAL
LS53-15	IN	ALTERNATOR OUTPUT TEST	ENGINE RUNNING: 13.5V	ENGINE NOT RUNNING: 1.4V
LS53-18	IN	REAR MODULATOR VALVE SOLENOID	VARIABLE RESISTANCE TO GROUND	12V
LS53-20	IN	POWER GROUND	GROUND	GROUND
LS53-21	IN	RIGHT FRONT SPEED SENSOR TO PIN 11	A.C.V. SIGNAL	0V
LS53-24	IN	RIGHT REAR SPEED SENSOR TO PIN 26	A.C.V. SIGNAL	0V
LS53-25	IN	BRAKE LIGHT SIMULATION RELAY	BRAKE ON: 12V	BRAKE OFF: 0V
LS53-26	IN	RIGHT REAR SPEED SENSOR TO PIN 24	A.C.V. SIGNAL	0V
LS53-27	OUT	VALVE RELAY	GROUND	12V
LS53-28	OUT	PUMP RELAY	GROUND	12V
LS53-29	OUT	VCM ANTI-LOCK FAILURE WARNING	FAIL: GROUND	PASS: 12V
LS53-32	IN	VALVE RELAY TEST LINE	12V	GROUND
LS53-34	IN	POWER GROUND	GROUND	GROUND
LS53-35	OUT	RIGHT FRONT MODULATOR VALVE SOLENOID	VARIABLE RESISTANCE TO GROUND	12V



COMPONENTS

DESCRIPTION	LOCATION	ACCESS
CHARGE SWITCH ASSEMBLY	SOLENOID VALVE BLOCK	ENGINE COMPARTMENT, RIGHT INNER FENDER
DIODE—RAD1	TRUNK BULKHEAD	TRUNK BULKHEAD TRIM PANEL
DIODE—RSD4	ABOVE SOLENOID VALVE BLOCK	ENGINE COMPARTMENT, RIGHT
DIODE / RESISTOR—RSR1	ABOVE SOLENOID VALVE BLOCK	ENGINE COMPARTMENT, RIGHT
DIODE / RESISTOR—RSD6	ABOVE SOLENOID VALVE BLOCK	ENGINE COMPARTMENT, RIGHT
RELAY—UP VALVE (RS29)	PASSENGER FOOTWELL 'A' POST	TRIM PANEL
RIDE HEIGHT SENSOR	RIGHT REAR WISHBONE	REAR SUBFRAME, BELOW
VALVE BLOCK	RIGHT INNER FENDER	ENGINE COMPARTMENT

CONNECTORS

CODE	DESCRIPTION	LOCATION / INTERFACE
LS1	36-WAY PMHD (BLACK)	LEFT 'A' POST, UNDER DASH PANEL / LB HARNESS
RA3	3-WAY PLUG (BLACK)	REAR BRAKE CALIPER / BRAKE PAD
RS19	6-WAY PM4 (YELLOW)	ENGINE COMPARTMENT, RIGHT FRONT INNER FENDER / SOLENOID VALVE BLOCK
RS22	36-WAY PMHD (BLACK)	RIGHT 'A' POST, UNDER DASH PANEL / LB HARNESS
RS25	4-WAY PM4 (GREEN)	ENGINE COMPARTMENT, RS CRUSH TUBE / ACCUMULATOR SWITCHES
RS29	RELAY BASE (BLUE)	PASSENGER FOOTWELL 'A' POST / UP VALVE RELAY
RS35	8-WAY PM4 (BLACK)	TRUNK BULKHEAD TRIM / RA HARNESS

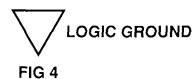
GROUND

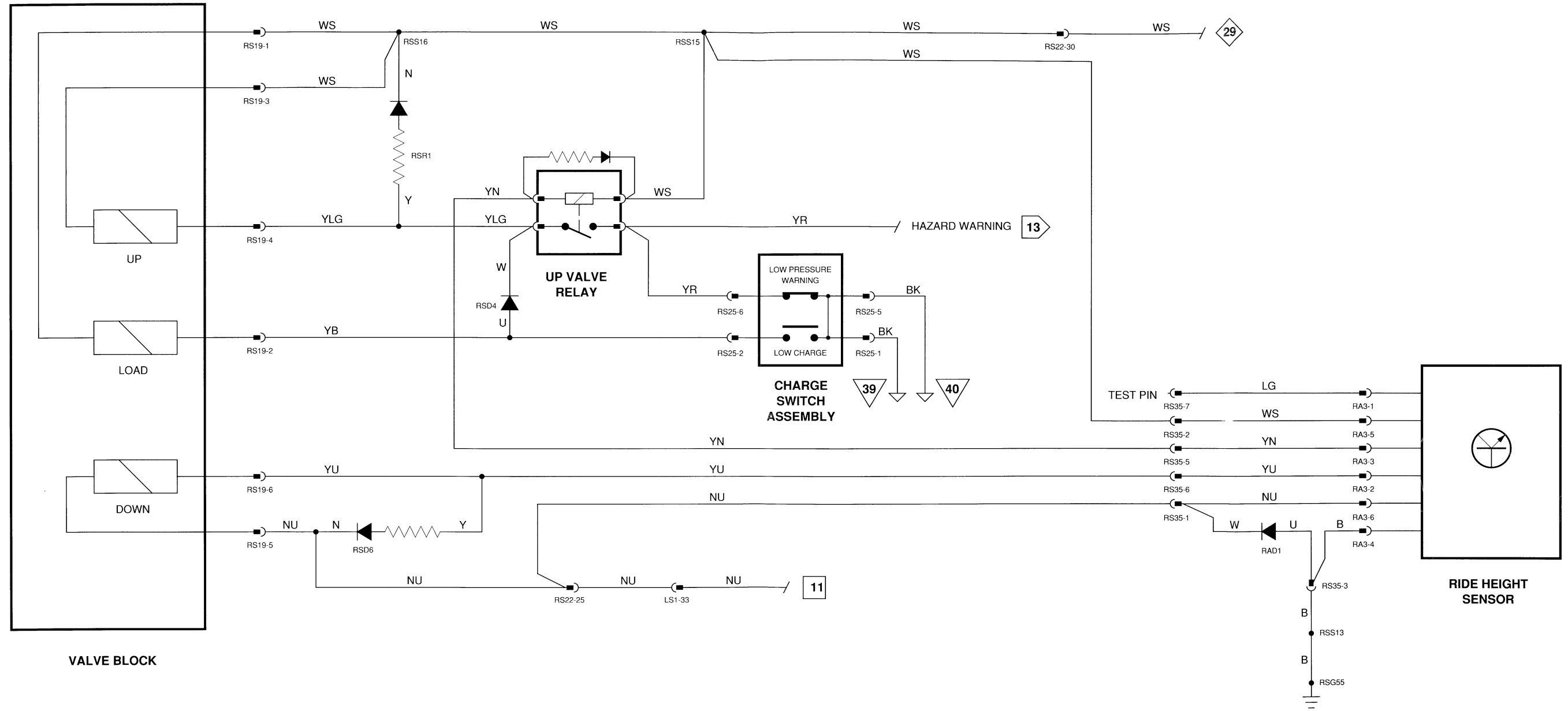
CODE	DESCRIPTION	LOCATION / INTERFACE
RSG55	EYELET	BEHIND TRUNK TRIM PANEL, RIGHT REAR / POWER GROUND

INPUTS / OUTPUTS

RIDE HEIGHT SENSOR

CODE	IN / OUT	CIRCUIT	ACTIVE	INACTIVE
RS35-1	IN	BATTERY POWER	12V	12V
RS35-2	IN	IGNITION SWITCHED POWER	KEY ON: 12V	KEY OFF: 0V
RS35-3	IN	POWER GROUND	GROUND	GROUND
RS35-5	OUT	UP VALVE RELAY	GROUND	12V
RS35-6	OUT	DOWN VALVE SOLENOID	GROUND	12V
RS35-7		TEST PIN		





COMPONENTS

DESCRIPTION	LOCATION	ACCESS
BRAKE LIGHT SWITCH	BRAKE PEDAL BOX	DRIVER FOOTWELL
BRAKE SWITCH (SPEED CONTROL INHIBIT)	BRAKE PEDAL BOX	DRIVER FOOTWELL
DIODE—LSD4	LEFT FRONT INNER FENDER, TOP	ENGINE COMPARTMENT, LEFT
DUMP VALVE	BELOW AIR CLEANER HOUSING	ENGINE COMPARTMENT
LINEAR GEAR POSITION SWITCHES	'J' GATE	CONSOLE SKI SLOPE PANEL
RELAY—SPEED CONTROL (LB93)	RIGHT 'A' POST	PASSENGER FOOTWELL TRIM
SHORTING PLUG	ABOVE FOOT PEDALS	LEFT DASH UNDER PANEL
SPEED CONTROL ECM	RIGHT COMPONENT PANEL	RIGHT DASH UNDER PANEL
SPEED CONTROL SWITCHES	FACIA SWITCH PACK	LEFT DASH UNDER PANEL
VACUUM PUMP AND CONTROL VALVE	BELOW AIR CLEANER HOUSING	ENGINE COMPARTMENT

CONNECTORS

CODE	DESCRIPTION	LOCATION / INTERFACE
LB20	.250 BLADE RECEPTACLE	RIGHT DASH UNDER PANEL / SPEED CONTROL ECU
LB21	8-WAY AMP (WHITE)	RIGHT DASH UNDER PANEL / SPEED CONTROL ECM
LB35	15-WAY PMHD (GREEN)	CENTER CONSOLE / LINEAR GEAR SWITCH
LB37	3-WAY ECONOSEAL (BLACK)	LEFT DASH UNDER PANEL / SHORTING PLUG
LB51	15-WAY PMHD (BROWN)	LEFT DASH UNDER PANEL / FACIA SWITCH PACK
LB56	2-WAY PMHD (YELLOW)	DRIVER FOOTWELL, PEDAL BOX / BRAKE SWITCH
LB83	3-WAY ECONOSEAL (RED)	DRIVER FOOTWELL, PEDAL BOX / BRAKE SWITCH
LB93	RELAY BASE (RED)	PASSENGER FOOTWELL 'A' POST / SPEED CONTROL RELAY
LS1	36-WAY PMHD (BLACK)	LEFT 'A' POST, UNDER DASH PANEL / LB HARNESS
LS26	3-WAY AMP SOCKET (BLACK)	UNDER AIR FILTER HOUSING / SPEED CONTROL PUMP
LS27	3-WAY PM4 (BLACK)	UNDER AIR FILTER HOUSING / SPEED CONTROL DUMP VALVE
LS64	6-WAY PM4 (YELLOW)	LEFT DASH UNDER PANEL, 'A' POST, HIGH / LB HARNESS

GROUND

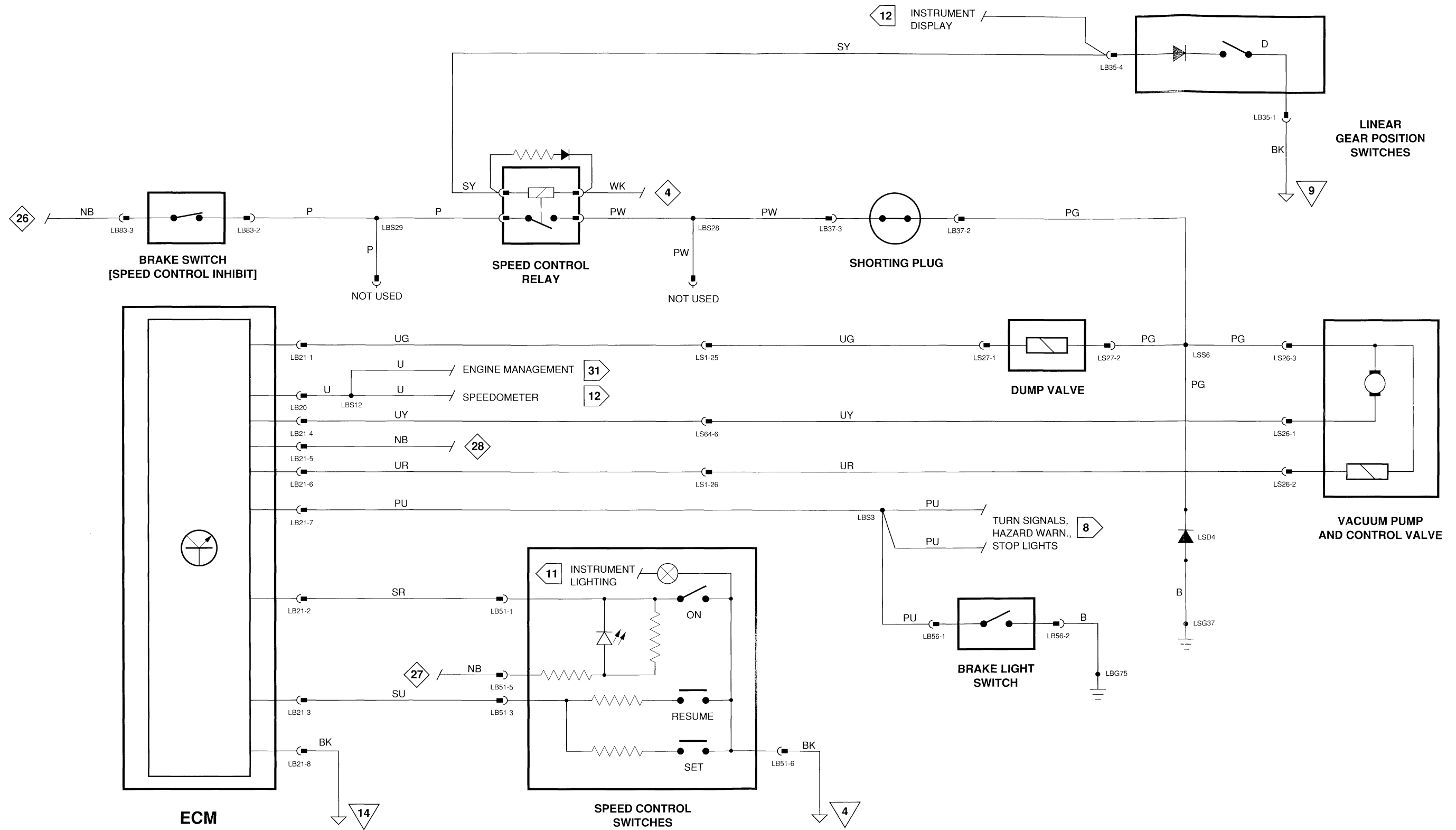
CODE	DESCRIPTION	LOCATION / INTERFACE
LBG75	EYELET	BULKHEAD, BEHIND LEFT BLOWER AIR DUCT / POWER GROUND
LSG37	EYELET	ENGINE COMPARTMENT, LEFT FRONT / POWER GROUND

INPUTS / OUTPUTS

SPEED CONTROL ECM

CODE	IN / OUT	CIRCUIT	ACTIVE	INACTIVE
LB20	IN	ROAD SPEED SIGNAL	PULSED SIGNAL	5V DC
LB21-1	OUT	DUMP VALVE CONTROL	GROUND	12V
LB21-2	IN	ON-OFF SWITCH	GROUND	12V
LB21-3	IN	SET/RESUME SWITCHES	SET: 1.5V, RESUME: 3V	5V
LB21-4	OUT	VACUUM PUMP	GROUND	12V
LB21-5	IN	IGNITION SWITCHED POWER	KEY ON: 12V	KEY OFF: 0V
LB21-6	OUT	SPEED CONTROL VALVE	GROUND	12V
LB21-7	IN	BRAKE LIGHT SWITCH	GROUND	12V
LB21-8	IN	LOGIC GROUND	GROUND	GROUND





COMPONENTS

DESCRIPTION

ANTENNA MOTOR
 CENTRAL MICROPROCESSOR
 DIODE—LBD7
 RADIO
 RELAY—AC AND RADIO (LB16)
 RELAY—ANTENNA DOWN (RS38)
 RELAY—ANTENNA UP (RS37)
 SPEAKER—BASS
 SPEAKER—DOOR

LOCATION

TRUNK, RIGHT FRONT
 BEHIND GLOVE BOX
 BEHIND DASH GLOVE BOX
 CENTER CONSOLE
 COMPONENT PANEL
 TRUNK PANEL, RIGHT FRONT
 TRUNK, RIGHT FRONT
 REAR SEAT KICK PANEL
 DOOR LOWER TRIM PANEL

ACCESS

TRUNK TRIM PANEL, RIGHT
 UNDER DASH PANEL, RIGHT
 DASH GLOVE BOX ASSEMBLY
 CONSOLE SKI SLOPE PANEL
 RIGHT DASH UNDER PANEL
 TRIM PANEL
 TRIM PANEL
 REAR FOOTWELL
 DOOR LOWER TRIM PANEL

CONNECTORS

CODE

DD2 24-WAY PMHD (YELLOW)
 DS1 2-WAY PMHD (BLACK)
 LB8 24-WAY PMHD (BLACK)
 LB12 3-WAY PM4 (BLACK)
 LB13 36-WAY PMHD (BLACK)
 LB14 36-WAY PMHD (YELLOW)
 LB16 RELAY BASE (BLACK)
 LB32 3-WAY PM4 (YELLOW)
 LB33 15-WAY PMHD (YELLOW)
 LB61 36-WAY PMHD (BLACK)
 LB90 EYELET
 LS1 36-WAY PMHD (BLACK)
 LS2 15-WAY PMHD (YELLOW)
 LS6 6-WAY PMHD (BLACK)
 LS9 2-WAY PMHD (BLACK)
 PD8 6-WAY PMHD (YELLOW)
 PS1 2-WAY PMHD (BLACK)
 RD5 6-WAY PMHD (YELLOW)
 RS22 36-WAY PMHD (BLACK)
 RS24 24-WAY PMHD (YELLOW)
 RS31 6-WAY PMHD (BLACK)
 RS33 2-WAY PMHD (BLACK)
 RS37 RELAY BASE (GREEN)
 RS38 RELAY BASE (BLACK)
 RS48 2-WAY PM4 (BLACK)

LOCATION / INTERFACE

DOOR TRIM, LOWER / DOOR SWITCH PANEL
 DOOR TRIM, LOWER / DOOR SPEAKER
 INSIDE RIGHT 'A' POST / PD HARNESS
 RIGHT DASH UNDER PANEL / CPU
 RIGHT DASH UNDER PANEL / CPU
 RIGHT DASH UNDER PANEL / CPU
 RIGHT DASH UNDER PANEL / AC AND RADIO RELAY
 CENTER CONSOLE / RADIO
 CENTER CONSOLE / RADIO
 INSIDE LEFT 'A' POST / DD HARNESS
 PASSENGER FOOTWELL, 'A' POST / CPU GROUND
 LEFT 'A' POST, UNDER DASH PANEL / LB HARNESS
 LEFT 'A' POST, UNDER DASH PANEL / LB HARNESS
 LEFT 'B/C' POST LINER / RD HARNESS
 LEFT REAR FOOTWELL / BASS SPEAKER
 DOOR TRIM, LOWER / DOOR SWITCH PANEL
 DOOR TRIM, LOWER / DOOR SPEAKER
 DOOR TRIM, UPPER / DOOR SWITCH PANEL
 RIGHT 'A' POST, UNDER DASH PANEL / LB HARNESS
 RIGHT 'A' POST, UNDER DASH PANEL / LB HARNESS
 RIGHT LOWER 'B/C' POST TRIM / RD HARNESS
 RIGHT REAR FOOTWELL / RIGHT BASS SPEAKER
 TRUNK TRIM PANEL, RIGHT / ANTENNA UP RELAY
 TRUNK TRIM PANEL, RIGHT / ANTENNA DOWN RELAY
 TRUNK TRIM PANEL, RIGHT / ELECTRIC ANTENNA

GROUND

CODE

LBG74 EYELET
 LBG88 EYELET
 RSG55 EYELET

LOCATION / INTERFACE

CENTER CONSOLE ASHTRAY / POWER GROUND
 RIGHT BULKHEAD, BEHIND DASH / POWER GROUND
 BEHIND TRUNK TRIM PANEL, RIGHT REAR / POWER GROUND

INPUTS / OUTPUTS

CENTRAL MICROPROCESSOR

CODE	IN / OUT	CIRCUIT	ACTIVE	INACTIVE
LB12-2	IN	BATTERY POWER	12V	12V
LB13-1	IN	IGNITION POWER	12V	0V
LB13-24	IN	RADIO ANTENNA	12V	OPEN CIRCUIT
LB13-36	IN	LOGIC GROUND	GROUND	GROUND
LB14-20	OUT	ANTENNA UP RELAY	TIMED GROUND: 0V	12V
LB14-21	OUT	ANTENNA DOWN RELAY	TIMED GROUND: 0V	12V
LB90	IN	POWER GROUND	GROUND	GROUND



FIG 1



FIG 2



FIG 3

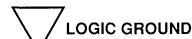


FIG 4



COMPONENTS

DESCRIPTION	LOCATION	ACCESS
BLOWER—LEFT	INTERIOR FRONT BULKHEAD	LEFT DASH UNDER PANEL
BLOWER—RIGHT	INTERIOR FRONT BULKHEAD	RIGHT UNDER DASH PANEL
CENTRAL MICROPROCESSOR	BEHIND GLOVE BOX	UNDER DASH PANEL, RIGHT
CLIMATE CONTROL MICROPROCESSOR	AC UNIT, RIGHT SIDE	RIGHT UNDER DASH PANEL
AC CONTROL PANEL	CENTER CONSOLE	CONSOLE SKI SLOPE PANEL
COOLANT TEMP SWITCH	HEATER CORE PIPE, LEFT SIDE	LEFT UNDER DASH PANEL
DIODE—LBD7	BEHIND DASH GLOVE BOX	DASH GLOVE BOX ASSEMBLY
FEEDBACK POTENTIOMETER—LOWER	AC UNIT, LEFT SIDE	LEFT UNDER DASH PANEL
FEEDBACK POTENTIOMETER—UPPER	AC UNIT, LEFT SIDE	INSTRUMENT PACK
RELAY—A/C AND RADIO (LB16)	COMPONENT PANEL	RIGHT DASH UNDER PANEL
SENSOR—EVAPORATOR TEMP	EVAPORATOR CORE	RIGHT BLOWER OUTPUT DUCT
SENSOR—IN-CAR TEMP	ABOVE DASH GLOVE BOX	DASH GLOVE BOX ASSEMBLY
SENSOR—SOLAR	DASHBOARD, ABOVE, CENTER	SENSOR PANEL
SERVO—LOWER	AC UNIT, RIGHT SIDE	RIGHT DASH UNDER PANEL
SERVO—UPPER	AC UNIT, RIGHT SIDE	DASH GLOVE BOX ASSEMBLY
SOLENOID VALVE—CENTER VENT	AC UNIT, BELOW, RIGHT	RIGHT DASH UNDER PANEL
SOLENOID VALVE—COOLANT	AC UNIT, BELOW, LEFT	LEFT DASH UNDER PANEL
SOLENOID VALVE—DEFROST	AC UNIT, BELOW, RIGHT	RIGHT DASH UNDER PANEL
SOLENOID VALVE—RECIRCULATION	AC UNIT, BELOW, LEFT	LEFT DASH UNDER PANEL

CONNECTORS

CODE	DESCRIPTION	LOCATION / INTERFACE	CODE	DESCRIPTION	LOCATION / INTERFACE
AC1	24-WAY PMHD (YELLOW)	CENTER CONSOLE / AC CONTROL PANEL	AC18	250 BLADE RECEPTACLE	UNDER LH SIDE OF AC UNIT / WATER VALVE VAC SOLENOID
AC2	15-WAY SOCKET	RIGHT DASH UNDER PANEL / AC ECM	AC19	250 BLADE RECEPTACLE	UNDER LH SIDE OF AC UNIT / WATER VALVE VAC SOLENOID
AC3	15-WAY SOCKET	RIGHT DASH UNDER PANEL / AC ECM	AC21	250 BLADE RECEPTACLE	UNDER RH SIDE OF AC UNIT / CENTER VENT VAC SOLENOID
AC4	15-WAY SOCKET	RIGHT DASH UNDER PANEL / AC ECM	AC22	250 BLADE RECEPTACLE	UNDER RH SIDE OF AC UNIT / CENTER VENT VAC SOLENOID
AC5	5-WAY SOCKET (BLACK)	LEFT DASH UNDER PANEL / LEFT BLOWER	AC23	250 BLADE RECEPTACLE	UNDER RH SIDE OF AC UNIT / DEFROST VAC SOLENOID
AC6	8-WAY SOCKET (BLACK)	RIGHT DASH UNDER PANEL / RIGHT BLOWER	AC24	250 BLADE RECEPTACLE	UNDER RH SIDE OF AC UNIT / DEFROST VAC SOLENOID
AC7	3-WAY SOCKET (BLACK)	GLOVE BOX ACCESS PANEL / IN-CAR SENSOR	LB12	3-WAY PM4 (BLACK)	RIGHT DASH UNDER PANEL / CPU
AC8	3-WAY SOCKET (BLACK)	RIGHT SIDE OF AC UNIT / SOLAR SENSOR	LB13	36-WAY PMHD (BLACK)	RIGHT DASH UNDER PANEL / CPU
AC9	3-WAY SOCKET (BLACK)	RIGHT SIDE OF AC UNIT / EVAPORATOR SENSOR	LB14	36-WAY PMHD (YELLOW)	RIGHT DASH UNDER PANEL / CPU
AC10	3-WAY SOCKET (BLACK)	LEFT UPPER SIDE OF AC UNIT / UPPER FLAP FEEDBACK POT	LB16	RELAY BASE (BLACK)	RIGHT DASH UNDER PANEL / AC AND RADIO RELAY
AC11	3-WAY SOCKET (BLACK)	LEFT LOWER SIDE OF AC UNIT / LOWER FLAP FEEDBACK POT	LB25	3-WAY PM4 (BLACK)	RIGHT DASH UNDER PANEL, BEHIND CPU / RIGHT BLOWER
AC12	2-WAY SOCKET (BLACK)	RIGHT LOWER SIDE AC UNIT / LOWER SERVO	LB29	3-WAY PM4 (BLACK)	LEFT DASH UNDER PANEL / LEFT BLOWER
AC13	2-WAY SOCKET (BLACK)	RIGHT UPPER AC UNIT (REMOVE INST PACK) / UPPER SERVO	LB66	15-WAY PMHD (BLACK)	CENTER CONSOLE, AC CONTROL PANEL / AC HARNESS
AC14	250 BLADE RECEPTACLE	LEFT SIDE OF AC UNIT / COOLANT TEMP SWITCH	LB90	EYELET	PASSENGER FOOTWELL, 'A' POST / CPU GROUND
AC16	250 BLADE RECEPTACLE	UNDER LH SIDE OF AC UNIT / RECIRC VACUUM SOLENOID	SD1		
AC17	250 BLADE RECEPTACLE	UNDER LH SIDE OF AC UNIT / RECIRC VACUUM SOLENOID			

GROUND

CODE	DESCRIPTION	LOCATION / INTERFACE
LBG73	EYELET	CENTER CONSOLE ASHTRAY / POWER GROUND
LBG75	EYELET	BULKHEAD, BEHIND LEFT BLOWER AIR DUCT / POWER GROUND

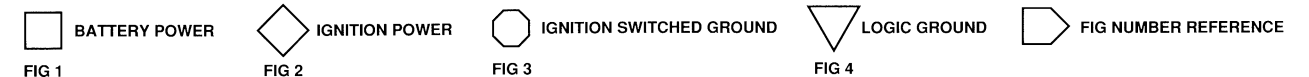
INPUTS / OUTPUTS

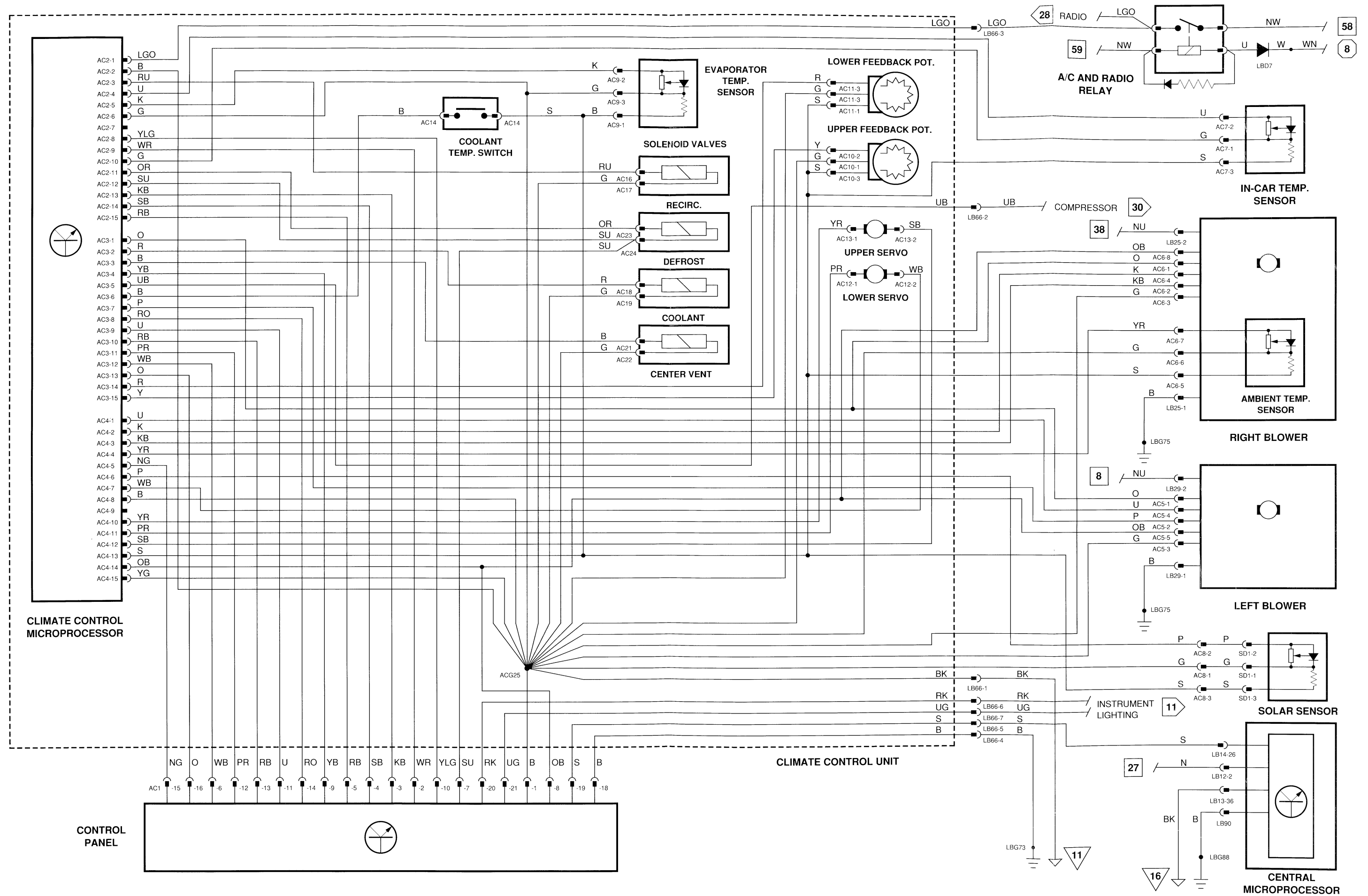
BLOWER—LEFT			BLOWER—RIGHT			CENTRAL MICROPROCESSOR			CLIMATE CONTROL MICROPROCESSOR					
CODE	IN / OUT	CIRCUIT	CODE	IN / OUT	CIRCUIT	CODE	IN / OUT	CIRCUIT	CODE	IN / OUT	CIRCUIT	CODE	IN / OUT	CIRCUIT
AC3-3	OUT	CENTER VENT VACUUM SOLENOID	AC5-1	IN	HIGH SPEED RELAY PULL-IN	AC6-1	IN	HIGH SPEED RELAY PULL-IN	AC2-1	IN	IGNITION SWITCHED POWER	AC2-1	IN	IGNITION SWITCHED POWER
AC3-4	IN	"MANUAL" INPUT FROM CONTROL PANEL	AC5-2	OUT	BLOWER SPEED FEEDBACK	AC6-2	OUT	BLOWER SPEED FEEDBACK	AC2-2	IN	POWER GROUND	AC2-2	IN	POWER GROUND
AC3-5	OUT	AC COMPRESSOR CLUTCH RELAY	AC5-3	IN	SENSOR GROUND	AC6-3	IN	SENSOR GROUND	AC2-3	OUT	RECIRCULATION FLAP VACUUM SOLENOID	AC2-3	OUT	RECIRCULATION FLAP VACUUM SOLENOID
AC3-6	IN	COOLANT TEMPERATURE SWITCH	AC5-4	IN	BLOWER SPEED CONTROL	AC6-4	IN	BLOWER SPEED CONTROL	AC2-4	IN	IN-CAR SENSOR	AC2-4	IN	IN-CAR SENSOR
AC3-7	IN	LEFT BLOWER SPEED FEEDBACK	AC5-5	IN	ON-OFF SIGNAL	AC6-5	IN	SENSOR VOLTAGE INPUT	AC2-5	IN	EVAPORATOR SENSOR	AC2-5	IN	EVAPORATOR SENSOR
AC3-8	IN	"ECON" INPUT FROM CONTROL PANEL	LB29-1	IN	POWER GROUND	AC6-6	IN	SENSOR GROUND	AC2-6	IN	POWER GROUND	AC2-6	IN	POWER GROUND
AC3-9	IN	"NO DROPS" INPUT FROM CONTROL PANEL	LB29-2	IN	BATTERY POWER	AC6-7	OUT	AMBIENT TEMP SENSOR	AC2-7	IN	NOT USED	AC2-7	IN	NOT USED
AC3-10	IN	"1 DROP" INPUT FROM CONTROL PANEL				AC6-8	IN	ON-OFF SIGNAL	AC2-8	IN	"AIR" INPUT FROM CONTROL PANEL	AC2-8	IN	"AIR" INPUT FROM CONTROL PANEL
AC3-11	IN	"2 DROPS" INPUT FROM CONTROL PANEL				LB25-1	IN	POWER GROUND	AC2-9	IN	"OFF" INPUT FROM CONTROL PANEL	AC2-9	IN	"OFF" INPUT FROM CONTROL PANEL
AC3-12	IN	"DEF" INPUT FROM CONTROL PANEL				LB25-2	IN	BATTERY POWER	AC2-10	IN	POWER GROUND	AC2-10	IN	POWER GROUND
AC3-13	IN	"FACE TEMP" INPUT FROM CONTROL PANEL							AC2-11	OUT	DEFROST FLAP VACUUM SOLENOID	AC2-11	OUT	DEFROST FLAP VACUUM SOLENOID
AC3-14	IN	LOWER FLAP FEEDBACK POT							AC2-12	IN	IGNITION SWITCHED POWER THROUGH CONTROL PANEL	AC2-12	IN	IGNITION SWITCHED POWER THROUGH CONTROL PANEL
AC3-15	IN	UPPER FLAP FEEDBACK POT							AC2-13	IN	"LOW" INPUT FROM CONTROL PANEL	AC2-13	IN	"LOW" INPUT FROM CONTROL PANEL
AC4-1	OUT	LEFT BLOWER SPEED CONTROL							AC2-14	IN	"NORM" INPUT FROM CONTROL PANEL	AC2-14	IN	"NORM" INPUT FROM CONTROL PANEL
AC4-2	OUT	RIGHT BLOWER SPEED CONTROL							AC2-15	IN	"HIGH" INPUT FROM CONTROL PANEL	AC2-15	IN	"HIGH" INPUT FROM CONTROL PANEL
AC4-3	IN	RIGHT BLOWER FEEDBACK							AC3-1	OUT	HIGH SPEED RELAYS	AC3-1	OUT	HIGH SPEED RELAYS
AC4-4	IN	AMBIENT TEMPERATURE SENSOR							AC3-2	OUT	COOLANT VALVE VACUUM SOLENOID	AC3-2	OUT	COOLANT VALVE VACUUM SOLENOID
AC4-5	IN	TEMPERATURE DEMAND INPUT FROM CONTROL PANEL												
AC4-6	IN	SOLAR LOAD SENSOR												
AC4-7	OUT	LOWER SERVO DRIVE												
AC4-8	IN	POWER GROUND												
AC4-9	NOT USED	DRIVE: ±7V												
AC4-10	OUT	UPPER SERVO DRIVE												
AC4-11	OUT	LOWER SERVO DRIVE												
AC4-12	OUT	UPPER SERVO DRIVE												
AC4-13	OUT	VOLTAGE SUPPLY TO SENSORS												
AC4-14	IN	ON-OFF INPUT FROM CONTROL PANEL												
AC4-15	IN	POWER GROUND												

CODE	IN / OUT	CIRCUIT	ACTIVE	INACTIVE
AC3-3	OUT	CENTER VENT VACUUM SOLENOID	VENT OPEN: 12V	VENT CLOSED: 0V
AC3-4	IN	"MANUAL" INPUT FROM CONTROL PANEL	MANUAL: GROUND	AUTO: 4V
AC3-5	OUT	AC COMPRESSOR CLUTCH RELAY	12V	0V
AC3-6	IN	COOLANT TEMPERATURE SWITCH	ABOVE 40°C: 5V	BELOW 40°C: 0V
AC3-7	IN	LEFT BLOWER SPEED FEEDBACK	LOW: 10V, MED: 9V, HIGH: 1V	
AC3-8	IN	"ECON" INPUT FROM CONTROL PANEL	GROUND	4V
AC3-9	IN	"NO DROPS" INPUT FROM CONTROL PANEL	GROUND	4V
AC3-10	IN	"1 DROP" INPUT FROM CONTROL PANEL	GROUND	4V
AC3-11	IN	"2 DROPS" INPUT FROM CONTROL PANEL	GROUND	4V
AC3-12	IN	"DEF" INPUT FROM CONTROL PANEL	GROUND	4V
AC3-13	IN	"FACE TEMP" INPUT FROM CONTROL PANEL	COOL: 0V, WARM: 2 885V	
AC3-14	IN	LOWER FLAP FEEDBACK POT	FULL COOL: 1V, FULL HOT: 1 1V, DEF: 2 9V	
AC3-15	IN	UPPER FLAP FEEDBACK POT	FULL COOL: 1V, FULL HOT: 1.9V, DEF: 1 9V	
AC4-1	OUT	LEFT BLOWER SPEED CONTROL	LOW: 1-2V, NORM: INCREASED V, HIGH: APPROX. 1V	
AC4-2	OUT	RIGHT BLOWER SPEED CONTROL	LOW: 1-2V, NORM: INCREASED V, HIGH: APPROX. 1V	
AC4-3	IN	RIGHT BLOWER FEEDBACK	LOW: 10V, NORM: 9V, HIGH: 1V	
AC4-4	IN	AMBIENT TEMPERATURE SENSOR	2 93V @ 20°C	SYSTEM OFF: 0V
AC4-5	IN	TEMPERATURE DEMAND INPUT FROM CONTROL PANEL	FULL HOT: 2 885V, FULL COLD: 0V	
AC4-6	IN	SOLAR LOAD SENSOR	MAX. LIGHT: 2 885V	DARK: 0V
AC4-7	OUT	LOWER SERVO DRIVE	DRIVE: ±7V	NO DRIVE: 0V
AC4-8	IN	POWER GROUND	GROUND	GROUND
AC4-9	NOT USED	DRIVE: ±7V	NO DRIVE: 0V	
AC4-10	OUT	UPPER SERVO DRIVE	DRIVE: ±7V	NO DRIVE: 0V
AC4-11	OUT	LOWER SERVO DRIVE	DRIVE: ±7V	NO DRIVE: 0V
AC4-12	OUT	UPPER SERVO DRIVE	DRIVE: ±7V	NO DRIVE: 0V
AC4-13	OUT	VOLTAGE SUPPLY TO SENSORS	SYSTEM ON: 5V	SYSTEM OFF: 0V
AC4-14	IN	ON-OFF INPUT FROM CONTROL PANEL	12V	0V
AC4-15	IN	POWER GROUND	GROUND	GROUND

CODE	IN / OUT	CIRCUIT	ACTIVE	INACTIVE
AC1-1	IN	POWER GROUND	GROUND	GROUND
AC1-2	OUT	SIGNAL TO ECU	ON: 12V	OFF: GROUND
AC1-3	OUT	"LOW" SIGNAL TO ECU	GROUND	4V
AC1-4	OUT	"NORM" SIGNAL TO ECU	GROUND	4V
AC1-5	OUT	"HIGH" SIGNAL TO ECU	GROUND	4V
AC1-6	OUT	"DEF" SIGNAL TO ECU	GROUND	4V
AC1-7	IN	IGNITION SWITCHED POWER THROUGH ECU	IGNITION ON: 12V	IGNITION OFF: 0V
AC1-8	OUT	"DEF" SIGNAL TO ECU	GROUND	4V
AC1-9	OUT	"MANUAL" SIGNAL TO ECU	GROUND	4V
AC1-10	OUT	"AIR" SIGNAL TO ECU	GROUND	4V
AC1-11	OUT	"NO DROPS" SIGNAL TO ECU	GROUND	4V
AC1-12	OUT	"2 DROPS" SIGNAL TO ECU	GROUND	4V
AC1-13	OUT	"1 DROP" SIGNAL TO ECU	GROUND	4V
AC1-14	OUT	"ECON" SIGNAL TO ECU	GROUND	4V
AC1-15	OUT	TEMPERATURE DEMAND SIGNAL TO ECU	FULL HOT: 2 885V, FULL COLD: 0V	
AC1-16	OUT	"FACE TEMP" SIGNAL TO ECU	FULL HOT: 2 885V, FULL COOL: 0V	
AC1-18	IN	ILLUMINATION GROUND	GROUND	GROUND
AC1-19	IN	5V POWER SUPPLY FROM CPU	5V	GROUND
AC1-20	IN	LOCATE ILLUMINATION	DIMMER OUTPUT: 4 5-12V	0V
AC1-21	IN	AUXILIARY SIDE LIGHT RELAY	LIGHTS ON: GROUND	LIGHTS OFF: 12V

CONTINUED AT LEFT ON FOLD-OUT





COMPONENTS

DESCRIPTION

DIODE—RSD1
 DIODE—RSD2
 DIODE—RSD3
 COMPRESSOR CLUTCH
 COOLING FAN
 HIGH SIDE LOW PRESSURE SWITCH
 RELAY—COMPRESSOR CLUTCH (RS2)
 RELAY—COOLING FAN (RS3)
 THERMAL CUT-OUT SWITCH

LOCATION

BELOW RIGHT FRONT CRUSH TUBE
 BELOW RIGHT FRONT CRUSH TUBE
 RIGHT HEADLIGHT CAVITY
 AC COMPRESSOR
 AHEAD OF RADIATOR
 AC COMPRESSOR, REAR
 RIGHT RADIATOR SUPPORT
 RIGHT RADIATOR SUPPORT
 RADIATOR, LOWER RIGHT

ACCESS

ENGINE COMPARTMENT BELOW, RIGHT
 ENGINE COMPARTMENT BELOW, RIGHT
 ENGINE COMPARTMENT, LEFT
 ENGINE, LOWER RIGHT
 FRONT BUMPER AND GRILLE
 ENGINE COMPARTMENT
 ENGINE COMPARTMENT
 ENGINE COMPARTMENT
 RADIATOR, BELOW

CONNECTORS

CODE

RS2 RELAY BASE (GREEN)
 RS3 RELAY BASE (BLACK)
 RS10 2-WAY PM4 (BLUE)
 RS74 2-WAY PM4 (BLUE)
 RS76 250 BLADE RECEPTACLE
 RS77 250 BLADE RECEPTACLE
 RS78 2-WAY PM4 (GREEN)

LOCATION / INTERFACE

RIGHT RADIATOR SUPPORT / AC CLUTCH RELAY
 RIGHT RADIATOR SUPPORT / COOLING FAN RELAY
 RADIATOR, RIGHT SIDE, BELOW / COOLING FAN THERMAL SWITCH
 BEHIND FRONT VALANCE / COOLING FAN
 AC COMPRESSOR / THERMAL CUT-OUT
 AC COMPRESSOR / THERMAL CUT-OUT
 ENGINE COMPARTMENT, RIGHT / AC COMPRESSOR CLUTCH

GROUNDINGS

CODE

RSG53 EYELET
 RSG55 EYELET

LOCATION / INTERFACE

ENGINE COMPARTMENT, RIGHT FRONT / POWER GROUND
 BEHIND TRUNK TRIM PANEL, RIGHT REAR / POWER GROUND



FIG 1



FIG 2

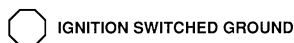


FIG 3

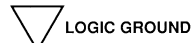
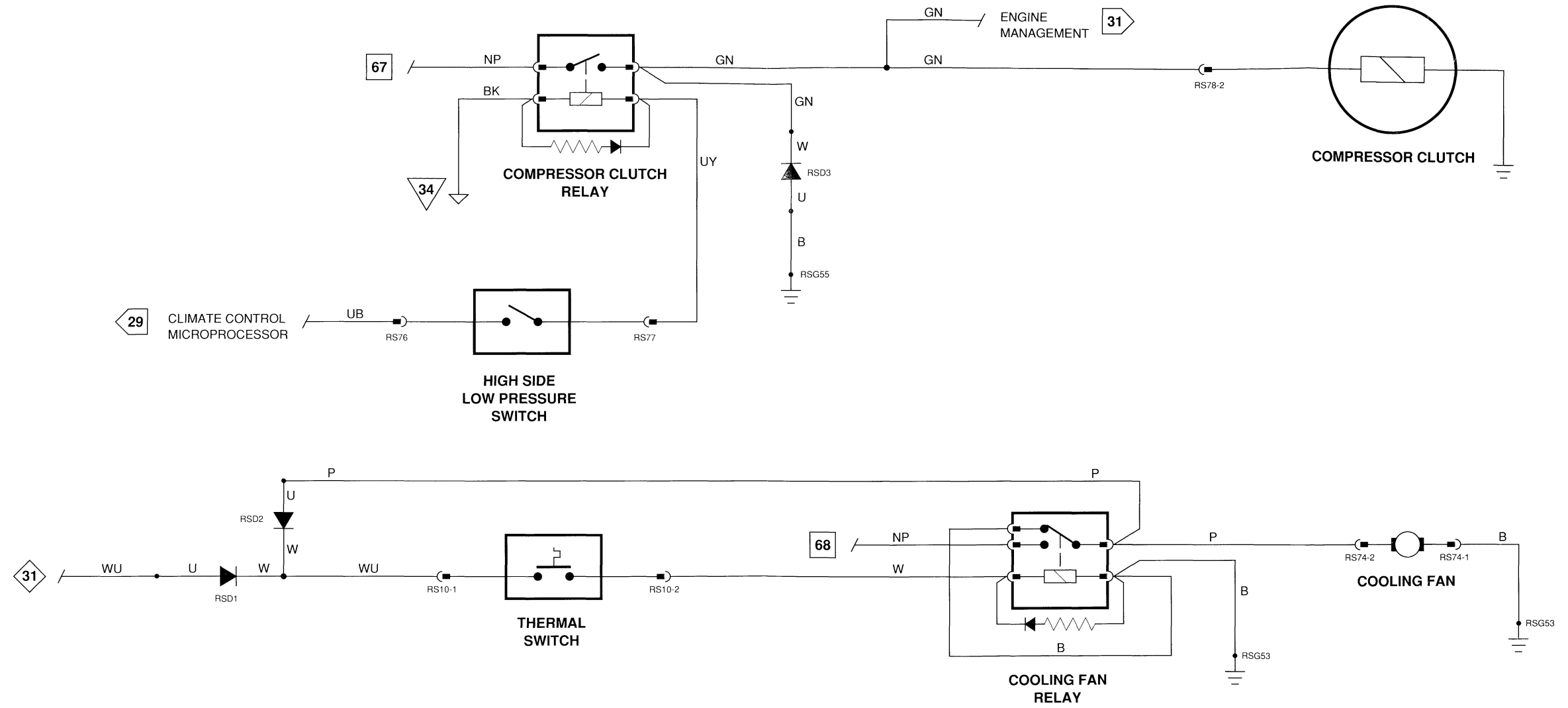


FIG 4





COMPONENTS

DESCRIPTION

AIR MASS METER
 AIR PUMP
 AMPLIFIER
 DIODE—LSD7
 ENGINE MANAGEMENT ECU
 FUEL INJECTORS
 FUEL PUMP
 IDLE SPEED ACTUATOR
 IGNITION COIL
 LINEAR GEAR POSITION SWITCHES
 RELAY—AIR PUMP (LS33)
 RELAY—FUEL PUMP (LI5)
 RELAY—MAIN (LI4)
 SENSOR—AIR TEMP.
 SENSOR—COOLANT TEMP
 SENSOR—CRANKSHAFT
 SENSOR—OXYGEN
 SOLENOID VALVE
 SUPPLEMENTARY AIR VALVE
 THROTTLE POTENTIOMETER

LOCATION

ENGINE COMPARTMENT, LEFT FRONT
 ENGINE, LEFT FRONT
 INBOARD OF RIGHT FRONT INNER FENDER
 LEFT RADIATOR SUPPORT
 PASSENGER FOOTWELL
 INLET MANIFOLD, ABOVE
 REAR SUBFRAME, LEFT
 INLET MANIFOLD, CYLINDERS 2,3, TOP
 INBOARD OF RIGHT FRONT INNER FENDER
 'J' GATE
 LEFT RADIATOR SUPPORT
 COMPONENT PANEL
 COMPONENT PANEL
 AIR INTAKE ELBOW
 THERMOSTAT HOUSING
 ENGINE FRONT COVER
 FRONT, CATALYTIC CONVERTER
 INLET MANIFOLD, CYLINDER 1
 OUTBOARD OF INLET MANIFOLD, CYLINDERS 2,3, LEFT
 BELOW THROTTLE BODY

ACCESS

ENGINE COMPARTMENT
 ENGINE COMPARTMENT
 ENGINE COMPARTMENT
 ENGINE COMPARTMENT
 RIGHT DASH UNDER PANEL
 ENGINE COMPARTMENT, LEFT
 REAR SUBFRAME, BELOW
 ENGINE COMPARTMENT
 ENGINE COMPARTMENT
 CONSOLE SKI SLOPE PANEL
 ENGINE COMPARTMENT
 RIGHT DASH UNDER PANEL
 RIGHT DASH UNDER PANEL
 ENGINE COMPARTMENT, LEFT
 LEFT, FRONT OF CYLINDER HEAD
 ENGINE COMPARTMENT, ABOVE
 ENGINE COMPARTMENT, RIGHT
 ENGINE COMPARTMENT, LEFT
 ENGINE COMPARTMENT, LEFT
 ENGINE COMPARTMENT, LEFT

CONNECTORS

CODE DESCRIPTION

FP1 EYELET
 FP2 EYELET
 LB27 6-WAY PMHD (YELLOW)
 LB28 6-WAY PM4 (YELLOW)
 LB35 15-WAY PMHD (GREEN)
 LI2 25-WAY AMP SOCK (BLACK)
 LI3 25-WAY AMP SOCK (BLACK)
 LI4 RELAY BASE (RED)
 LI5 RELAY BASE (YELLOW)
 LI6 6-WAY PM4 (BLACK)
 LI8 2-WAY RWC SOCKET (GREY)
 LI9 2-WAY RWC SOCKET (GREY)
 LI10 2-WAY RWC SOCKET (GREY)
 LI11 2-WAY RWC SOCKET (GREY)
 LI12 2-WAY RWC SOCKET (GREY)
 LI13 2-WAY RWC SOCKET (GREY)
 LI14 SPADE (WHITE)
 LI15 3-WAY PM4 (BLUE)
 LI16 3-WAY PM4 (YELLOW)

LOCATION / INTERFACE

REAR SUBFRAME, LEFT / FUEL PUMP
 REAR SUBFRAME, LEFT / FUEL PUMP
 RIGHT DASH UNDER PANEL / LI HARNESS
 RIGHT DASH UNDER PANEL / LI HARNESS
 CENTER CONSOLE / LINEAR GEAR SWITCH
 RIGHT DASH UNDER PANEL / ECU
 RIGHT DASH UNDER PANEL / ECU
 RIGHT DASH UNDER PANEL / MAIN RELAY
 RIGHT DASH UNDER PANEL / FUEL PUMP RELAY
 RIGHT DASH UNDER PANEL / SERIAL OUTPUT
 ENGINE COMPARTMENT / INJECTOR 6
 ENGINE COMPARTMENT / INJECTOR 5
 ENGINE COMPARTMENT / INJECTOR 4
 ENGINE COMPARTMENT / INJECTOR 3
 ENGINE COMPARTMENT / INJECTOR 2
 ENGINE COMPARTMENT / INJECTOR 1
 ENGINE COMPARTMENT, RIGHT / LAMBDA SENSOR
 UNDER AIR MASS METER / THROTTLE POT
 INLET MANIFOLD, LEFT FRONT / SUPPLEMENTARY AIR VALVE

CODE DESCRIPTION

LI17 4-WAY PACKARD PLUG (BLK)
 LI18 6-WAY PM4 (YELLOW)
 LI19 6-WAY BOSCH SOCKET (BLK)
 LI20 2-WAY BOSCH SOCKET (BLK)
 LI21 3-WAY PM4 (BLACK)
 LI22 3-WAY PM4 (BLACK)
 LI25 7-WAY BOSCH SOCKET (BLK)
 LI26 EYELET (RED)
 LI27 EYELET (BLACK)
 LI33 EYELET
 LI37 2-WAY BOSCH SOCKET (BLK)
 LI39 2-WAY BOSCH SOCKET
 LI41 3-WAY ECONOSEAL (BLACK)
 LI42 2-WAY BOSCH SOCKET (BLK)
 LS1 36-WAY PMHD (BLACK)
 LS3 9-WAY PM4 (BLACK)
 LS33 RELAY BASE (GREEN)
 RS7 9-WAY PM4 (YELLOW)

LOCATION / INTERFACE

INLET MANIFOLD, CYL 2,3, TOP / IDLE SPEED ACTUATOR
 UNDER AIR CLEANER HOUSING / LS HARNESS
 ENGINE COMPARTMENT, LEFT / AIR MASS METER
 THERMOSTAT HOUSING / COOLANT TEMP SENSOR
 ENGINE, FRONT / ENGINE SPEED SENSOR
 ENGINE, LEFT FRONT / AIR PUMP CLUTCH
 ENGINE COMPARTMENT, RIGHT / IGNITION AMPLIFIER
 ENGINE COMPARTMENT, RIGHT / IGNITION COIL
 ENGINE COMPARTMENT, RIGHT / IGNITION COIL
 AIR MASS METER STUD / POWER GROUND
 ENGINE COMPARTMENT / LAMBDA SENSOR HEATER
 ENGINE, LEFT FRONT / VACUUM SOLENOID VALVE
 BATTERY TRAY, LEFT SIDE / FEEDBACK MONITOR
 AIR INTAKE ELBOW / AIR TEMP. SENSOR
 LEFT 'A' POST, UNDER DASH PANEL / LB HARNESS
 LEFT 'A' POST, UNDER DASH PANEL / LB HARNESS
 LEFT RADIATOR SUPPORT / AIR PUMP RELAY
 ENGINE COMPARTMENT, ABOVE IGNITION COIL / LI HARNESS

GROUNDS

CODE DESCRIPTION

LBG72 EYELET
 LIG30 EYELET
 LIG31 EYELET

LOCATION / INTERFACE

DRIVER FOOTWELL, LEFT 'A' POST / POWER GROUND
 ENGINE COMPARTMENT BULKHEAD, RIGHT / POWER GROUND
 ENGINE COMPARTMENT BULKHEAD, RIGHT / POWER GROUND

CODE DESCRIPTION

LIG32 EYELET
 LSG37 EYELET

LOCATION / INTERFACE

INLET MANIFOLD, #2 CYLINDER FIRING STUD / POWER GROUND
 ENGINE COMPARTMENT, LEFT FRONT / POWER GROUND

INPUTS / OUTPUTS

AIR MASS METER

CODE	IN / OUT	CIRCUIT
LI19-1	IN	TRANSDUCER GROUND
LI19-2	IN	TRANSDUCER GROUND
LI19-3	OUT	LOAD SIGNAL
LI19-5	IN	IGNITION ON POWER
LI19-6	OUT	IDLE TRIM ADJUSTMENT
LI33	IN	POWER GROUND

ACTIVE
GROUND
GROUND
IDLE IN "N": APPROX 1.4V
12V
ADJUSTMENT RANGE: 0-5V
GROUND

INACTIVE
GROUND
GROUND
KEY ON, ENGINE OFF: LESS THAN 1V
0V
KEY OFF: 0V
GROUND

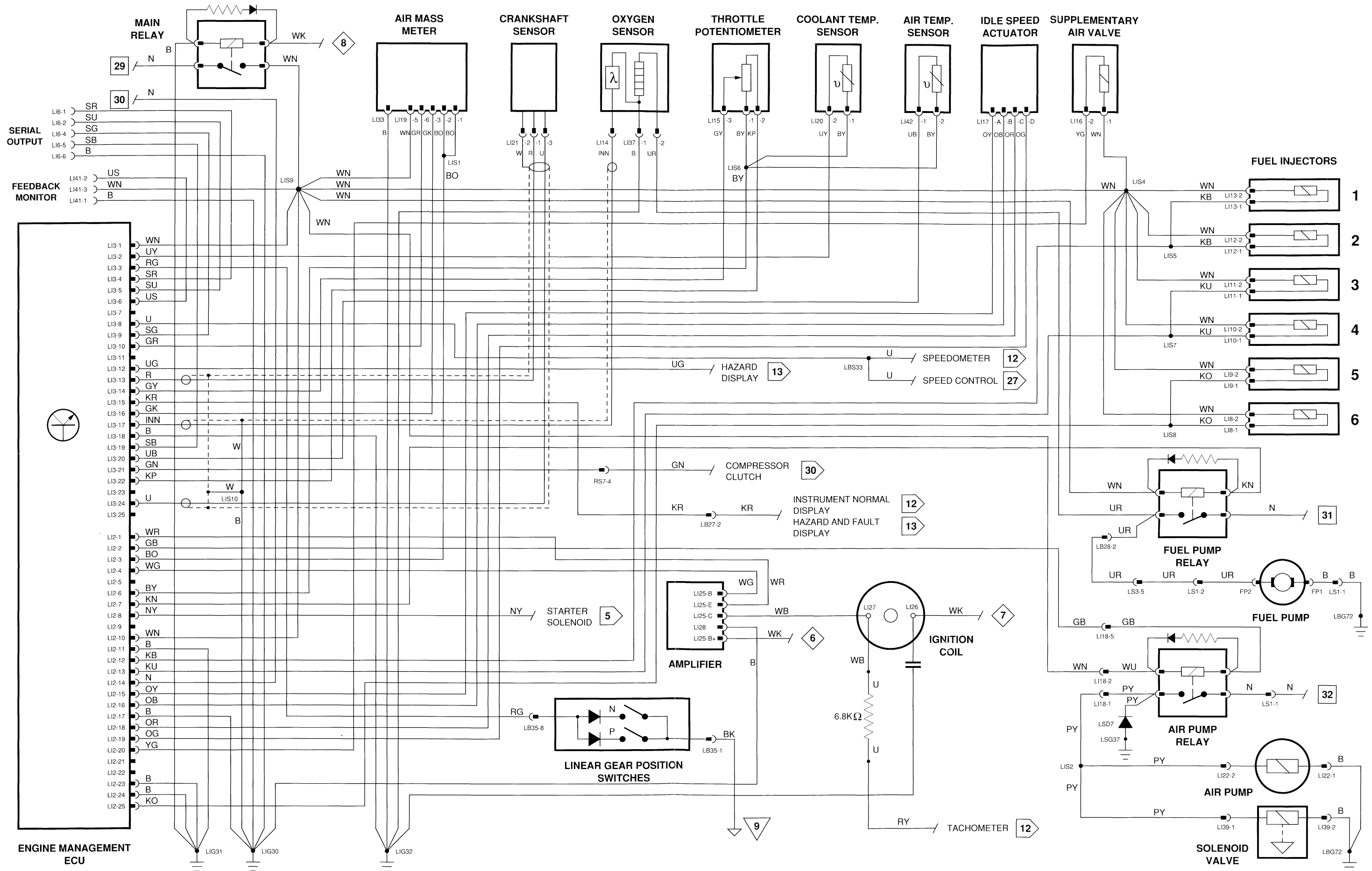
ENGINE MANAGEMENT ECU

CODE	IN / OUT	CIRCUIT
LI2-1	OUT	IGNITION DRIVE
LI2-2	OUT	AIR PUMP RELAY
LI2-3	OUT	AIR MASS METER
LI2-4	OUT	IGNITION AMPLIFIER
LI2-6	OUT	SENSOR GROUND
LI2-7	OUT	FUEL PUMP RELAY
LI2-8	IN	STARTER SOLENOID
LI2-10	IN	IGNITION ON SUPPLY
LI2-11	IN	POWER GROUND
LI2-12	OUT	INJECTORS 1-2
LI2-13	OUT	INJECTORS 3-4
LI2-14	IN	BATTERY POWER
LI2-15	OUT	IDLE SPEED ACTUATOR
LI2-16	OUT	IDLE SPEED ACTUATOR
LI2-17	IN	POWER GROUND
LI2-18	OUT	IDLE SPEED ACTUATOR
LI2-19	OUT	IDLE SPEED ACTUATOR
LI2-20	OUT	SUPPLEMENTARY AIR VALVE
LI2-23	IN	POWER GROUND
LI2-24	IN	SIGNAL GROUND
LI2-25	OUT	INJECTORS 5-6
LI13-1	IN	BATTERY VOLTAGE CHECK AND IGNITION SENSOR
LI13-2	IN	COOLANT TEMP. SENSOR
LI13-3	IN	LINEAR GEAR SWITCH
LI13-4	OUT	LI6 SERIAL OUTPUT
LI13-5	OUT	LI6 SERIAL OUTPUT
LI13-6	OUT	FEEDBACK MONITOR
LI13-8	OUT	ROAD SPEED SIGNAL
LI13-9	OUT	LI6 SERIAL OUTPUT
LI13-10	IN	IDLE TRIM ADJUSTMENT
LI13-12	OUT	CHECK ENGINE SIGNAL TO VCM
LI13-13	IN	CRANKSHAFT SENSOR REF. TO PIN 24
LI13-14	IN	THROTTLE POT WIPER
LI13-15	OUT	FUEL USE AND FAILURE CODE
LI13-16	IN	AIR MASS METER LOAD
LI13-17	IN	LAMBDA SENSOR
LI13-18	IN	POWER GROUND
LI13-19	OUT	LI6 SERIAL OUTPUT
LI13-20	IN	AIR TEMP. SENSOR
LI13-21	IN	AC COMPRESSOR CLUTCH
LI13-22	OUT	THROTTLE POT. POWER
LI13-24	IN	CRANKSHAFT SENSOR REF. TO PIN 13

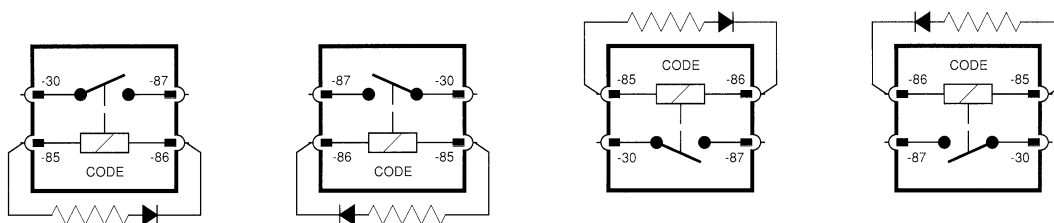
ACTIVE
PULSED SIGNAL APPROX 0.6V @ IDLE
GROUND: 0V
GROUND: 0V
KEY ON: 5V
GROUND: 0V
GROUND: 0V
12V
OPEN CIRCUIT: 0V
0V
GROUND
PULSED SIGNAL
PULSED SIGNAL
PULSED SIGNAL
12V
12V
12V
12V
PULSED SIGNAL
PULSED SIGNAL
PULSED SIGNAL
GROUND: 0V
GROUND
GROUND: 0V
PULSED SIGNAL
12V
12V
SENSED VOLTAGE: APPROX 2.06V @ 30°C
"P" AND "N": GROUND
0-5V
PULSED SIGNAL
ADJUSTMENT RANGE: 0-5V
GROUND, 0V
PULSED SIGNAL: 2.4 V A.C. @ IDLE, 5 V A.C. @ 3000 RPM
240 mV TO 4.9V
SIGNAL
IDLE IN "N": APPROX. 1.4V
0-1V SWING
GROUND
SENSED VOLTAGE APPROX 2.32V @ 24°C
12V
5V
GROUND: 0V

INACTIVE
0V
12V
GROUND: 0V
KEY OFF: 0V
GROUND: 0V
12V
OPEN CIRCUIT: 0V
0V
GROUND
12V
12V
12V
KEY ON, ENGINE OFF: 10V
KEY ON, ENGINE OFF: LESS THAN 1V
GROUND
KEY ON, ENGINE OFF: 10V
KEY ON, ENGINE OFF: LESS THAN 1V
12V
GROUND
GROUND: 0V
12V
0V
0V
"D", "2", "3", "R": 5V
2.5V
KEY ON AT REST: APPROX 5V
KEY OFF: 0V
12V
CRANKSHAFT SENSOR REF TO PIN 24
0V
0V
KEY ON, ENGINE OFF: LESS THAN 1V
ENGINE OFF: 0V
GROUND
0V
0V
0V
GROUND: 0V

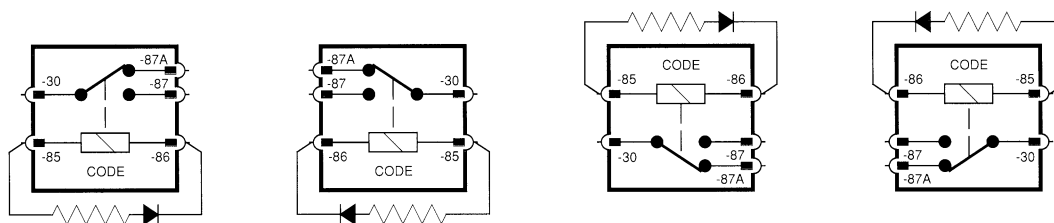




The wiring diagrams were printed without the relay connector codes and pin identifications. The connector codes are included on the data pages as part of the component description. The illustrations below show the two types of relays used in the vehicles and their various arrangements on the diagrams. The pin identifications remain the same regardless of the arrangement. The connector code should appear in the area indicated.



SINGLE CONTACT (FOUR PIN)



CHANGE OVER CONTACT (FIVE PIN)