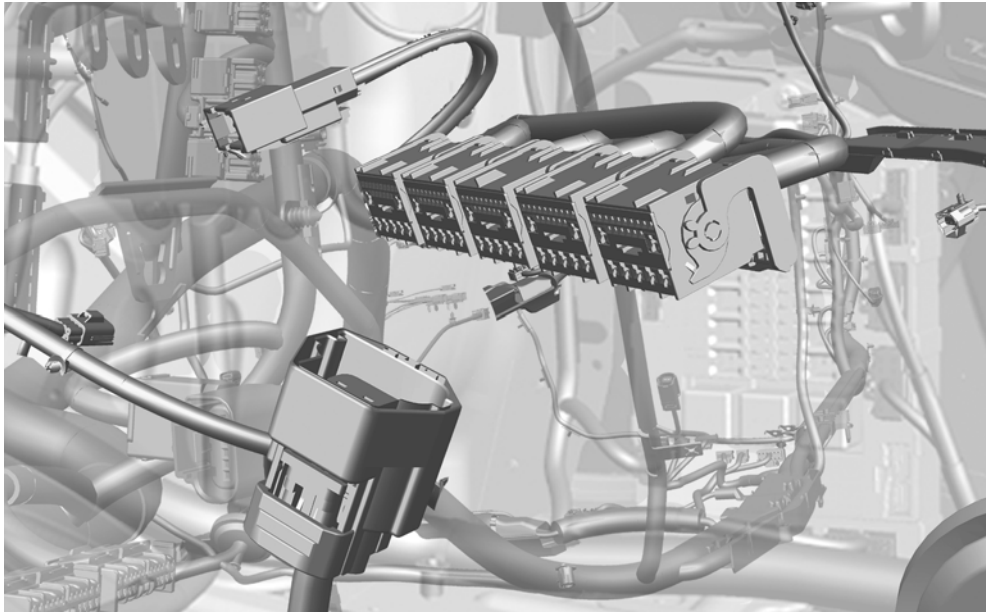




Electrical Wiring Diagrams



XJ
(1a) VIN: V00001 >



BY APPOINTMENT TO
HER MAJESTY QUEEN ELIZABETH II
MANUFACTURERS OF DAIMLER AND JAGUAR CARS
JAGUAR CARS LIMITED COVENTRY



BY APPOINTMENT TO
HIS ROYAL HIGHNESS THE PRINCE OF WALES
MANUFACTURERS OF DAIMLER AND JAGUAR CARS
JAGUAR CARS LIMITED COVENTRY

Electrical Wiring Diagrams

XJ

(1a) VIN: V00001 >

Published by Technical Communications, Jaguar Cars Limited
Publication Part No. JLR 14 97 10_1E

PREFACE

While every effort is made to ensure accuracy, design changes to the vehicle may be made in the period between the completion of this publication and the introduction of vehicles.

All rights reserved. No part of this publication may be reproduced, stored in a retrieval system or transmitted in any form, electronic, mechanical, recording or other means without prior written permission from Jaguar Cars Limited.

Paper copies of this document are uncontrolled, always refer to the electronic source material for the latest information.

© 2010 Jaguar Cars Limited

ABBREVIATIONS

..... ix

USING THIS PUBLICATION

Health and safety x

Using this publication x

Section numbering xi

Understanding the circuit diagrams xi

COMPONENT INDEX follows USING THIS PUBLICATION

CONNECTOR INDEX follows COMPONENT INDEX

204-04 - WHEELS AND TIRES

Tire pressure monitoring system 1

204-05 - VEHICLE DYNAMIC SUSPENSION

Continuously variable damping (CVD) 2

Air suspension 3

Air suspension with CVD 4

Air suspension with CVD 5

205-02 - REAR DRIVE AXLE AND DIFFERENTIAL

Electronic rear differential 6

206-05 - PARKING BRAKE AND ACTUATION

..... 7

206-09 - ANTI-LOCK CONTROL

Dynamic stability control 8

Brake pad wear sensors 9

211-04 - STEERING COLUMN

Steering wheel 10

Steering Column Adjustment 11

303-03 - ENGINE COOLING

Petrol 12

Diesel 13

303-06 - STARTING SYSTEM

Block-heater 14

Petrol - LHD 15

Petrol - RHD 16

Diesel - LHD 17

Diesel - RHD 18

303-14A - ELECTRONIC ENGINE CONTROLS - PETROL

Vehicle interface 19

Sensors - Part 1 20

Sensors - Part 2 21

Sensors - Part 3 22

Sensors - Part 4 23

Sensors - Part 5 24

Actuators - Part 1 25

Actuators - Part 2 26

Actuators - Part 3 27

Actuators - Part 4 28

Emissions - Part 1 29

Emissions - Part 2 30

Coolant pump - PV8SC 31

303-14B - ELECTRONIC ENGINE CONTROLS - DIESEL

Vehicle interface - Part 1	32
Vehicle interface - Part 2	33
Vehicle interface - Part 3	34
Sensors - Part 1	35
Sensors - Part 2	36
Sensors - Part 3	37
Sensors - Part 4	38
Actuators - Part 1	39
Actuators - Part 2	40
Actuators - Part 3	41
Glow plugs	42
Emissions - Part 1	43
Emissions - Part 2	44

307-01 - AUTOMATIC TRANSMISSION

Petrol	45
Diesel	46

310-01 - FUEL TANK AND FUEL LINES

Petrol	47
Diesel	48
Diesel	49

310-03 - SPEED CONTROL

Petrol	50
Diesel	51
Adaptive	52

412-01 - CLIMATE CONTROL

Part 1	53
Part 2	54
Part 3	55
Part 4	56
Rear	57

412-02 - AUXILIARY CLIMATE CONTROL

Windshield heater	58
Rear window heater	59

413-01 - INSTRUMENT CLUSTER

.....	60
-------	----

413-13 - PARKING AID

Front	61
Rear	62
Rear view camera	63

414-01 - BATTERY, MOUNTING AND CABLES

Battery cables - Petrol	64
Battery cables - Diesel	65
Engine junction box	66
Central junction box	70
Rear junction box	87
Ground distribution	90

414-02 - GENERATOR AND REGULATOR

Charging - Petrol	98
Charging - Diesel	99

415-00 - INFORMATION AND ENTERTAINMENT SYSTEM

Part 1	100
Part 2	101
Part 3	102
10-Speaker system (LHD)	103
10-Speaker system (RHD)	104
12-Speaker system (LHD)	105
12-Speaker system (RHD)	106
15-Speaker system (LHD)	107
15-Speaker system (RHD)	108
Digital Audio Broadcasting (DAB)	109
Satellite Digital Audio Radio System (SDARS)	110
Television	111

417-01 - EXTERIOR LIGHTING

Headlamps	112
Headlamps - adaptive front lighting system	113
Side lamps	114
Fog lamps	115
Brake and reverse lamps	116
Turn signal indicators and hazard flashers	117
Turn signal repeaters	118

417-02 - INTERIOR LIGHTING

Map and Courtesy	119
Map and Courtesy	120
Tread plate illumination	121
Doors and Luggage compartment	122
Ambient lighting - Front	123
Switch Illumination	124
Switch Illumination	125
Ambient lighting - Rear	126

418-00 - MODULE COMMUNICATIONS NETWORK

CAN bus - Medium speed - LHD	127
CAN bus - Medium speed - LHD	128
CAN bus - Medium speed - LHD	129
CAN bus - Medium speed - LHD	130
CAN bus - Medium speed - LHD	131
CAN bus - Medium speed - RHD	132
CAN bus - Medium speed - RHD	133
CAN bus - Medium speed - RHD	134
CAN bus - Medium speed - RHD	135
CAN bus - Medium speed - RHD	136
CAN bus - High speed - Part 1	137
CAN bus - High speed - Part 2	138
CAN bus - High speed - Part 3	139
CAN bus - High speed - Part 4	140
MOST - Part 1	141
MOST - Part 2	142
MOST - Part 3	143
MOST - Part 4	144

419-01 - ANTI-THEFT SYSTEM

Part 1	145
Part 2	146
Part 3	147
Passive start	148

419-07 - NAVIGATION SYSTEM

.....	149
-------	-----

419-15 - ELECTRONIC FEATURES MODULES

Glove compartment release	150
---------------------------------	-----

501-09 - REAR VIEW MIRRORS

Electrochromic	151
Mirror Movement	152
Blind spot monitoring (LHD)	153
Blind spot monitoring (RHD)	154

501-10 - SEATING

Driver seat - 12 way memory (LHD)	155
Driver seat - 12 way memory (RHD)	156
Driver seat - 8 way memory (LHD)	157
Driver seat - 8 way memory (RHD)	158
Passenger seat - 12 way memory (LHD)	159
Passenger seat - 12 way memory (RHD)	160
Passenger seat - 8 and 12 way (LHD)	161
Passenger seat - 8 and 12 way (RHD)	162
Climate controlled - Front (LHD)	163
Climate controlled - Front (RHD)	164
Climate controlled - Rear	165
Heated - front	166
Heated - rear	167
Driver seat - Lumbar and bolster control	168
Passenger seat - 2 and 4 way lumbar and bolster control	169
Driver seat - 2 way lumbar only	170
Passenger seat - 2 way lumbar and bolster control	171
Massage - Driver	172
Massage - Passenger	173
Massage - Common	174
Rear	175
Rear	176

501-11 - GLASS, FRAMES AND MECHANISMS

Window lift - front	177
Window lift - rear	178
Rear sunblind	179

501-12 - INSTRUMENT PANEL AND CONSOLE

Switch pack - Instrument panel (center)	180
Switch pack - Instrument panel (center)	181
Accessory socket(s)	182

501-14 - HANDLES, LOCKS, LATCHES AND ENTRY SYSTEMS

Keyless entry - Front (LHD)	183
Keyless entry - Front (RHD)	184
Keyless entry - Rear	185
Front dead locks	186
Rear dead locks	187
Fuel flap	188
Luggage compartment lid release - Part 1	189
Luggage compartment lid release - Part 2	190

501-16 - WIPERS AND WASHERS

.....	191
.....	192

501-17 - ROOF OPENING PANEL

Roof opening panel and roof blinds	193
--	-----

501-20A - SAFETY BELT SYSTEM

.....	194
Retractors	195
Occupancy sensing	196

501-20B - SUPPLEMENTAL RESTRAINT SYSTEM

LHD	197
RHD	198

ABBREVIATIONS

Abbreviation	Description
ABS	Anti-lock braking system
ADRC	Adaptive damping
AFS	Adaptive front lighting system
AMP	Audio amplifier
AUTO	Automatic transmission
AUU	Portable audio interface
BSM	Blind spot monitoring
CAN	Controller area network
CVD	Continuously variable damping
DAB	Digital audio broadcasting
DSC	Dynamic stability control
D4	Diesel engine - Straight-four
DPF	Diesel particulate filter
DV6	Diesel engine - V6
DV8	Diesel engine - V8
EGR	Exhaust gas recirculation
EMS	Engine management system
ETS	Electronic transmission shift
FET	Field effect transistor
GPS	Global positioning system
HID	High intensity discharge
HS CAN	High speed controller area network bus
IC	Instrument cluster
IMT	Intake manifold tuning
IP	Instrument panel
PV6	Petrol engine - V6
PV8	Petrol engine - V8
PV8NA	Naturally aspirated engine - V8
PV8SC	Super charged engine - V8
LH	Left-hand
LIN	Local interconnect network
MAF/IAT	Mass air flow / intake air temperature
MS CAN	Medium speed controller area network bus
MMM	Navigation system module
N/A	Normally aspirated
NAS	North American specification
PDC	Park distance control
RF	Radio frequency
RH	Right-hand
SAI	Secondary air injection
SCL	Steering column locking
SDARS	Satellite digital audio receiver system
TPMS	Tire pressure monitoring system
TSD	Touch screen display
TV	Television
ULEV	Ultra low emission vehicle
USB	Universal serial bus
VICS	Vehicle information control system

Health and safety

Always follow health and safety guidelines, specifically those detailed in the Workshop Manual.

Using this publication

The information provided in this publication is for use only by competent, qualified auto-electricians. Good product knowledge is assumed, as well as the ability to access and use recommended test equipment and other reference material provided.

Test equipment and other reference material

The information in this publication should be used in conjunction with the recommended test equipment; refer to Workshop Manual. Other reference material includes: Technical Service Bulletins (TSB) and the Workshop Manual.

The Electrical Reference Library (ERL) may also prove useful since it provides detailed connector information.

Battery disconnection and reconnection

It is imperative that any information relating to battery disconnection and reconnection is followed; refer to the appropriate sections in the Workshop Manual.

Fault Diagnosis

Always use the recommended test equipment for correct and reliable fault diagnosis, refer to the Workshop Manual.

Harness Repair

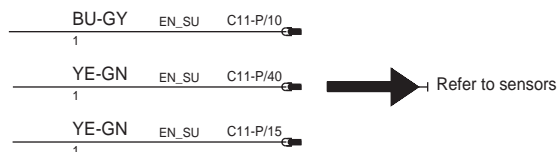
Repairs should only be undertaken for connectors where a Service Repair Kit is available; refer to the appropriate Electrical Reference Library (ERL).

Note: Fibre Optic circuits cannot be repaired; refer to the Workshop Manual.

Engine Harness In-line Connector Designations

It has been necessary to draw certain wiring diagrams to support and permit the sharing of common electrical harnesses, as a result the in-line connectors linking the engine compartment harness and the engine harness appear on separate pages.

In addition, it should be noted that the connector designations may not match; where this is the case, the matching connector designations are identified at the bottom right-hand side of the drawing, for example C11-P = C11-A. An arrow or a diamond is used to highlight the connectors that are affected by this convention.



C11-P = C11-A
C11-N = C11-B
C11-M = C11-C

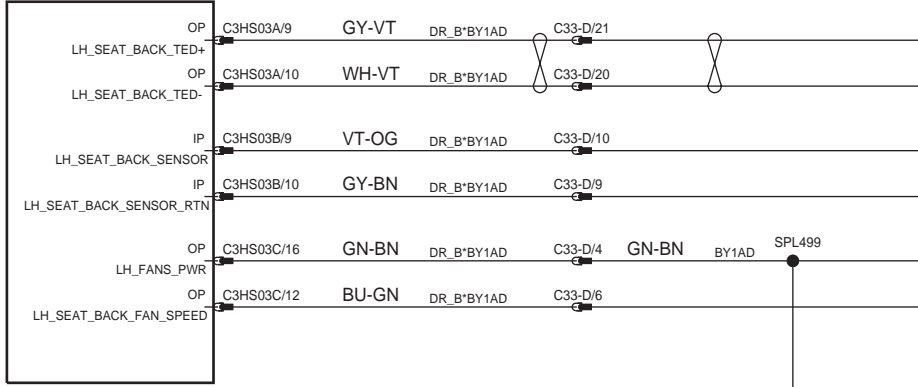
USING THIS PUBLICATION

Section numbering

The sections in this publication are ordered to match the Global Outline numbering system as found in the current Workshop Manual. The Power and Ground distribution circuits can be found under section 414-01, BATTERY, MOUNTING AND CABLES.

Note: Where circuit diagrams show more than one sub-system, the circuit will be located in the section that carries the first-named sub-system, for example: Starting and Charging will be located under section 303-06 Starting System, since 'Starting' is the first-named sub-system.

Understanding the circuit diagrams



Connectors, Ground and Splices

Harnesses for the vehicle originate from a variety of different sources and therefore the connector nomenclature is inconsistent.

Wire Length

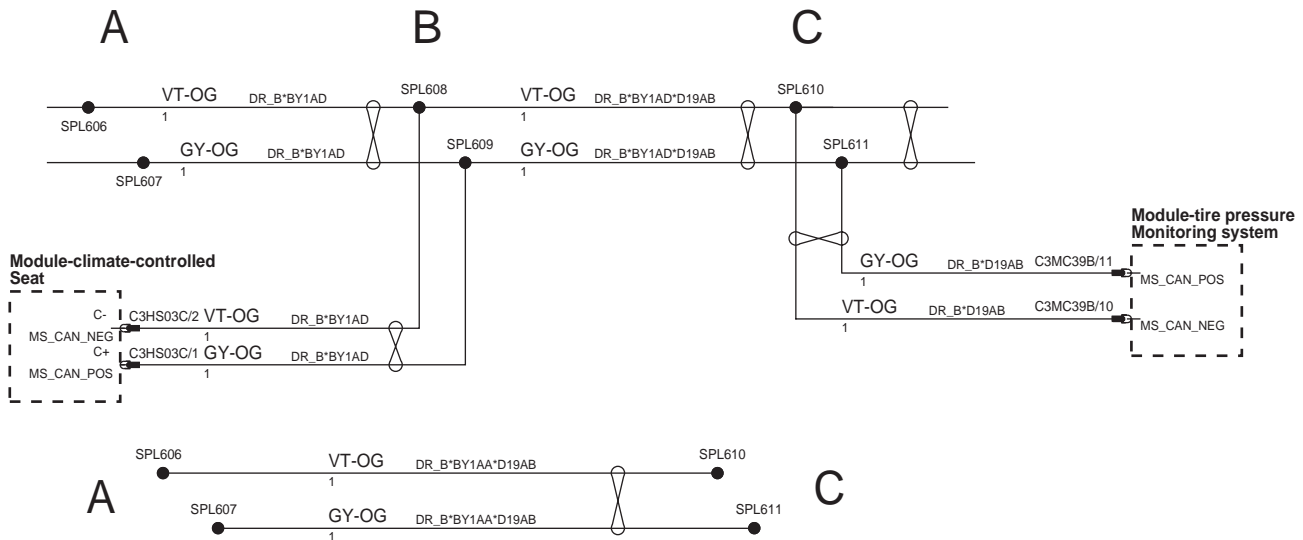
Wire length (where stated) is in millimeters and appear directly below the color code for each wire. Wire length values are displayed for LHD vehicles only, values for RHD vehicles may vary.

Twisted Wires

The 'figure-of-eight' symbol indicates that wires are twisted together.

By-pass Wires

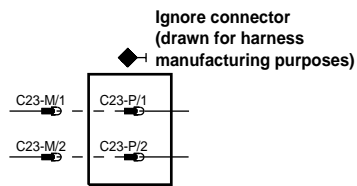
Vehicles are customized to suit market or customer selected options. To reduce the number of circuits drawn, by-pass wires are shown. By-pass wires are identified by large, upper case letters designed to correspond with the alternative connection arrangement; refer to figure below.



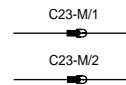
Connector Designation

Certain connectors have been drawn for harness manufacturing purposes only. In Example 1, the left-hand connector is always used, the connector drawn to the right-hand side of the dotted line is a dummy connector which should be ignored; refer to Service Interpretation 1.

Example 1:

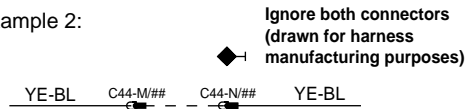


Service Interpretation 1:



Example 2 depicts that some pairs of connectors have also been drawn for harness manufacturing purposes, these connectors do not appear in the vehicle and therefore should be ignored; refer to Service Interpretation 2.

Example 2:



Service Interpretation 2:



Control Module Pins

B+	Battery voltage
C-	CAN negative
C+	CAN positive
D	Data
GND	Ground
REF	Sensor / signal ground **
IP	Input signal
LIN	Local interconnect network
MOST_RX	MOST receive
MOST_TX	MOST transmit
NEG	Negative
OP	Output signal
P	Power ground
POS	Positive
PWR	Power
SW	Switch
VBATT	Battery voltage
VREF	Sensor / signal supply V *

*May also indicate Reference Voltage.

**May also indicate Reference Ground or Logic Ground.

Wire Codes

CODE	COLOR
BK or B	BLACK
BN or N	BROWN
BU or U	BLUE
GN or G	GREEN
GY or S	GREY
OG or O	ORANGE
OPT	FIBER OPTIC
PK or K	PINK
RD or R	RED
SCR	SCREEN BRAID
VT or P	PURPLE
WH or W	WHITE
YE or Y	YELLOW

USING THIS PUBLICATION

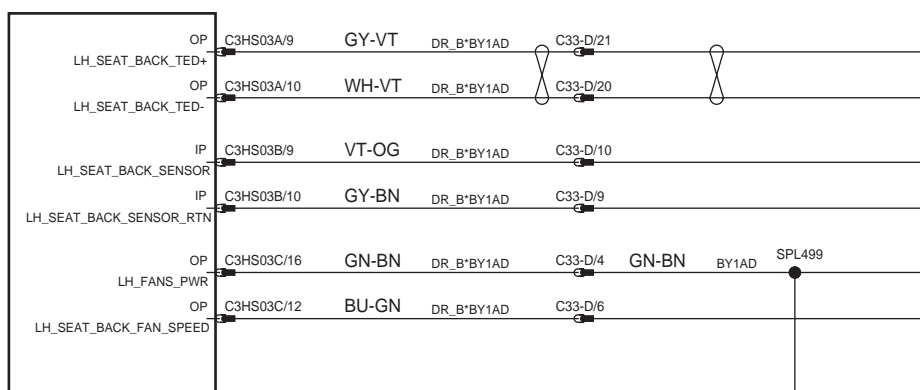
Option Code

A code identifying an optional wiring arrangement, for example BY1AD, may be allocated to certain wires; refer to the Option Code Table.

The asterisk (*) represents 'and'; the colon (:) represents 'or'; for example:

DR_B*BY1AD, represents: left-hand drive AND heated & cooled seats

IBYAD*IESAB:IBYAC*IESAB, represents: satellite digital audio AND television OR digital audio AND television.



Option Code Table

Cct	Vehicle Option or Feature
2W_LUM	2 way lumbar
4W_LUM	4 way lumbar
A3RAB	deployable hood
A4EAC	passenger non memory
A4EAF	passenger memory
B3MAA	less windshield defrost
B3MAB	heated front screen
BS_FL	long wheel base
BSBAF	electrochromic interior mirror
BSHDF	fold back mirrors
BY1AB	driver heated seat
BY1AD	heated & cooled (climate) seats
BYPAM	10way driver seat movement
BYPAN	16way driver seat movement
BYPAW	20way driver seat movement
BYQAN	16way passenger seat movement
BYQAP	8way passenger seat movement
BYQAR	4way passenger seat movement
CBAAD	power dead locks
CBGAG	keyless entry
CBGAJ	without keyless entry
CFKAB	headlamp washer
CPQAB	front passenger air bag deactivation
CPQAC	occupancy classification system
CPXAB	no safety belt retract
CPXAC	safety belt retract
D19AB	tire pressure monitoring system
DR_B	left-hand drive
DR_D	right-hand drive
DWABK	chassis control module
DWABN	air suspension
DWMAC	continuously variable damping
EM_N	ULEV 2 requirements
EN_RX	5.0L PV8NA engine
EN_RY	5.0L PV8SC engine
EN_SU	3.0 DV6 engine
G1DAA	without air quality sensor

USING THIS PUBLICATION

Cct	Vehicle Option or Feature
G1DAB	air quality sensor
G3AAJ	rear solar sensor
GRBAB	steering column lock
GTBAB	heated steering wheel
GTDAB	speed control
GTDAD	adaptive stop/go speed control
HKCAB	navigation
HLLAA	without blind spot monitoring
HLLAC	blind spot monitoring
HNHAB	battery backed security sounder
HNHAC	passive sounder
HNLAB	front parking aid
IBYAC	digital audio
IBYAD	SDARS
IDAAU	base ice system
IDAAV	hi line ice system
IDAAX	premium ice system
IENAD	rear seat entertainment
IESAB	television
J3CAB	smokers package
J3KAA	without park aid camera
J3KAB	park aid camera
JAPAN	Japanese market
JBBBA	hid headlamps
JBBBB	adaptive front lighting
LHS	left-hand side
NO_DAB	without digital audio broadcasting
NO_SDARS	without SDARS
PAS	passenger
RHS	right-hand side
W-FIRE	wireless headphone system

USING THIS PUBLICATION

Component Depictions

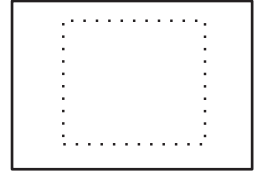
Example:



1.



2.



3.

1. Complete Components and Control Modules
2. Incomplete Components
3. Components with Internal Electronic Components

- ABS module 8, 69, 73, 91, 139
 Accelerometer-Front right 2, 4
 Accelerometer-Rear left 2, 4
 Accelerometer-Rear right 2, 4
 Active engine mounting solenoid 41, 68
 Actuator-EGR-Bank 1 36
 Actuator-EGR-Bank 2 36
 Actuator-Hood latch-LH 199
 Actuator-Hood latch-RH 199
 Actuator-Rear differential 6
 Actuator-Vane VGT 36
 Adaptive speed control sensor 52, 73, 88, 90
 Air bag-Side curtain-LH 197, 198
 Air bag-Side curtain-RH 197, 198
 Air bag-Side-Driver 197, 198
 Air bag-Side-Passenger 197, 198
 Air Conditioning (A/C) compressor Solenoid 19
 Amplifier-Antenna 100, 100, 101, 109, 109, 110, 111, 111, 149
 Amplifier-power 71, 87, 97, 102, 103, 104, 105, 106, 107, 108, 142, 143, 144
 Antenna-LF-Cabin-Front 148
 Antenna-LF-Rear-External 185
 Antenna-LF-Rear-Internal 148
 Antenna-Loadspace-LHS 148
 Ashtray-illumination 84, 95, 124
 Assembly-Climate-Seat backrest-Driver 163, 164
 Assembly-Climate-Seat backrest-Passenger 163, 164
 Assembly-Climate-Seat backrest-Rear-LH 165
 Assembly-Climate-Seat backrest-Rear-RH 165
 Assembly-Climate-Seat cushion-Driver 163, 164
 Assembly-Climate-Seat cushion-Passenger 163, 164
 Assembly-Climate-Seat cushion-Rear-LH 165
 Assembly-Climate-Seat cushion-Rear-RH 165
 Assembly-Steering column 11, 76, 77, 78, 79, 92
 Beacon-VICS 101
 Camera-Rear view 63, 88, 97
 Capacitor 26
 Center console antenna-Front 148
 Center console antenna-Rear 148
 Center speaker 107, 108
 Cigar lighter-Front 74, 84, 95, 124, 182
 Cigar lighter-Rear 74, 84, 95, 124, 182
 Clock 60, 71, 77, 84, 92, 124
 Clock spring 10, 50, 51, 52, 60, 67, 71, 77, 81, 92, 100, 124, 146, 147, 197, 198
 Clutch-Compressor-Air-conditioning (A/C) 32, 56
 Connector-MOST diagnostic 141
 Console-Overhead-Front 61, 62, 70, 74, 75, 77, 78, 84, 96, 101, 120, 125, 145, 179, 193, 194
 Console-Overhead-Rear 75, 78, 84, 96, 119, 125, 179, 193
 Console-Portable audio interface 101
 Console-Portable audio interface-Rear 175
 Control Unit-Cooling Fan 12, 13, 66, 68, 69, 90
 Diagnostic socket 8, 64, 65, 71, 79, 92, 127, 132, 138, 140
 Docking station Remote control-Rear entertainment 175
 Downshift paddle switch 10
 Driver seat module 71, 87, 94, 94, 95, 95, 129, 129, 134, 134, 155, 156, 157, 158, 168, 170, 172
 Drivers seat height motor 155, 156, 157, 158
 ECU-Glow plug 42, 68
 Engine control-module (ECM) 12, 13, 15, 16, 17, 18, 19, 20, 21, 22, 23, 24, 25, 26, 27, 28, 29, 30, 31, 33, 35, 36, 37, 38, 39, 40, 41, 42, 43, 47, 48, 49, 50, 51, 66, 68, 69, 73, 73, 77, 77, 80, 80, 82, 82, 89, 91, 99, 140, 140
 Fan-Cooling-Instrument panel 60, 71
 Front Tweeter-Driver 103, 104, 105, 106, 107, 108
 Front Tweeter-Passenger 103, 104, 105, 106, 107, 108
 Fuel injector-No.1 27, 39
 Fuel injector-No.2 27, 39
 Fuel injector-No.3 27, 39
 Fuel injector-No.4 27, 39
 Fuel injector-No.5 27, 39
 Fuel injector-No.6 27, 39
 Fuel injector-No.7 27
 Fuel injector-No.8 27
 Fuse-Glow plug 42, 65
 Generator 19, 32, 64, 65, 98, 99
 Glow plug 42
 Handle-Driver door 93, 183, 184
 Handle-Passenger door 93, 183, 184
 Headlamp-LH 75, 79, 90, 91, 112, 113, 114, 117
 Headlamp-RH 75, 79, 90, 91, 112, 113, 114, 117
 Heater-Block 14, 14
 Heater-Cushion-Rear-LH 167
 Heater-Cushion-Rear-RH 167
 Heater-Electric booster 54, 65, 92
 Heater-Seat backrest-Driver 166
 Heater-Seat backrest-Passenger 166
 Heater-Seat cushion-Driver 166
 Heater-Seat cushion-Passenger 166
 Heater-Steering wheel 10
 Horn(s) 67, 90, 146, 147
 Ignition coil-1 26
 Ignition coil-2 26
 Ignition coil-3 26
 Ignition coil-4 26
 Ignition coil-5 26
 Ignition coil-6 26
 Ignition coil-7 26
 Ignition coil-8 26
 Ignition coils 66
 Illumination-Loadspace finisher 121
 Illumination-Selector-Automatic gearbox 84, 95, 124
 Illumination-Treadplate-Front LH 121
 Illumination-Treadplate-Front RH 121
 Illumination-Treadplate-Rear LH 121
 Illumination-Treadplate-Rear RH 121
 Illumination-Vent-Inner-Front-LH 84, 92, 123
 Illumination-Vent-Inner-Front-RH 84, 92, 123
 Illumination-Vent-Outer-Front-LH 84, 92, 123
 Illumination-Vent-Outer-Front-RH 84, 92, 123
 Illumination-Vent-Rear-LH 84, 96, 126
 Illumination-Vent-Rear-RH 84, 96, 126
 Initiator-Front-LH 1, 80
 Initiator-Front-RH 1, 79
 Initiator-Rear-LH 1, 83
 Initiator-Rear-RH 1, 83
 Instrument cluster 60, 71, 76, 92, 127, 132, 138, 141, 145
 Integrated audio module 71, 92, 100, 101, 141, 149, 175
 Integrated control panel 71, 78, 86, 92, 117, 128, 133, 181
 Keyless vehicle module 70, 77, 93, 129, 134, 145, 148, 183, 184, 185, 190
 Lamp-Door sill-Front-LH 78, 95
 Lamp-Door sill-Front-RH 78, 95
 Lamp-Door sill-Rear-LH 78, 95
 Lamp-Door sill-Rear-RH 78, 95
 Lamp-Footwell-Front-LH 78, 92, 119
 Lamp-Footwell-Front-RH 78, 92, 119
 Lamp-Footwell-Rear-LH 78, 95, 119
 Lamp-Footwell-Rear-RH 78, 95, 119
 Lamp-Glove compartment 75, 119
 Lamp-High mounted stop 83, 96, 116
 Lamp-Load space 81, 96
 Lamp-Luggage compartment 81, 96, 122
 Lamp-Puddle-Driver 78, 93, 120

- Lamp-Puddle-Passenger 78, 93, 120
 Lamp-Puddle-Rear-LH 78, 96, 120
 Lamp-Puddle-Rear-RH 78, 96, 120
 Lamp-Rear number plate-LH 76, 97, 114
 Lamp-Rear number plate-RH 76, 97, 114
 Latch-Glove compartment 85, 92, 150
 Latch-Luggage compartment lid 81, 83, 97, 146, 147, 189
 LED-Ambient-Door-Driver 84, 93, 123, 123
 LED-Ambient-Door-Passenger 84, 93, 123, 123
 LED-Ambient-Door-Rear-LH 84, 84, 96, 126, 126
 LED-Ambient-Door-Rear-RH 84, 84, 96, 126, 126
 LED-Door handle-Front-LH 84, 93
 LED-Door handle-Front-RH 84, 93
 LH rear door handle module 96, 185
 LH rear door latch module 83, 96, 146, 147, 185, 187
 LH rear seat backrest heater 167
 LH rear seat heater module 88, 96, 167
 LH rear surround sound speaker 107, 108
 Lumbar pump-solenoid-Driver 94, 95, 170
 Lumbar pump-solenoid-Passenger 94, 161, 162, 169
 Mirror-Door-Driver side 59, 118, 122, 151, 152, 153, 154
 Mirror-Door-Passenger side 59, 118, 122, 151, 152, 153, 154
 Mirror-Interior 76, 88, 93, 127, 133, 151
 Mirror-Vanity-LH 75, 96, 119
 Mirror-Vanity-Rear-LH 75, 96, 119
 Mirror-Vanity-Rear-RH 75, 96, 119
 Mirror-Vanity-RH 75, 96, 119
 Module-Air bag--Driver 10, 197, 198
 Module-Air bag-Passenger 92, 197, 198
 Module-Air suspension 3, 73, 82, 87, 89, 97, 137
 Module-Blind spot monitoring-LH 88, 97, 131, 136, 153, 154
 Module-Blind spot monitoring-RH 88, 97, 131, 136, 153, 154
 Module-Blower-motor control-Front 53, 92
 Module-Chassis control 4, 5, 73, 82, 87, 97, 137
 Module-Climate Control 53, 54, 55, 56, 68, 71, 88, 92, 128, 132
 Module-Climate seats-Rear 70, 74, 96, 130, 135, 165
 Module-Climate-controlled seat 70, 74, 94, 130, 135, 163, 164
 Module-Damping-Continuously variable 2, 88, 97, 137
 Module-Door latch-Driver 93, 183, 184
 Module-Door latch-Passenger 93, 183, 184
 Module-Driver door 59, 70, 93, 118, 122, 127, 134, 145, 152, 153, 154, 155, 156, 157, 158, 177, 178, 186, 187
 Module-Fuel-pump driver 47, 89, 97
 Module-Glove compartment control 75, 86, 92, 150
 Module-Headlamp control 83, 91, 113, 139
 Module-Headphone 102
 Module-Heated seat-Driver 88, 94, 166
 Module-Heated seat-Passenger 88, 94, 166
 Module-Heated steering wheel 10
 Module-Immobiliser antenna 71, 77, 92, 148
 Module-Navigation system-Asia 97, 131, 136, 149
 Module-Parking aid 61, 62, 88, 93, 127, 132
 Module-Parking brake 7, 69, 73, 82, 87, 97, 137
 Module-Passenger door 59, 70, 93, 118, 122, 129, 132, 145, 152, 153, 154, 159, 160, 177, 178, 186, 187
 Module-Power close 97, 189
 Module-Powered lid-Luggage compartment 87, 97, 130, 135, 189
 Module-Rear door-LH 70, 96, 146, 147, 178
 Module-Rear door-RH 71, 96, 178, 187
 Module-Roof opening panel and roof blinds 193
 Module-SDARS 71, 97, 110, 142, 143, 144
 Module-Seat-occupancy 72, 94, 95, 138, 196
 Module-Speed control 52, 73, 88, 92, 139
 Module-steering column locking 60, 79, 139, 145
 Module-Transmission shift 7, 15, 16, 17, 18, 45, 46, 69, 73, 82, 95, 137
 Module-Tuner-DAB 71, 97, 109, 142, 143, 144
 Motor-Air distribution-Face-Front-LH 54
 Motor-Air distribution-Face-Front-RH 55
 Motor-Air distribution-Face-Rear-LH 54
 Motor-Air distribution-Face-Rear-RH 55
 Motor-Air distribution-Feet-Front-LH 54
 Motor-Air distribution-Feet-Front-RH 55
 Motor-Air distribution-Feet-Rear-LH 54
 Motor-Air distribution-Feet-Rear-RH 55
 Motor-Air distribution-Mix-Front-LH 54
 Motor-Air distribution-Mix-Front-RH 55
 Motor-Air distribution-Mix-Rear-LH 54
 Motor-Air distribution-Mix-Rear-RH 55
 Motor-Blower-Front 53, 88
 Motor-Central door-locking-Driver 82, 145, 186
 Motor-Central door-locking-Passenger 82, 145, 186
 Motor-Compressor-Air Suspension 3, 5, 89, 97
 Motor-Head restraint-Driver 155, 156
 Motor-Head restraint-Passenger 159, 160, 161, 162
 Motor-Recirculated air 53
 Motor-Release-Fuel flap 72, 188
 Motor-Roof blind-Front 193
 Motor-Roof blind-Rear 193
 Motor-Seat-Cushion extension-Driver 155, 156
 Motor-Seat-Cushion extension-Passenger 159, 160
 Motor-Seat-Forward rearward-Driver 155, 156, 157, 158
 Motor-Seat-Forward rearward-Passenger 159, 160, 161, 162
 Motor-Seat-Recline-Driver 155, 156, 157, 158
 Motor-Seat-Recline-Passenger 159, 160, 161, 162
 Motor-Seat-Tilt-Driver 155, 156, 157, 158
 Motor-Seat-Tilt-Passenger 159, 160, 161, 162
 Motor-Sun blind 88, 96, 179
 Motor-Window-Driver 177
 Motor-Window-Passenger 177
 Motor-Window-Rear-LH 178
 Motor-Window-Rear-RH 178
 Motor-Wiper-Windscreen 67, 81, 91, 191
 Panel-Climate control-Rear 57, 71, 95, 129, 134
 Parking Brake Actuator 7
 Passenger seat height motor 159, 160, 161, 162
 Passenger seat module 94, 95, 129, 134, 159, 160, 169, 173
 Passive-sounder 79, 90, 147
 Pedestrian protection accelerometer-LH 199
 Pedestrian protection accelerometer-RH 199
 Pre-tensioner and buckle switch-Driver 194
 Pre-tensioner and buckle switch-Passenger 194
 Pump 1-High pressure fuel 28
 Pump 2-High pressure fuel 28
 Pump-Lumbar-Driver 94, 95, 168, 172
 Pump-Lumbar-Passenger 95, 169, 169, 171, 173
 Pump-Power wash 67, 90, 192
 Pump-Washer-Windscreen 74, 90, 192
 Purge control valve 27
 Rear differential control module 6, 73, 87, 97, 137
 Rear seat entertainment module 71, 97, 142, 143, 144, 175, 176
 Rear window heater element 59, 72
 Receiver-Radio-frequency (RF) 70, 96, 145, 148, 183, 184, 185
 Receiver-Television 71, 97, 111, 142, 143, 144, 175
 Receiver-Tire-pressure monitoring 1, 70, 77, 96
 Refrigerant solenoid valve 32, 56

- Relay-Transit 64, 65, 79, 97
 Reservoir control valve 3, 5
 Restraints Control Module (RCM) 47, 48, 72, 77, 96, 138, 194, 197, 198, 199
 RF filter 59
 RF filter (with TV installed grounds through fixing) 59
 RH rear door handle module 96, 185
 RH rear door latch module 83, 96, 146, 147, 185, 187
 RH rear seat backrest heater 167
 RH rear seat heater module 88, 96, 167
 RH rear surround sound speaker 107, 108
 Roof opening panel control module 76, 87, 95
 Screen air distribution door motor 55
 Screen-Rear seat-entertainment-LH 176
 Screen-Rear seat-entertainment-RH 176
 Sensor 1-Engine coolant temperature (ECT) - PV8 22
 Sensor 2-Engine coolant temperature (ECT)-PV8 22
 Sensor-Air quality 53, 74, 90
 Sensor-ambient air temperature (part of LH door mirror assembly) 20, 38
 Sensor-Boost air pressure 37
 Sensor-Camshaft position-Bank 1-Inlet 24
 Sensor-Camshaft position-Bank 1-Outlet 24
 Sensor-Camshaft position-Bank 2-Inlet 24
 Sensor-Camshaft position-Bank 2-Outlet 24
 Sensor-Camshaft-position (CMP) 35
 Sensor-Crankshaft-position (CKP) 24, 35
 Sensor-Differential pressure 34, 44
 Sensor-Driver-seat track 194
 Sensor-Engine coolant level-Petrol 80, 90, 180
 Sensor-Engine coolant temperature (ECT) - DV6 35
 Sensor-Engine coolant-level - DV6 80, 90, 180
 Sensor-Engine coolant-temperature (ECT) 36
 Sensor-Evaporator 53
 Sensor-Front impact-LH side 197, 198
 Sensor-Front impact-RH side 197, 198
 Sensor-Fuel rail-pressure 23
 Sensor-Height-Front-LH 2, 3, 4
 Sensor-Height-Front-RH 2, 3, 4
 Sensor-Height-Rear-LH 2, 3, 4
 Sensor-Height-Rear-RH 2, 3, 4
 Sensor-Knock-Bank 1-Front 21
 Sensor-Knock-Bank 1-Rear 21
 Sensor-Knock-Bank 2-Front 21
 Sensor-Knock-Bank 2-Rear 21
 Sensor-Low fuel-pressure 20
 Sensor-Low washer-fluid level 80, 90, 192
 Sensor-MAF/IAT-Bank 1 21, 43
 Sensor-MAF/IAT-Bank 2 21, 43
 Sensor-Manifold Absolute-Pressure (MAP) 23
 Sensor-Mass air-flow (MAF) 68, 68
 Sensor-Oil temperature-level 21, 37
 Sensor-Outlet temperature-Fixed turbocharger 44
 Sensor-Oxygen-Even-Post catalyst 30
 Sensor-Oxygen-Even-Pre-catalyst 30
 Sensor-Oxygen-Odd-Post catalyst 30
 Sensor-Oxygen-Odd-Pre-catalyst 30
 Sensor-Oxygen-Pre catalyst 44
 Sensor-Pad wear-Front-LH 9, 90
 Sensor-Pad wear-Rear-RH 9, 83
 Sensor-Parking aid-Inner-Front-LH 61
 Sensor-Parking aid-Inner-Front-RH 61
 Sensor-Parking aid-Inner-Rear-LH 62
 Sensor-Parking aid-Inner-Rear-RH 62
 Sensor-Parking aid-Outer-Front-LH 61
 Sensor-Parking aid-Outer-Front-RH 61
 Sensor-Parking aid-Outer-Rear-LH 62
 Sensor-Parking aid-Outer-Rear-RH 62
 Sensor-Position-Accelerator pedal 20, 38
 Sensor-Pressure-Fuel rail 35
 Sensor-Pressure-mat 82, 94, 95, 196
 Sensor-Pressure-Refrigerant 53
 Sensor-Rain-Ambient light 73, 77, 94, 114, 191
 Sensor-Safety belt tension 196
 Sensor-Seat-occupant classification 196
 Sensor-Side impact-Front door-LH 197, 198
 Sensor-Side impact-Front door-RH 197, 198
 Sensor-Side impact-LH side-Rear 197, 198
 Sensor-Side impact-RH side-Rear 197, 198
 Sensor-Spare tire 1
 Sensor-Steering-angle 8, 73
 Sensor-Sunload-Front 53
 Sensor-Sunload-Rear 57, 95
 Sensor-Temperature and Manifold-Absolute Pressure (TMAP) 23
 Sensor-Temperature-Air charge 33, 35
 Sensor-Temperature-Catalytic converter-Downstream 44
 Sensor-Temperature-Catalytic converter-Upstream 44
 Sensor-Temperature-Differential oil 6
 Sensor-Temperature-DPF-Intake 44
 Sensor-Temperature-DPF-Outlet 44
 Sensor-Temperature-fuel 35
 Sensor-Temperature-In-car 53, 74, 92
 Sensor-Throttle-position (TP) 36
 Sensor-Tire-Front-LH 1
 Sensor-Tire-Front-RH 1
 Sensor-Tire-Rear-LH 1
 Sensor-Tire-Rear-RH 1
 Sensor-Valve position-Turbine intake 37
 Sensor-Yaw Rate 8, 73, 95
 Slip rings-Steering wheel 10, 73, 92
 Socket-Accessory-Front 74, 95, 182
 Socket-Accessory-Rear 74, 84, 95, 124, 182
 Solenoid-Backrest bolster-Massage 174
 Solenoid-Boost air 40
 Solenoid-Boost air recirculation 40
 Solenoid-Camshaft profile switching-bank 1 27
 Solenoid-Camshaft profile switching-bank 2 27
 Solenoid-Damper Rear-RH 2, 4
 Solenoid-Damper-Front-LH 2, 4
 Solenoid-Damper-Front-RH 2, 4
 Solenoid-Damper-Rear-LH 2, 4
 Solenoid-EGR cooling bypass 40
 Solenoid-Lumbar-Massage 174
 Solenoid-Manifold intake tuning or symposer 27
 Solenoid-Master-Massage 174
 Solenoid-Power steering 80, 81, 180
 Solenoid-Seat bolster-Driver 94, 95, 168
 Solenoid-Seat bolster-Passenger 94, 95, 169, 171
 Solenoid-Slave-Massage 174
 Solenoids-Lumbar-Driver 168
 Solenoids-Lumbar-Passenger 95, 171
 Solenoid-Turbine intake 40
 Solenoid-VVT-Bank 1-Exhaust 27
 Solenoid-VVT-Bank 1-Intake 27
 Solenoid-VVT-Bank 2-Exhaust 27
 Solenoid-VVT-Bank 2-Intake 27
 Sounder-Battery backed 70, 77, 90, 146
 Speaker-Low range-Front door-LH 103, 104, 105, 106, 107, 108
 Speaker-Low range-Front door-RH 103, 104, 105, 106, 107, 108
 Speaker-Low range-Rear door-LH 103, 105
 Speaker-Low range-Rear door-RH 104, 106, 107, 108
 Speaker-Mid range-Front-LH 103, 104, 105, 106, 107, 108
 Speaker-Mid range-Front-RH 103, 104, 105, 106, 107, 108

Speaker-Mid range-Rear door-LH 103, 105
Speaker-Mid range-Rear door-RH 104, 106, 107, 108
Speaker-Subwoofer 105, 105, 106, 106, 107, 107, 108, 108
Starter motor 15, 16, 17, 18, 19, 32, 64, 65, 67, 90, 98, 99
Strut-Powered lid-Luggage compartment 189
Super charger coolant pump 31, 66, 90
Switch pack-Seat-Driver 87, 94, 95, 155, 156, 157, 158, 168, 170, 172
Switch pack-Seat-Passenger 70, 71, 87, 94, 94, 95, 95, 159, 160, 161, 162, 169, 171, 173
Switch pack-Steering wheel Audio-telephone 10, 100, 124
Switch pack-Steering wheel Speed control 10, 50, 51, 52, 100, 124, 146, 147
Switch-Auxiliary lighting 77, 84, 85, 115, 124, 125, 180, 190
Switch-Bonnet 80, 90, 145
Switch-Brake pedal 7, 50, 51, 70, 82, 91, 116
Switch-Brake-fluid level 80, 91, 180
Switch-Glove-compartment 92, 119
Switch-Horn 10, 146, 147
Switch-Luggage compartment Lid close 81, 97, 189
Switch-Luggage compartment-Lid release-Exterior 76, 97, 190
Switch-Oil pressure 32, 180
Switch-Passenger air bag disable (dealer installation) 92, 194
Switch-Safety belt-Rear center 86, 96, 196
Switch-Safety belt-Rear LH 86, 96, 196
Switch-Safety belt-Rear RH 86, 96, 196
Switch-Seat memory-Driver 93, 155, 156, 157, 158
Switch-Seat memory-Passenger 71, 93, 159, 160
Switch-Start-stop 77, 78, 78, 85, 124, 148
Switch-Steering column adjustment 11, 76, 77, 80
Switch-Steering column-Lighting 76, 85, 86, 112, 114, 115, 117, 118, 180
Switch-Steering column-Wiper 85, 180, 191, 192
Switch-Window-Driver door 71, 93, 152, 177
Switch-Window-Passenger door 177
Switch-Window-Rear-LH 178
Switch-Window-Rear-RH 178
Tail lamp unit-LH 75, 76, 81, 82, 97, 114, 115, 116, 117
Tail lamp unit-RH 75, 76, 82, 97, 114, 115, 116, 117
TCM and Control Valve Body 32, 46, 140
Tensioner-Safety belt-LH 87, 94, 137, 195
Tensioner-Safety belt-RH 87, 95, 138, 195
Touch screen display 60, 63, 71, 92, 100, 111, 128, 133, 141, 149, 175
Transmission control module 19
Unit-Electric throttle 24
Unit-Fuel Tank 47, 48, 82, 82, 83, 83, 89, 97, 97
Unit-Leak detection 47, 66
Upshift paddle switch 10
Valve-Control-Fuel pressure 39
Valve-Control-Fuel volume 39
Water in fuel sensor 49, 68
Wheel speed sensor-LH front 8
Wheel speed sensor-LH rear 8
Wheel speed sensor-RH front 8
Wheel speed sensor-RH rear 8
Windshield LH heater element 58, 66, 93
Windshield RH heater element 58, 66, 93

Connector	Description	Cav	Color	Cav	Location	Harness
AL001	Alternator-generator - PV8	1		1	Lower front of engine - RH side	ALTERNATOR LINK V8
AL002	Starter motor - PV8	1		1	Lower rear of engine - RH side	ALTERNATOR LINK V8
C11-A	Engine harness to engine compartment harness	42	Black	42	RH side of engine compartment	ENGINE DIESEL 3.0L
C11-A	Engine harness to knock sensor link harness	12	Black	12	Top rear of engine - center	ENGINE PETROL AJ133
C11-A	Knock sensor link harness to engine harness	12	Black	12	Top rear of engine - center	KNOCK SENSORS PETROL
C11-B	Engine compartment harness to link harness	16	Black	16	Behind LH front wheel arch liner	ENGINE COMPARTMENT RH
C11-B	Engine compartment harness to link harness	16	Black	16	Behind LH front wheel arch liner	ENGINE COMPARTMENT LH
C11-B	Link harness to engine compartment harness	16	Black	16	Behind LH front wheel arch liner	FRONT BUMPER
C11-B	Engine harness to transmission harness	16	Black	16	Lower rear of engine - center	ENGINE DIESEL 3.0L
C11-C	Engine compartment harness to link harness	4	Dark grey	4	LH side of engine compartment	ENGINE COMPARTMENT LH
C11-C	Engine compartment harness to link harness	4	Dark grey	4	LH side of engine compartment	ENGINE COMPARTMENT RH
C11-C	Link harness to engine compartment harness	4	Dark grey	4	LH side of engine compartment	ANTI THEFT BB SOUNDER
C11-C	Engine harness to transmission harness	12	Black	12	Lower rear of engine - center	ENGINE DIESEL 3.0L
C11-F	Engine compartment harness to link harness	2	Black	2	Behind center of bumper	ENGINE COMPARTMENT RH
C11-F	Engine compartment harness to link harness	2	Black	2	Behind center of bumper	ENGINE COMPARTMENT LH
C11-F	Link harness to engine compartment harness	2	Grey	2	Behind center of bumper	COOLING PACK PETROL
C11-G	Engine compartment harness to cooling fan harness	2	Black	2	Behind center of bumper	ENGINE COMPARTMENT RH
C11-G	Engine compartment harness to cooling fan harness	2	Black	2	Behind center of bumper	ENGINE COMPARTMENT LH
C11-G	Cooling fan harness to engine compartment harness	2	Black	2	Behind center of bumper	COOLING PACK DIESEL
C11-M	Transmission harness to engine compartment harness	12	Black	12	RH side of gearbox	TRANSMISSION AUTO-DIESEL
C11-N	Transmission harness to engine compartment harness	16	Black	16	RH side of gearbox	TRANSMISSION AUTO-DIESEL
C11-P	Engine harness to engine compartment harness	42	Black	42	Rear RH side of engine compartment	ENGINE COMPARTMENT LH
C11-P	Engine harness to engine compartment harness	42	Black	42	Passenger side of engine compartment	ENGINE PETROL AJ133
C11-P	Engine harness to engine compartment harness	42	Black	42	Passenger side of engine compartment	ENGINE COMPARTMENT RH
C11-T	Engine compartment harness to glow plug harness	3	Black	3	Top of engine	ENGINE COMPARTMENT RH
C11-T	Engine compartment harness to glow plug harness	3	Black	3	Top of engine	ENGINE COMPARTMENT LH
C11-U	Engine compartment harness to glow plug harness	3	Black	3	Top of engine	ENGINE COMPARTMENT RH
C11-U	Engine compartment harness to glow plug harness	3	Black	3	Top of engine	ENGINE COMPARTMENT LH
C12-A	Instrument panel harness to engine compartment harness	22	Dark grey	22	Base of RH 'A' post	INSTRUMENT PANEL LHD
C12-A	Instrument panel harness to engine compartment harness	22	Dark grey	22	Base of RH 'A' post	INSTRUMENT PANEL RHD
C12-A	Engine compartment harness to instrument panel harness	22	Dark grey	22	Base of RH 'A' post	ENGINE COMPARTMENT LH
C12-A	Engine compartment harness to instrument panel harness	22	Dark grey	22	Base of RH 'A' post	ENGINE COMPARTMENT RH
C12-B	Instrument panel harness to engine compartment harness	16	Green	16	Base of RH 'A' post	INSTRUMENT PANEL LHD
C12-B	Instrument panel harness to engine compartment harness	16	Green	16	Base of RH 'A' post	ENGINE COMPARTMENT RH
C12-B	Instrument panel harness to engine compartment harness	16	Green	16	Base of RH 'A' post	INSTRUMENT PANEL RHD
C12-B	Instrument panel harness to engine compartment harness	16	Green	16	Base of RH 'A' post	ENGINE COMPARTMENT LH
C1A101	Valve-Control-Fuel volume - DV6	2	Black	2	Top of engine	ENGINE DIESEL 3.0L
C1A102	Valve-Control-Fuel pressure - DV6	2	Black	2	LH side of engine	ENGINE DIESEL 3.0L
C1A233	Sensor-Boost air pressure	3	Black	3	RH side of engine	ENGINE DIESEL 3.0L
C1BB01A	Junction-box engine	4	Dark grey	4	Beneath engine compartment fusebox	ENGINE COMPARTMENT RH

Connector	Description	Color	Cav	Location	Harness
C1BB01A	Junction-box engine	Dark grey	4	Beneath engine compartment fusebox	ENGINE COMPARTMENT LH
C1BB01B	Junction-box engine	Dark grey	4	Beneath engine compartment fusebox	ENGINE COMPARTMENT LH
C1BB01B	Junction-box engine	Dark grey	4	Beneath engine compartment fusebox	ENGINE COMPARTMENT RH
C1BB01C	Junction-box engine	Brown	8	Beneath engine compartment fusebox	ENGINE COMPARTMENT RH
C1BB01C	Junction-box engine	Brown	8	Beneath engine compartment fusebox	ENGINE COMPARTMENT LH
C1BB01D	Junction-box engine	Light grey	4	Beneath engine compartment fusebox	ENGINE COMPARTMENT RH
C1BB01D	Junction-box engine	Light grey	4	Beneath engine compartment fusebox	ENGINE COMPARTMENT LH
C1BB01E	Junction-box engine	Light grey	8	Beneath engine compartment fusebox	ENGINE COMPARTMENT RH
C1BB01E	Junction-box engine	Light grey	8	Beneath engine compartment fusebox	ENGINE COMPARTMENT LH
C1BB01F	Junction-box engine	Dark grey	12	Beneath engine compartment fusebox	ENGINE COMPARTMENT RH
C1BB01F	Junction-box engine	Dark grey	12	Beneath engine compartment fusebox	ENGINE COMPARTMENT LH
C1BB01G	Junction-box engine	Black	4	Beneath engine compartment fusebox	ENGINE COMPARTMENT RH
C1BB01G	Junction-box engine	Black	4	Beneath engine compartment fusebox	ENGINE COMPARTMENT LH
C1BB01H	Junction-box engine	Black	8	Beneath engine compartment fusebox	ENGINE COMPARTMENT RH
C1BB01H	Junction-box engine	Black	8	Beneath engine compartment fusebox	ENGINE COMPARTMENT LH
C1BB01J	Junction-box engine	Dark grey	8	Beneath engine compartment fusebox	ENGINE COMPARTMENT RH
C1BB01J	Junction-box engine	Dark grey	8	Beneath engine compartment fusebox	ENGINE COMPARTMENT LH
C1BB01K	Junction-box engine	Black	10	Beneath engine compartment fusebox	ENGINE COMPARTMENT RH
C1BB01K	Junction-box engine	Black	10	Beneath engine compartment fusebox	ENGINE COMPARTMENT LH
C1BB01L	Junction-box engine	Black	1	Inside engine junction box	ENGINE COMPARTMENT RH
C1BB01L	Junction-box engine	Black	1	Inside engine junction box	ENGINE COMPARTMENT LH
C1BB01M	Junction-box engine	Black	1	Inside engine junction box	ENGINE COMPARTMENT RH
C1BB01M	Junction-box engine	Black	1	Inside engine junction box	ENGINE COMPARTMENT LH
C1BF00	Fuse-Glow plug	Black	1	Inside engine junction box	ENGINE COMPARTMENT RH
C1BF00	Fuse-Glow plug	Black	1	Inside engine junction box	ENGINE COMPARTMENT LH
C1BF01	Fuse-Glow plug	Black	1	Inside engine junction box	ENGINE COMPARTMENT RH
C1BF01	Fuse-Glow plug	Black	1	Inside engine junction box	ENGINE COMPARTMENT LH
C1CA01A	ABS module	Black	22	Rear RH side of engine compartment	ENGINE COMPARTMENT LH
C1CA01A	ABS module	Black	22	Passenger side of engine compartment	ENGINE COMPARTMENT RH
C1CA03	Wheel speed sensor-LH front	Black	2	Behind LH front wheel arch liner	ENGINE COMPARTMENT RH
C1CA03	Wheel speed sensor-LH front	Black	2	Behind LH front wheel arch liner	ENGINE COMPARTMENT LH
C1CA05	Wheel speed sensor-RH front	Black	2	Behind RH front wheel arch liner	ENGINE COMPARTMENT RH
C1CA05	Wheel speed sensor-RH front	Black	2	Behind RH front wheel arch liner	ENGINE COMPARTMENT LH
C1CD03	Solenoid-Damper-Front-LH	Black	2	Under bonnet, LH suspension turret	ENGINE COMPARTMENT LH
C1CD03	Solenoid-Damper-Front-LH	Black	2	Under bonnet, LH suspension turret	ENGINE COMPARTMENT RH
C1CD04	Solenoid-Damper-Front-RH	Black	2	Under bonnet, RH suspension turret	ENGINE COMPARTMENT LH
C1CD04	Solenoid-Damper-Front-RH	Black	2	Under bonnet, RH suspension turret	ENGINE COMPARTMENT RH
C1CD08	Accelerometer-Front right	Black	3	Behind RH front wheel arch liner	ENGINE COMPARTMENT LH
C1CD08	Accelerometer-Front right	Black	3	Behind RH front wheel arch liner	ENGINE COMPARTMENT RH
C1CD10	Sensor-Height-Front-LH	Black	2	Below LH front wheel arch liner	ENGINE COMPARTMENT LH
C1CD10	Sensor-Height-Front-LH	Black	2	Below LH front wheel arch liner	ENGINE COMPARTMENT RH

Connector	Description	Color	Cav	Location	Harness
C1CD10	Sensor-Height-Front-LH	Black	6	Below LH front wheelarch	ENGINE COMPARTMENT LH
C1CD11	Sensor-Height-Front-RH	Black	6	Below RH front wheelarch	ENGINE COMPARTMENT RH
C1CD11	Sensor-Height-Front-RH	Black	6	Below RH front wheelarch	ENGINE COMPARTMENT LH
C1CL15A	Sensor-Height-Front-RH	Black	3	Below RH front wheelarch	ENGINE COMPARTMENT RH
C1CL15A	Sensor-Height-Front-RH	Black	3	Below RH front wheelarch	ENGINE COMPARTMENT LH
C1CL16A	Sensor-Height-Front-LH	Black	3	Below LH front wheelarch	ENGINE COMPARTMENT RH
C1CL16A	Sensor-Height-Front-LH	Black	3	Below LH front wheelarch	ENGINE COMPARTMENT LH
C1CMC06	Brake pad wear sensor	Black	2	Below LH front wheelarch	ENGINE COMPARTMENT RH
C1CMC06	Brake pad wear sensor	Black	2	Below LH front wheelarch	ENGINE COMPARTMENT LH
C1CS09	Solenoid-Power steering	Natural	2	Lower RH rear of engine compartment	ENGINE COMPARTMENT RH
C1CS09	Solenoid-Power steering	Natural	2	Lower LH rear of engine compartment	ENGINE COMPARTMENT LH
C1D101	Starter motor - DV6		1	Lower rear of engine - RH side	STARTER TO GROUND
C1D101	Starter motor - PV8		1	Lower rear of engine - RH side	STARTER TO GROUND
C1DC14	Alternator-generator - PV8	Black	2	Lower front of engine - RH side	ENGINE PETROL AJ133
C1DC16	Alternator-generator - DV6		1	Lower front of engine - RH side	ALTERNATOR LINK DIESEL
C1DC35	Starter motor - DV6		1	Lower rear of engine - RH side	STARTER LEAD DIESEL
C1DC35	Starter motor - PV8		1	Lower rear of engine - RH side	STARTER LEAD PETROL
C1DC35B	Starter motor - DV6		1	Lower rear of engine - RH side	ALTERNATOR LINK DIESEL
C1DC73A	Starter motor - DV6		1	Lower rear of engine - RH side	ENGINE DIESEL 3.0L
C1DC74A	Alternator-generator - DV6		2	Lower front of engine - RH side	ENGINE DIESEL 3.0L
C1E112	Solenoid-Boost air recirculation	Black	2	Lower front of engine - RH side	ENGINE DIESEL 3.0L
C1E114	Solenoid-Boost air	Black	2	Front of engine - center	ENGINE DIESEL 3.0L
C1E116A	Engine control-module (ECM) - DV6	Black	96	Passenger side of engine compartment	ENGINE DIESEL 3.0L
C1E116B	Engine control-module (ECM) - DV6	Black	58	Rear LH side of engine compartment	ENGINE COMPARTMENT RH
C1E116B	Engine control-module (ECM) - DV6	Black	58	Passenger side of engine compartment	ENGINE COMPARTMENT LH
C1E117	Engine control-module (ECM) - PV8	Black	96	Passenger side of engine compartment	ENGINE PETROL AJ133
C1E120B	Engine control-module (ECM) - PV8	Black	58	Rear LH side of engine compartment	ENGINE COMPARTMENT RH
C1E120B	Engine control-module (ECM) - PV8	Black	58	Passenger side of engine compartment	ENGINE COMPARTMENT LH
C1E135	Purge control valve - PV8	Grey	2	LH side of engine	ENGINE PETROL AJ133
C1E137	Unit-Electric throttle - PV8	Black	6	Front of engine - center	ENGINE PETROL AJ133
C1E205	Fuel injector-No.1 - DV6	Black	2	Top of engine - RH side	ENGINE DIESEL 3.0L
C1E205	Fuel injector-No.1 - PV8	Black	2	RH side of engine	ENGINE PETROL AJ133
C1E206	Fuel injector-No.2 - DV6	Black	2	Top of engine - RH side	ENGINE DIESEL 3.0L
C1E206	Fuel injector-No.2 - PV8	Black	2	RH side of engine	ENGINE PETROL AJ133
C1E207	Fuel injector-No.3 - DV6	Black	2	Top of engine - RH side	ENGINE DIESEL 3.0L
C1E207	Fuel injector-No.3 - PV8	Black	2	RH side of engine	ENGINE PETROL AJ133
C1E208	Fuel injector-No.4 - DV6	Black	2	Top of engine - LH side	ENGINE DIESEL 3.0L
C1E208	Fuel injector-No.4 - PV8	Black	2	RH side of engine	ENGINE PETROL AJ133
C1E209	Fuel injector-No.5 - DV6	Black	2	Top of engine - LH side	ENGINE DIESEL 3.0L
C1E209	Fuel injector-No.5 - PV8	Black	2	LH side of engine	ENGINE PETROL AJ133

Connector	Description	Color	Cav	Location	Harness
C1E210	Fuel injector-No.6 - DV6	Black	2	Top of engine - LH side	ENGINE DIESEL 3.0L
C1E210	Fuel injector-No.6 - PV8	Black	2	LH side of engine	ENGINE PETROL AJ133
C1E211	Fuel injector-No.7 - PV8	Black	2	LH side of engine	ENGINE PETROL AJ133
C1E212	Fuel injector-No.8 - PV8	Black	2	LH side of engine	ENGINE PETROL AJ133
C1E303	Ignition coil-1 - PV8	Black	3	RH side of engine	ENGINE PETROL AJ133
C1E304	Ignition coil-3 - PV8	Black	3	RH side of engine	ENGINE PETROL AJ133
C1E305	Ignition coil-5 - PV8	Black	3	RH side of engine	ENGINE PETROL AJ133
C1E306	Ignition coil-7 - PV8	Black	3	RH side of engine	ENGINE PETROL AJ133
C1E307	Ignition coil-2 - PV8	Black	3	LH side of engine	ENGINE PETROL AJ133
C1E308	Ignition coil-4 - PV8	Black	3	LH side of engine	ENGINE PETROL AJ133
C1E309	Ignition coil-6 - PV8	Black	3	LH side of engine	ENGINE PETROL AJ133
C1E310	Ignition coil-8 - PV8	Black	3	LH side of engine	ENGINE PETROL AJ133
C1E316	Solenoid-Manifold intake tuning or symposer	Black	2	Top of engine	KNOCK SENSORS PETROL
C1E318	Super charger coolant pump	Black	2	Lower RH front of engine compartment	COOLING PACK PETROL
C1E346A	Fan-E-box	Black	2	Rear RH side of engine compartment	ENGINE COMPARTMENT LH
C1E346A	Fan-E-box	Black	2	Rear LH side of engine compartment	ENGINE COMPARTMENT RH
C1E421	Solenoid-VVT-Bank 1-Intake	Black	10	Front RH side of engine	ENGINE PETROL AJ133
C1E421A	Solenoid-VVT-Bank 1-Exhaust	Black	2	Front RH side of engine	ENGINE PETROL AJ133
C1E422	Solenoid-VVT-Bank 2-Intake	Black	2	Front LH side of engine	ENGINE PETROL AJ133
C1E422A	Solenoid-VVT-Bank 2-Exhaust	Black	2	Front LH side of engine	ENGINE PETROL AJ133
C1E435	Solenoid-Turbine intake	Black	2	Front of engine - center	ENGINE DIESEL 3.0L
C1E437	Sensor-Valve position-Turbine intake	Black	3	Lower rear of engine - RH side	ENGINE DIESEL 3.0L
C1E513A	ECU-Glow plug	Black	5	Front RH side of engine compartment	ENGINE COMPARTMENT RH
C1E513A	ECU-Glow plug	Black	5	Front RH side of engine compartment	ENGINE COMPARTMENT LH
C1E513B	ECU-Glow plug	Black	6	Front RH side of engine compartment	ENGINE COMPARTMENT RH
C1E513B	ECU-Glow plug	Black	6	Front RH side of engine compartment	ENGINE COMPARTMENT LH
C1E515	Pump 2-High pressure fuel	Black	2	Lower front of engine - RH side	ENGINE PETROL AJ133
C1E515A	Pump 1-High pressure fuel	Black	2	Lower front of engine - RH side	ENGINE PETROL AJ133
C1E706	Sensor-Camshaft-position (CMP)	Grey	3	Front LH side of engine	ENGINE DIESEL 3.0L
C1E706	Sensor-Camshaft position-Bank 1-Inlet	Black	3	Front RH side of engine	ENGINE PETROL AJ133
C1E706A	Sensor-Camshaft position-Bank 1-Outlet	Black	3	Front RH side of engine	ENGINE PETROL AJ133
C1E707	Sensor-Camshaft position-Bank 2-Inlet	Black	3	Front LH side of engine	ENGINE PETROL AJ133
C1E707A	Sensor-Camshaft position-Bank 2-Outlet	Black	3	Front LH side of engine	ENGINE PETROL AJ133
C1E708B	Sensor-Differential pressure	Dark grey	3	Gearbox - Rear	TRANSMISSION AUTO-DIESEL
C1E709C	Sensor-Temperature-Catalytic converter-Downstream	Dark grey	2	Gearbox - Rear	TRANSMISSION AUTO-DIESEL
C1E710C	Sensor-Temperature-Catalytic converter-Upstream	Black	2	Gearbox - Rear	TRANSMISSION AUTO-DIESEL
C1E711	Sensor-Crankshaft-position (CKP) - DV6	Black	3	Lower rear of engine - LH side	ENGINE DIESEL 3.0L
C1E711	Sensor-Crankshaft position-(CKP)/cylinder sensor	Black	2	Lower rear of engine - LH side	ENGINE PETROL AJ133
C1E716	Sensor-Engine coolant-temperature (ECT) - DV6	Grey	2	Front of engine - center	ENGINE DIESEL 3.0L
C1E716	Sensor 1-Engine coolant temperature (ECT) - PV8	Grey	2	Rear RH side of engine	ENGINE PETROL AJ133

Connector	Description	Color	Cav	Location	Harness
C1E716A	Sensor 2-Engine coolant temperature (ECT)-PV8	Grey	2	Front LH side of engine	ENGINE PETROL AJ133
C1E717	Sensor-Oil temperature-level	Black	3	Lower front of engine - LH side	ENGINE PETROL AJ133
C1E717	Sensor-Oil temperature-level	Black	3	Lower front of engine - LH side	ENGINE DIESEL 3.0L
C1E720-A	Actuator-EGR-Bank 1	Grey	6	RH side of engine	ENGINE DIESEL 3.0L
C1E720-B	Actuator-EGR-Bank 2	Grey	6	LH side of engine	ENGINE DIESEL 3.0L
C1E727	Sensor-Pressure-Fuel rail - DV6	Black	3	RH side of engine	ENGINE DIESEL 3.0L
C1E727	Sensor-Fuel rail-pressure	Black	3	Rear RH side of engine	ENGINE PETROL AJ133
C1E728	Sensor-Temperature-fuel	Black	2	Top of engine	ENGINE DIESEL 3.0L
C1E731	Sensor-Oxygen-Post catalyst-RH	Dark grey	4	RH side of gearbox	ENGINE PETROL AJ133
C1E733	Sensor-Oxygen-Post catalyst-LH	Dark grey	4	LH side of gearbox	ENGINE PETROL AJ133
C1E735	Sensor-Oxygen-Pre catalyst-RH	Black	4	RH side of gearbox	ENGINE PETROL AJ133
C1E735B	Sensor-Oxygen-Pre catalyst	Black	6	Gearbox - Rear	TRANSMISSION AUTO-DIESEL
C1E737	Sensor-Oxygen-Pre catalyst-LH	Black	4	LH side of gearbox	ENGINE PETROL AJ133
C1E743	Solenoid-EGR cooling bypass	Black	2	Rear RH side of engine	ENGINE DIESEL 3.0L
C1E747B	Sensor-Temperature-DPF-Intake	Brown	2	Gearbox - Rear	TRANSMISSION AUTO-DIESEL
C1E748B	Sensor-Temperature-DPF-Outlet	Dark grey	2	Gearbox - Rear	TRANSMISSION AUTO-DIESEL
C1E752B	Sensor-Outlet temperature-Fixed turbocharger	Black	2	Gearbox - Rear	TRANSMISSION AUTO-DIESEL
C1E801	Sensor-Knock (KS)	Black	2	Gearbox - Rear	TRANSMISSION AUTO-DIESEL
C1E802	Sensor-Knock (KS)	Black	2	Top of engine - RH side	KNOCK SENSORS PETROL
C1E803	Sensor-Manifold Absolute-Pressure (MAP) - DV6	Black	2	Top of engine - RH side	KNOCK SENSORS PETROL
C1E803	Sensor-Manifold Absolute-Pressure (MAP) - PV8	Black	3	Top of engine - RH side	ENGINE DIESEL 3.0L
C1E804	Sensor-Temperature and Manifold-Absolute Pressure (TMAP) - PV8	Grey	3	Front of engine - center	ENGINE PETROL AJ133
C1E804	Sensor-Temperature and Manifold-Absolute Pressure (TMAP) - DV6	Black	4	Rear LH side of engine	ENGINE PETROL AJ133
C1E807	Sensor-MAF/IAT	Black	2	Top of engine - RH side	ENGINE DIESEL 3.0L
C1E807B	Sensor-Mass air-flow (MAF) - DV6	Black	5	Front LH side of engine compartment	ENGINE PETROL AJ133
C1E807B	Sensor-Mass air-flow (MAF) - DV6	Green	4	Front LH side of engine compartment	ENGINE COMPARTMENT RH
C1E807B	Sensor-Mass air-flow (MAF) - DV6	Green	4	Front LH side of engine compartment	ENGINE COMPARTMENT LH
C1E808	Sensor-MAF/IAT	Black	5	Front RH side of engine compartment	ENGINE PETROL AJ133
C1E808B	Sensor-Mass air-flow (MAF) - DV6	Green	4	Front LH side of engine compartment	ENGINE COMPARTMENT RH
C1E808B	Sensor-Mass air-flow (MAF) - DV6	Green	4	Front LH side of engine compartment	ENGINE COMPARTMENT LH
C1E814-8	Actuator-Vane VGT - DV6	Black	5	Lower rear of engine - LH side	ENGINE DIESEL 3.0L
C1E818	Sensor-Throttle-position (TP)	Black	6	RH side of engine	ENGINE DIESEL 3.0L
C1E823	Water in fuel sensor	Black	3	LH side of engine compartment	ENGINE COMPARTMENT RH
C1E823	Water in fuel sensor	Black	3	LH side of engine compartment	ENGINE COMPARTMENT LH
C1E925	Active engine mounting solenoid	Black	2	Front RH side of engine compartment	ENGINE COMPARTMENT RH
C1E925	Active engine mounting solenoid	Black	2	Front RH side of engine compartment	ENGINE COMPARTMENT LH
C1EC01B	Control Unit-Cooling Fan	Black	4	Behind center of bumper	ENGINE COMPARTMENT RH
C1EC01B	Control Unit-Cooling Fan	Black	4	Behind center of bumper	ENGINE COMPARTMENT LH
C1ET34	Module-Transmission-control	Black	16	RH side of gearbox	ENGINE PETROL AJ133
C1H401	Valve-Solenoid-Refrigerant - DV6	Black	2	LH side of engine	ENGINE DIESEL 3.0L
C1H421	Air Conditioning (A/C) compressor Solenoid	Black	2	Lower front of engine - LH side	ENGINE PETROL AJ133

Connector	Description	Color	Cav	Location	Harness
C1H433	Sensor-Pressure-Air Conditioning	Black	3	Lower LH front of engine compartment	ENGINE COMPARTMENT RH
C1H433	Sensor-Pressure-Air Conditioning	Black	3	Lower LH front of engine compartment	ENGINE COMPARTMENT LH
C1H454	Sensor-Air quality	Black	6	Behind the front grille	ENGINE COMPARTMENT RH
C1H454	Sensor-Air quality	Black	6	Behind the front grille	ENGINE COMPARTMENT LH
C1LF08	Headlamp-LH	Black	16	Behind LH headlamp	ENGINE COMPARTMENT RH
C1LF08	Headlamp-LH	Black	16	Behind LH headlamp	ENGINE COMPARTMENT LH
C1LF09	Headlamp-RH	Black	16	Behind RH headlamp	ENGINE COMPARTMENT RH
C1LF09	Headlamp-RH	Black	16	Behind RH headlamp	ENGINE COMPARTMENT LH
C1LF39	Module-Headlamp control	Black	18	Passenger footwell	ENGINE COMPARTMENT LH
C1LF39	Module-Headlamp control	Black	18	Passenger footwell	ENGINE COMPARTMENT RH
C1MC19	Switch-Brake-fluid level	Black	2	Rear of engine compartment - driver side	ENGINE COMPARTMENT RH
C1MC19	Switch-Brake-fluid level	Black	2	Rear LH side of engine compartment	ENGINE COMPARTMENT LH
C1MC20	Sensor-Low washer-fluid level	Black	2	Behind RH front wheel arch liner	ENGINE COMPARTMENT RH
C1MC20	Sensor-Low washer-fluid level	Black	2	Behind RH front wheel arch liner	ENGINE COMPARTMENT LH
C1MC21A	Sensor-Engine coolant-level - DV6	Black	2	Front LH side of engine compartment	COOLING PACK DIESEL
C1MC21B	Sensor-Engine coolant-level - PV8SC	Black	2	Rear LH side of engine compartment	ENGINE COMPARTMENT RH
C1MC21B	Sensor-Engine coolant-level - PV8SC	Black	3	LH side of engine compartment	ENGINE COMPARTMENT LH
C1MC24	Switch-Oil pressure - DV6	Black	1	Top of engine	ENGINE DIESEL 3.0L
C1MC40	Initiator-Front-LH	Black	2	Behind LH front wheel arch liner	FRONT BUMPER
C1MC41	Initiator-Front-RH	Black	2	Behind RH front wheel arch liner	FRONT BUMPER
C1MF04	Adaptive speed control sensor	Black	5	Below LH front wheelarch	ENGINE COMPARTMENT RH
C1MF04	Adaptive speed control sensor	Black	5	Below LH front wheelarch	ENGINE COMPARTMENT LH
C1MP10	Sensor-Parking aid-Inner-Front-LH	Black	3	Behind LH side of front bumper	FRONT BUMPER
C1MP11	Sensor-Parking aid-Outer-Front-LH	Black	3	Behind LH side of front bumper	FRONT BUMPER
C1MP12	Sensor-Parking aid-Inner-Front-RH	Black	3	Behind RH side of front bumper	FRONT BUMPER
C1MP13	Sensor-Parking aid-Outer-Front-RH	Black	3	Behind RH side of front bumper	FRONT BUMPER
C1PL25	Hood ajar switch	Black	2	Front LH side of engine compartment	ENGINE COMPARTMENT RH
C1PL25	Hood ajar switch	Black	2	Front LH side of engine compartment	ENGINE COMPARTMENT LH
C1R213	Sensor-Front impact-Driver side	Black	2	Behind RH headlamp	ENGINE COMPARTMENT LH
C1R213	Sensor-Front impact-Passenger side	Black	2	Behind RH headlamp	ENGINE COMPARTMENT RH
C1R214	Sensor-Front impact-Driver side	Black	2	Front LH side of engine compartment	ENGINE COMPARTMENT RH
C1R214	Sensor-Front impact-Passenger side	Black	2	Front LH side of engine compartment	ENGINE COMPARTMENT LH
C1RH02	Horn(s)	Black	2	Behind the front grille	ENGINE COMPARTMENT RH
C1RH02	Horn(s)	Black	2	Behind the front grille	ENGINE COMPARTMENT LH
C1RP01	Pedestrian protection accelerometer-LH	Black	2	Behind LH side of front bumper	FRONT BUMPER
C1RP02	Pedestrian protection accelerometer-RH	Black	2	Behind RH side of front bumper	FRONT BUMPER
C1RP04	Actuator-Hood latch-RH	Yellow	2	Rear RH side of engine compartment	ENGINE COMPARTMENT LH
C1RP04	Actuator-Hood latch-RH	Yellow	2	Rear RH side of engine compartment	ENGINE COMPARTMENT RH
C1RP05	Actuator-Hood latch-LH	Yellow	2	Rear LH side of engine compartment	ENGINE COMPARTMENT LH
C1RP05	Actuator-Hood latch-LH	Yellow	2	Rear LH side of engine compartment	ENGINE COMPARTMENT RH

Connector	Description	Color	Cav	Location	Harness
C1RT02	Passive-sounder	Black	2	Rear LH side of engine compartment	ANTI THEFT BB SOUNDER
C1RT16	Sounder-Battery backed	Black	3	Rear LH side of engine compartment	ANTI THEFT BB SOUNDER
C1RW01	Motor-Wiper-Windscreen	Black	4	Rear RH side of engine compartment	ENGINE COMPARTMENT RH
C1RW01	Motor-Wiper-Windscreen	Black	4	Rear LH side of engine compartment	ENGINE COMPARTMENT LH
C1RW14	Pump-Washer-Windscreen	Black	2	Behind RH front wheel arch liner	ENGINE COMPARTMENT RH
C1RW14	Pump-Washer-Windscreen	Black	2	Behind RH front wheel arch liner	ENGINE COMPARTMENT LH
C1RW18	Pump-Power wash	Black	2	Behind RH front wheel arch liner	ENGINE COMPARTMENT RH
C1RW18	Pump-Power wash	Black	2	Behind RH front wheel arch liner	ENGINE COMPARTMENT LH
C22-A	Instrument panel harness to A/C harness	Black	4	Behind center of Instrument panel	ENGINE COMPARTMENT LH
C22-A	Instrument panel harness to A/C harness	Black	4	Behind center of Instrument panel	INSTRUMENT PANEL LHD
C22-A	Air conditioning (A/C) harness to instrument panel harness	Black	4	Behind center of Instrument panel	INSTRUMENT PANEL RHD
C22-A	Air conditioning (A/C) harness to instrument panel harness	Black	4	Behind center of Instrument panel	AIRCON LHD PETROL
C22-A	Air conditioning (A/C) harness to instrument panel harness	Black	4	Behind center of Instrument panel	AIRCON LHD DIESEL
C22-A	Air conditioning (A/C) harness to instrument panel harness	Black	4	Behind center of Instrument panel	AIRCON RHD PETROL
C22-A	Air conditioning (A/C) harness to instrument panel harness	Black	4	Behind center of Instrument panel	AIRCON RHD DIESEL
C22-B	Main harness to air conditioning (A/C) harness	Natural	2	Beneath instrument panel - RH side of tunnel	CABIN LH
C22-B	Main harness to air conditioning (A/C) harness	Natural	2	Beneath instrument panel - RH side of tunnel	CABIN RH
C22-B	Air conditioning (A/C) harness to main harness	Natural	2	Beneath instrument panel - RH side of tunnel	AIRCON LHD PETROL
C22-B	Air conditioning (A/C) harness to main harness	Natural	2	Beneath instrument panel - RH side of tunnel	AIRCON LHD DIESEL
C22-B	Air conditioning (A/C) harness to main harness	Natural	2	Beneath instrument panel - RH side of tunnel	AIRCON RHD PETROL
C22-B	Air conditioning (A/C) harness to main harness	Natural	2	Beneath instrument panel - RH side of tunnel	AIRCON RHD DIESEL
C22-C	PTC heater harness to main harness	Natural	1	Beneath center console RH side	PTC CABLE POSITIVE
C22-C	Main harness to PTC heater harness	Natural	1	Beneath center console RH side	CABIN LH
C22-C	Main harness to PTC heater harness	Natural	1	Beneath center console RH side	CABIN RH
C22-D	Instrument panel harness to clock harness	Green	16	Behind passenger side of Instrument panel	INSTRUMENT PANEL LHD
C22-D	Instrument panel harness to clock harness	Green	16	Behind passenger side of Instrument panel	INSTRUMENT PANEL RHD
C22-D	Clock harness to instrument panel harness	Green	16	Behind passenger side of Instrument panel	LINK CLOCK
C23-A	Instrument panel harness to ICE harness		1	Beneath center console LH side	INSTRUMENT PANEL LHD
C23-A	ICE harness to instrument panel harness		1	Beneath center console LH side	TELEMATICS
C23-A	Instrument panel harness to main harness		1	Beneath center console LH side	INSTRUMENT PANEL RHD
C29-A	Main harness to roof harness	Grey	8	Headlining - Front RH side	CABIN LH
C29-A	Main harness to roof harness	Grey	8	Headlining - Front RH side	CABIN RH
C29-A	Roof harness to main harness	Grey	8	Headlining - Front RH side	ROOF
C2CA29	Switch-Brake pedal	Natural	4	Driver footwell	ENGINE COMPARTMENT LH
C2CA29	Switch-Brake pedal	Natural	4	Driver footwell	ENGINE COMPARTMENT RH
C2CS06	Sensor-Steering-angle	Grey	4	Underside of steering column	INSTRUMENT PANEL RHD
C2CS06	Sensor-Steering-angle	Grey	4	RH side of steering column	INSTRUMENT PANEL LHD
C2DB04	Connector-MOST diagnostic	Black	2	Driver footwell	INSTRUMENT PANEL RHD
C2DB04	Connector-MOST diagnostic	Black	2	Driver footwell	INSTRUMENT PANEL LHD
C2DB04B	Diagnostic socket	Black	16	Driver footwell	INSTRUMENT PANEL RHD
C2DB04B	Diagnostic socket	Black	16	Driver footwell	INSTRUMENT PANEL LHD

Connector	Description	Color	Cav	Location	Harness
C2DC06	Module-Immobiliser antenna	Green	3	Under RH side of Instrument panel	INSTRUMENT PANEL RHD
C2DC06	Module-Immobiliser antenna	Green	3	Behind LH closing panel	INSTRUMENT PANEL LHD
C2DC38A	Switch-Start-stop	Black	4	Behind driver side of Instrument panel	INSTRUMENT PANEL RHD
C2DC38A	Switch-Start-stop	Black	4	Behind driver side of Instrument panel	INSTRUMENT PANEL LHD
C2E818A	Sensor-Position-Accelerator pedal	Black	6	Driver footwell	ENGINE COMPARTMENT LH
C2E818A	Sensor-Position-Accelerator pedal	Black	6	Driver footwell	ENGINE COMPARTMENT RH
C2H101A	Module-Climate Control	Natural	26	Climate control assembly	INSTRUMENT PANEL LHD
C2H101A	Module-Climate Control	Natural	26	Climate control assembly	INSTRUMENT PANEL RHD
C2H101C	Module-Climate Control	Natural	30	Climate control assembly	AIRCON RHD PETROL
C2H101C	Module-Climate Control	Natural	30	Climate control assembly	AIRCON RHD DIESEL
C2H101C	Module-Climate Control	Natural	30	Climate control assembly	AIRCON LHD PETROL
C2H101C	Module-Climate Control	Natural	30	Climate control assembly	AIRCON LHD DIESEL
C2H102	Module-Blower-motor control-Front	Black	5	Climate control assembly	ATC LHD
C2H102	Module-Blower-motor control-Front	Black	5	Climate control assembly	AIRCON RHD PETROL
C2H102	Module-Blower-motor control-Front	Black	5	Climate control assembly	AIRCON RHD DIESEL
C2H102	Module-Blower-motor control-Front	Black	5	Climate control assembly	AIRCON LHD PETROL
C2H102	Module-Blower-motor control-Front	Black	5	Climate control assembly	AIRCON LHD DIESEL
C2H123	Motor-Blower-Front	Black	2	Climate control assembly	ATC RHD
C2H123	Motor-Blower-Front	Black	2	Climate control assembly	AIRCON RHD PETROL
C2H123	Motor-Blower-Front	Black	2	Climate control assembly	AIRCON RHD DIESEL
C2H123	Motor-Blower-Front	Black	2	Climate control assembly	AIRCON LHD PETROL
C2H123	Motor-Blower-Front	Black	2	Climate control assembly	AIRCON LHD DIESEL
C2H206	Motor-Recirculated air	Green	7	RH side of climate control assembly	AIRCON RHD PETROL
C2H206	Motor-Recirculated air	Green	7	RH side of climate control assembly	AIRCON RHD DIESEL
C2H206	Motor-Recirculated air	Green	7	RH side of climate control assembly	AIRCON LHD PETROL
C2H206	Motor-Recirculated air	Green	7	RH side of climate control assembly	AIRCON LHD DIESEL
C2H227	Screen air distribution door motor	Black	4	RH side of climate control assembly	AIRCON RHD PETROL
C2H227	Screen air distribution door motor	Black	4	RH side of climate control assembly	AIRCON RHD DIESEL
C2H227	Screen air distribution door motor	Black	4	RH side of climate control assembly	AIRCON LHD PETROL
C2H227	Screen air distribution door motor	Black	4	RH side of climate control assembly	AIRCON LHD DIESEL
C2H251	Motor-Air distribution-Mix-Front-LH	Black	4	LH side of climate control assembly	AIRCON RHD PETROL
C2H251	Motor-Air distribution-Mix-Front-LH	Black	4	LH side of climate control assembly	AIRCON RHD DIESEL
C2H251	Motor-Air distribution-Mix-Front-LH	Black	4	LH side of climate control assembly	AIRCON LHD PETROL
C2H251	Motor-Air distribution-Mix-Front-LH	Black	4	LH side of climate control assembly	AIRCON LHD DIESEL
C2H252	Motor-Air distribution-Mix-Front-RH	Black	4	RH side of climate control assembly	AIRCON RHD PETROL
C2H252	Motor-Air distribution-Mix-Front-RH	Black	4	RH side of climate control assembly	AIRCON RHD DIESEL
C2H252	Motor-Air distribution-Mix-Front-RH	Black	4	RH side of climate control assembly	AIRCON LHD PETROL
C2H252	Motor-Air distribution-Mix-Front-RH	Black	4	RH side of climate control assembly	AIRCON LHD DIESEL
C2H253	Motor-Air distribution-Mix-Rear-LH	Black	4	LH side of climate control assembly	AIRCON RHD PETROL
C2H253	Motor-Air distribution-Mix-Rear-LH	Black	4	LH side of climate control assembly	AIRCON RHD DIESEL

Connector	Description	Color	Cav	Location	Harness
C2H253	Motor-Air distribution-Mix-Rear-LH	Black	4	LH side of climate control assembly	AIRCON LHD PETROL
C2H253	Motor-Air distribution-Mix-Rear-LH	Black	4	LH side of climate control assembly	AIRCON LHD DIESEL
C2H254	Motor-Air distribution-Mix-Rear-RH	Black	4	RH side of climate control assembly	AIRCON RHD PETROL
C2H254	Motor-Air distribution-Mix-Rear-RH	Black	4	RH side of climate control assembly	AIRCON RHD DIESEL
C2H254	Motor-Air distribution-Mix-Rear-RH	Black	4	RH side of climate control assembly	AIRCON LHD PETROL
C2H254	Motor-Air distribution-Mix-Rear-RH	Black	4	RH side of climate control assembly	AIRCON LHD DIESEL
C2H255	Motor-Air distribution-Feet-Front-LH	Black	4	LH side of climate control assembly	AIRCON RHD PETROL
C2H255	Motor-Air distribution-Feet-Front-LH	Black	4	LH side of climate control assembly	AIRCON RHD DIESEL
C2H255	Motor-Air distribution-Feet-Front-LH	Black	4	LH side of climate control assembly	AIRCON LHD PETROL
C2H255	Motor-Air distribution-Feet-Front-LH	Black	4	LH side of climate control assembly	AIRCON LHD DIESEL
C2H256	Motor-Air distribution-Feet-Front-RH	Black	4	RH side of climate control assembly	AIRCON RHD PETROL
C2H256	Motor-Air distribution-Feet-Front-RH	Black	4	RH side of climate control assembly	AIRCON RHD DIESEL
C2H256	Motor-Air distribution-Feet-Front-RH	Black	4	RH side of climate control assembly	AIRCON LHD PETROL
C2H256	Motor-Air distribution-Feet-Front-RH	Black	4	RH side of climate control assembly	AIRCON LHD DIESEL
C2H257	Motor-Air distribution-Feet-Rear-LH	Black	4	LH side of climate control assembly	AIRCON RHD PETROL
C2H257	Motor-Air distribution-Feet-Rear-LH	Black	4	LH side of climate control assembly	AIRCON RHD DIESEL
C2H257	Motor-Air distribution-Feet-Rear-LH	Black	4	LH side of climate control assembly	AIRCON LHD PETROL
C2H257	Motor-Air distribution-Feet-Rear-LH	Black	4	LH side of climate control assembly	AIRCON LHD DIESEL
C2H258	Motor-Air distribution-Feet-Rear-RH	Black	4	RH side of climate control assembly	AIRCON RHD PETROL
C2H258	Motor-Air distribution-Feet-Rear-RH	Black	4	RH side of climate control assembly	AIRCON RHD DIESEL
C2H258	Motor-Air distribution-Feet-Rear-RH	Black	4	RH side of climate control assembly	AIRCON LHD PETROL
C2H258	Motor-Air distribution-Feet-Rear-RH	Black	4	RH side of climate control assembly	AIRCON LHD DIESEL
C2H259	Motor-Air distribution-Face-Front-LH	Black	4	RH side of climate control assembly	AIRCON RHD PETROL
C2H259	Motor-Air distribution-Face-Front-LH	Black	4	RH side of climate control assembly	AIRCON RHD DIESEL
C2H259	Motor-Air distribution-Face-Front-LH	Black	4	LH side of climate control assembly	AIRCON LHD PETROL
C2H259	Motor-Air distribution-Face-Front-LH	Black	4	LH side of climate control assembly	AIRCON LHD DIESEL
C2H260	Motor-Air distribution-Face-Front-RH	Black	4	RH side of climate control assembly	AIRCON RHD PETROL
C2H260	Motor-Air distribution-Face-Front-RH	Black	4	RH side of climate control assembly	AIRCON RHD DIESEL
C2H260	Motor-Air distribution-Face-Front-RH	Black	4	RH side of climate control assembly	AIRCON LHD PETROL
C2H260	Motor-Air distribution-Face-Front-RH	Black	4	RH side of climate control assembly	AIRCON LHD DIESEL
C2H261	Motor-Air distribution-Face-Rear-LH	Black	4	RH side of climate control assembly	AIRCON RHD PETROL
C2H261	Motor-Air distribution-Face-Rear-LH	Black	4	RH side of climate control assembly	AIRCON RHD DIESEL
C2H261	Motor-Air distribution-Face-Rear-LH	Black	4	LH side of climate control assembly	AIRCON LHD PETROL
C2H261	Motor-Air distribution-Face-Rear-LH	Black	4	LH side of climate control assembly	AIRCON LHD DIESEL
C2H262	Motor-Air distribution-Face-Rear-RH	Black	4	RH side of climate control assembly	AIRCON RHD PETROL
C2H262	Motor-Air distribution-Face-Rear-RH	Black	4	RH side of climate control assembly	AIRCON RHD DIESEL
C2H262	Motor-Air distribution-Face-Rear-RH	Black	4	RH side of climate control assembly	AIRCON LHD PETROL
C2H262	Motor-Air distribution-Face-Rear-RH	Black	4	RH side of climate control assembly	AIRCON LHD DIESEL
C2H406	Sensor-Evaporator	Natural	2	RH side of climate control assembly	AIRCON RHD PETROL
C2H406	Sensor-Evaporator	Natural	2	RH side of climate control assembly	AIRCON RHD DIESEL

Connector	Description	Color	Cav	Location	Harness
C2H406	Sensor-Evaporator	Natural	2	RH side of climate control assembly	AIRCON LHD PETROL
C2H406	Sensor-Evaporator	Natural	2	RH side of climate control assembly	AIRCON LHD DIESEL
C2H414	Sensor-Temperature-In-car	Grey	6	Behind driver side of Instrument panel	INSTRUMENT PANEL LHD
C2H414	Sensor-Temperature-In-car	Grey	6	Behind driver side of Instrument panel	INSTRUMENT PANEL RHD
C2H415A	Sensor-Sunload-Front	Grey	4	Instrument panel - top center	LINK CLOCK
C2HP01A	Heater-Electric booster	Black	2	Under LH side of Instrument panel	AIRCON RHD DIESEL
C2HP01A	Heater-Electric booster	Black	2	Under LH side of Instrument panel	AIRCON LHD DIESEL
C2HP01B	Heater-Electric booster	Red	1	Under LH side of Instrument panel	PTC CABLE POSITIVE
C2HP01C	Heater-Electric booster	Black	1	Under LH side of Instrument panel	PTC CABLE NEGATIVE
C2LF23	Switch-Auxiliary lighting	Black	12	Under RH side of Instrument panel	INSTRUMENT PANEL RHD
C2LF23	Switch-Auxiliary lighting	Black	12	Behind driver side of Instrument panel	INSTRUMENT PANEL LHD
C2LF27	Switch-Steering column-Lighting	Black	6	Behind driver side of Instrument panel	INSTRUMENT PANEL RHD
C2LF27	Switch-Steering column-Lighting	Black	6	Behind steering column cowl	INSTRUMENT PANEL LHD
C2LN12	Switch-Glove-compartment	Black	2	Passenger footwell	INSTRUMENT PANEL LHD
C2LN12	Switch-Glove-compartment	Black	2	Behind glove compartment	INSTRUMENT PANEL RHD
C2LN15	Lamp-Glove compartment	Black	2	Behind glove compartment	INSTRUMENT PANEL LHD
C2LN15	Lamp-Glove compartment	Black	2	Behind glove compartment	INSTRUMENT PANEL RHD
C2LN38	Lamp-Footwell-Front-LH	Black	2	Behind glove compartment	INSTRUMENT PANEL LHD
C2LN38	Lamp-Footwell-Front-LH	Natural	2	Climate control assembly	INSTRUMENT PANEL RHD
C2LN38	Lamp-Footwell-Front-LH	Natural	2	Behind LH closing panel	INSTRUMENT PANEL RHD
C2LN39	Lamp-Footwell-Front-RH	Natural	2	Passenger footwell	INSTRUMENT PANEL LHD
C2LN39	Lamp-Footwell-Front-RH	Natural	2	Driver footwell	INSTRUMENT PANEL RHD
C2LN81	Illumination-Vent-Outer-Front-LH	Black	2	Behind passenger side of Instrument panel	INSTRUMENT PANEL RHD
C2LN81	Illumination-Vent-Outer-Front-LH	Black	2	Behind driver side of Instrument panel	INSTRUMENT PANEL LHD
C2LN82	Illumination-Vent-Inner-Front-LH	Black	2	Behind center of Instrument panel	INSTRUMENT PANEL LHD
C2LN82	Illumination-Vent-Inner-Front-LH	Black	2	Behind center of Instrument panel	INSTRUMENT PANEL RHD
C2LN83	Illumination-Vent-Inner-Front-RH	Black	2	Behind center of Instrument panel	INSTRUMENT PANEL LHD
C2LN83	Illumination-Vent-Inner-Front-RH	Black	2	Behind center of Instrument panel	INSTRUMENT PANEL RHD
C2LN84	Illumination-Vent-Outer-Front-RH	Black	2	Behind passenger side of Instrument panel	INSTRUMENT PANEL LHD
C2LN84	Illumination-Vent-Outer-Front-RH	Black	2	Behind driver side of Instrument panel	INSTRUMENT PANEL RHD
C2MC01A	Instrument cluster	Black	32	Behind instrument cluster	INSTRUMENT PANEL LHD
C2MC01A	Instrument cluster	Black	32	Behind instrument cluster	INSTRUMENT PANEL RHD
C2MC01B	Instrument cluster	Black	2	Behind instrument cluster	INSTRUMENT PANEL LHD
C2MC01B	Instrument cluster	Black	2	Behind instrument cluster	INSTRUMENT PANEL RHD
C2MC01C	Instrument cluster	Black	1	Behind instrument cluster	INSTRUMENT PANEL LHD
C2MC01C	Instrument cluster	Black	1	Behind instrument cluster	INSTRUMENT PANEL RHD
C2MC02A	Touch screen display	Grey	16	Behind front touch screen display	INSTRUMENT PANEL LHD
C2MC02A	Touch screen display	Grey	16	Behind front touch screen display	INSTRUMENT PANEL RHD
C2MC02B	Touch screen display	Black	2	Behind front touch screen display	INSTRUMENT PANEL LHD
C2MC02B	Touch screen display	Black	2	Behind front touch screen display	INSTRUMENT PANEL RHD
C2MC02C	Touch screen display	Black	1	Behind front touch screen display	INSTRUMENT PANEL LHD

Connector	Description	Color	Cav	Location	Harness
C2MC02C	Touch screen display		1	Behind front touch screen display	INSTRUMENT PANEL RHD
C2MC02D	Touch screen display		1	Behind front touch screen display	INSTRUMENT PANEL LHD
C2MC02D	Touch screen display		1	Behind front touch screen display	INSTRUMENT PANEL RHD
C2MC02E	Touch screen display		1	Behind front touch screen display	INSTRUMENT PANEL LHD
C2MC02E	Touch screen display		1	Behind front touch screen display	INSTRUMENT PANEL RHD
C2MC02J	Touch screen display		1	Behind front touch screen display	INSTRUMENT PANEL LHD
C2MC02J	Touch screen display		1	Behind front touch screen display	INSTRUMENT PANEL RHD
C2MC02K	Touch screen display		1	Behind front touch screen display	INSTRUMENT PANEL LHD
C2MC02K	Touch screen display		1	Behind front touch screen display	INSTRUMENT PANEL RHD
C2MC03F	Touch screen display		1	Behind front touch screen display	INSTRUMENT PANEL LHD
C2MC03F	Touch screen display		1	Behind front touch screen display	INSTRUMENT PANEL RHD
C2MC31A	Clock	Black	4	Behind clock	LINK CLOCK
C2MC49	Fan-Cooling-Instrument panel	Black	4	Behind driver side of Instrument panel	INSTRUMENT PANEL LHD
C2MC49	Fan-Cooling-Instrument panel	Black	4	Behind driver side of Instrument panel	INSTRUMENT PANEL RHD
C2ME03A	Integrated audio module	Light grey	14	Behind center of Instrument panel	INSTRUMENT PANEL LHD
C2ME03A	Integrated audio module	Light grey	14	Behind center of Instrument panel	INSTRUMENT PANEL RHD
C2ME03C	Integrated audio module		1	Behind center of Instrument panel	INSTRUMENT PANEL LHD
C2ME03C	Integrated audio module		1	Behind center of Instrument panel	INSTRUMENT PANEL RHD
C2ME03D	Integrated audio module	Black	2	Behind center of Instrument panel	INSTRUMENT PANEL LHD
C2ME03D	Integrated audio module	Black	2	Behind center of Instrument panel	INSTRUMENT PANEL RHD
C2ME03E	Integrated audio module		1	Behind center of Instrument panel	INSTRUMENT PANEL LHD
C2ME03E	Integrated audio module		1	Behind center of Instrument panel	INSTRUMENT PANEL RHD
C2ME03F	Integrated audio module		1	Behind center of Instrument panel	INSTRUMENT PANEL LHD
C2ME03F	Integrated audio module		1	Behind center of Instrument panel	INSTRUMENT PANEL RHD
C2ME03G	Integrated audio module		1	Behind center of Instrument panel	INSTRUMENT PANEL LHD
C2ME03G	Integrated audio module		1	Behind center of Instrument panel	INSTRUMENT PANEL RHD
C2ME03H	Integrated audio module		1	Behind center of Instrument panel	INSTRUMENT PANEL LHD
C2ME03H	Integrated audio module		1	Behind center of Instrument panel	INSTRUMENT PANEL RHD
C2ME03J	Integrated audio module		1	Behind center of Instrument panel	INSTRUMENT PANEL LHD
C2ME03J	Integrated audio module		1	Behind center of Instrument panel	INSTRUMENT PANEL RHD
C2ME06	Center speaker	Black	2	Instrument panel - top center	LINK CLOCK
C2ME14A	Integrated control panel	Black	10	Behind center of Instrument panel	INSTRUMENT PANEL RHD
C2ME14A	Integrated control panel	Black	10	Behind center of Instrument panel	INSTRUMENT PANEL LHD
C2ME37A	Console-Portable audio interface	Black	4	Beneath center console LH side	CENTRE CONSOLE
C2ME37B	Console-Portable audio interface		1	Beneath center console RH side	CENTRE CONSOLE
C2MF01	Module-Speed control	Beige	30	Behind driver side of Instrument panel	INSTRUMENT PANEL LHD
C2MF01	Module-Speed control	Beige	30	Behind driver side of Instrument panel	INSTRUMENT PANEL RHD
C2MT02A	Antenna-VICS		1	LH 'A' post	INSTRUMENT PANEL RHD
C2MT02A	Antenna-VICS		1	Behind driver side of Instrument panel	INSTRUMENT PANEL LHD
C2PP03	Assembly-Steering column	Black	10	Underside of steering column	INSTRUMENT PANEL RHD

Connector	Description	Color	Cav	Location	Harness
C2PP03	Assembly-Steering column	Black	10	RH side of steering column	INSTRUMENT PANEL LHD
C2PP11	Switch-Steering column adjustment	Black	8	Behind steering column cowl	INSTRUMENT PANEL RHD
C2PP11	Switch-Steering column adjustment	Black	8	Behind steering column cowl	INSTRUMENT PANEL LHD
C2PR07	Latch-Glove compartment	Black	2	Behind glove compartment	INSTRUMENT PANEL LHD
C2PR07	Latch-Glove compartment	Black	2	Behind glove compartment	INSTRUMENT PANEL RHD
C2PR08	Module-Glove compartment control	Black	3	Behind passenger side of Instrument panel	INSTRUMENT PANEL RHD
C2PR08	Module-Glove compartment control	Black	3	Behind glove compartment	INSTRUMENT PANEL LHD
C2R103A	Module-Air bag-Passenger		1	Behind passenger air bag module	INSTRUMENT PANEL LHD
C2R103A	Module-Air bag-Passenger		1	Behind passenger air bag module	AIRBAG LINK
C2R103A	Module-Air bag-Passenger		1	Behind passenger air bag module	INSTRUMENT PANEL RHD
C2R103B	Module-Air bag-Passenger		1	Behind passenger air bag module	INSTRUMENT PANEL LHD
C2R103B	Module-Air bag-Passenger		1	Behind passenger air bag module	AIRBAG LINK
C2R103B	Module-Air bag-Passenger		1	Behind passenger air bag module	INSTRUMENT PANEL RHD
C2R103C	Module-Air bag-Passenger	Natural	1	Behind passenger air bag module	INSTRUMENT PANEL LHD
C2R103C	Module-Air bag-Passenger	Natural	1	Behind passenger air bag module	INSTRUMENT PANEL RHD
C2R103C	Module-Air bag-Passenger	Natural	1	Behind passenger air bag module	INSTRUMENT PANEL RHD
C2R103C	Module-Air bag-Passenger	Natural	1	Behind passenger air bag module	AIRBAG LINK
C2R115A	Clock spring	Natural	10	In center of steering wheel	INSTRUMENT PANEL LHD
C2R115A	Clock spring	Natural	10	In center of steering wheel	INSTRUMENT PANEL RHD
C2R115D	Slip rings-Steering wheel	Light grey	2	In center of steering wheel	INSTRUMENT PANEL LHD
C2R115D	Slip rings-Steering wheel	Light grey	2	In center of steering wheel	INSTRUMENT PANEL RHD
C2R224	Switch-Passenger air bag disable (dealer installation)	Green	6	Behind glove compartment	LINK
C2RT03	Module-steering column locking	Black	4	Behind instrument cluster	INSTRUMENT PANEL LHD
C2RT03	Module-steering column locking	Black	4	Behind instrument cluster	INSTRUMENT PANEL RHD
C2RW08	Switch-Steering column-Wiper	Black	6	Behind steering column cowl	INSTRUMENT PANEL RHD
C2RW08	Switch-Steering column-Wiper	Black	6	Behind steering column cowl	INSTRUMENT PANEL LHD
C31-A	Main harness to engine compartment harness	Grey	24	RH 'A' post	CABIN LH
C31-A	Main harness to engine compartment harness	Grey	24	RH 'A' post	CABIN RH
C31-A	Engine compartment harness to main harness	Grey	24	RH 'A' post	ENGINE COMPARTMENT LH
C31-A	Engine compartment harness to main harness	Grey	24	RH 'A' post	ENGINE COMPARTMENT RH
C31-B	Main harness to engine compartment harness	Black	20	RH 'A' post	CABIN LH
C31-B	Main harness to engine compartment harness	Black	20	RH 'A' post	CABIN RH
C31-B	Engine compartment harness to main harness	Black	20	RH 'A' post	ENGINE COMPARTMENT LH
C31-B	Engine compartment harness to main harness	Black	20	RH 'A' post	ENGINE COMPARTMENT RH
C31-C	Main harness to engine compartment harness	Green	16	RH 'A' post	CABIN LH
C31-C	Main harness to engine compartment harness	Green	16	RH 'A' post	CABIN RH
C31-C	Engine compartment harness to main harness	Green	16	RH 'A' post	ENGINE COMPARTMENT LH
C31-C	Engine compartment harness to main harness	Green	16	RH 'A' post	ENGINE COMPARTMENT RH
C31-D	Main harness to engine compartment harness	Grey	24	LH 'A' post	CABIN LH
C31-D	Main harness to engine compartment harness	Grey	24	LH 'A' post	CABIN RH
C31-D	Engine compartment harness to main harness	Grey	24	LH 'A' post	ENGINE COMPARTMENT LH

Connector	Description	Color	Cav	Location	Harness
C31-D	Engine compartment harness to main harness	Grey	24	LH 'A' post	ENGINE COMPARTMENT RH
C31-E	Main harness to engine compartment harness	Dark grey	22	LH 'A' post	CABIN LH
C31-E	Main harness to engine compartment harness	Dark grey	22	LH 'A' post	CABIN RH
C31-E	Engine compartment harness to main harness	Dark grey	22	LH 'A' post	ENGINE COMPARTMENT LH
C31-E	Engine compartment harness to main harness	Dark grey	22	LH 'A' post	ENGINE COMPARTMENT RH
C31-F	Main harness to engine compartment harness	Green	22	LH 'A' post	CABIN LH
C31-F	Main harness to engine compartment harness	Green	22	LH 'A' post	CABIN RH
C31-F	Engine compartment harness to main harness	Green	22	LH 'A' post	ENGINE COMPARTMENT LH
C31-F	Engine compartment harness to main harness	Green	22	LH 'A' post	ENGINE COMPARTMENT RH
C31-F	Engine compartment harness to main harness	Green	22	LH 'A' post	INSTRUMENT PANEL RHD
C31-F	Engine compartment harness to main harness	Green	22	LH 'A' post	INSTRUMENT PANEL LHD
C32-A	Instrument panel harness to main harness	Light grey	14	Under RH side of Instrument panel	CABIN LH
C32-A	Instrument panel harness to main harness	Light grey	14	Behind passenger side of Instrument panel	CABIN RH
C32-A	Main harness to instrument panel harness	Light grey	14	Under RH side of Instrument panel	CABIN LH
C32-A	Main harness to instrument panel harness	Light grey	14	Behind passenger side of Instrument panel	CABIN RH
C32-B	Instrument panel harness to main harness	Light grey	12	Behind passenger side of Instrument panel	INSTRUMENT PANEL RHD
C32-B	Instrument panel harness to main harness	Light grey	12	Behind driver side of Instrument panel	INSTRUMENT PANEL LHD
C32-B	Main harness to instrument panel harness	Light grey	12	Behind passenger side of Instrument panel	CABIN RH
C32-B	Main harness to instrument panel harness	Light grey	12	Behind driver side of Instrument panel	CABIN LH
C32-C	Instrument panel harness to ICE harness	Green	16	Behind driver side of Instrument panel	INSTRUMENT PANEL LHD
C32-C	Instrument panel harness to ICE harness	Green	16	Beneath center console LH side	INSTRUMENT PANEL RHD
C32-C	ICE harness to instrument panel harness	Green	16	Beneath center console LH side	TELEMATICS
C32-D	Instrument panel harness to main harness	Natural	20	Under RH side of Instrument panel	INSTRUMENT PANEL RHD
C32-D	Instrument panel harness to main harness	Natural	20	Behind passenger side of Instrument panel	INSTRUMENT PANEL LHD
C32-D	Main harness to instrument panel harness	Natural	20	Under RH side of Instrument panel	CABIN RH
C32-D	Main harness to instrument panel harness	Natural	20	Behind passenger side of Instrument panel	CABIN LH
C32-D	Link harness to instrument panel harness		1	Passenger 'A' post	LINK
C32-E	Instrument panel harness to main harness	Green	16	Behind passenger side of Instrument panel	INSTRUMENT PANEL RHD
C32-E	Instrument panel harness to main harness	Green	16	Behind driver side of Instrument panel	INSTRUMENT PANEL LHD
C32-E	Main harness to instrument panel harness	Green	16	Behind passenger side of Instrument panel	CABIN RH
C32-E	Main harness to instrument panel harness	Green	16	Behind driver side of Instrument panel	CABIN LH
C32-E	Link harness to instrument panel harness		1	Behind glove compartment	LINK
C32-F	Instrument panel harness to ICE harness	Dark grey	22	Beneath center console RH side	INSTRUMENT PANEL LHD
C32-F	Instrument panel harness to ICE harness	Dark grey	22	Beneath center console RH side	INSTRUMENT PANEL RHD
C32-F	ICE harness to instrument panel harness	Dark grey	22	Beneath center console RH side	TELEMATICS
C32-G	Instrument panel harness to ICE harness		1	Beneath center console LH side	INSTRUMENT PANEL LHD
C32-G	Instrument panel harness to ICE harness		1	Beneath center console LH side	INSTRUMENT PANEL RHD
C32-G	ICE harness to instrument panel harness		1	Beneath center console LH side	TELEMATICS
C32-H	Instrument panel harness to ICE harness		1	Beneath center console RH side	INSTRUMENT PANEL LHD
C32-H	Instrument panel harness to ICE harness		1	Beneath center console RH side	INSTRUMENT PANEL RHD
C32-H	ICE harness to instrument panel harness		1	Beneath center console RH side	TELEMATICS
C32-J	Instrument panel harness to ICE harness		1	Beneath center console LH side	INSTRUMENT PANEL LHD

Connector	Description	Color	Cav	Location	Harness
C32-J	Instrument panel harness to ICE harness		1	Beneath center console LH side	INSTRUMENT PANEL RHD
C32-J	ICE harness to instrument panel harness		1	Beneath center console LH side	TELEMATICS
C32-K	Instrument panel harness to main harness	Grey	4	Under RH side of Instrument panel	INSTRUMENT PANEL RHD
C32-K	Instrument panel harness to main harness	Grey	4	Behind driver side of Instrument panel	INSTRUMENT PANEL LHD
C32-K	Main harness to instrument panel harness	Grey	4	Under RH side of Instrument panel	CABIN RH
C32-K	Main harness to instrument panel harness	Grey	4	Behind driver side of Instrument panel	CABIN LH
C32-L	Instrument panel harness to main harness	Grey	4	Behind passenger side of Instrument panel	INSTRUMENT PANEL LHD
C32-L	Instrument panel harness to main harness	Grey	4	Behind passenger side of Instrument panel	INSTRUMENT PANEL RHD
C32-L	Main harness to instrument panel harness	Grey	4	Behind passenger side of Instrument panel	CABIN LH
C32-L	Main harness to instrument panel harness	Grey	4	Behind passenger side of Instrument panel	CABIN RH
C32-M	Center console harness to instrument panel harness	Black	4	Beneath center console RH side	CENTRE CONSOLE
C32-M	Instrument panel harness to Center console harness	Black	4	Beneath center console RH side	INSTRUMENT PANEL LHD
C32-M	Instrument panel harness to Center console harness	Black	4	Beneath center console RH side	INSTRUMENT PANEL RHD
C32-N	Center console harness to instrument panel harness		1	Beneath center console RH side	CENTRE CONSOLE
C32-N	Instrument panel harness to Center console harness		1	Beneath center console RH side	INSTRUMENT PANEL LHD
C32-N	Instrument panel harness to Center console harness		1	Beneath center console RH side	INSTRUMENT PANEL RHD
C32-P	Instrument panel harness to ICE harness	Black	2	Beneath center console RH side	INSTRUMENT PANEL LHD
C32-P	Instrument panel harness to ICE harness	Black	2	Beneath center console RH side	INSTRUMENT PANEL RHD
C32-P	ICE harness to instrument panel harness	Black	2	Beneath center console RH side	INSTRUMENT PANEL RHD
C32-S	Instrument panel harness to ICE harness		1	Beneath center console LH side	TELEMATICS
C32-S	Instrument panel harness to ICE harness		1	Beneath center console LH side	INSTRUMENT PANEL LHD
C32-S	Instrument panel harness to ICE harness		1	Beneath center console LH side	INSTRUMENT PANEL RHD
C32-T	ICE harness to instrument panel harness		1	Beneath center console LH side	TELEMATICS
C32-T	Instrument panel harness to ICE harness		1	Beneath center console LH side	INSTRUMENT PANEL LHD
C32-T	Instrument panel harness to ICE harness		1	Beneath center console LH side	INSTRUMENT PANEL RHD
C32-T	ICE harness to instrument panel harness		1	Beneath center console LH side	TELEMATICS
C32-U	Instrument panel harness to ICE harness		1	Beneath center console LH side	INSTRUMENT PANEL LHD
C32-U	Instrument panel harness to ICE harness		1	Beneath center console LH side	INSTRUMENT PANEL RHD
C32-U	ICE harness to instrument panel harness		1	Beneath center console LH side	TELEMATICS
C33-A	Seat harness to main harness	Light grey	3	Beneath driver seat	SEAT LH
C33-A	Seat harness to main harness	Light grey	12	Beneath driver seat	SEAT LH
C33-A	Seat harness to main harness	Light grey	12	Beneath driver seat	SEAT RH
C33-A	Seat harness to main harness	Light grey	3	Beneath RH Front seat	SEAT RH
C33-A	Main harness to seat harness	Light grey	3	Beneath RH Front seat	CABIN RH
C33-A	Main harness to seat harness	Light grey	12	Beneath LH Front seat	CABIN LH
C33-AB	Seat link harness to display link harness	Green	3	Behind front seat backrest	SEAT REAR SCREEN LINK
C33-AB	Display link harness to seat link harness		1	Behind front seat backrest	REAR VIDEO DISPLAY LINK
C33-AC	ICE harness to link harness		1	Beneath front seat	TELEMATICS
C33-AE	ICE harness to seat link harness		1	Beneath LH Front seat	TELEMATICS
C33-AE	Seat link harness to ice harness		1	Beneath front seat	SEAT REAR SCREEN LINK
C33-AF	Seat link harness to display link harness		1	Behind front seat backrest	SEAT REAR SCREEN LINK

Connector	Description	Color	Cav	Location	Harness
C33-AF	Display link harness to seat link harness		1	Behind front seat backrest	REAR VIDEO DISPLAY LINK
C33-AG	Front seat harness to massage harness	Black	16	Behind driver seat backrest	SEAT LH
C33-AG	Front seat harness to massage harness	Black	16	Behind driver seat backrest	SEAT RH
C33-AH	Front seat harness to massage harness	Black	16	Behind passenger seat backrest	SEAT RH
C33-AH	Front seat harness to massage harness	Black	16	Behind passenger seat backrest	SEAT LH
C33-AK	ICE harness to link harness	Grey	8	Beneath RH Front seat	TELEMATICS
C33-AM	Seat link harness to display link harness	Green	2	Behind front seat backrest	SEAT REAR SCREEN LINK
C33-AM	Display link harness to seat link harness		1	Behind front seat backrest	REAR VIDEO DISPLAY LINK
C33-AP	Telematics harness to rear console harness		1	Beneath rear seat - LH Side	TELEMATICS
C33-AP	Rear console harness to telematics harness		1	Beneath rear seat - LH Side	CONSOLE REAR
C33-B	Seat harness to main harness	Grey	4	Beneath driver seat	SEAT LH
C33-B	Seat harness to main harness	Grey	4	Beneath driver seat	SEAT LH
C33-B	Seat harness to main harness	Grey	4	Beneath driver seat	SEAT RH
C33-B	Seat harness to main harness	Grey	4	Beneath RH Front seat	SEAT RH
C33-B	Main harness to seat harness	Grey	4	Beneath RH Front seat	CABIN RH
C33-B	Main harness to seat harness	Grey	4	Beneath LH Front seat	CABIN LH
C33-C	Seat harness to main harness	Light grey	12	Beneath front passenger seat	SEAT RH
C33-C	Seat harness to main harness	Light grey	12	Beneath front passenger seat	SEAT RH
C33-C	Seat harness to main harness	Light grey	12	Beneath front passenger seat	SEAT LH
C33-C	Seat harness to main harness	Light grey	12	Beneath LH Front seat	SEAT LH
C33-C	Main harness to seat harness	Light grey	12	Beneath RH Front seat	CABIN LH
C33-C	Main harness to seat harness	Light grey	12	Beneath LH Front seat	CABIN RH
C33-D	Seat harness to main harness	Dark grey	22	Beneath front passenger seat	SEAT RH
C33-D	Seat harness to main harness	Grey	4	Beneath front passenger seat	SEAT RH
C33-D	Seat harness to main harness	Dark grey	22	Beneath front passenger seat	SEAT LH
C33-D	Seat harness to main harness	Dark grey	22	Beneath LH Front seat	SEAT LH
C33-D	Main harness to seat harness	Grey	4	Beneath RH Front seat	CABIN LH
C33-D	Main harness to seat harness	Grey	4	Beneath LH Front seat	CABIN RH
C33-E	Main harness to telematics harness	Green	22	Behind rear seat backrest - LH side	CABIN LH
C33-E	Main harness to telematics harness	Green	22	Behind rear seat backrest - LH side	CABIN RH
C33-E	Telematics harness to main harness	Green	22	Behind rear seat backrest - LH side	TELEMATICS
C33-F	Main harness to telematics harness	Dark grey	22	Behind rear seat backrest - LH side	CABIN LH
C33-F	Main harness to telematics harness	Dark grey	22	Behind rear seat backrest - LH side	CABIN RH
C33-F	Telematics harness to main harness	Dark grey	22	Behind rear seat backrest - LH side	TELEMATICS
C33-H	Main harness to console harness	Grey	24	Beneath center console LH side	CABIN LH
C33-H	Main harness to console harness	Grey	24	Beneath center console LH side	CABIN RH
C33-H	Console harness to main harness	Grey	24	Beneath center console LH side	CENTRE CONSOLE
C33-J	Seat harness to main harness	Grey	4	Beneath driver seat	SEAT LH
C33-J	Seat harness to main harness	Dark grey	22	Beneath driver seat	SEAT LH
C33-J	Seat harness to main harness	Dark grey	22	Beneath driver seat	SEAT RH

Connector	Description	Color	Cav	Location	Harness
C33-J	Seat harness to main harness	Grey	4	Beneath RH Front seat	SEAT RH
C33-J	Main harness to seat harness	Dark grey	22	Beneath driver seat	CABIN LH
C33-J	Main harness to seat harness	Dark grey	22	Beneath RH Front seat	CABIN RH
C33-K	Seat harness to main harness	Dark grey	1	Beneath front passenger seat	SEAT RH
C33-K	Seat harness to main harness	Dark grey	22	Beneath front passenger seat	SEAT RH
C33-K	Seat harness to main harness	Dark grey	22	Beneath front passenger seat	SEAT LH
C33-K	Seat harness to main harness	Dark grey	1	Beneath LH Front seat	SEAT LH
C33-K	Main harness to seat harness	Dark grey	22	Beneath RH Front seat	CABIN LH
C33-K	Main harness to seat harness	Dark grey	22	Beneath LH Front seat	CABIN RH
C33-M	Main harness to telematics harness	Light grey	10	Beneath RH Front seat	CABIN LH
C33-M	Main harness to telematics harness	Light grey	10	Beneath RH Front seat	CABIN RH
C33-M	Telematics harness to main harness	Light grey	10	Beneath RH Front seat	TELEMATICS
C33-N	Main harness to telematics harness	Light grey	10	Beneath LH Front seat	CABIN LH
C33-N	Main harness to telematics harness	Light grey	10	Beneath LH Front seat	CABIN RH
C33-N	Telematics harness to main harness	Light grey	10	Beneath LH Front seat	TELEMATICS
C33-R	Main harness to rear seat harness	Light grey	12	Beneath rear seat - RH Side	CABIN LH
C33-R	Main harness to rear seat harness	Light grey	12	Beneath rear seat - RH Side	CABIN RH
C33-R	Rear seat harness to main harness	Light grey	12	Beneath rear seat - RH Side	REAR SEAT CUSHION
C33-R	Rear seat harness to main harness	Light grey	12	Beneath rear seat - RH Side	REAR SEAT CUSHION
C33-S	Rear seat cushion harness to rear seat back harness	Light grey	8	Beneath rear seat - RH Side	REAR SEAT SQUAB
C33-S	Rear seat back harness to rear seat cushion harness	Light grey	8	Beneath rear seat - RH Side	REAR SEAT SQUAB
C33-T	Rear seat cushion harness to rear seat back harness	Light grey	10	Beneath rear seat - RH Side	REAR SEAT CUSHION
C33-T	Rear seat back harness to rear seat cushion harness	Light grey	10	Beneath rear seat - RH Side	REAR SEAT SQUAB
C33-V	Rear seat back harness to rear seat cushion harness	Light grey	8	Beneath rear seat - LH Side	REAR SEAT SQUAB
C33-W	Telematics harness to rear console harness	Grey	8	Beneath rear seat	TELEMATICS
C33-W	Rear console harness to telematics harness	Grey	8	Beneath rear seat	CONSOLE REAR
C33-Z	ICE harness to seat link harness	Grey	8	Beneath LH Front seat	TELEMATICS
C33-Z	Seat link harness to ice harness	Grey	8	Beneath front seat	SEAT REAR SCREEN LINK
C37-A	Rear door harness to main harness	Black	16	B' post	REAR DOOR (LWB)
C37-A	Rear door harness to main harness	Black	16	B' post	REAR DOOR (SWB)
C37-A	Main harness to rear door harness	Black	16	LH 'B' post	CABIN LH
C37-A	Main harness to rear door harness	Black	16	LH 'B' post	CABIN RH
C37-B	Rear door harness to door trim harness	Black	10	Behind rear door trim panel	REAR DOOR (LWB)
C37-B	Rear door harness to door trim harness	Black	10	Behind rear door trim panel	REAR DOOR (SWB)
C37-B	Door trim harness to rear door harness	Black	10	Behind rear door trim panel	REAR DOOR TRIM
C37-B	Door trim harness to rear door harness	Black	10	Behind rear door trim panel	REAR DOOR TRIM
C37-C	Rear door harness to main harness	Light grey	6	B' post	REAR DOOR (LWB)
C37-C	Rear door harness to main harness	Light grey	6	B' post	REAR DOOR (SWB)
C37-C	Main harness to rear door harness	Light grey	6	LH 'B' post	CABIN LH
C37-C	Main harness to rear door harness	Light grey	6	LH 'B' post	CABIN RH
C37-D	Rear door harness to door trim harness	Light grey	2	Behind rear door trim panel	REAR DOOR (LWB)

Connector	Description	Color	Cav	Location	Harness
C37-D	Rear door harness to door trim harness	Light grey	2	Behind rear door trim panel	REAR DOOR (SWB)
C37-D	Door trim harness to rear door harness	Light grey	2	Behind rear door trim panel	REAR DOOR TRIM
C37-D	Door trim harness to rear door harness	Light grey	2	Behind rear door trim panel	REAR DOOR TRIM
C38-A	Main harness to rear door harness	Black	16	RH 'B' post	CABIN LH
C38-A	Main harness to rear door harness	Black	16	RH 'B' post	CABIN RH
C38-C	Main harness to rear door harness	Light grey	6	RH 'B' post	CABIN LH
C38-C	Main harness to rear door harness	Light grey	6	RH 'B' post	CABIN RH
C39-A	Telematics harness to parcel shelf harness	Light grey	8	Behind rear seat backrest - LH side	TELEMATICS
C39-A	Parcel shelf harness to telematics harness	Light grey	8	Behind rear seat backrest - LH side	REAR PARCEL SHELF
C3A-A	Driver door harness to main harness	Dark grey	22	Driver 'A' post	DRIVER DOOR
C3A-A	Main harness to driver door harness	Dark grey	22	Driver 'A' post	CABIN LH
C3A-A	Main harness to driver door harness	Dark grey	22	Driver 'A' post	CABIN RH
C3A-B	Driver door harness to main harness	Natural	14	Driver 'A' post	DRIVER DOOR
C3A-B	Driver door harness to main harness	Natural	14	Driver 'A' post	CABIN LH
C3A-B	Main harness to driver door harness	Natural	14	Driver 'A' post	CABIN RH
C3A-C	Driver door harness to door trim harness	Blue	16	Behind driver door trim panel	DRIVER DOOR
C3A-C	Door trim harness to driver door harness	Blue	16	Behind driver door trim panel	DRIVER DOOR TRIM
C3B-A	Passenger door harness to main harness	Dark grey	22	Passenger 'A' post	PASSENGER DOOR
C3B-A	Main harness to passenger door harness	Dark grey	22	Passenger 'A' post	CABIN LH
C3B-A	Main harness to passenger door harness	Dark grey	22	Passenger 'A' post	CABIN RH
C3B-B	Passenger door harness to main harness	Natural	14	Passenger 'A' post	PASSENGER DOOR
C3B-B	Passenger door harness to main harness	Natural	14	Passenger 'A' post	CABIN RH
C3B-B	Main harness to passenger door harness	Natural	14	Passenger 'A' post	CABIN LH
C3B-C	Passenger door harness to door trim harness	Blue	16	Behind passenger door trim panel	PASSENGER DOOR
C3B-C	Door trim harness to passenger door harness	Blue	16	Behind passenger door trim panel	PASSENGER DOOR TRIM
C3BP01A	Junction box-Central	Grey	28	Behind rear seat backrest - LH side	CABIN LH
C3BP01A	Junction box-Central	Grey	28	Behind rear seat backrest - LH side	CABIN RH
C3BP01B	Junction box-Central	Grey	32	Behind rear seat backrest - LH side	CABIN LH
C3BP01B	Junction box-Central	Grey	32	Behind rear seat backrest - LH side	CABIN RH
C3BP01C	Junction box-Central	Blue	46	Behind rear seat backrest - LH side	CABIN LH
C3BP01C	Junction box-Central	Blue	46	Behind rear seat backrest - LH side	CABIN RH
C3BP01D	Junction box-Central	Green	41	Behind rear seat backrest - LH side	CABIN LH
C3BP01D	Junction box-Central	Green	41	Behind rear seat backrest - LH side	CABIN RH
C3BP01E	Junction box-Central	Green	32	Behind rear seat backrest - LH side	CABIN LH
C3BP01E	Junction box-Central	Green	32	Behind rear seat backrest - LH side	CABIN RH
C3BP01F	Junction box-Central	Brown	46	Behind rear seat backrest - LH side	CABIN LH
C3BP01F	Junction box-Central	Brown	46	Behind rear seat backrest - LH side	CABIN RH
C3BP01G	Junction box-Central	Brown	32	Behind rear seat backrest - LH side	CABIN LH
C3BP01G	Junction box-Central	Brown	32	Behind rear seat backrest - LH side	CABIN RH
C3BP01H	Junction box-Central	Grey	32	Behind rear seat backrest - LH side	CABIN LH

Connector	Description	Color	Cav	Location	Harness
C3BP01H	Junction box-Central	Blue	20	Behind rear seat backrest - LH side	CABIN RH
C3CA09	Sensor-Yaw Rate	Black	4	In rear of center console	CABIN LH
C3CA09	Sensor-Yaw Rate	Black	4	In rear of center console	CABIN RH
C3DC07	Cigar lighter-Front	Natural	3	Beneath center console RH side	CENTRE CONSOLE
C3DC08	Socket-Accessory-Front	Orange	2	Beneath center console LH side	CENTRE CONSOLE
C3DC09	Cigar lighter-Rear	Natural	3	In rear of center console	CABIN LH
C3DC09	Cigar lighter-Rear	Natural	3	In rear of center console	CABIN RH
C3DC11A	Stud-cable junction		1	Beneath RH Front seat	CABIN LH
C3DC11A	Stud-cable junction		1	Beneath RH Front seat	CABIN RH
C3DC11B	Stud-cable junction		1	Beneath RH Front seat	ENGINE COMPARTMENT RH
C3DC11B	Stud-cable junction		1	Beneath RH Front seat	ENGINE COMPARTMENT LH
C3DC15	Socket-Accessory-Rear	Natural	3	In rear of center console	CABIN LH
C3DC15	Socket-Accessory-Rear	Natural	3	In rear of center console	CABIN RH
C3ET37	Module-Transmission shift	Dark grey	22	Beneath center console LH side	CENTRE CONSOLE
C3ET37B	Illumination-Selector-Automatic gearbox	Black	2	Beneath center console LH side	CENTRE CONSOLE
C3H444A	Panel-Climate control-Rear	Black	10	In rear of center console	CABIN LH
C3H444A	Panel-Climate control-Rear	Black	10	In rear of center console	CABIN RH
C3HS01	Heater-Seat backrest-Driver	Black	2	Behind driver seat backrest	SEAT LH
C3HS01	Heater-Seat backrest-Driver	Black	2	Behind driver seat backrest	SEAT RH
C3HS01	Heater-Seat backrest-Driver	Black	2	Behind driver seat backrest	SEAT LH
C3HS01	Heater-Seat backrest-Driver	Black	2	Behind driver seat backrest	SEAT RH
C3HS01B	Assembly-Climate-Seat backrest-Driver	Light grey	8	Behind driver seat backrest	SEAT LH
C3HS01B	Assembly-Climate-Seat backrest-Driver	Light grey	8	Behind driver seat backrest	SEAT RH
C3HS01B	Assembly-Climate-Seat backrest-Driver	Light grey	8	Behind driver seat backrest	SEAT LH
C3HS01B	Assembly-Climate-Seat backrest-Driver	Light grey	8	Behind driver seat backrest	SEAT RH
C3HS02	Heater-Seat cushion-Driver	Black	4	Beneath driver seat	SEAT LH
C3HS02	Heater-Seat cushion-Driver	Black	4	Beneath driver seat	SEAT RH
C3HS02B	Assembly-Climate-Seat cushion-Driver	Light grey	8	Beneath driver seat	SEAT LH
C3HS02B	Assembly-Climate-Seat cushion-Driver	Light grey	8	Beneath driver seat	SEAT RH
C3HS02B	Assembly-Climate-Seat cushion-Driver	Light grey	8	Beneath driver seat	SEAT LH
C3HS02B	Assembly-Climate-Seat cushion-Driver	Light grey	8	Beneath driver seat	SEAT RH
C3HS03A	Module-Climate-controlled seat	Black	12	Beneath LH Front seat	CABIN LH
C3HS03A	Module-Climate-controlled seat	Black	12	Beneath LH Front seat	CABIN RH
C3HS03B	Module-Climate-controlled seat	Black	10	Beneath LH Front seat	CABIN LH
C3HS03B	Module-Climate-controlled seat	Black	10	Beneath LH Front seat	CABIN RH
C3HS03C	Module-Climate-controlled seat	Black	16	Beneath LH Front seat	CABIN LH
C3HS03C	Module-Climate-controlled seat	Black	16	Beneath LH Front seat	CABIN RH
C3HS04A	Module-Heated seat-Driver	Light grey	4	Beneath LH Front seat	CABIN LH
C3HS04A	Module-Heated seat-Driver	Light grey	4	Beneath LH Front seat	CABIN RH
C3HS04B	Module-Heated seat-Driver	Green	4	Beneath LH Front seat	CABIN LH

Connector	Description	Color	Cav	Location	Harness
C3HS04B	Module-Heated seat-Driver	Green	4	Beneath LH Front seat	CABIN RH
C3HS04C	Module-Heated seat-Driver	Light grey	2	Beneath LH Front seat	CABIN LH
C3HS04C	Module-Heated seat-Driver	Light grey	2	Beneath LH Front seat	CABIN RH
C3HS06	Heater-Seat backrest-Passenger	Black	2	Behind passenger seat backrest	SEAT RH
C3HS06	Heater-Seat backrest-Passenger	Black	2	Behind passenger seat backrest	SEAT LH
C3HS06	Heater-Seat backrest-Passenger	Black	2	Behind passenger seat backrest	SEAT RH
C3HS06	Heater-Seat backrest-Passenger	Black	2	Behind passenger seat backrest	SEAT LH
C3HS06B	Assembly-Climate-Seat backrest-Passenger	Light grey	8	Behind passenger seat backrest	SEAT RH
C3HS06B	Assembly-Climate-Seat backrest-Passenger	Light grey	8	Behind passenger seat backrest	SEAT LH
C3HS06B	Assembly-Climate-Seat backrest-Passenger	Light grey	8	Behind passenger seat backrest	SEAT RH
C3HS06B	Assembly-Climate-Seat backrest-Passenger	Light grey	8	Behind passenger seat backrest	SEAT LH
C3HS07	Heater-Seat cushion-Passenger	Black	4	Beneath front passenger seat	SEAT RH
C3HS07	Heater-Seat cushion-Passenger	Black	4	Beneath front passenger seat	SEAT LH
C3HS07B	Assembly-Climate-Seat cushion-Passenger	Light grey	8	Beneath front passenger seat	SEAT RH
C3HS07B	Assembly-Climate-Seat cushion-Passenger	Light grey	8	Beneath front passenger seat	SEAT RH
C3HS07B	Assembly-Climate-Seat cushion-Passenger	Light grey	8	Beneath front passenger seat	SEAT LH
C3HS07B	Assembly-Climate-Seat cushion-Passenger	Light grey	8	Beneath front passenger seat	SEAT LH
C3HS09A	Module-Heated seat-Passenger	Green	4	Beneath LH Front seat	CABIN LH
C3HS09A	Module-Heated seat-Passenger	Light grey	4	Beneath LH Front seat	CABIN RH
C3HS09B	Module-Heated seat-Passenger	Light grey	4	Beneath LH Front seat	CABIN LH
C3HS09B	Module-Heated seat-Passenger	Green	4	Beneath LH Front seat	CABIN RH
C3HS09C	Module-Heated seat-Passenger	Light grey	2	Beneath LH Front seat	CABIN LH
C3HS09C	Module-Heated seat-Passenger	Light grey	2	Beneath LH Front seat	CABIN RH
C3HS41A	Module-Climate seats-Rear	Black	12	Behind rear seat backrest - RH side	REAR SEAT SQUAB
C3HS41B	Module-Climate seats-Rear	Black	10	Behind rear seat backrest - RH side	REAR SEAT SQUAB
C3HS41C	Module-Climate seats-Rear	Black	16	Behind rear seat backrest - RH side	REAR SEAT SQUAB
C3HS43B	Assembly-Climate-Seat cushion-Rear-RH	Black	8	Beneath rear seat - RH Side	REAR SEAT CUSHION
C3HS54A	RH rear seat heater module	Light grey	4	Behind rear seat backrest - RH side	REAR SEAT SQUAB
C3HS54B	RH rear seat heater module	Green	4	Behind rear seat backrest - RH side	REAR SEAT SQUAB
C3HS54C	RH rear seat heater module	Light grey	2	Behind rear seat backrest - RH side	REAR SEAT SQUAB
C3HS58A	LH rear seat heater module	Light grey	4	Behind rear seat backrest - RH side	REAR SEAT SQUAB
C3HS58B	LH rear seat heater module	Green	4	Behind rear seat backrest - RH side	REAR SEAT SQUAB
C3HS58C	LH rear seat heater module	Light grey	2	Behind rear seat backrest - RH side	REAR SEAT SQUAB
C3HS74B	Assembly-Climate-Seat backrest-Rear-RH	Black	8	Behind rear seat backrest - RH side	REAR SEAT SQUAB
C3HS75B	Assembly-Climate-Seat backrest-Rear-LH	Black	8	Behind rear seat backrest - LH side	REAR SEAT SQUAB
C3HS77	LH rear seat backrest heater	Black	2	Behind rear seat backrest - LH side	REAR SEAT SQUAB
C3HS78	Heater-Cushion-Rear-RH	Black	4	Beneath rear seat - RH Side	REAR SEAT CUSHION
C3HS79	RH rear seat backrest heater	Black	2	Behind rear seat backrest - RH side	REAR SEAT SQUAB
C3LN47A	Lamp-Footwell-Rear-RH	Black	2	Behind passenger seat backrest	SEAT RH
C3LN47A	Lamp-Footwell-Rear-RH	Black	2	Behind passenger seat backrest	SEAT LH

Connector	Description	Color	Cav	Location	Harness
C3LN47B	Lamp-Footwell-Rear-LH	Black	2	Behind driver seat backrest	SEAT LH
C3LN47B	Lamp-Footwell-Rear-LH	Black	2	Behind driver seat backrest	SEAT RH
C3LN71	Ashtray-Illumination	Black	2	Beneath center console RH side	CENTRE CONSOLE
C3LN85	Illumination-Vent-Rear-LH	Black	2	In rear of center console	CABIN LH
C3LN85	Illumination-Vent-Rear-LH	Black	2	In rear of center console	CABIN RH
C3LN86	Illumination-Vent-Rear-RH	Black	2	In rear of center console	CABIN LH
C3LN86	Illumination-Vent-Rear-RH	Black	2	In rear of center console	CABIN RH
C3MC45	Receiver-Tire-pressure monitoring	Black	2	In rear of center console	CABIN LH
C3MC45	Receiver-Tire-pressure monitoring	Violet	3	Front of headlining in the center	CABIN RH
C3ME147A	Receiver-Remote control-Rear entertainment	Violet	3	Front of headlining in the center	CONSOLE REAR
C3ME42A	Docking station Remote control-Rear entertainment	Green	4	Arm rest	CONSOLE REAR
C3MP01A	Console-Portable audio interface-Rear	Black	1	Arm rest	CABIN LH
C3MP01A	Module-Parking aid	Black	16	Base of LH 'A' post	CABIN RH
C3MP01A	Module-Parking aid	Black	16	Base of LH 'A' post	CABIN RH
C3MP01B	Module-Parking aid	Black	12	Base of LH 'A' post	ENGINE COMPARTMENT LH
C3MP01B	Module-Parking aid	Black	12	Base of LH 'A' post	ENGINE COMPARTMENT RH
C3MP01C	Module-Parking aid	Black	12	Base of LH 'A' post	CABIN LH
C3MP01C	Module-Parking aid	Black	12	Base of LH 'A' post	CABIN RH
C3MR01A	Screen-Rear seat-entertainment-LH	Black	1	In front seat head restraint	REAR VIDEO DISPLAY LINK
C3MR01B	Screen-Rear seat-entertainment-LH	Black	1	In front seat head restraint	REAR VIDEO DISPLAY LINK
C3MR02A	Module-Rear seat-entertainment	Black	14	Behind rear seat backrest - LH side	TELEMATICS
C3MR02B	Module-Rear seat-entertainment	Grey	24	Behind rear seat backrest - LH side	TELEMATICS
C3MR02C	Module-Rear seat-entertainment	Black	2	Behind rear seat backrest - LH side	TELEMATICS
C3MR02D	Module-Rear seat-entertainment	Black	2	Behind rear seat backrest - LH side	TELEMATICS
C3MR02E	Module-Rear seat-entertainment	Black	1	Behind rear seat backrest - LH side	TELEMATICS
C3MR02G	Module-Rear seat-entertainment	Black	1	Behind rear seat backrest - LH side	TELEMATICS
C3MR02H	Module-Rear seat-entertainment	Black	1	Behind rear seat backrest - LH side	TELEMATICS
C3MR02J	Module-Rear seat-entertainment	Black	1	Behind rear seat backrest - LH side	TELEMATICS
C3MR02M	Module-Rear seat-entertainment	Black	1	Behind rear seat backrest - LH side	TELEMATICS
C3PK05	Antenna-LF-Cabin-Front	Black	1	Behind rear seat backrest - LH side	TELEMATICS
C3PK06	Center console antenna-Rear	Black	2	Beneath center console LH side	CENTRE CONSOLE
C3PK28A	Keyless vehicle module	Grey	2	Beneath center console	CENTRE CONSOLE
C3PK28A	Keyless vehicle module	Grey	40	RH 'A' post	CABIN RH
C3PK28B	Keyless vehicle module	Grey	40	Base of RH 'A' post	CABIN LH
C3PK28B	Keyless vehicle module	Grey	20	RH 'A' post	CABIN RH
C3PK28C	Keyless vehicle module	Grey	20	Base of RH 'A' post	CABIN LH
C3PK28C	Keyless vehicle module	Light grey	12	RH 'A' post	CABIN RH
C3PK28C	Keyless vehicle module	Light grey	12	Base of RH 'A' post	CABIN LH
C3PK37	Center console antenna-Front	Black	2	Beneath center console RH side	CENTRE CONSOLE
C3PS02A	Driver seat module	Light grey	26	Beneath driver seat	SEAT LH
C3PS02A	Driver seat module	Light grey	26	Beneath driver seat	SEAT RH
C3PS02A	Driver seat module	Light grey	26	Beneath driver seat	SEAT LH

Connector	Description	Color	Cav	Location	Harness
C3PS02A	Driver seat module	Light grey	26	Beneath driver seat	SEAT RH
C3PS02B	Driver seat module	Light grey	16	Beneath driver seat	SEAT LH
C3PS02B	Driver seat module	Light grey	16	Beneath driver seat	SEAT RH
C3PS02B	Driver seat module	Light grey	16	Beneath driver seat	SEAT LH
C3PS02C	Driver seat module	Light grey	16	Beneath driver seat	SEAT RH
C3PS02C	Driver seat module	Light grey	12	Beneath driver seat	SEAT LH
C3PS02C	Driver seat module	Light grey	12	Beneath driver seat	SEAT RH
C3PS02C	Driver seat module	Light grey	12	Beneath driver seat	SEAT LH
C3PS02C	Driver seat module	Light grey	12	Beneath driver seat	SEAT RH
C3PS02D	Driver seat module	Black	14	Beneath driver seat	SEAT LH
C3PS02D	Driver seat module	Black	14	Beneath driver seat	SEAT RH
C3PS02D	Driver seat module	Black	14	Beneath driver seat	SEAT LH
C3PS02D	Driver seat module	Black	14	Beneath driver seat	SEAT RH
C3PS02E	Driver seat module	Light grey	12	Beneath driver seat	SEAT RH
C3PS02E	Driver seat module	Light grey	12	Beneath driver seat	SEAT RH
C3PS02E	Driver seat module	Light grey	12	Beneath driver seat	SEAT LH
C3PS02E	Driver seat module	Light grey	12	Beneath driver seat	SEAT LH
C3PS02F	Driver seat module	Green	18	Beneath driver seat	SEAT RH
C3PS02F	Driver seat module	Green	18	Beneath driver seat	SEAT RH
C3PS02F	Driver seat module	Green	18	Beneath driver seat	SEAT LH
C3PS02F	Driver seat module	Green	18	Beneath driver seat	SEAT LH
C3PS12A	Pump-Lumbar-Driver	Black	3	Behind driver seat backrest	SEAT LH
C3PS12A	Pump-Lumbar-Driver	Black	3	Behind driver seat backrest	SEAT RH
C3PS12B	Pump-Lumbar-Driver	Black	3	Behind driver seat backrest	SEAT LH
C3PS12B	Pump-Lumbar-Driver	Black	3	Behind driver seat backrest	SEAT LH
C3PS12B	Pump-Lumbar-Driver	Black	3	Behind driver seat backrest	SEAT RH
C3PS12C	Pump-Lumbar-Driver	Black	3	Behind driver seat backrest	SEAT RH
C3PS12C	Pump-Lumbar-Driver	Black	3	Beneath driver seat	SEAT LH
C3PS12C	Pump-Lumbar-Driver	Black	3	Beneath driver seat	SEAT RH
C3PS13A	Pump-Lumbar-Passenger	Black	3	Behind passenger seat backrest	SEAT RH
C3PS13A	Pump-Lumbar-Passenger	Black	3	Behind passenger seat backrest	SEAT LH
C3PS13B	Pump-Lumbar-Passenger	Black	3	Behind passenger seat backrest	SEAT RH
C3PS13B	Pump-Lumbar-Passenger	Black	3	Behind passenger seat backrest	SEAT LH
C3PS13B	Pump-Lumbar-Passenger	Black	3	Behind passenger seat backrest	SEAT RH
C3PS13C	Pump-Lumbar-Passenger	Black	3	Behind passenger seat backrest	SEAT LH
C3PS13C	Pump-Lumbar-Passenger	Black	3	Behind passenger seat backrest	SEAT RH
C3PS13C	Pump-Lumbar-Passenger	Black	3	Beneath front passenger seat	SEAT LH
C3PS13C	Pump-Lumbar-Passenger	Black	3	Beneath front passenger seat	SEAT RH
C3PS151A	Ground-Rear seat frame	Black	3	Beneath front passenger seat	SEAT LH
C3PS19A	Solenoids-Lumbar-Driver	Black	6	Behind rear seat backrest	SEAT LH
C3PS19A	Solenoids-Lumbar-Driver	Black	6	Behind driver seat backrest	SEAT RH
C3PS19A	Solenoids-Lumbar-Driver	Black	6	Behind driver seat backrest	SEAT LH

Connector	Description	Color	Cav	Location	Harness
C3PS21	Solenoids-Lumbar-Passenger	Black	6	Behind passenger seat backrest	SEAT RH
C3PS21	Solenoids-Lumbar-Passenger	Black	6	Behind passenger seat backrest	SEAT LH
C3PS21A	Lumbar pump-solenoid-Passenger	Black	6	Behind passenger seat backrest	SEAT RH
C3PS21A	Lumbar pump-solenoid-Passenger	Black	6	Behind passenger seat backrest	SEAT LH
C3PS22A	Switch pack-Seat-Driver	Black	20	Beneath driver seat	SEAT LH
C3PS22A	Switch pack-Seat-Driver	Black	20	Beneath driver seat	SEAT LH
C3PS22A	Switch pack-Seat-Driver	Black	20	Beneath driver seat	SEAT RH
C3PS22A	Switch pack-Seat-Driver	Black	20	Beneath driver seat	SEAT RH
C3PS22A	Switch pack-Seat-Driver	Black	20	Beneath driver seat	SEAT LH
C3PS23A	Motor-Seat-Forward rearward-Driver	Black	4	Beneath driver seat	SEAT LH
C3PS23A	Motor-Seat-Forward rearward-Driver	Black	4	Beneath driver seat	SEAT LH
C3PS23A	Motor-Seat-Forward rearward-Driver	Black	4	Beneath driver seat	SEAT RH
C3PS23A	Motor-Seat-Forward rearward-Driver	Black	4	Beneath driver seat	SEAT RH
C3PS25A	Motor-Seat-Tilt-Driver	Black	4	Beneath driver seat	SEAT LH
C3PS25A	Motor-Seat-Tilt-Driver	Black	4	Beneath driver seat	SEAT LH
C3PS25A	Motor-Seat-Tilt-Driver	Black	4	Beneath driver seat	SEAT RH
C3PS25A	Motor-Seat-Tilt-Driver	Black	4	Beneath driver seat	SEAT RH
C3PS27A	Drivers seat height motor	Black	4	Beneath driver seat	SEAT LH
C3PS27A	Drivers seat height motor	Black	4	Beneath driver seat	SEAT LH
C3PS27A	Drivers seat height motor	Black	4	Beneath driver seat	SEAT RH
C3PS27A	Drivers seat height motor	Black	4	Beneath driver seat	SEAT RH
C3PS27A	Drivers seat height motor	Black	4	Beneath driver seat	SEAT LH
C3PS30A	Motor-Seat-Backrest recline	Black	5	Behind driver seat backrest	SEAT LH
C3PS30A	Motor-Seat-Backrest recline	Black	5	Behind driver seat backrest	SEAT RH
C3PS30A	Motor-Seat-Backrest recline	Black	5	Behind driver seat backrest	SEAT LH
C3PS30A	Motor-Seat-Backrest recline	Black	5	Behind driver seat backrest	SEAT RH
C3PS32A	Switch pack-Seat-Passenger	Black	20	Beneath front passenger seat	SEAT RH
C3PS32A	Switch pack-Seat-Passenger	Light grey	12	Beneath front passenger seat	SEAT RH
C3PS32A	Switch pack-Seat-Passenger	Black	20	Beneath front passenger seat	SEAT LH
C3PS32A	Switch pack-Seat-Passenger	Black	20	Beneath front passenger seat	SEAT LH
C3PS32B	Switch pack-Seat-Passenger	Black	20	Beneath front passenger seat	SEAT RH
C3PS32B	Switch pack-Seat-Passenger	Black	20	Beneath front passenger seat	SEAT RH
C3PS32B	Switch pack-Seat-Passenger	Black	20	Beneath front passenger seat	SEAT LH
C3PS32B	Switch pack-Seat-Passenger	Black	20	Beneath front passenger seat	SEAT LH
C3PS33A	Motor-Seat-Forward rearward-Passenger	Black	4	Beneath front passenger seat	SEAT RH
C3PS33A	Motor-Seat-Forward rearward-Passenger	Black	4	Beneath front passenger seat	SEAT RH
C3PS33A	Motor-Seat-Forward rearward-Passenger	Black	4	Beneath front passenger seat	SEAT LH
C3PS33A	Motor-Seat-Forward rearward-Passenger	Black	4	Beneath front passenger seat	SEAT LH
C3PS33B	Motor-Seat-Forward rearward-Passenger	Black	4	Beneath front passenger seat	SEAT RH
C3PS33B	Motor-Seat-Forward rearward-Passenger	Black	4	Beneath front passenger seat	SEAT RH
C3PS33B	Motor-Seat-Forward rearward-Passenger	Black	4	Beneath front passenger seat	SEAT LH
C3PS33B	Motor-Seat-Forward rearward-Passenger	Black	4	Beneath front passenger seat	SEAT LH

Connector	Description	Color	Cav	Location	Harness
C3PS35A	Motor-Seat-Tilt-Passenger	Black	4	Beneath front passenger seat	SEAT RH
C3PS35A	Motor-Seat-Tilt-Passenger	Black	4	Beneath front passenger seat	SEAT RH
C3PS35A	Motor-Seat-Tilt-Passenger	Black	4	Beneath front passenger seat	SEAT LH
C3PS35A	Motor-Seat-Tilt-Passenger	Black	4	Beneath front passenger seat	SEAT LH
C3PS35B	Motor-Seat-Tilt-Passenger	Black	4	Beneath front passenger seat	SEAT RH
C3PS35B	Motor-Seat-Tilt-Passenger	Black	4	Beneath front passenger seat	SEAT RH
C3PS35B	Motor-Seat-Tilt-Passenger	Black	4	Beneath front passenger seat	SEAT LH
C3PS35B	Motor-Seat-Tilt-Passenger	Black	4	Beneath front passenger seat	SEAT LH
C3PS37A	Passenger seat height motor	Black	4	Beneath front passenger seat	SEAT RH
C3PS37A	Passenger seat height motor	Black	4	Beneath front passenger seat	SEAT RH
C3PS37A	Passenger seat height motor	Black	4	Beneath front passenger seat	SEAT LH
C3PS37A	Passenger seat height motor	Black	4	Beneath front passenger seat	SEAT LH
C3PS37B	Passenger seat height motor	Black	4	Beneath front passenger seat	SEAT RH
C3PS37B	Passenger seat height motor	Black	4	Beneath front passenger seat	SEAT RH
C3PS37B	Passenger seat height motor	Black	4	Beneath front passenger seat	SEAT LH
C3PS37B	Passenger seat height motor	Black	4	Beneath front passenger seat	SEAT LH
C3PS40A	Motor-Seat-Recline-Passenger	Black	5	Beneath front passenger seat	SEAT RH
C3PS40A	Motor-Seat-Recline-Passenger	Black	5	Behind passenger seat backrest	SEAT LH
C3PS40A	Motor-Seat-Recline-Passenger	Black	5	Behind passenger seat backrest	SEAT RH
C3PS40A	Motor-Seat-Recline-Passenger	Black	5	Behind passenger seat backrest	SEAT LH
C3PS40B	Motor-Seat-Recline-Passenger	Black	5	Behind passenger seat backrest	SEAT RH
C3PS40B	Motor-Seat-Recline-Passenger	Black	5	Behind passenger seat backrest	SEAT LH
C3PS40B	Motor-Seat-Recline-Passenger	Black	5	Behind passenger seat backrest	SEAT RH
C3PS40B	Motor-Seat-Recline-Passenger	Black	5	Behind passenger seat backrest	SEAT LH
C3PS46A	Motor-Seat-Cushion extension-Driver	Black	4	Behind passenger seat backrest	SEAT LH
C3PS46A	Motor-Seat-Cushion extension-Driver	Black	4	Beneath driver seat	SEAT LH
C3PS46A	Motor-Seat-Cushion extension-Driver	Black	4	Beneath driver seat	SEAT LH
C3PS46A	Motor-Seat-Cushion extension-Driver	Black	4	Beneath driver seat	SEAT RH
C3PS59A	Motor-Head restraint-Driver	Black	4	Beneath driver seat	SEAT RH
C3PS59A	Motor-Head restraint-Driver	Black	4	Behind driver seat backrest	SEAT LH
C3PS59A	Motor-Head restraint-Driver	Black	4	Behind driver seat backrest	SEAT RH
C3PS59A	Motor-Head restraint-Driver	Black	4	Behind driver seat backrest	SEAT RH
C3PS67A	Motor-Seat-Cushion extension-Passenger	Black	4	Beneath front passenger seat	SEAT RH
C3PS67A	Motor-Seat-Cushion extension-Passenger	Black	4	Beneath front passenger seat	SEAT RH
C3PS67A	Motor-Seat-Cushion extension-Passenger	Black	4	Beneath front passenger seat	SEAT LH
C3PS67A	Motor-Seat-Cushion extension-Passenger	Black	4	Beneath front passenger seat	SEAT LH
C3PS69A	Motor-Head restraint-Passenger	Black	4	Beneath front passenger seat	SEAT RH
C3PS69A	Motor-Head restraint-Passenger	Black	4	Behind passenger seat backrest	SEAT RH
C3PS69B	Motor-Head restraint-Passenger	Black	4	Behind passenger seat backrest	SEAT LH
C3PS69B	Motor-Head restraint-Passenger	Black	4	Behind passenger seat backrest	SEAT RH
C3PS69B	Motor-Head restraint-Passenger	Black	4	Behind passenger seat backrest	SEAT LH
C3PS69B	Motor-Head restraint-Passenger	Black	4	Behind passenger seat backrest	SEAT RH

Connector	Description	Color	Cav	Location	Harness
C3PS69B	Motor-Head restraint-Passenger	Black	4	Behind passenger seat backrest	SEAT LH
C3PS71A	Passenger seat module	Light grey	26	Beneath front passenger seat	SEAT LH
C3PS71A	Passenger seat module	Light grey	26	Beneath front passenger seat	SEAT RH
C3PS71A	Passenger seat module	Light grey	26	Beneath front passenger seat	SEAT LH
C3PS71A	Passenger seat module	Light grey	26	Beneath front passenger seat	SEAT RH
C3PS71B	Passenger seat module	Light grey	16	Beneath front passenger seat	SEAT LH
C3PS71B	Passenger seat module	Light grey	16	Beneath front passenger seat	SEAT RH
C3PS71B	Passenger seat module	Light grey	16	Beneath front passenger seat	SEAT LH
C3PS71B	Passenger seat module	Light grey	16	Beneath front passenger seat	SEAT RH
C3PS71C	Passenger seat module	Light grey	12	Beneath front passenger seat	SEAT LH
C3PS71C	Passenger seat module	Light grey	12	Beneath front passenger seat	SEAT RH
C3PS71C	Passenger seat module	Light grey	12	Beneath front passenger seat	SEAT LH
C3PS71C	Passenger seat module	Light grey	12	Beneath front passenger seat	SEAT RH
C3PS71D	Passenger seat module	Black	14	Beneath front passenger seat	SEAT LH
C3PS71D	Passenger seat module	Black	14	Beneath front passenger seat	SEAT RH
C3PS71D	Passenger seat module	Black	14	Beneath front passenger seat	SEAT LH
C3PS71D	Passenger seat module	Black	14	Beneath front passenger seat	SEAT RH
C3PS91	Solenoid-Seat bolster-Driver	Black	6	Behind driver seat backrest	SEAT LH
C3PS91	Solenoid-Seat bolster-Driver	Black	6	Behind driver seat backrest	SEAT RH
C3PS93	Solenoid-Seat bolster-Passenger	Black	6	Behind passenger seat backrest	SEAT RH
C3PS93	Solenoid-Seat bolster-Passenger	Black	6	Behind passenger seat backrest	SEAT LH
C3R105	Air bag-Side-Driver	Black	1	Side of driver seat backrest	SEAT LH
C3R105	Air bag-Side-Driver	Black	1	Side of driver seat backrest	SEAT RH
C3R105	Air bag-Side-Driver	Black	1	Side of driver seat backrest	SEAT LH
C3R105	Air bag-Side-Driver	Black	1	Side of driver seat backrest	SEAT RH
C3R106	Air bag-Side-Passenger	Black	1	Side of passenger seat backrest	SEAT RH
C3R106	Air bag-Side-Passenger	Black	1	Side of passenger seat backrest	SEAT LH
C3R106	Air bag-Side-Passenger	Black	1	Side of passenger seat backrest	SEAT RH
C3R106	Air bag-Side-Passenger	Black	1	Side of passenger seat backrest	SEAT LH
C3R114A	Restraints Control Module (RCM)	Green	24	In rear of center console	CABIN LH
C3R114A	Restraints Control Module (RCM)	Black	24	In rear of center console	CABIN RH
C3R114B	Restraints Control Module (RCM)	Black	40	In rear of center console	CABIN LH
C3R114B	Restraints Control Module (RCM)	Black	38	In rear of center console	CABIN RH
C3R116	Sensor-Seat-occupant classification	Light grey	2	Beneath front passenger seat	SEAT RH
C3R116	Sensor-Seat-occupant classification	Light grey	2	Beneath front passenger seat	SEAT RH
C3R116	Sensor-Seat-occupant classification	Light grey	2	Beneath front passenger seat	SEAT LH
C3R116	Sensor-Seat-occupant classification	Light grey	2	Beneath front passenger seat	SEAT LH
C3R118	Module-Seat-occupancy	Black	18	Beneath front passenger seat	SEAT RH
C3R118	Module-Seat-occupancy	Black	10	Beneath front passenger seat	SEAT RH
C3R118	Module-Seat-occupancy	Black	18	Beneath front passenger seat	SEAT LH

Connector	Description	Color	Cav	Location	Harness
C3R118	Module-Seat-occupancy	Black	10	Beneath front passenger seat	SEAT LH
C3R120	Pre-tensioner and buckle switch-Driver	Black	4	Beneath driver seat	SEAT LH
C3R120	Pre-tensioner and buckle switch-Driver	Black	4	Beneath driver seat	SEAT LH
C3R120	Pre-tensioner and buckle switch-Driver	Black	4	Beneath driver seat	SEAT RH
C3R120	Pre-tensioner and buckle switch-Driver	Black	4	Beneath RH Front seat	SEAT RH
C3R122	Pre-tensioner and buckle switch-Passenger	Grey	4	Beneath front passenger seat	SEAT RH
C3R122	Pre-tensioner and buckle switch-Passenger	Black	4	Beneath front passenger seat	SEAT RH
C3R122	Pre-tensioner and buckle switch-Passenger	Black	4	Beneath front passenger seat	SEAT LH
C3R122	Pre-tensioner and buckle switch-Passenger	Grey	4	Beneath LH Front seat	SEAT LH
C3R123	Switch-Safety belt-Rear LH	Light grey	2	Beneath rear seat	CABIN LH
C3R123	Switch-Safety belt-Rear LH	Light grey	2	Beneath rear seat	CABIN RH
C3R124	Switch-Safety belt-Rear center	Green	2	Beneath rear seat	CABIN LH
C3R124	Switch-Safety belt-Rear center	Green	2	Beneath rear seat	CABIN RH
C3R125	Switch-Safety belt-Rear RH	Light grey	2	Beneath rear seat	CABIN LH
C3R125	Switch-Safety belt-Rear RH	Light grey	2	Beneath rear seat	CABIN RH
C3R146	Tensioner-Safety belt-LH	Black	6	Base of 'B' post LH side	CABIN LH
C3R146	Tensioner-Safety belt-LH	Black	6	Base of 'B' post LH side	CABIN RH
C3R147	Tensioner-Safety belt-RH	Black	6	Base of 'B' post RH side	CABIN LH
C3R147	Tensioner-Safety belt-RH	Black	6	Base of 'B' post RH side	CABIN RH
C3R210	Tensioner-Safety belt-RH	Black	6	Base of 'B' post RH side	CABIN RH
C3R210	Sensor-Safety belt tension	Grey	4	RH side of passenger seat	SEAT LH
C3R210	Sensor-Safety belt tension	Grey	4	LH side of passenger seat	SEAT RH
C3R210	Sensor-Safety belt tension	Grey	4	Beneath front passenger seat	SEAT RH
C3R210	Sensor-Safety belt tension	Grey	4	Beneath front passenger seat	SEAT LH
C3R215	Sensor-Driver-seat track	Grey	4	Beneath front passenger seat	SEAT LH
C3R215	Sensor-Driver-seat track	Light grey	2	Beneath driver seat	SEAT LH
C3R215	Sensor-Driver-seat track	Light grey	2	Beneath driver seat	SEAT LH
C3R215	Sensor-Driver-seat track	Light grey	2	Beneath driver seat	SEAT RH
C3R215	Sensor-Driver-seat track	Light grey	2	Beneath driver seat	SEAT RH
C3R217A	Sensor-Side impact-Front door-LH	Black	2	Behind LH front door trim panel	PASSENGER DOOR
C3R217A	Sensor-Side impact-Front door	Black	2	Behind driver door trim panel	DRIVER DOOR
C3R217B	Sensor-Side impact-LH side-Rear	Black	2	LH 'C' post	CABIN LH
C3R217B	Sensor-Side impact-LH side-Rear	Black	2	LH 'C' post	CABIN RH
C3R218A	Sensor-Side impact-RH side-Rear	Black	2	RH 'C' post	CABIN LH
C3R218A	Sensor-Side impact-RH side-Rear	Black	2	RH 'C' post	CABIN RH
C3R218B	Sensor-Side impact-Front door-RH	Black	2	Behind passenger door trim panel	PASSENGER DOOR
C3R218B	Sensor-Side impact-Front door-RH	Black	2	Behind RH front door trim panel	DRIVER DOOR
C3R223	Sensor-Pressure-mat	Grey	3	Beneath front passenger seat	SEAT RH
C3R223	Sensor-Pressure-mat	Grey	3	Beneath front passenger seat	SEAT RH
C3R223	Sensor-Pressure-mat	Grey	3	Beneath front passenger seat	SEAT LH
C3R223	Sensor-Pressure-mat	Grey	3	Beneath front passenger seat	SEAT LH
C44-A	Main harness to rear bumper harness	Dark grey	22	Adjacent to spare wheel - LH side	CABIN LH

Connector	Description	Color	Cav	Location	Harness
C44-A	Main harness to rear bumper harness	Black	16	Adjacent to spare wheel - LH side	CABIN RH
C44-A	Rear bumper harness to main harness	Dark grey	22	Adjacent to spare wheel - LH side	REAR BUMPER
C44-B	Main harness to luggage compartment link harness	Dark grey	12	Beneath vehicle - RH side	CABIN LH
C44-B	Main harness to luggage compartment link harness	Dark grey	1	Beneath vehicle - RH side	CABIN RH
C44-B	Luggage compartment lid link harness to main harness	Dark grey	12	Beneath vehicle - RH side	SUBFRAME
C44-C	Main harness to rear bumper harness	Green	22	Adjacent to spare wheel - LH side	CABIN LH
C44-C	Main harness to rear bumper harness	Black	16	Adjacent to spare wheel - LH side	CABIN RH
C44-C	Rear bumper harness to main harness	Green	22	Adjacent to spare wheel - LH side	REAR BUMPER
C44-D	Luggage compartment lid link harness to luggage compartment lid harness	Green	16	Parcel shelf - under right hand side	BOOTLID LINK
C44-D	Luggage compartment lid link harness to luggage compartment lid harness	Green	16	Parcel shelf - under right hand side	CABIN RH
C44-D	Luggage compartment lid harness to luggage compartment lid link harness	Green	16	Parcel shelf - under right hand side	CABIN LH
C44-E	Main harness to fuel tank harness	Dark grey	8	Beneath vehicle - RH side	CABIN LH
C44-E	Main harness to fuel tank harness	Dark grey	8	Beneath vehicle - RH side	CABIN RH
C44-E	Fuel tank harness to main harness	Dark grey	8	Beneath vehicle - RH side	SUBFRAME
C44-F	Main harness to rear bumper harness	Dark grey	6	Beneath rear of vehicle - Center	CABIN LH
C44-F	Main harness to rear bumper harness	Dark grey	6	Beneath rear of vehicle - Center	CABIN RH
C44-F	Rear bumper harness to main harness	Black	6	Beneath rear of vehicle - Center	SUBFRAME
C44-H	Audio system harness to main harness	Green	16	Adjacent to spare wheel - LH side	TELEMATICS
C44-H	Main harness to audio system harness	Green	16	Adjacent to spare wheel - LH side	CABIN LH
C44-H	Main harness to audio system harness	Green	16	Adjacent to spare wheel - LH side	CABIN RH
C44-J	Main harness to telematics harness	Light grey	2	Adjacent to spare wheel - LH side	CABIN LH
C44-J	Main harness to telematics harness	Light grey	2	Adjacent to spare wheel - LH side	CABIN RH
C44-J	Telematics harness to main harness	Grey	2	Adjacent to spare wheel - LH side	TELEMATICS
C44-K	Tail door harness to link harness	Black	10	Luggage compartment lid	BOOTLID MAIN
C44-K	Link harness to tail door harness	Black	10	Luggage compartment lid	BOOTLID LINK
C44-L	Telematics harness to rear bumper harness	Black	4	Adjacent to spare wheel - LH side	TELEMATICS
C44-L	Rear bumper harness to telematics harness	Black	4	Adjacent to spare wheel - LH side	REAR BUMPER
C44-M	Rear bumper harness to BSM link harness	Black	6	Behind RH rear wheel arch liner	REAR BUMPER
C44-M	BSM link harness to rear bumper harness	Black	6	Behind RH rear wheel arch liner	LINK BLIND SPOT MONITORING
C44-N	Rear bumper harness to BSM link harness	Black	6	Behind LH side of rear bumper	REAR BUMPER
C44-N	BSM link harness to rear bumper harness	Black	6	Behind LH side of rear bumper	LINK BLIND SPOT MONITORING
C49-A	Main harness to roof harness	Green	22	RH side of rear window	CABIN LH
C49-A	Main harness to roof harness	Green	22	RH side of rear window	CABIN RH
C49-A	Roof harness to main harness	Green	22	RH side of rear window	ROOF
C49-B	ICE harness to link harness	Green	1	Beneath parcel shelf trim-LH side	TELEMATICS
C49-B	Link harness to ICE harness	Green	1	Beneath parcel shelf trim-LH side	WHITEFIRE LINK
C4BF01B	Junction box-Battery		1	Rear of luggage compartment - Center	CABIN LH
C4BF01B	Junction box-Battery		1	Rear of luggage compartment - Center	CABIN RH

Connector	Description	Color	Cav	Location	Harness
C4BF01C	Junction box-Battery		1	Rear of luggage compartment - Center	CABIN LH
C4BF01C	Junction box-Battery		1	Rear of luggage compartment - Center	CABIN RH
C4BF01D	Junction box-Battery		1	Rear of luggage compartment - Center	CABIN LH
C4BF01D	Junction box-Battery		1	Rear of luggage compartment - Center	CABIN RH
C4BF01E	Junction box-Battery		1	Rear of luggage compartment - Center	CABIN LH
C4BF01E	Junction box-Battery		1	Rear of luggage compartment - Center	CABIN RH
C4BF01F	Junction box-Battery		1	Rear of luggage compartment - Center	CABIN LH
C4BF01F	Junction box-Battery		1	Rear of luggage compartment - Center	CABIN RH
C4BF01G	Junction box-Battery		1	Rear of luggage compartment - Center	CABIN LH
C4BF01G	Junction box-Battery		1	Rear of luggage compartment - Center	CABIN RH
C4BF01H	Junction box-Battery		1	Rear of luggage compartment - Center	CABIN LH
C4BF01H	Junction box-Battery		1	Rear of luggage compartment - Center	CABIN RH
C4BF01J	Junction box-Battery		1	Rear of luggage compartment - Center	CABIN LH
C4BF01J	Junction box-Battery		1	Adjacent to spare wheel - RH side	CABIN RH
C4BR01A	Junction box-Rear	Black	1	Adjacent to spare wheel - RH side	STARTER LEAD DIESEL
C4BR01A	Junction box-Rear	Black	12	Adjacent to spare wheel - RH side	STARTER LEAD PETROL
C4BR01A	Junction box-Rear	Black	12	Luggage compartment - RH side	CABIN LH
C4BR01B	Junction box-Rear	Natural	10	Luggage compartment - RH side	CABIN RH
C4BR01B	Junction box-Rear	Natural	10	Luggage compartment - RH side	CABIN LH
C4BR01C	Junction box-Rear	Black	26	Luggage compartment - RH side	CABIN RH
C4BR01C	Junction box-Rear	Black	26	Luggage compartment - RH side	CABIN LH
C4BR01D	Junction box-Rear	Black	3	Luggage compartment - RH side	CABIN RH
C4BR01D	Junction box-Rear	Black	3	Luggage compartment - RH side	CABIN LH
C4BR01E	Junction box-Rear	Black	1	Luggage compartment - RH side	CABIN RH
C4BR01E	Junction box-Rear	Black	1	Luggage compartment - RH side	CABIN LH
C4CA04	Wheel speed Sensor-Rear-LH	Black	2	Luggage compartment - RH side	SUBFRAME
C4CA06	Wheel speed Sensor-Rear-RH	Black	2	Below LH rear wheelarch	SUBFRAME
C4CB01A	Module-Parking brake	Light grey	14	Beneath rear of vehicle RH side	CABIN LH
C4CB01A	Module-Parking brake	Light grey	14	Luggage compartment - RH side	CABIN RH
C4CB01B	Module-Parking brake	Grey	24	Luggage compartment - RH side	CABIN LH
C4CB01B	Module-Parking brake	Grey	24	Luggage compartment - RH side	CABIN RH
C4CB18	Parking Brake Actuator	Dark grey	6	Luggage compartment - RH side	SUBFRAME
C4CB18	Parking Brake Actuator	Dark grey	6	Beneath rear of vehicle RH side	SUBFRAME
C4CD01A	Module-Damping-Continuously variable	Green	30	Beneath rear of vehicle RH side	CABIN LH
C4CD01A	Module-Damping-Continuously variable	Green	30	Luggage compartment - RH side	CABIN RH
C4CD01B	Module-Damping-Continuously variable	Grey	2	Luggage compartment - RH side	CABIN LH
C4CD01B	Module-Damping-Continuously variable	Grey	2	Luggage compartment - RH side	CABIN RH
C4CD01C	Module-Damping-Continuously variable	Grey	23	Luggage compartment - RH side	CABIN LH
C4CD01C	Module-Damping-Continuously variable	Grey	23	Luggage compartment - RH side	CABIN RH
C4CD01E	Module-Damping-Continuously variable	Blue	23	Luggage compartment - RH side	CABIN LH
C4CD01E	Module-Damping-Continuously variable	Blue	23	Luggage compartment - RH side	CABIN RH

Connector	Description	Color	Cav	Location	Harness
C4CD01F	Module-Chassis control	Natural	23	Luggage compartment - RH side	CABIN LH
C4CD01F	Module-Chassis control	Natural	23	Luggage compartment - RH side	CABIN RH
C4CD01G	Module-Chassis control	Brown	23	Luggage compartment - RH side	CABIN LH
C4CD01G	Module-Chassis control	Brown	23	Luggage compartment - RH side	CABIN RH
C4CD05	Solenoid-Damper-Rear-LH	Black	2	Luggage compartment - LH side	TELEMATICS
C4CD06	Solenoid-Damper Rear-RH	Black	2	Luggage compartment - RH side	CABIN LH
C4CD06	Solenoid-Damper Rear-RH	Black	2	Luggage compartment - RH side	CABIN RH
C4CD09	Accelerometer-Rear left	Black	3	Luggage compartment - LH side	TELEMATICS
C4CD12	Sensor-Height-Rear-LH	Black	6	Below LH rear wheelarch	SUBFRAME
C4CD13	Sensor-Height-Rear-RH	Black	6	Beneath rear of vehicle RH side	SUBFRAME
C4CD24	Accelerometer-Rear right	Black	3	Luggage compartment - RH side	CABIN LH
C4CD24	Accelerometer-Rear right	Black	3	Luggage compartment - RH side	CABIN RH
C4CL01A	Motor-Compressor-Air Suspension	Black	2	Adjacent to spare wheel - RH side	CABIN LH
C4CL01A	Motor-Compressor-Air Suspension	Black	2	Adjacent to spare wheel - RH side	CABIN RH
C4CL01C	Motor-Compressor-Air Suspension	Black	2	Adjacent to spare wheel - RH side	CABIN LH
C4CL01C	Motor-Compressor-Air Suspension	Black	2	Adjacent to spare wheel - RH side	CABIN RH
C4CL02A	Reservoir control valve	Black	10	Adjacent to spare wheel - RH side	CABIN LH
C4CL02A	Reservoir control valve	Black	10	Adjacent to spare wheel - RH side	CABIN RH
C4CL12A	Sensor-Height-Rear-LH	Black	3	Below LH rear wheelarch	SUBFRAME
C4CL13A	Sensor-Height-Rear-RH	Black	3	Beneath rear of vehicle RH side	SUBFRAME
C4CL14A	Module-Air suspension	Natural	20	Luggage compartment - RH side	CABIN LH
C4CL14A	Module-Air suspension	Natural	20	Luggage compartment - RH side	CABIN RH
C4CL14B	Module-Air suspension	Black	8	Luggage compartment - RH side	CABIN LH
C4CL14B	Module-Air suspension	Black	8	Luggage compartment - RH side	CABIN RH
C4CL14D	Module-Air suspension	Grey	24	Luggage compartment - RH side	CABIN LH
C4CL14D	Module-Air suspension	Grey	24	Luggage compartment - RH side	CABIN RH
C4CMC09	Brake pad wear sensor	Black	2	Luggage compartment - RH side	SUBFRAME
C4D101	Battery		1	Beneath rear of vehicle RH side	BATTERY MINUS
C4DC02A	Battery		1	Adjacent to spare wheel - RH side	BATTERY POSITIVE PETROL
C4DC02A	Battery		1	Adjacent to spare wheel - RH side	BATTERY POSITIVE DIESEL
C4DC05A	Battery	Black	2	Adjacent to spare wheel - RH side	CABIN LH
C4DC05A	Battery	Black	2	Adjacent to spare wheel - RH side	CABIN RH
C4DC05B	Battery		1	Adjacent to spare wheel - RH side	CABIN LH
C4DC05B	Battery		1	Adjacent to spare wheel - RH side	CABIN RH
C4DC27	Relay-Transit	White	2	Adjacent to spare wheel - RH side	CABIN LH
C4DC27	Relay-Transit	White	2	Adjacent to spare wheel - RH side	CABIN RH
C4DF10A	Junction box-Battery		1	Adjacent to spare wheel - RH side	BATTERY POSITIVE PETROL
C4DF10A	Junction box-Battery		1	Adjacent to spare wheel - RH side	BATTERY POSITIVE DIESEL
C4E730	Unit-Leak detection	Black	4	Beneath rear of vehicle LH side	CABIN LH
C4E730	Unit-Leak detection	Black	4	Beneath rear of vehicle LH side	CABIN RH

Connector	Description	Color	Cav	Location	Harness
C4E830	Sensor-Low fuel-pressure	Black	3	Beneath rear seat - RH Side	CABIN LH
C4E830	Sensor-Low fuel-pressure	Black	3	Beneath rear seat - RH Side	CABIN RH
C4ES15	Module-Fuel-pump driver	Dark grey	6	Beneath rear of vehicle RH side	CABIN LH
C4ES15	Module-Fuel-pump driver	Dark grey	6	Beneath rear of vehicle RH side	CABIN RH
C4ET63A	Rear differential control module	Black	17	Luggage compartment - RH side	CABIN LH
C4ET63A	Rear differential control module	Black	17	Luggage compartment - RH side	CABIN RH
C4ET63B	Rear differential control module	Yellow	9	Luggage compartment - RH side	CABIN LH
C4ET63B	Rear differential control module	Yellow	9	Luggage compartment - RH side	CABIN RH
C4ET63C	Rear differential control module	Purple	15	Luggage compartment - RH side	CABIN LH
C4ET63C	Rear differential control module	Purple	15	Luggage compartment - RH side	CABIN RH
C4ET64A	Link harness to main harness	Black	12	Beneath rear of vehicle - Center	LINK CABIN REAR DIFF OIL SENSOR
C4ET64A	Main harness to link harness	Black	12	Beneath rear of vehicle - Center	CABIN LH
C4ET64A	Main harness to link harness	Black	12	Beneath rear of vehicle - Center	CABIN RH
C4ET66A	Sensor-Temperature-Differential oil		1	Beneath rear of vehicle - Center	LINK CABIN REAR DIFF OIL SENSOR
C4H415A	Sensor-Sunload-Rear	Grey	4	Parcel shelf - under center	REAR PARCEL SHELF
C4LN13	Lamp-Luggage compartment	Black	2	Parcel shelf - under center	TELEMATICS
C4LS04	License plate lamp	Natural	2	Behind LH side of rear bumper	REAR BUMPER
C4LS05	License plate lamp	Natural	2	Behind Center of rear bumper	REAR BUMPER
C4LS35	Tail lamp unit-LH	Black	6	Behind LH side of rear bumper	REAR BUMPER
C4LS35	Tail lamp unit-LH	Black	6	Behind LH side of rear bumper	REAR BUMPER
C4LS36	Tail lamp unit-RH	Black	6	Behind RH side of rear bumper	REAR BUMPER
C4LS36	Tail lamp unit-RH	Black	6	Behind RH side of rear bumper	REAR BUMPER
C4LS50	Lamp-High mounted stop	White	3	Behind rear seat backrest - RH side	REAR BUMPER
C4LS50	Lamp-High mounted stop	White	3	Behind rear seat backrest - RH side	CABIN LH
C4MC11A	Fuel Tank-Petrol	Black	6	Beneath rear seat - RH Side	CABIN RH
C4MC11A	Fuel Tank-Petrol	Black	6	Beneath rear seat - RH Side	CABIN LH
C4MC11B	Fuel tank-Diesel	Black	6	Beneath rear seat - RH Side	CABIN RH
C4MC11B	Fuel tank-Diesel	Black	6	Beneath rear seat - RH Side	CABIN LH
C4MC42	Initiator-Rear-LH	Black	2	Beneath rear seat - RH Side	CABIN RH
C4MC43	Initiator-Rear-RH	Black	2	Behind LH rear wheel arch liner	REAR BUMPER
C4ME01	Speaker-Subwoofer	Natural	4	Behind RH rear wheel arch liner	REAR BUMPER
C4ME02	Sub-woofer	Natural	4	Parcel shelf - under left hand side	TELEMATICS
C4ME09	LH rear surround sound speaker	Black	2	Parcel shelf - under right hand side	TELEMATICS
C4ME12	RH rear surround sound speaker	Black	2	Parcel shelf - under left hand side	REAR PARCEL SHELF
C4ME22A	Amplifier-power	Grey	2	Parcel shelf - under right hand side	REAR PARCEL SHELF
C4ME22B	Amplifier-power	Black	1	Luggage compartment - LH side	TELEMATICS
C4ME22C	Amplifier-power	Grey	2	Luggage compartment - LH side	TELEMATICS
C4ME22D	Amplifier-power	Blue	16	Luggage compartment - LH side	TELEMATICS
C4ME22E	Amplifier-power	Blue	16	Luggage compartment - LH side	TELEMATICS
C4ME22F	Amplifier-power	Green	22	Luggage compartment - LH side	TELEMATICS

Connector	Description	Color	Cav	Location	Harness
C4ME24A	Module-Tuner-DAB	Black	2	Luggage compartment - LH side	TELEMATICS
C4ME24B	Module-Tuner-DAB	Black	2	Luggage compartment - LH side	TELEMATICS
C4ME24C	Module-Tuner-DAB		1	Luggage compartment - LH side	TELEMATICS
C4ME33A	Receiver-Television	Grey	20	Luggage compartment - LH side	TELEMATICS
C4ME33B	Receiver-Television	Black	2	Luggage compartment - LH side	TELEMATICS
C4ME33C	Receiver-Television		1	Luggage compartment - LH side	TELEMATICS
C4ME33D	Receiver-Television		1	Luggage compartment - LH side	TELEMATICS
C4ME33E	Receiver-Television		1	Luggage compartment - LH side	TELEMATICS
C4ME41A	Module-SDARS	Black	2	Luggage compartment - LH side	TELEMATICS
C4ME41B	Module-SDARS	Black	2	Luggage compartment - LH side	TELEMATICS
C4ME41C	Module-SDARS		1	Luggage compartment - LH side	TELEMATICS
C4MN23A	Module-Navigation system	Grey	20	Luggage compartment - LH side	TELEMATICS
C4MN23B	Module-Navigation system		1	Luggage compartment - LH side	TELEMATICS
C4MN23C	Module-Navigation system		1	Luggage compartment - LH side	TELEMATICS
C4MP14	Sensor-Parking aid-Inner-Rear-LH	Black	3	Behind LH side of rear bumper	REAR BUMPER
C4MP15	Sensor-Parking aid-Outer-Rear-LH	Black	3	Behind LH side of rear bumper	REAR BUMPER
C4MP16	Sensor-Parking aid-Inner-Rear-RH	Black	3	Behind RH side of rear bumper	REAR BUMPER
C4MP17	Sensor-Parking aid-Outer-Rear-RH	Black	3	Behind RH side of rear bumper	REAR BUMPER
C4MP19	Camera-Rear view	Black	6	Behind Center of rear bumper	REAR BUMPER
C4PK07	Antenna-LF-Rear-External	Black	2	Behind Center of rear bumper	REAR BUMPER
C4PK08	Antenna-LF-Rear-Internal	Black	2	Parcel shelf - under center	TELEMATICS
C4PK38	Antenna-Loadspace-LHS	Black	2	Parcel shelf - under center	TELEMATICS
C4PL10A	Strut-Powered lid-Luggage compartment	Black	10	Luggage compartment - LH side	BOOTLID LINK
C4PL17A	Latch-Luggage compartment lid	Natural	6	Luggage compartment lid	BOOTLID MAIN
C4PL18	Motor-Release-Fuel flap	Dark grey	2	Behind RH rear wheel arch liner	REAR BUMPER
C4PL20A	Module-Powered lid-Luggage compartment	Light grey	14	Rear of luggage compartment - Center	CABIN LH
C4PL20A	Module-Powered lid-Luggage compartment	Light grey	14	Rear of luggage compartment - Center	CABIN RH
C4PL20B	Module-Powered lid-Luggage compartment	Light grey	14	Rear of luggage compartment - Center	CABIN LH
C4PL20B	Module-Powered lid-Luggage compartment	Black	24	Rear of luggage compartment - Center	CABIN RH
C4PL20B	Module-Powered lid-Luggage compartment	Black	24	Rear of luggage compartment - Center	CABIN RH
C4PL45B	Switch-Luggage compartment-Lid release-Exterior	Black	2	Rear of luggage compartment - Center	REAR BUMPER
C4PL61A	Module-Power close	Light grey	2	Behind RH side of rear bumper	REAR BUMPER
C4PR77A	Switch-Luggage compartment Lid close	Light grey	4	Luggage compartment lid	BOOTLID MAIN
C4PR87	Motor-Sun blind	Green	5	Luggage compartment lid	BOOTLID MAIN
C4PR87	Motor-Sun blind	Light grey	4	Behind rear seat backrest - RH side	CABIN LH
C4PR87	Motor-Sun blind	Light grey	4	Behind rear seat backrest - RH side	CABIN RH
C4RB02A	Module-Blind spot monitoring-RH	Black	6	Behind RH rear wheel arch liner	LINK BLIND SPOT MONITORING
C4RB02B	Module-Blind spot monitoring-LH	Black	6	Behind RH rear wheel arch liner	LINK BLIND SPOT MONITORING
C5LN31	Lamp-Puddle-Driver	Black	2	Behind LH side of rear bumper	DRIVER DOOR TRIM
C5LN45A	LED-Ambient-Door-Driver	Black	2	Behind driver door trim panel	DRIVER DOOR TRIM
C5LN45B	LED-Ambient-Door-Driver	Light grey	2	Behind driver door trim panel	DRIVER DOOR TRIM
C6LN32	Lamp-Puddle-Passenger	Light grey	2	Behind driver door trim panel	DRIVER DOOR TRIM
		Black	2	Behind passenger door trim panel	PASSENGER DOOR TRIM

Connector	Description	Color	Cav	Location	Harness
C6LN45A	LED-Ambient-Door-Passenger	Light grey	2	Behind passenger door trim panel	PASSENGER DOOR TRIM
C6LN45B	LED-Ambient-Door-Passenger	Light grey	2	Behind passenger door trim panel	PASSENGER DOOR TRIM
C7LN33	Lamp-Puddle-Rear	White	2	Behind rear door trim panel	REAR DOOR TRIM
C7LN33	Lamp-Puddle-Rear	White	2	Behind rear door trim panel	REAR DOOR TRIM
C7LN48A	LED-Ambient-Door-Rear	Light grey	2	Behind rear door trim panel	REAR DOOR TRIM
C7LN48A	LED-Ambient-Door-Rear	Light grey	2	Behind rear door trim panel	REAR DOOR TRIM
C7LN48B	LED-Ambient-Door-Rear	Light grey	2	Behind rear door trim panel	REAR DOOR TRIM
C7LN48B	LED-Ambient-Door-Rear	Light grey	2	Behind rear door trim panel	REAR DOOR TRIM
C7ME09	Speaker-Low range-Rear door	Natural	4	Behind rear door trim panel	REAR DOOR (LWB)
C7ME09	Speaker-Low range-Rear door	Natural	4	Behind rear door trim panel	REAR DOOR (SWB)
C7ME39	Speaker-Mid range-Rear door	Black	2	Behind rear door trim panel	REAR DOOR TRIM
C7ME39	Speaker-Mid range-Rear door	Black	2	Behind rear door trim panel	REAR DOOR TRIM
C7PK12	Keyless vehicle module	Black	4	Behind rear door trim panel	REAR DOOR (SWB)
C7PK12	Module-Rear door latch	Black	4	Behind rear door trim panel	REAR DOOR (LWB)
C7PK25	Module-Rear door handle	Black	6	Behind rear door trim panel	REAR DOOR (LWB)
C7PK25	Module-Rear door handle	Black	6	Behind rear door trim panel	REAR DOOR (SWB)
C7PL01	Module-Rear Door	Black	6	Behind rear door trim panel	REAR DOOR (LWB)
C7PL01	Module-Rear Door	Black	22	Behind rear door trim panel	REAR DOOR (SWB)
C7PL72	Module-Door latch	Black	22	Behind rear door trim panel	REAR DOOR (LWB)
C7PL72	Module-Rear door latch	Black	10	Behind rear door trim panel	REAR DOOR (SWB)
C7PW23	Switch-Window-Rear	Black	10	Behind rear door trim panel	REAR DOOR (LWB)
C7PW23	Switch-Window-Rear	Light blue	5	Behind rear door trim panel	REAR DOOR (SWB)
C7PW24	Motor-Window-Rear	Light blue	5	Behind rear door trim panel	REAR DOOR TRIM
C7PW24	Motor-Window-Rear	Dark grey	6	Behind rear door trim panel	REAR DOOR TRIM
C7PW24	Motor-Window-Rear	Dark grey	6	Behind rear door trim panel	REAR DOOR (LWB)
C99-A	Sunroof harness to main harness	Grey	6	Behind rear door trim panel	REAR DOOR (SWB)
C99-A	Main harness to sunroof harness	Grey	10	Headlining - Front LH side	ROOF
C99-A	Main harness to sunroof harness	Grey	10	Headlining - Front LH side	CABIN LH
C99-A	Main harness to sunroof harness	Grey	10	Headlining - Front LH side	CABIN RH
C9LN23	Mirror-Vanity-RH	Black	10	Headlining - Front LH side	ROOF
C9LN24	Mirror-Vanity-LH	Black	2	Headlining - Front RH side	ROOF
C9LN27	Console-Overhead-Rear	Black	2	Headlining - Front LH side	ROOF
C9LN28	Overhead console	Grey	7	Headlining - Front LH side	ROOF
C9LN29	Mirror-Vanity-Rear-LH	Grey	20	Rear of headlining	ROOF
C9LN30	Mirror-Vanity-Rear-RH	Grey	20	Front of headlining in the center	ROOF
C9ME115A	Amplifier-Antenna	Black	3	Top of LH 'B' post, behind headlining	ROOF
C9ME115B	Amplifier-Antenna	Black	3	Behind headlining top of RH 'B' post	ROOF
C9ME115C	Amplifier-Antenna	Black	3	RH side of rear window	TELEMATICS
C9ME115D	Amplifier-Antenna	Black	1	RH side of rear window	TELEMATICS
C9ME115E	Amplifier-Antenna	Natural	1	RH side of rear window	TELEMATICS
C9ME116A	Amplifier-Antenna	Natural	1	RH side of rear window	TELEMATICS
C9ME116B	Amplifier-Antenna	Natural	1	RH side of rear window	TELEMATICS

Connector	Description	Color	Cav	Location	Harness
C9ME116C	Amplifier-Antenna		1	LH side of rear window	TELEMATICS
C9ME116D	Amplifier-Antenna		1	LH side of rear window	TELEMATICS
C9ME116E	Amplifier-Antenna		1	LH side of rear window	TELEMATICS
C9ME144	Module-Headphone		1	Behind Center headlining	HARNESS
C9MN03A	Amplifier-Antenna		1	Top of rear screen	TELEMATICS
C9MN03B	Amplifier-Antenna		1	Top of rear screen	TELEMATICS
C9MN03C	Amplifier-Antenna		1	Top of rear screen	TELEMATICS
C9PM05	Mirror-Interior	Grey	8	Top of windscreen	CABIN LH
C9PM05	Mirror-Interior	Grey	8	Top of windscreen	CABIN RH
C9PR153A	Motor-Roof blind-Front	Black	5	Behind headlining top of RH 'B' post	ROOF
C9PR155A	Motor-Roof blind-Rear	Black	5	Top of LH 'B' post, behind headlining	ROOF
C9PR32A	Module-Roof opening panel and roof blinds			Headlining - Front LH side	ROOF
C9R109	Air bag-Side curtain-LH		1	Top of LH 'B' post, behind headlining	CABIN LH
C9R109	Air bag-Side curtain-LH		1	Top of LH 'B' post, behind headlining	CABIN RH
C9R111	Air bag-Side curtain-RH		1	Behind headlining top of RH 'B' post	CABIN LH
C9R111	Air bag-Side curtain-RH		1	Behind headlining top of RH 'B' post	CABIN RH
C9RD02A	RF filter	Light grey	2	RH side of rear window	CABIN LH
C9RD02A	RF filter	Light grey	2	RH side of rear window	CABIN RH
C9RD03A	Windshield LH heater element	Black	1	LH 'A' post	CABIN LH
C9RD03A	Windshield LH heater element	Black	1	LH 'A' post	CABIN RH
C9RD03B	Windshield LH heater element	Black	1	LH 'A' post	CABIN LH
C9RD03B	Windshield LH heater element	Black	1	LH 'A' post	CABIN RH
C9RD04A	Windshield RH heater element	Black	1	RH 'A' post	CABIN LH
C9RD04A	Windshield RH heater element	Black	1	RH 'A' post	CABIN RH
C9RD04B	Windshield RH heater element	Black	1	RH 'A' post	CABIN LH
C9RD04B	Windshield RH heater element	Black	1	RH 'A' post	CABIN RH
C9RD09B	Earth-Strap	Black	1	RH 'A' post	CABIN RH
C9RT03	Receiver-Radio-frequency (RF)	Violet	3	LH side of rear window	ANTENNA LINK
C9RW06	Sensor-Rain	Black	3	Rear of headlining	TELEMATICS
C9RW06	Sensor-Rain	Black	3	Top of windscreen	CABIN LH
C9RW06	Sensor-Rain	Black	3	Top of windscreen	CABIN RH
CA001	Illumination-Treadplate-Front LH	Black	3	Door sill	CABIN LH
CA001	Illumination-Treadplate-Front LH	Black	3	Door sill	CABIN RH
CA002	Illumination-Treadplate-Front RH	Black	3	Door sill	CABIN LH
CA002	Illumination-Treadplate-Front RH	Black	3	Door sill	CABIN RH
CA003	Illumination-Treadplate-Rear LH	Black	3	Door sill	CABIN LH
CA003	Illumination-Treadplate-Rear LH	Black	3	Door sill	CABIN RH
CA004	Illumination-Treadplate-Rear RH	Black	3	Door sill	CABIN LH
CA004	Illumination-Treadplate-Rear RH	Black	3	Door sill	CABIN RH
CA005	Illumination-Loadspace finisher	Black	3	Door sill	CABIN LH
CA005	Illumination-Loadspace finisher	Black	3	Door sill	CABIN RH
			3	Rear of luggage compartment - Center	CABIN LH
			3	Rear of luggage compartment - Center	CABIN RH

Connector	Description	Color	Cav	Location	Harness
CAME07	Speaker-Low range-Front door	Natural	4	Behind driver door trim panel	DRIVER DOOR
CAME08	Speaker-High range-Front door	Grey	2	Behind driver door trim panel	DRIVER DOOR
CAME15	Speaker-Mid range-Front door	Black	2	Behind driver door trim panel	DRIVER DOOR TRIM
CAPK09	Module-Door latch-Driver	Black	4	Behind driver door trim panel	DRIVER DOOR
CAPK23	Handle-Driver door	Black	6	Behind driver door trim panel	DRIVER DOOR
CAPL63	Motor-Central door-locking-Driver	Black	10	Behind driver door trim panel	DRIVER DOOR
CAPM26	Mirror-Door-Driver side	Dark grey	22	Behind driver door trim panel	DRIVER DOOR
CAPS15	Switch-Seat memory-Driver	Green	5	Behind driver door trim panel	DRIVER DOOR TRIM
CAPW02A	Module-Driver door	Black	22	Behind driver door trim panel	DRIVER DOOR
CAPW02B	Module-Driver door	Black	24	Behind driver door trim panel	DRIVER DOOR
CAPW10	Switch-Window-Driver door	Light blue	5	Behind driver door trim panel	DRIVER DOOR TRIM
CAPW11	Motor-Window-Driver	Dark grey	6	Behind driver door trim panel	DRIVER DOOR
CBME10	Speaker-Low range-Front door	Natural	4	Behind passenger door trim panel	PASSENGER DOOR
CBME11	Speaker-High range-Front door	Grey	2	Behind passenger door trim panel	PASSENGER DOOR
CBME16	Speaker-Mid range-Front door	Black	2	Behind passenger door trim panel	PASSENGER DOOR TRIM
CBPK10	Module-Door latch-Passenger	Black	4	Behind passenger door trim panel	PASSENGER DOOR
CBPK24	Handle-Passenger door	Black	6	Behind passenger door trim panel	PASSENGER DOOR
CBPL64	Motor-Central door-locking-Passenger	Black	10	Behind passenger door trim panel	PASSENGER DOOR
CBPM31	Mirror-Door-Passenger side	Dark grey	22	Behind passenger door trim panel	PASSENGER DOOR
CBPS15	Switch-Seat memory-Passenger	Green	5	Behind passenger door trim panel	PASSENGER DOOR TRIM
CBPW04A	Module-Passenger door	Grey	22	Behind passenger door trim panel	PASSENGER DOOR
CBPW04B	Module-Passenger door	Grey	24	Behind passenger door trim panel	PASSENGER DOOR
CBPW19	Switch-Window-Passenger door	Light blue	5	Behind passenger door trim panel	PASSENGER DOOR TRIM
CBPW20	Motor-Window-Passenger	Dark grey	6	Behind passenger door trim panel	PASSENGER DOOR
G1D120AS	Ground point		1	Lower RH rear of engine compartment	STARTER TO GROUND
G1D121AL	Ground point		1	Rear LH side of engine compartment	ENGINE COMPARTMENT LH
G1D121AL	Ground point		1	Rear LH side of engine compartment	ENGINE COMPARTMENT RH
G1D121AR	Ground point		1	Rear LH side of engine compartment	ENGINE COMPARTMENT LH
G1D121AR	Ground point		1	Rear LH side of engine compartment	ENGINE COMPARTMENT RH
G1D121BS	Ground point		1	Rear LH side of engine compartment	ENGINE COMPARTMENT LH
G1D121BS	Ground point		1	Rear LH side of engine compartment	ENGINE COMPARTMENT RH
G1D121CS	Ground point		1	Rear LH side of engine compartment	ENGINE COMPARTMENT LH
G1D121CS	Ground point		1	Rear LH side of engine compartment	ENGINE COMPARTMENT RH
G1D122AL	Ground point		1	Rear LH side of engine compartment	ENGINE COMPARTMENT LH
G1D122AL	Ground point		1	Rear LH side of engine compartment	ENGINE COMPARTMENT RH
G1D122AR	Ground point		1	Rear LH side of engine compartment	ENGINE COMPARTMENT LH
G1D122AR	Ground point		1	Rear LH side of engine compartment	ENGINE COMPARTMENT RH
G1D122BS	Ground point		1	Rear LH side of engine compartment	ENGINE COMPARTMENT LH
G1D122BS	Ground point		1	Rear LH side of engine compartment	ENGINE COMPARTMENT RH
G1D124AL	Ground point		1	Rear RH side of engine compartment	ENGINE COMPARTMENT RH

Connector	Description	Color	Cav	Location	Harness
G1D124AL	Ground point		1	RH side of engine compartment	ENGINE COMPARTMENT LH
G1D124AR	Ground point		1	Rear RH side of engine compartment	ENGINE COMPARTMENT RH
G1D124AR	Ground point		1	RH side of engine compartment	ENGINE COMPARTMENT LH
G1D124BS	Ground point		1	Rear RH side of engine compartment	ENGINE COMPARTMENT RH
G1D124BS	Ground point		1	RH side of engine compartment	ENGINE COMPARTMENT LH
G1D124CS	Ground point		1	Rear RH side of engine compartment	ENGINE COMPARTMENT RH
G1D124CS	Ground point		1	RH side of engine compartment	ENGINE COMPARTMENT LH
G1D125AL	Ground point		1	Rear RH side of engine compartment	ENGINE COMPARTMENT RH
G1D125AL	Ground point		1	RH side of engine compartment	ENGINE COMPARTMENT LH
G1D125AR	Ground point		1	Rear RH side of engine compartment	ENGINE COMPARTMENT RH
G1D125AR	Ground point		1	RH side of engine compartment	ENGINE COMPARTMENT LH
G1D125BL	Ground point		1	Rear RH side of engine compartment	ENGINE COMPARTMENT RH
G1D125BL	Ground point		1	RH side of engine compartment	ENGINE COMPARTMENT LH
G1D125BR	Ground point		1	Rear RH side of engine compartment	ENGINE COMPARTMENT RH
G1D125BR	Ground point		1	RH side of engine compartment	ENGINE COMPARTMENT LH
G1D129AL	Ground point		1	Front LH side of engine compartment	ENGINE COMPARTMENT LH
G1D129AL	Ground point		1	Front LH side of engine compartment	ENGINE COMPARTMENT RH
G1D129AR	Ground point		1	Front LH side of engine compartment	ENGINE COMPARTMENT LH
G1D129AR	Ground point		1	Front LH side of engine compartment	ENGINE COMPARTMENT RH
G1D129BL	Ground point		1	Front LH side of engine compartment	ENGINE COMPARTMENT LH
G1D129BL	Ground point		1	Front LH side of engine compartment	ENGINE COMPARTMENT RH
G1D129BR	Ground point		1	Front LH side of engine compartment	ENGINE COMPARTMENT LH
G1D129BR	Ground point		1	Front LH side of engine compartment	ENGINE COMPARTMENT RH
G1D131AS	Ground point		1	RH side of engine compartment	ENGINE COMPARTMENT LH
G1D131AS	Ground point		1	RH side of engine compartment	ENGINE COMPARTMENT RH
G1D131BL	Ground point		1	RH side of engine compartment	ENGINE COMPARTMENT LH
G1D131BL	Ground point		1	RH side of engine compartment	ENGINE COMPARTMENT RH
G1D131BR	Ground point		1	RH side of engine compartment	ENGINE COMPARTMENT LH
G1D131BR	Ground point		1	RH side of engine compartment	ENGINE COMPARTMENT RH
G2D114BS	Ground point		1	Beneath instrument panel - RH side of tunnel	CABIN LH
G2D114BS	Ground point		1	Beneath instrument panel - RH side of tunnel	CABIN RH
G2D115AS	Ground point		1	Behind passenger side of instrument panel	INSTRUMENT PANEL LHD
G2D115AS	Ground point		1	Behind passenger side of instrument panel	AIRBAG LINK
G2D115AS	Ground point		1	Behind passenger side of instrument panel	INSTRUMENT PANEL RHD
G2D116AL	Ground point		1	Behind instrument cluster	INSTRUMENT PANEL LHD
G2D116AL	Ground point		1	Behind instrument cluster	INSTRUMENT PANEL RHD
G2D116AR	Ground point		1	Behind instrument cluster	INSTRUMENT PANEL LHD
G2D116AR	Ground point		1	Behind instrument cluster	INSTRUMENT PANEL RHD
G2D116BL	Ground point		1	Behind instrument cluster	INSTRUMENT PANEL LHD
G2D116BL	Ground point		1	Behind instrument cluster	INSTRUMENT PANEL RHD

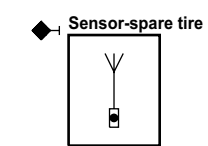
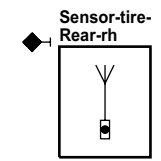
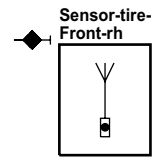
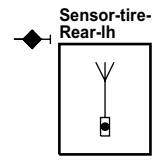
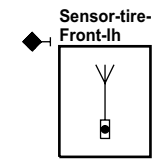
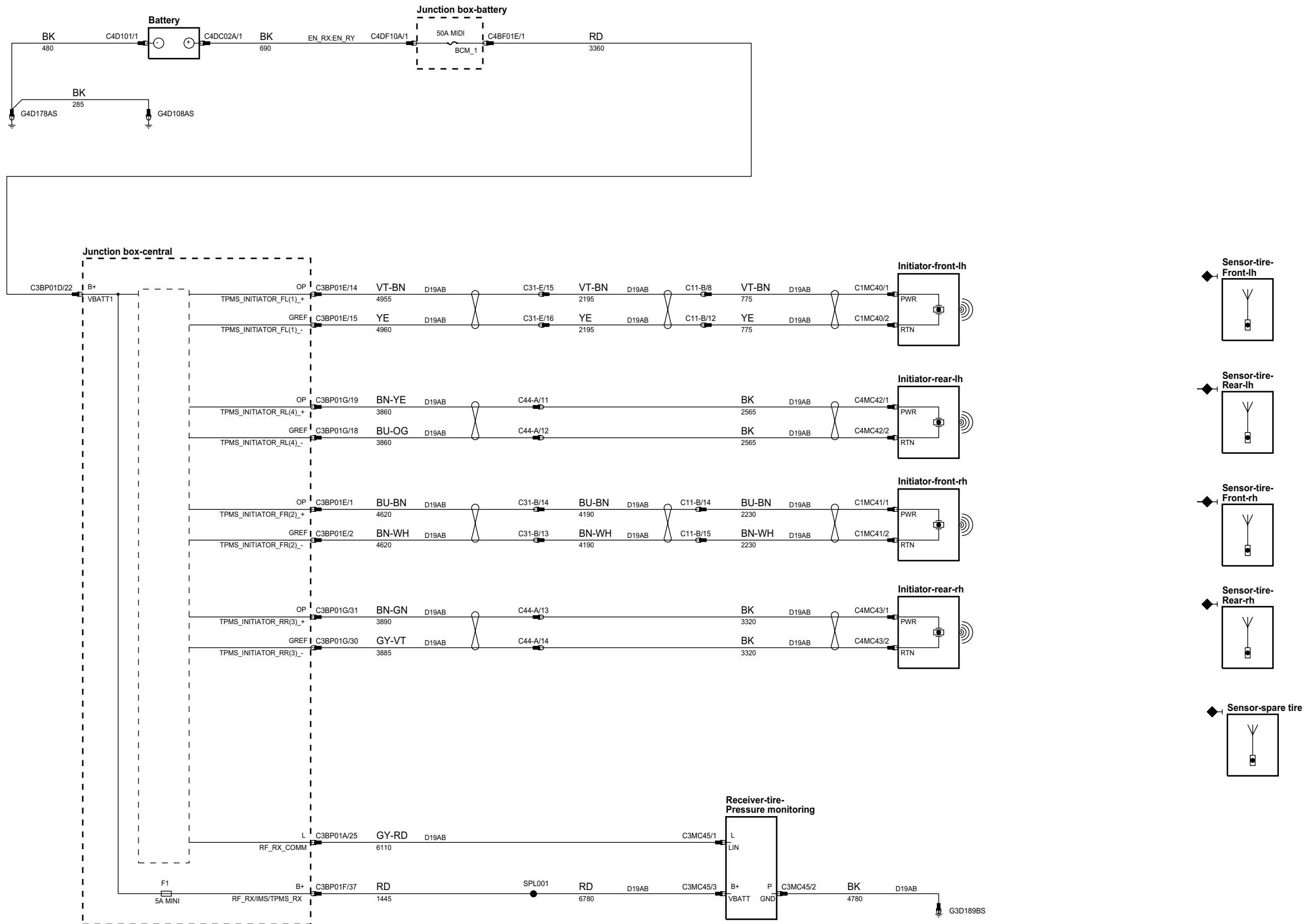
Connector	Description	Color	Cav	Location	Harness
G2D116BR	Ground point		1	Behind instrument cluster	INSTRUMENT PANEL LHD
G2D116BR	Ground point		1	Behind instrument cluster	INSTRUMENT PANEL RHD
G2D184AS	Ground point		1	Beneath center console LH side	PTC CABLE NEGATIVE
G2D185AL	Ground point		1	Behind instrument cluster	INSTRUMENT PANEL LHD
G2D185AL	Ground point		1	Behind instrument cluster	INSTRUMENT PANEL RHD
G2D185AR	Ground point		1	Behind instrument cluster	INSTRUMENT PANEL LHD
G2D185AR	Ground point		1	Behind instrument cluster	INSTRUMENT PANEL RHD
G2D185BS	Ground point		1	Behind instrument cluster	INSTRUMENT PANEL LHD
G2D185BS	Ground point		1	Behind instrument cluster	INSTRUMENT PANEL RHD
G2D186BS	Ground point		1	Behind passenger side of Instrument panel	INSTRUMENT PANEL LHD
G2D186BS	Ground point		1	Behind center of Instrument panel	INSTRUMENT PANEL LHD
G3D117AS	Ground point		1	Beneath RH Front seat	INSTRUMENT PANEL RHD
G3D117AS	Ground point		1	Beneath RH Front seat	CABIN LH
G3D133AL	Ground point		1	Base of LH 'A' post	CABIN RH
G3D133AL	Ground point		1	Base of LH 'A' post	CABIN LH
G3D133AR	Ground point		1	Base of LH 'A' post	CABIN RH
G3D133AR	Ground point		1	Base of LH 'A' post	CABIN LH
G3D133BL	Ground point		1	Base of LH 'A' post	CABIN RH
G3D133BL	Ground point		1	Base of LH 'A' post	CABIN LH
G3D133BR	Ground point		1	Base of LH 'A' post	CABIN RH
G3D133BR	Ground point		1	Base of LH 'A' post	CABIN LH
G3D138AL	Ground point		1	Base of RH 'A' post	CABIN LH
G3D138AL	Ground point		1	Base of RH 'A' post	CABIN RH
G3D138AR	Ground point		1	Base of RH 'A' post	CABIN LH
G3D138AR	Ground point		1	Base of RH 'A' post	CABIN RH
G3D138BL	Ground point		1	Base of RH 'A' post	CABIN LH
G3D138BL	Ground point		1	Base of RH 'A' post	CABIN RH
G3D138BR	Ground point		1	Base of RH 'A' post	CABIN LH
G3D138BR	Ground point		1	Base of RH 'A' post	CABIN RH
G3D161AL	Ground point		1	LH 'C' post	CABIN LH
G3D161AL	Ground point		1	LH 'C' post	CABIN RH
G3D161AR	Ground point		1	LH 'C' post	CABIN LH
G3D161AR	Ground point		1	LH 'C' post	CABIN RH
G3D161BL	Ground point		1	LH 'C' post	CABIN LH
G3D161BL	Ground point		1	LH 'C' post	CABIN RH
G3D161BR	Ground point		1	LH 'C' post	CABIN LH
G3D161BR	Ground point		1	LH 'C' post	CABIN RH
G3D162AL	Ground point		1	RH 'C' post	CABIN LH
G3D162AL	Ground point		1	RH 'C' post	CABIN RH
G3D162AR	Ground point		1	RH 'C' post	CABIN LH

Connector	Description	Color	Cav	Location	Harness
G3D162AR	Ground point		1	RH 'C' post	CABIN RH
G3D162BL	Ground point		1	RH 'C' post	CABIN LH
G3D162BL	Ground point		1	RH 'C' post	CABIN RH
G3D162BR	Ground point		1	RH 'C' post	CABIN LH
G3D162BR	Ground point		1	RH 'C' post	CABIN RH
G3D174AL	Ground point		1	Beneath LH Front seat	CABIN LH
G3D174AL	Ground point		1	Beneath LH Front seat	CABIN RH
G3D174AR	Ground point		1	Beneath LH Front seat	CABIN LH
G3D174AR	Ground point		1	Beneath LH Front seat	CABIN RH
G3D174BS	Ground point		1	Beneath LH Front seat	CABIN LH
G3D174BS	Ground point		1	Beneath LH Front seat	CABIN RH
G3D181AL	Ground point		1	Beneath RH Front seat	CABIN LH
G3D181AL	Ground point		1	Beneath RH Front seat	CABIN RH
G3D181AR	Ground point		1	Beneath RH Front seat	CABIN LH
G3D181AR	Ground point		1	Beneath RH Front seat	CABIN RH
G3D182AL	Ground point		1	Beneath LH Front seat	CABIN LH
G3D182AL	Ground point		1	Beneath LH Front seat	CABIN RH
G3D182AR	Ground point		1	Beneath LH Front seat	CABIN LH
G3D182AR	Ground point		1	Beneath LH Front seat	CABIN RH
G3D182BL	Ground point		1	Beneath LH Front seat	CABIN LH
G3D182BL	Ground point		1	Beneath LH Front seat	CABIN RH
G3D182BR	Ground point		1	Beneath LH Front seat	CABIN LH
G3D182BR	Ground point		1	Beneath LH Front seat	CABIN RH
G3D183AL	Ground point		1	Beneath RH Front seat	CABIN LH
G3D183AL	Ground point		1	Beneath RH Front seat	CABIN RH
G3D183AR	Ground point		1	Beneath RH Front seat	CABIN LH
G3D183AR	Ground point		1	Beneath RH Front seat	CABIN RH
G3D183BL	Ground point		1	Beneath RH Front seat	CABIN LH
G3D183BL	Ground point		1	Beneath RH Front seat	CABIN RH
G3D183BR	Ground point		1	Beneath RH Front seat	CABIN LH
G3D183BR	Ground point		1	Beneath RH Front seat	CABIN RH
G3D189BS	Ground point		1	LH 'C' post	CABIN LH
G3D189BS	Ground point		1	LH 'C' post	CABIN RH
G3D190BL	Ground point		1	RH 'C' post	CABIN LH
G3D190BL	Ground point		1	RH 'C' post	CABIN RH
G3D190BR	Ground point		1	RH 'C' post	CABIN LH
G3D190BR	Ground point		1	RH 'C' post	CABIN RH
G4D108AS	Ground point		1	RH 'C' post	CABIN RH
G4D109AL	Ground point		1	Adjacent to spare wheel - RH side	BATTERY MINUS
G4D109AR	Ground point		1	Rear of luggage compartment - LH side	TELEMATICS
G4D109AR	Ground point		1	Rear of luggage compartment - LH side	TELEMATICS

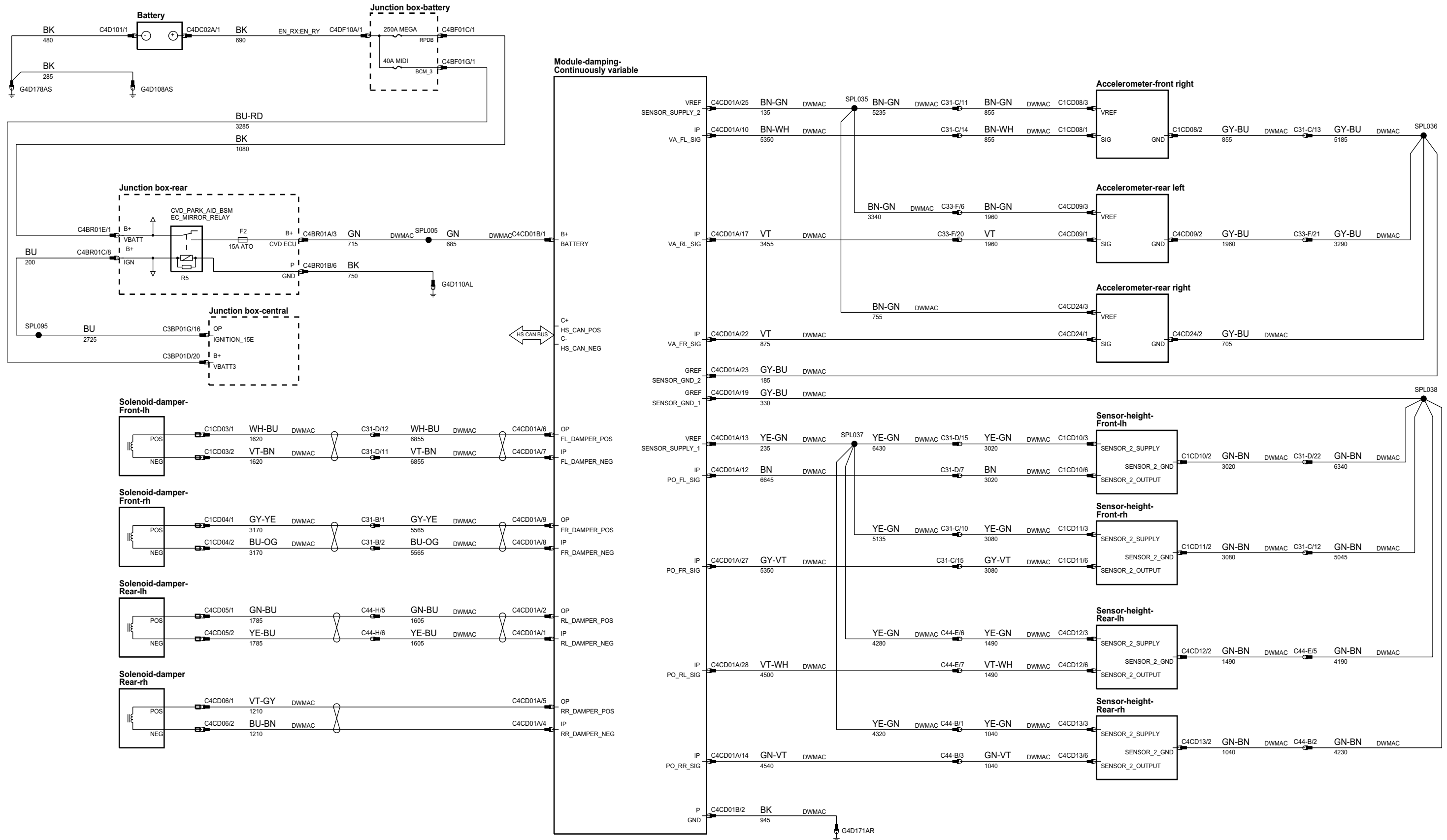
Connector	Description	Color	Cav	Location	Harness
G4D110AL	Ground point		1	Luggage compartment - RH side	CABIN LH
G4D110AL	Ground point		1	Luggage compartment - RH side	CABIN RH
G4D110AR	Ground point		1	Luggage compartment - RH side	CABIN LH
G4D110AR	Ground point		1	Luggage compartment - RH side	CABIN RH
G4D128AL	Ground point		1	Luggage compartment - RH side	CABIN LH
G4D128AL	Ground point		1	Luggage compartment - RH side	CABIN RH
G4D128AR	Ground point		1	Luggage compartment - RH side	CABIN LH
G4D128AR	Ground point		1	Luggage compartment - RH side	CABIN RH
G4D128BS	Ground point		1	Luggage compartment - RH side	CABIN LH
G4D128BS	Ground point		1	Luggage compartment - RH side	CABIN RH
G4D171AL	Ground point	Grey	2	Luggage compartment - RH side	CABIN LH
G4D171AL	Ground point		1	Luggage compartment - RH side	CABIN LH
G4D171AR	Ground point		1	Luggage compartment - RH side	CABIN RH
G4D171AR	Ground point		1	Luggage compartment - RH side	CABIN LH
G4D171BS	Ground point		1	Luggage compartment - RH side	CABIN RH
G4D171BS	Ground point		1	Luggage compartment - RH side	CABIN LH
G4D172AL	Ground point		1	Luggage compartment - LH side	CABIN RH
G4D172AR	Ground point		1	Luggage compartment - LH side	TELEMATICS
G4D172BS	Ground point		1	Luggage compartment - LH side	TELEMATICS
G4D178AS	Ground point		1	Luggage compartment - LH side	TELEMATICS
G4D197AS	Ground point		1	Adjacent to spare wheel - RH side	BATTERY MINUS
G4D197AS	Ground point		1	Beneath rear of vehicle - Center	CABIN LH
G4D197AS	Ground point		1	Beneath rear of vehicle - Center	CABIN RH
G9D149	Ground point		1	Beneath parcel shelf trim-LH side	ANTENNA LINK
GB002	TCM and Control Valve Body - DV6	Black	16	RH side of gearbox	TRANSMISSION AUTO-DIESEL
PI054	Capacitor - PV8	Waterblue	2	Rear RH side of engine	ENGINE PETROL AJ133
PI061	Solenoid-Camshaft profile switching-bank 1	Grey	2	Rear RH side of engine	ENGINE PETROL AJ133
PI063	Solenoid-Camshaft profile switching-bank 2	Grey	2	Rear LH side of engine	ENGINE PETROL AJ133
PI080	Ground point		1	Front RH side of engine	ENGINE PETROL AJ133
PI082	Ground point		1	Front LH side of engine	ENGINE PETROL AJ133
PI099	Solenoid-Starter-motor		1	Lower rear of engine - RH side	ENGINE PETROL AJ133
SA001	Clock spring		1	Steering Wheel	STEERING WHEEL
SA002	Module-Air bag--Driver		1	Behind driver air bag module	STEERING WHEEL
SA003	Module-Air bag--Driver		1	Behind driver air bag module	STEERING WHEEL
SA004	Clock spring		1	Steering Wheel	STEERING WHEEL
SW001	Slip rings-Steering wheel		1	In center of steering wheel	STEERING WHEEL
SW002	Steering wheel inline link		1	In center of steering wheel	STEERING WHEEL
SW003	Switch pack-Steering wheel Speed control		1	In center of steering wheel	STEERING WHEEL
SW004	Switch pack-Steering wheel Speed control		1	Steering Wheel	STEERING WHEEL
SW005	Switch pack-Steering wheel Audio-telephone		1	Steering Wheel	STEERING WHEEL
SW006	Slip rings-Steering wheel		1	In center of steering wheel	STEERING WHEEL

Connector	Description	Color	Cav	Location	Harness
SW007	Heater-Steering wheel		1	In center of steering wheel	STEERING WHEEL
SW008	Switch-Horn		1	Behind driver air bag module	STEERING WHEEL
SW009	Switch pack-Steering wheel Audio-telephone		1	In center of steering wheel	STEERING WHEEL
SW010	Upshift paddle switch	Black	3	Steering Wheel	STEERING WHEEL
SW011	Downshift paddle switch	Black	3	Steering Wheel	STEERING WHEEL
SW012	Switch-Horn		1	Behind driver air bag module	STEERING WHEEL
SW013	Switch-Horn		1	Behind driver air bag module	STEERING WHEEL
SW014	Switch-Horn		1	Behind driver air bag module	STEERING WHEEL
SW015	Module-Heated steering wheel		1	In center of steering wheel	STEERING WHEEL
SW017	Steering wheel inline link	White	2	Behind driver air bag module	STEERING WHEEL
VL002	Sensor-Knock (KS)	Black	2	Top of engine - LH side	KNOCK SENSORS PETROL
VL004	Sensor-Knock (KS)	Black	2	Top of engine - LH side	KNOCK SENSORS PETROL

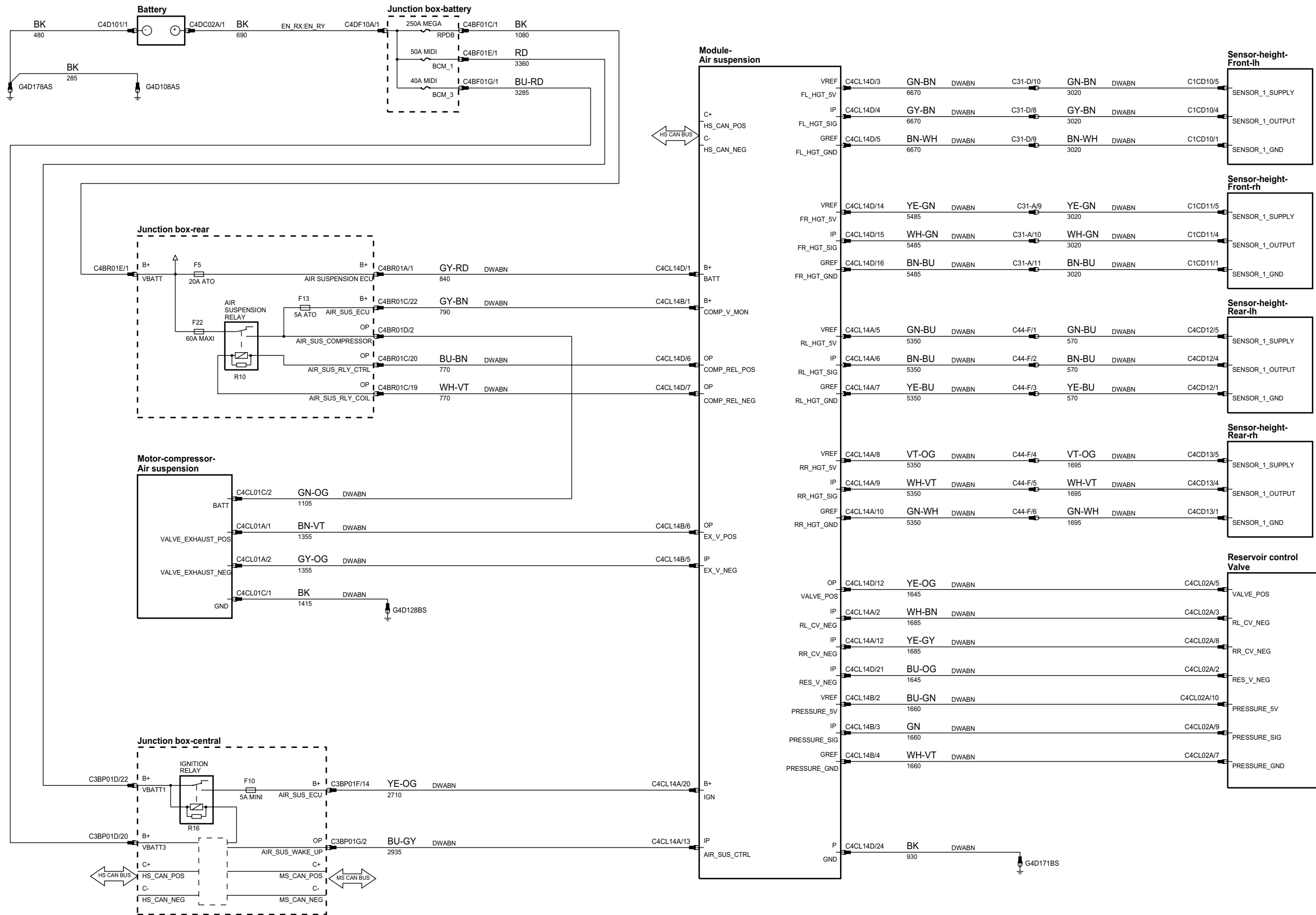
phaw93-70267-a-a6



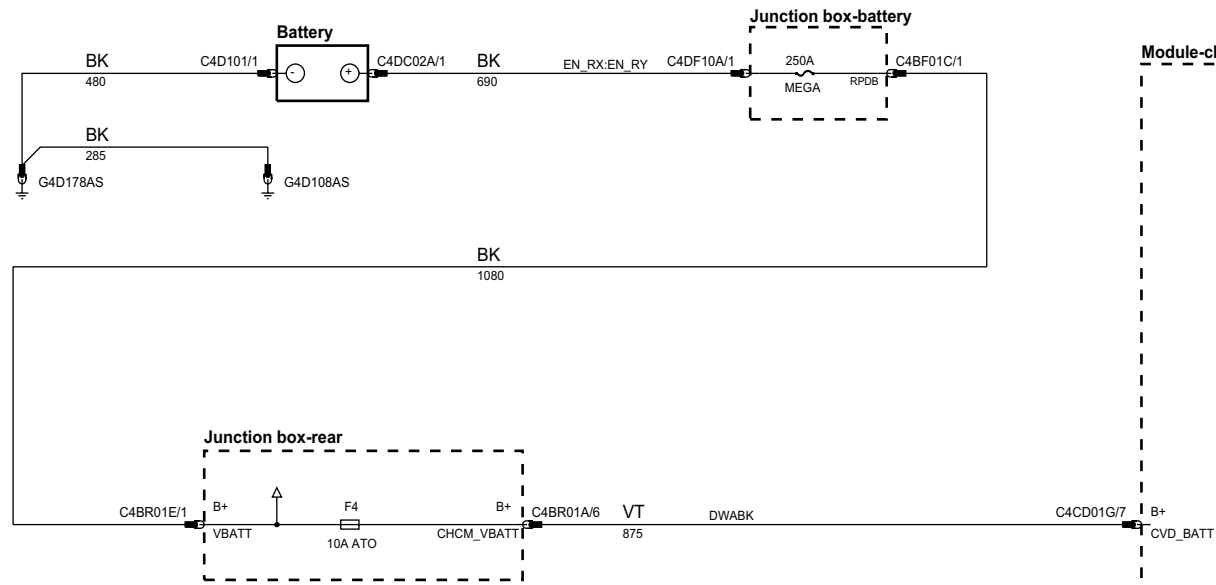
phaw93-70180-a-a6



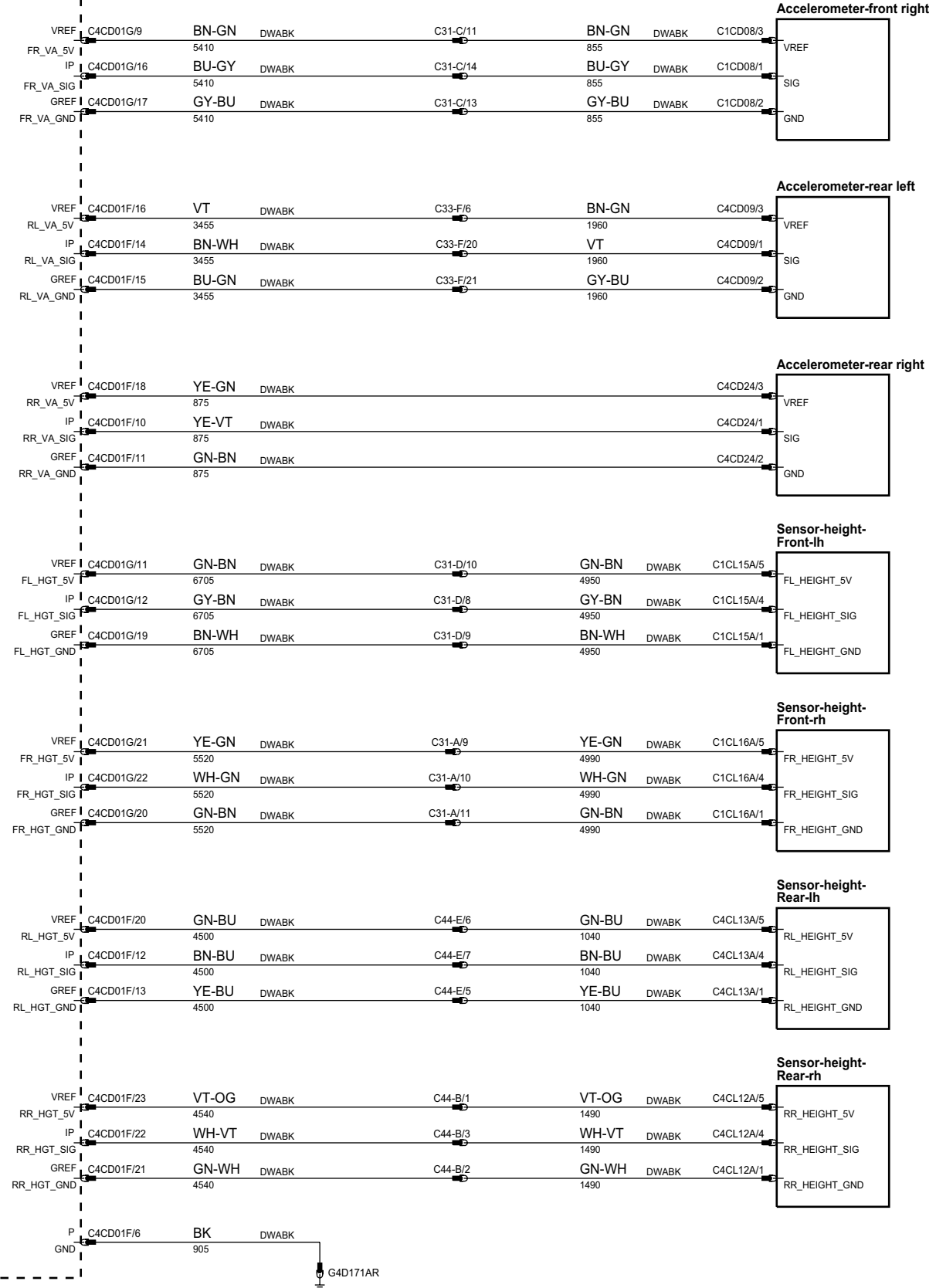
phaw93-70181-a-a6



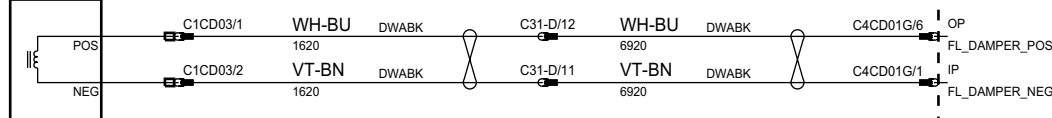
phaw93-70181-b-a6



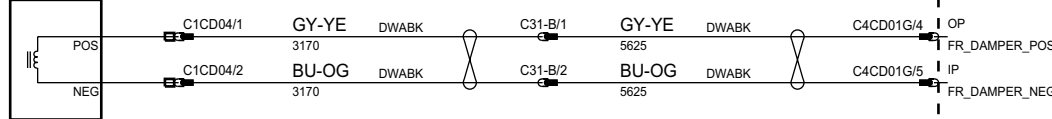
Module-chassis control



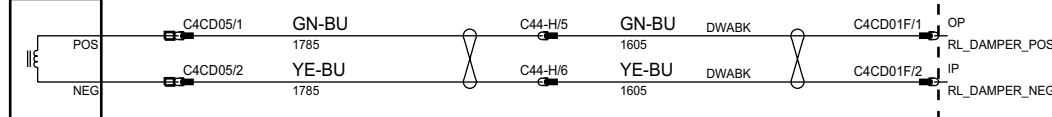
Solenoid-damper-Front-lh



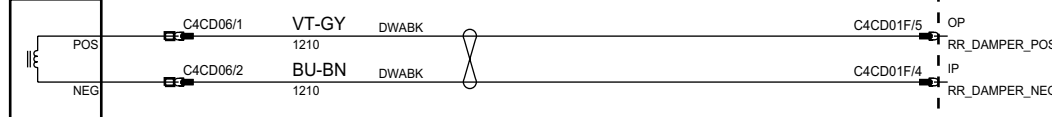
Solenoid-damper-Front-rh



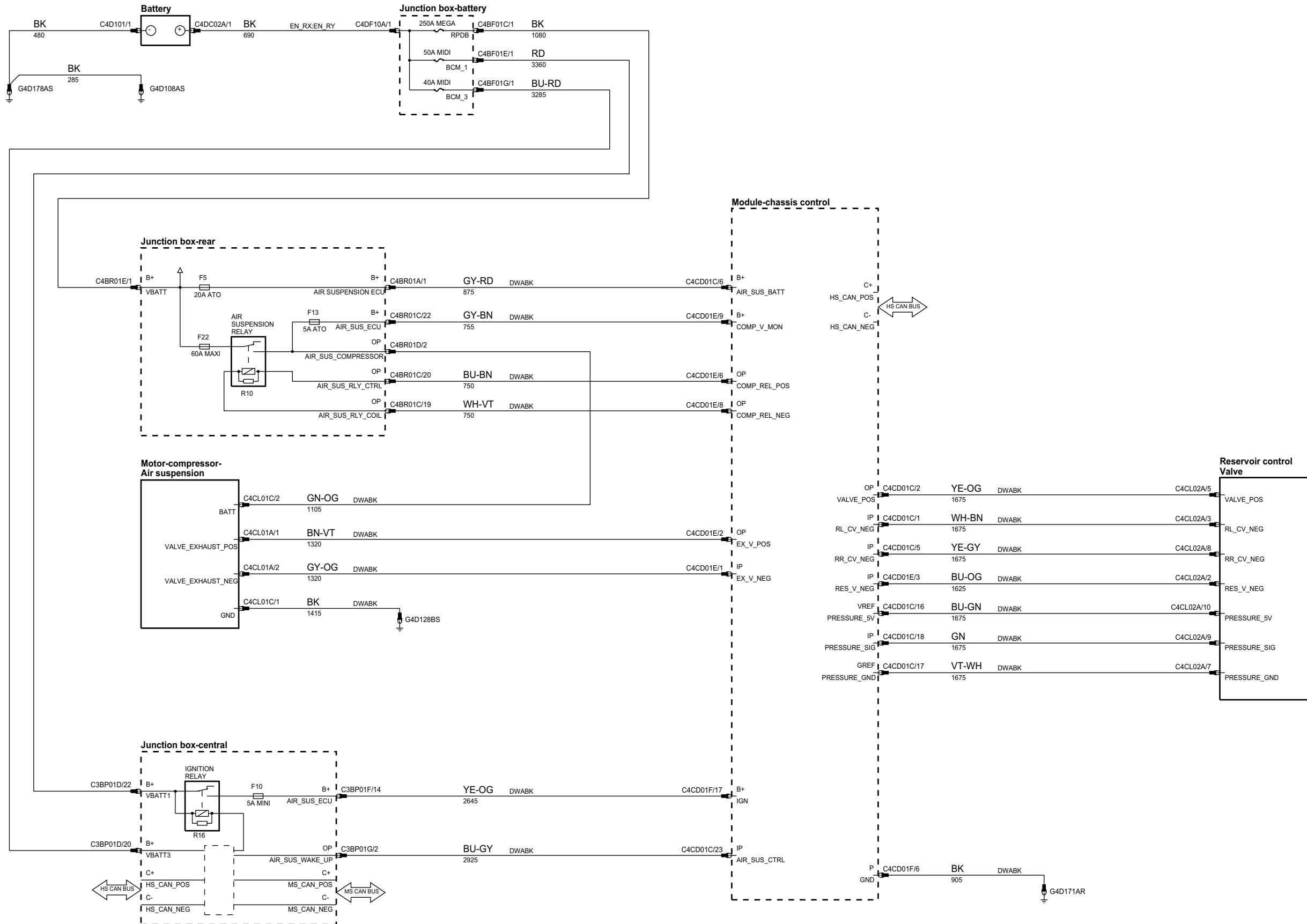
Solenoid-damper-Rear-lh



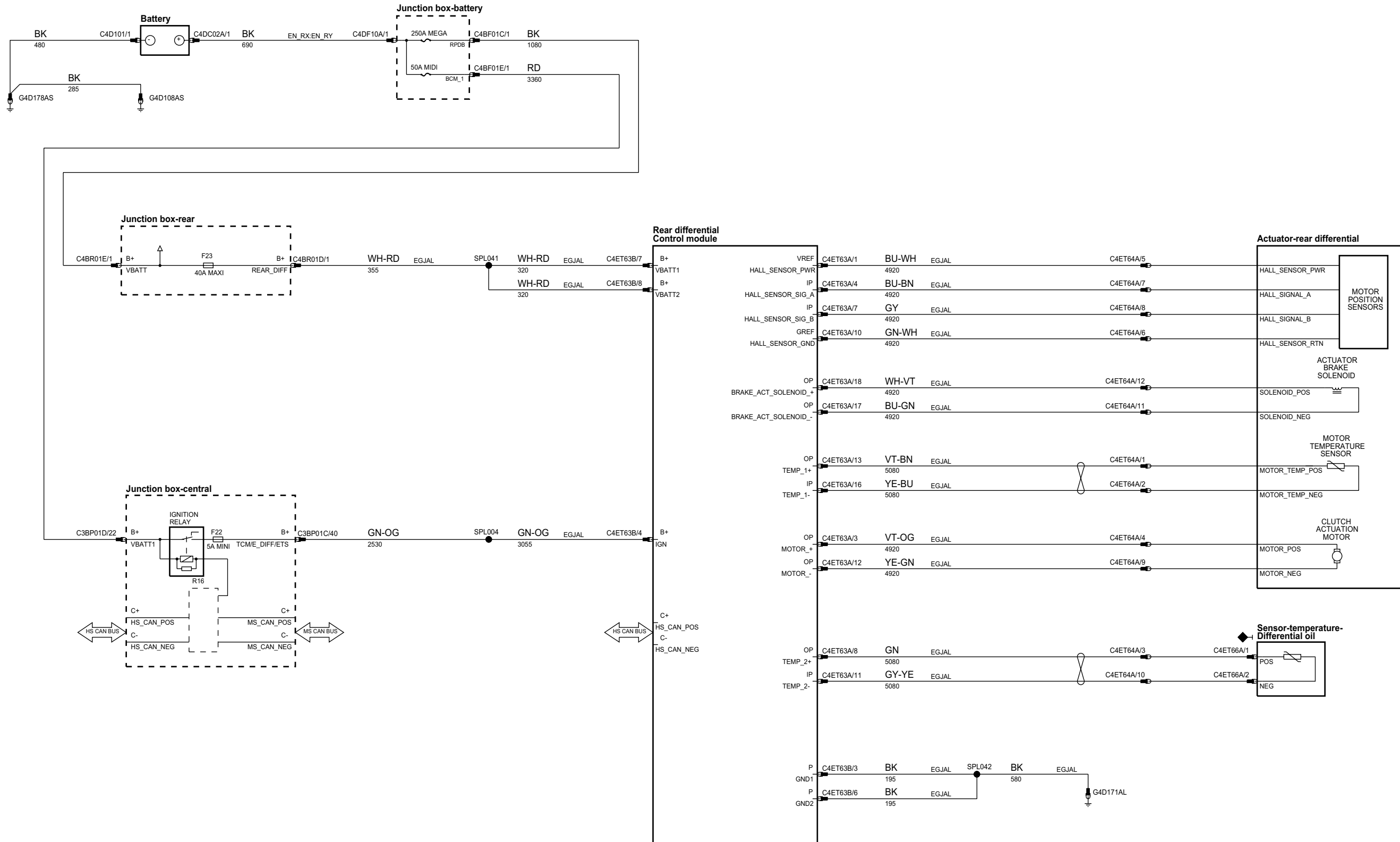
Solenoid-damper-Rear-rh



phaw93-70181-c-a6

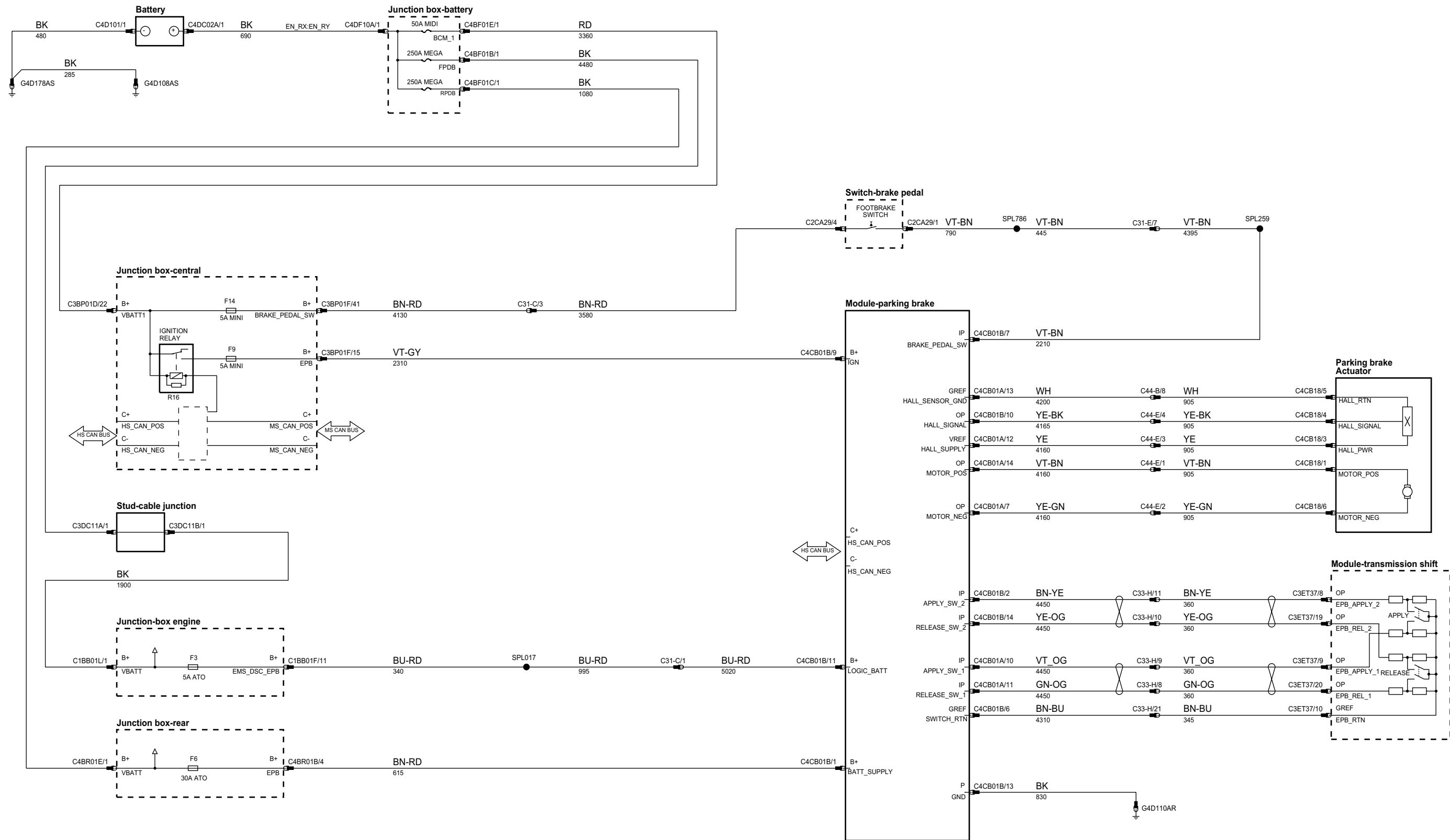


phaw93-70046-a-a6

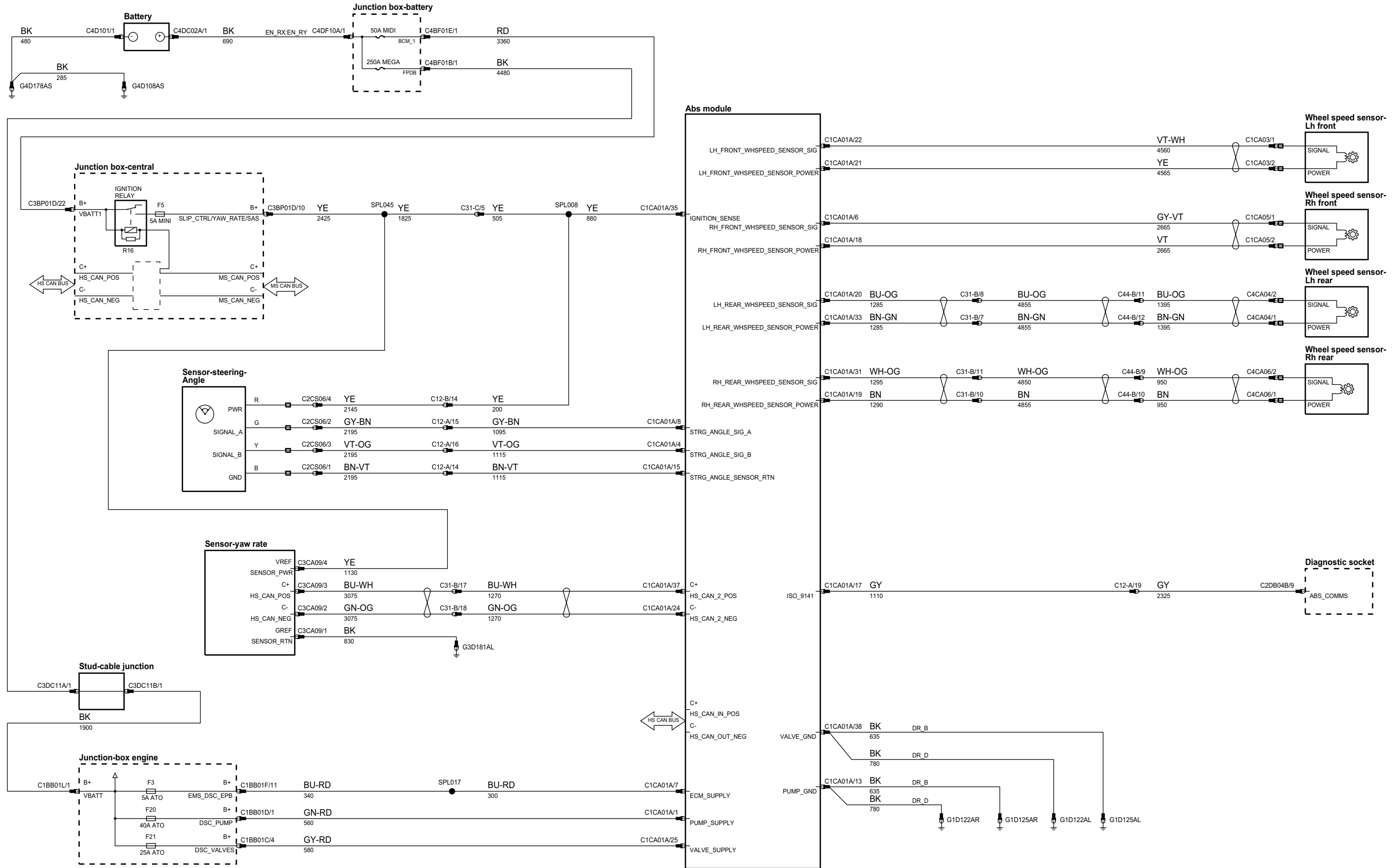


206-05 - PARKING BRAKE AND ACTUATION

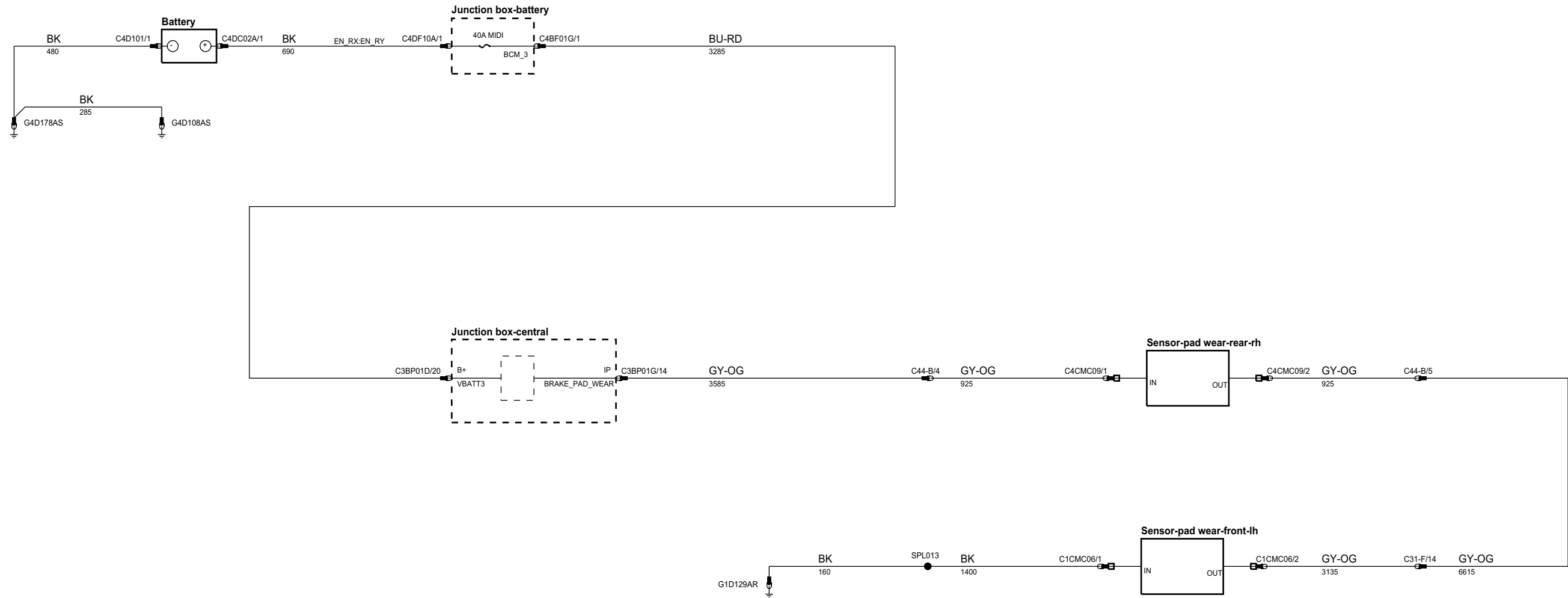
phaw93-70167-a-a6



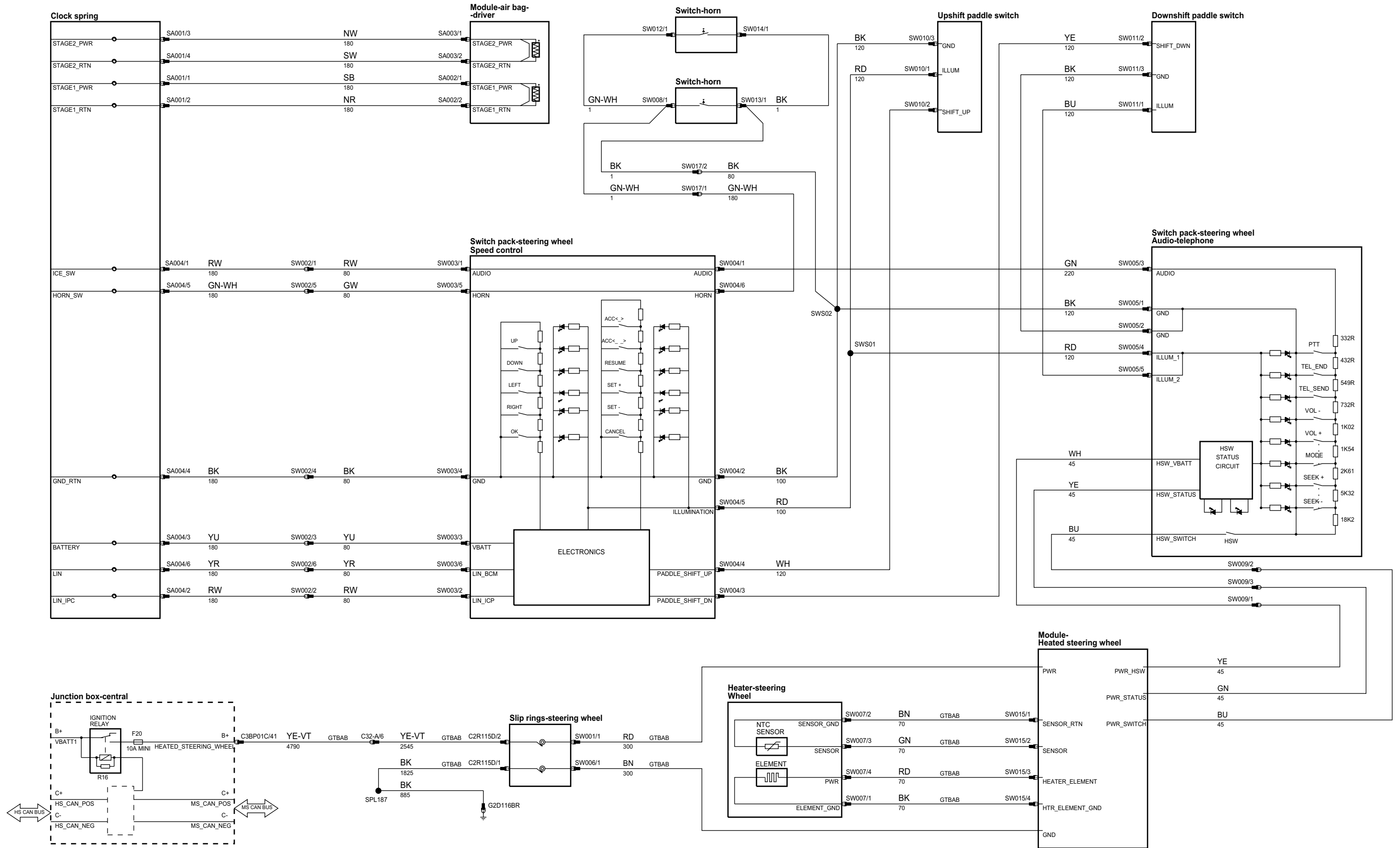
phaw93-70165-a-a6



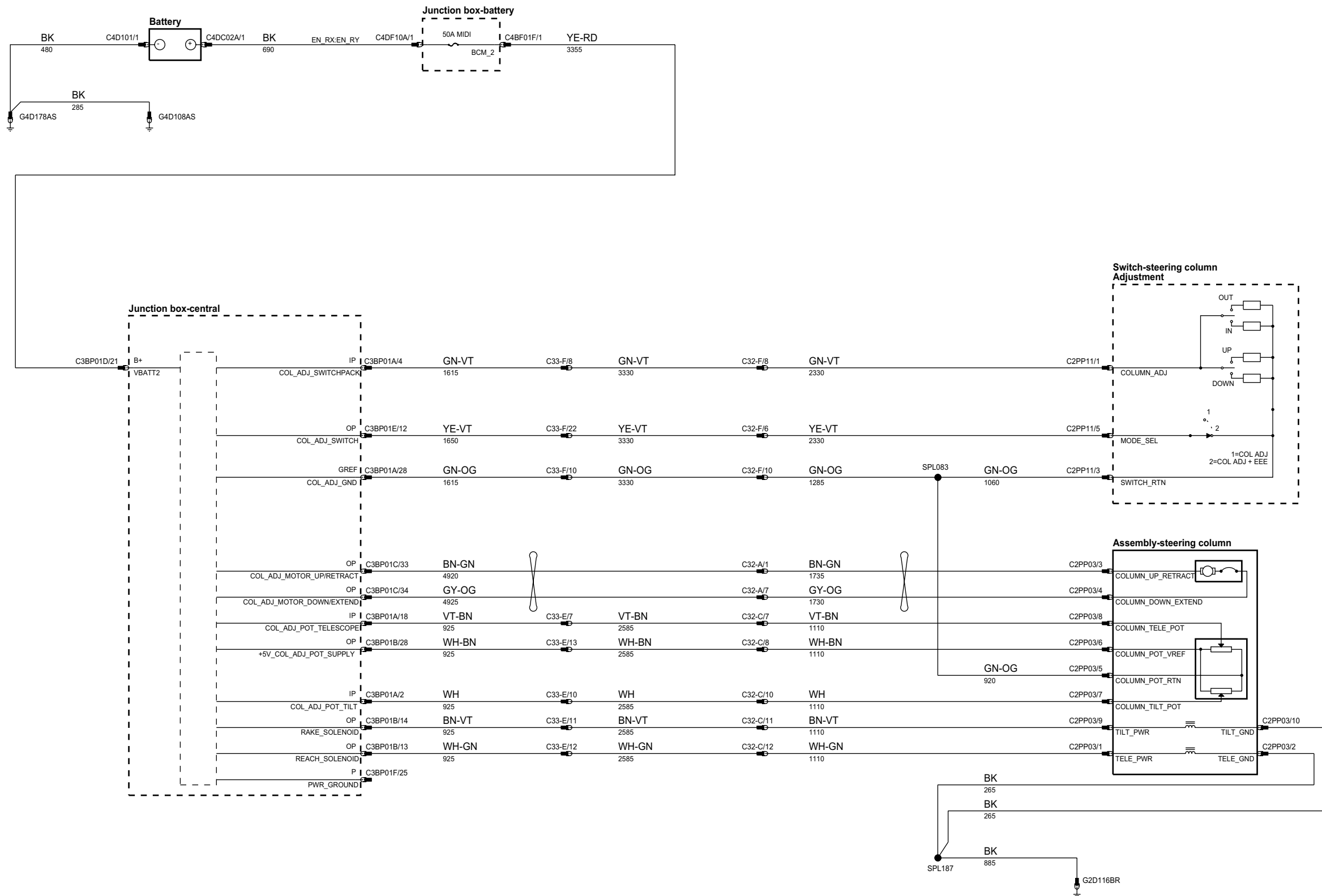
phaw93-70165-b-a6



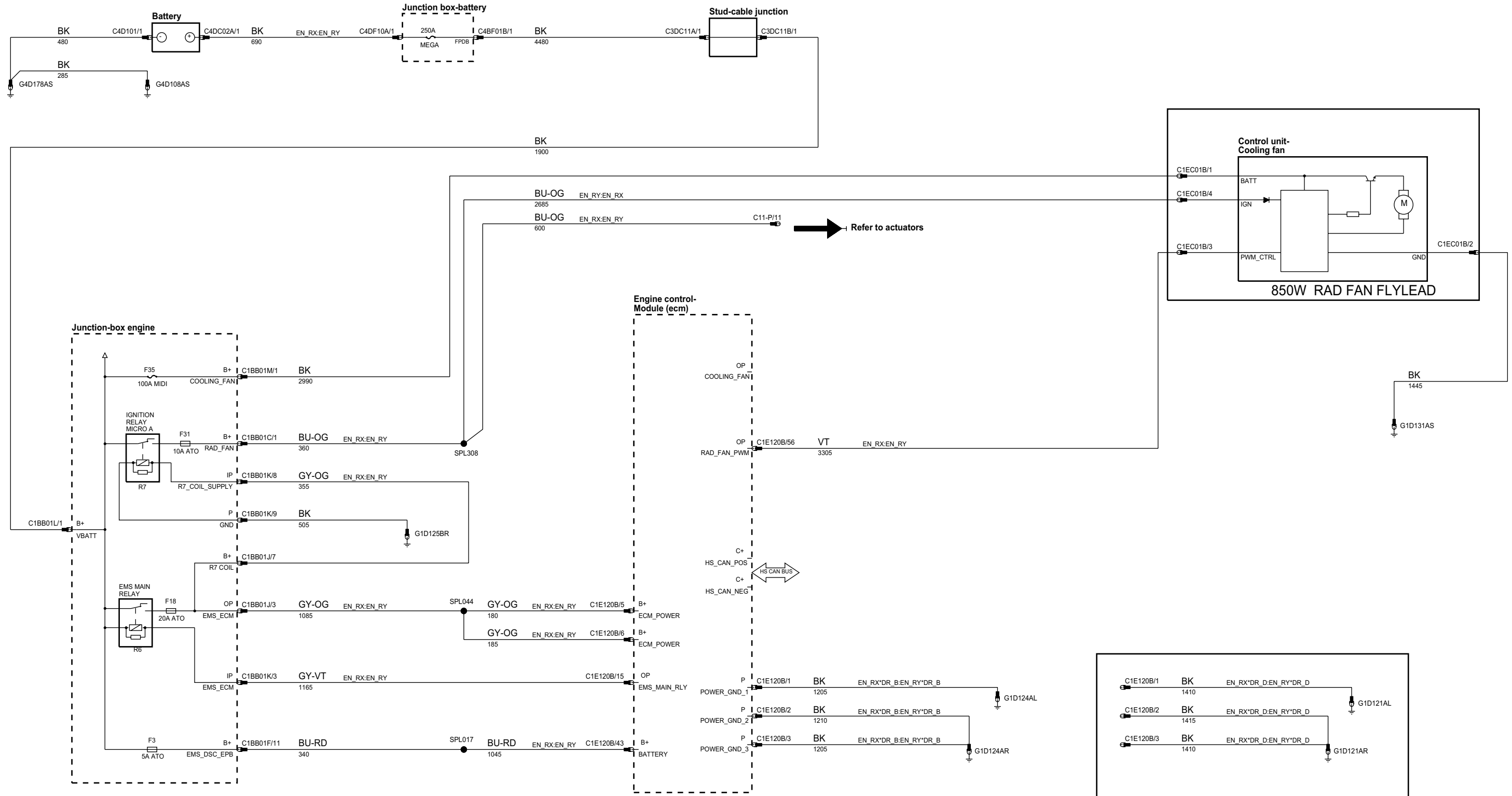
phaw93-70170-a-a6



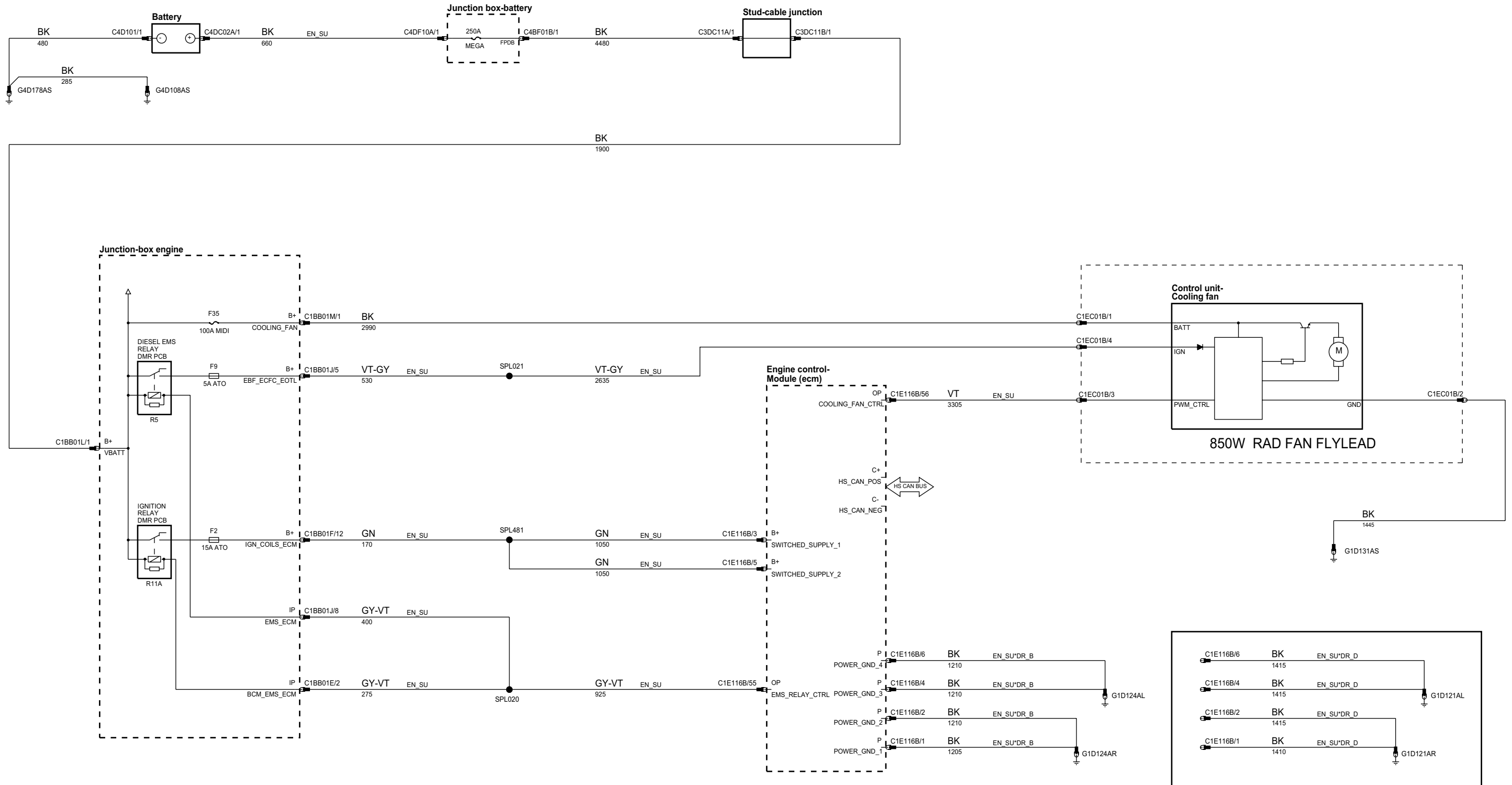
phaw93-70360-a-a6



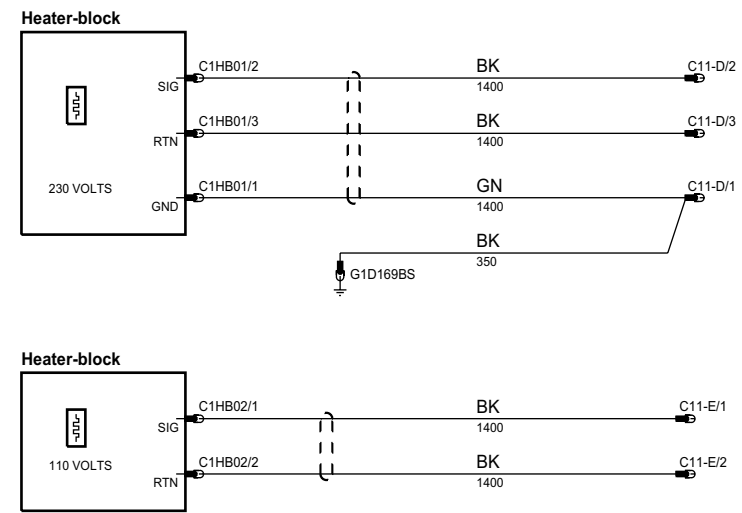
phaw93-70033-a-a6



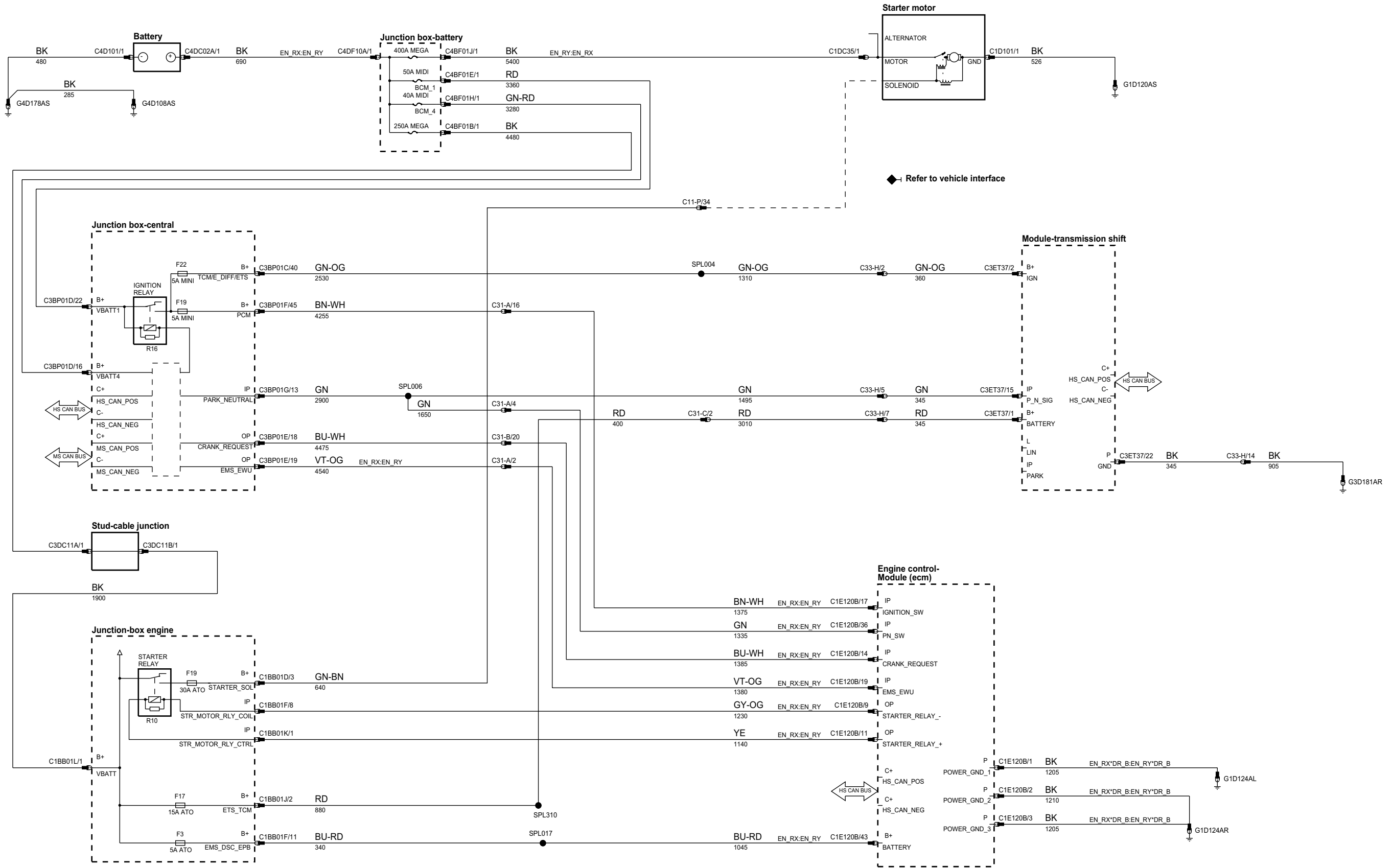
phaw93-70033-d-a6



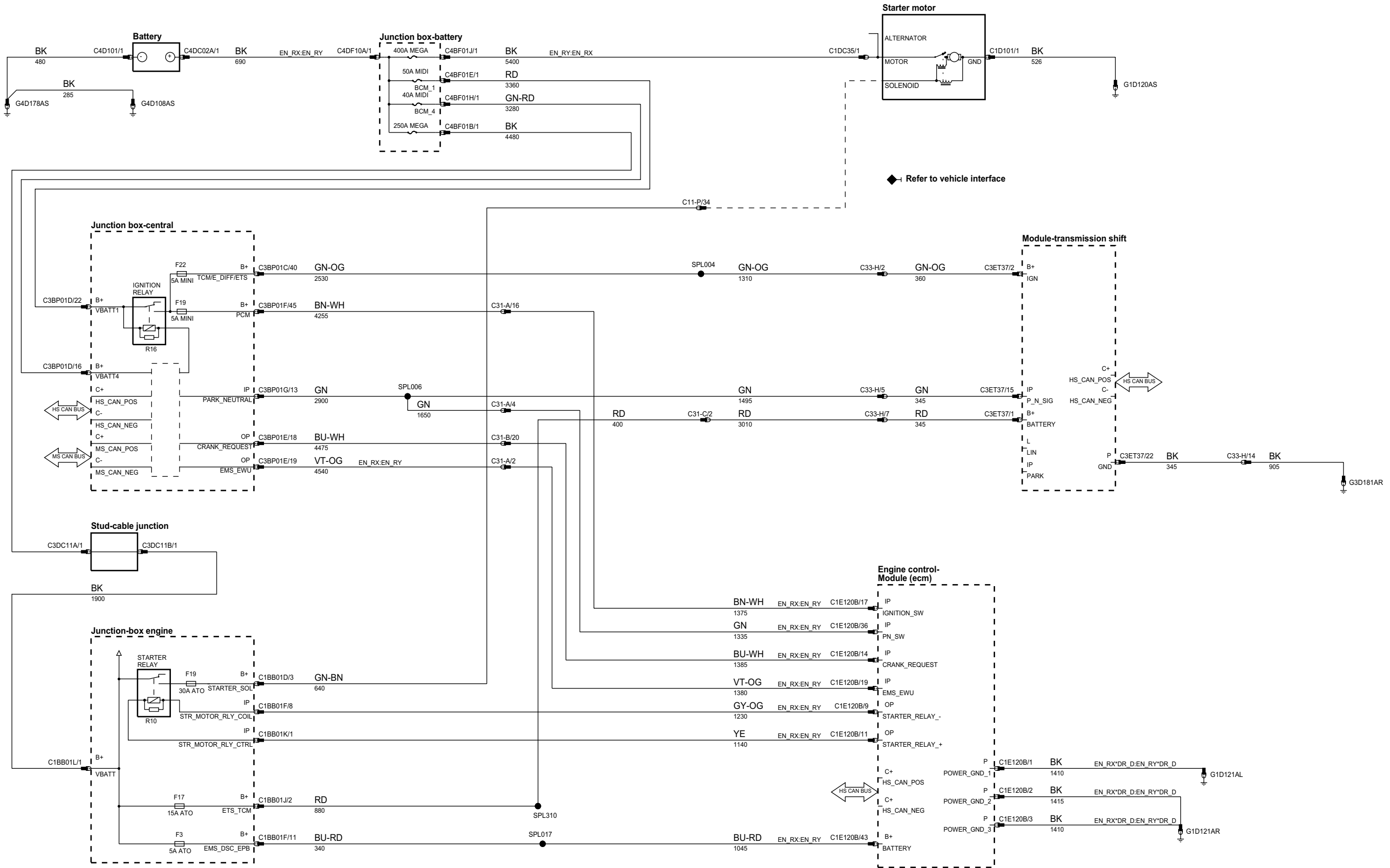
phaw93-70365-b-a6



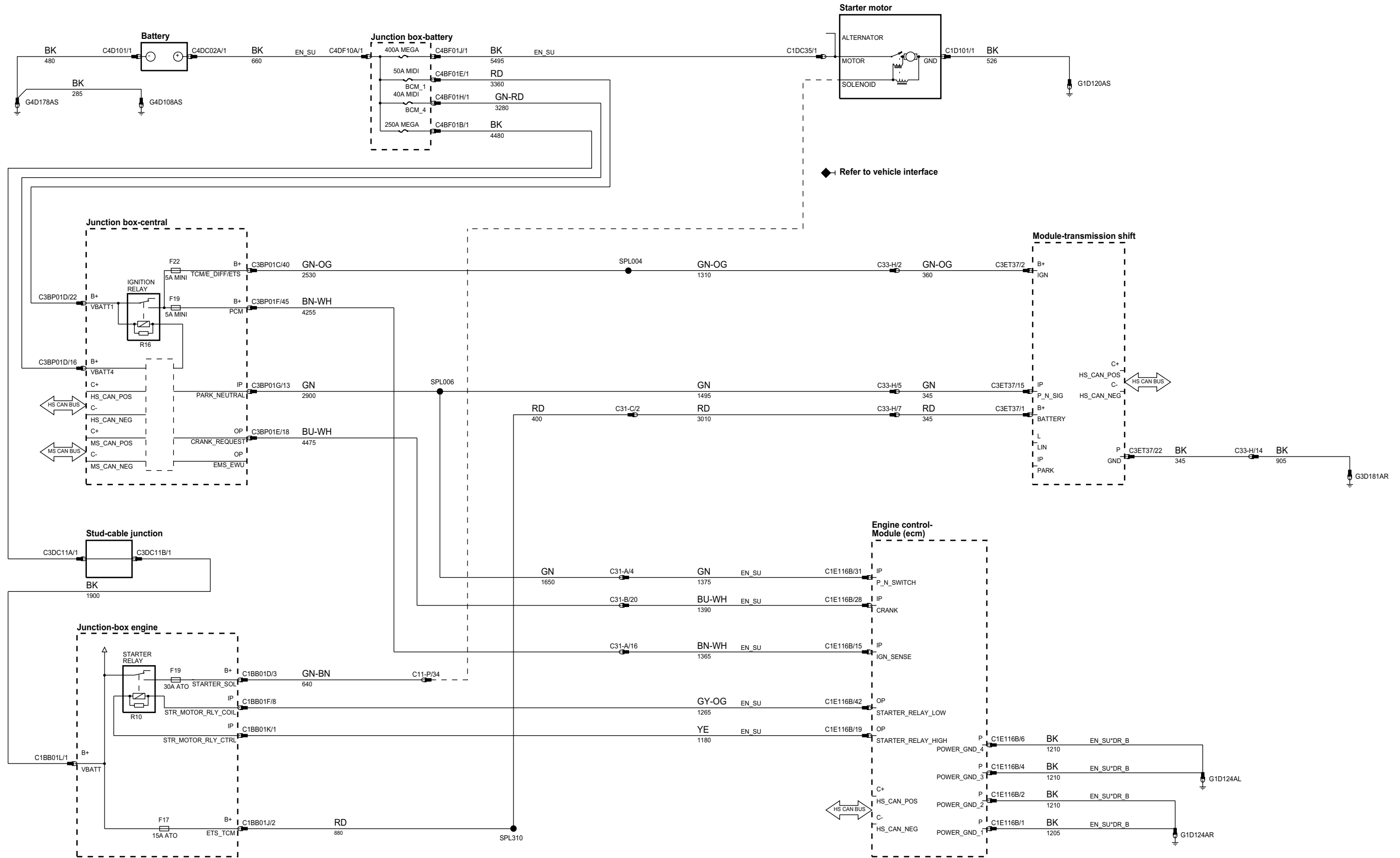
phaw93-70021-a-a6



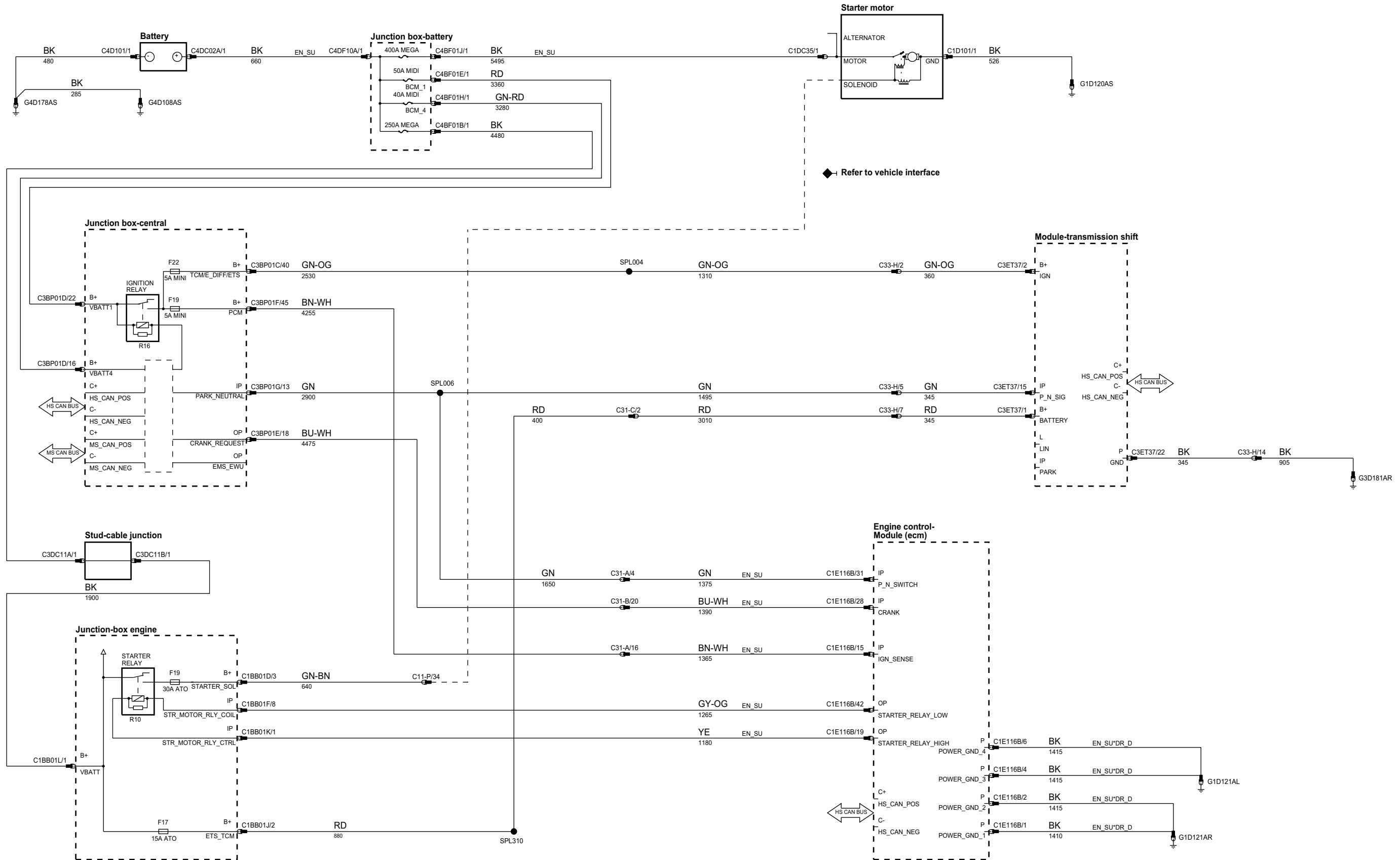
phaw93-70021-e-a6



phaw93-70021-d-a6

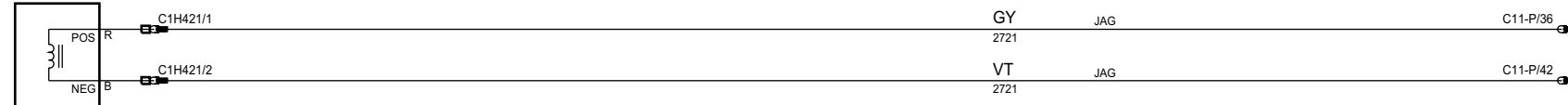


phaw93-70021-d2-a6



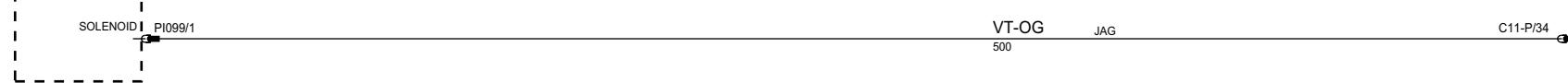
pha133-70031-a-a5

**Air conditioning (a/c)
Compressor solenoid**



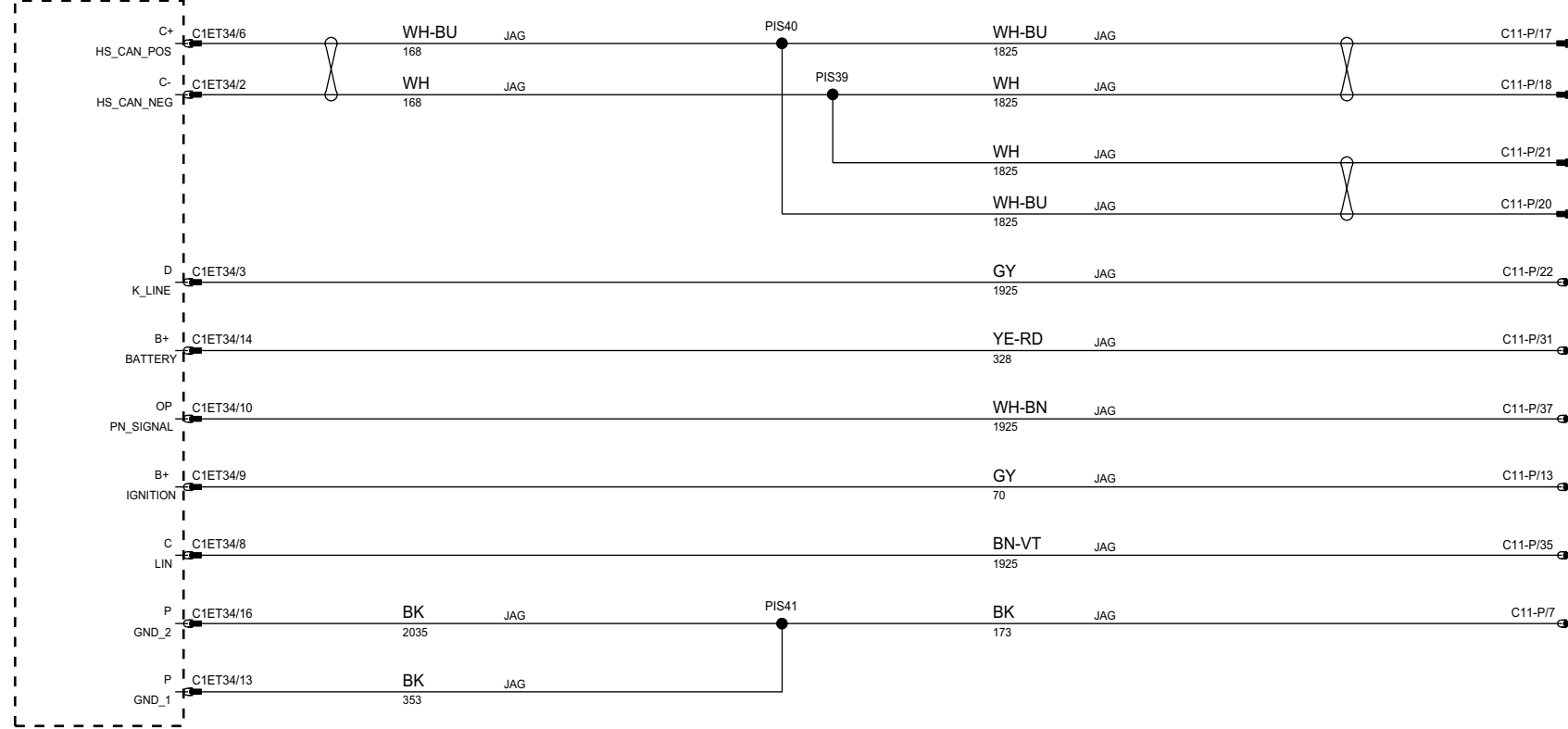
← Refer to climate control

Starter motor



← Refer to engine junction box

**Transmission control
Module**

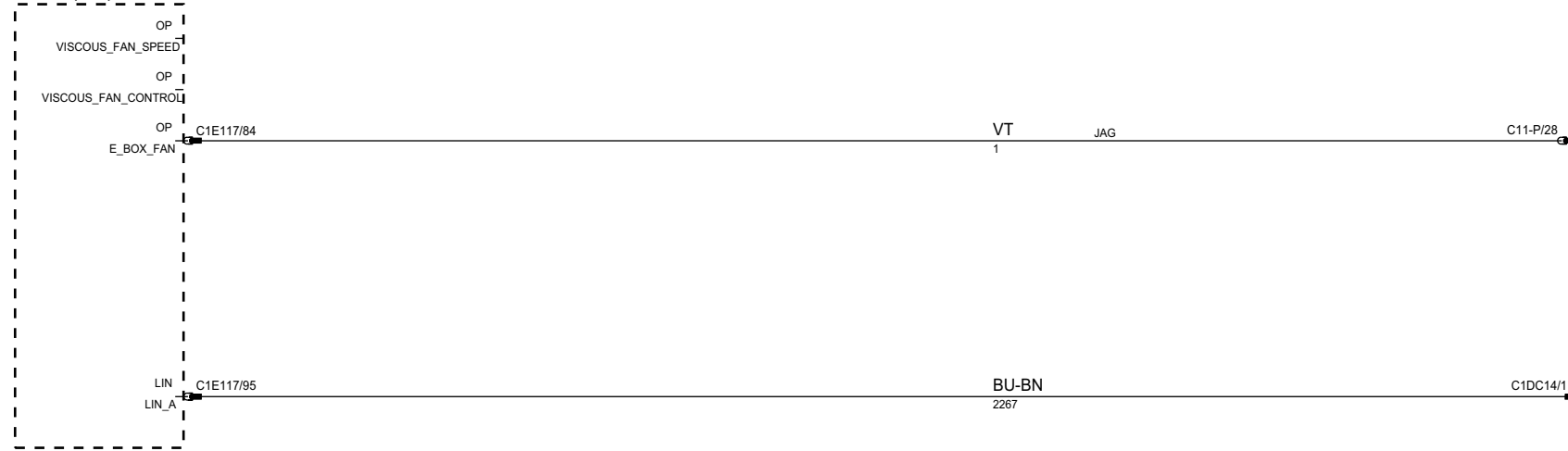


→ Refer to can bus - high speed

← Refer to engine junction box

→ Refer to transmission

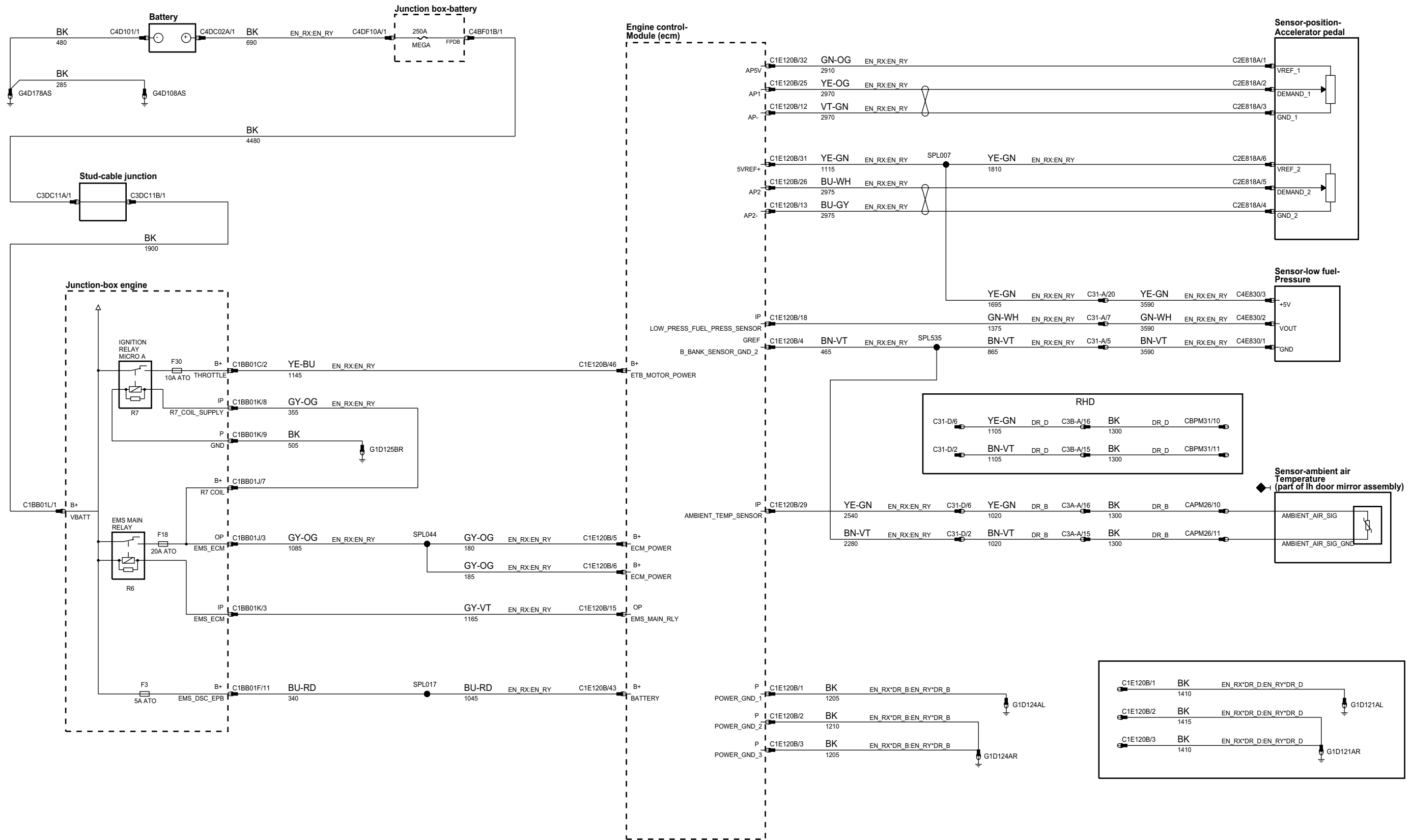
**Engine control-
Module (ecm)**



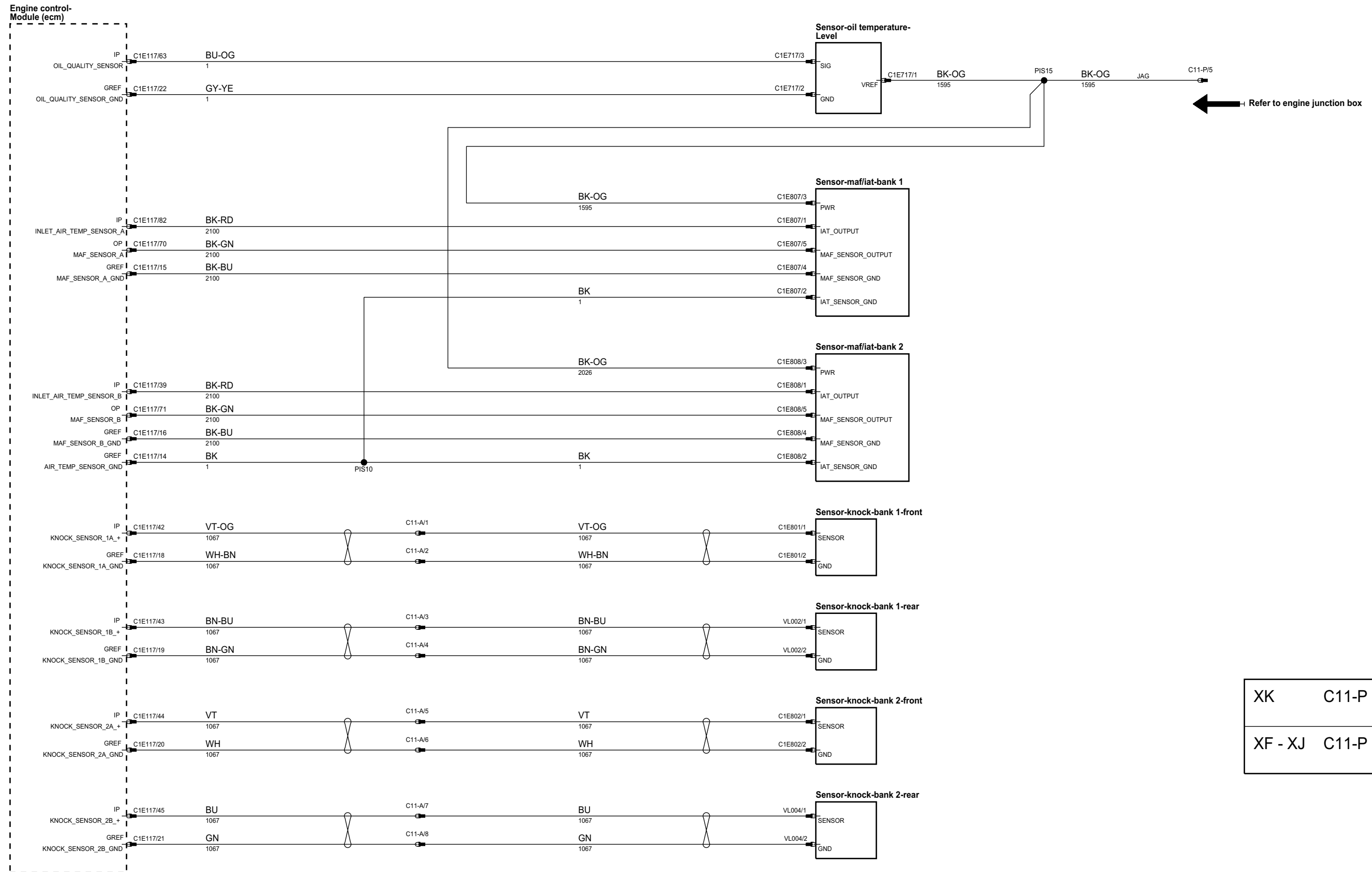
← Refer to engine junction box

XK	C11-P = PI041
XF - XJ	C11-P = C11-P

phaw93-70034-a-a6

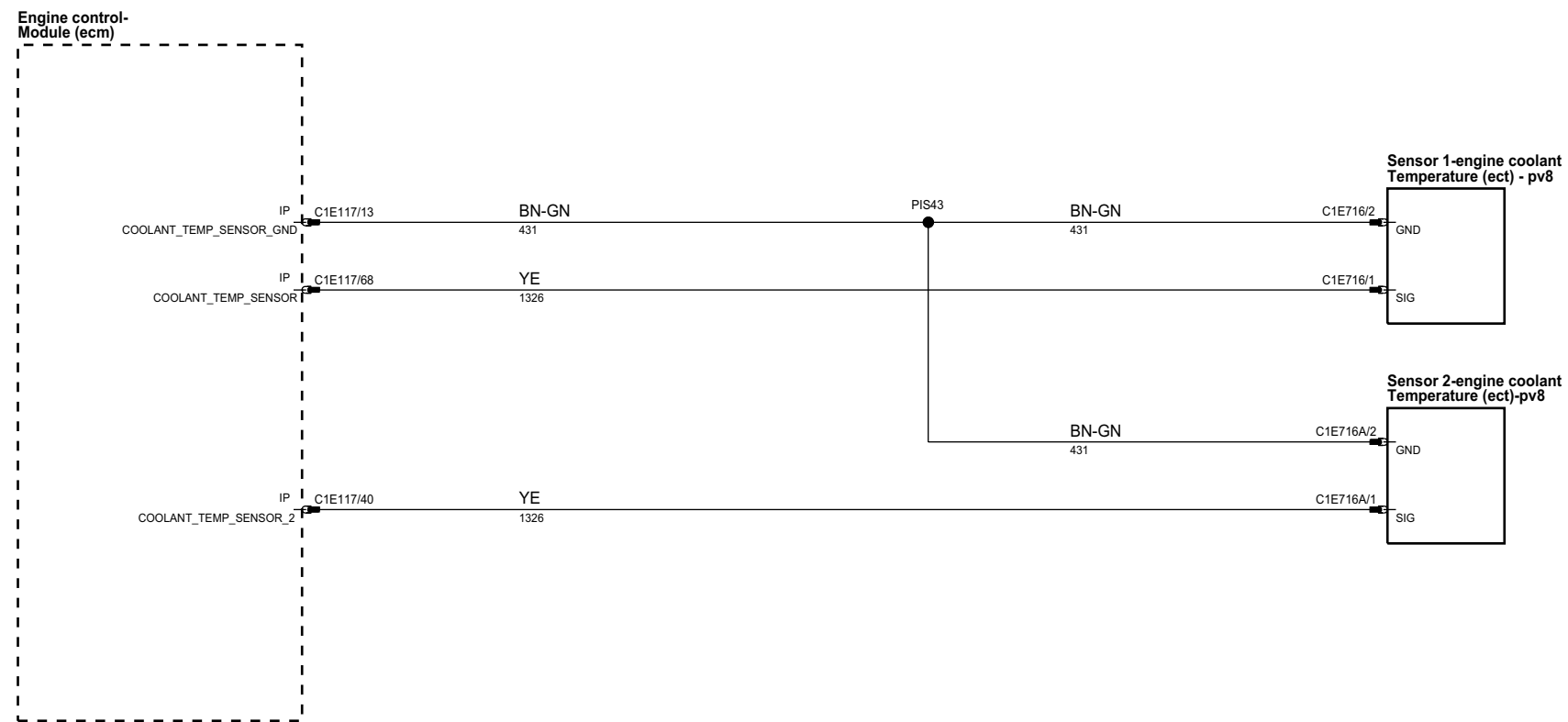


pha133-70035-j-a5

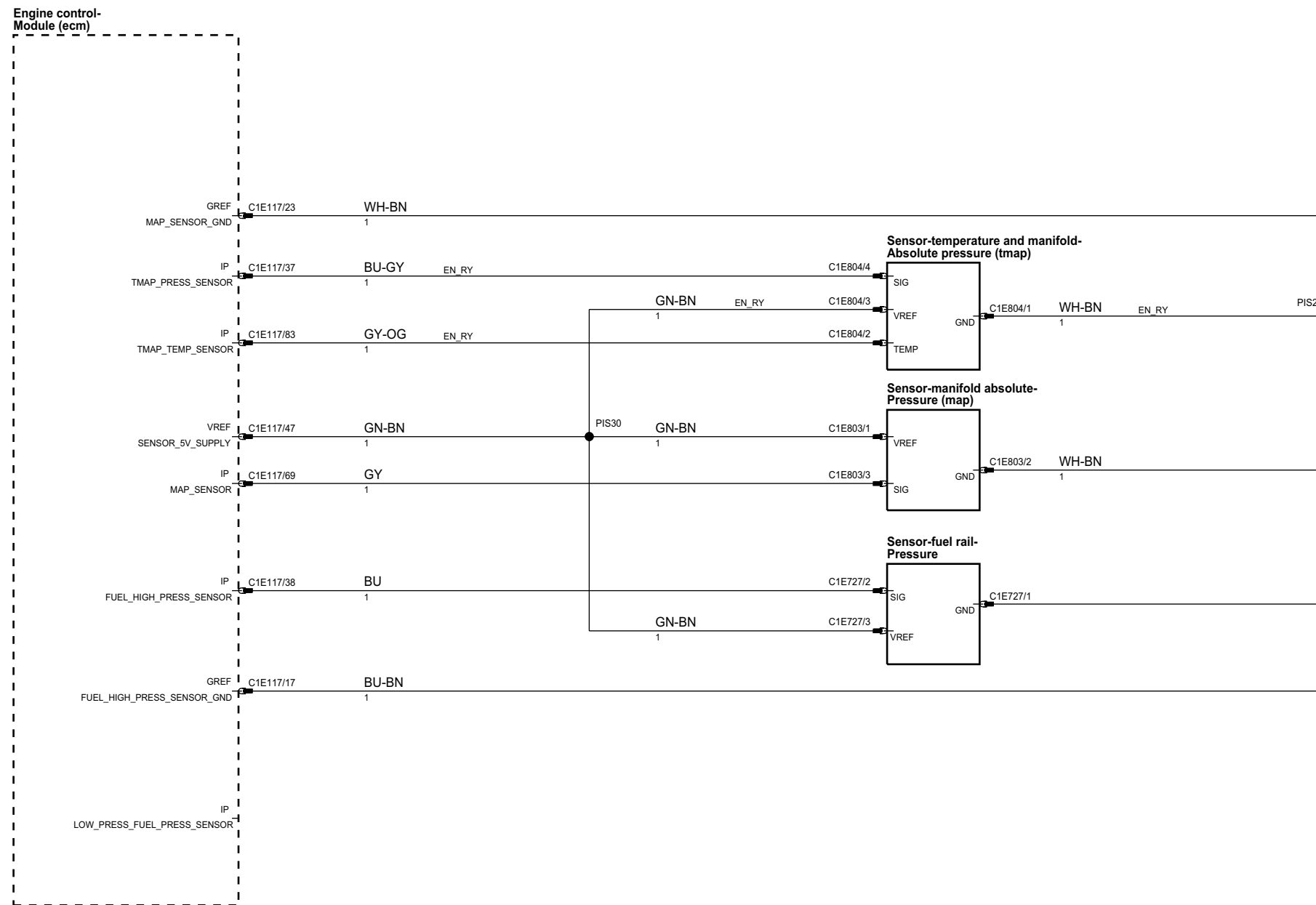


XK	C11-P = PI041
XF - XJ	C11-P = C11-P

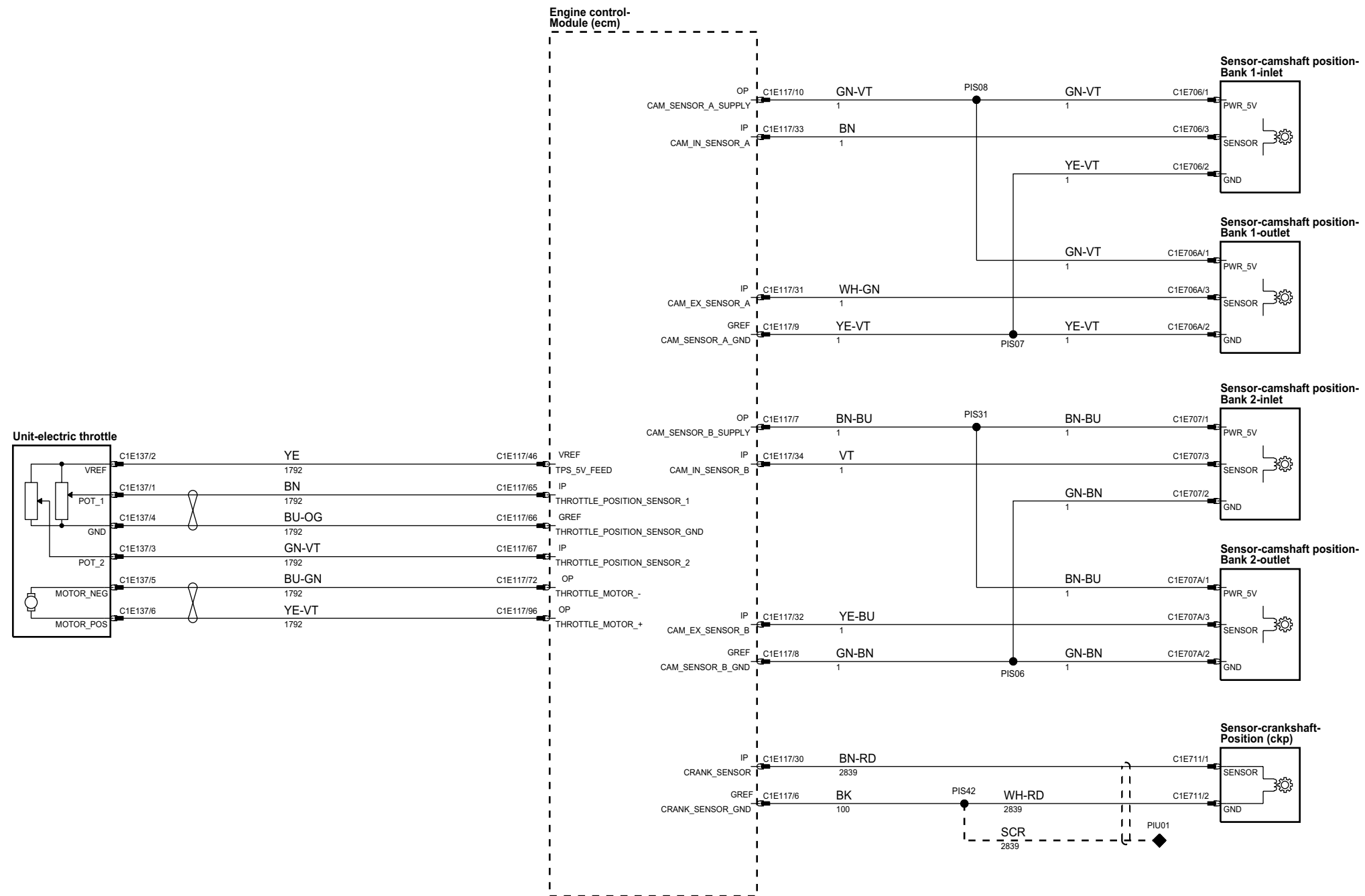
phj133-70035-b-a5



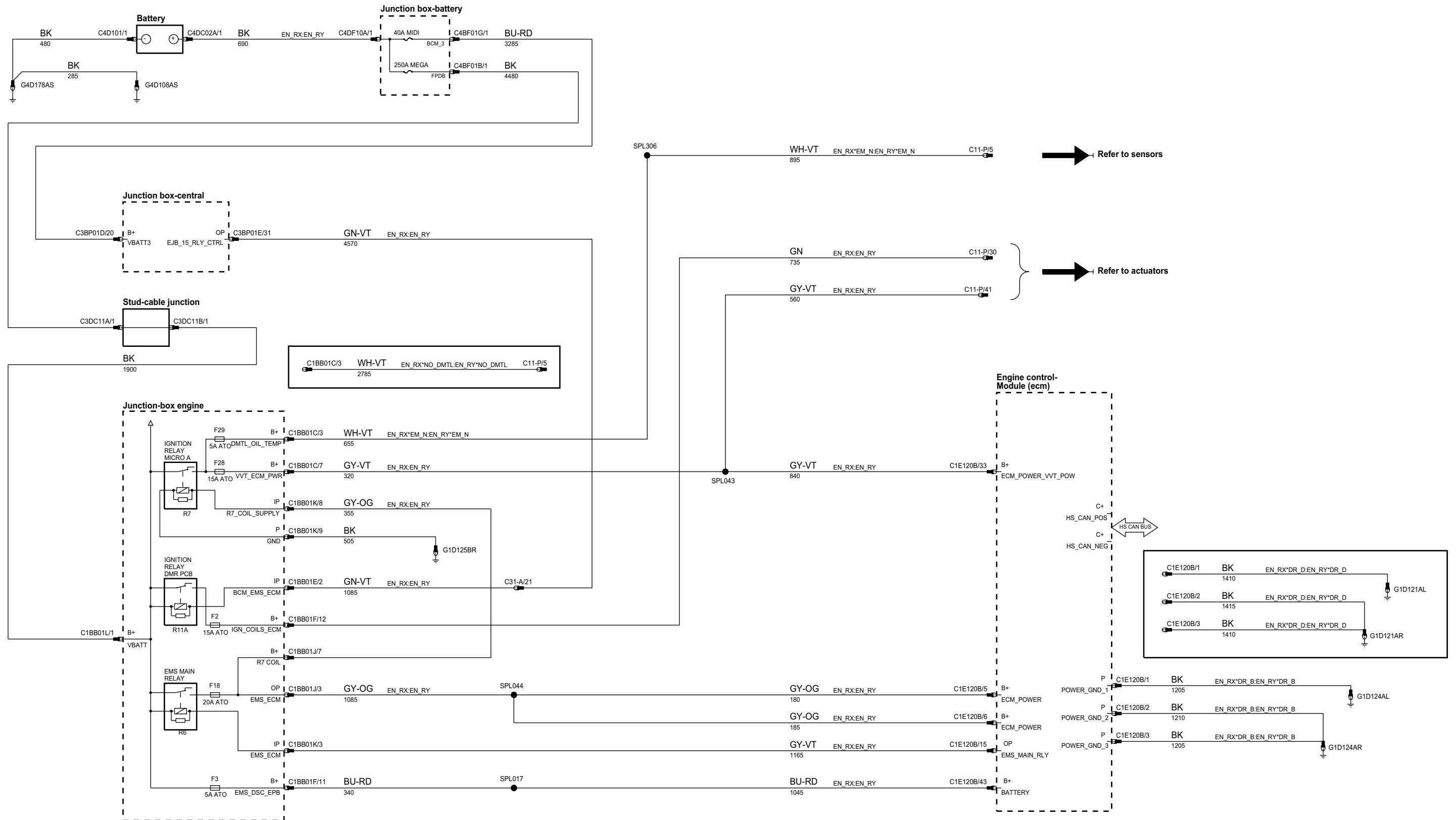
pha133-70035-ca5



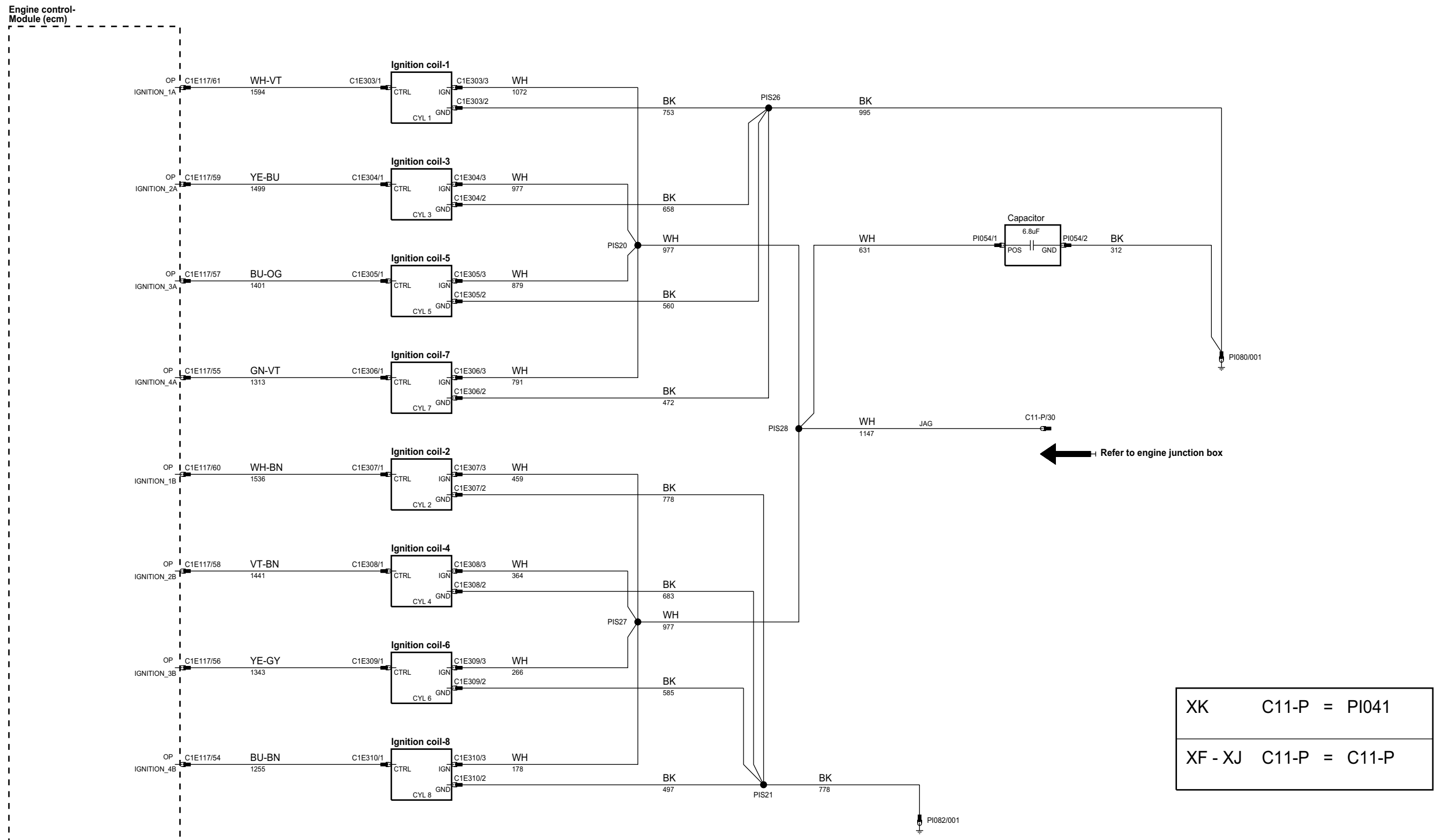
phaj133-70035-d-a5



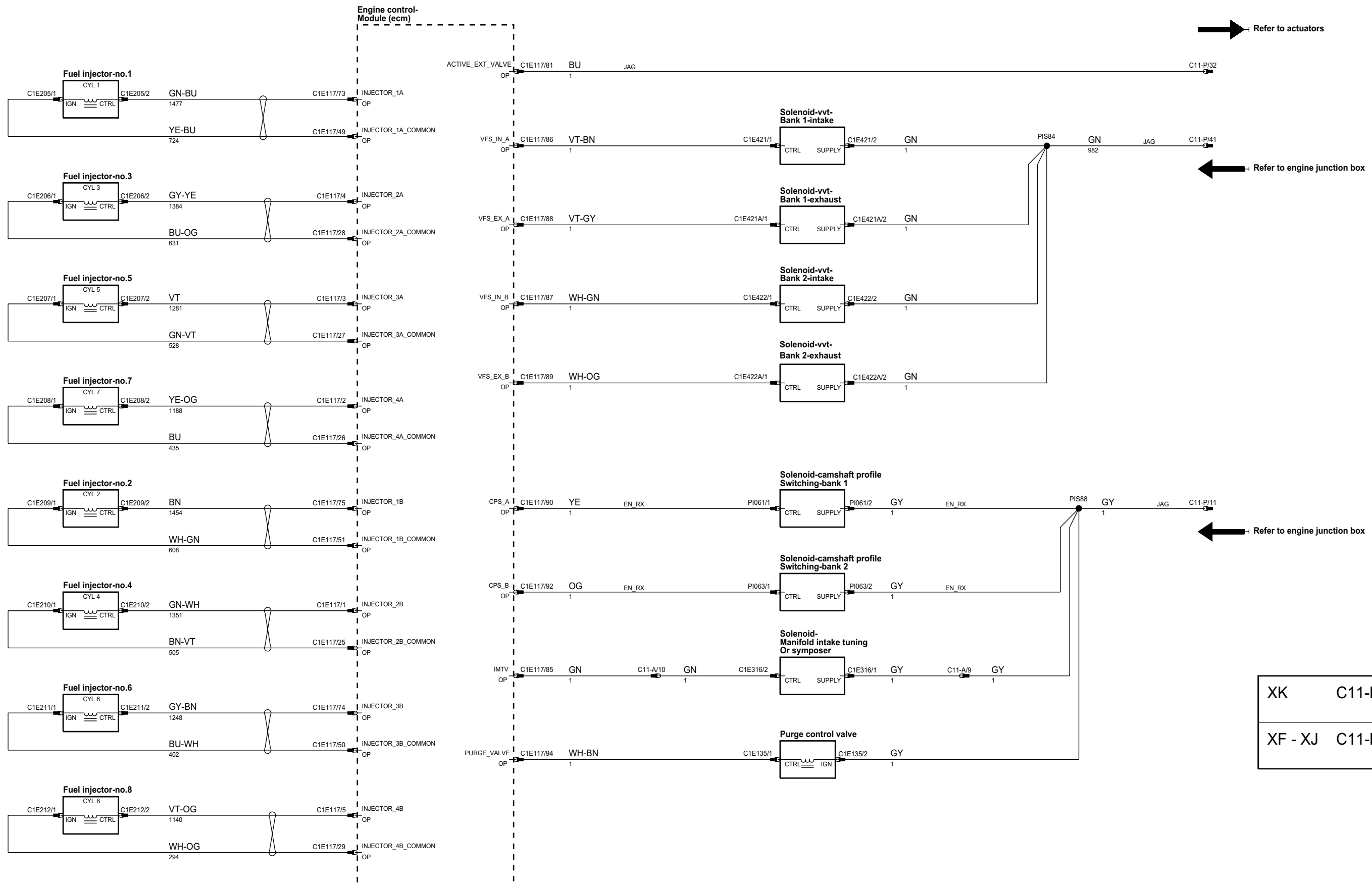
phaw93-70038-a-a6



phj133-70035-4-a5

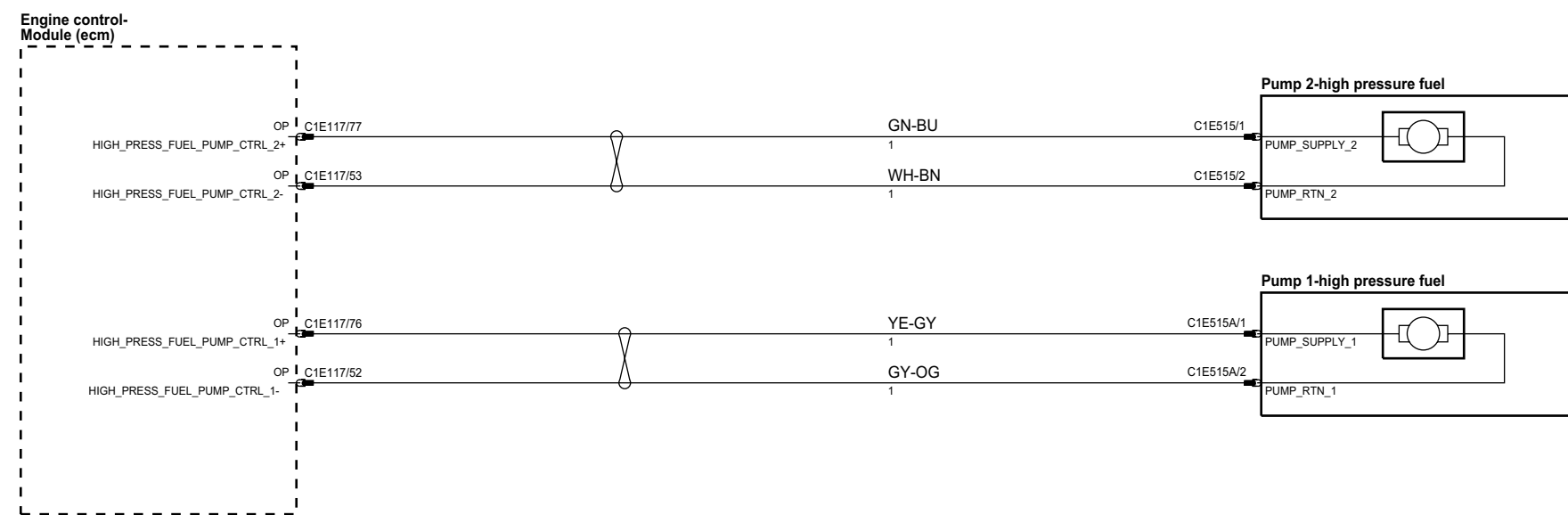


pha133-70035-g-a5

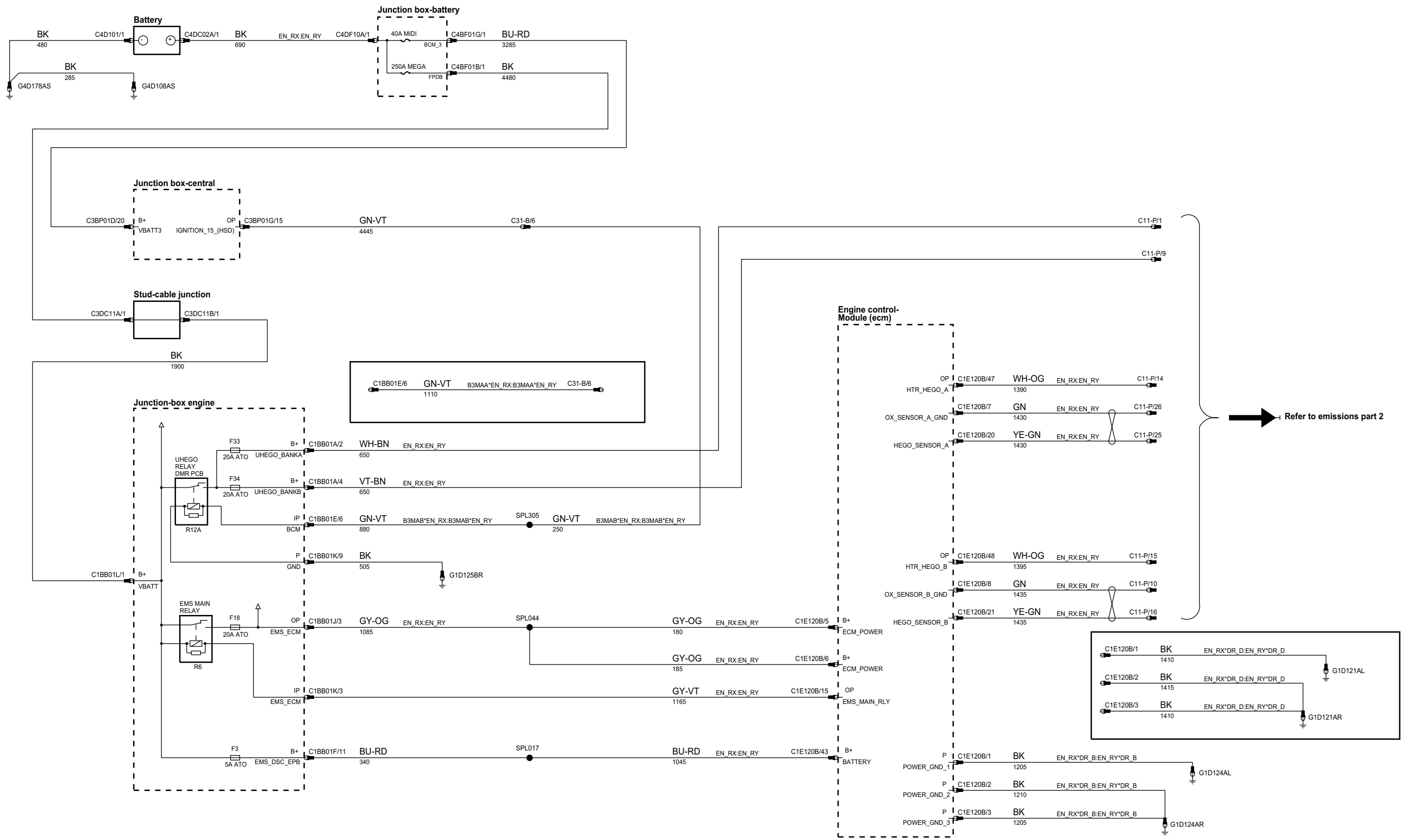


XK	C11-P = PI041
XF - XJ	C11-P = C11-P

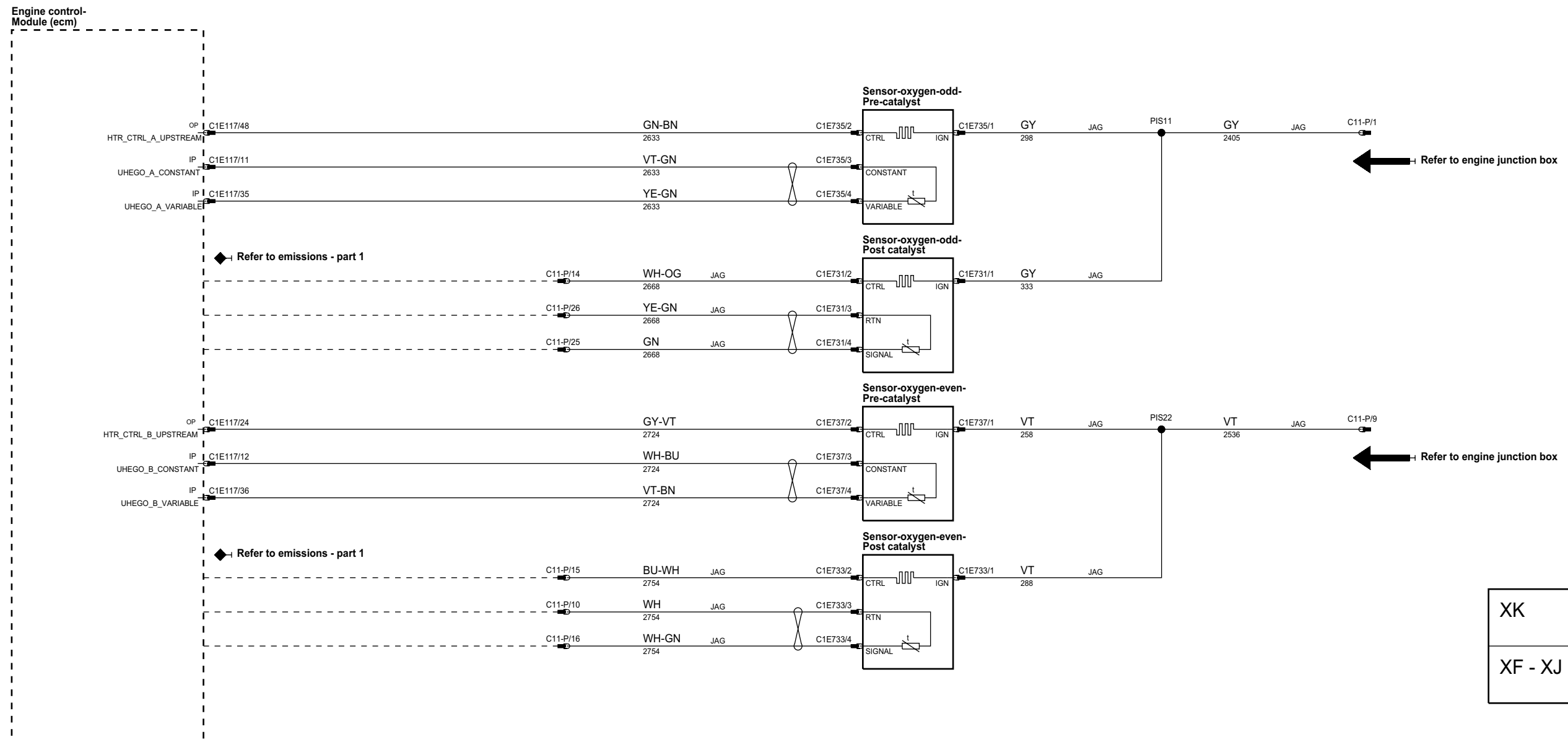
phaj133-70035-h-a5



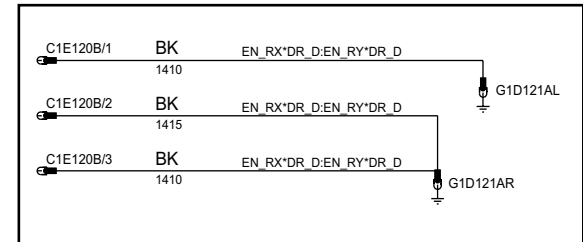
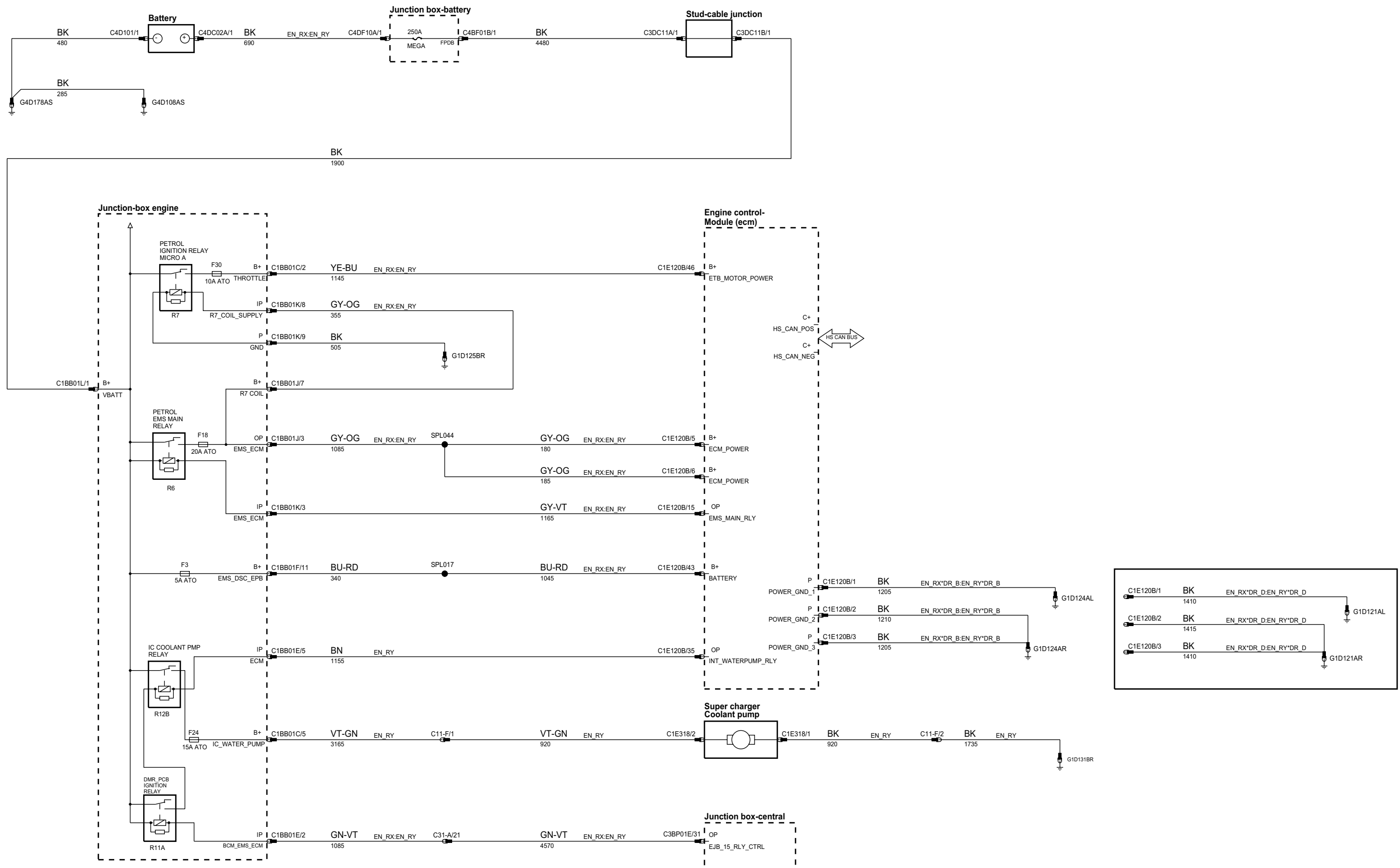
phaw93-70035-a-a6



phj133-70035-e-a5

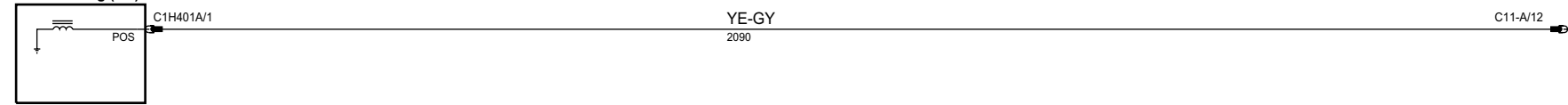


phaw93-70031-b-a6

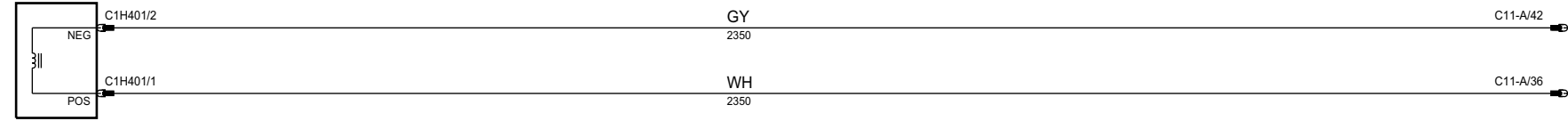


phldv6-70032-a

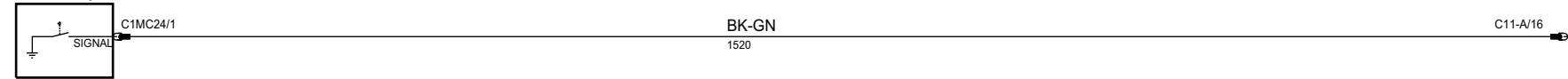
Clutch-compressor-air-Conditioning (a/c)



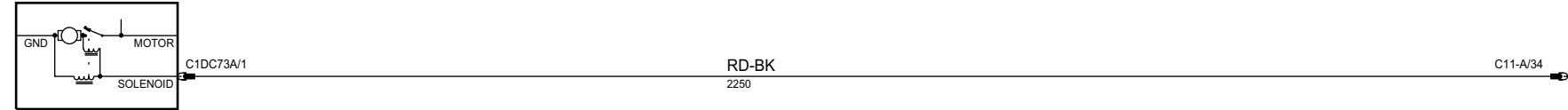
Refrigerant solenoid Valve



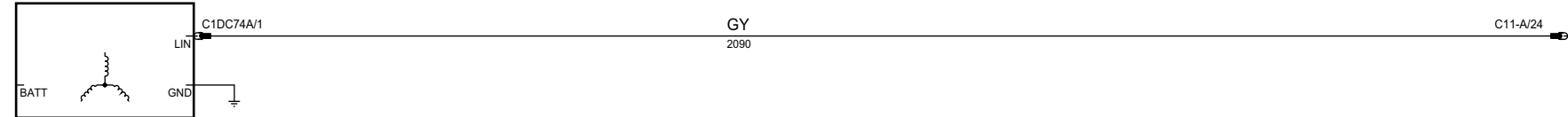
Switch-oil pressure



Starter motor



Generator



← Refer to climate control

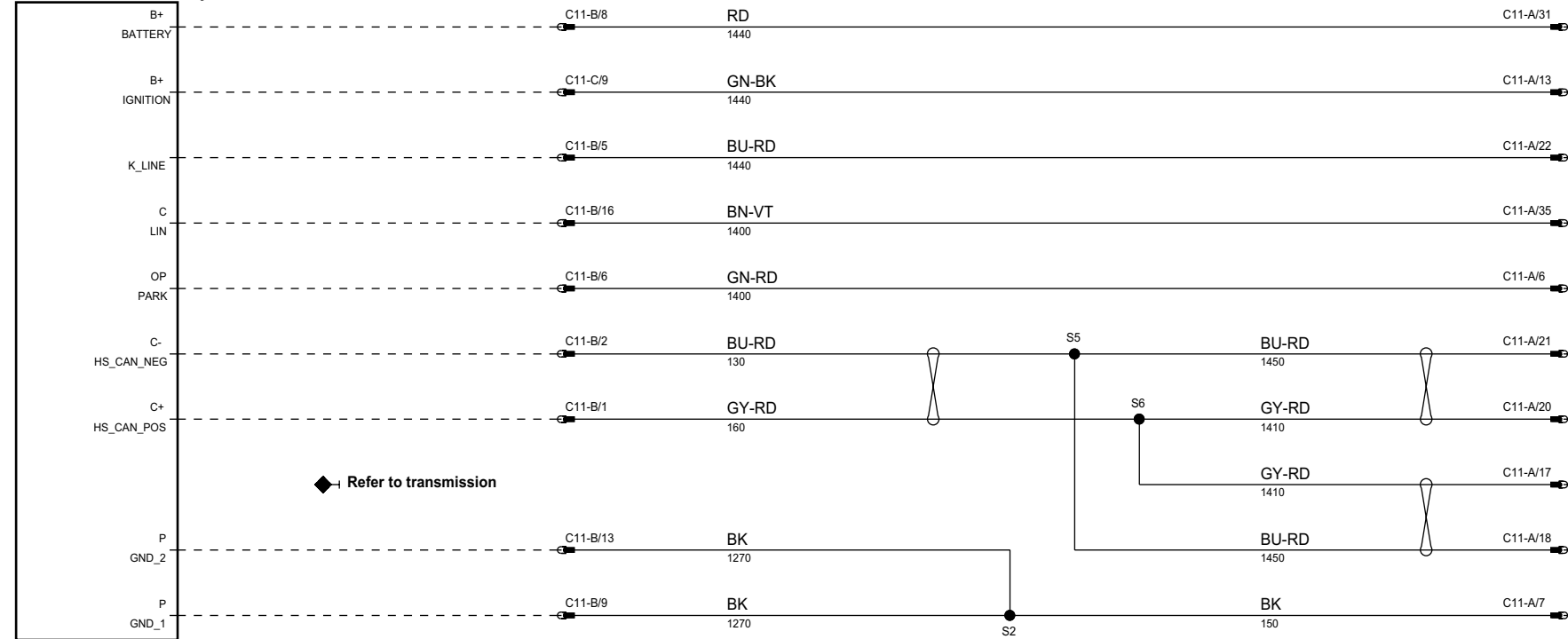
← Refer to instrument cluster

← Refer to dv6 - starting

← Refer to dv6 - charging

← Refer to transmission

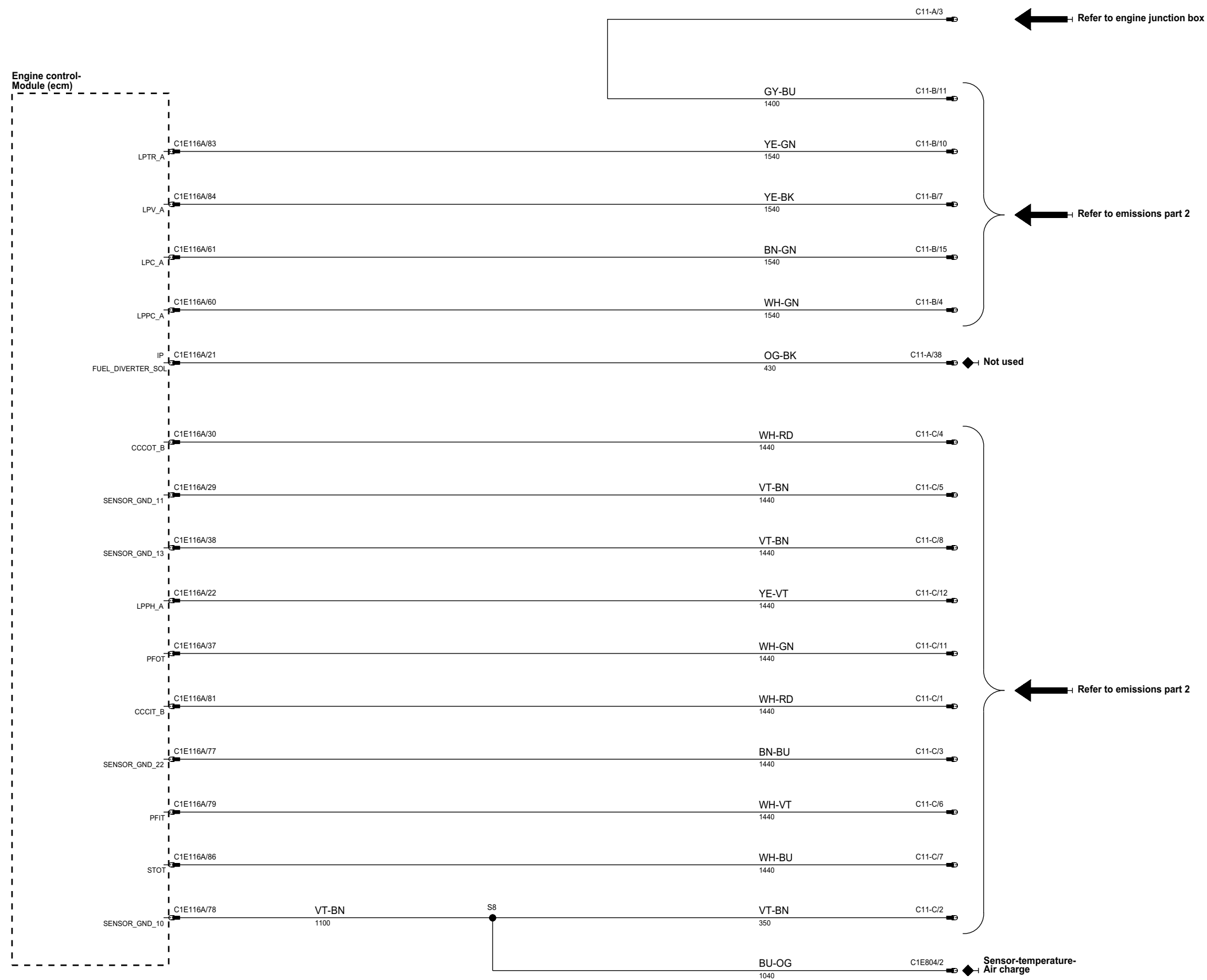
TCM and control valve body



◆ Refer to transmission

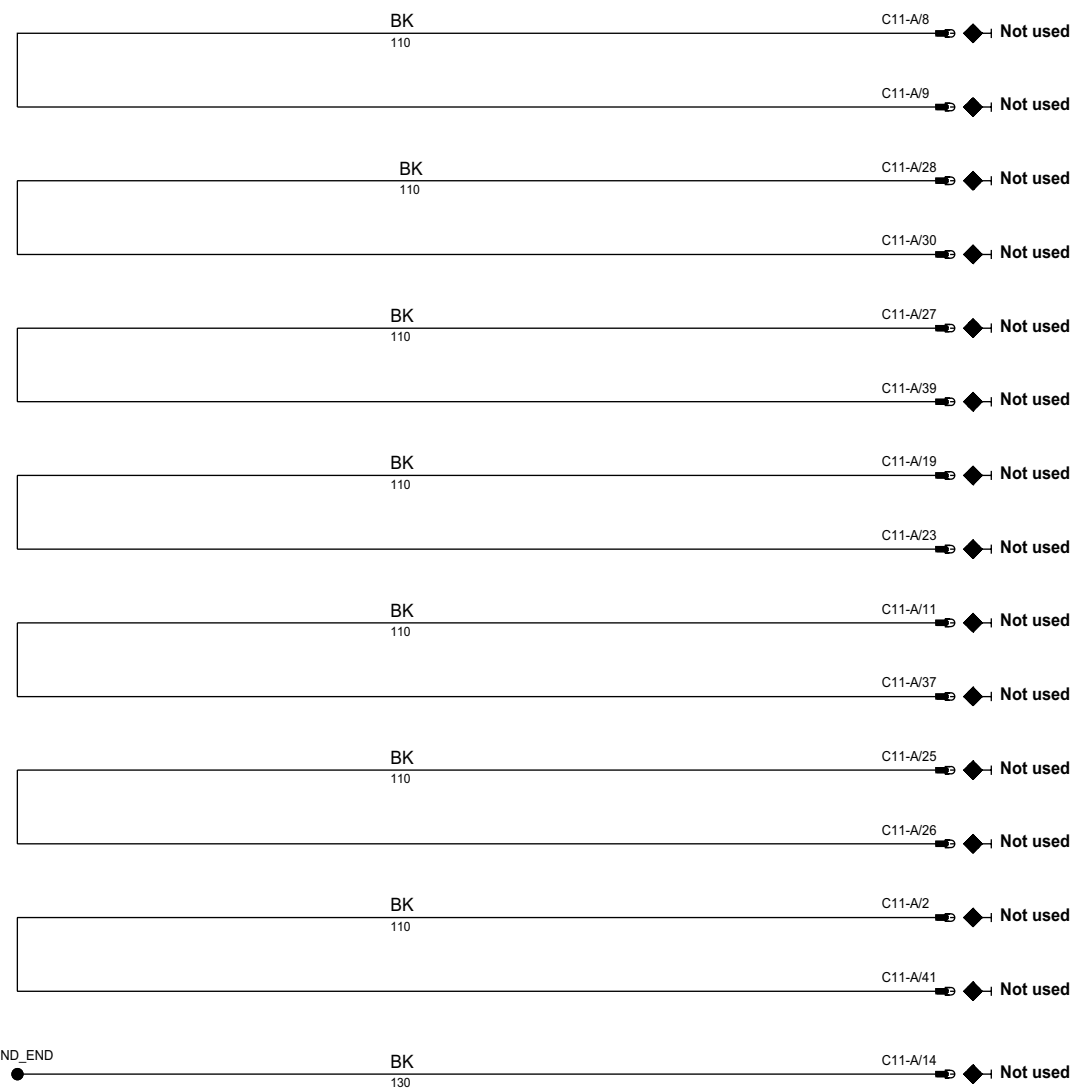
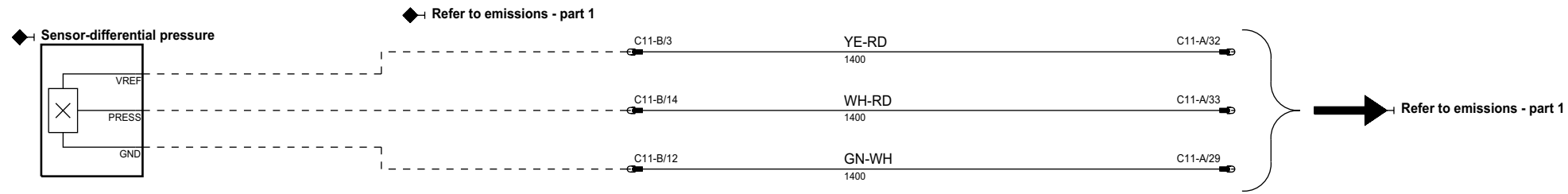
C11-A	=	C11-P
C11-B	=	C11-N
C11-C	=	C11-M

phdv6-70032-b



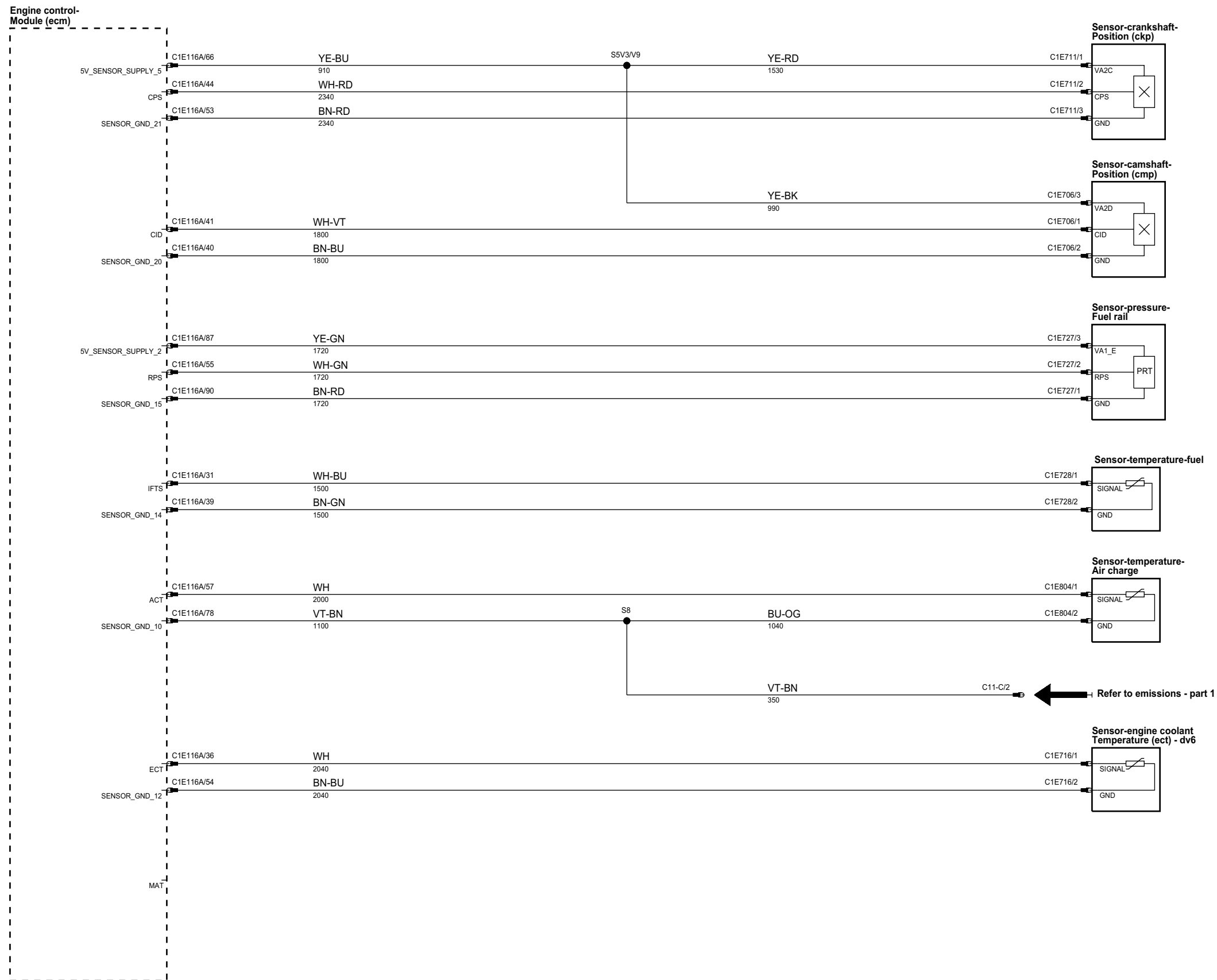
C11-A = C11-P
C11-B = C11-N
C11-C = C11-M

phdsv6-70032-c



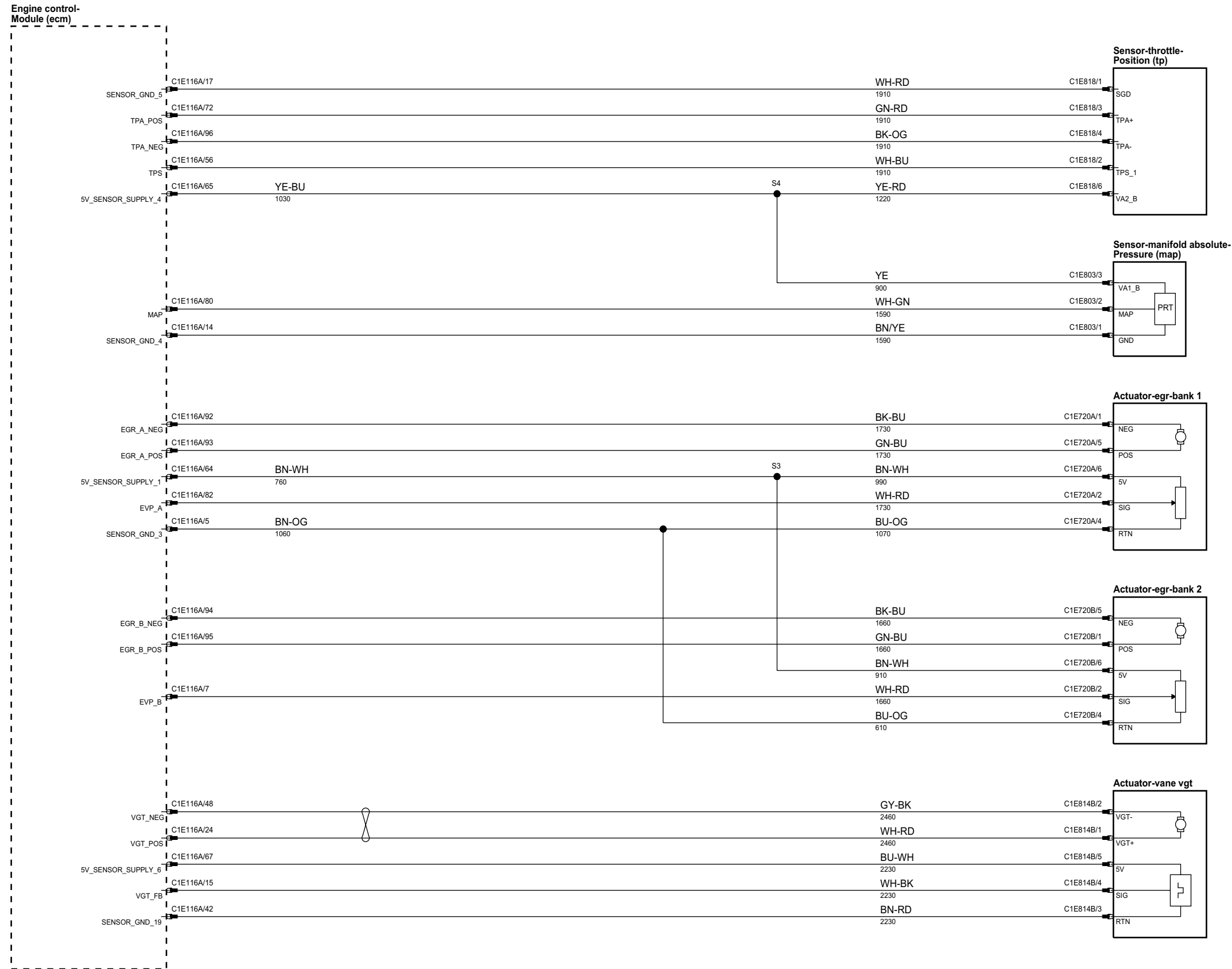
C11-A	=	C11-P
C11-B	=	C11-N
C11-C	=	C11-M

phdv6-70034-a



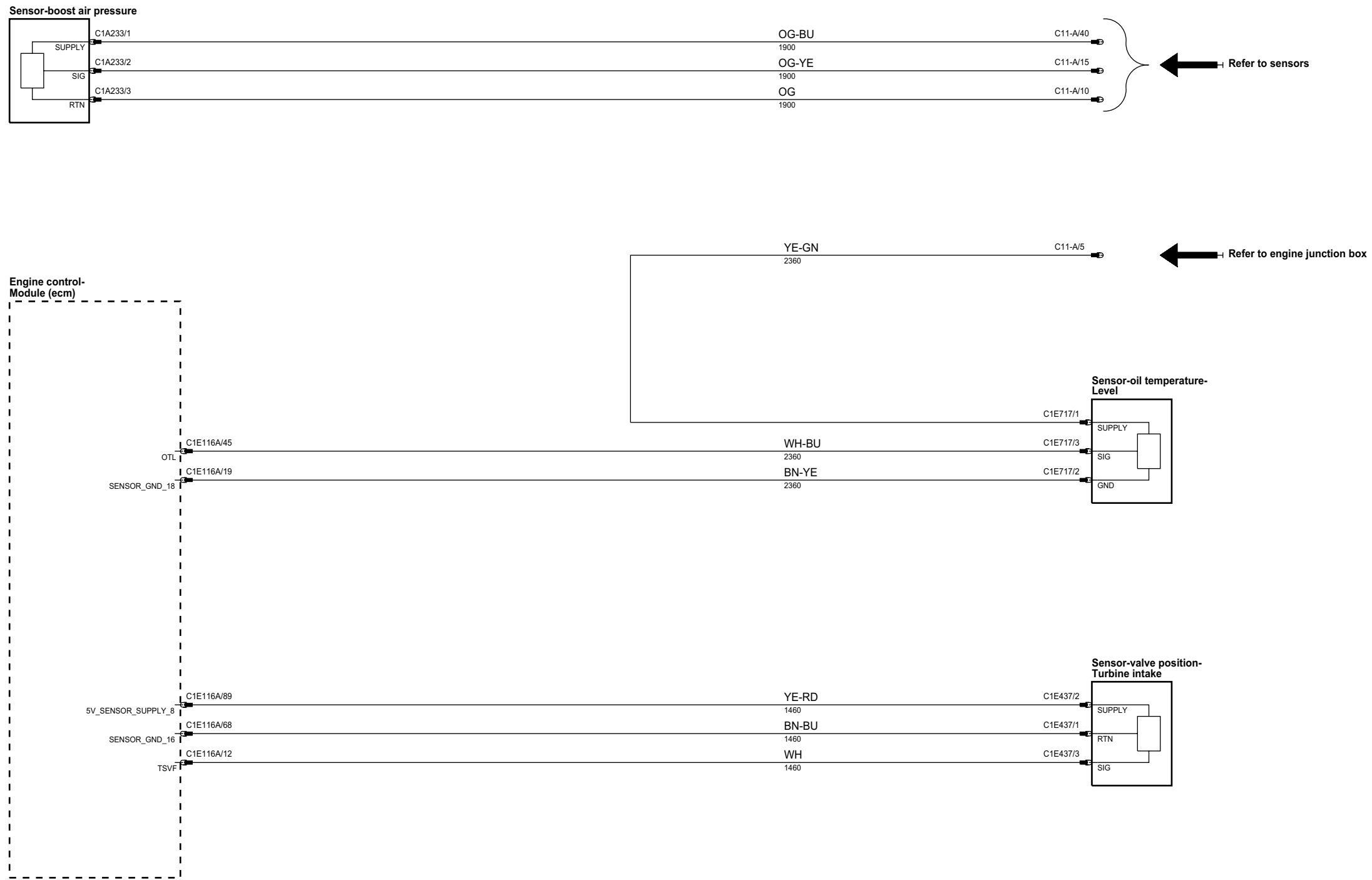
C11-A	=	C11-P
C11-B	=	C11-N
C11-C	=	C11-M

phtdv6-70034-b



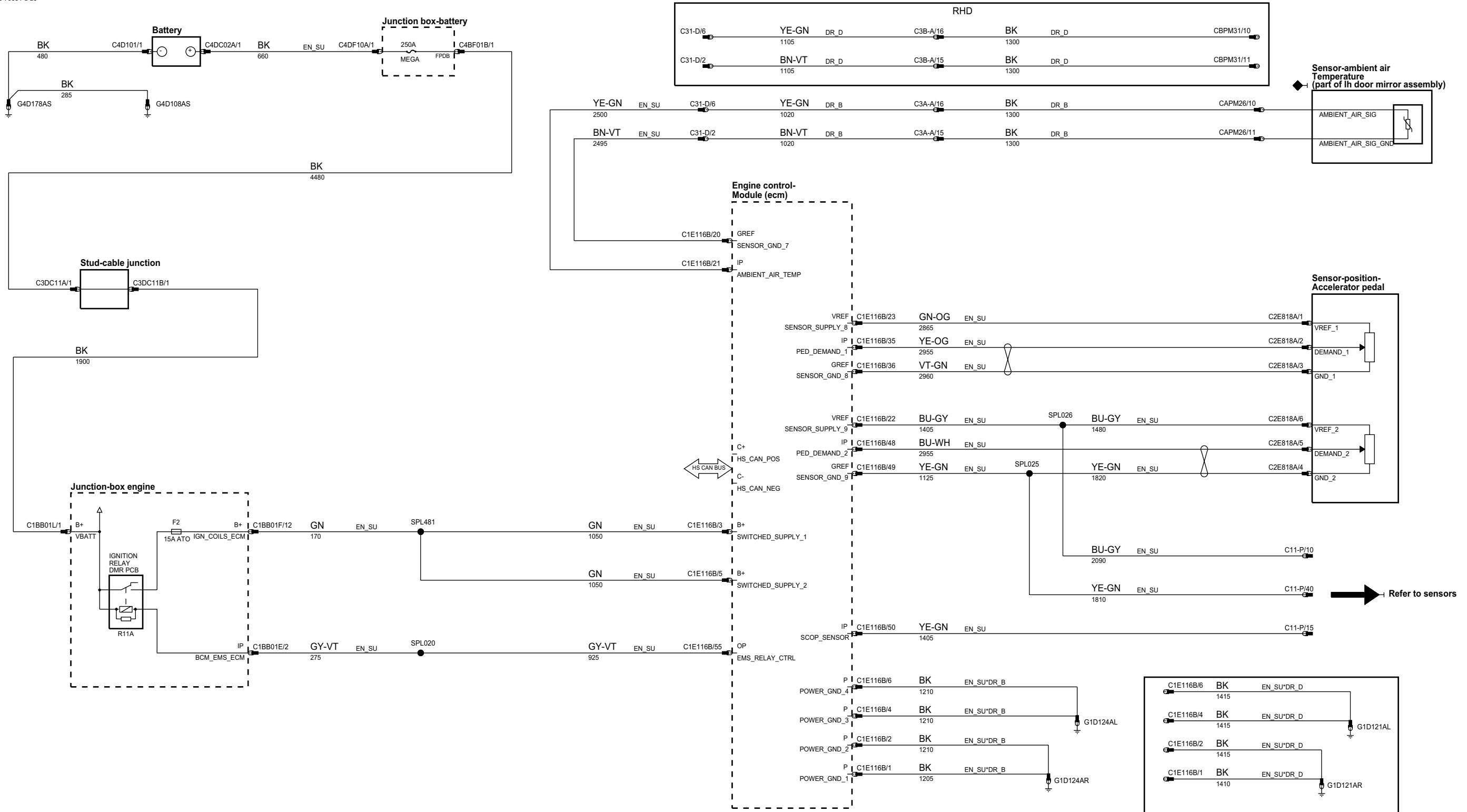
C11-A	=	C11-P
C11-B	=	C11-N
C11-C	=	C11-M

phd6-70034-c



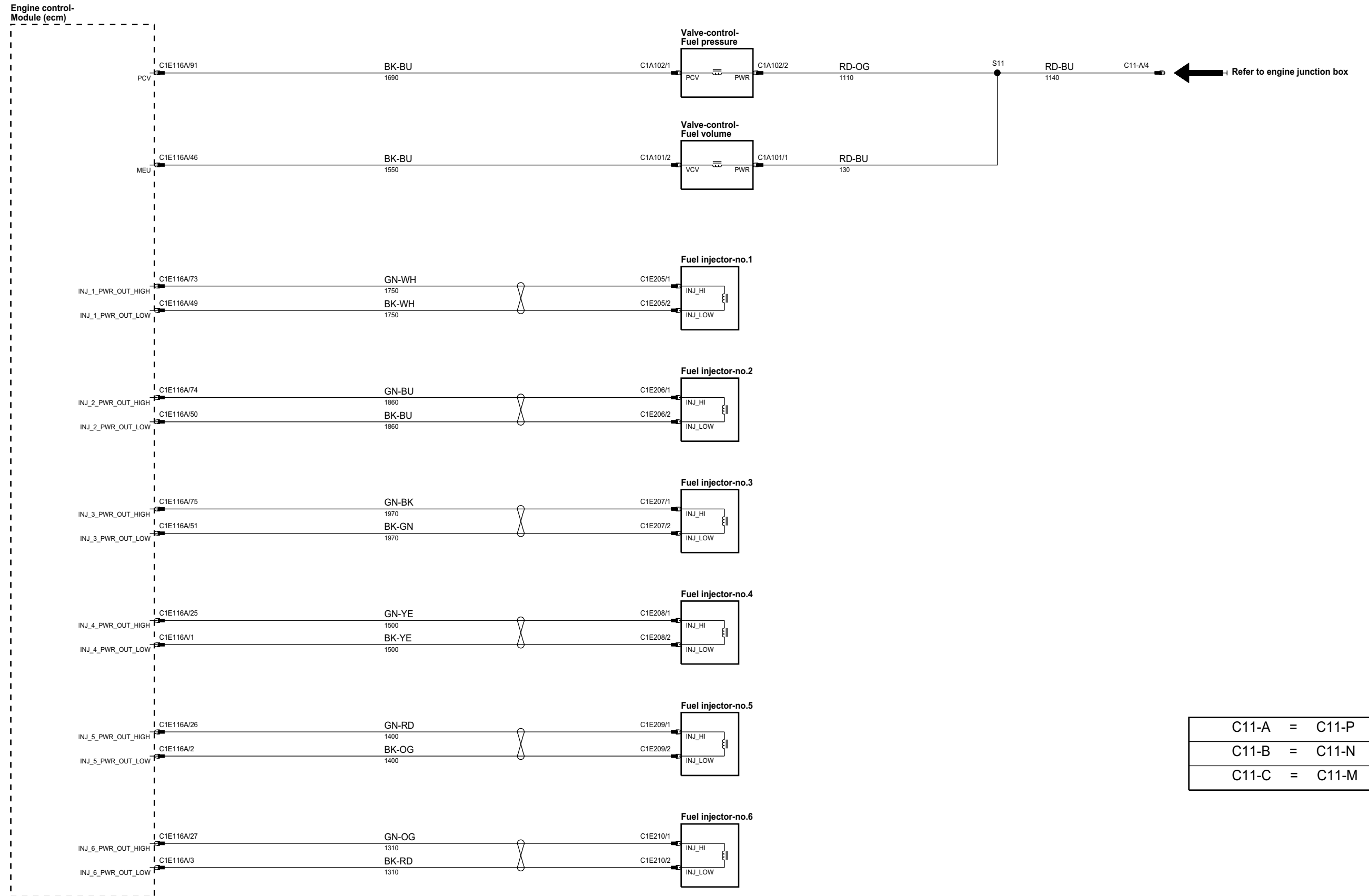
C11-A	=	C11-P
C11-B	=	C11-N
C11-C	=	C11-M

phaw93-70034-d-a6



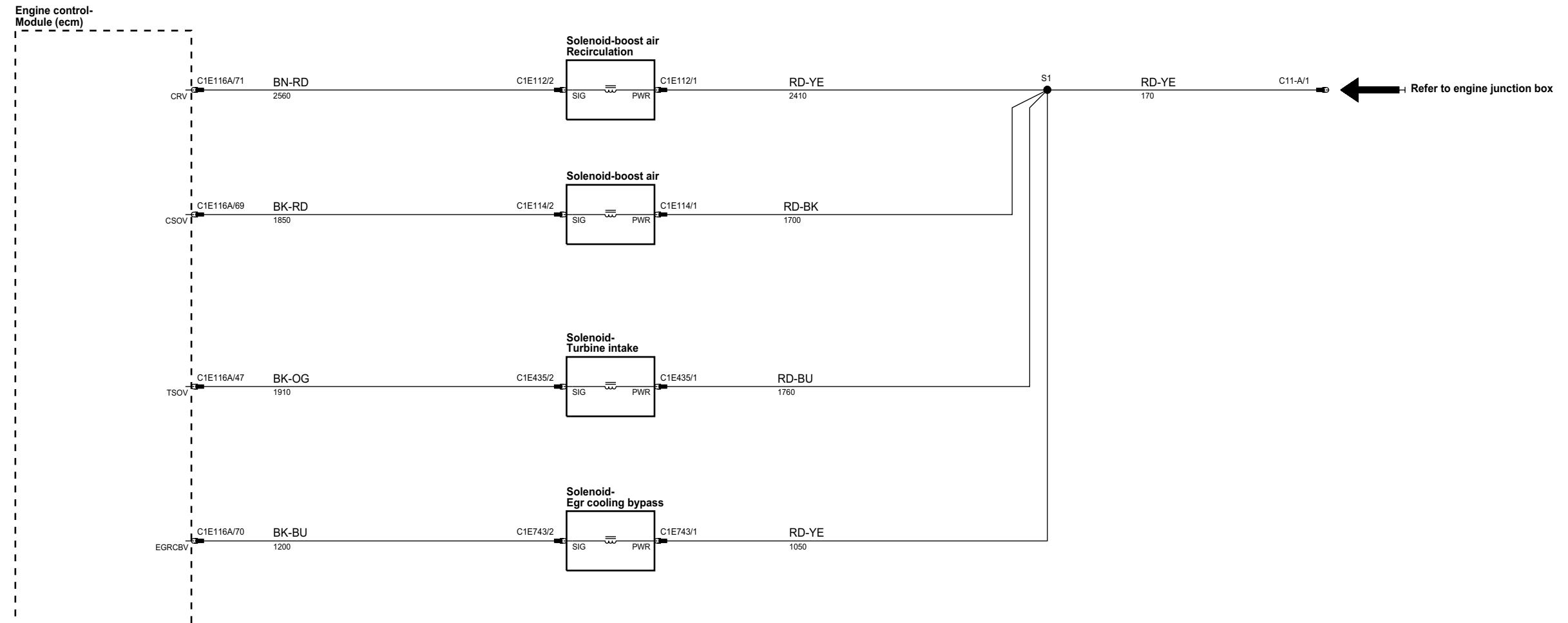
Refer to sensors

phd6-70038-a



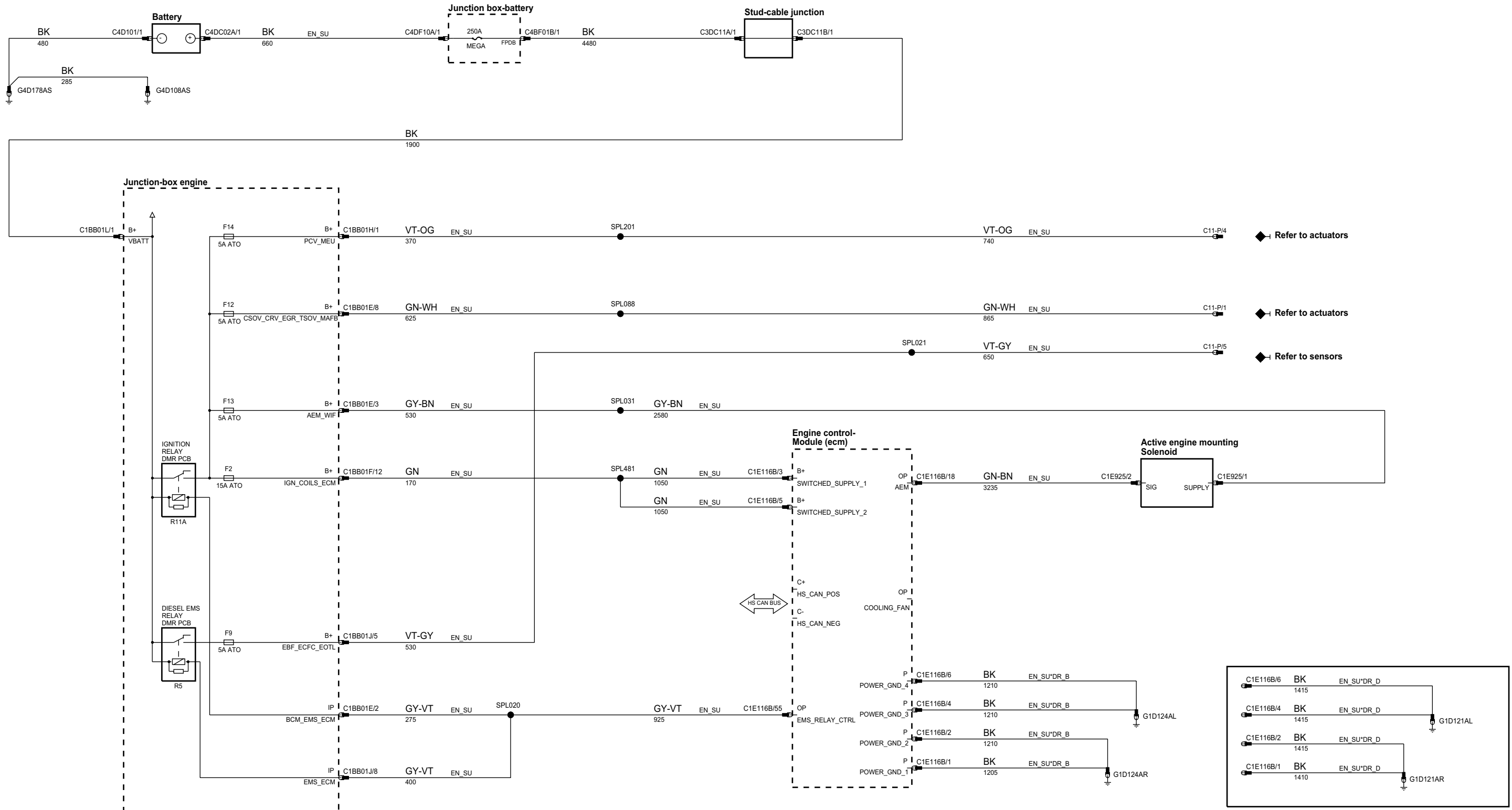
C11-A	=	C11-P
C11-B	=	C11-N
C11-C	=	C11-M

phtdv6-70038-b

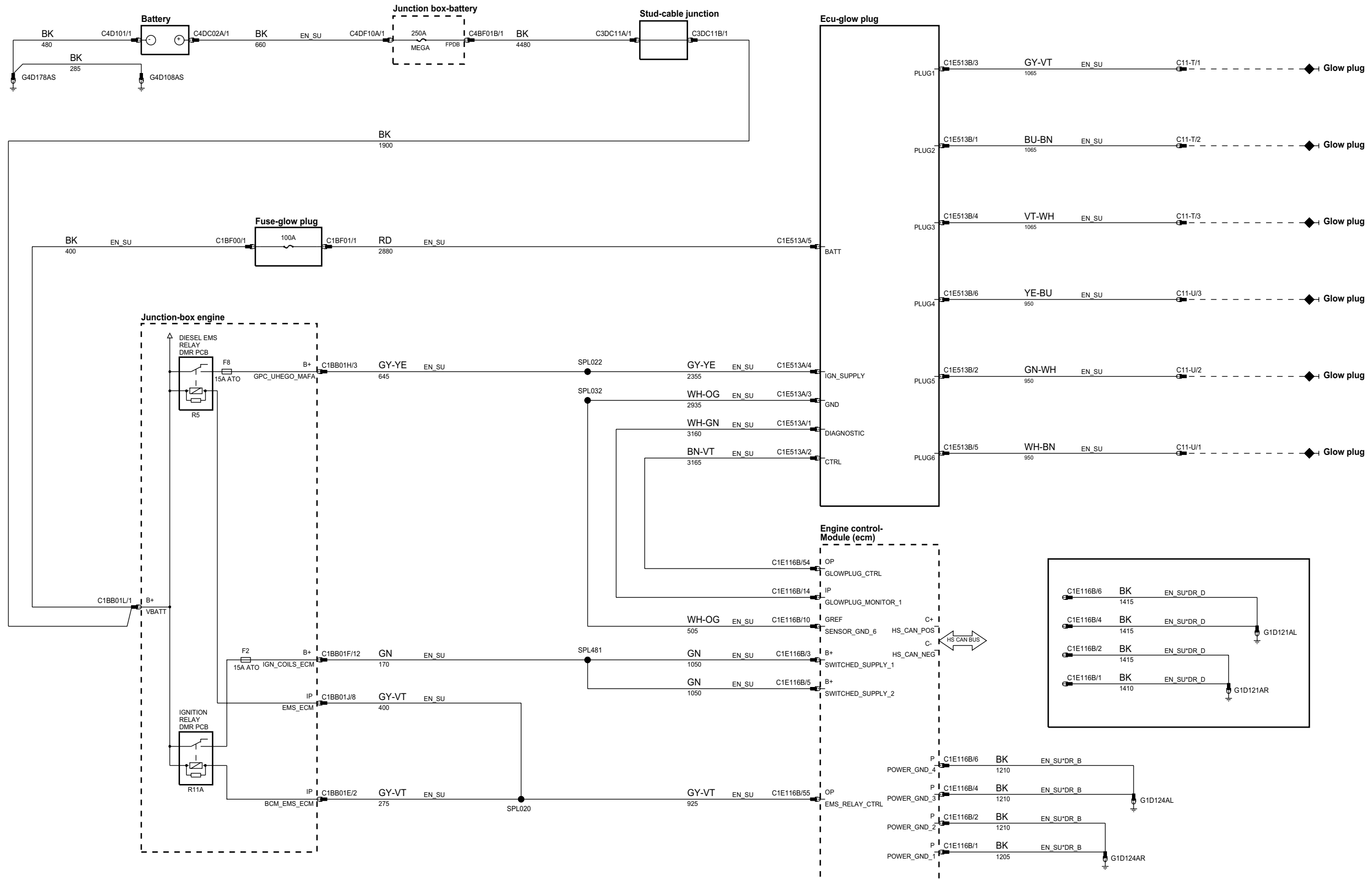


C11-A	=	C11-P
C11-B	=	C11-N
C11-C	=	C11-M

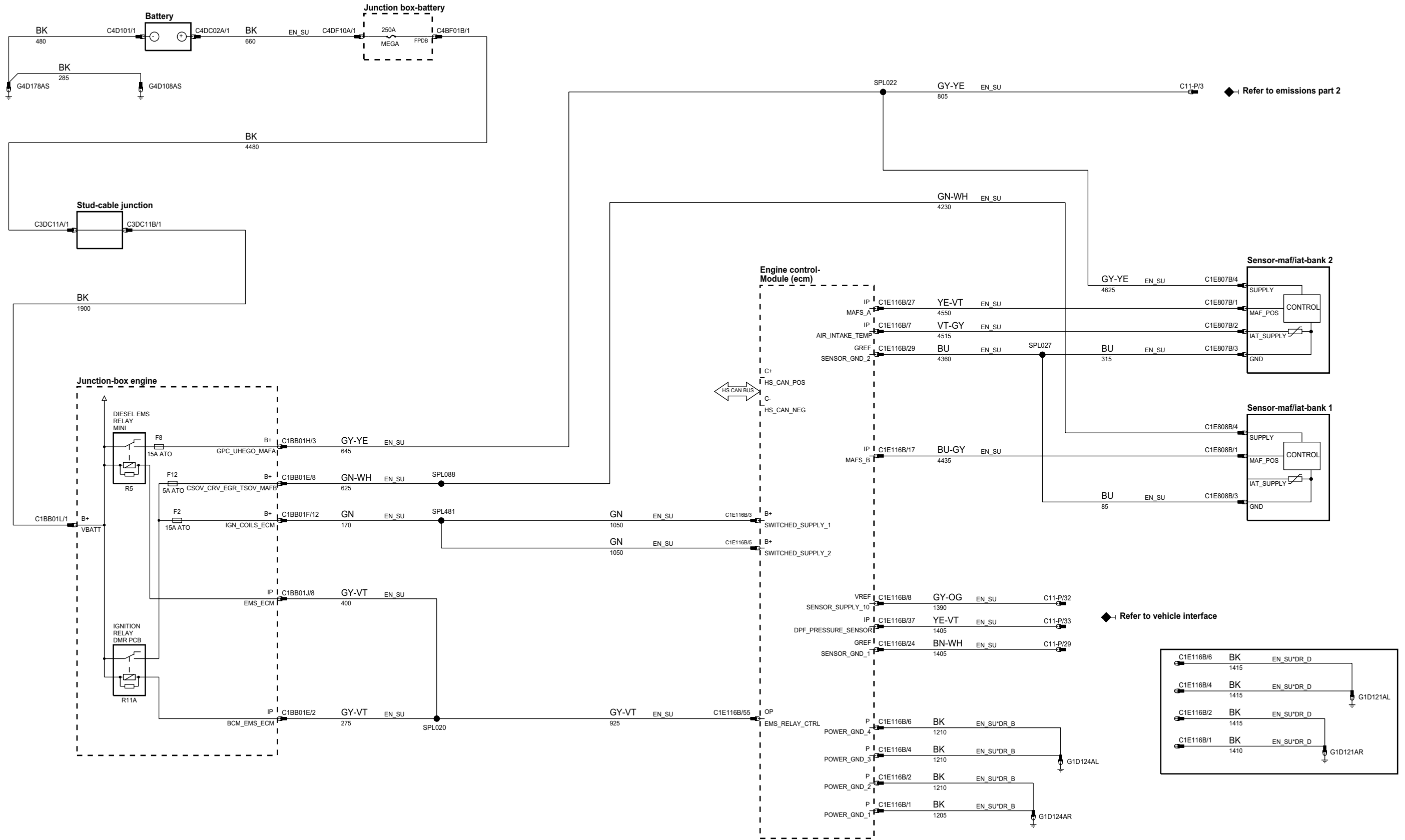
phaw93-70038-d-a6



phaw93-70037-d-a6



phaw93-70035-d-a6

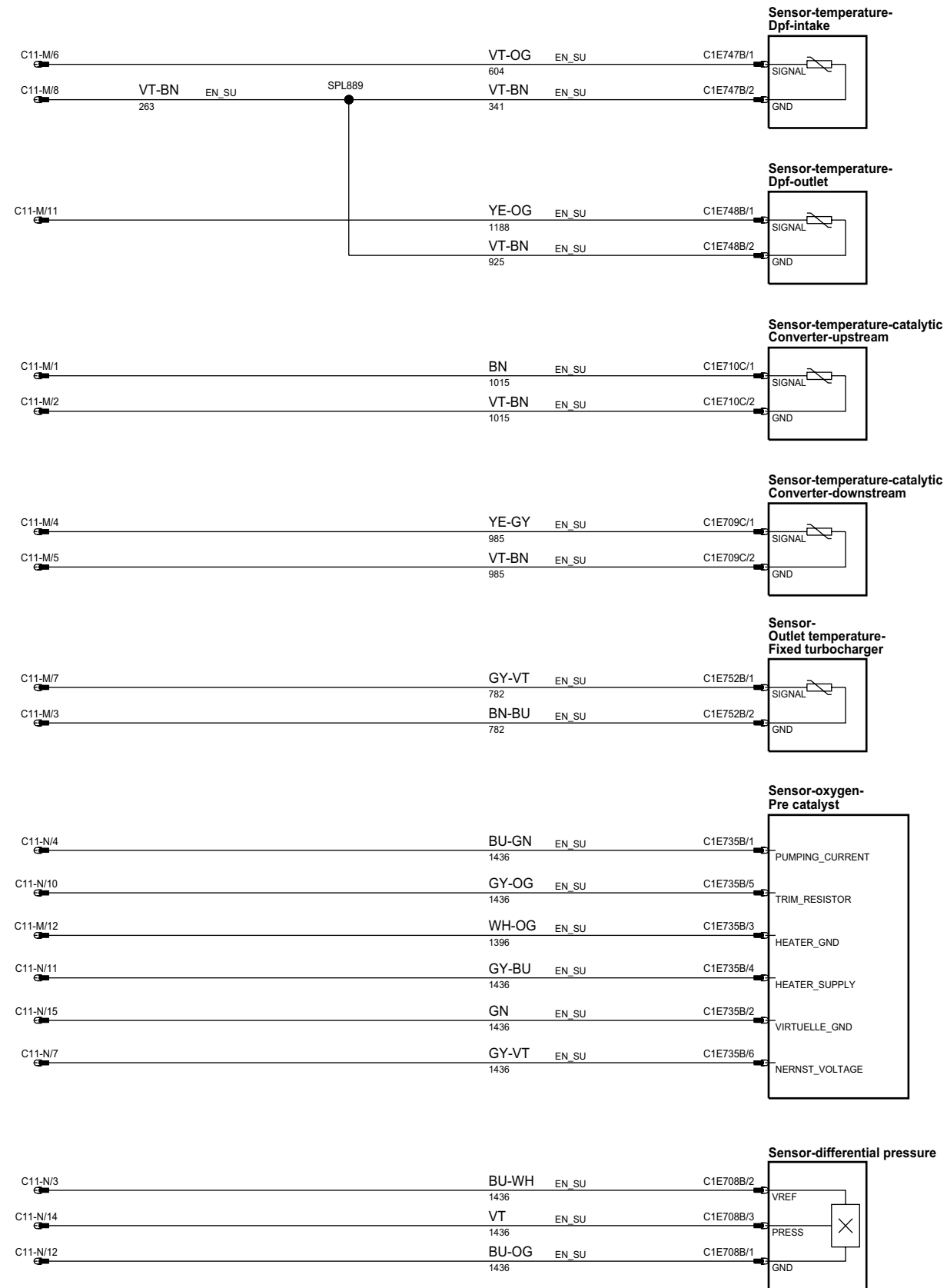


Refer to emissions part 2

Refer to vehicle interface

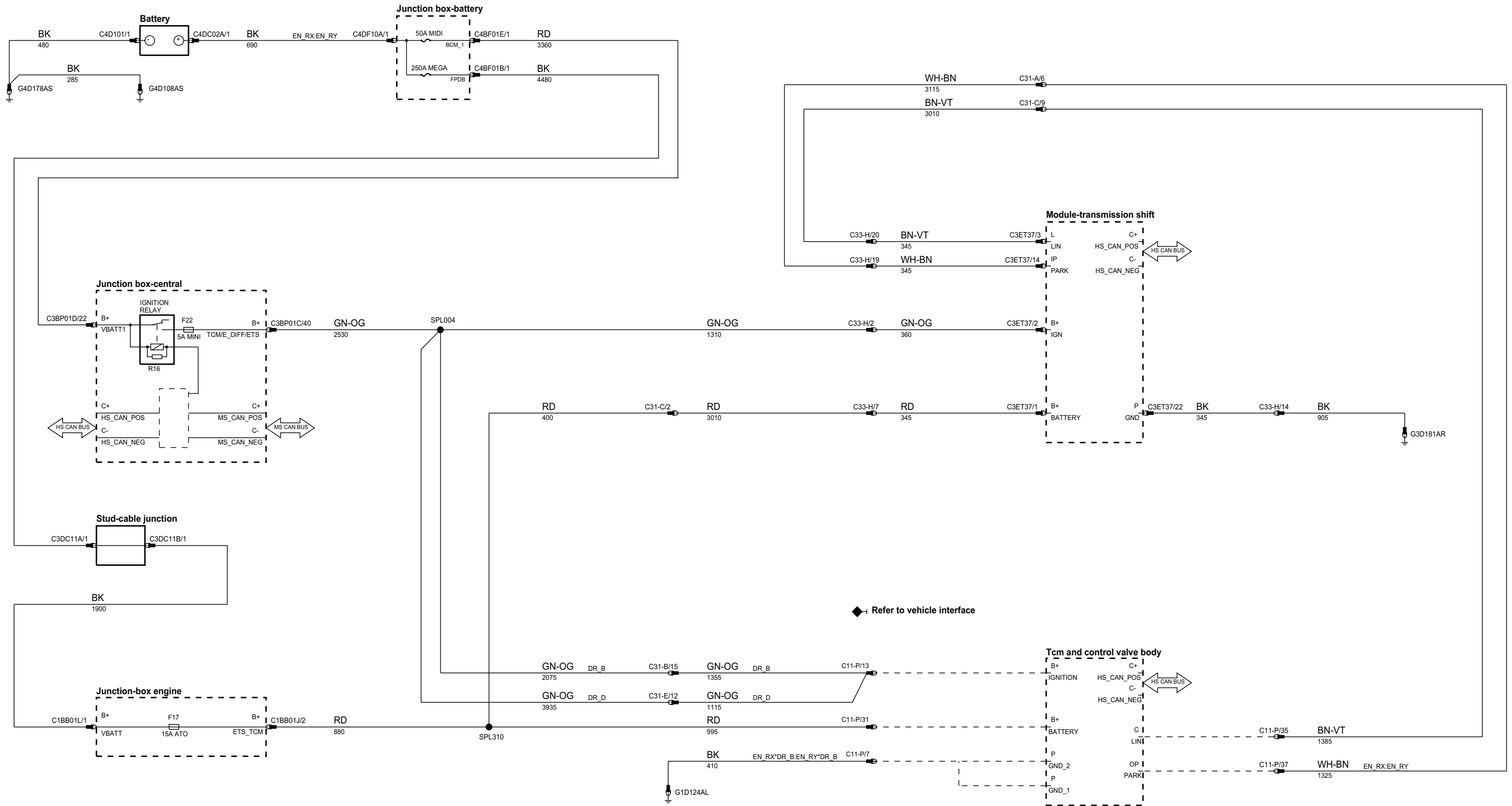
phaw93-70035-d2-a6

← Refer to vehicle interface

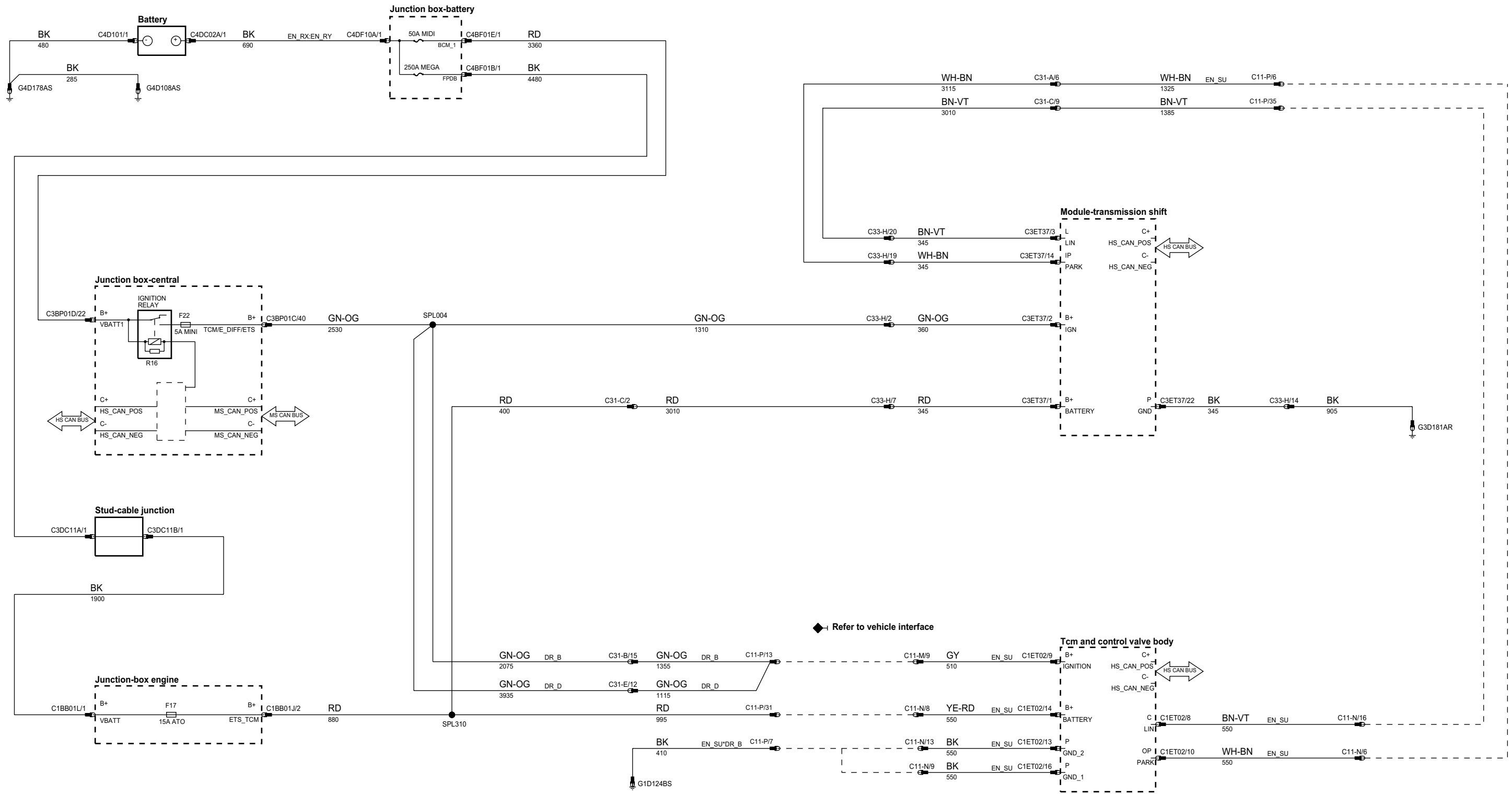


C11-P = C11-A
C11-N = C11-B
C11-M = C11-C

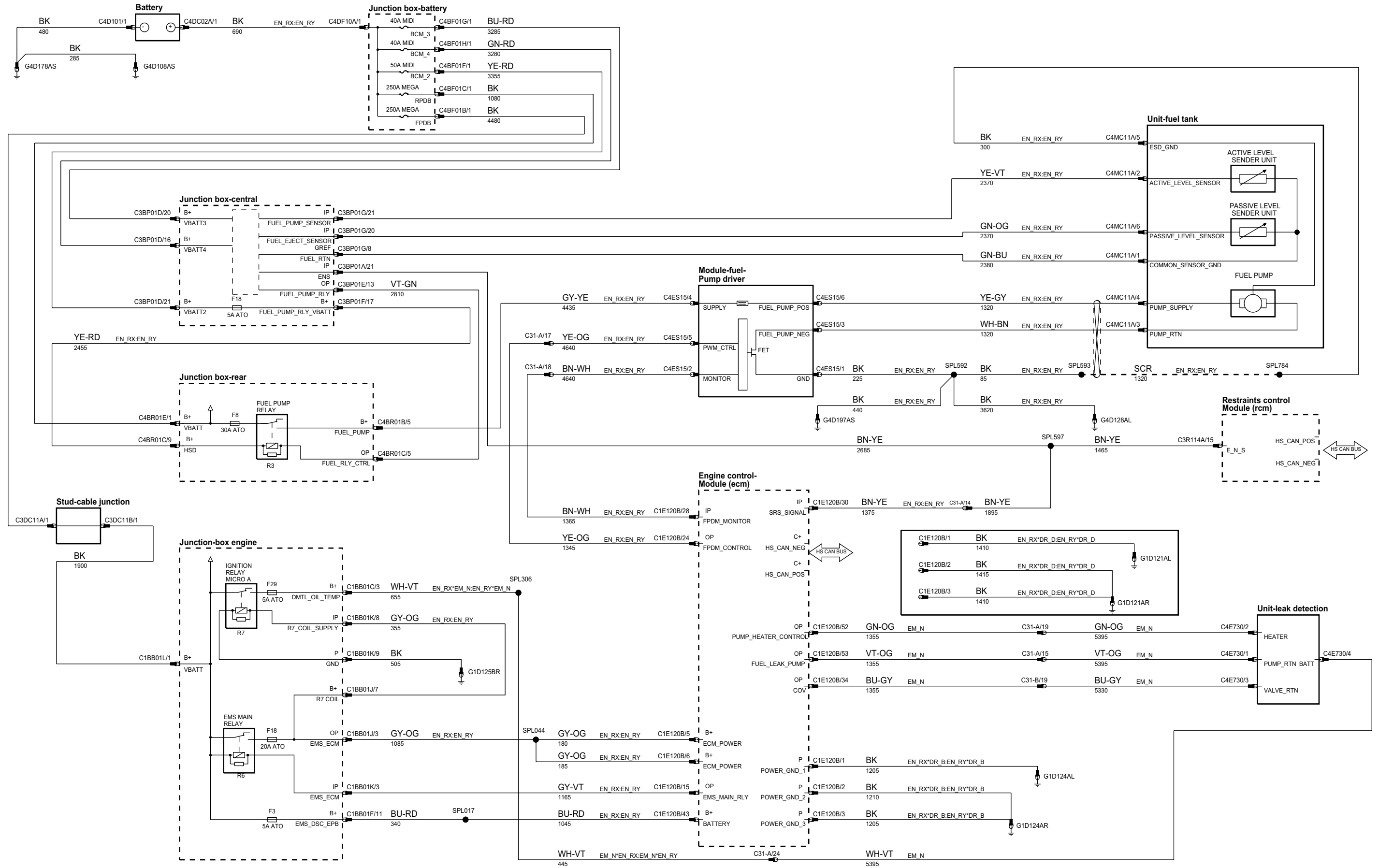
phaw93-70041-a-a6



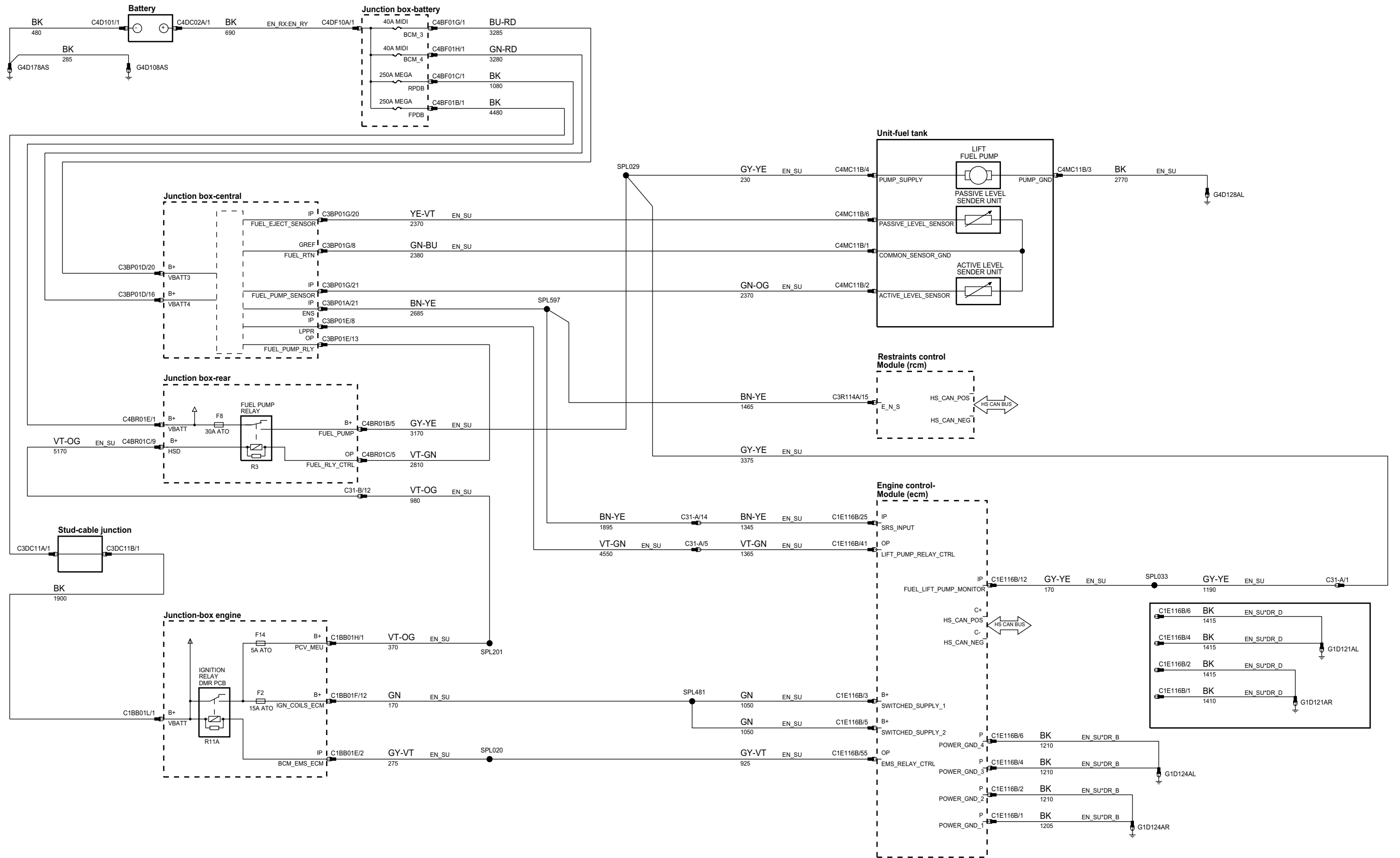
phaw93-70041-d-a6



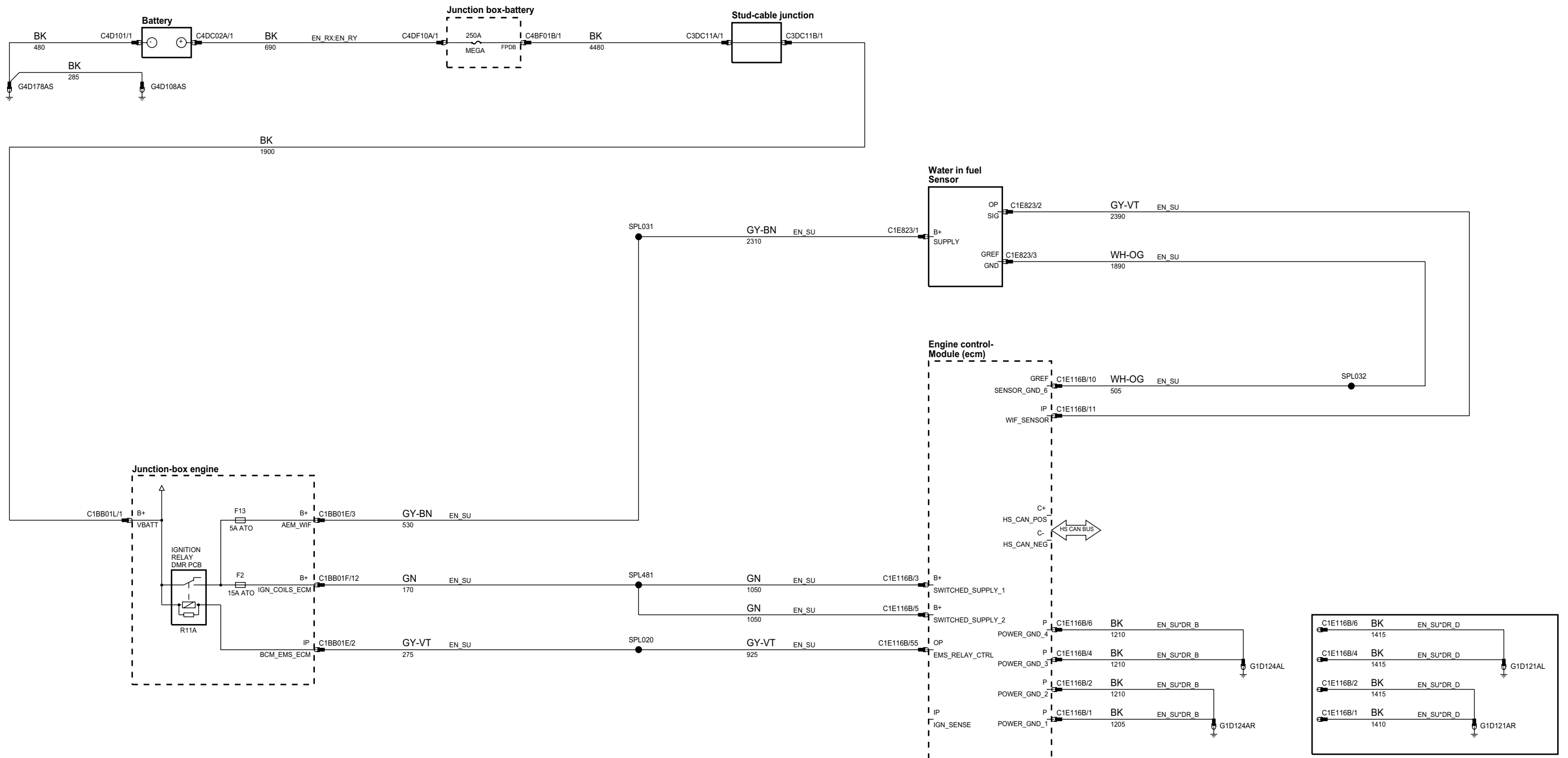
phaw93-70036-a-a6



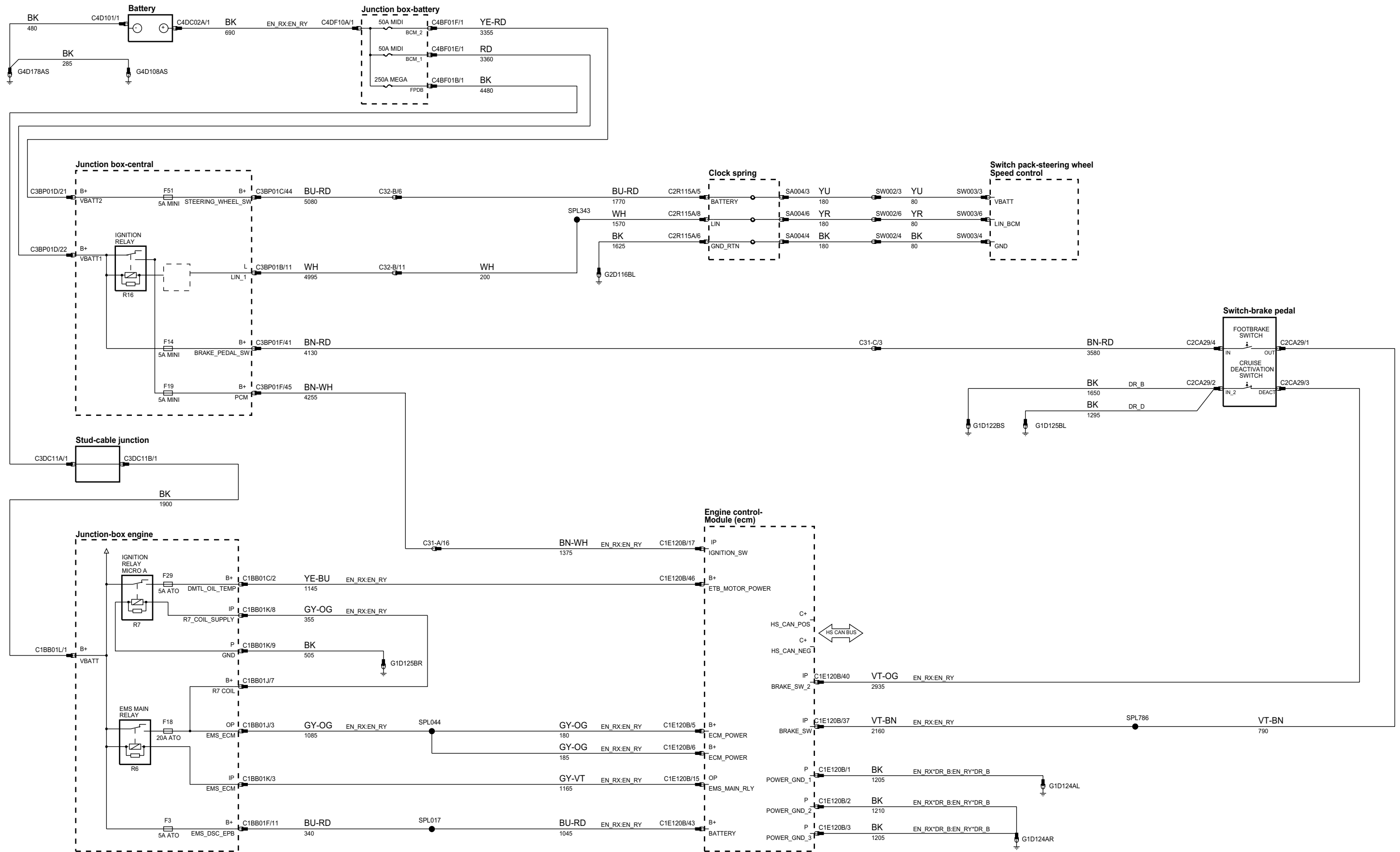
phaw93-70036-d-a6



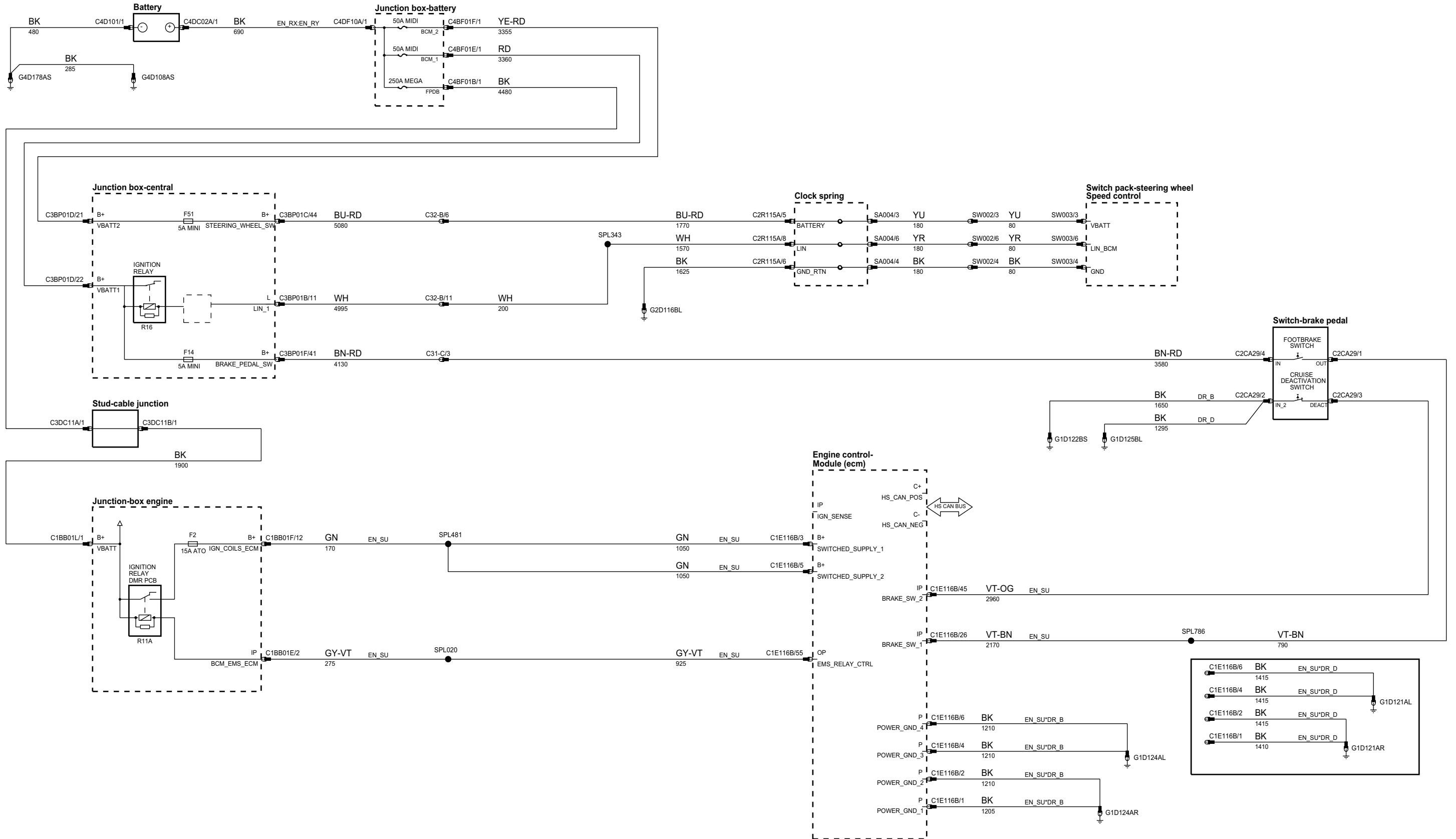
phaw93-70036-d2-a6



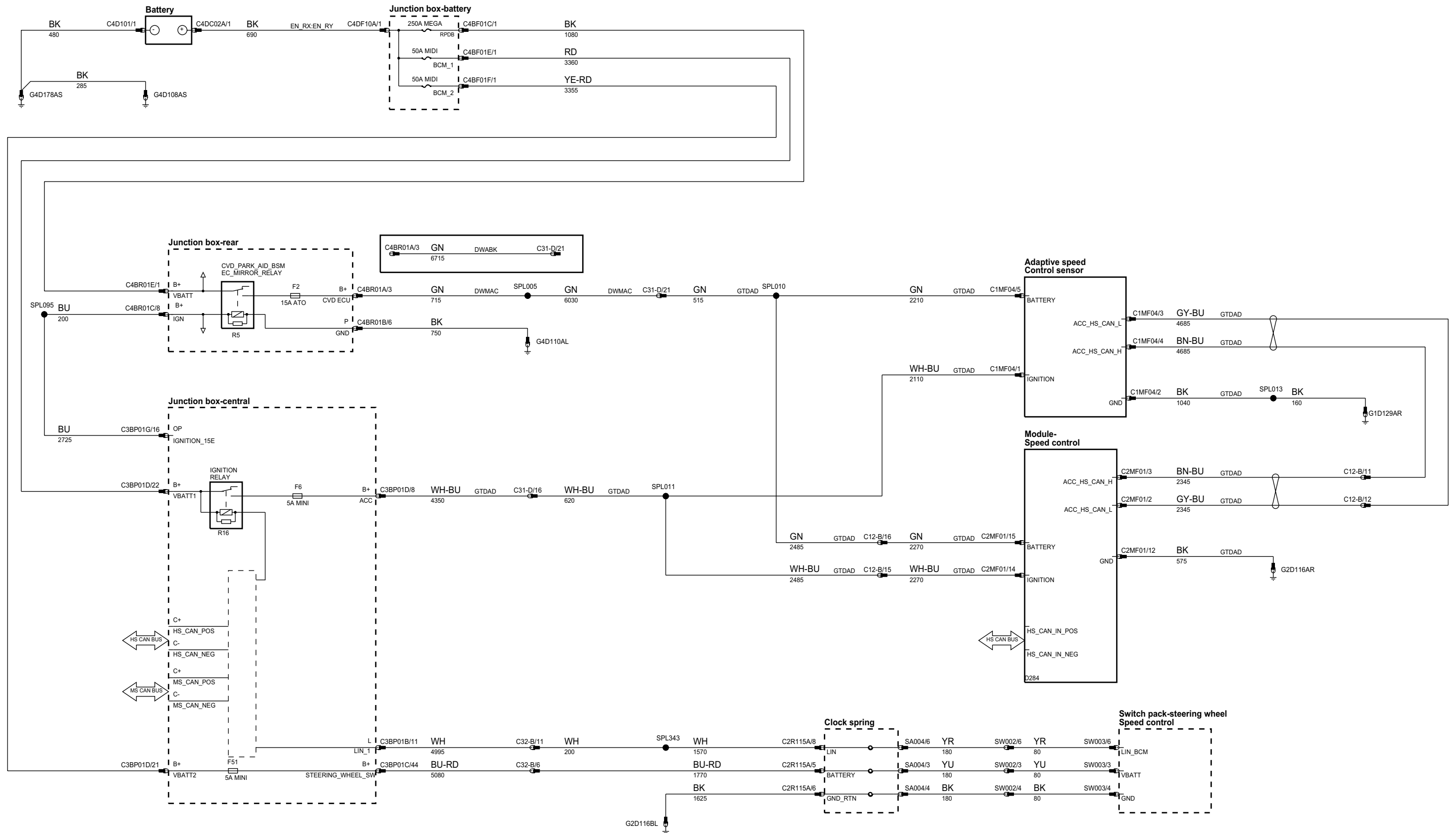
phaw93-70190-a-a6



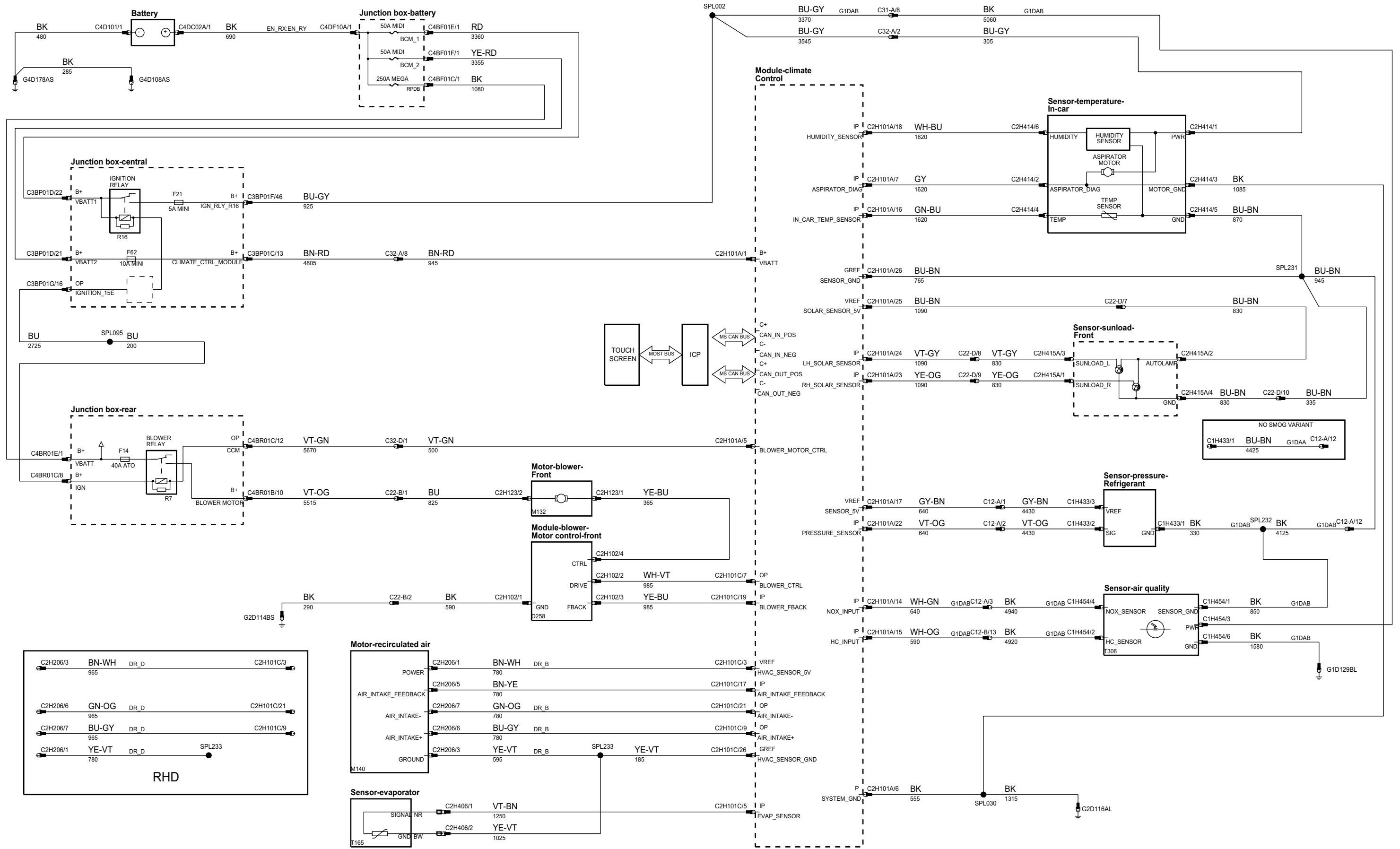
phaw93-70190-d-a6



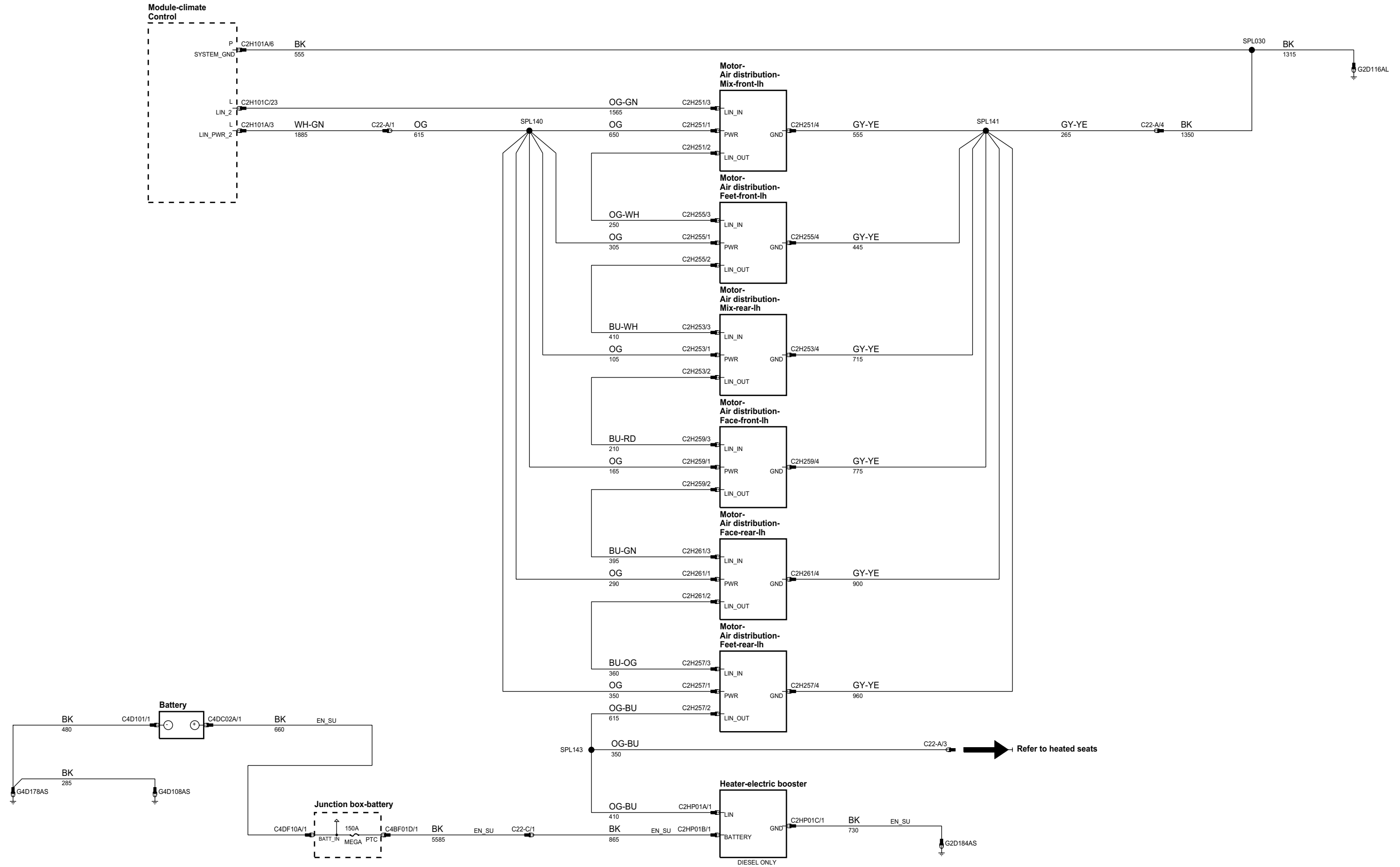
phaw93-70486-a-a6



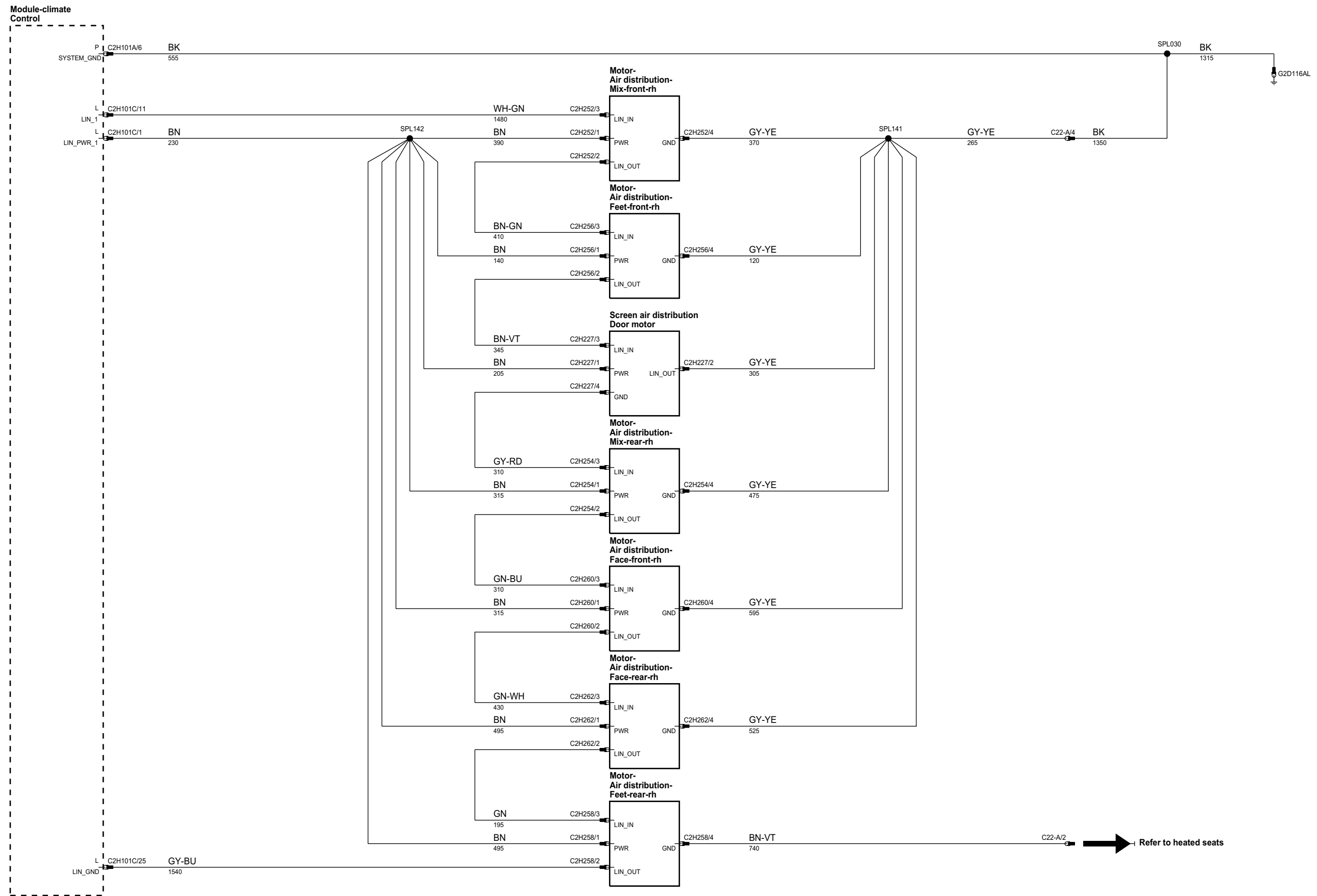
phaw93-70295-a-a6



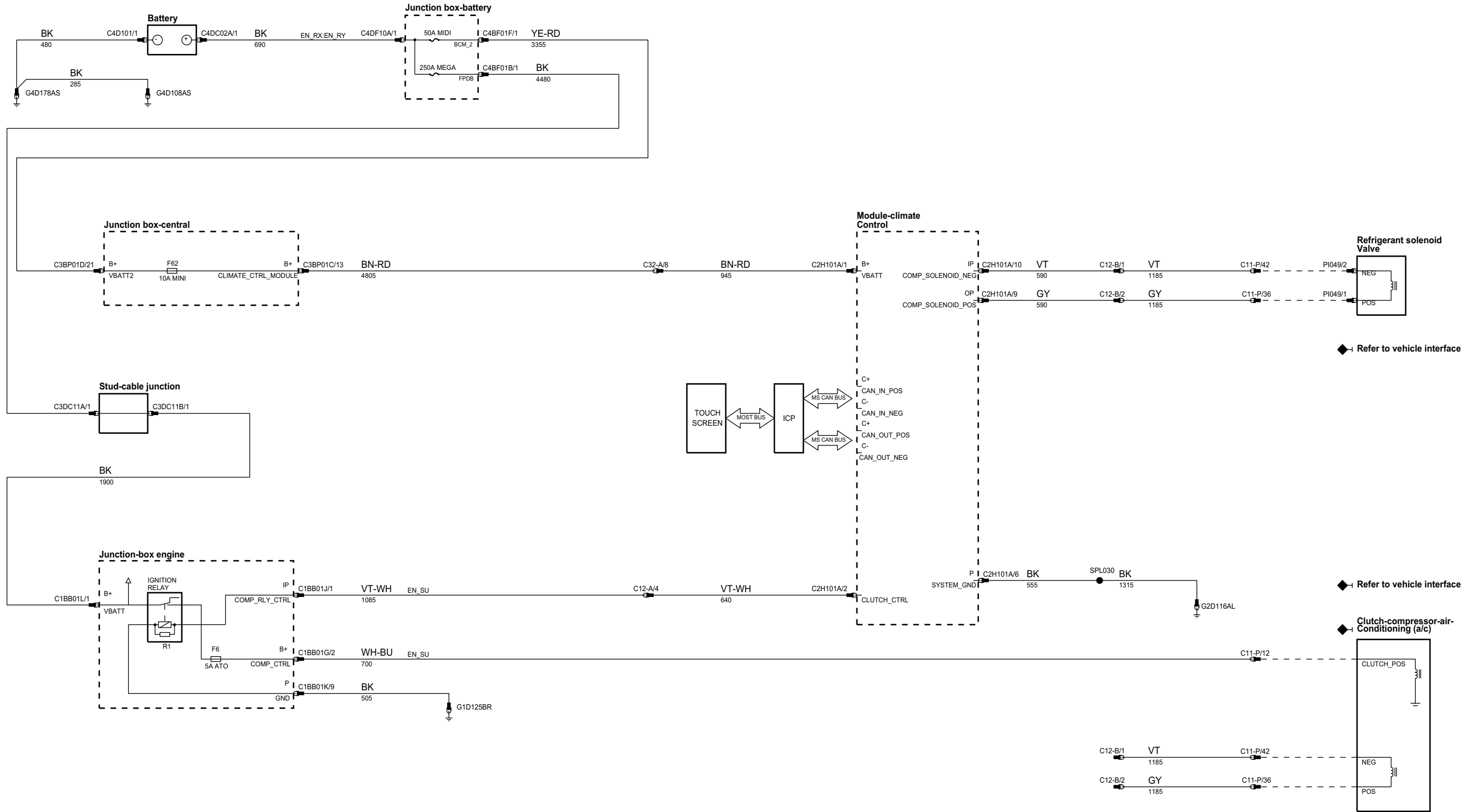
phaw93-70295-b-a6



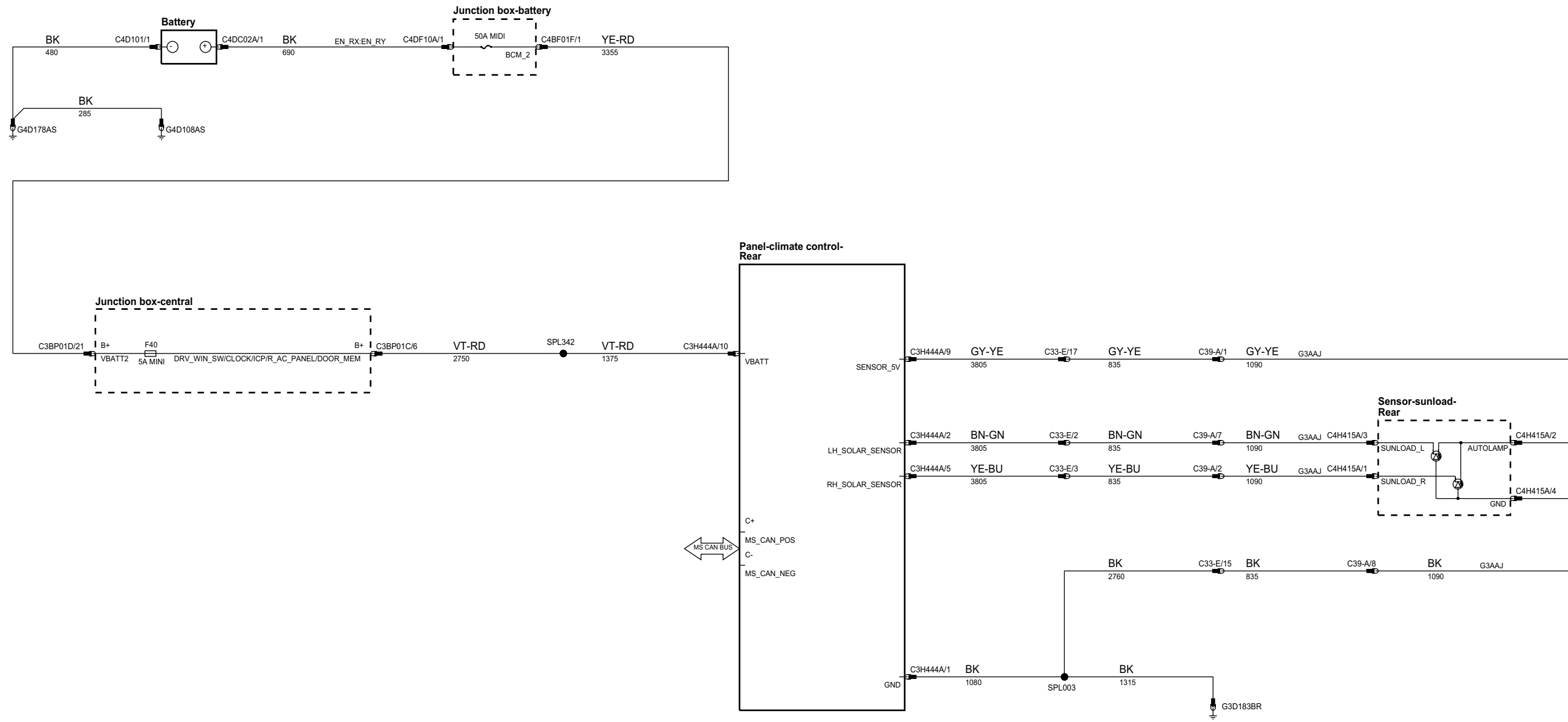
phaw93-70295-c-a6



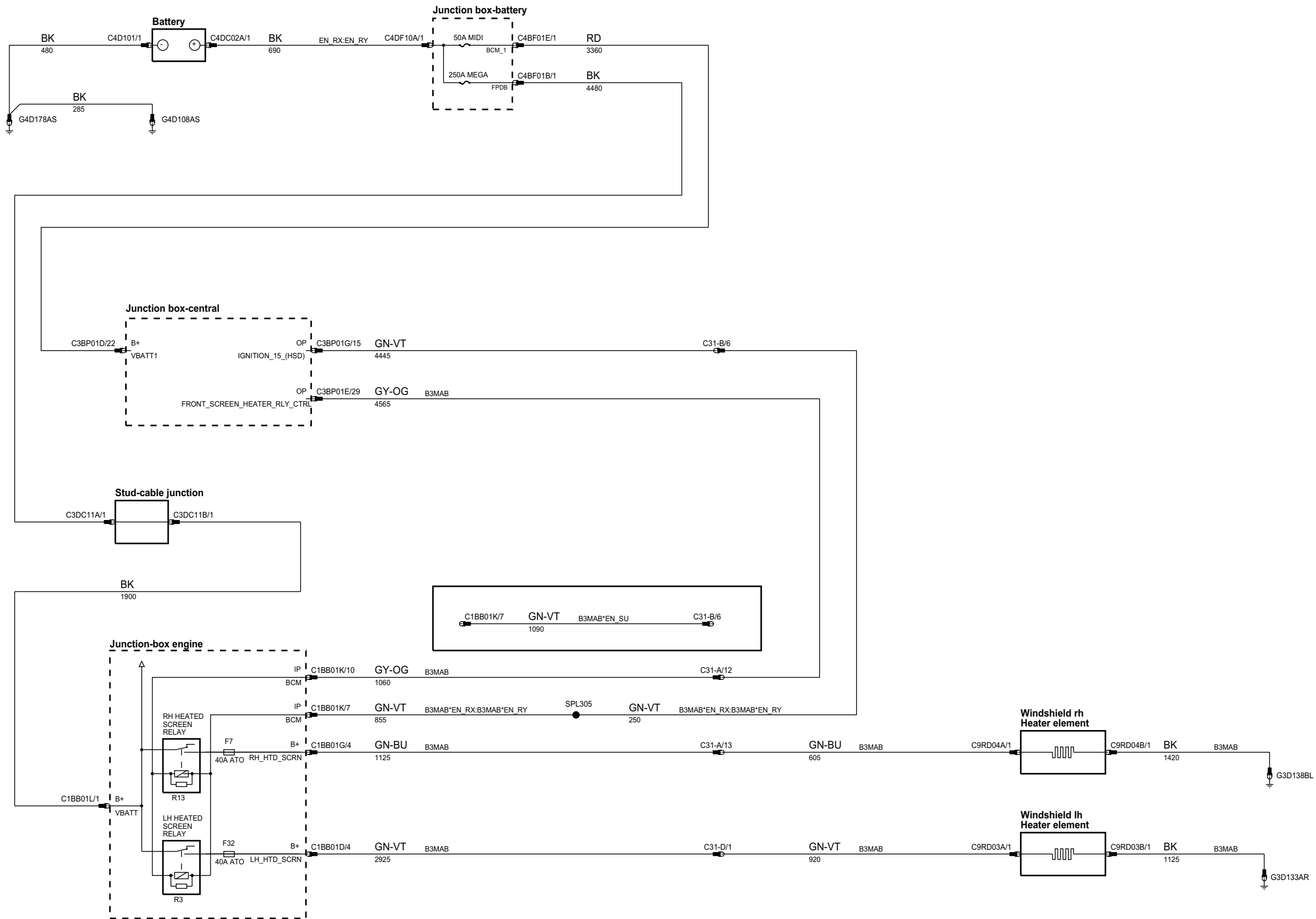
phaw93-70295-d-a6



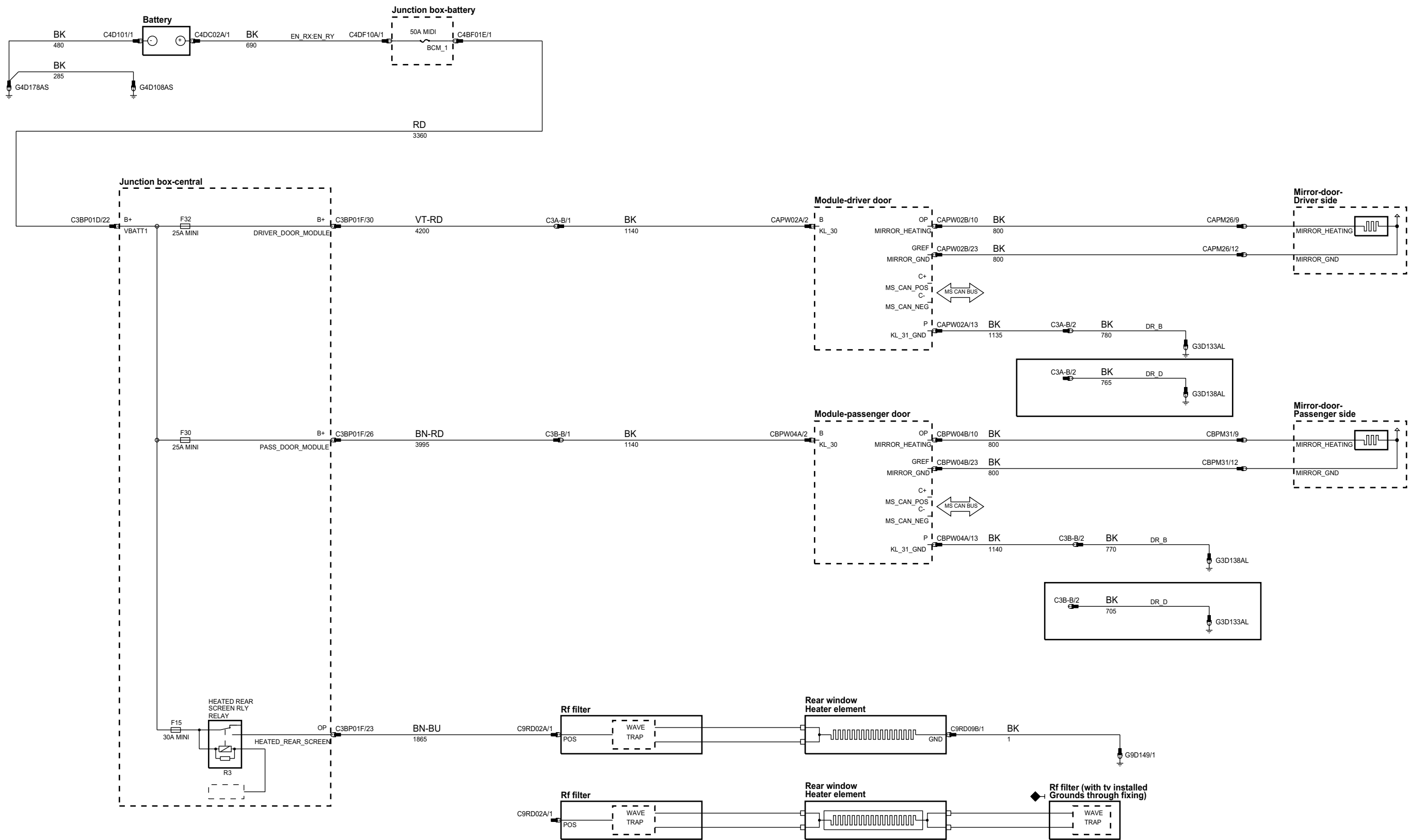
phaw93-70295-e-a6



phaw93-70131-a-a6

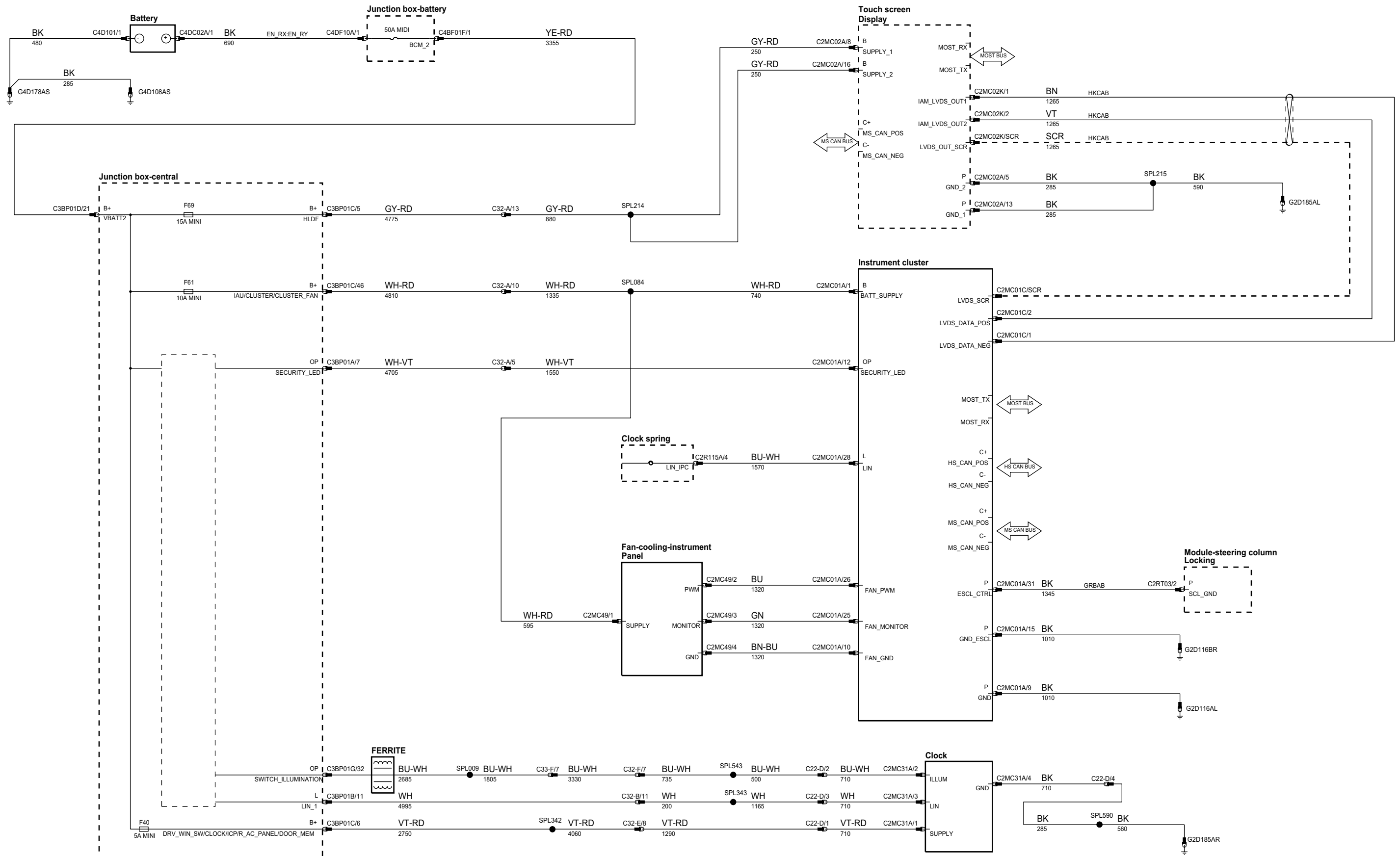


phaw93-70132-a-a6

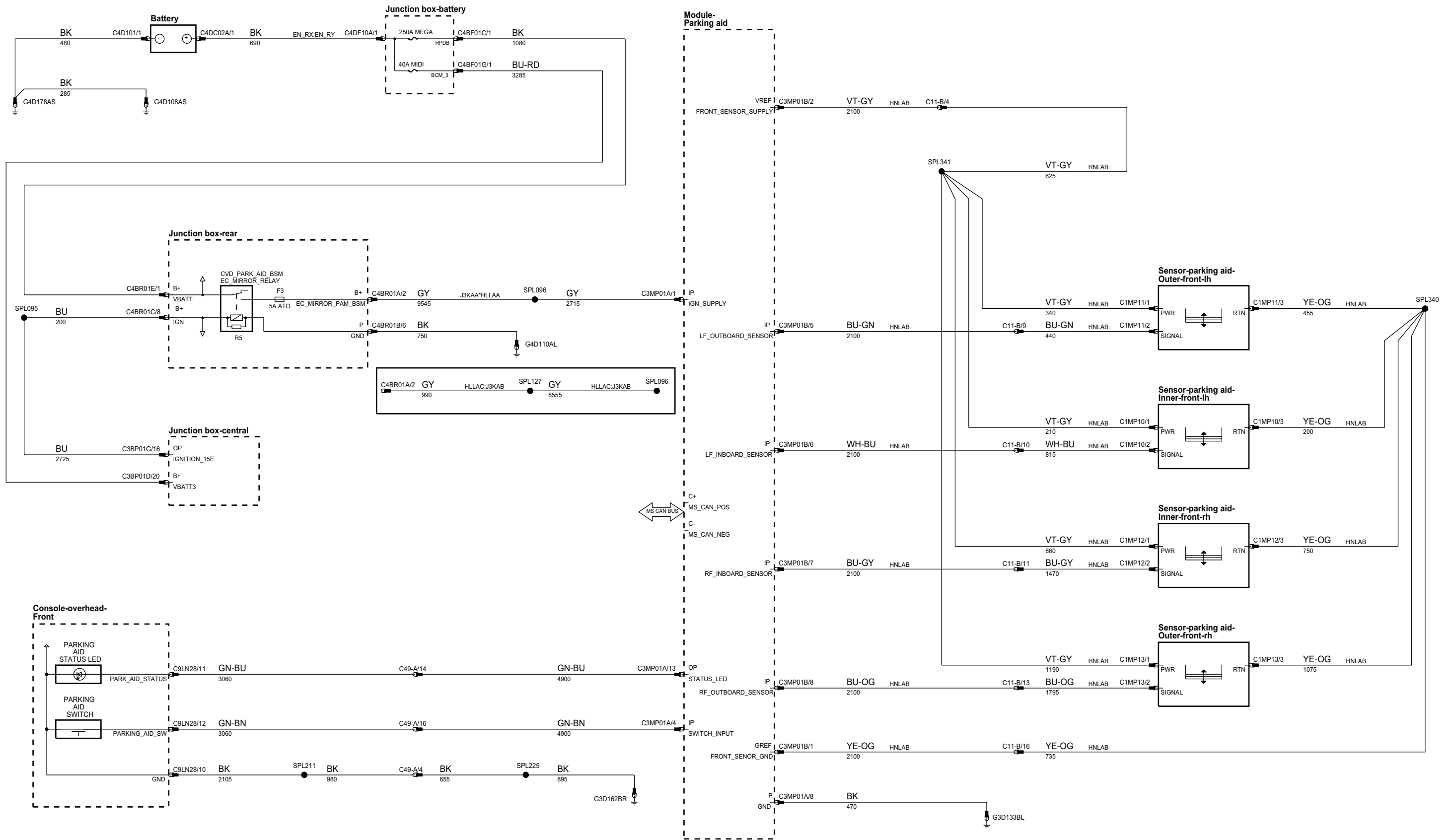


413-01 - INSTRUMENT CLUSTER

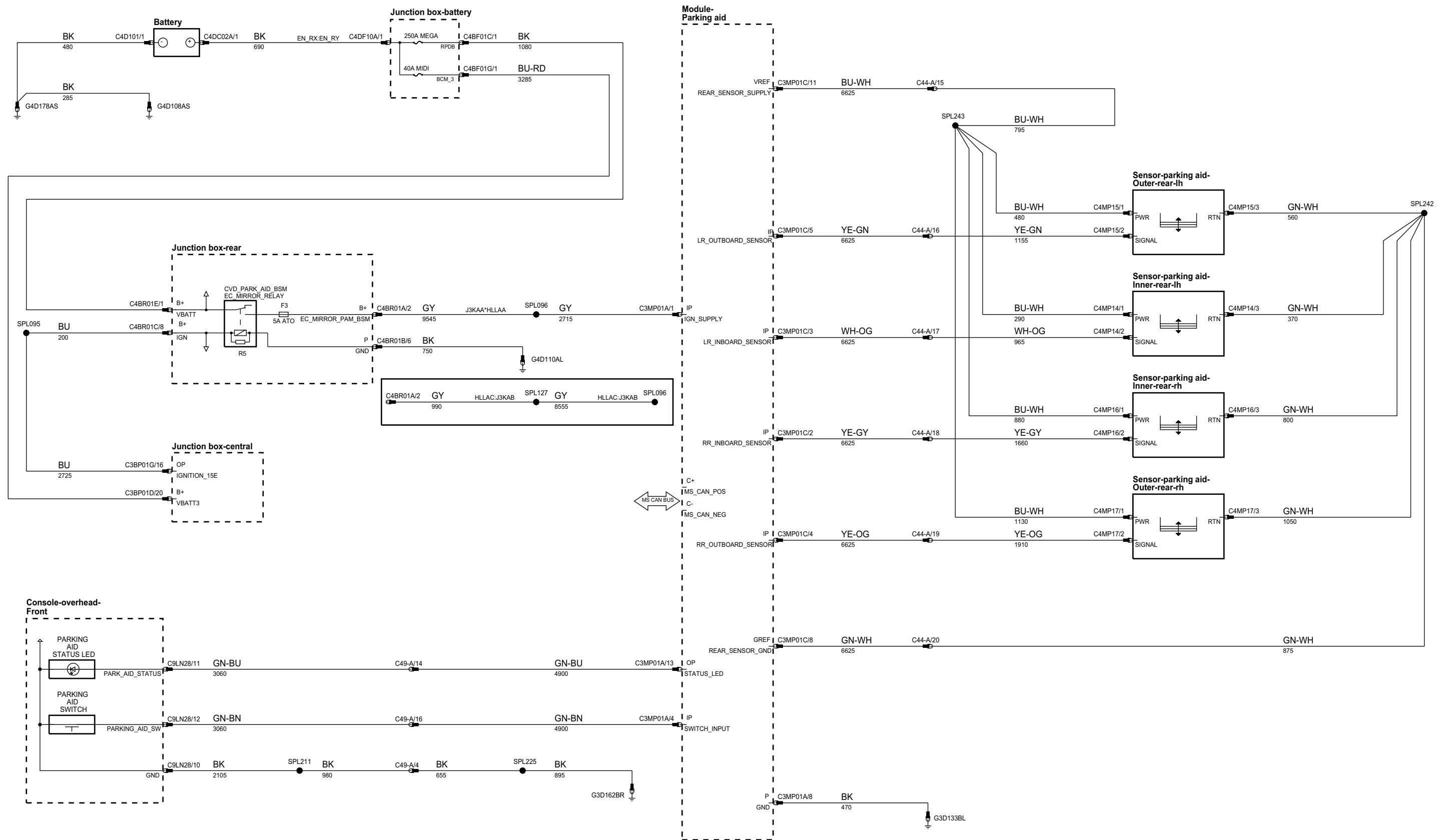
phaw93-70210-b-a6



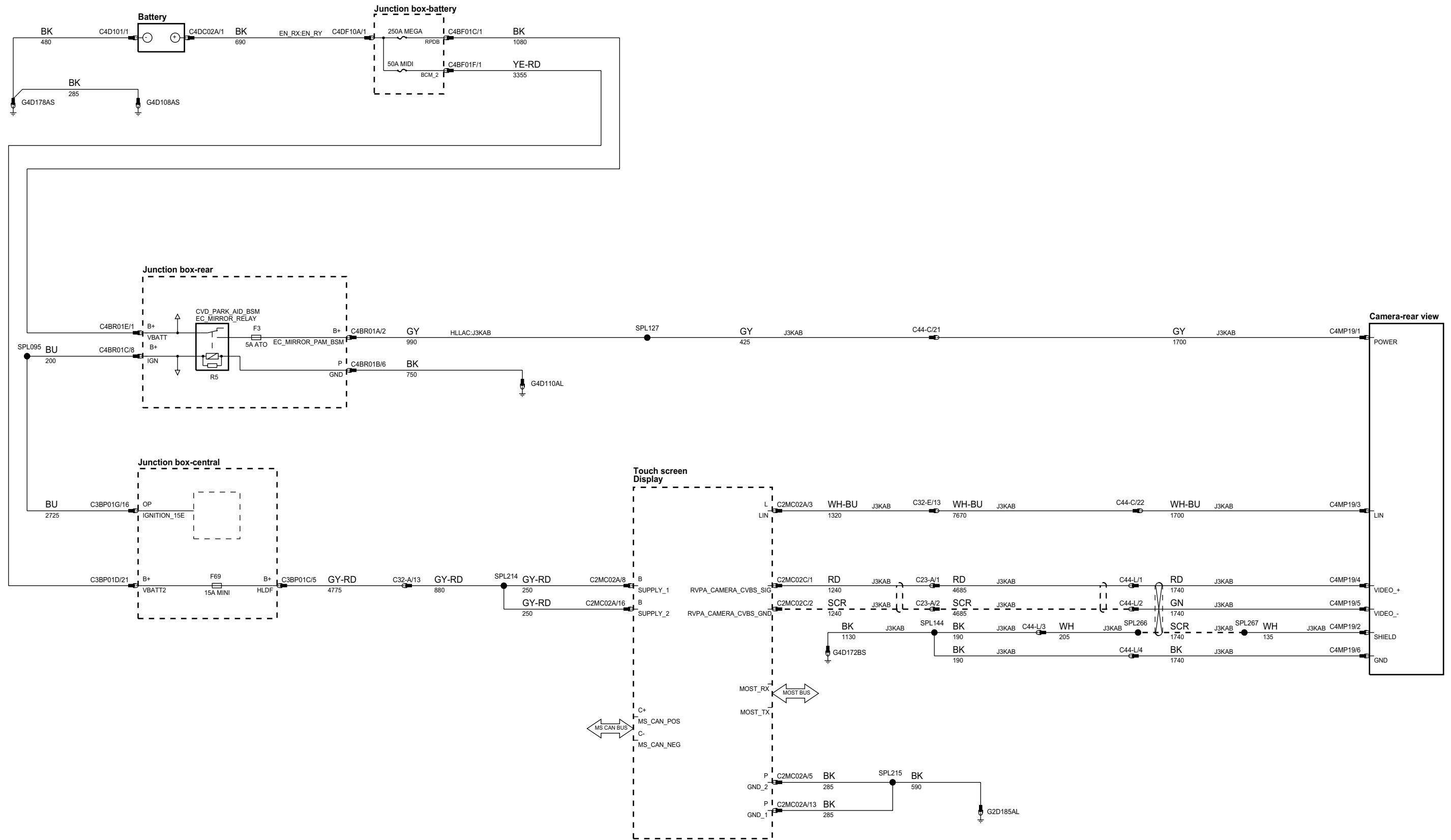
phaw93-70481-b-a6



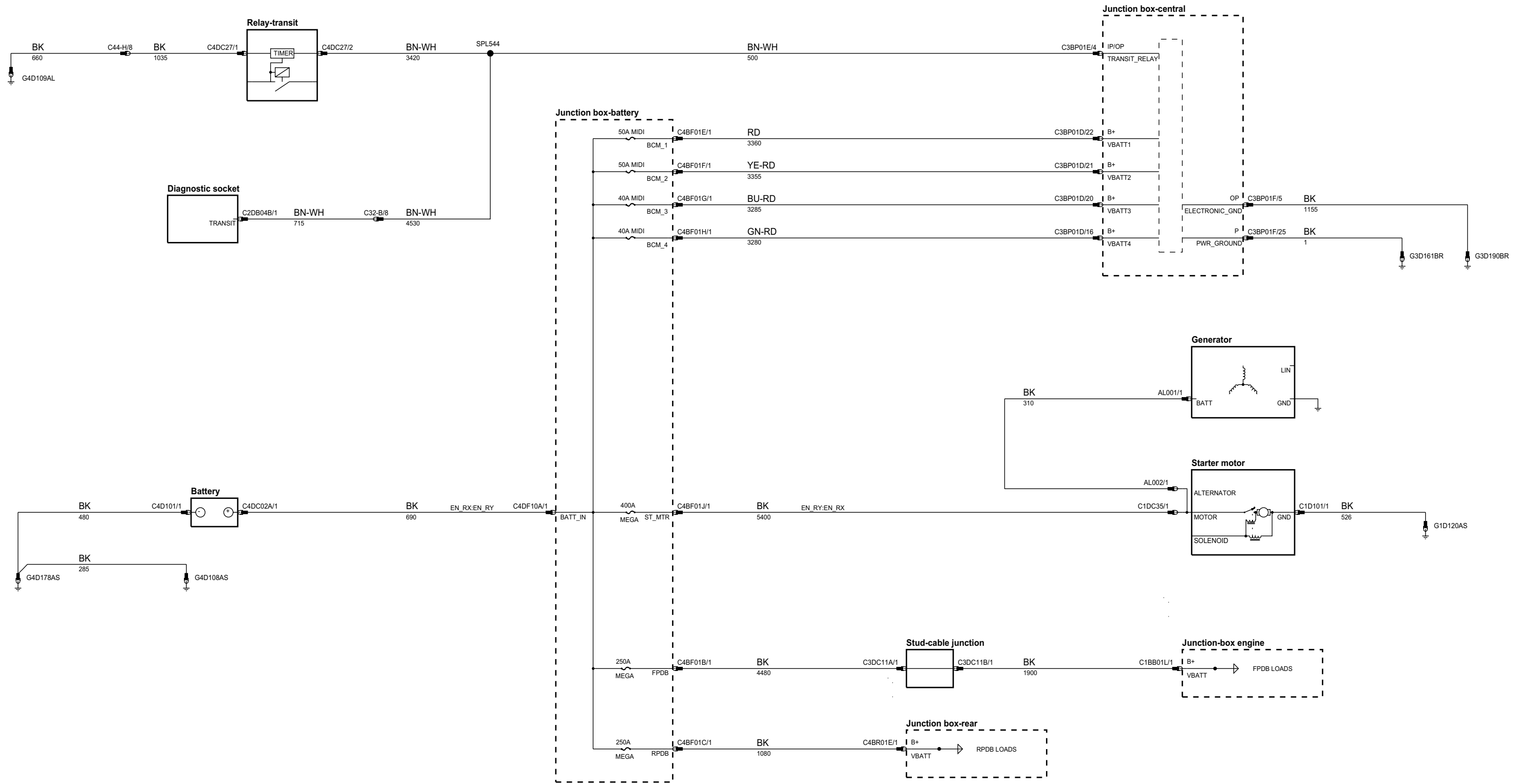
phaw93-70481-a-a6



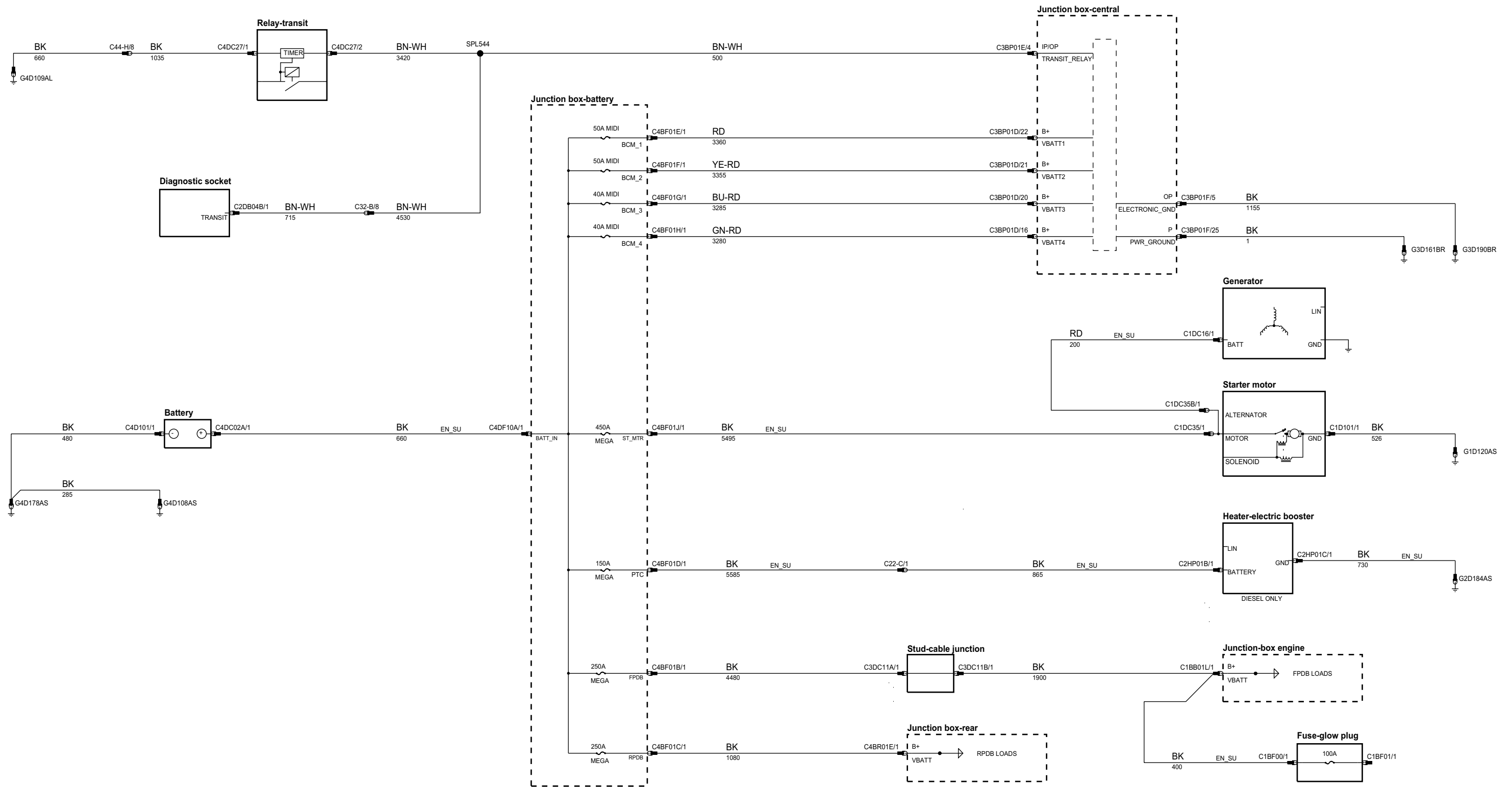
phaw93-70481-c-a6



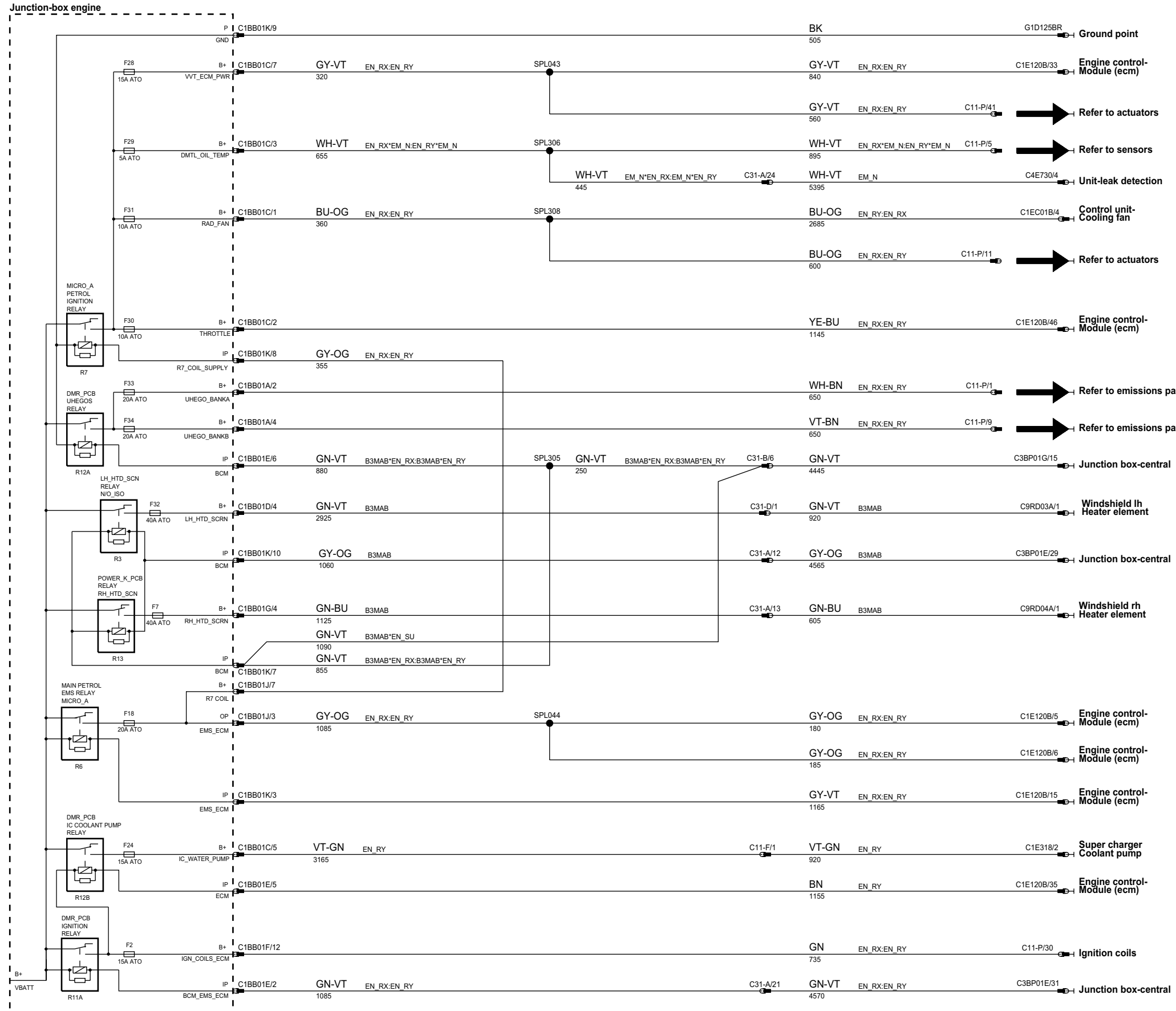
phaw93-70010-a-a6



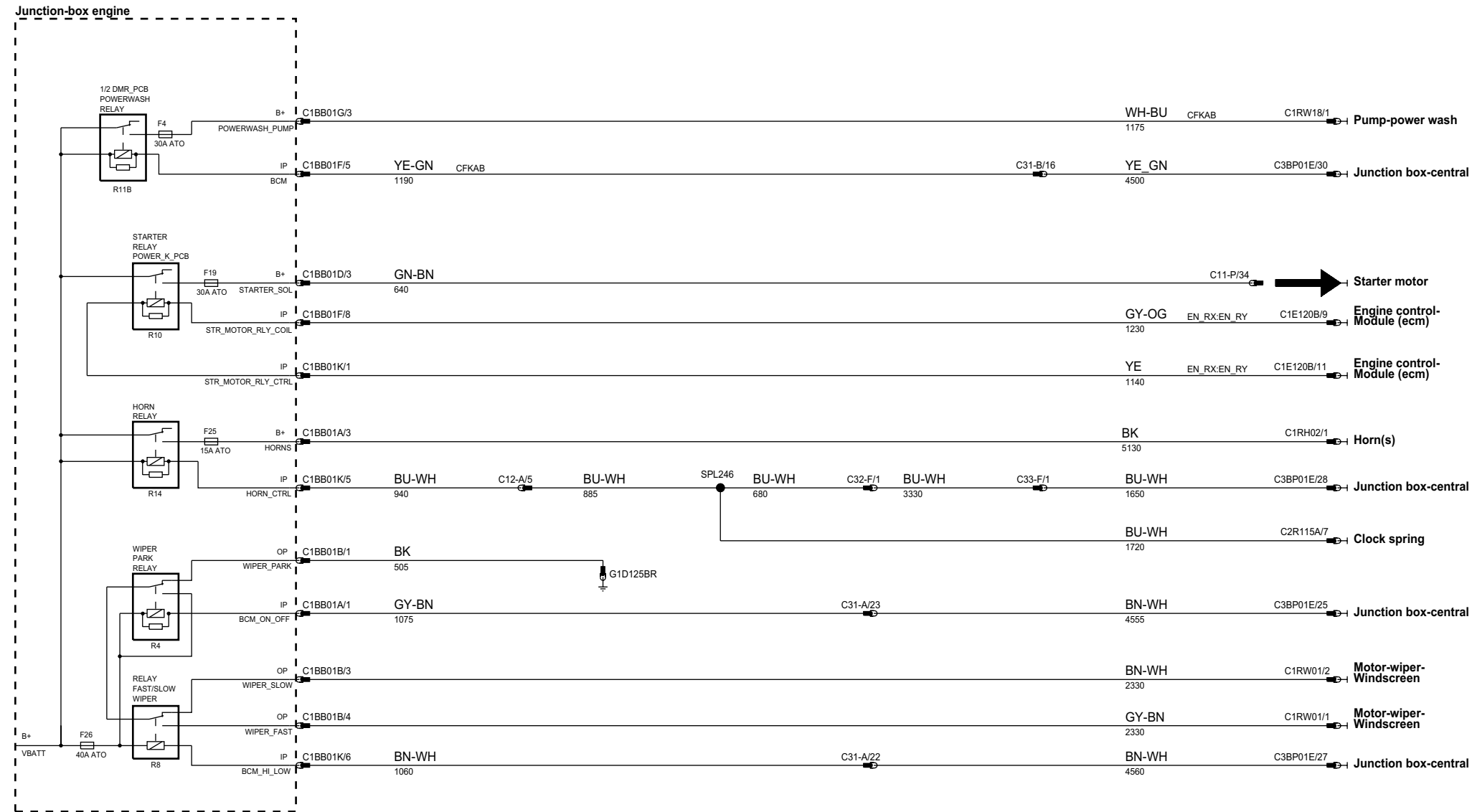
phaw93-70010-b-a6



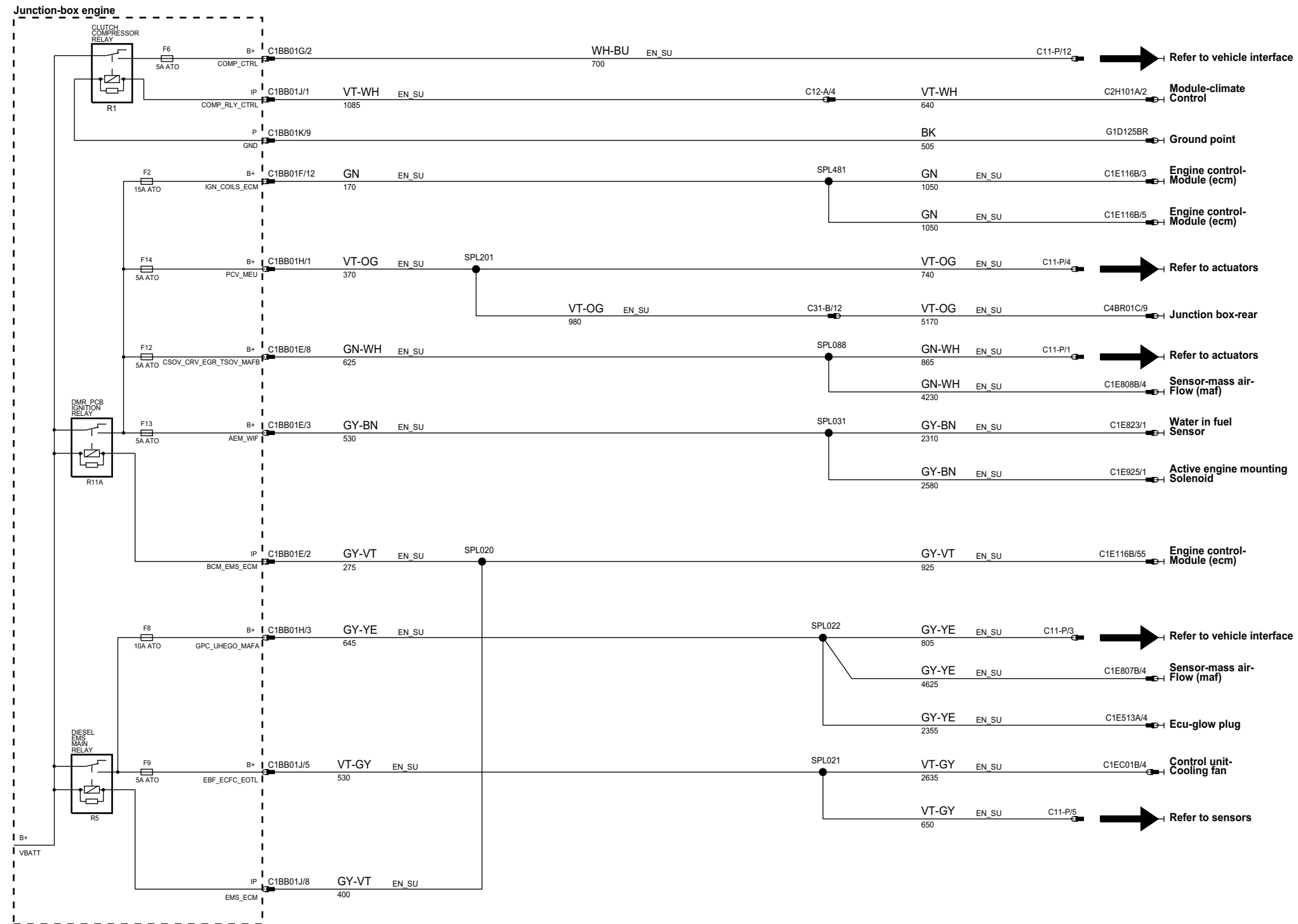
phaw93-70010-c-a6



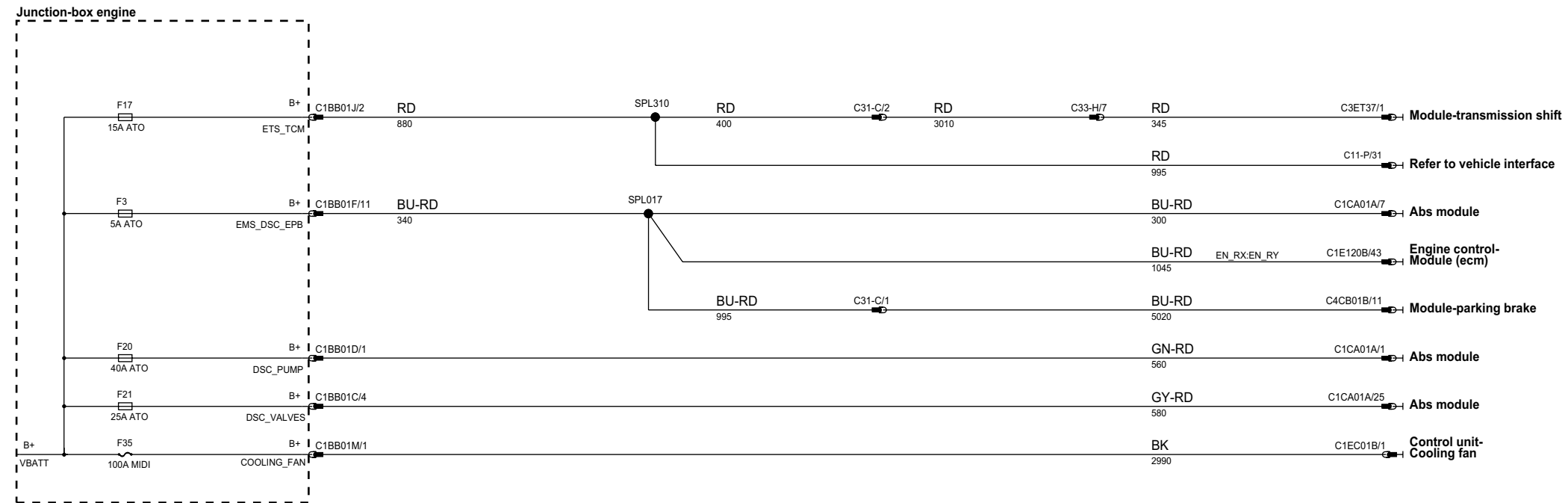
phaw93-70010-e-a6



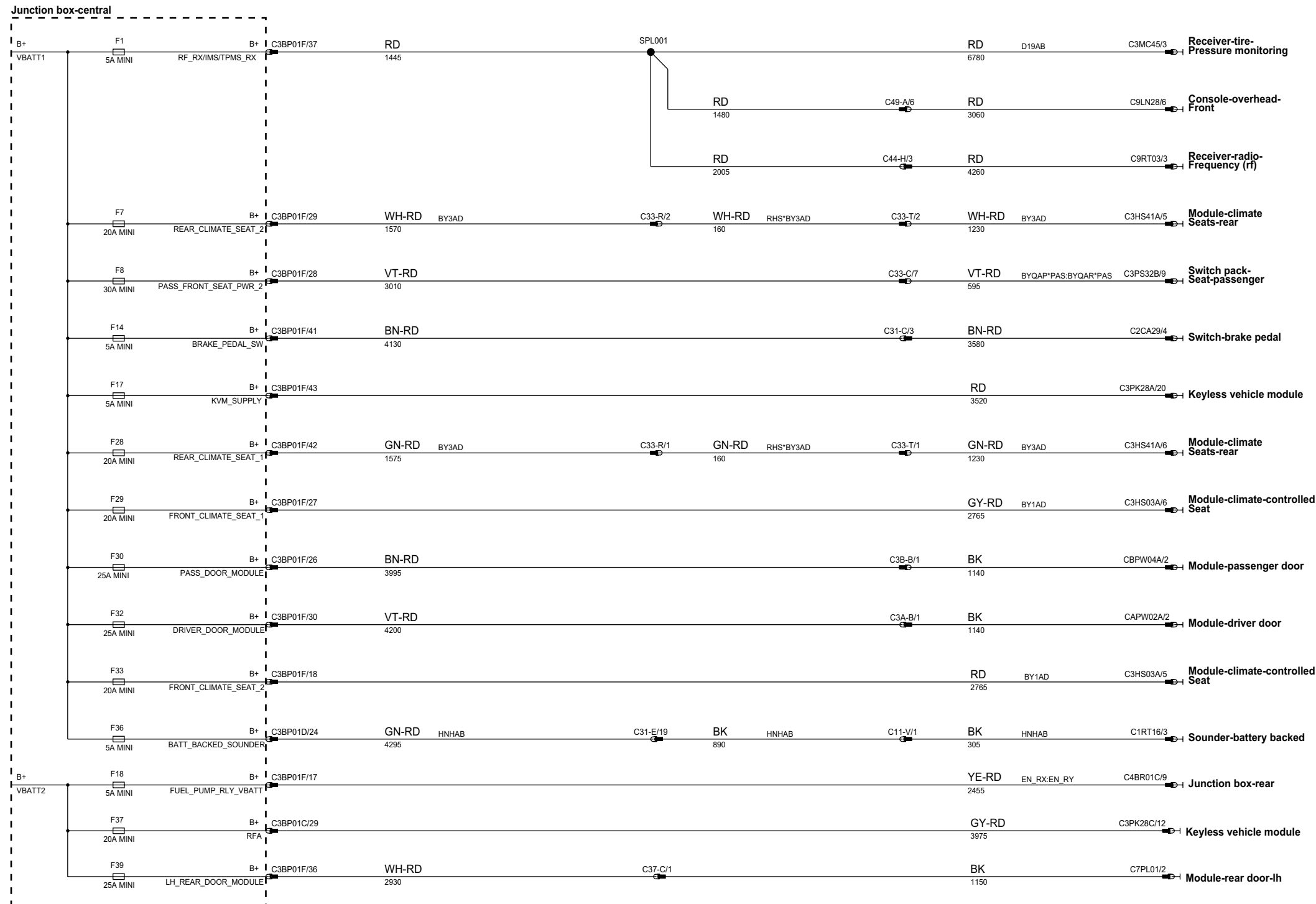
phaw93-70010-d-a6



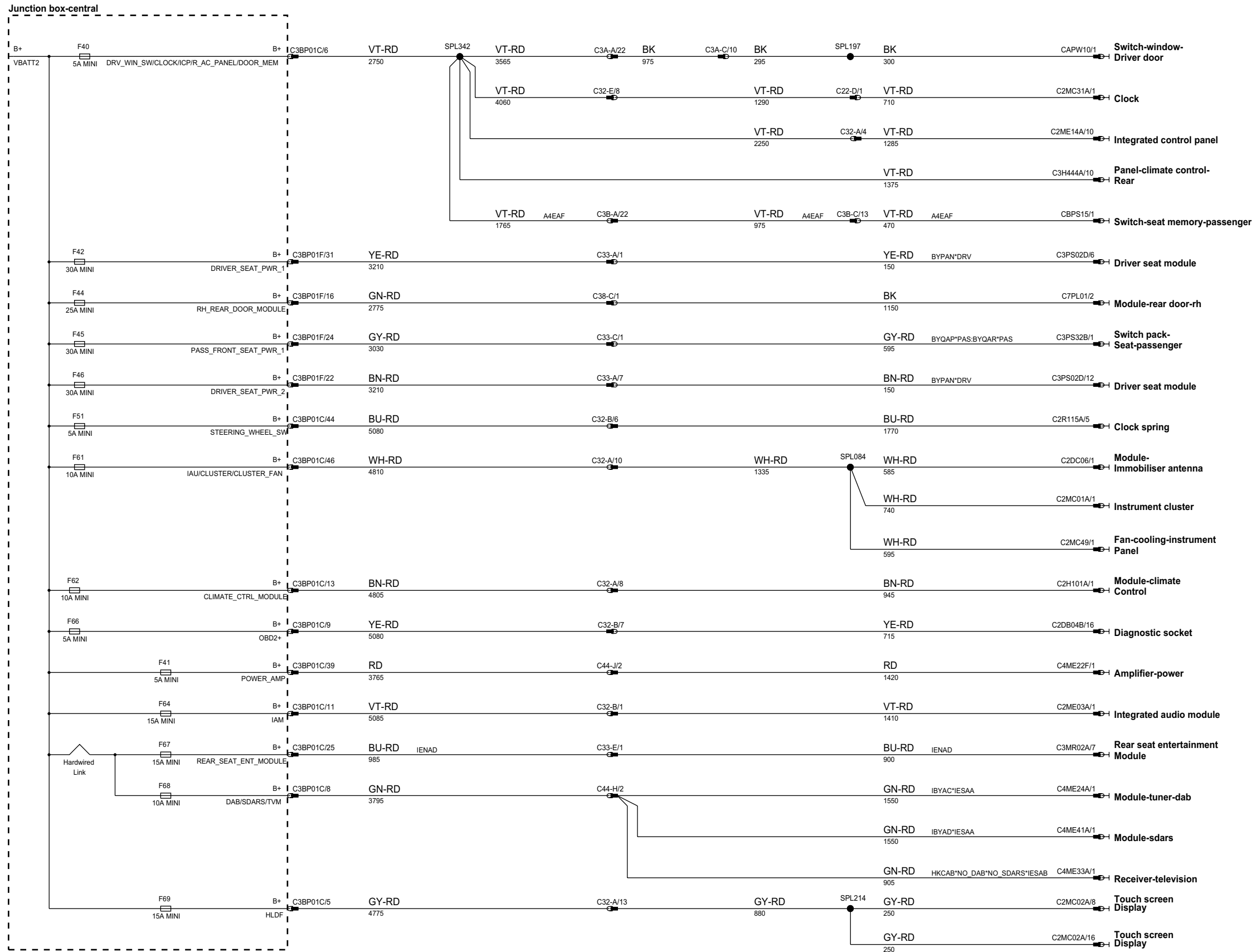
phaw93-70010-f-a6



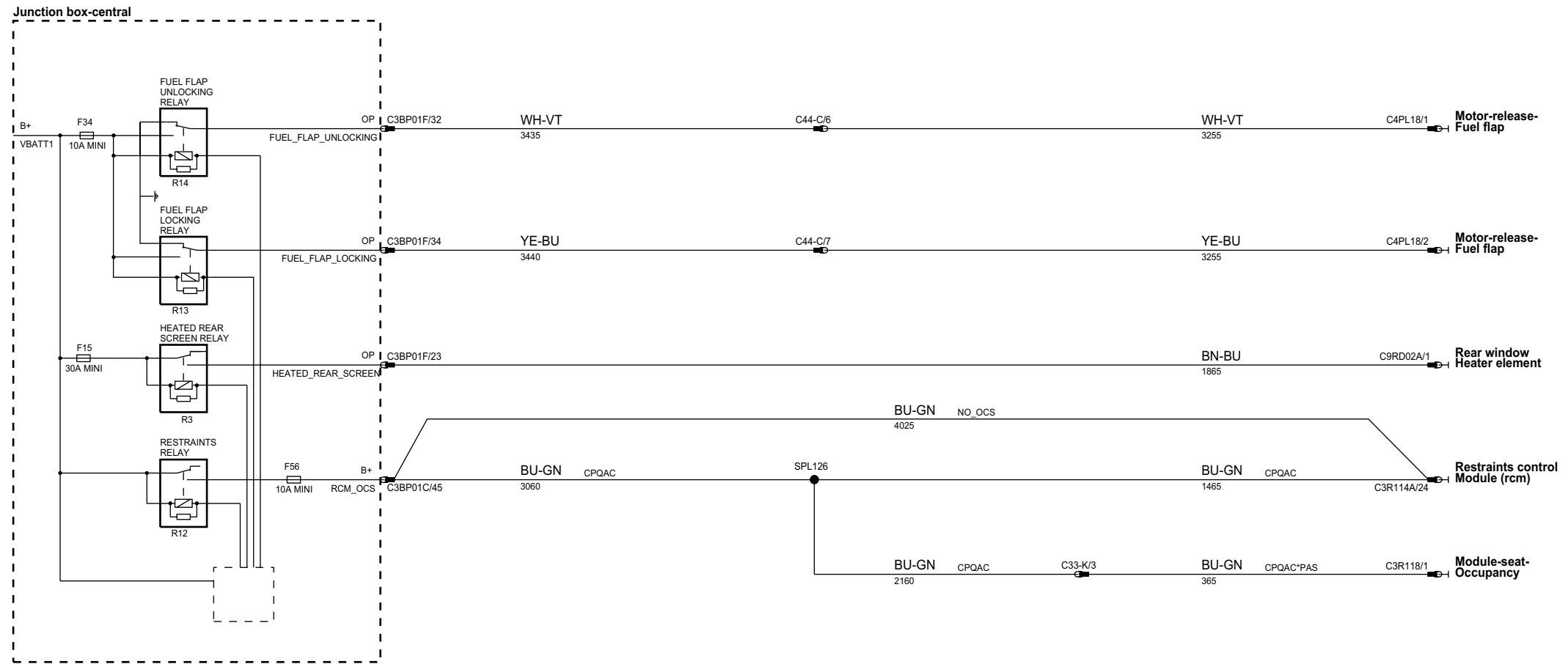
phaw93-70010-k-a6



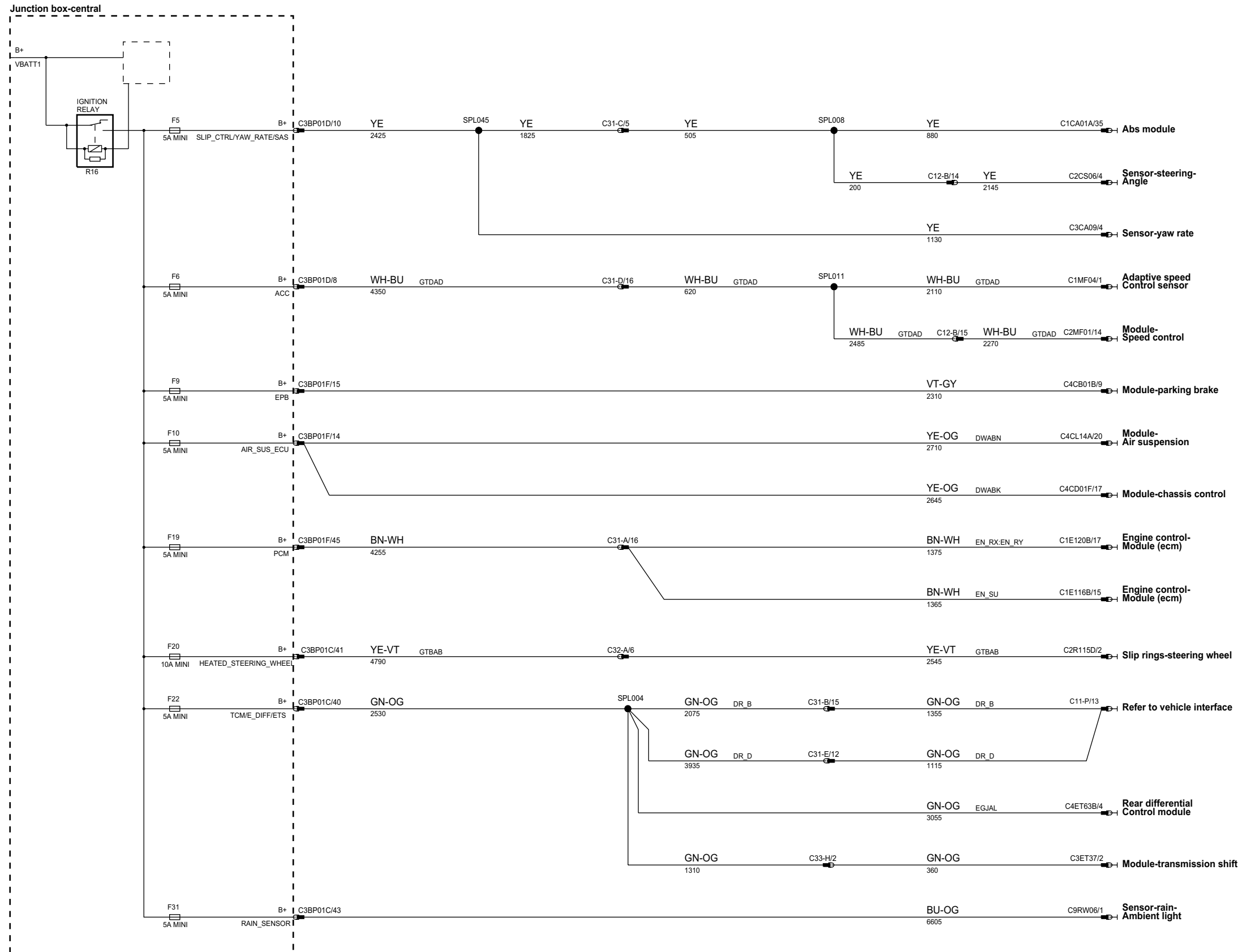
phaw93-70010-1-a6



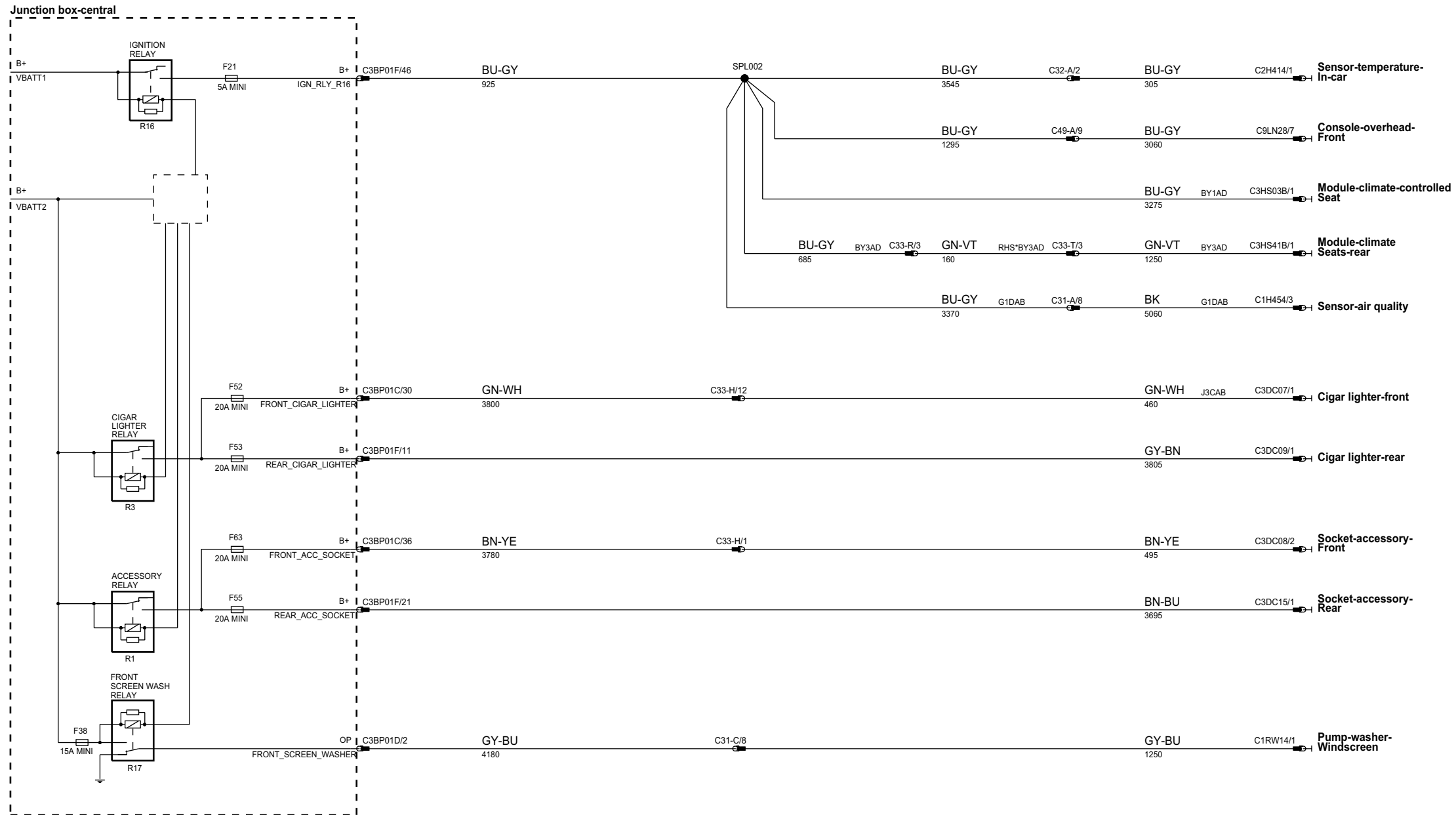
phaw93-70010-m-a6



phaw93-70010-n-a6

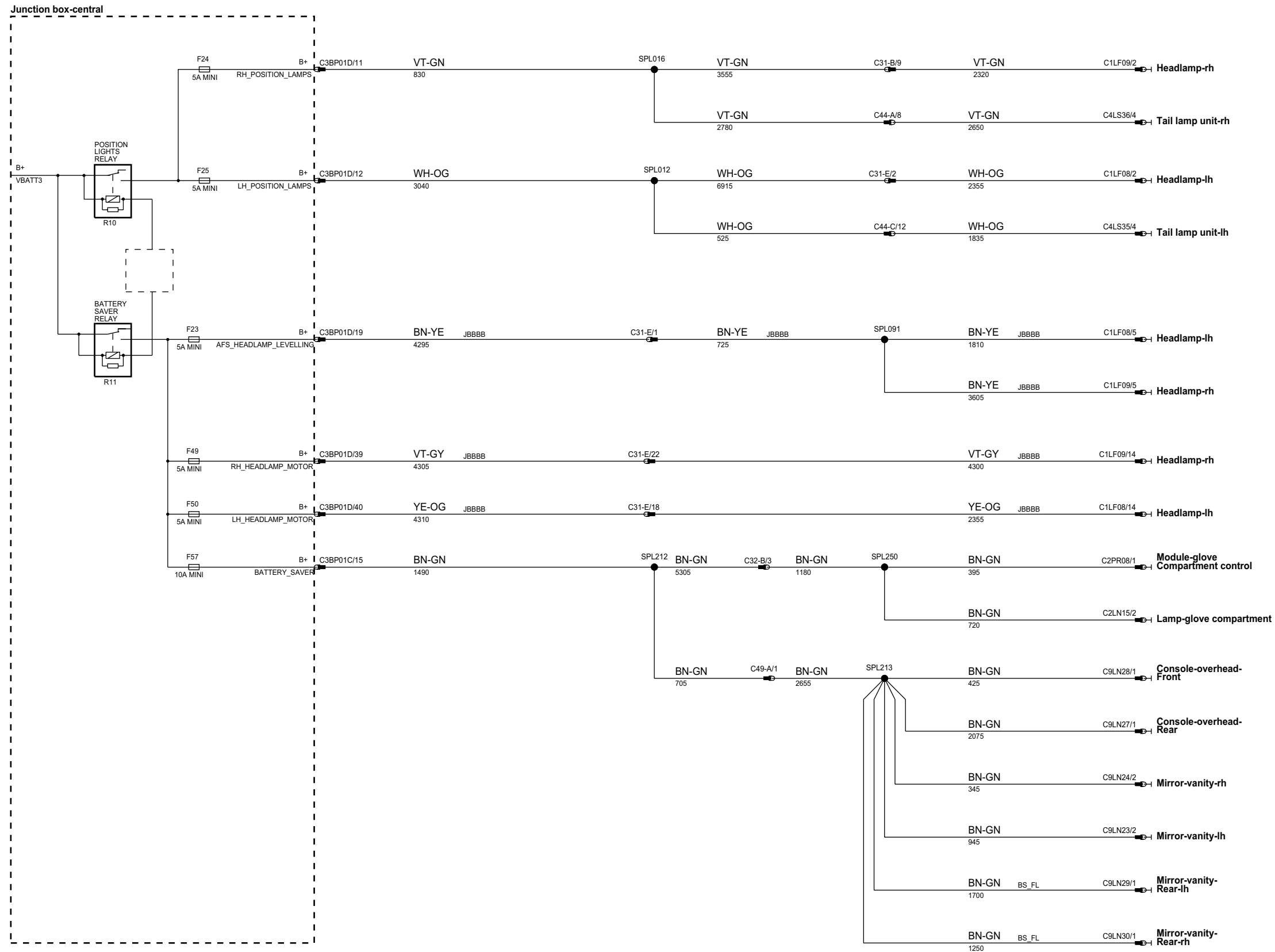


phaw93-70010-p-a6

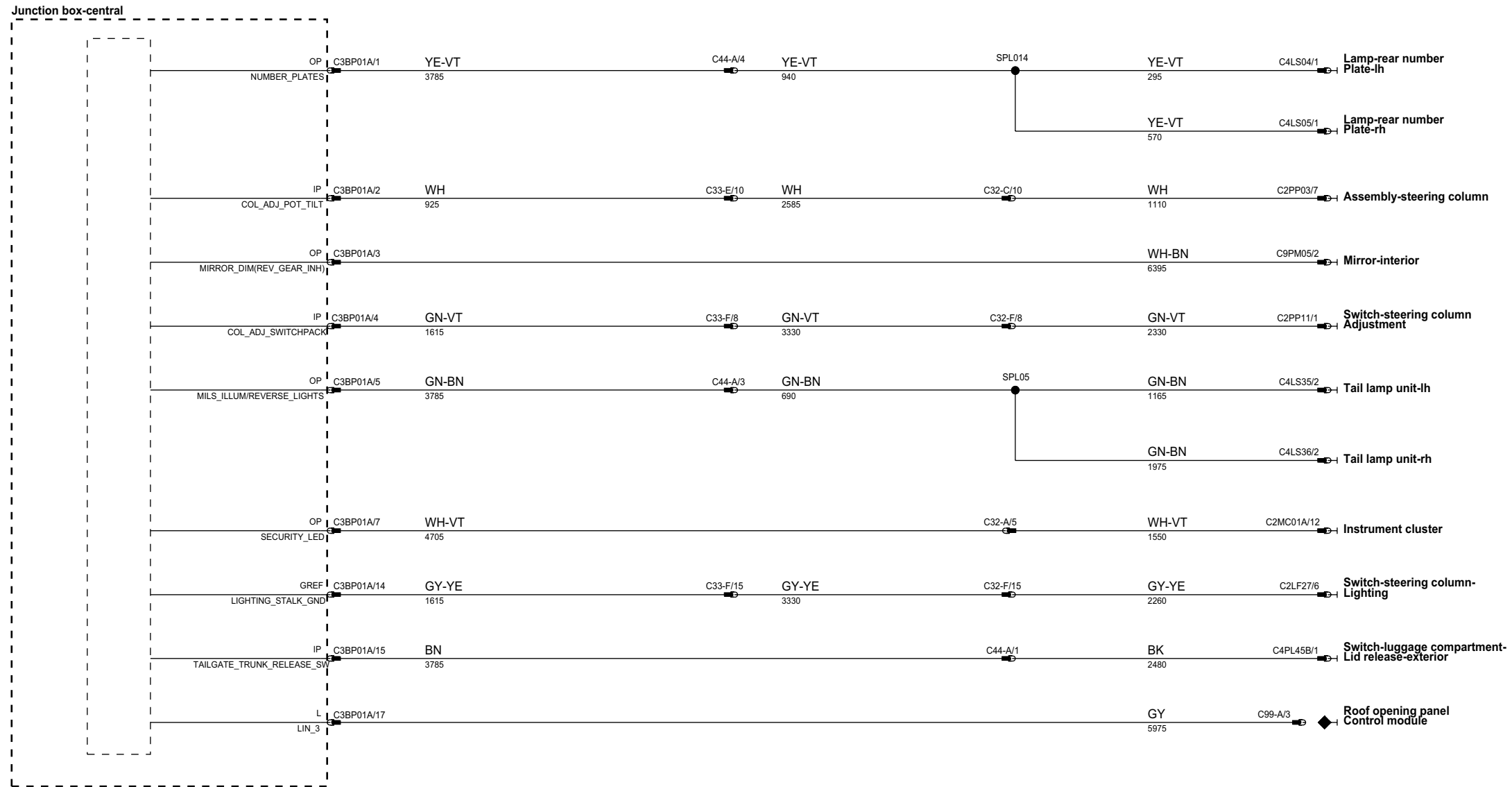


x

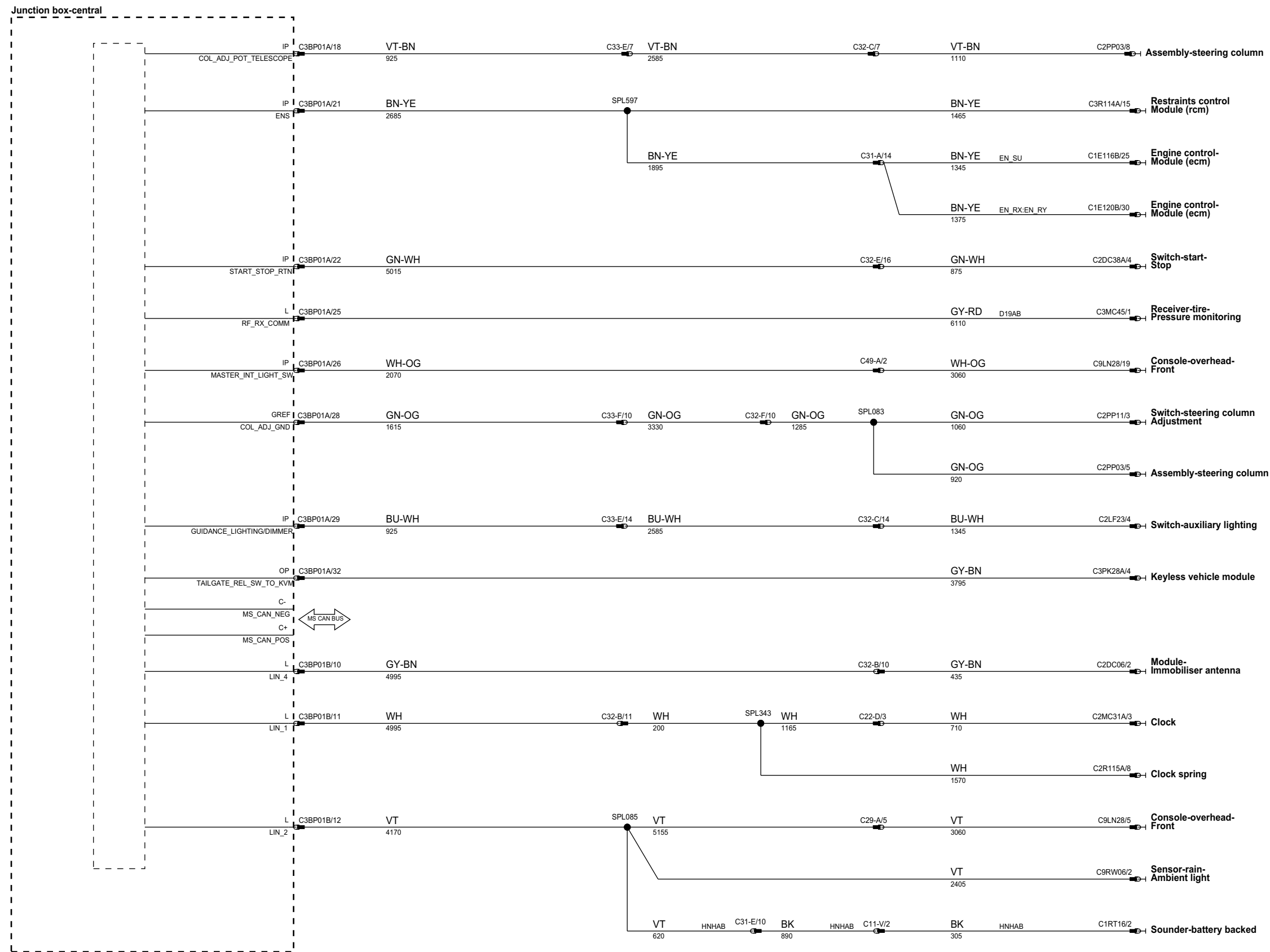
phaw93-70010-r-a6



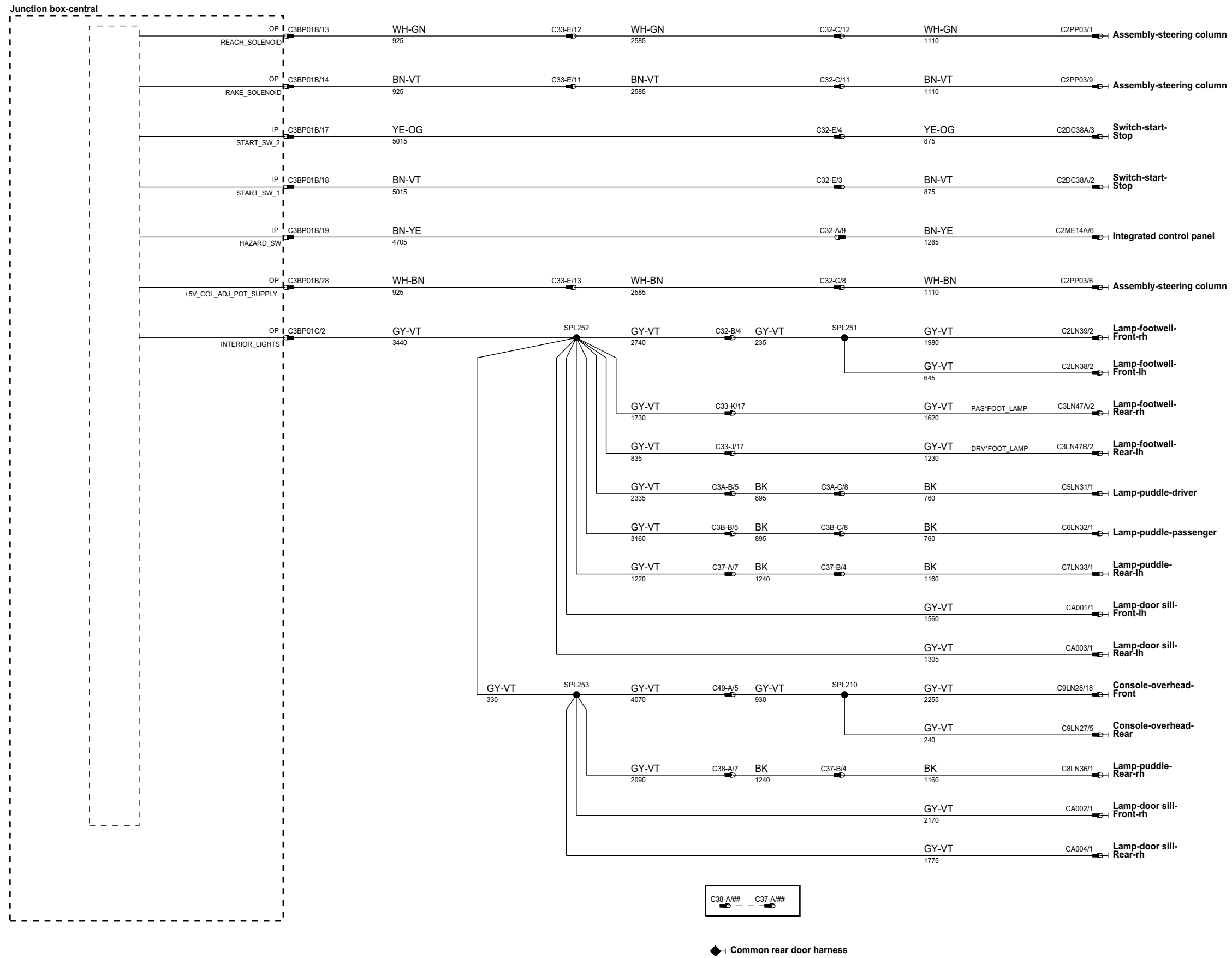
phaw93-70010-s-a6



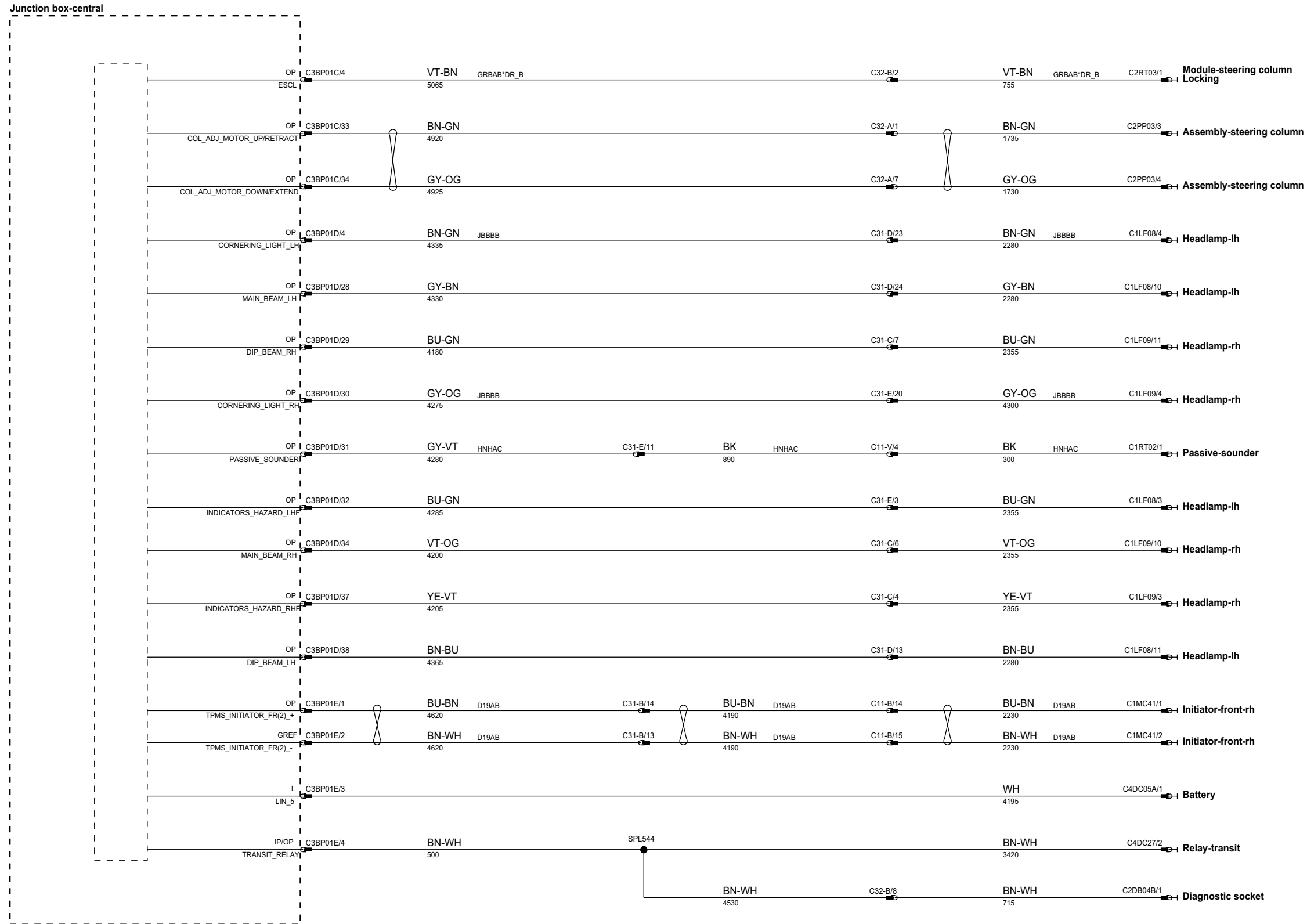
phaw93-700104-a6



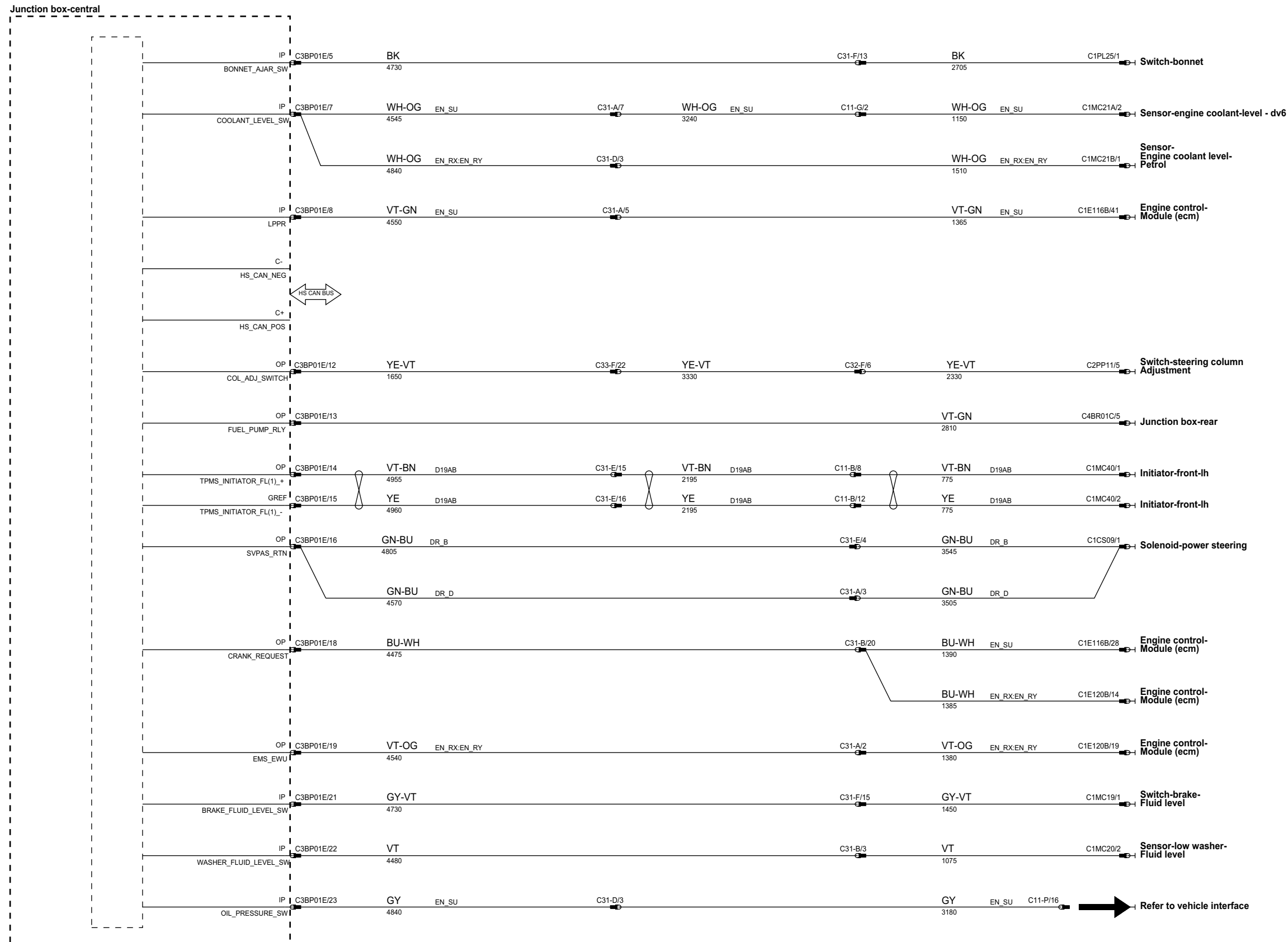
phaw93-70010-u-a6



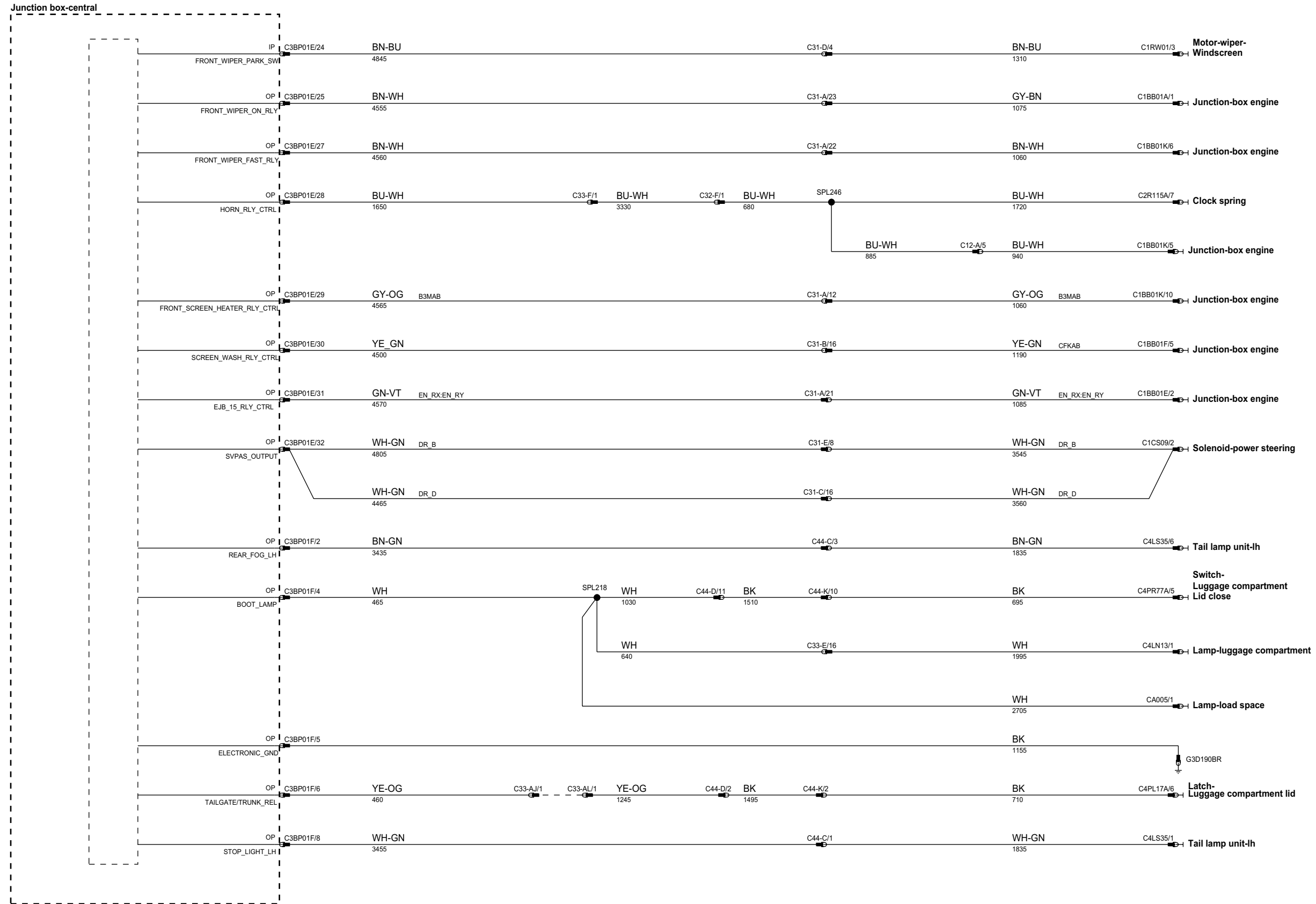
phaw93-70010-v-a6



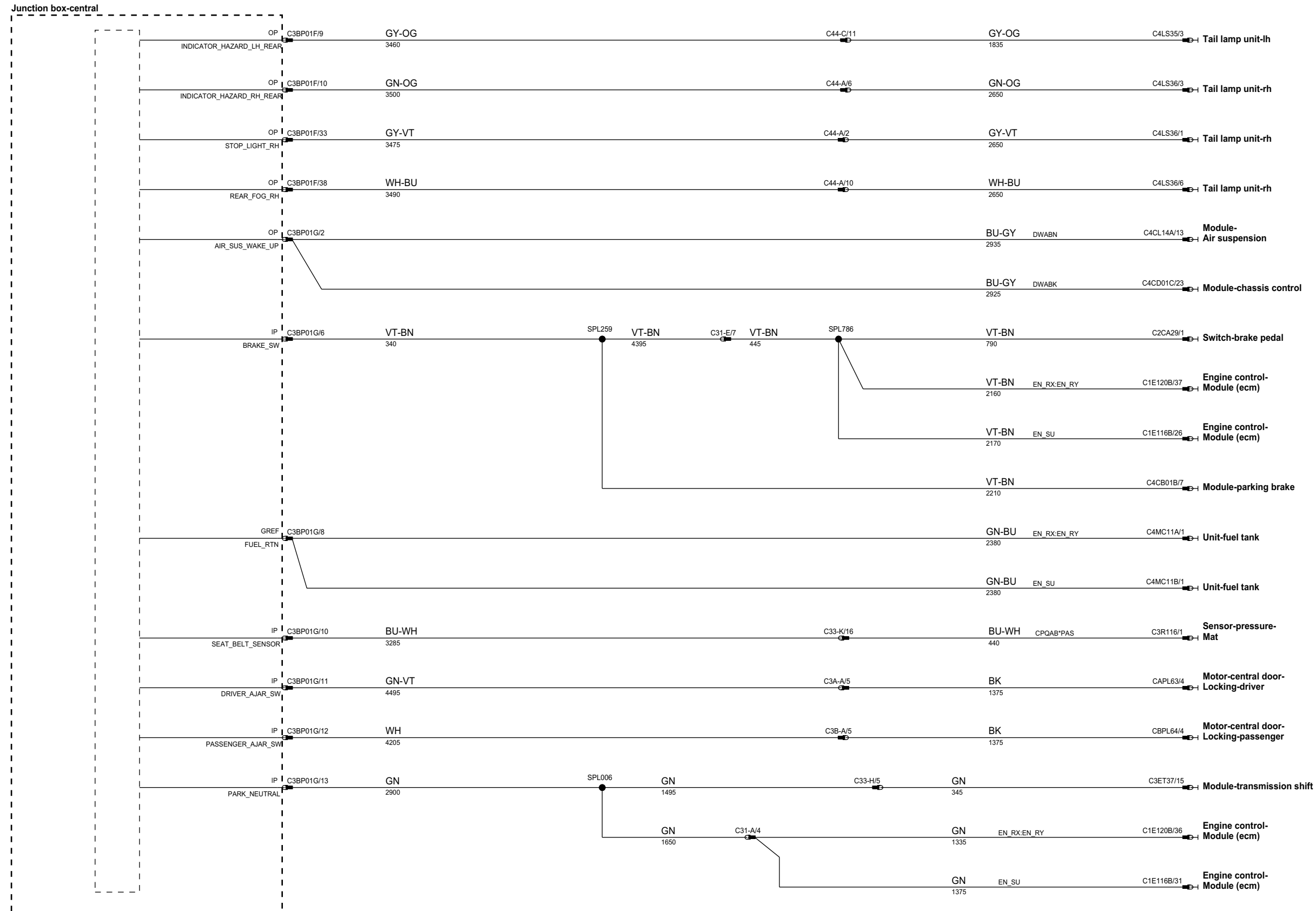
phaw93-70010-y-a6



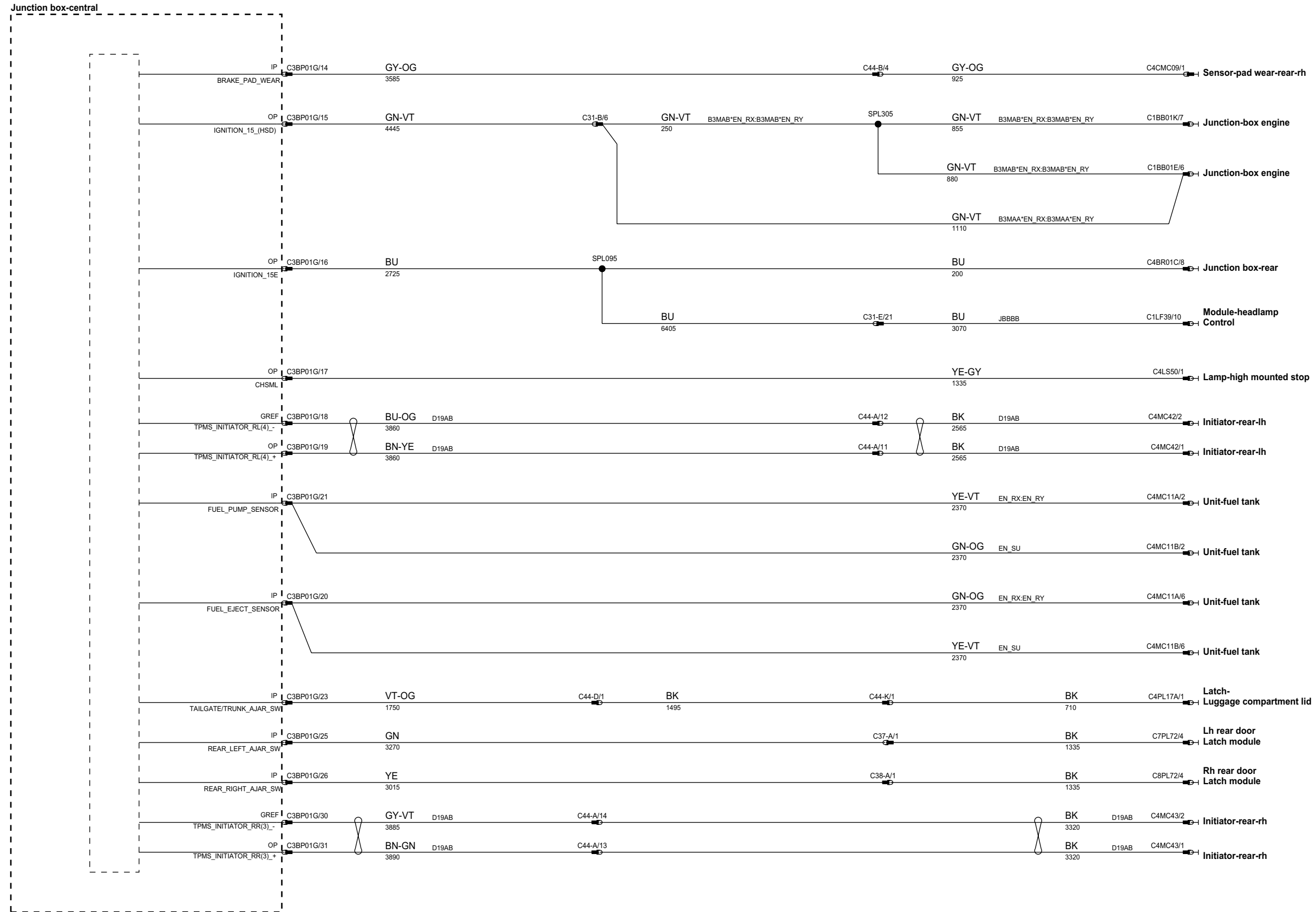
phaw93-70010-z-a6



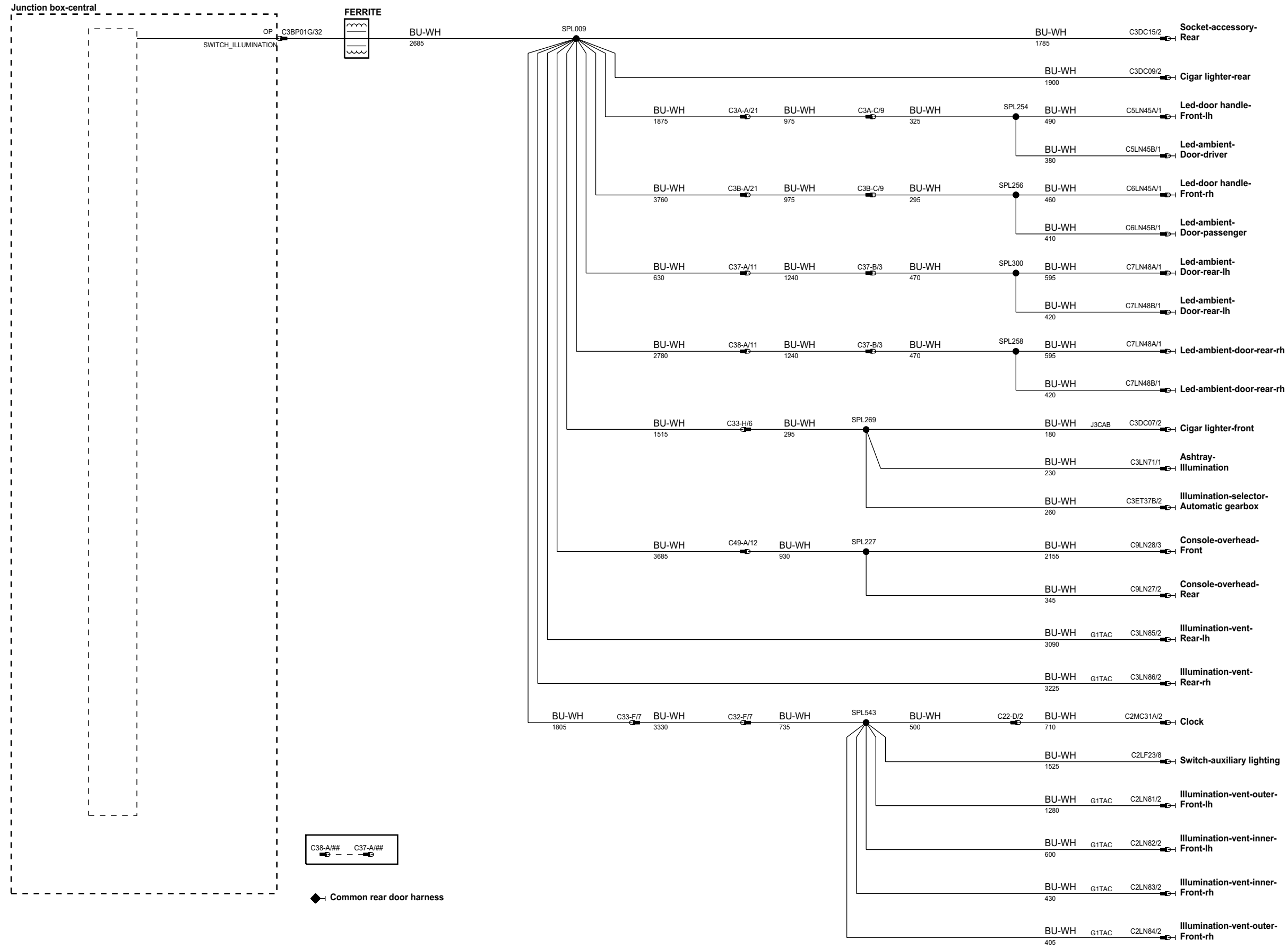
phaw93-70010-za-a6



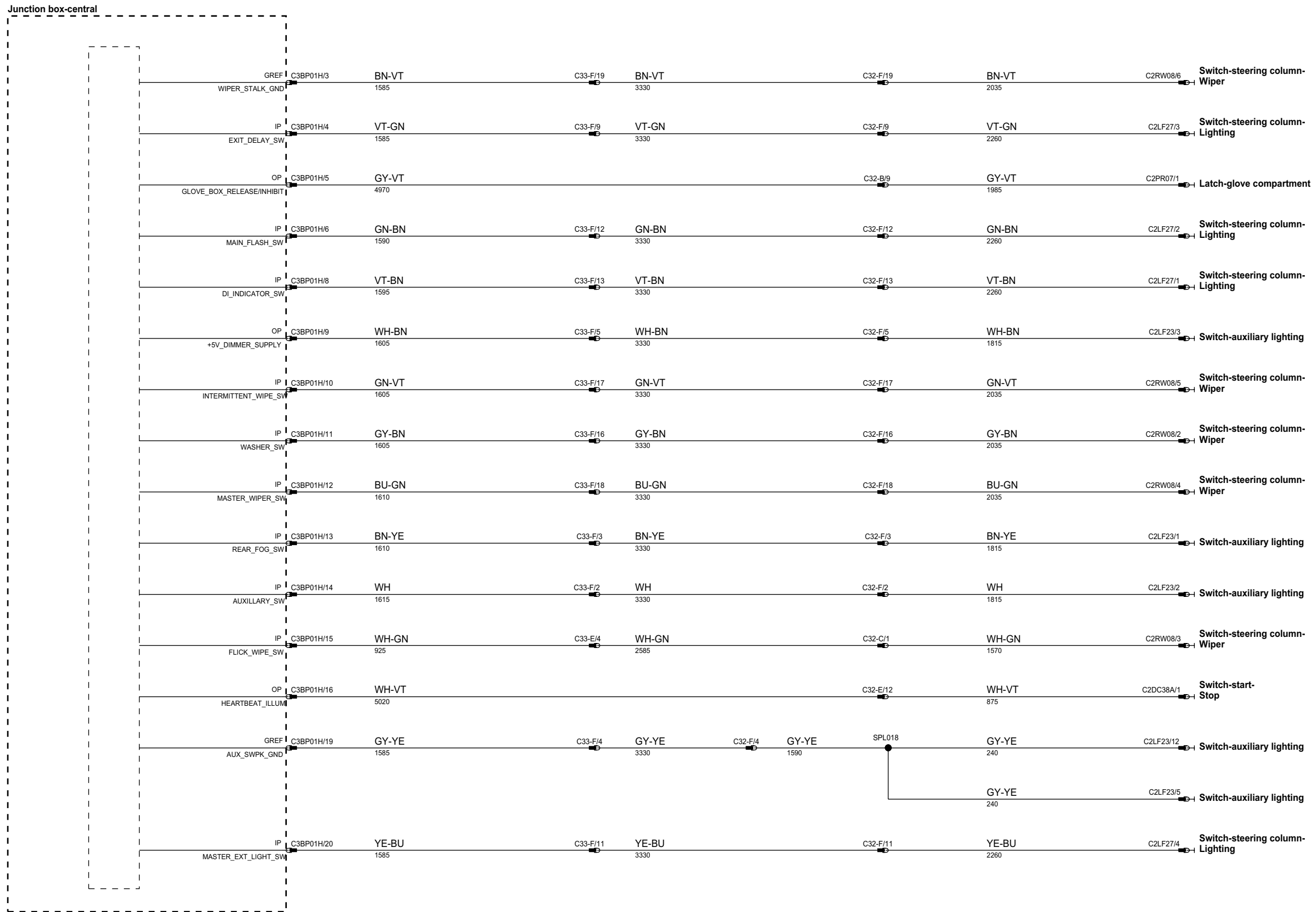
phaw93-70010-zb-a6



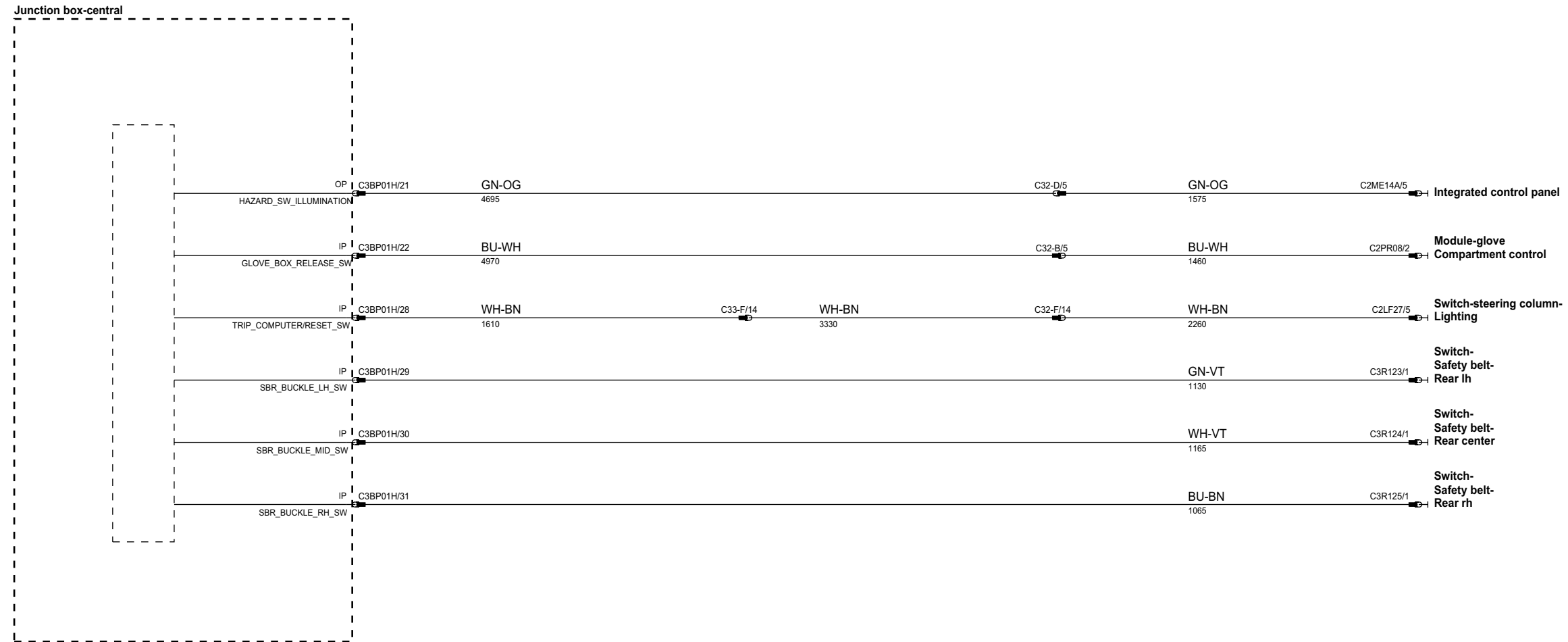
phaw93-70010-zc-a6



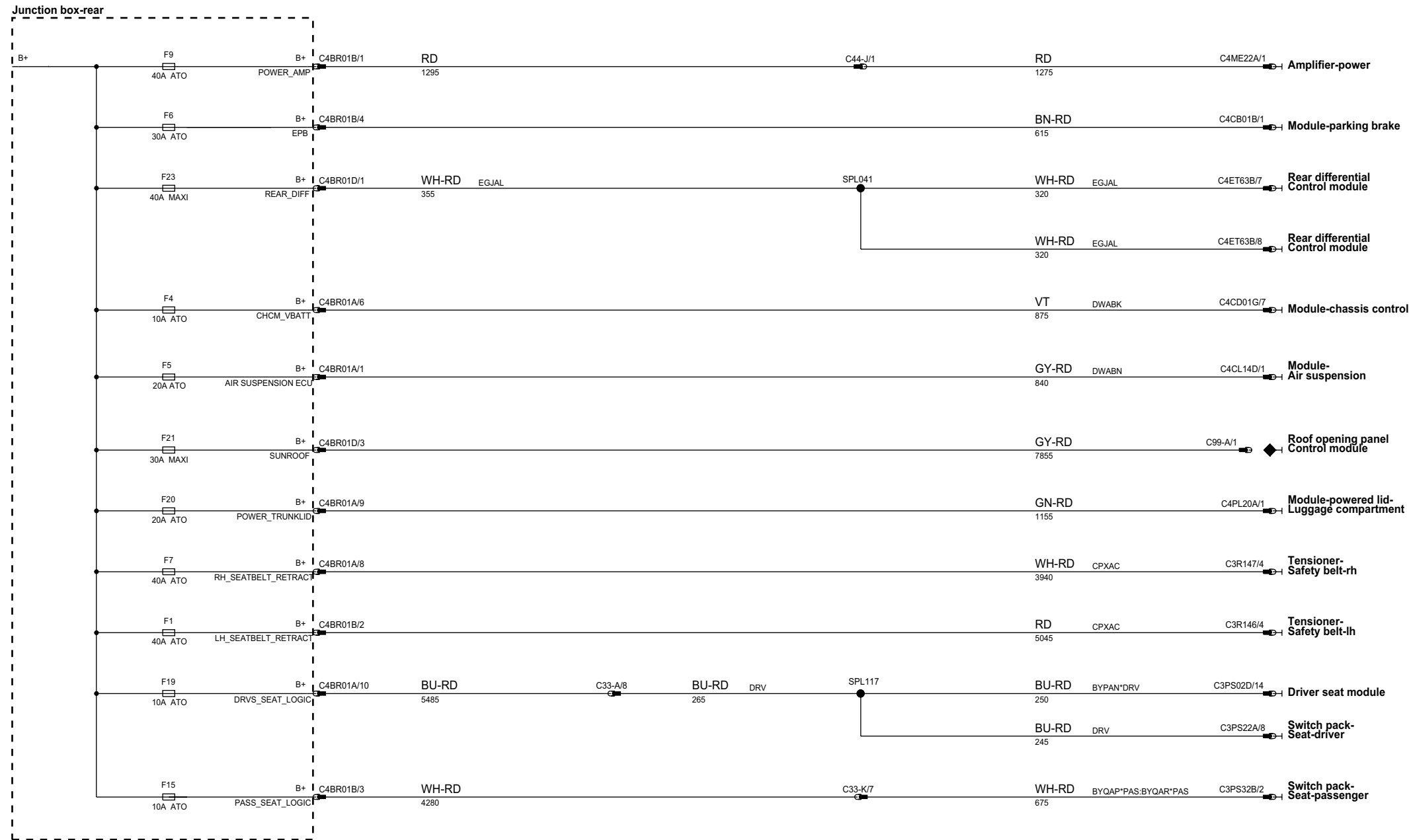
phaw93-70010-zd-a6



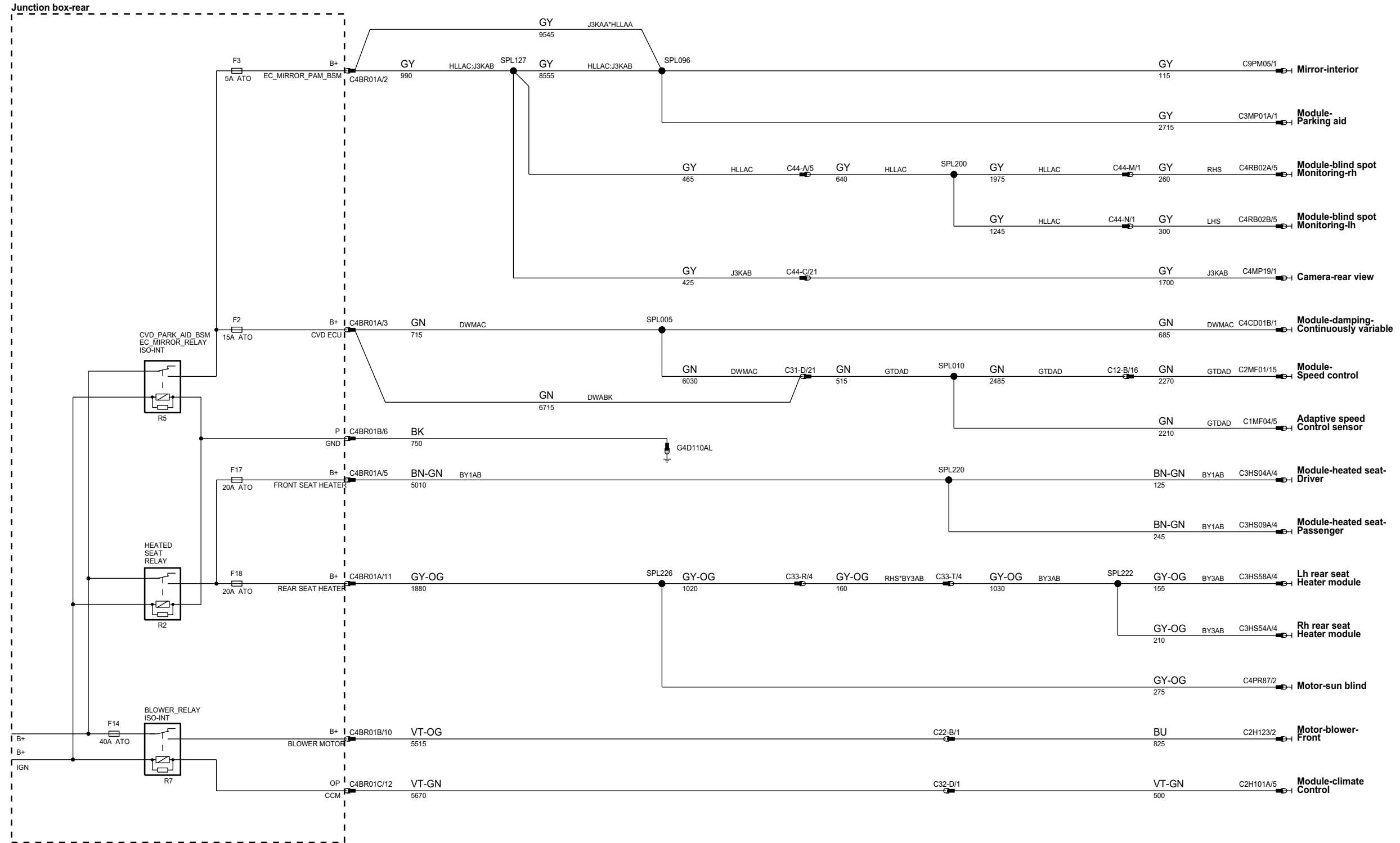
phaw93-70010-zb-a6



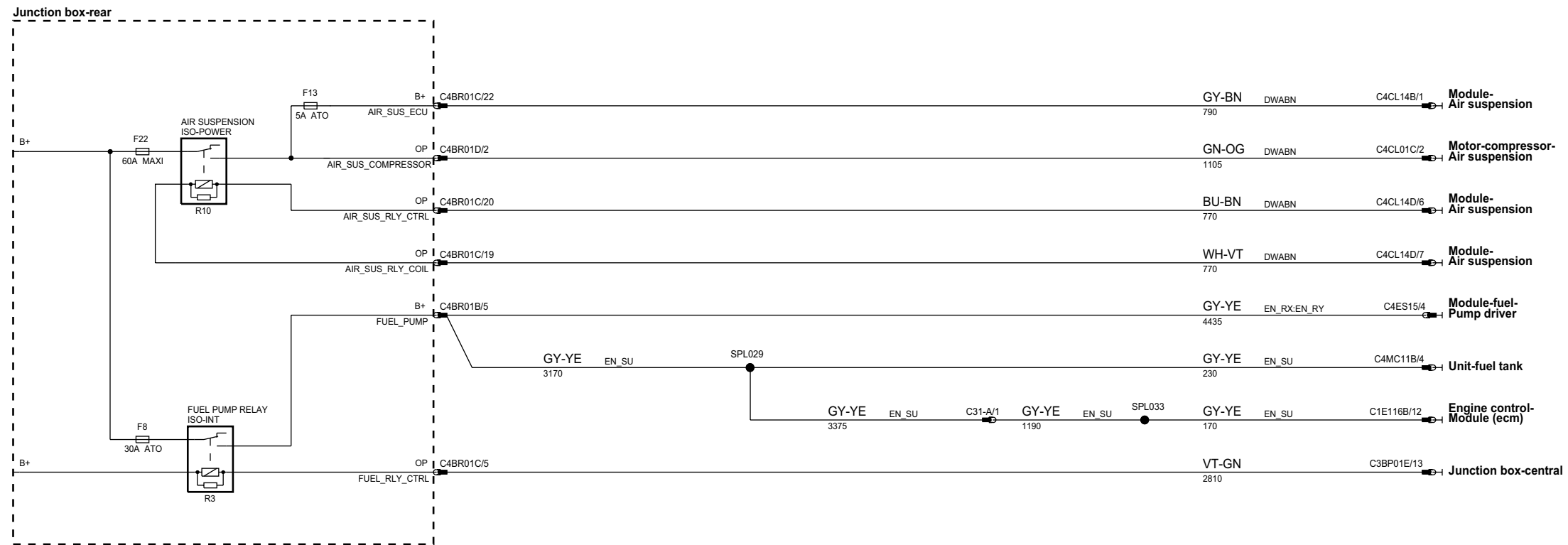
phaw93-70010-g-a6



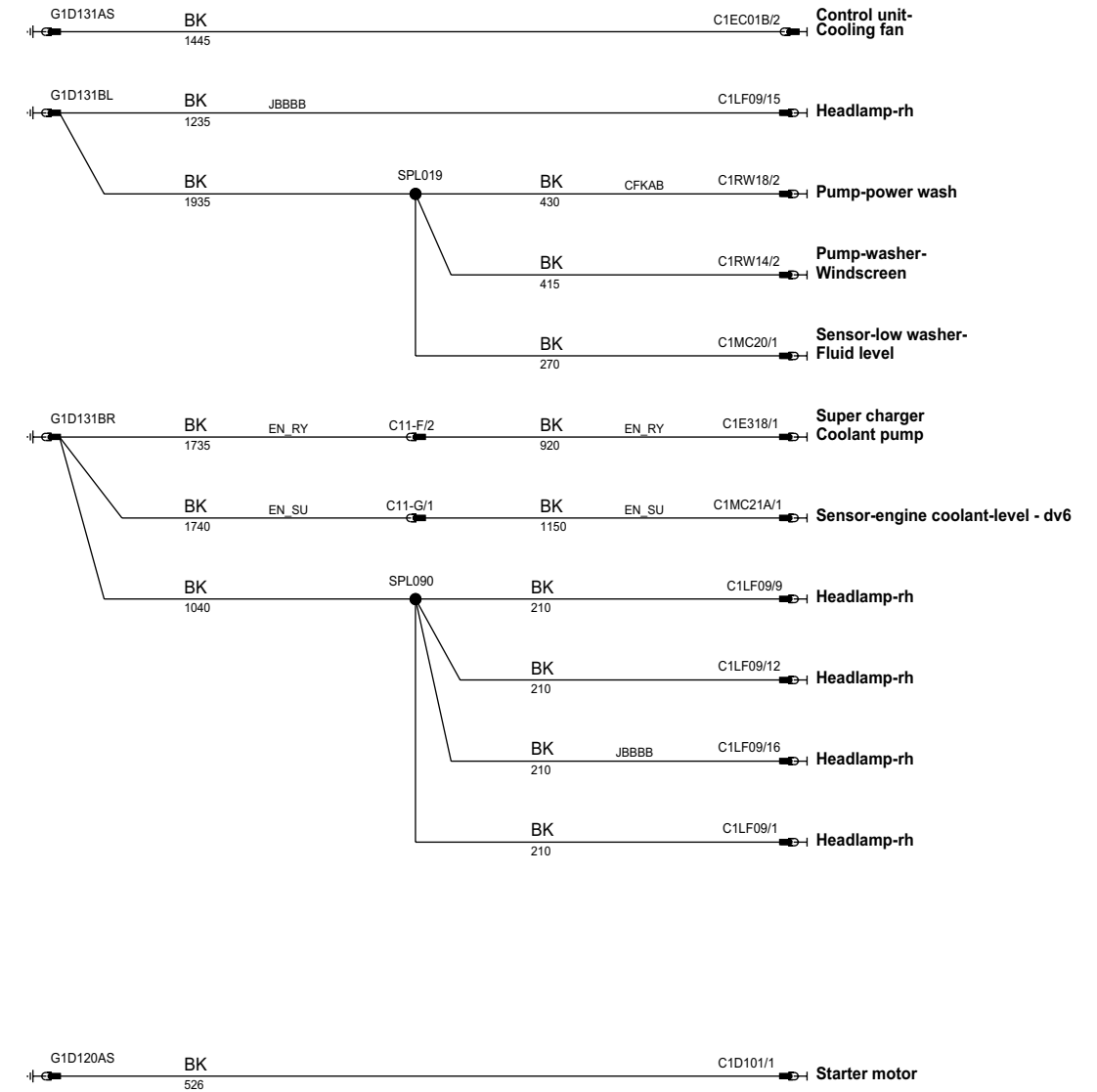
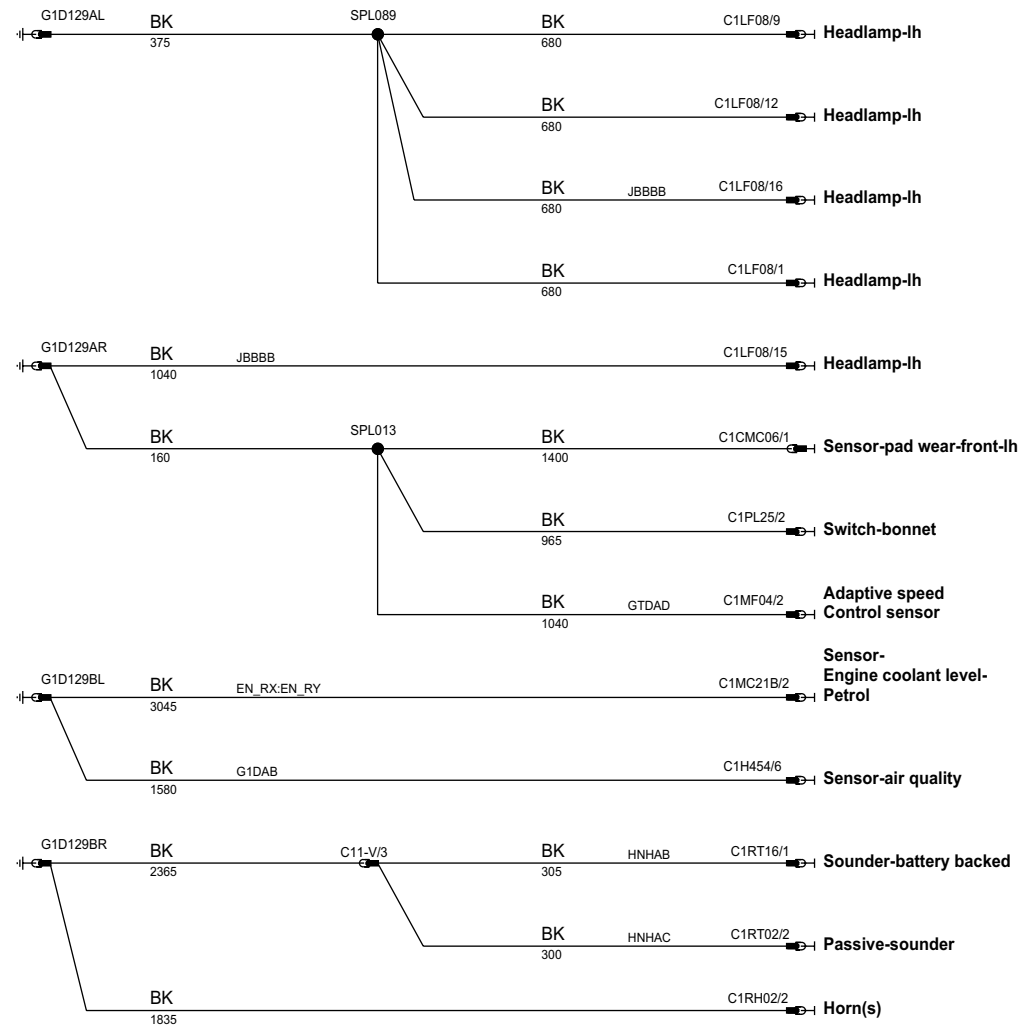
phaw93-70010-h-a6



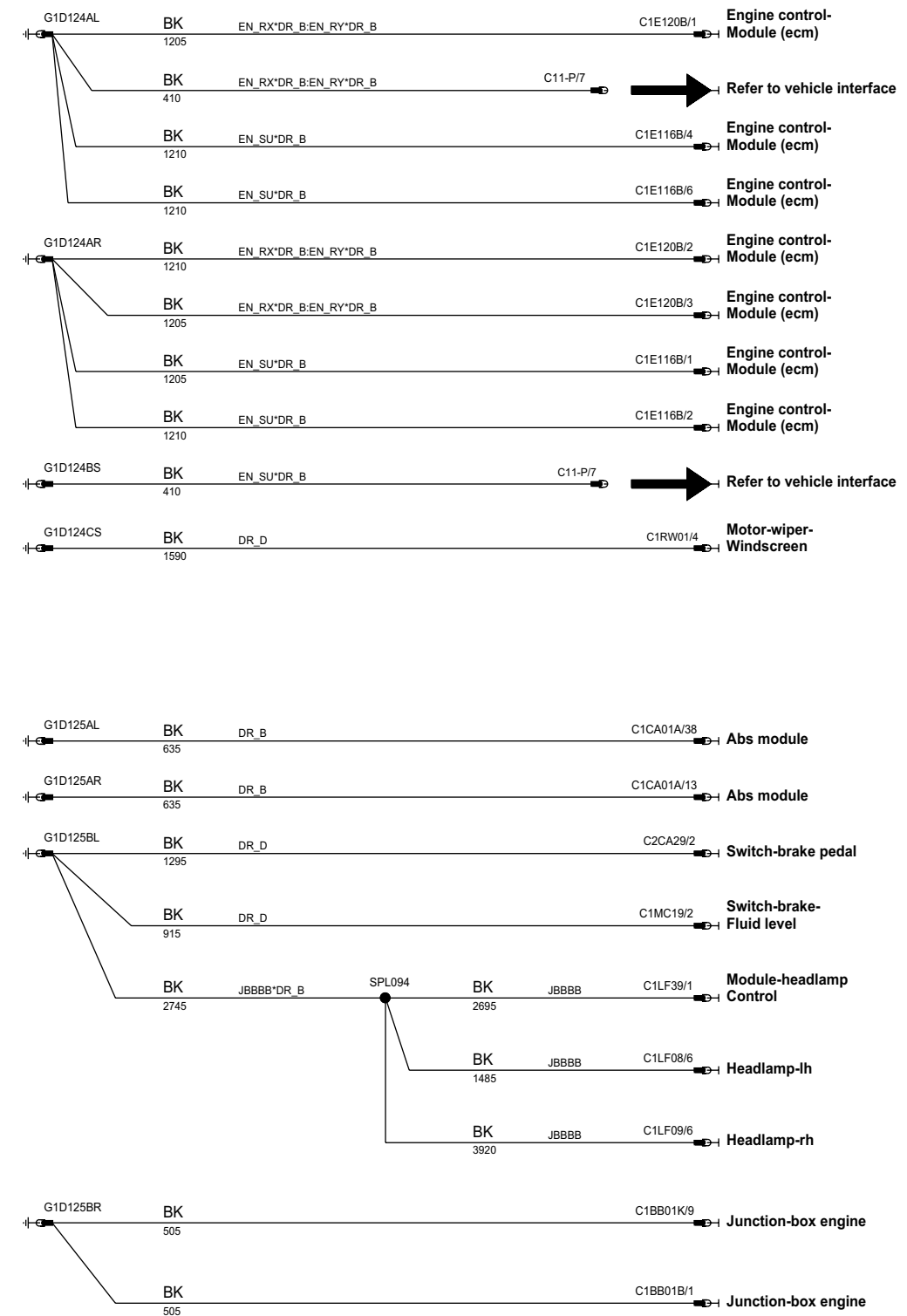
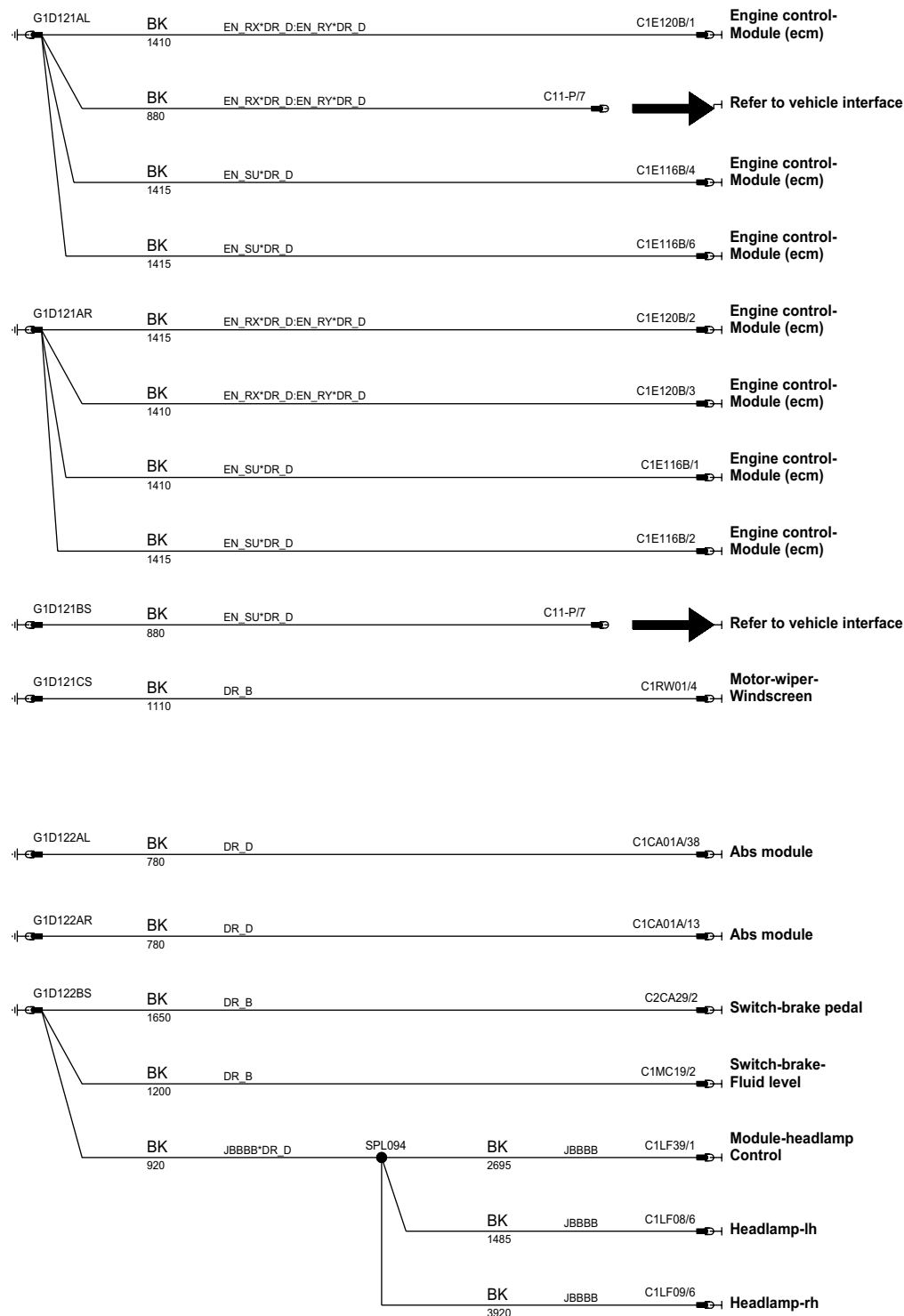
phaw93-70010-j-a6



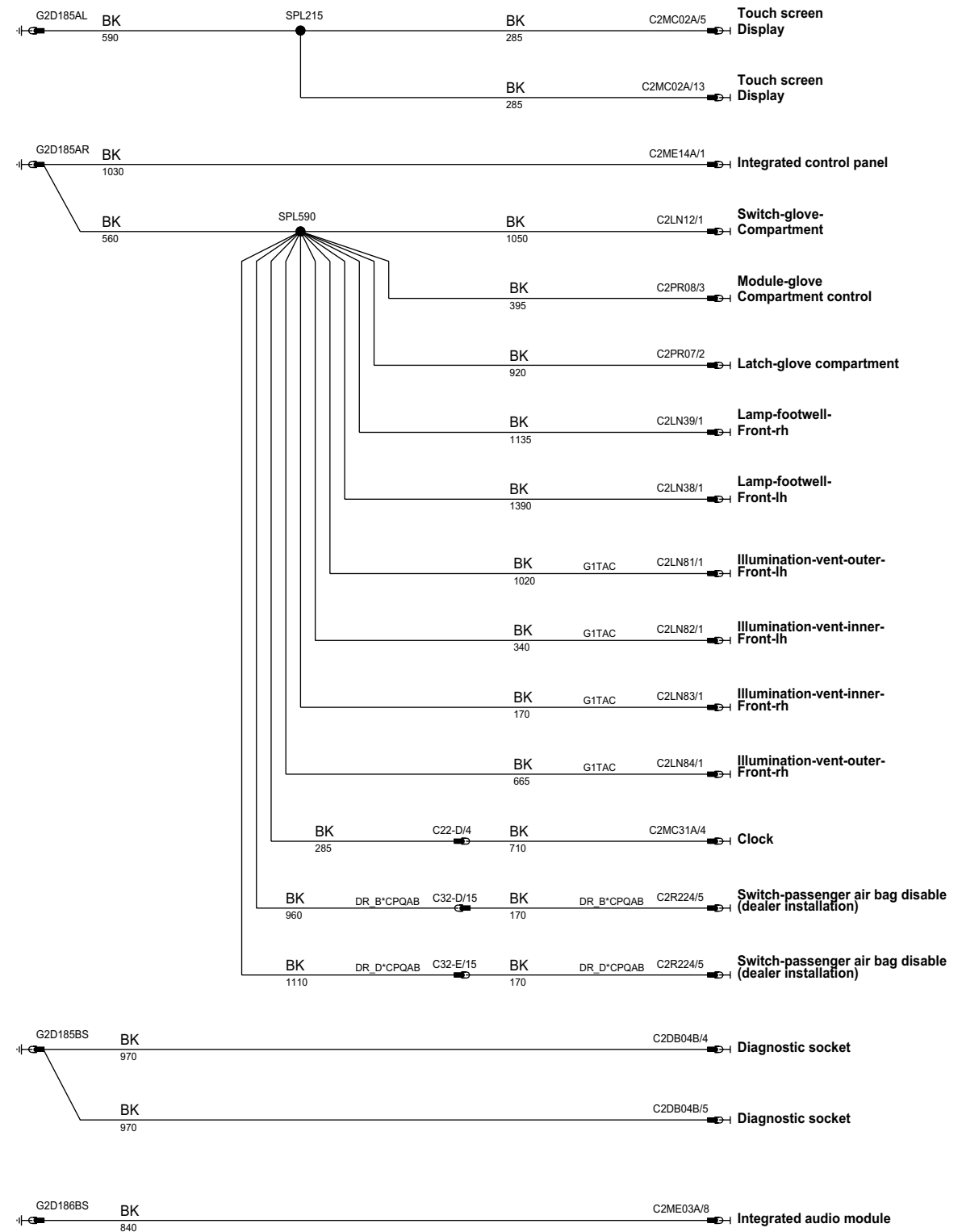
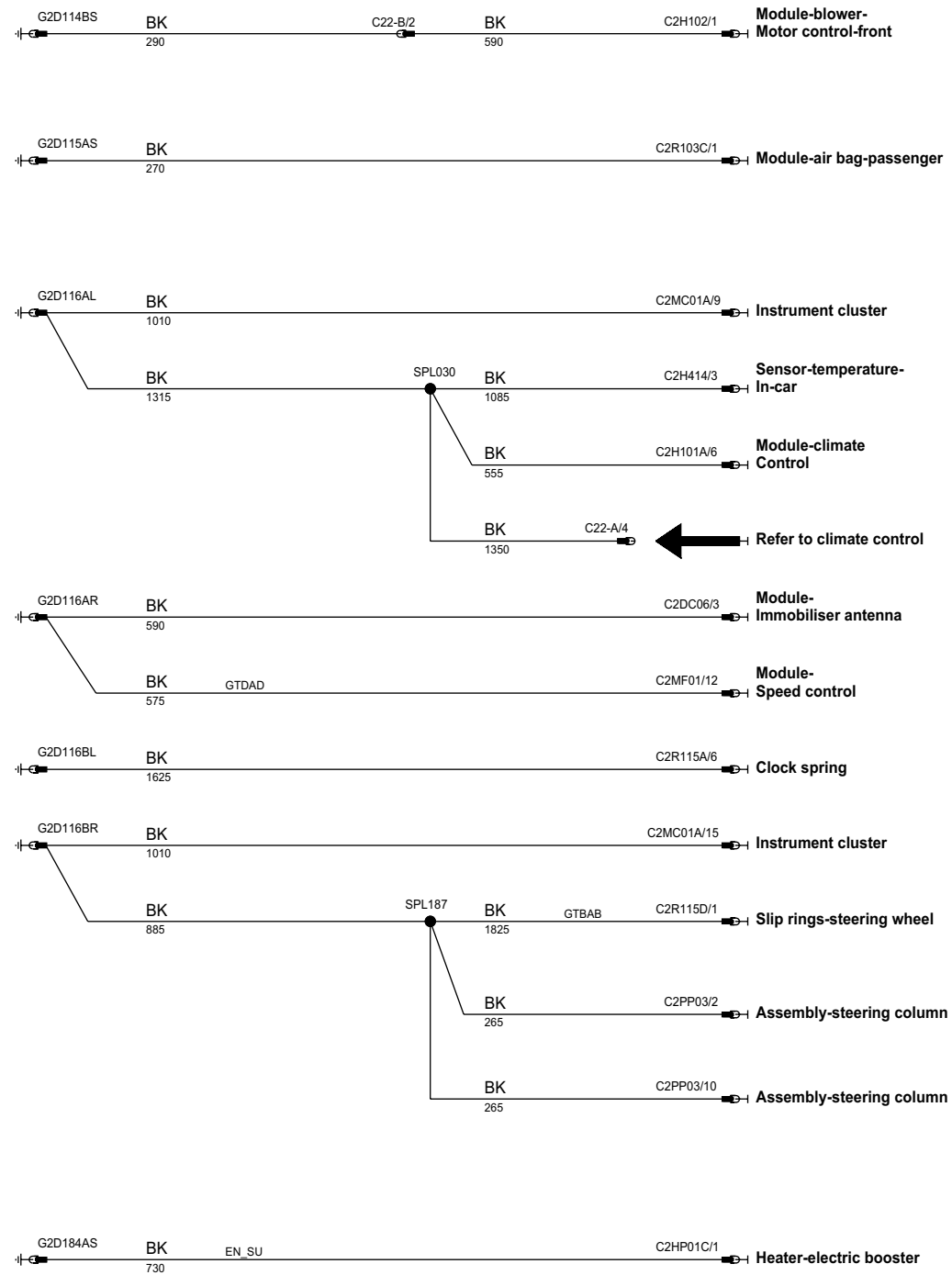
phaw93-70012-a-a6



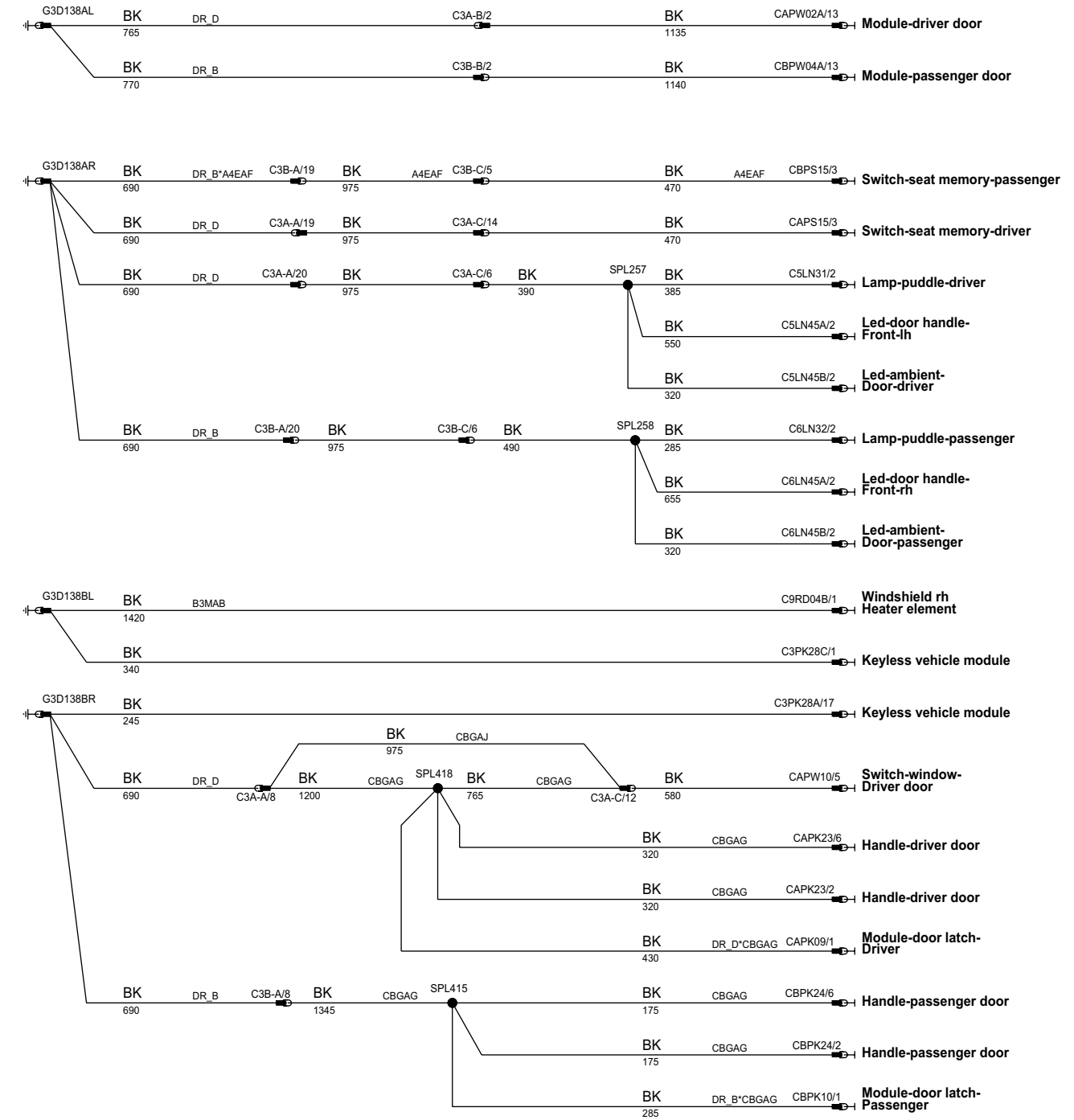
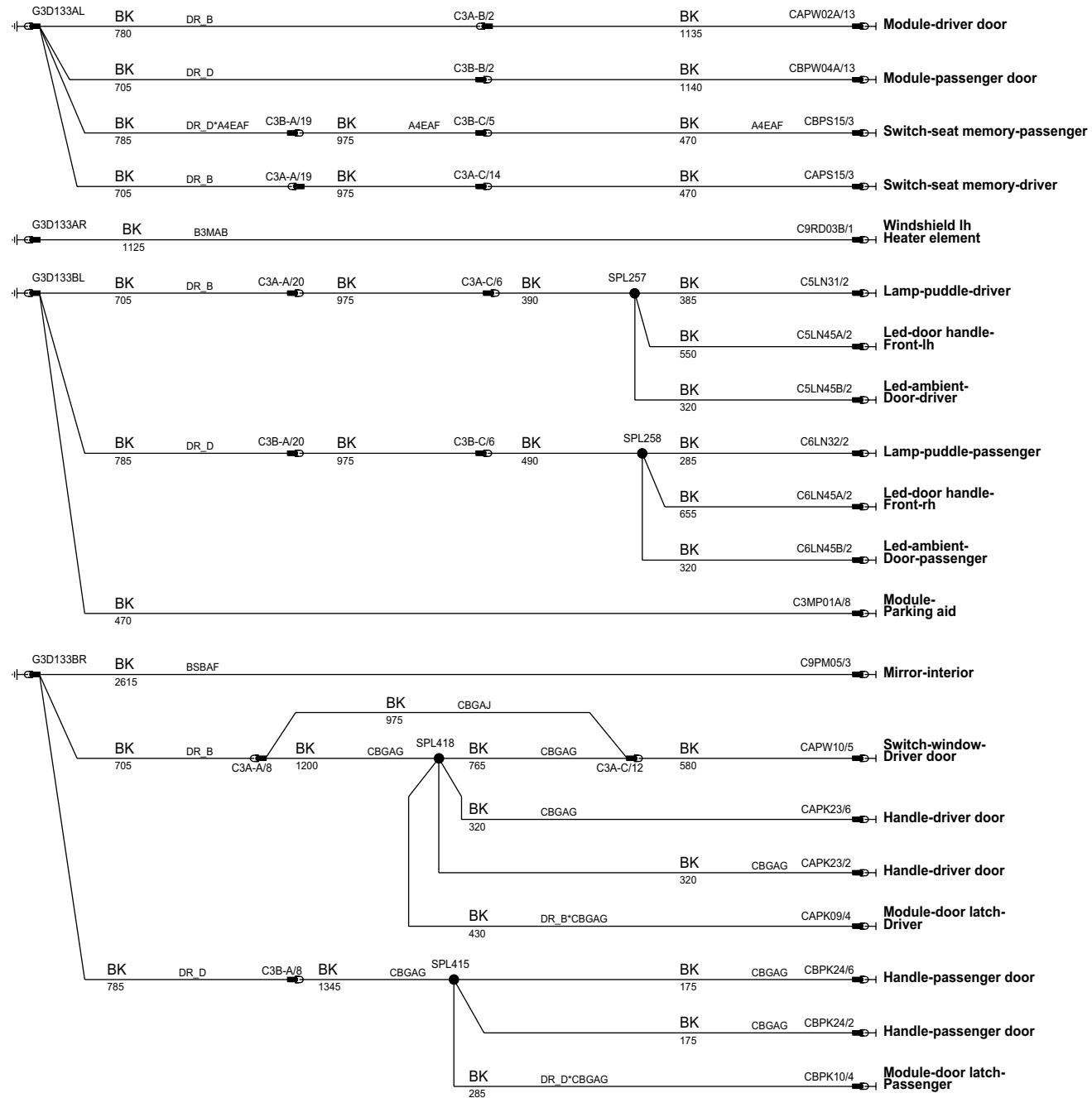
phaw93-70012-b-a6



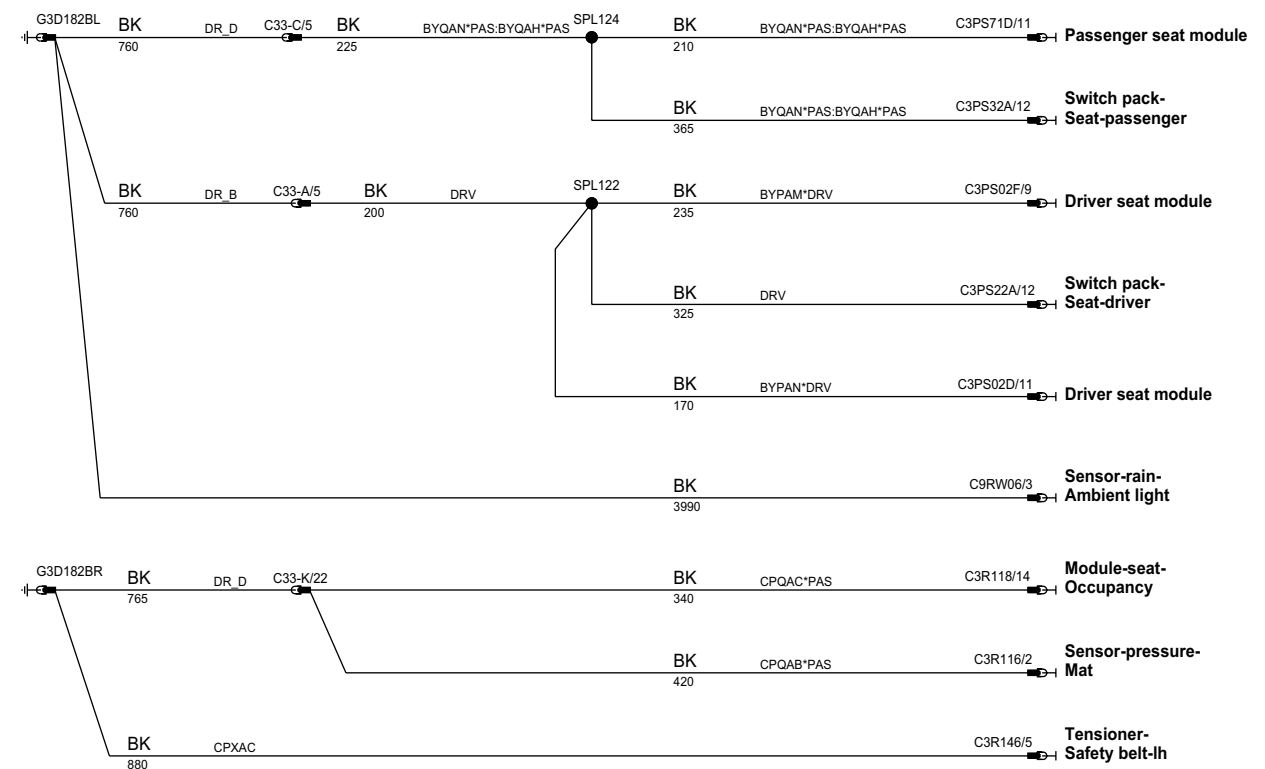
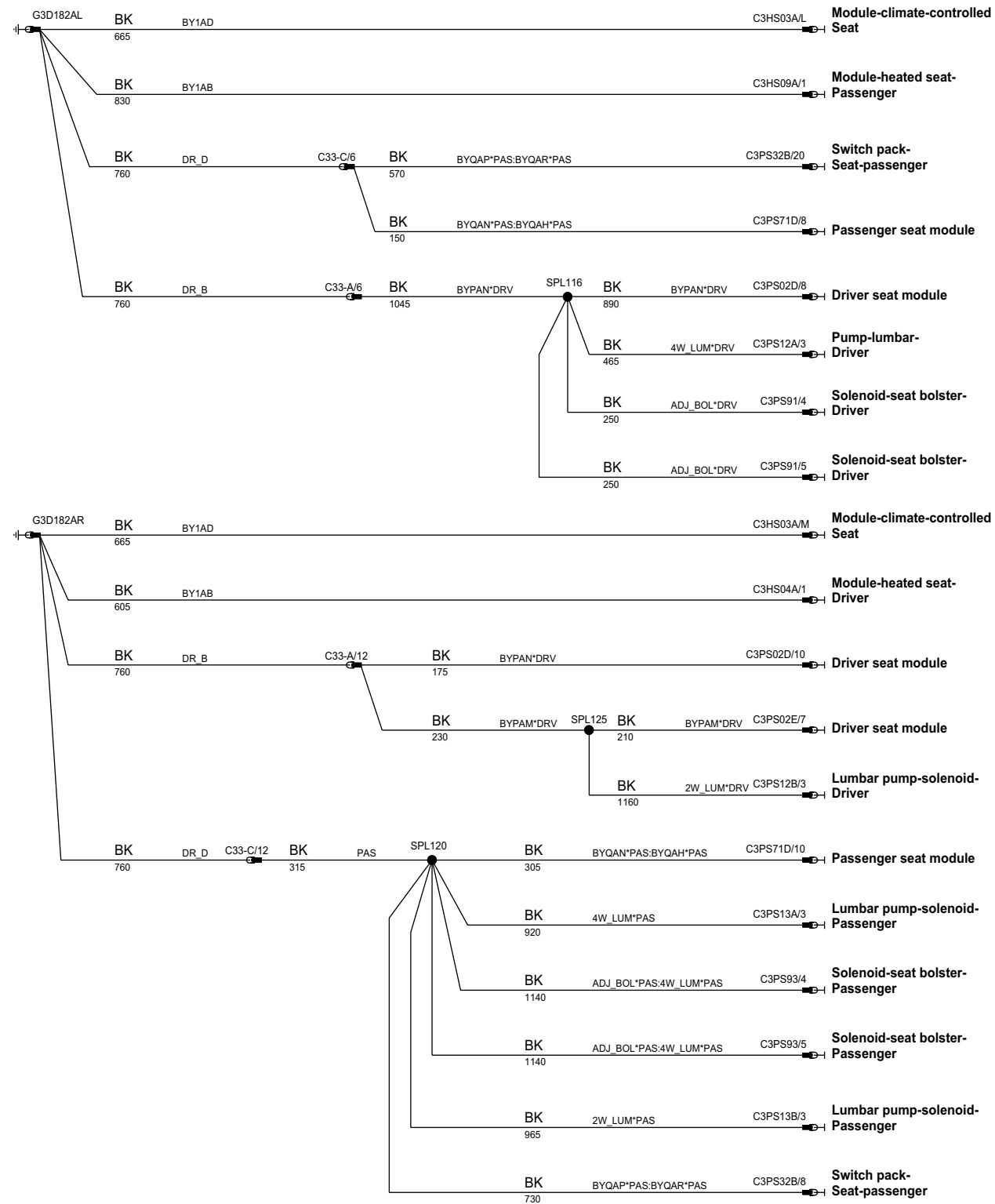
phaw93-70012-c-a6



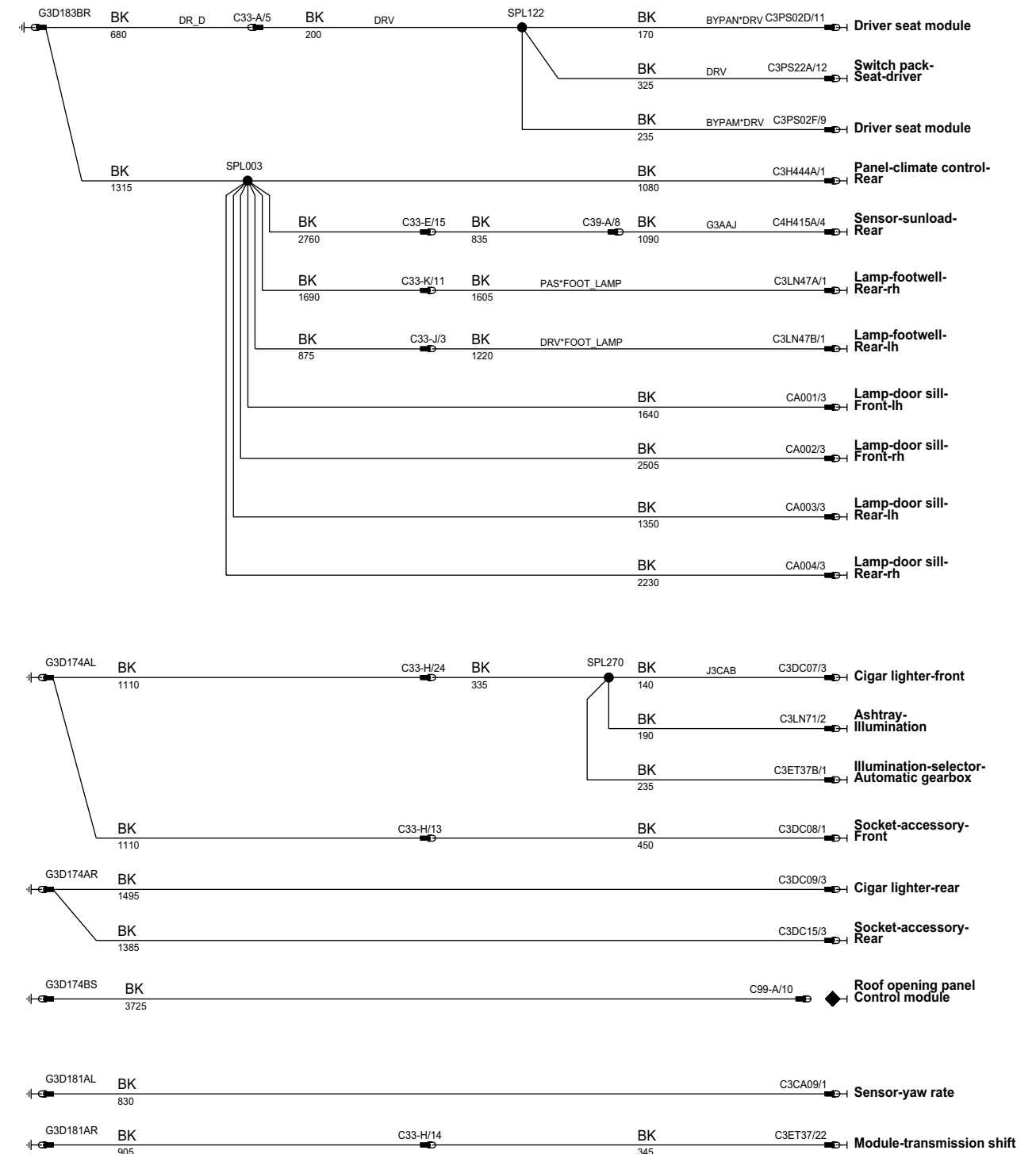
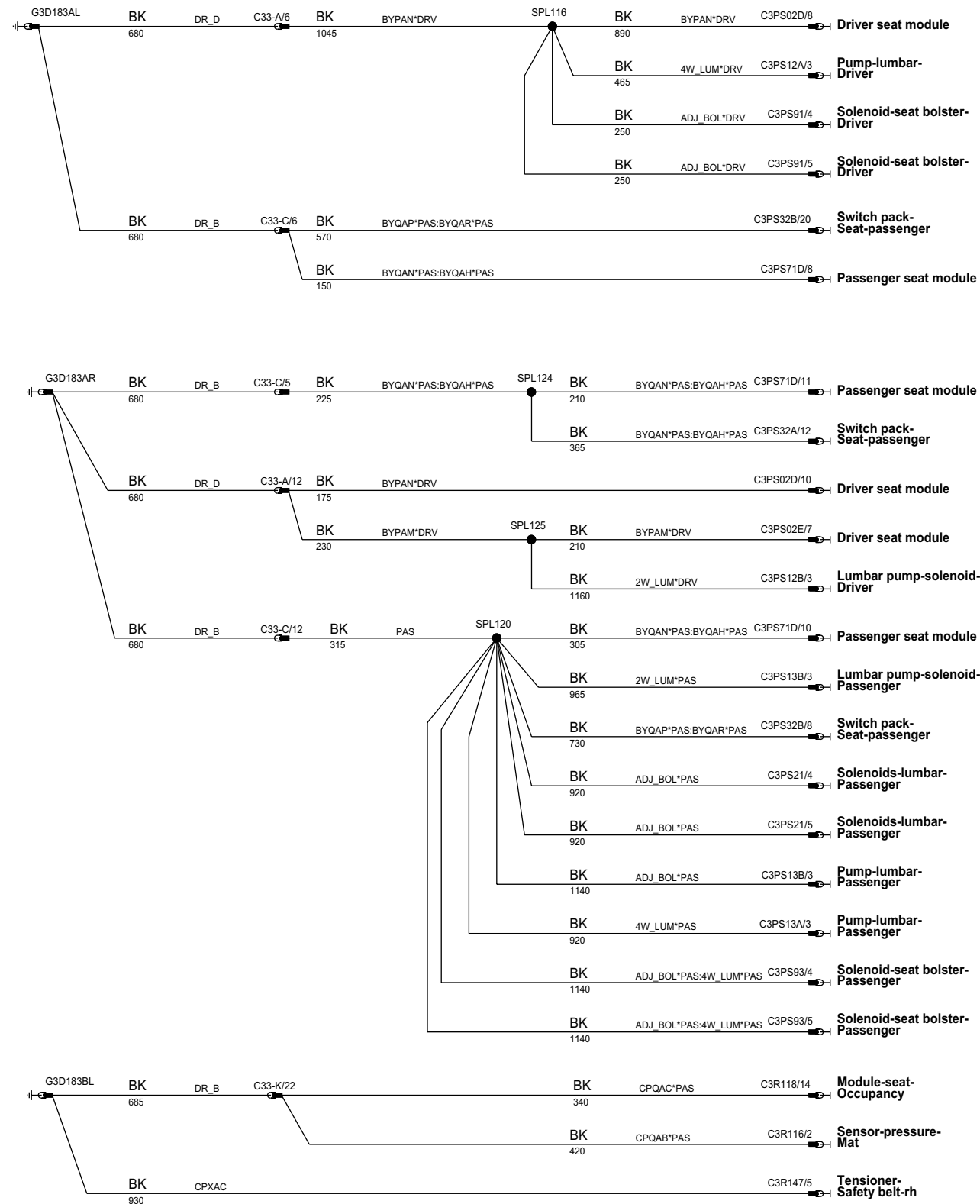
phaw93-70012-d-a6



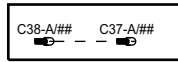
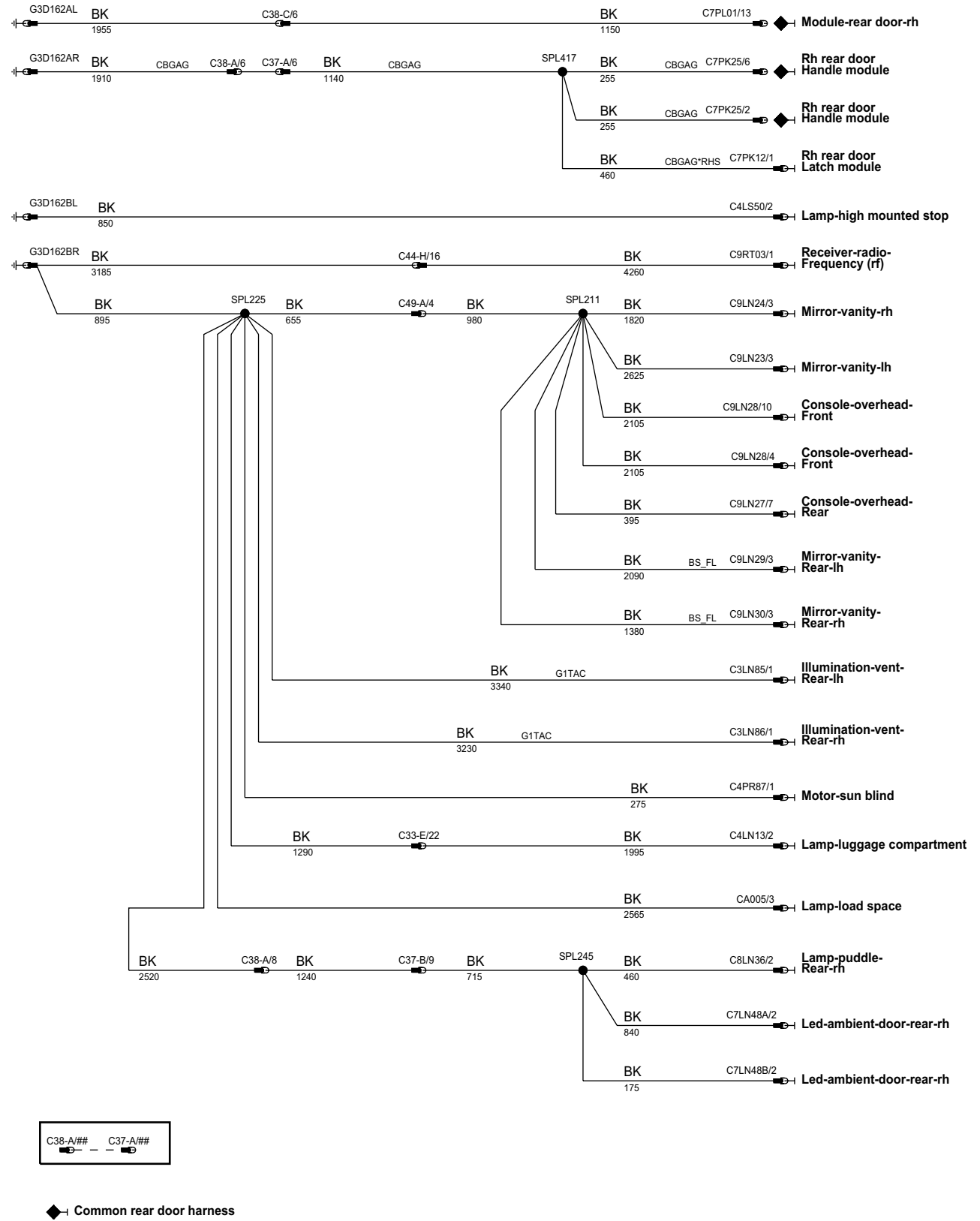
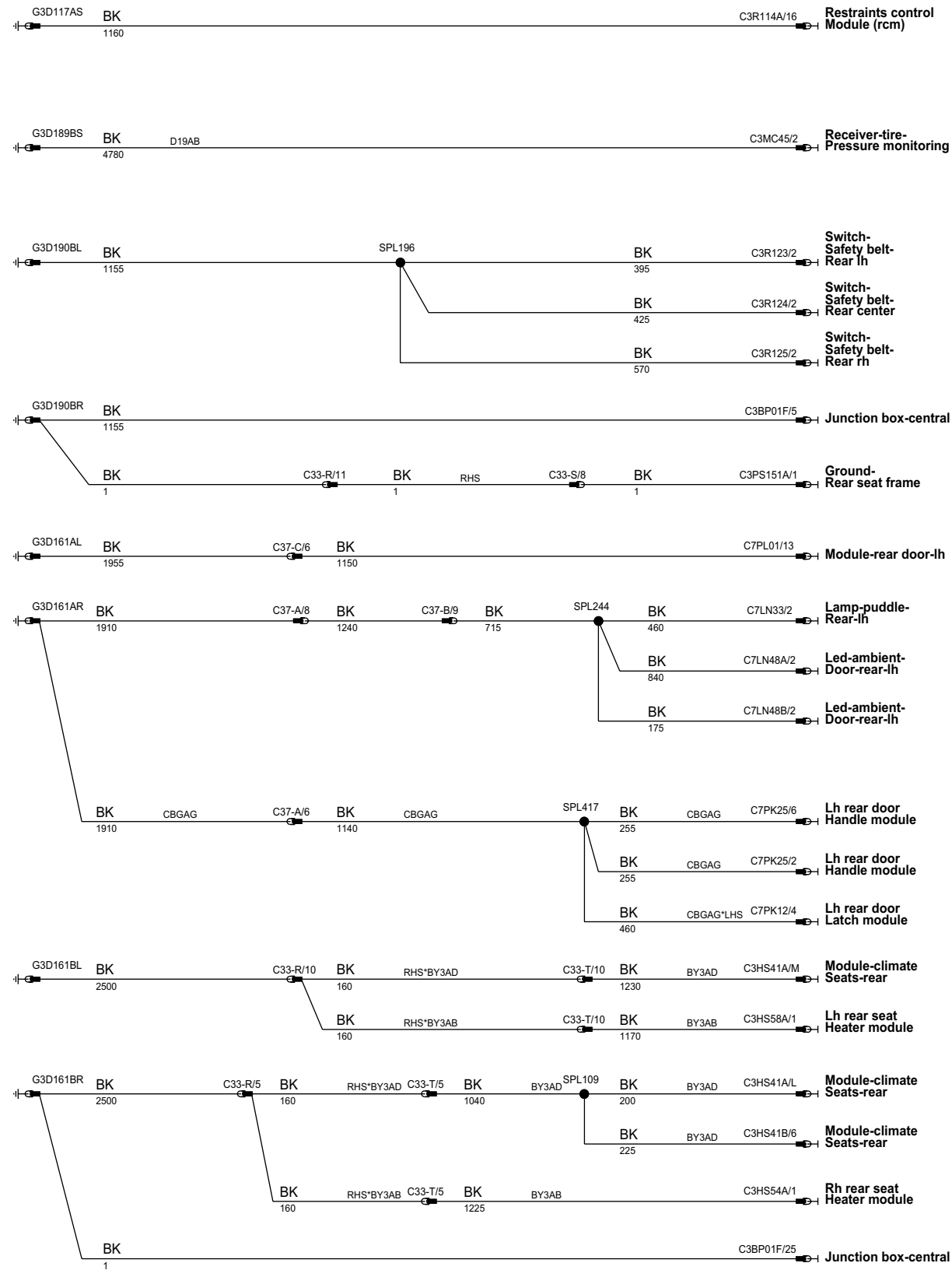
phaw93-70012-e-a6



phaw93-700124-a6

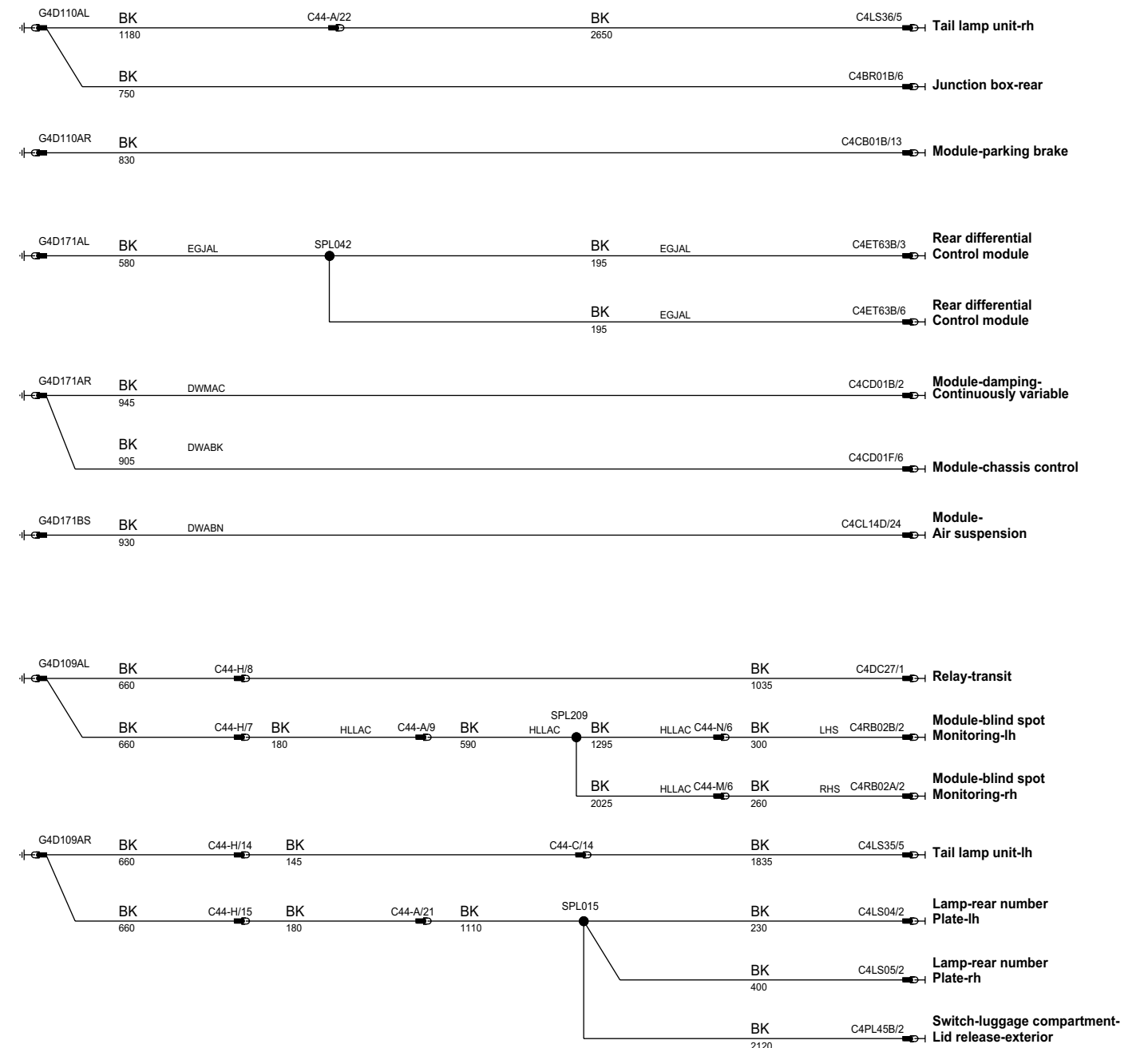
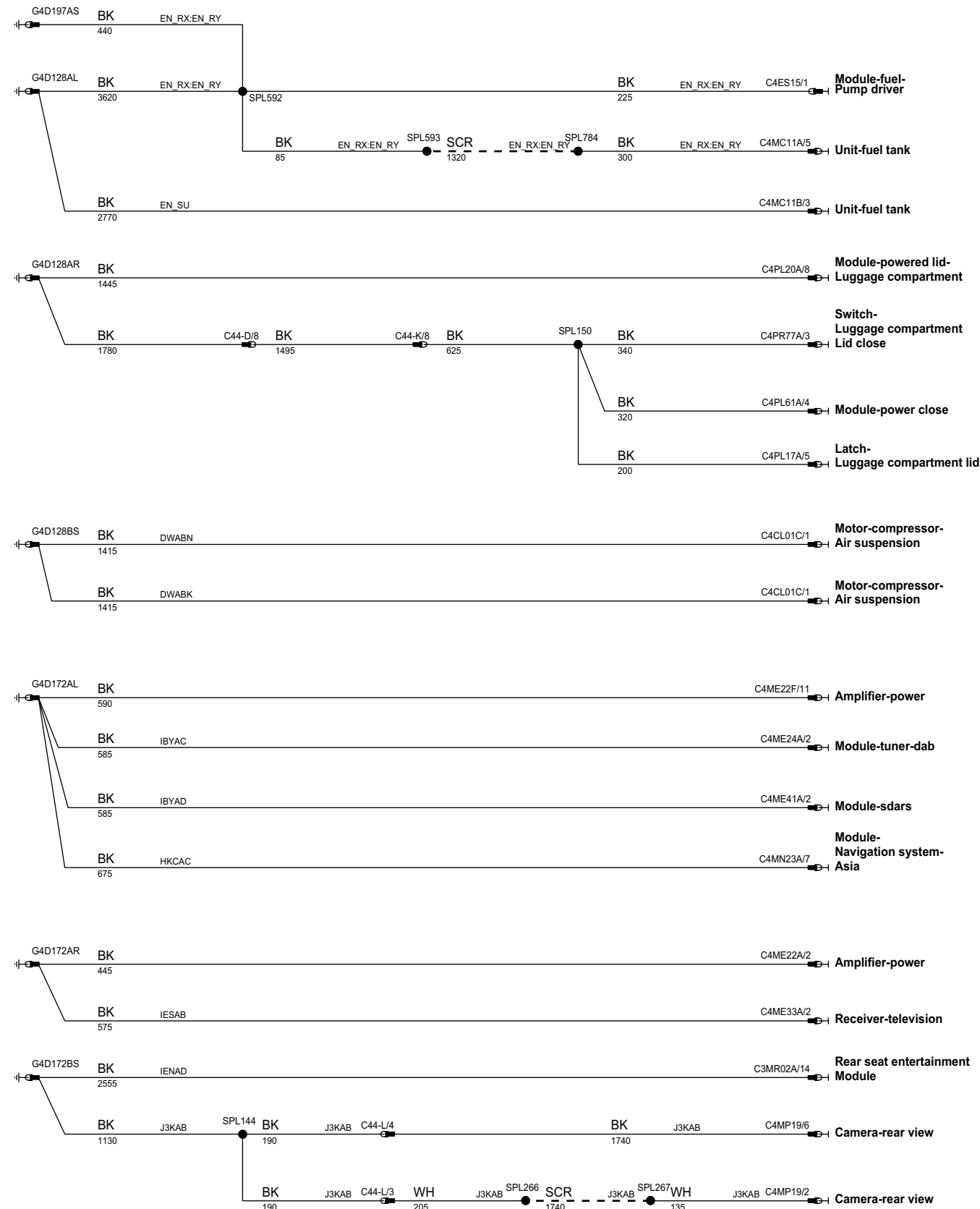


phaw93-70012-g-a6

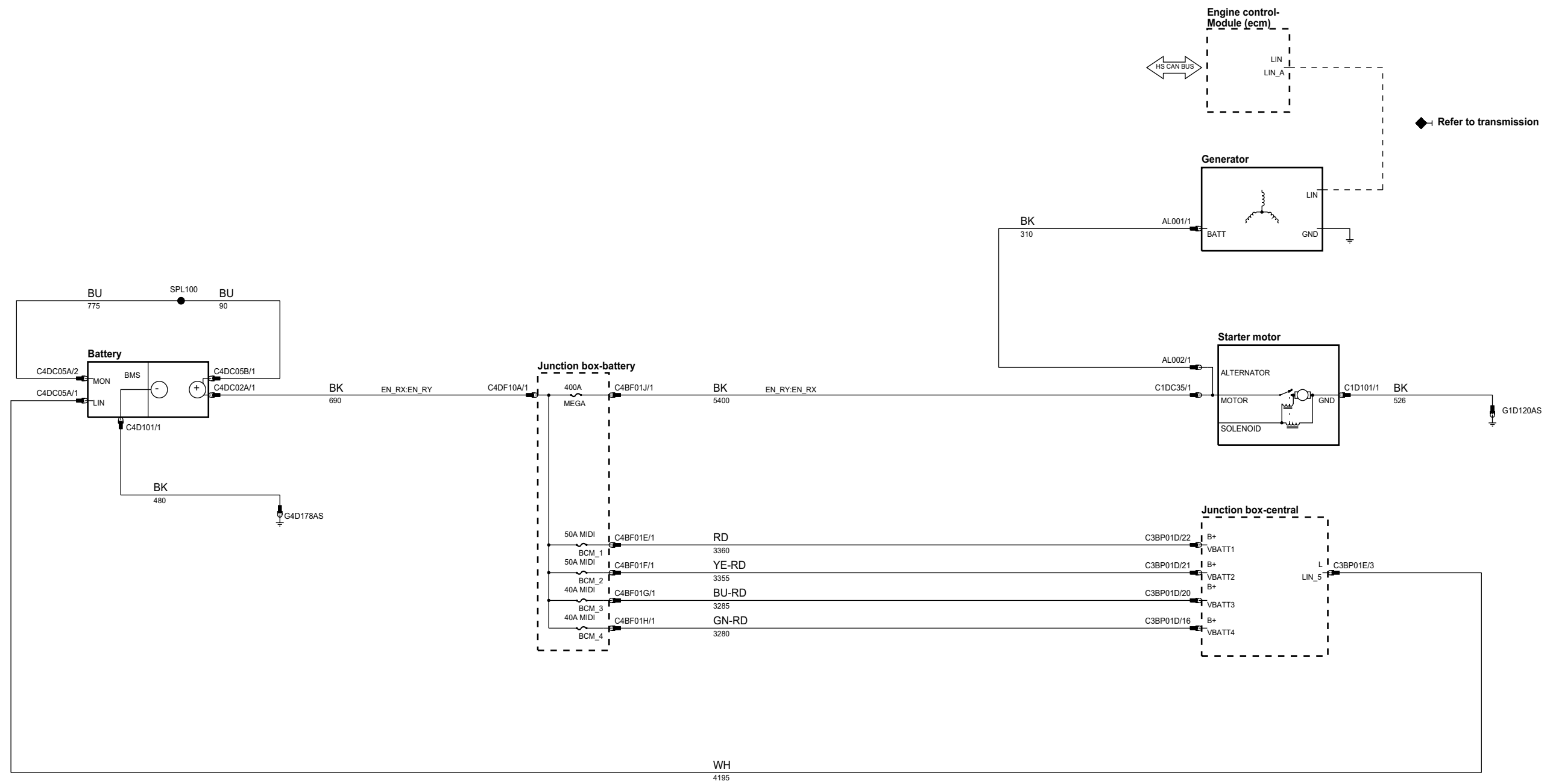


◆ Common rear door harness

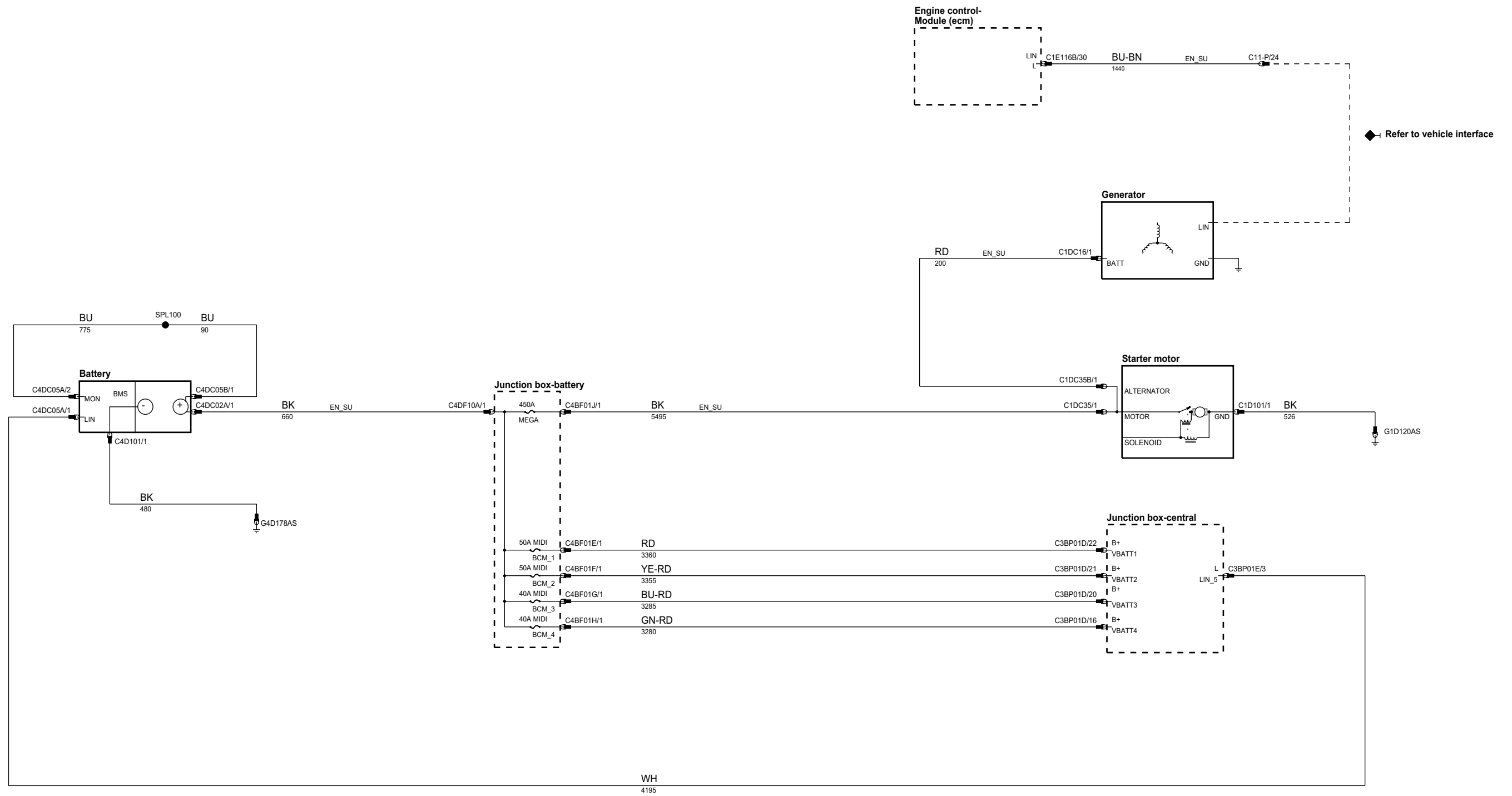
phaw93-70012-h-a6



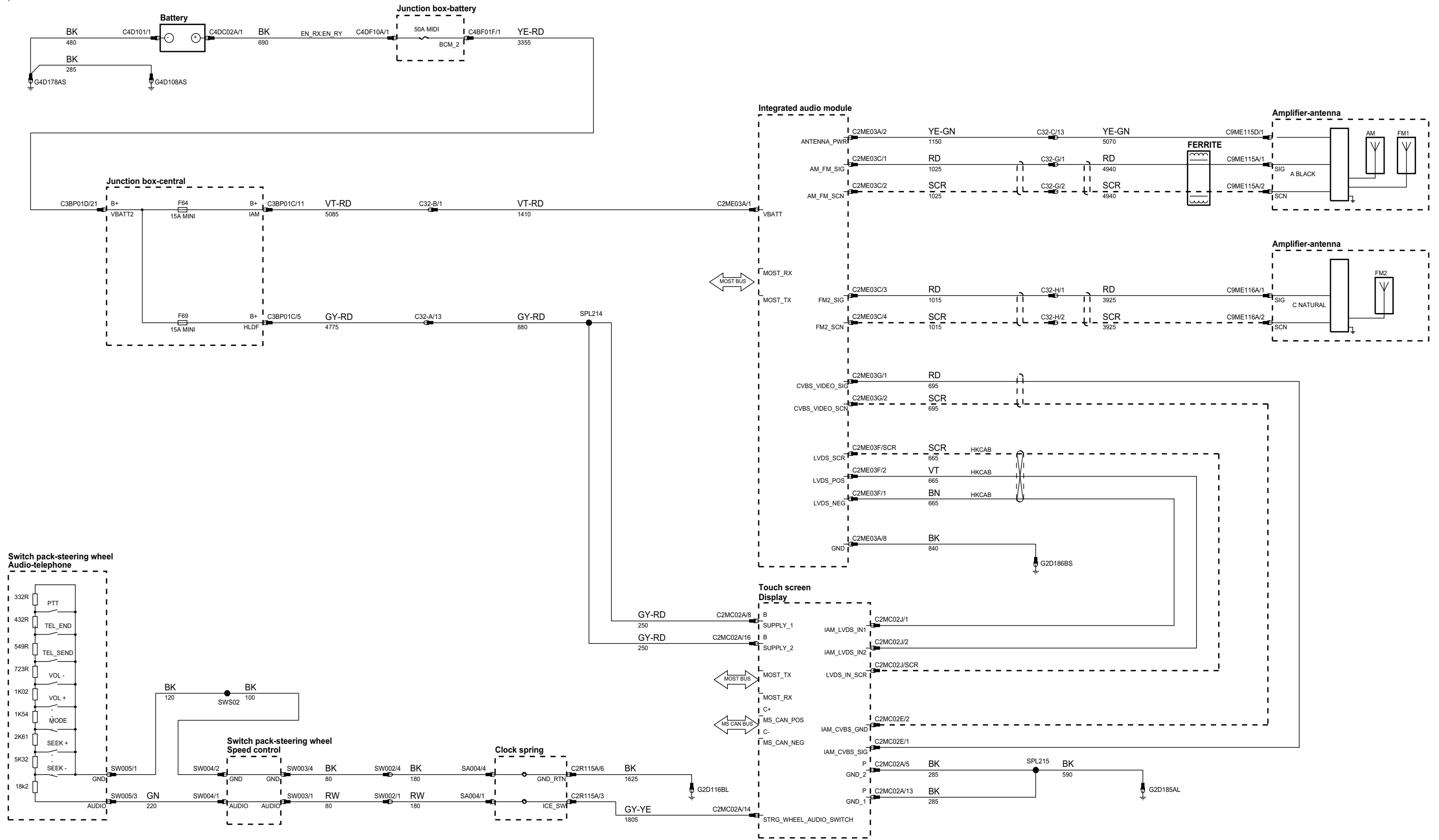
phaw93-70022-a-a6



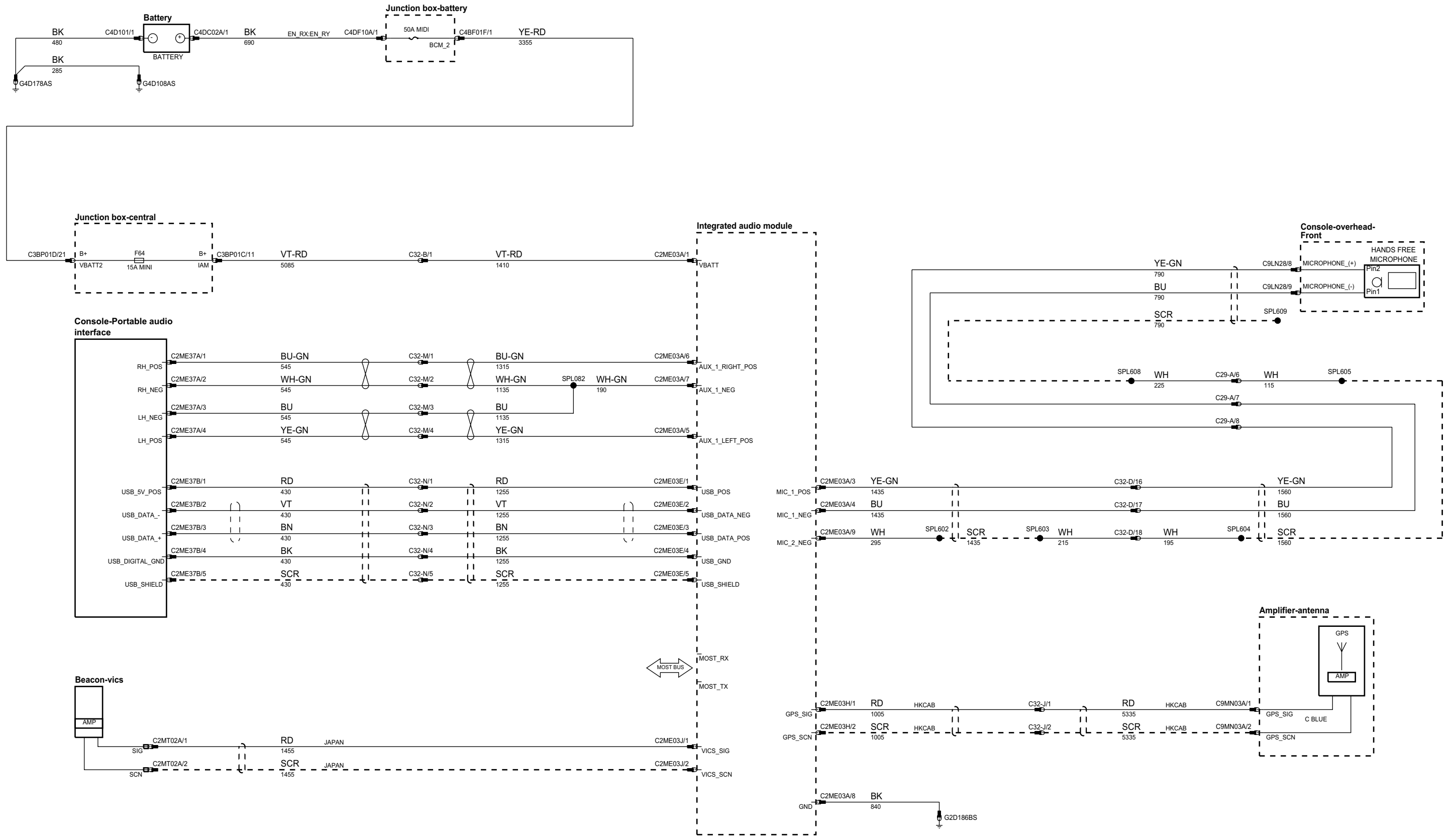
phaw93-70022-d-a6



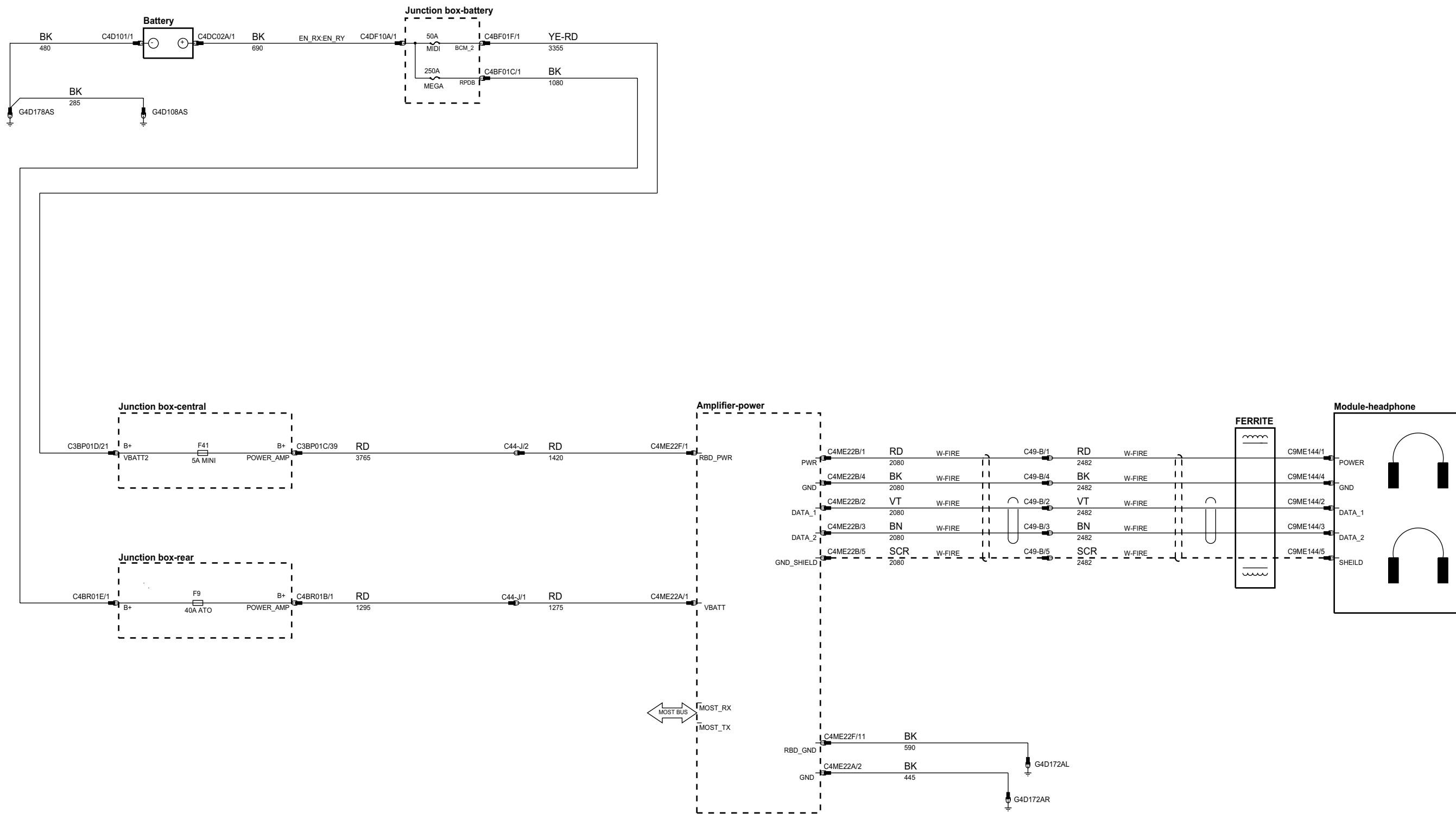
phaw93-70441-a-a6



phaw93-70441-b-a6

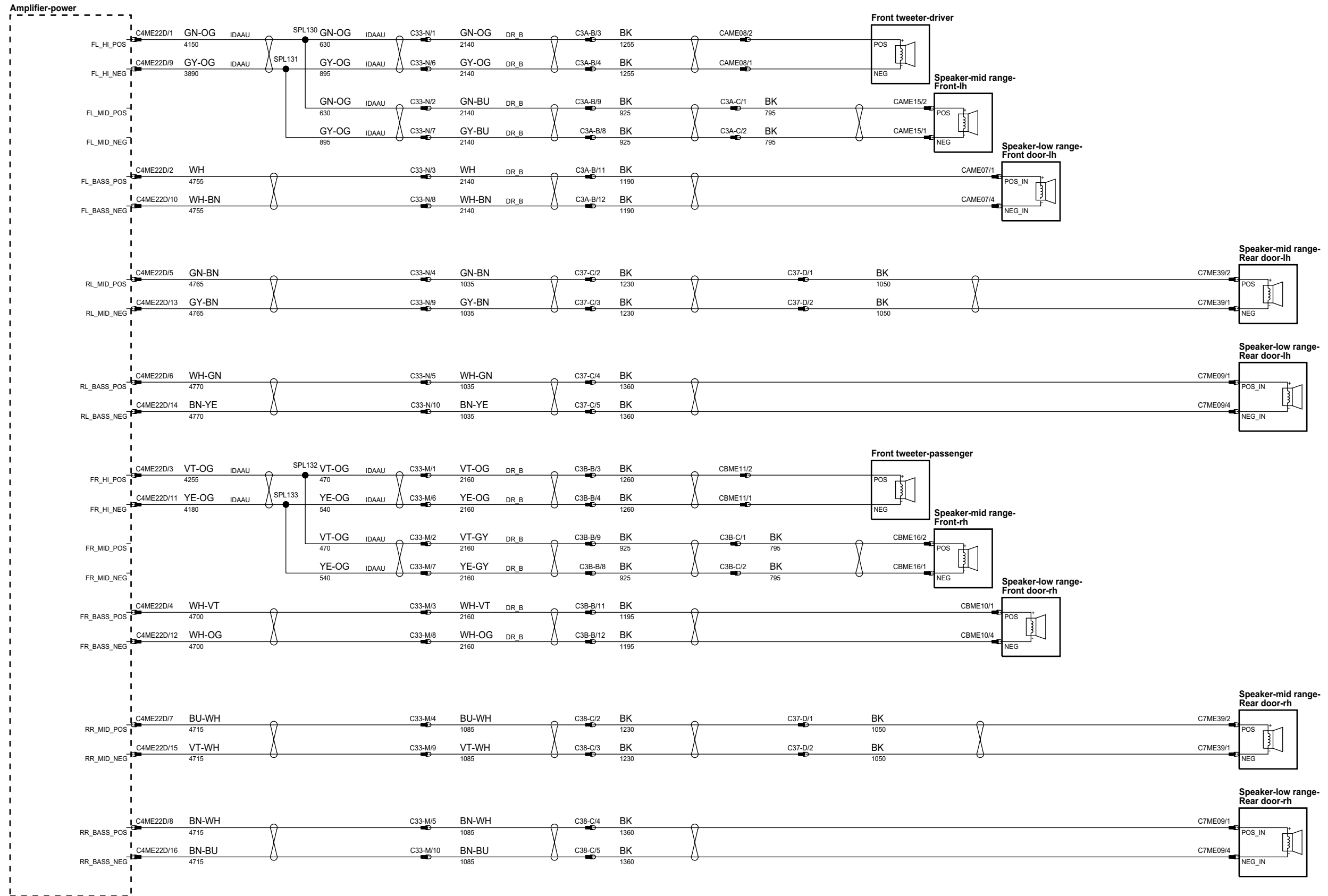


phaw93-70441-c-a6

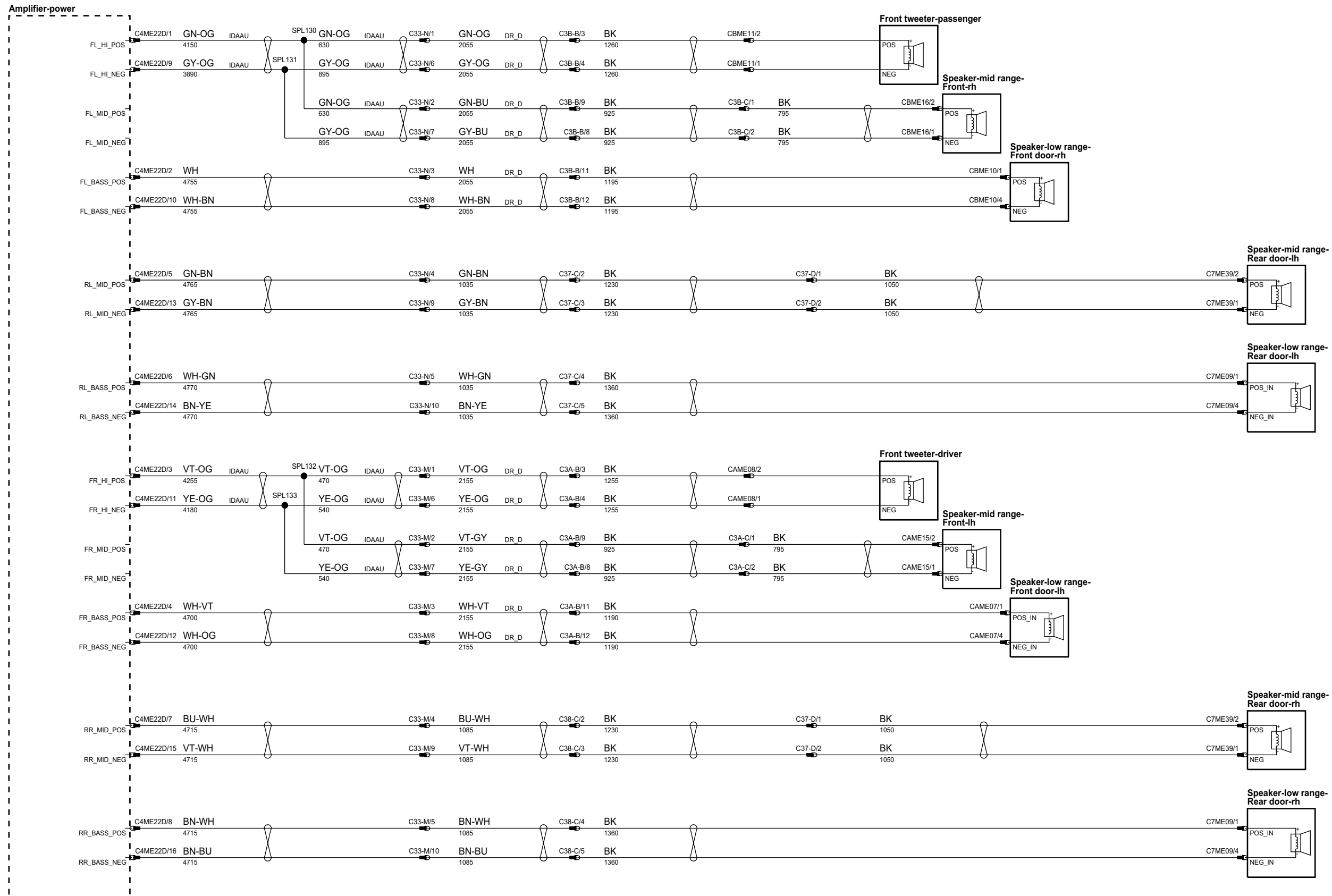


x

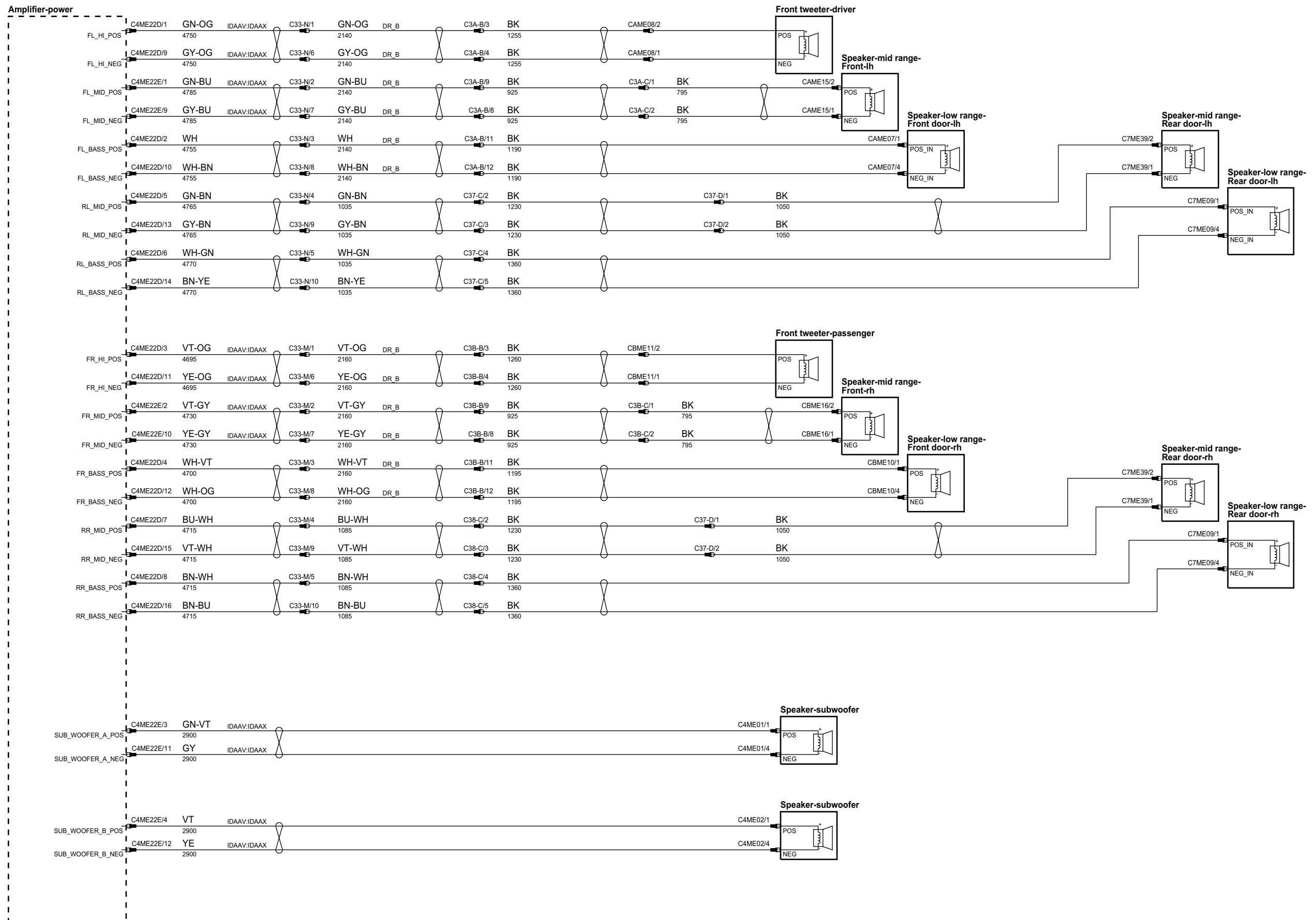
phaw93-70441-d-a6



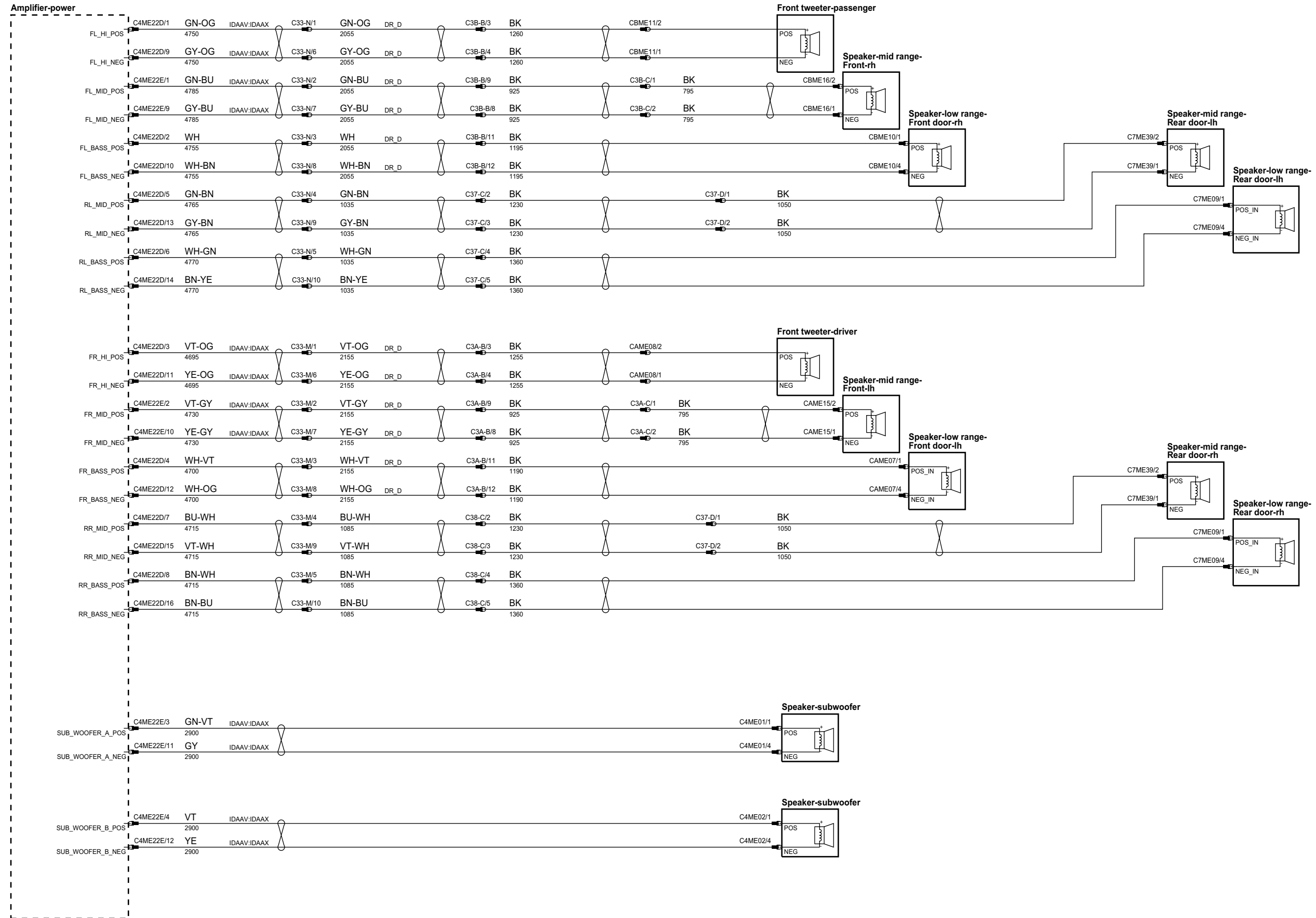
phaw93-70441-e-a6



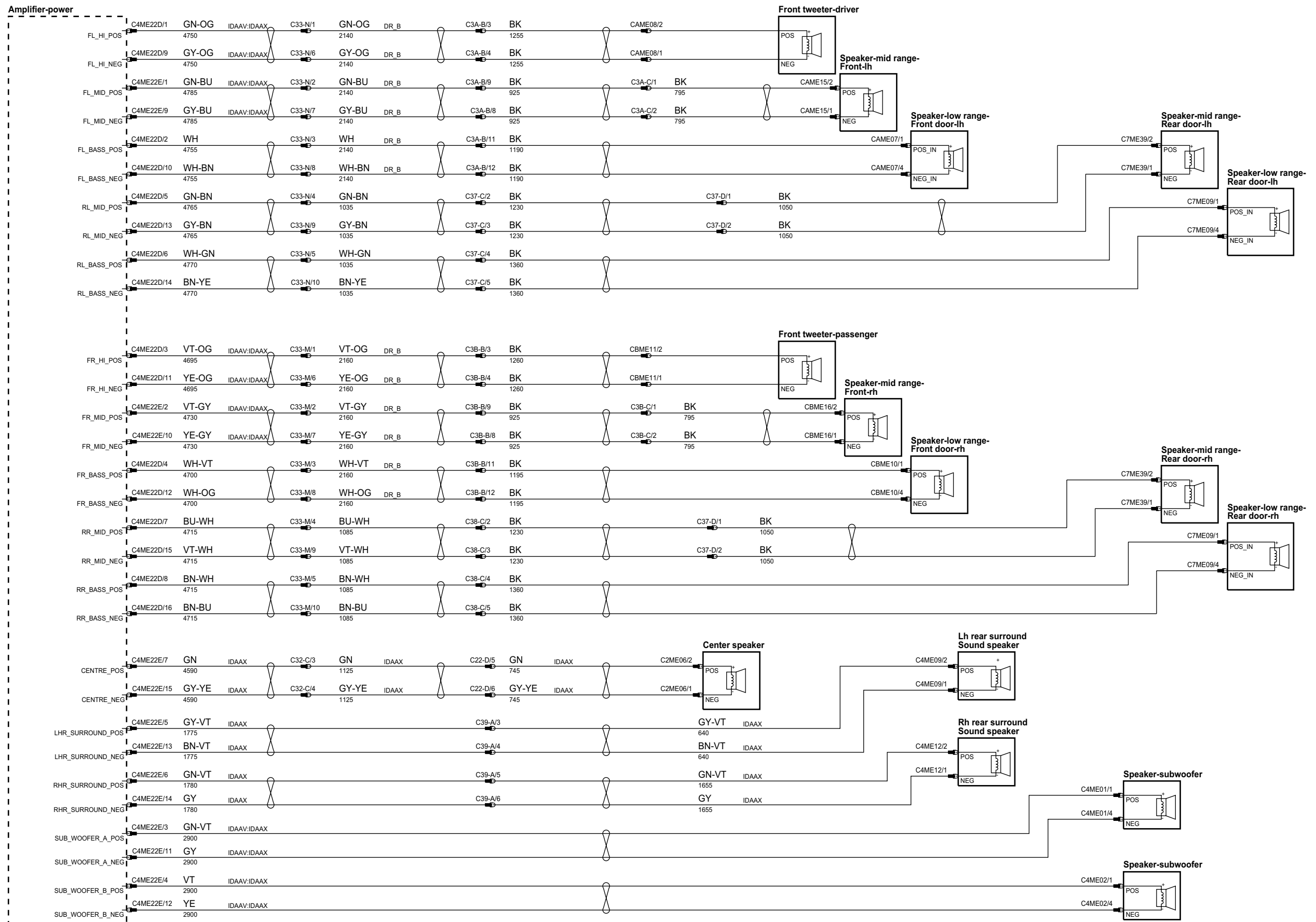
phaw93-70441-f-a6



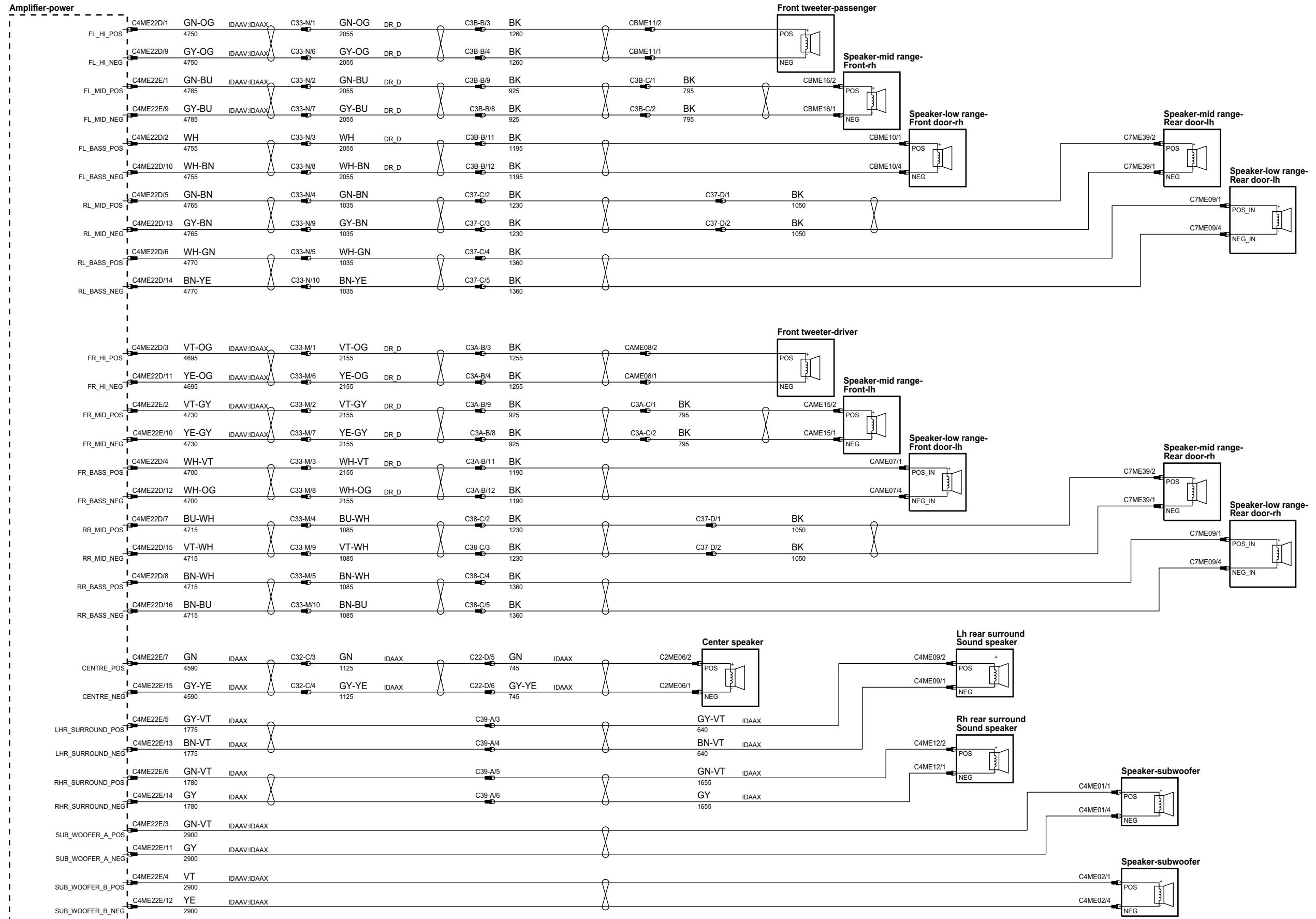
phaw93-70441-g-a6



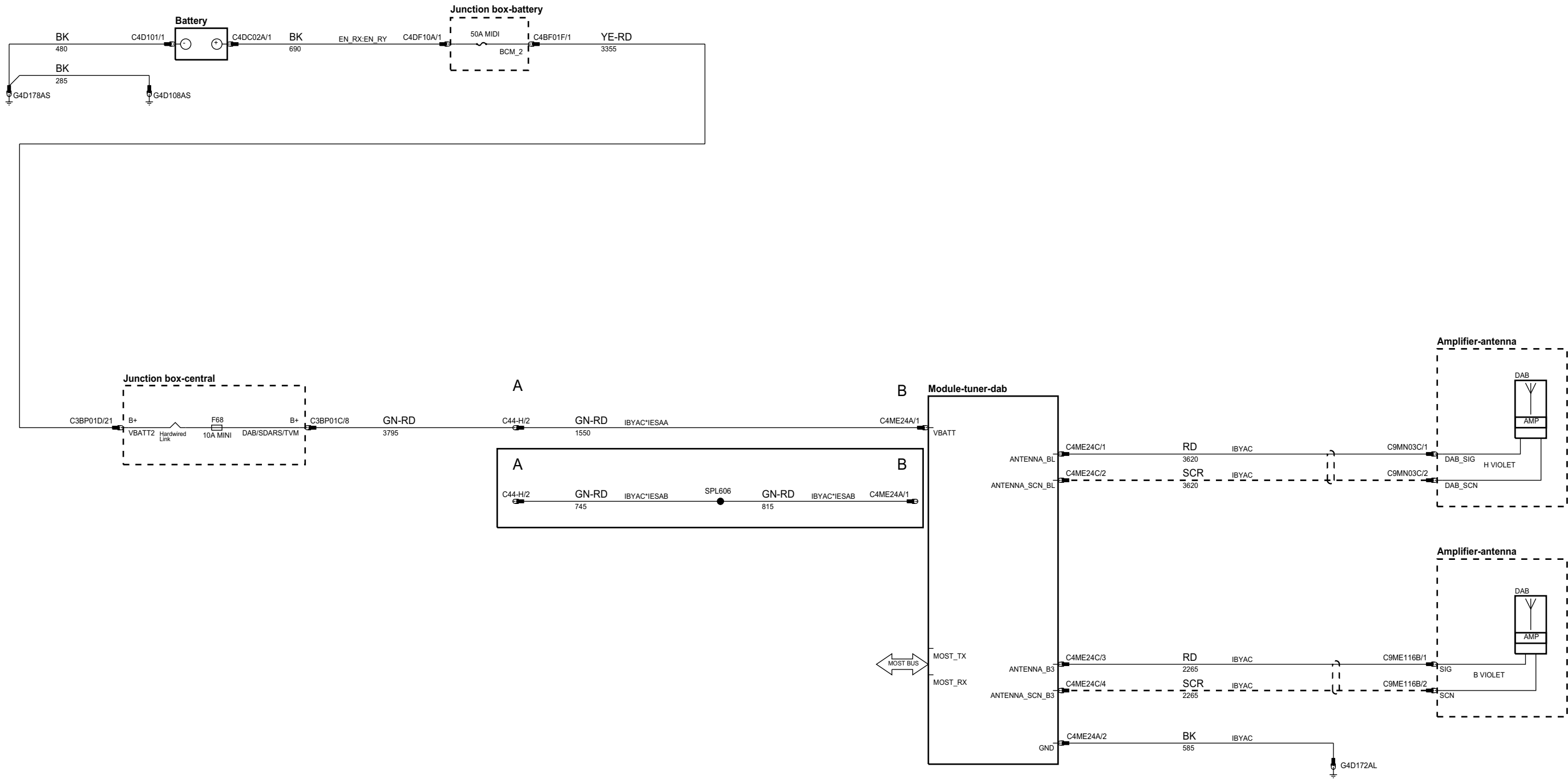
phaw93-70441-h-a6



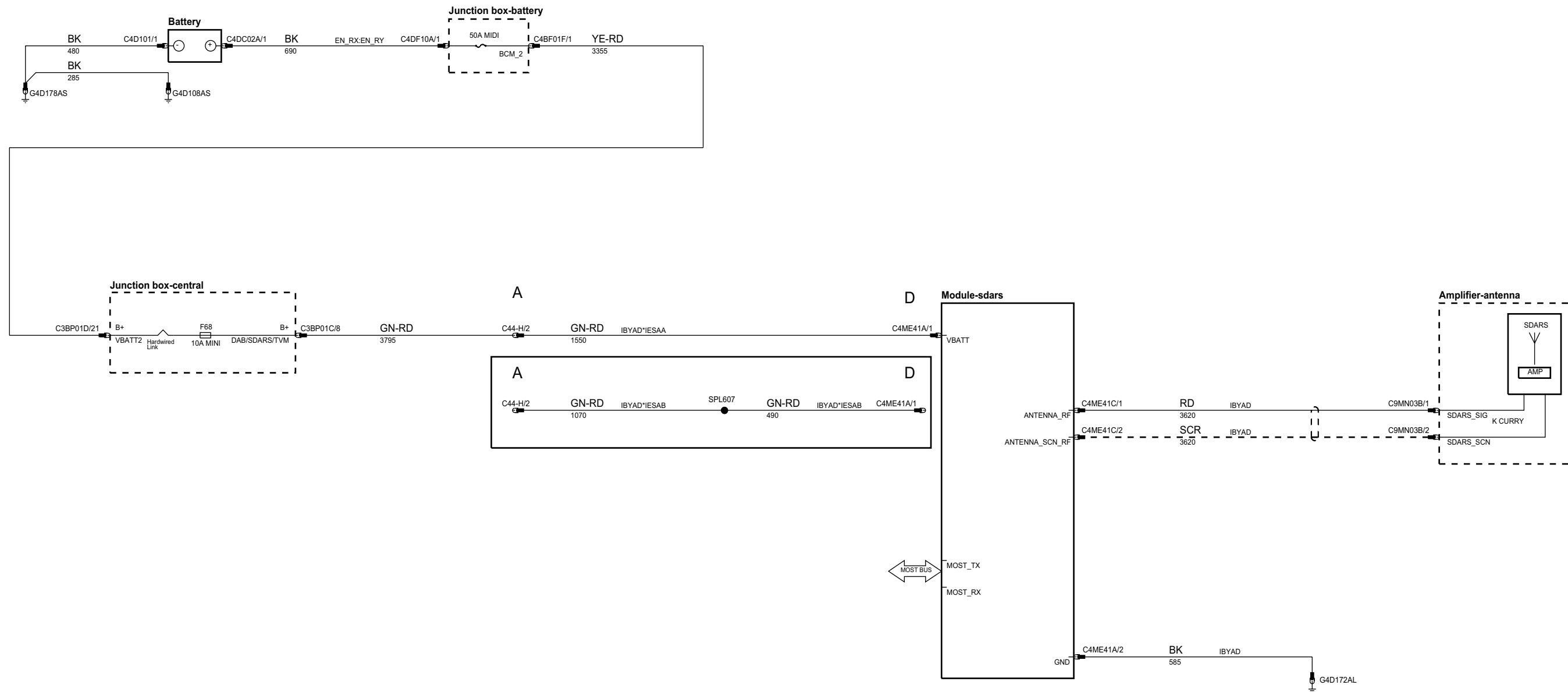
phaw93-70441-j-a6



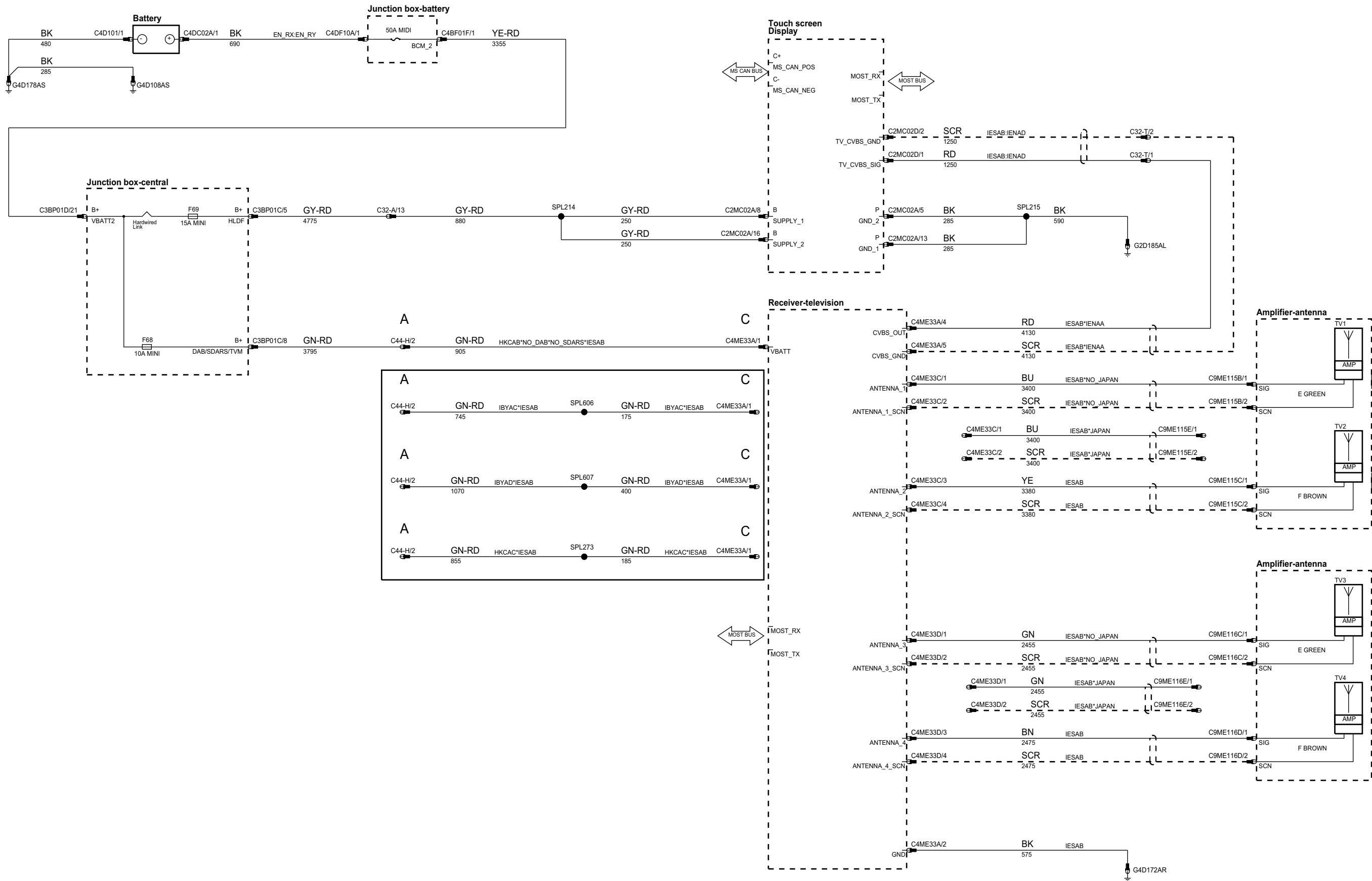
phaw93-70447-a-a6



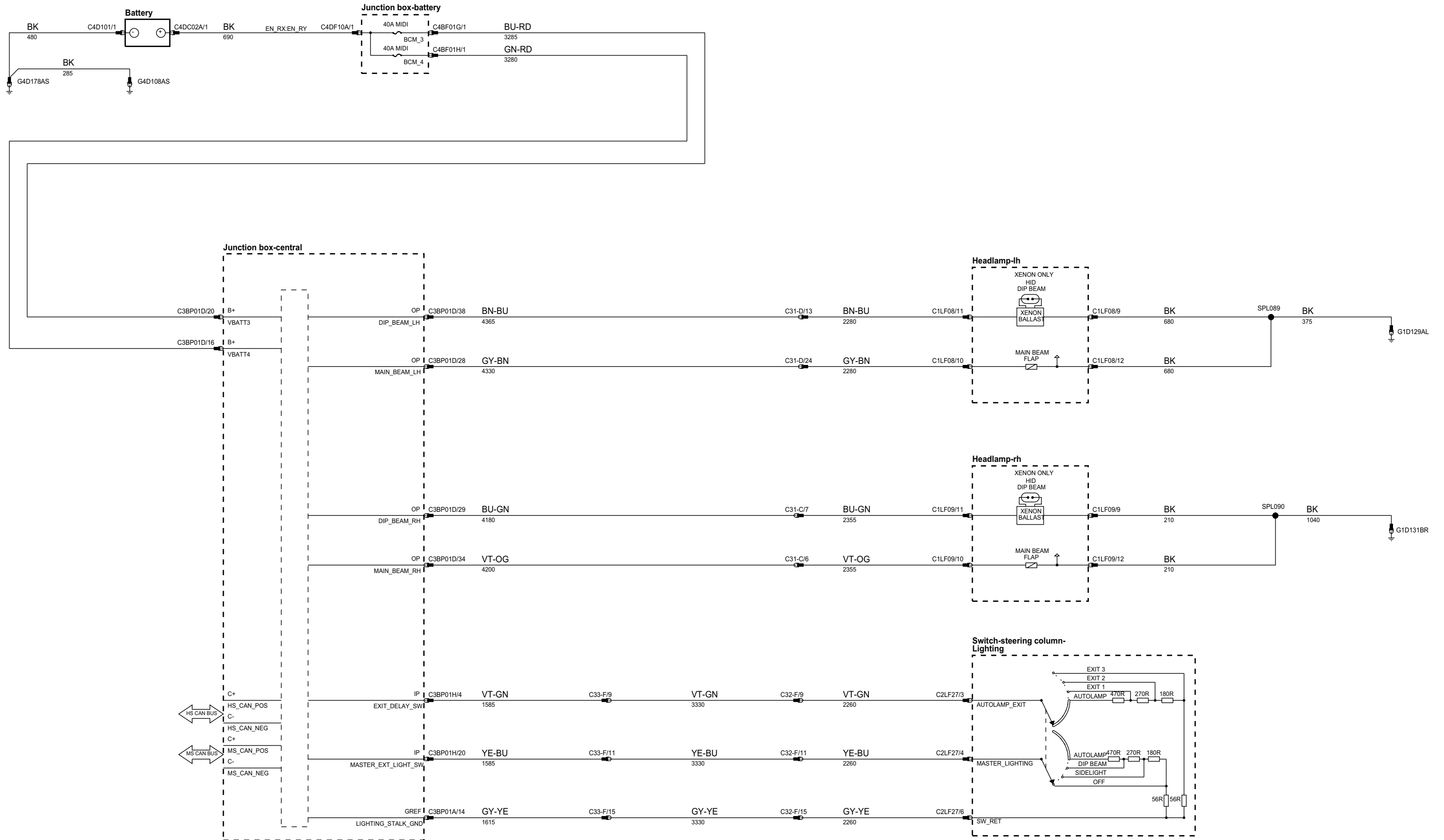
phaw93-70447-b-a6



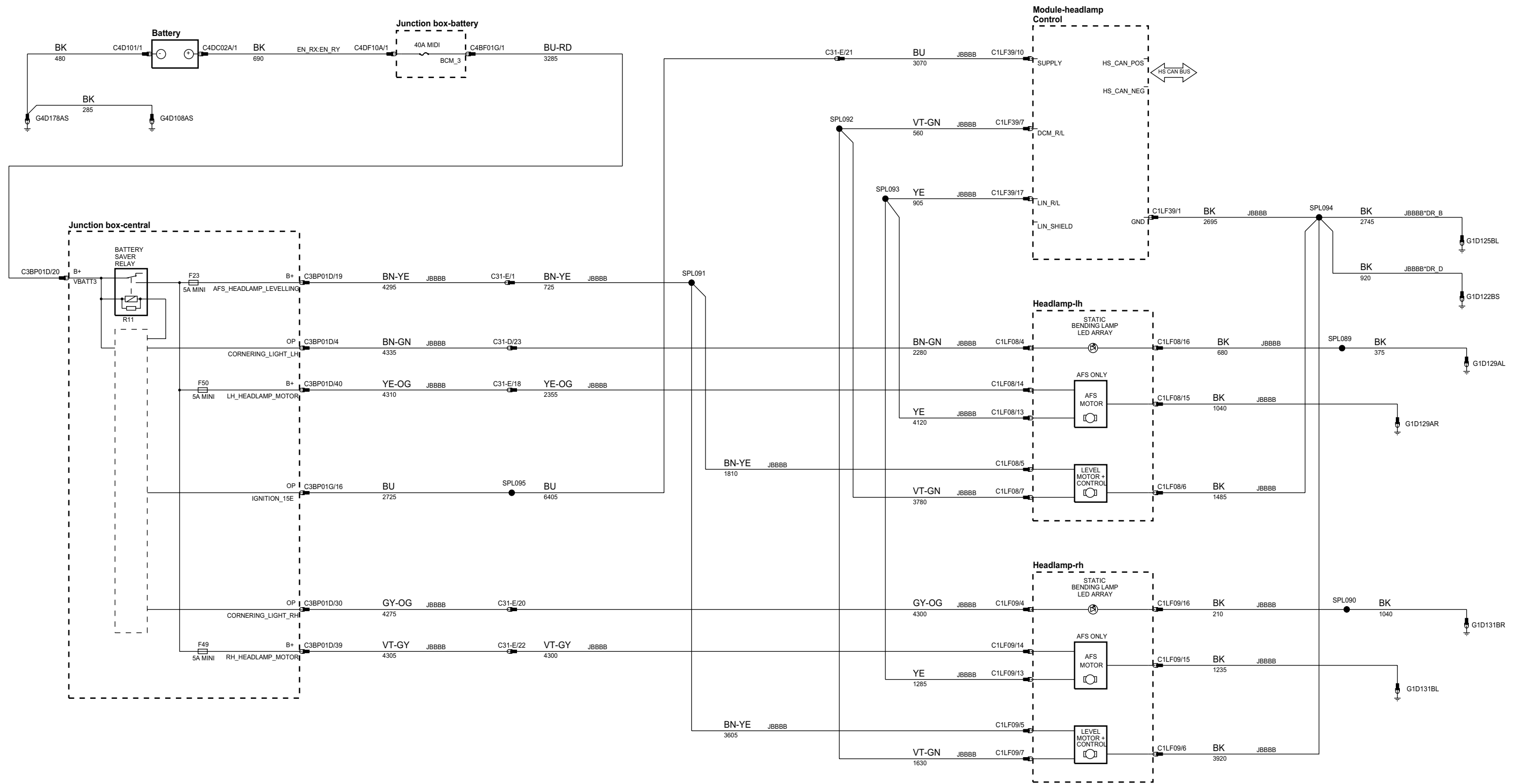
phaw93-70456-a-a6



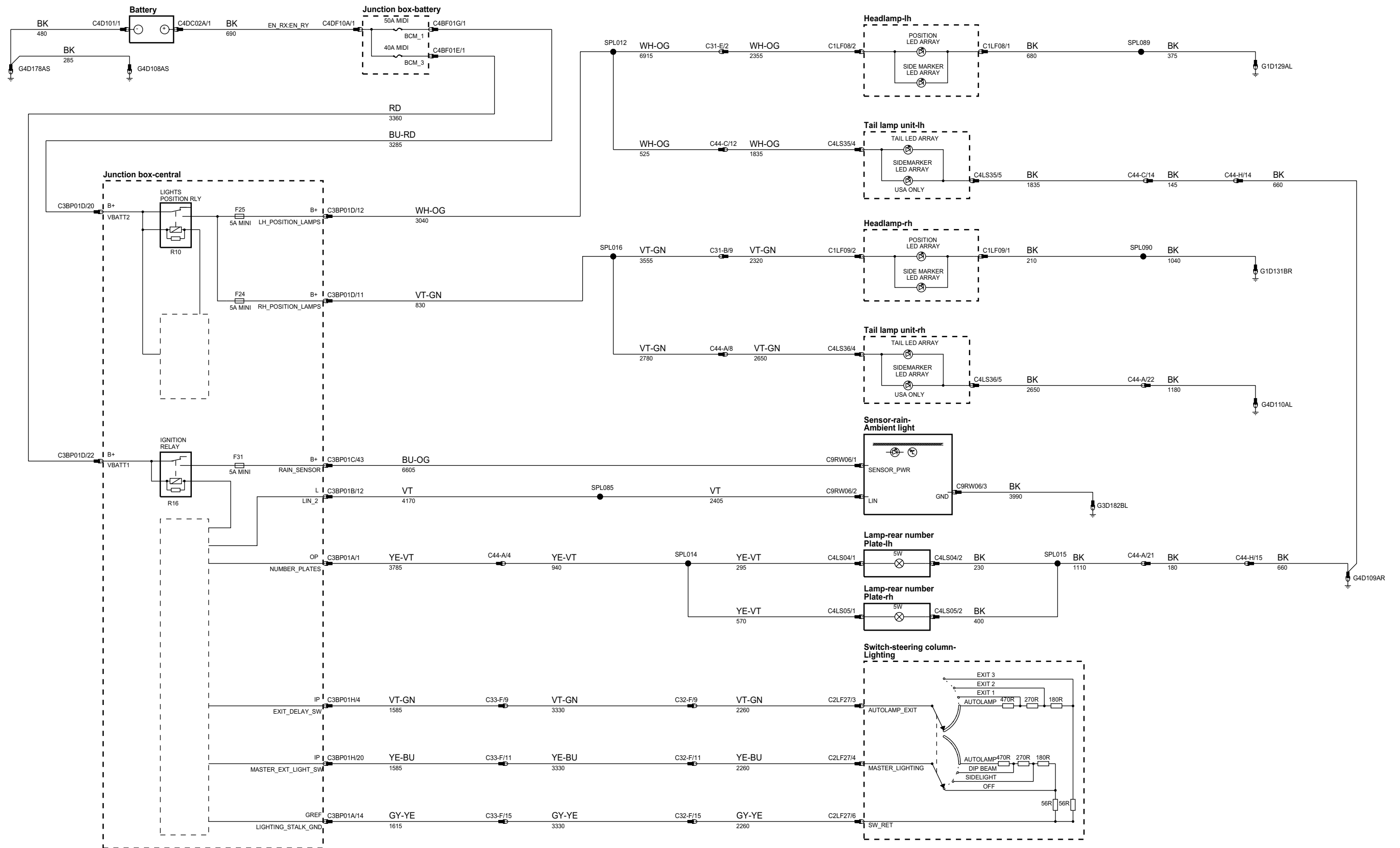
phaw93-70061-a-a6



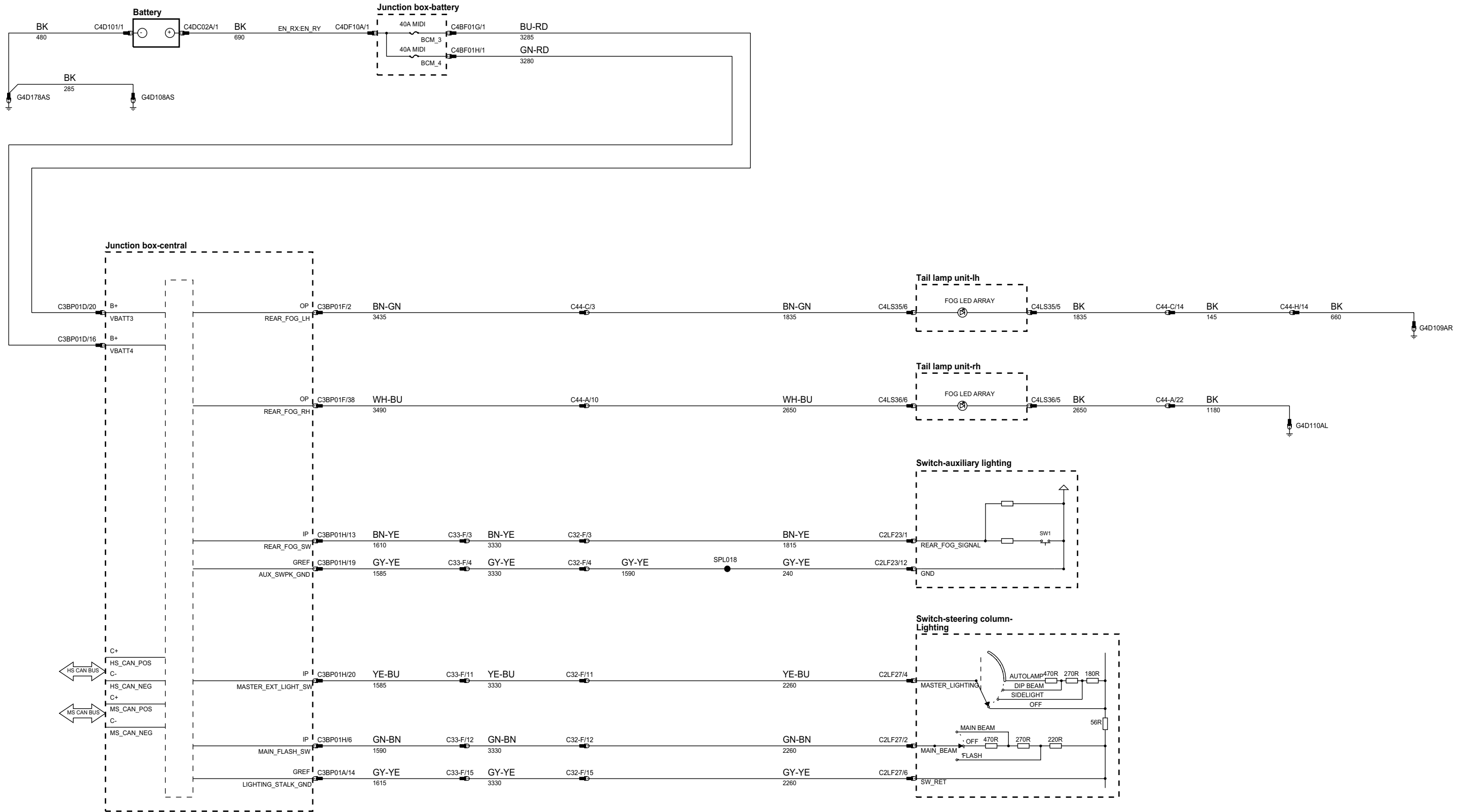
phaw93-70061-b-a6



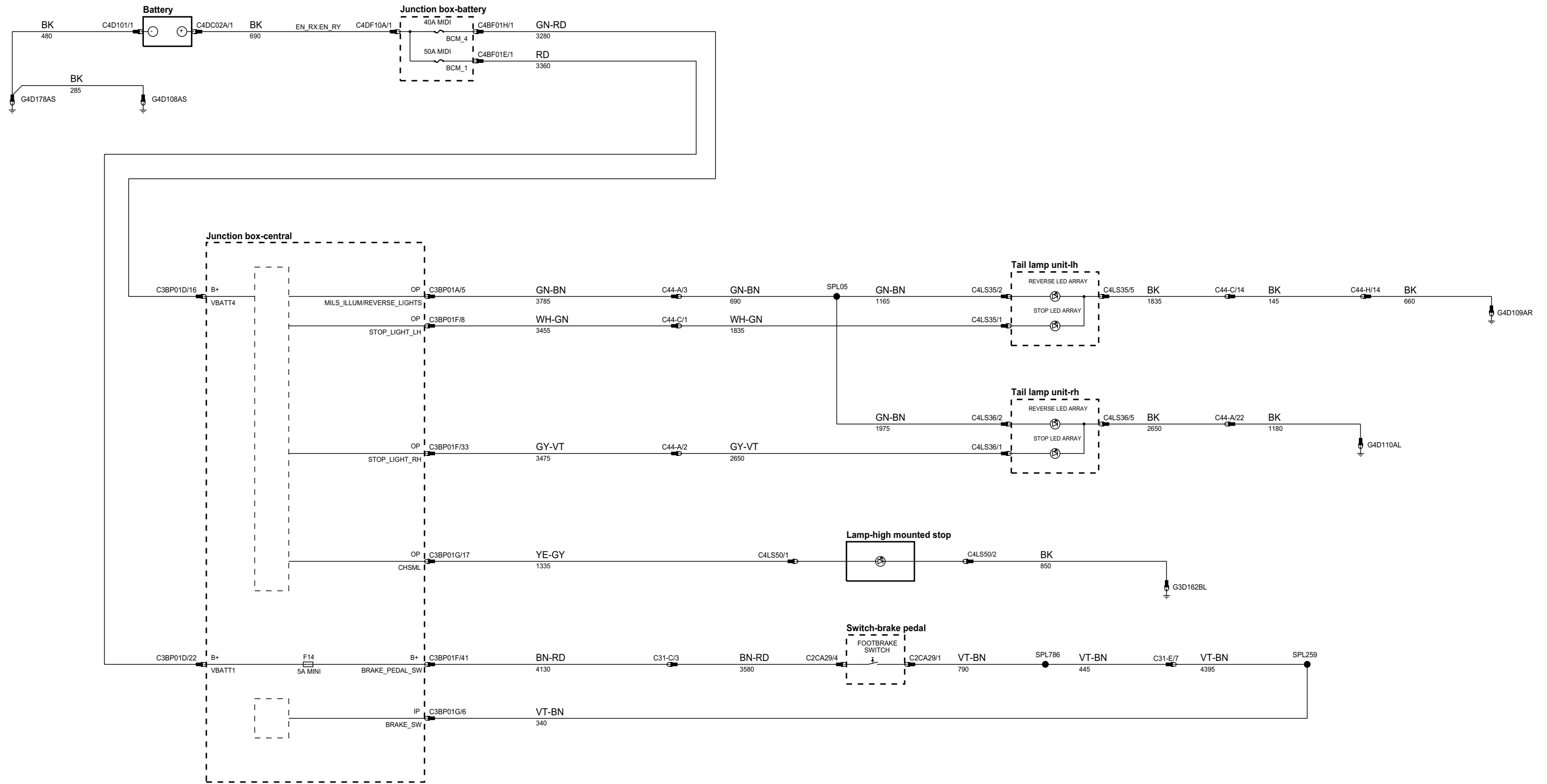
phaw93-70086-a-a6



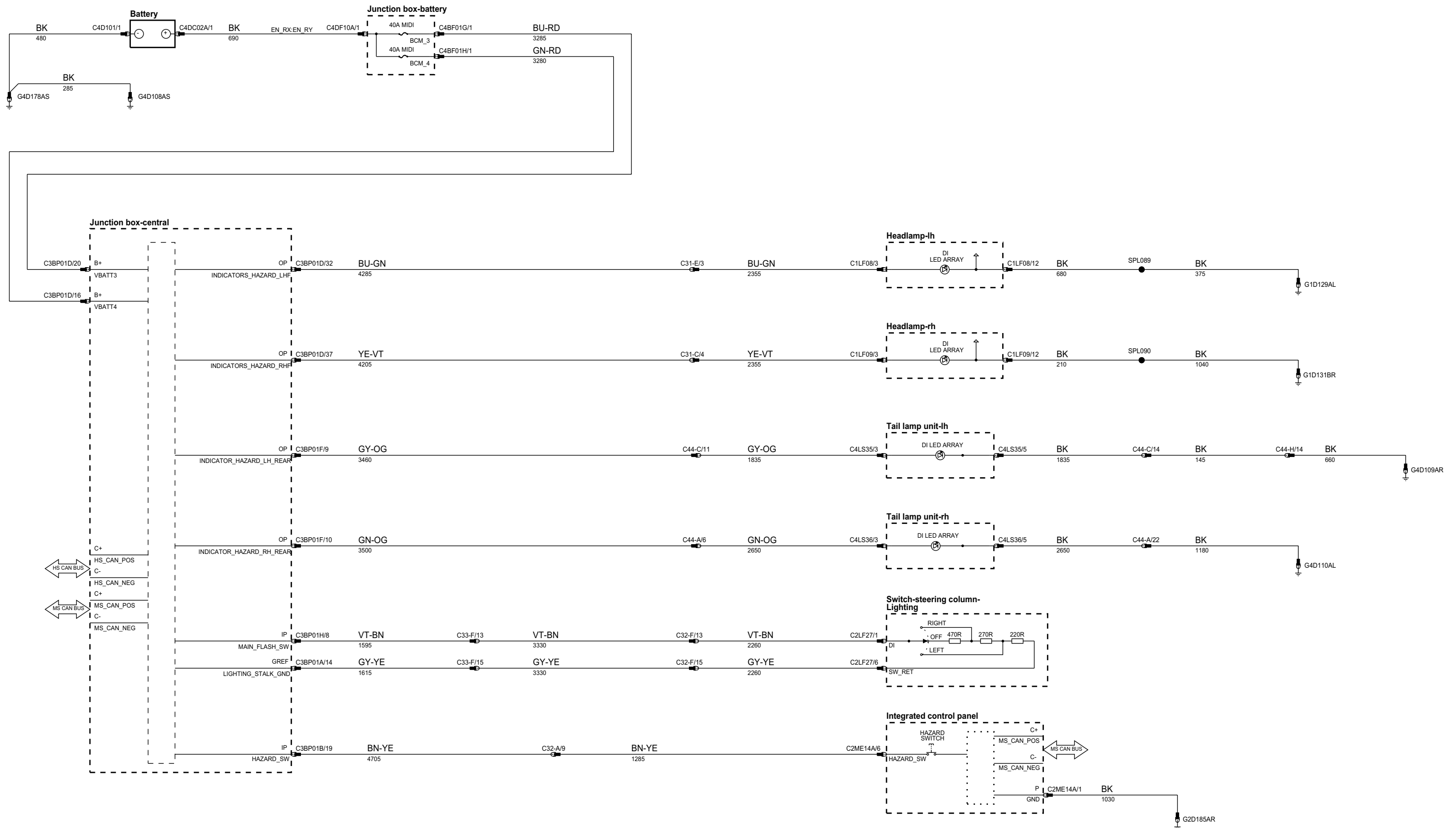
phaw93-70072-a-a6



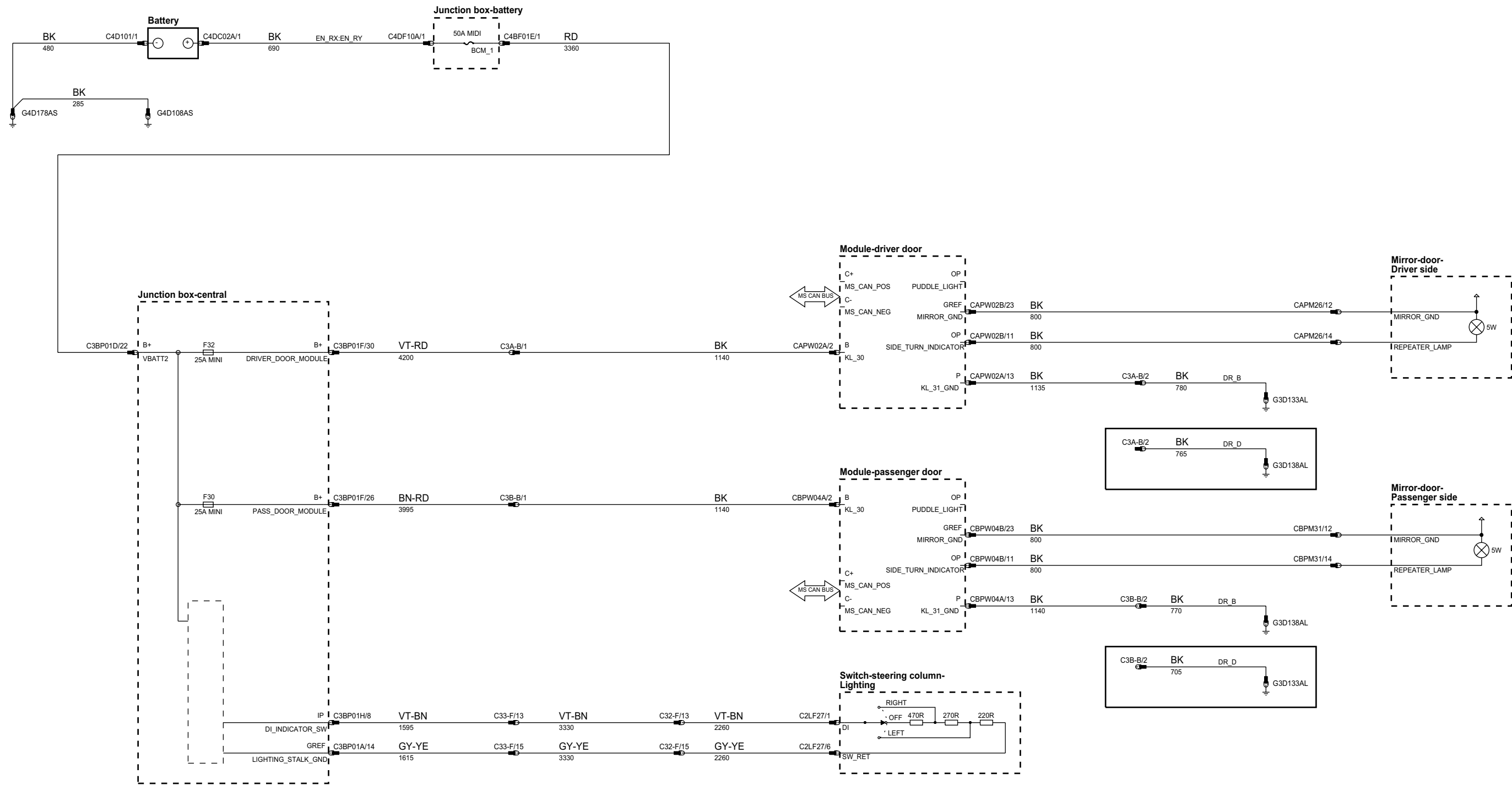
phaw93-70075-a-a6



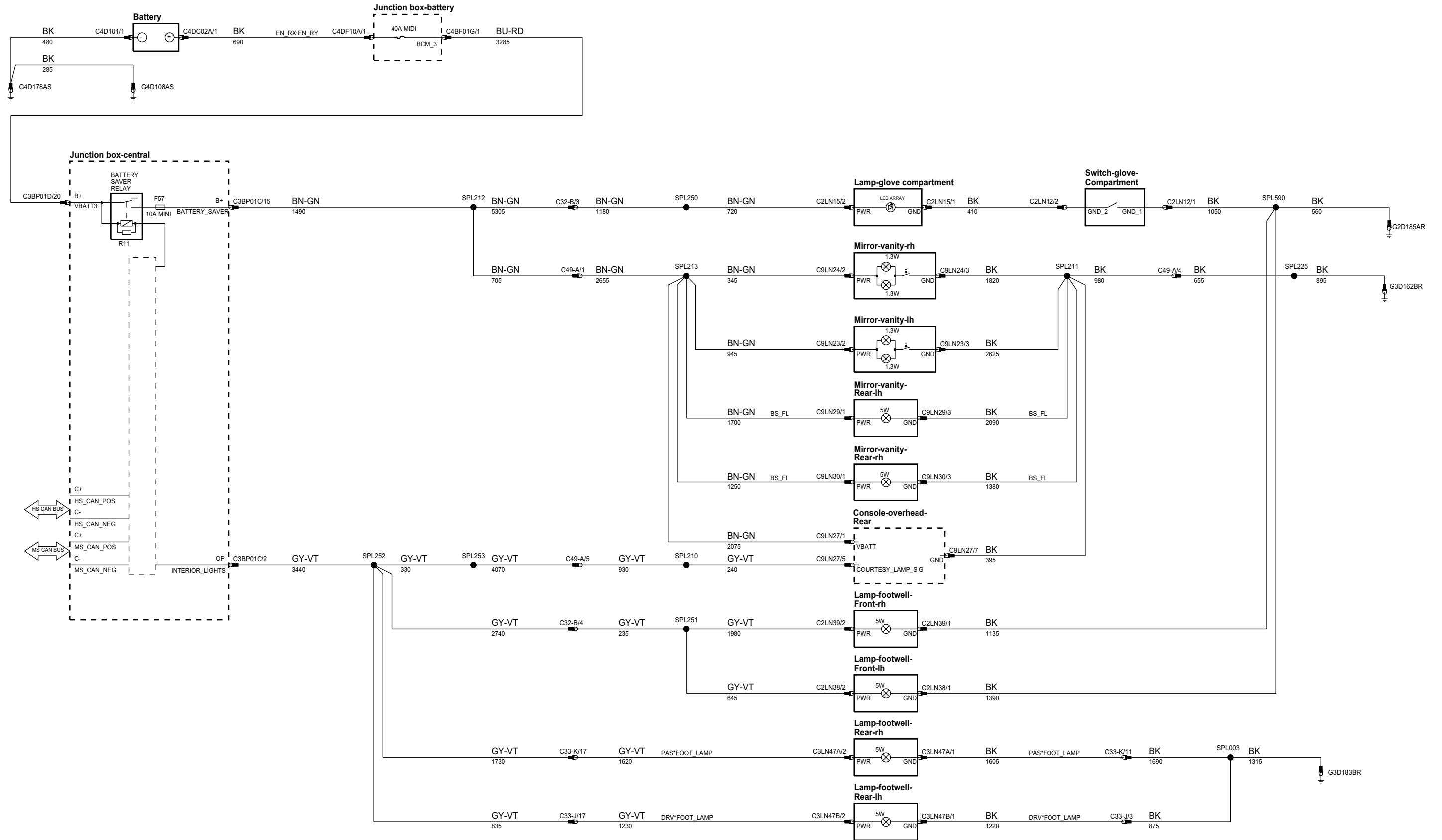
phaw93-70078-a-a6



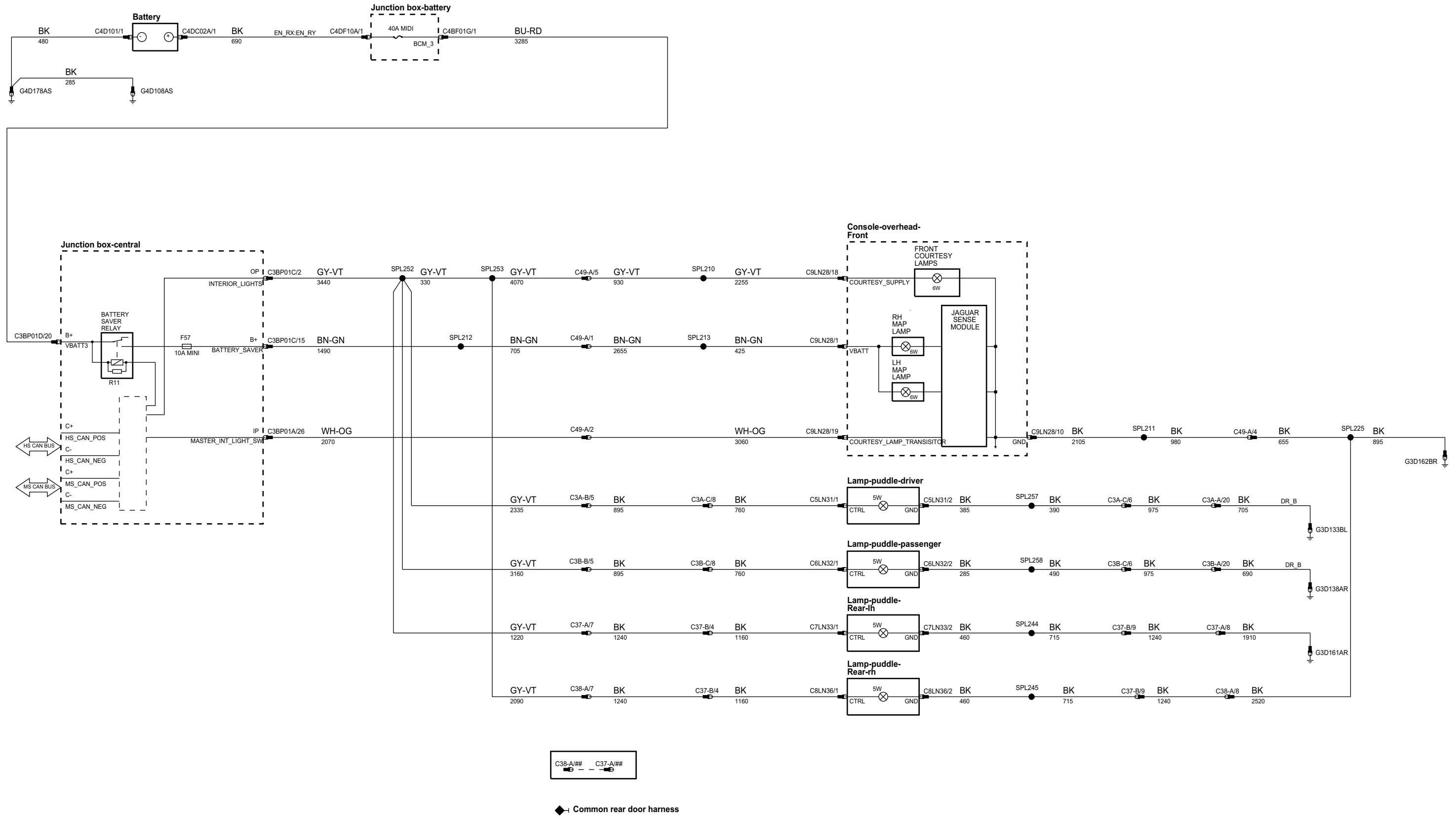
phaw93-70080-a-a6



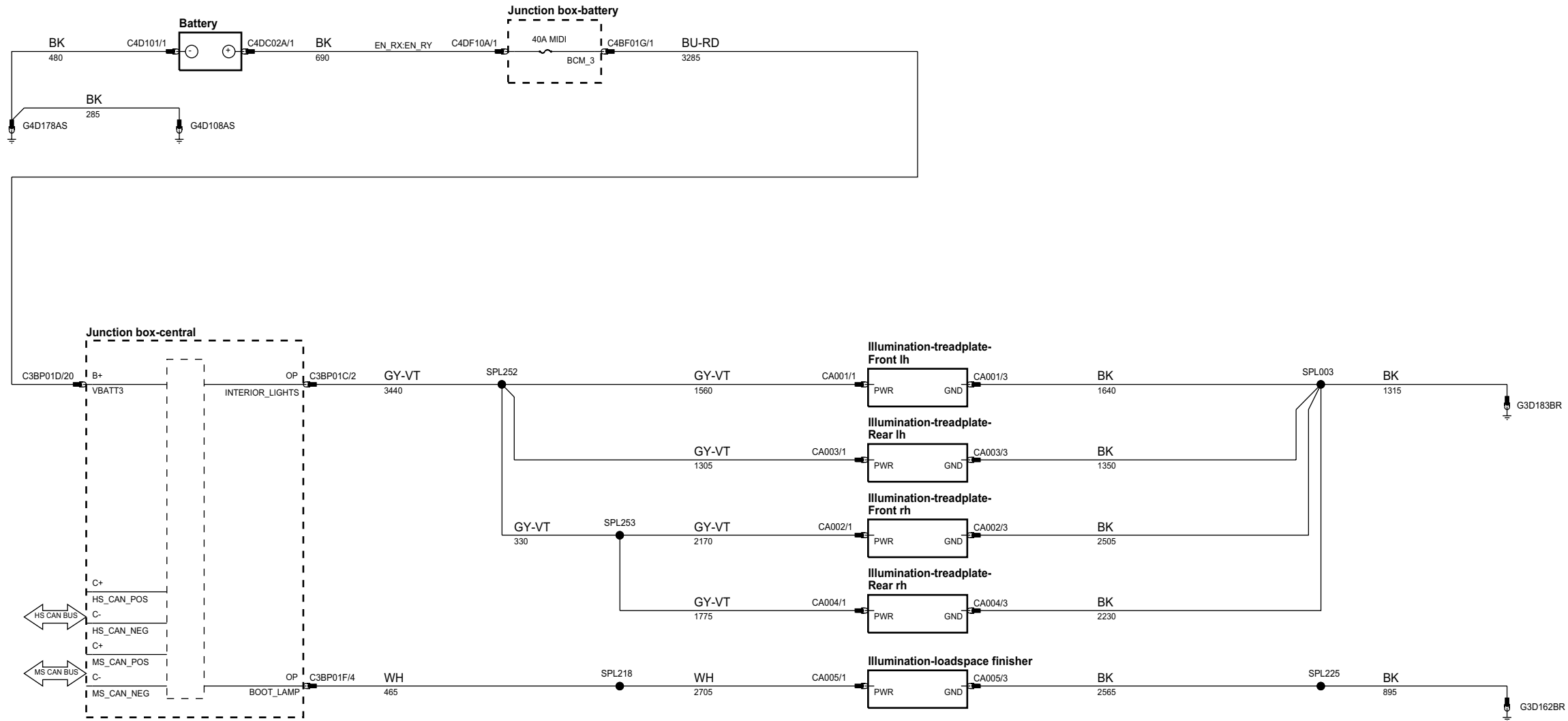
phaw93-70101-a-a6



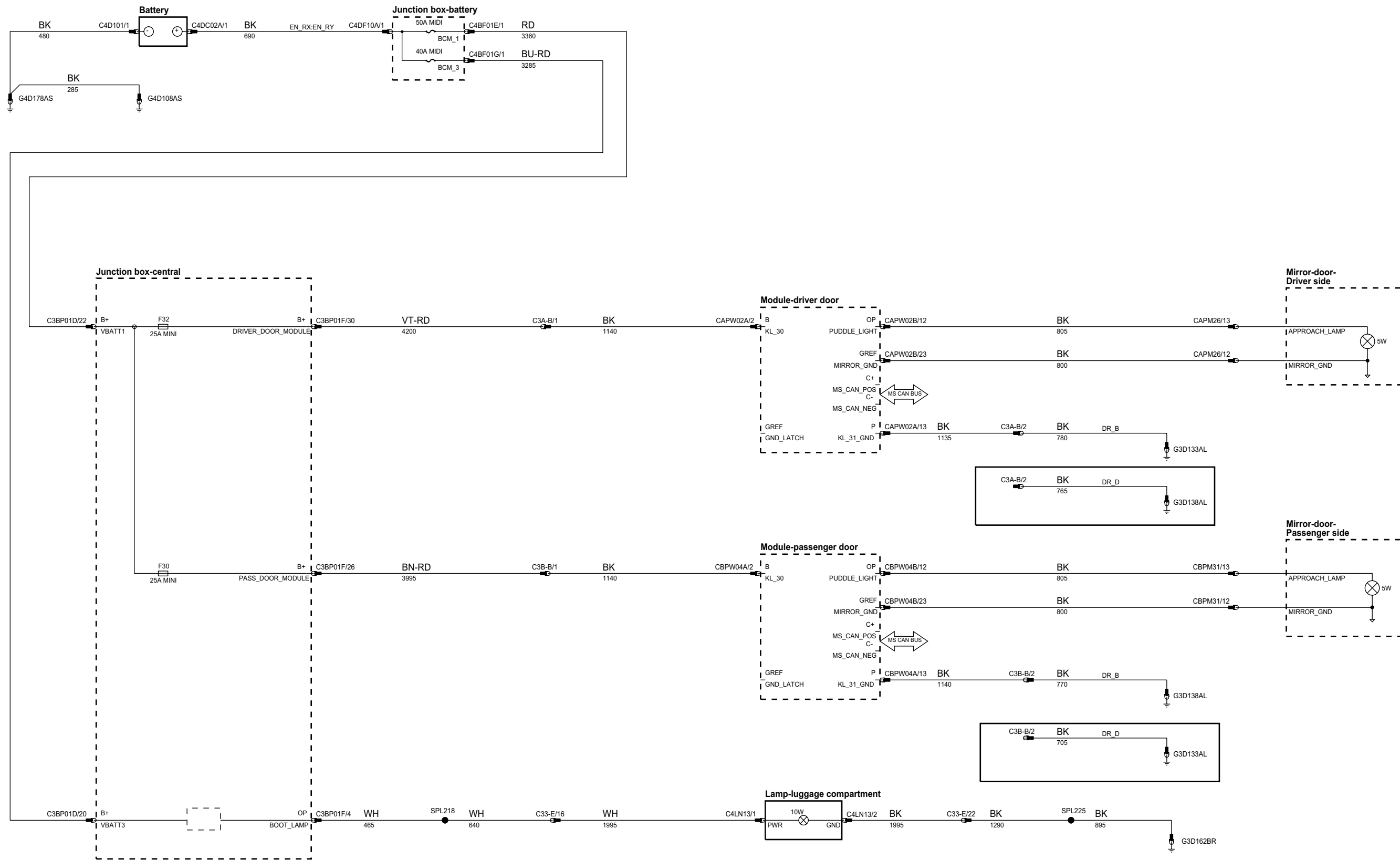
phaw93-70101-b-a6



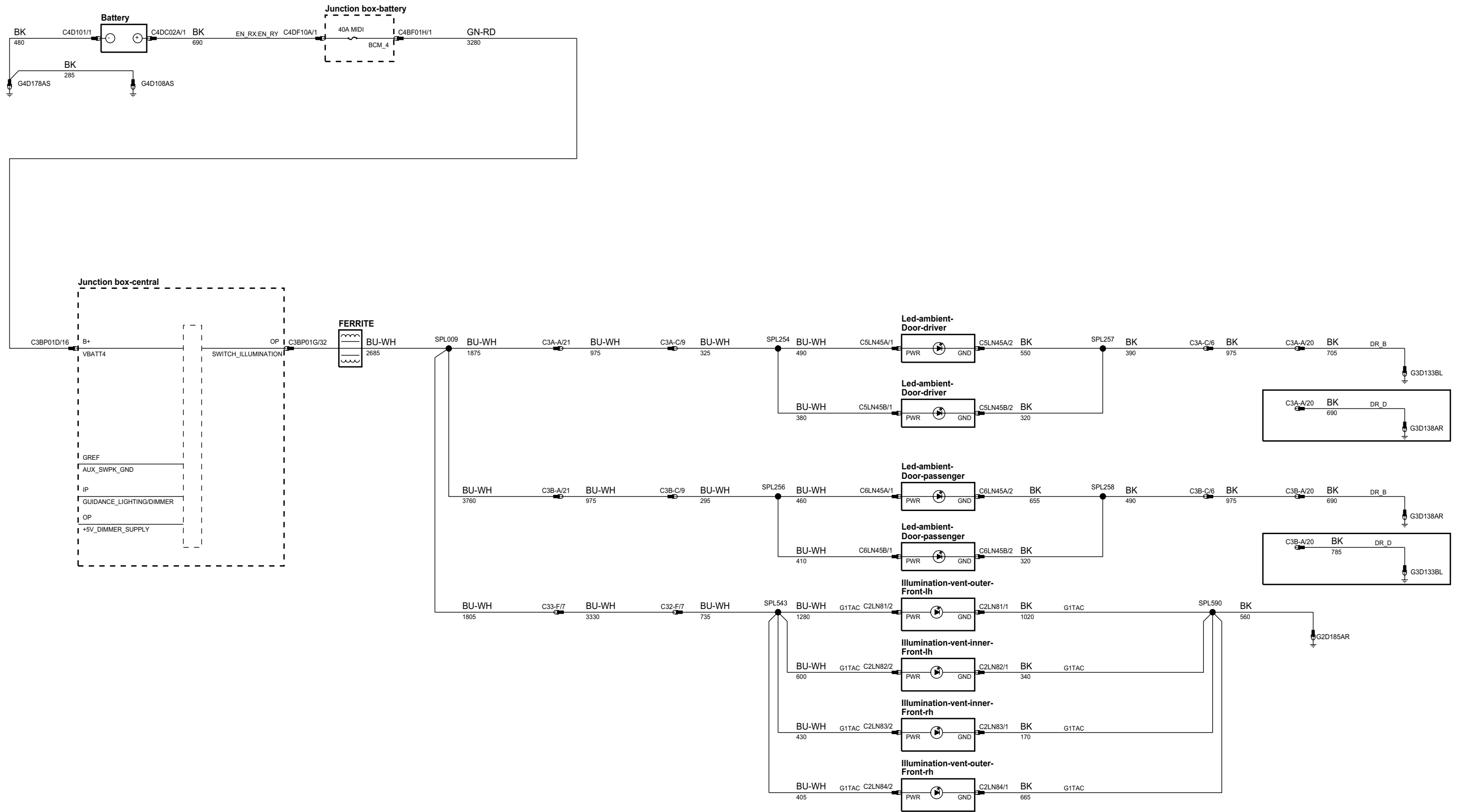
phaw93-70101-c-a6



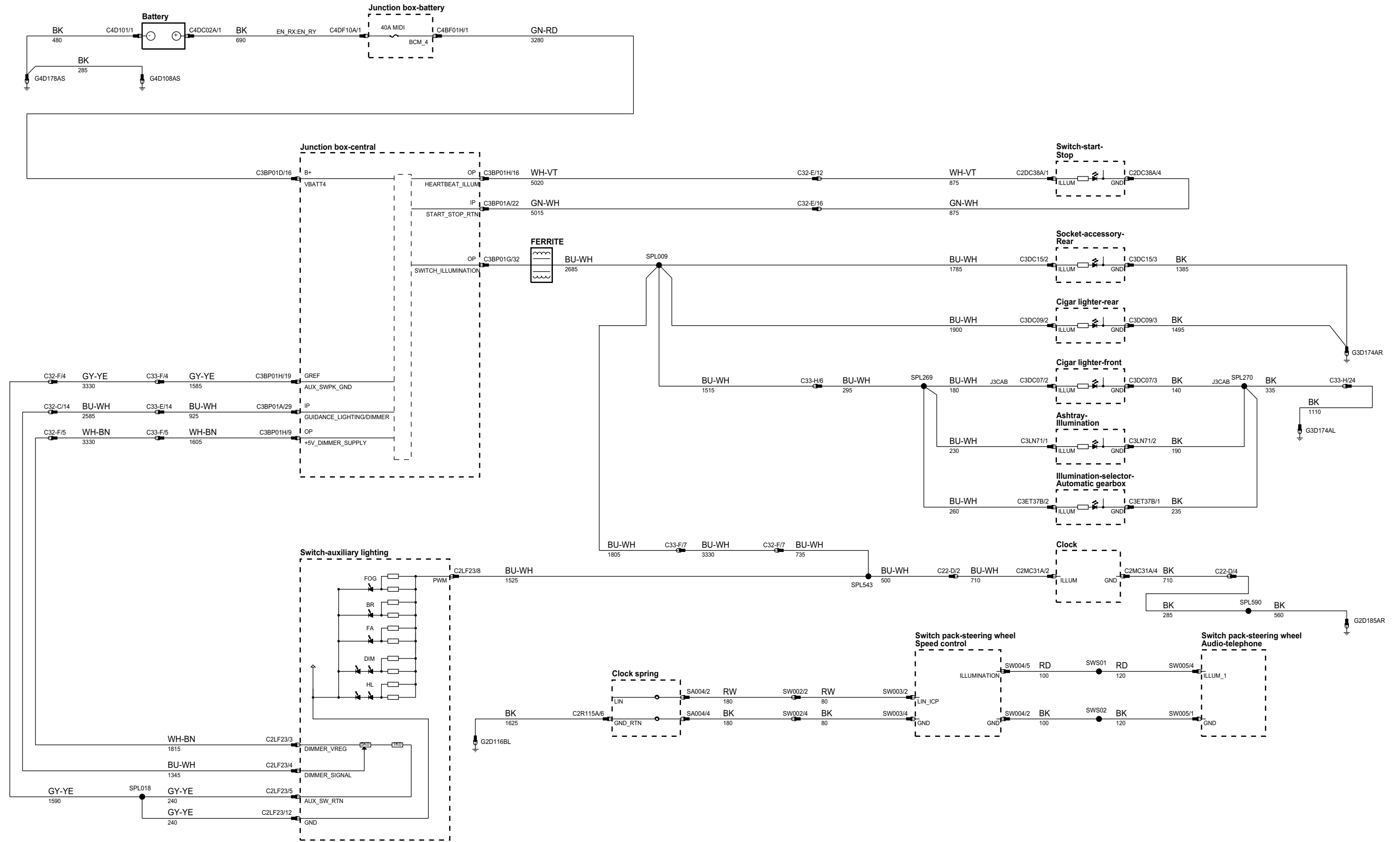
phaw93-70104-a-a6



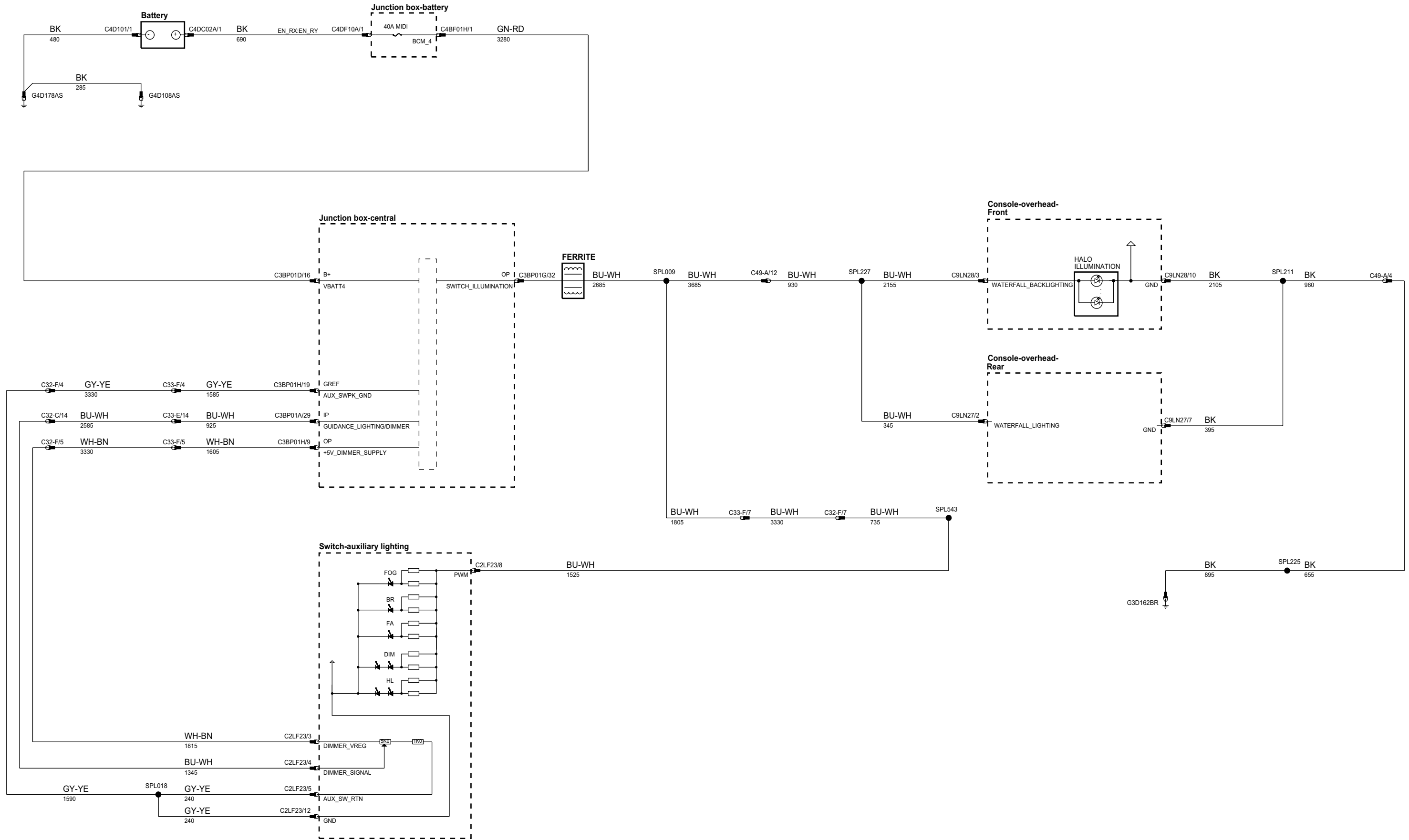
phaw93-70106-a-a6



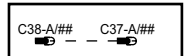
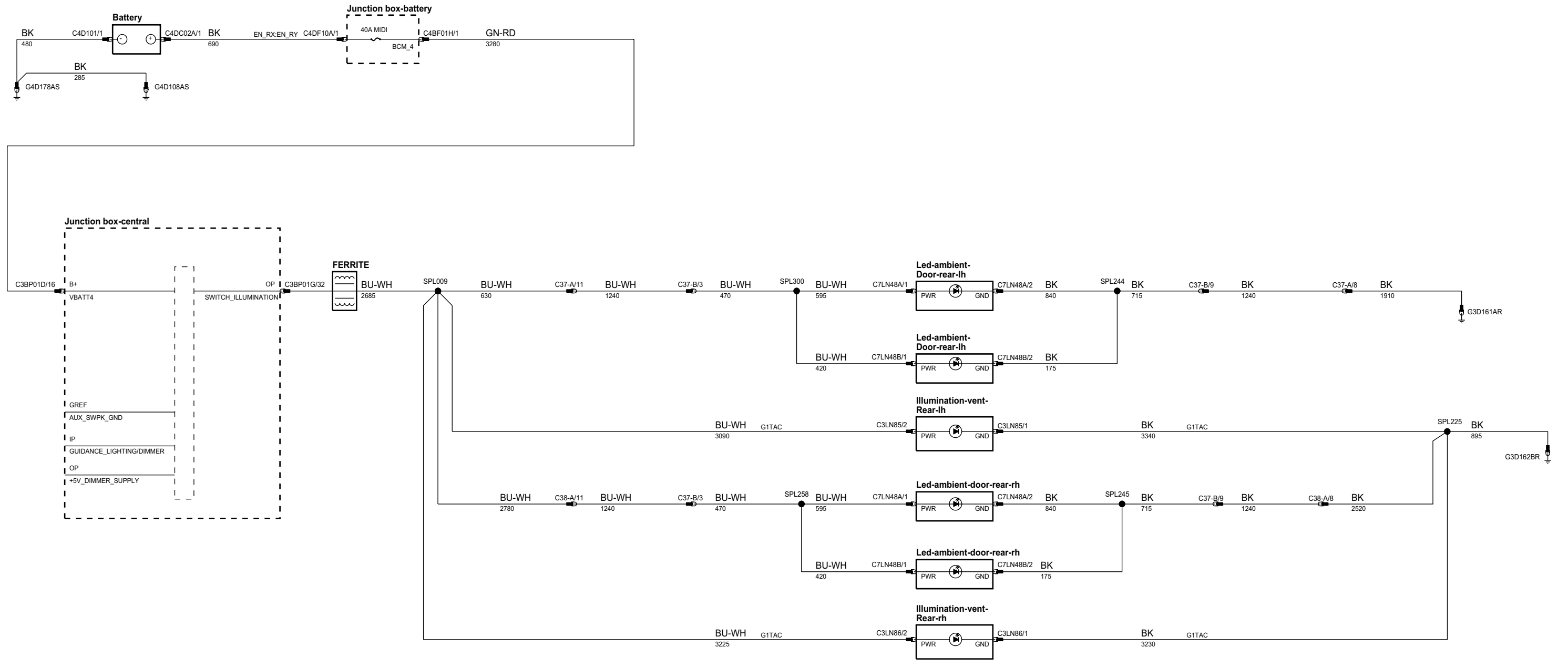
phaw93-70123-a-a6



phaw93-70123-b-a6

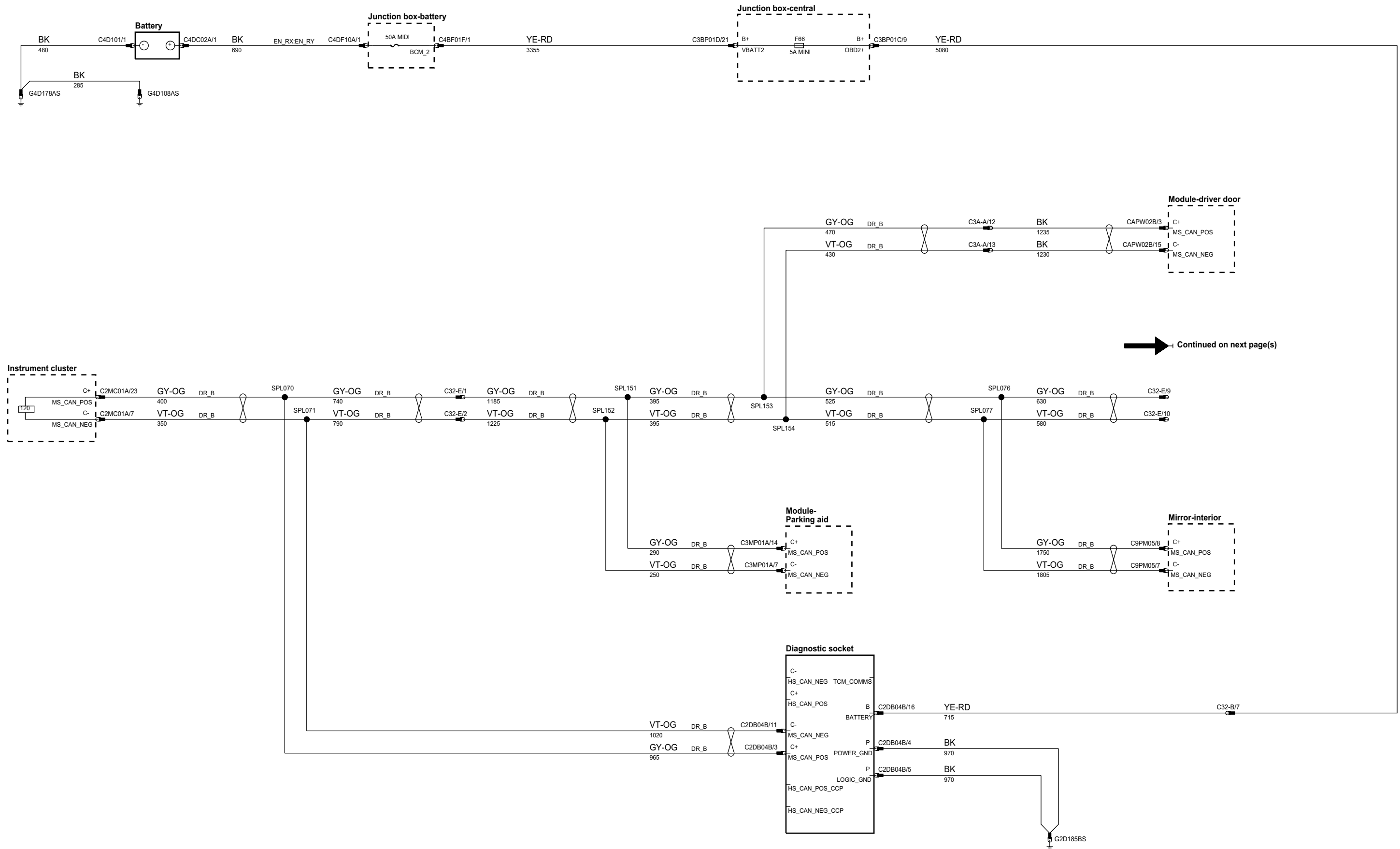


phaw93-70106-b-a6



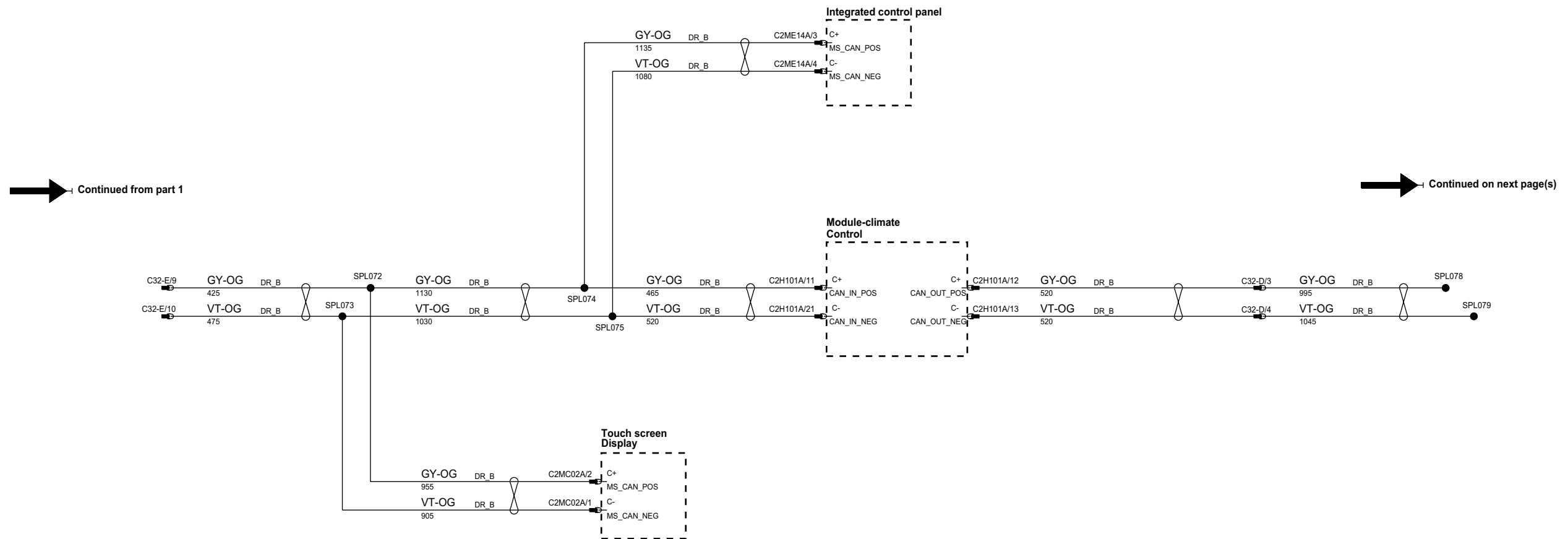
◆ Common rear door harness

phaw93-70016-a-a6



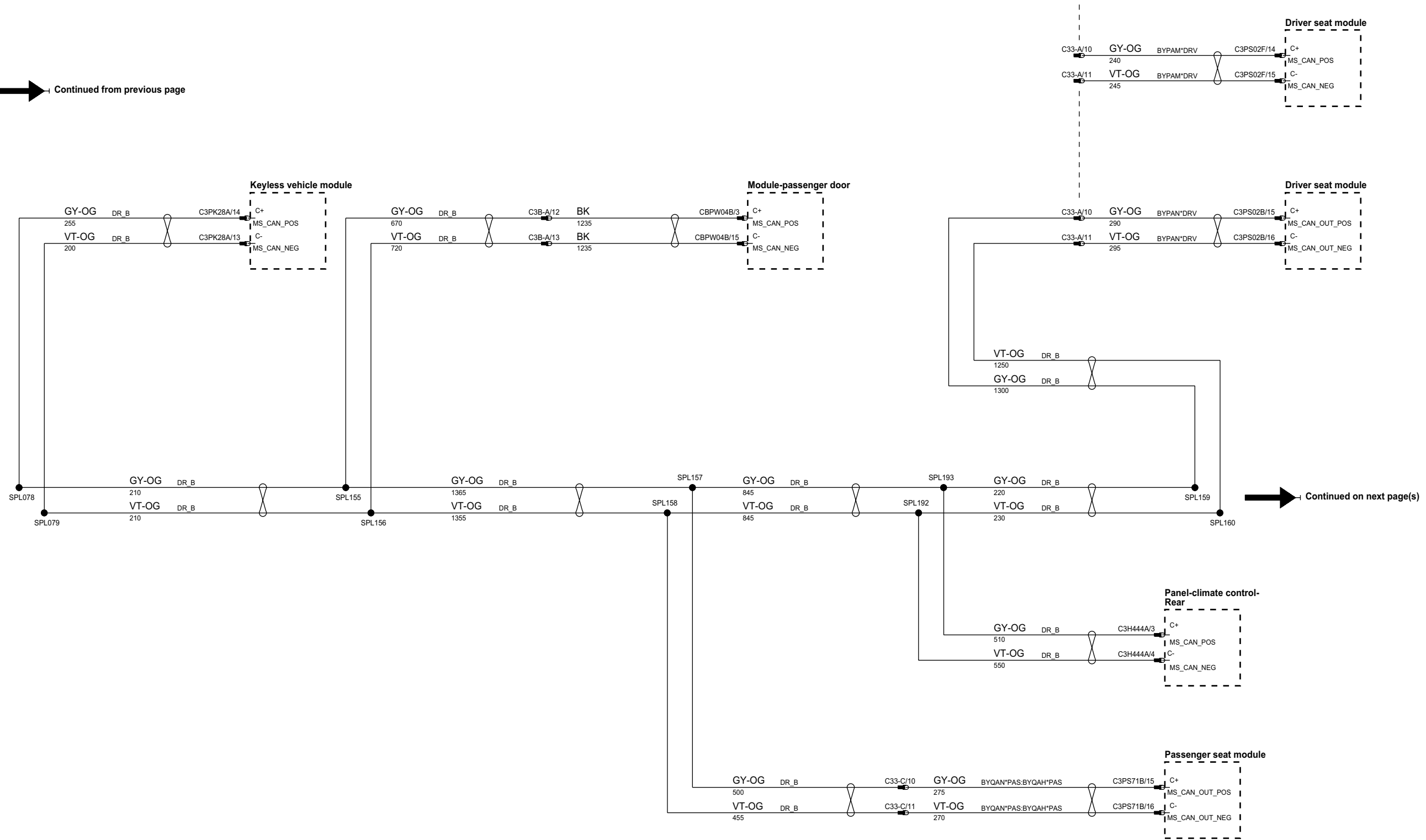
Continued on next page(s)

phaw93-70016-b-a6



phaw93-70016-c-a6

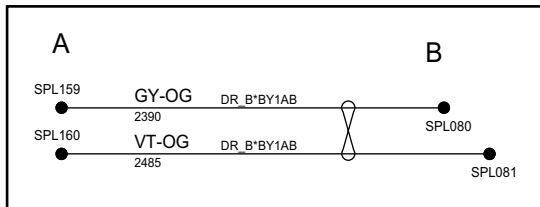
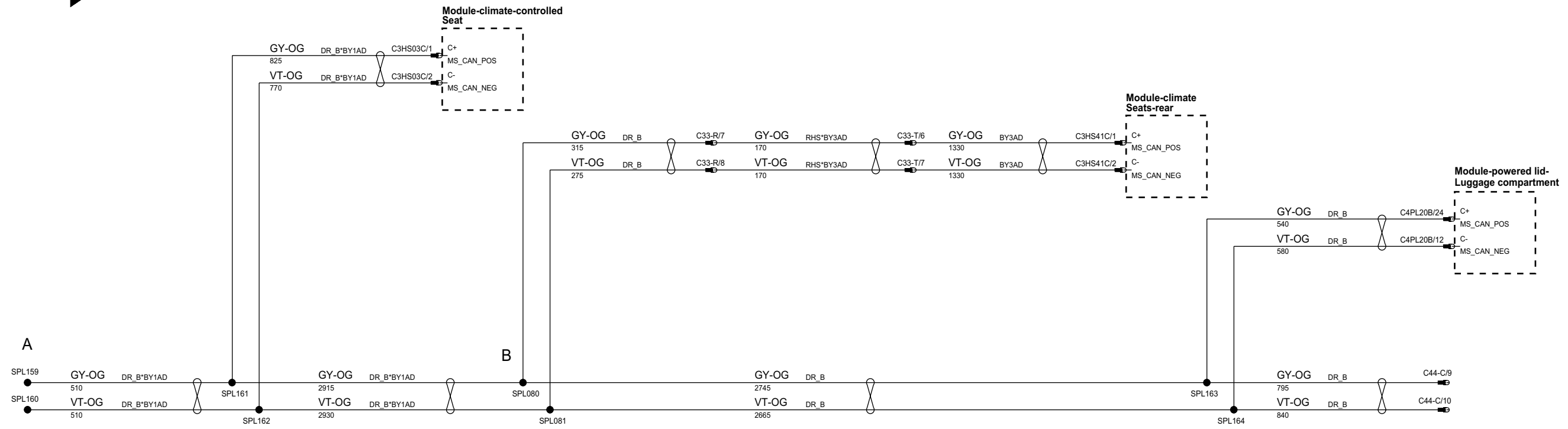
Continued from previous page



Continued on next page(s)

phaw93-70016-d-a6

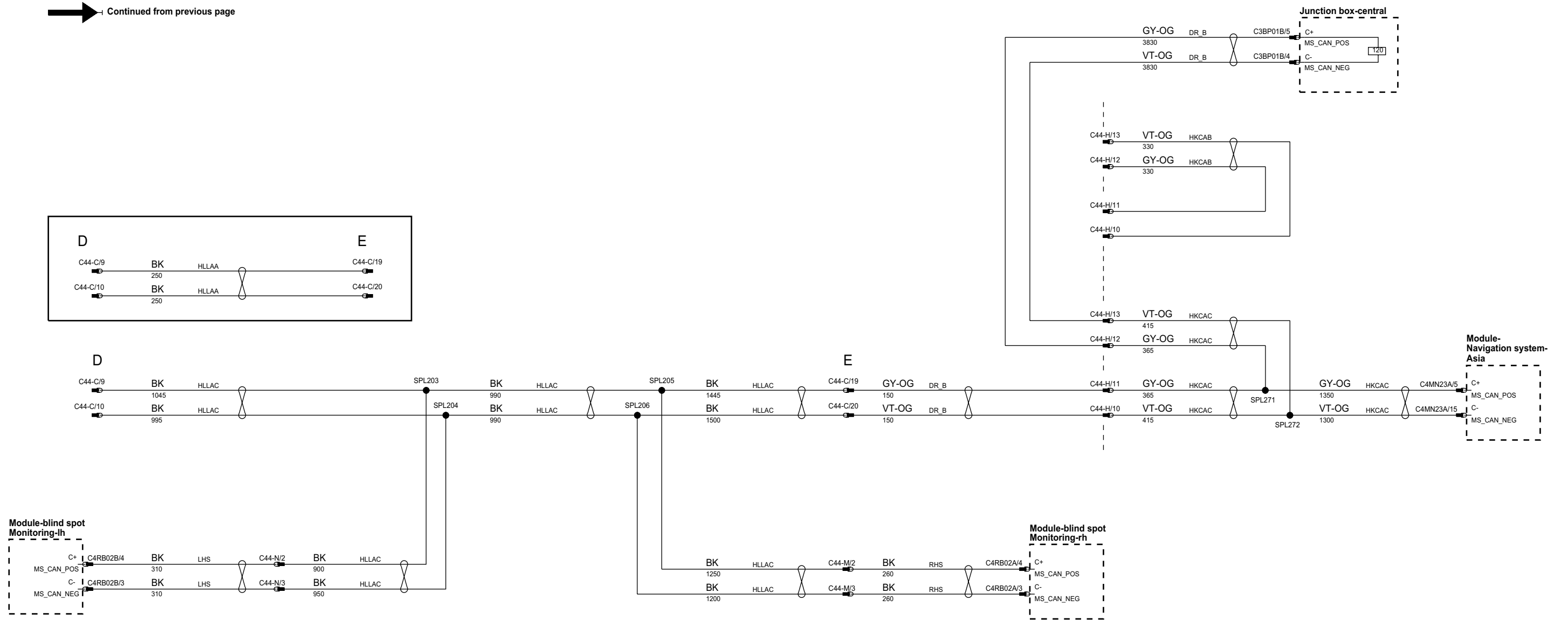
Continued from previous page



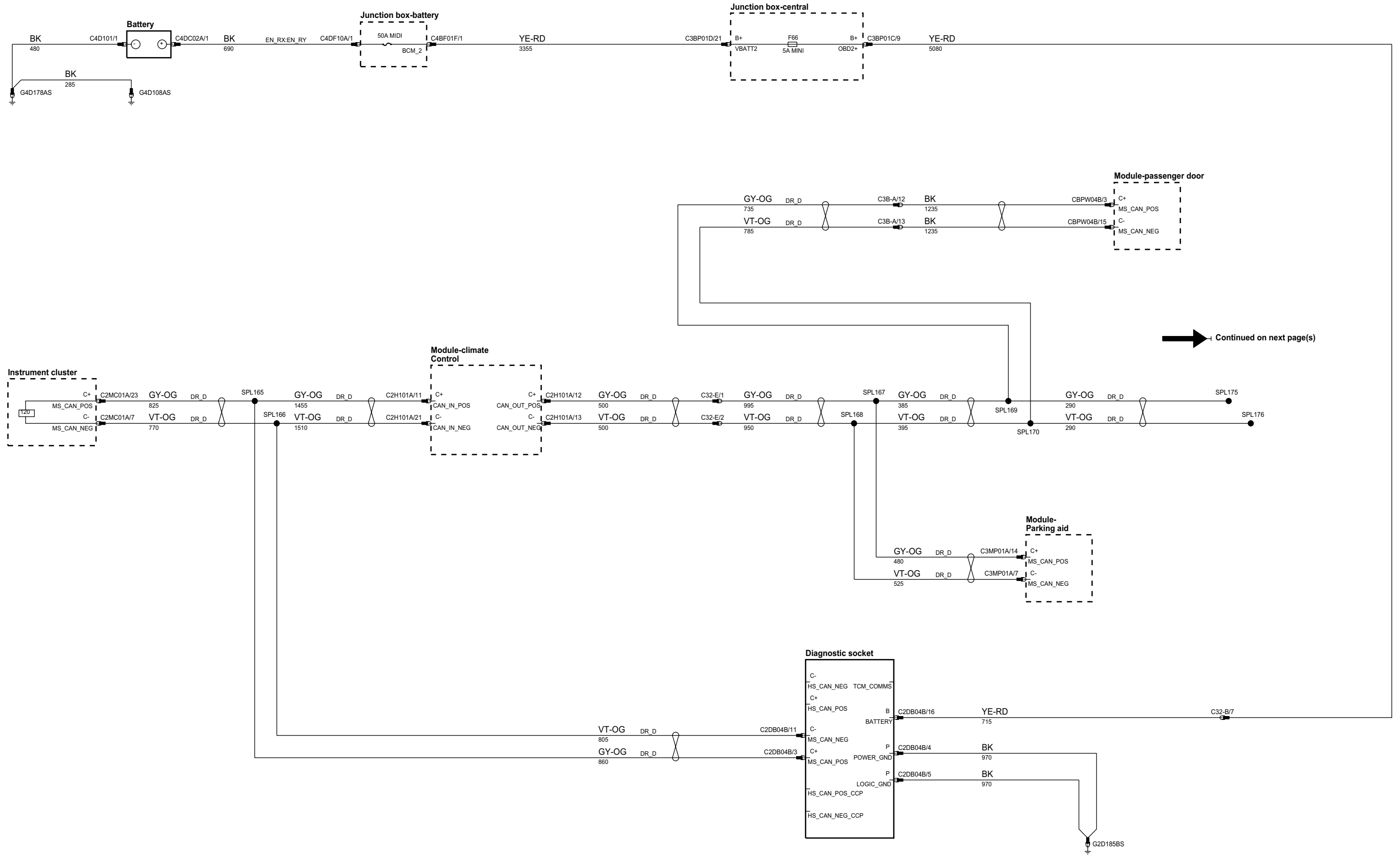
Continued on next page(s)

phaw93-70016-v-a6

Continued from previous page



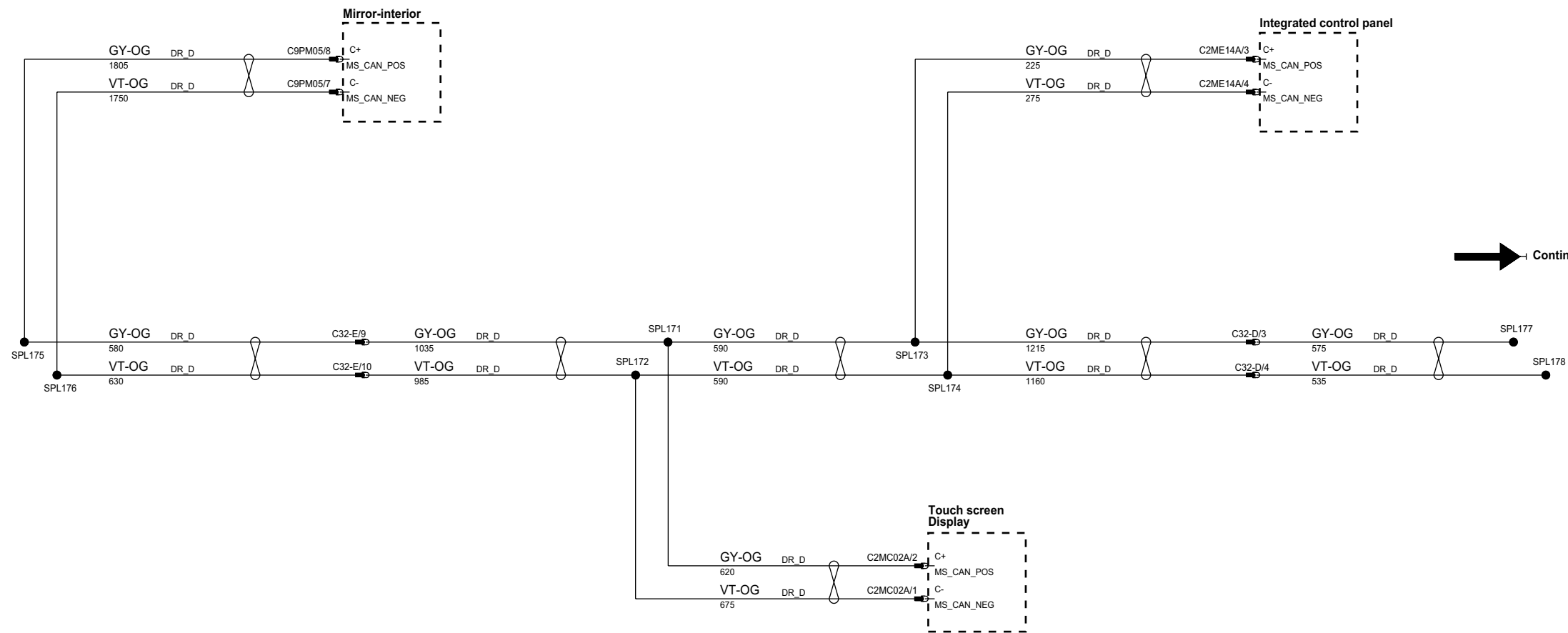
phaw93-70016-e-a6



Continued on next page(s)

phaw93-70016-f-a6

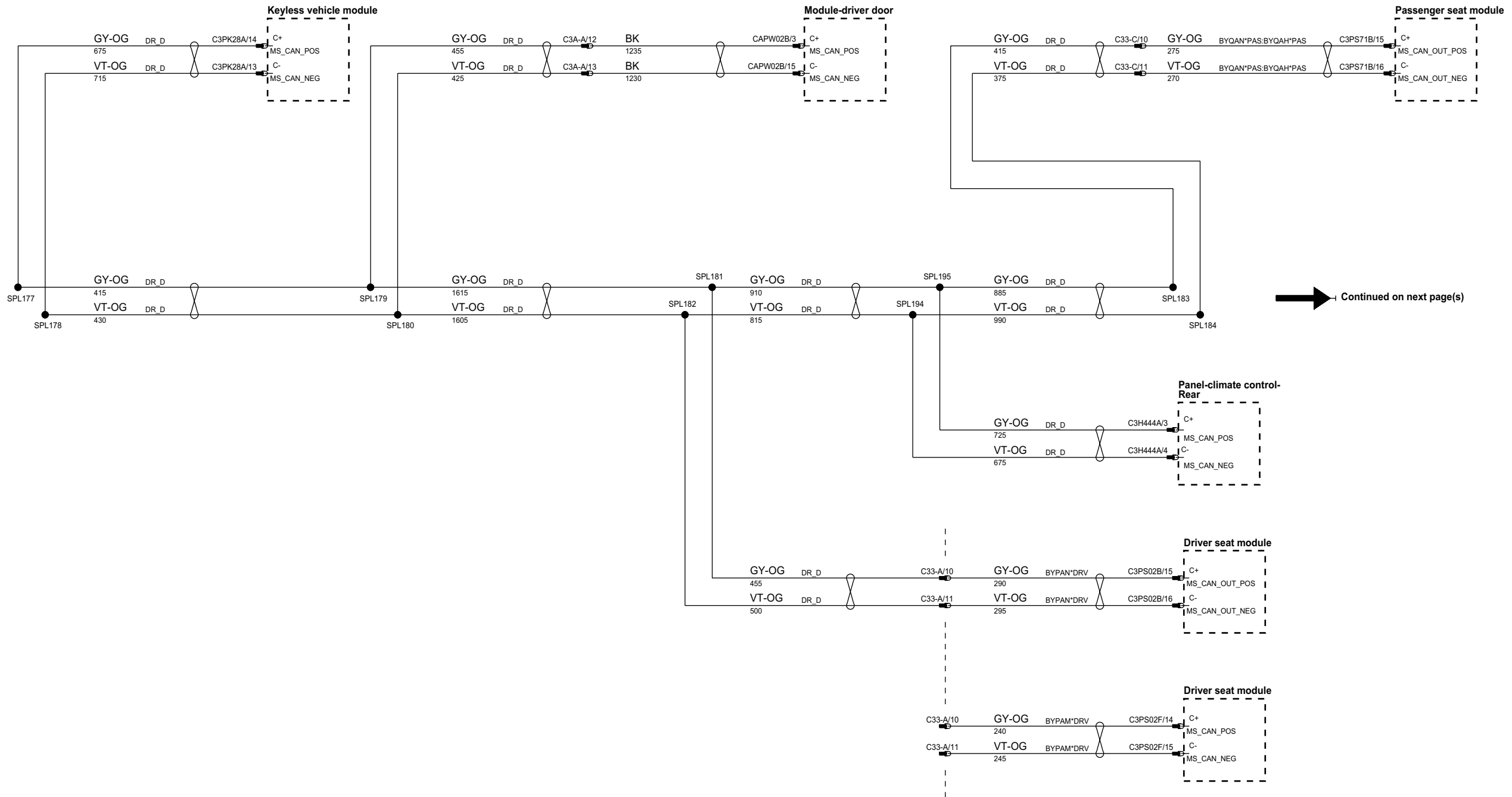
Continued from previous page



Continued on next page(s)

phaw93-70016-g-a6

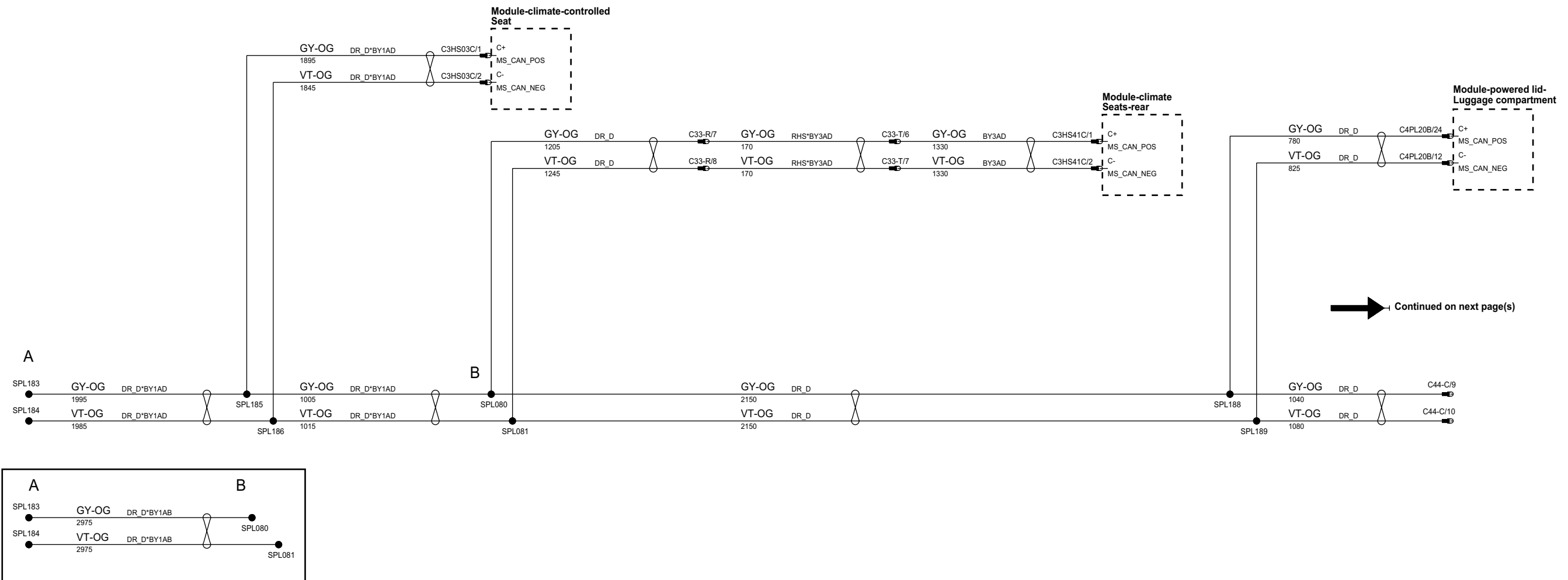
Continued from previous page



Continued on next page(s)

phaw93-70016-h-a6

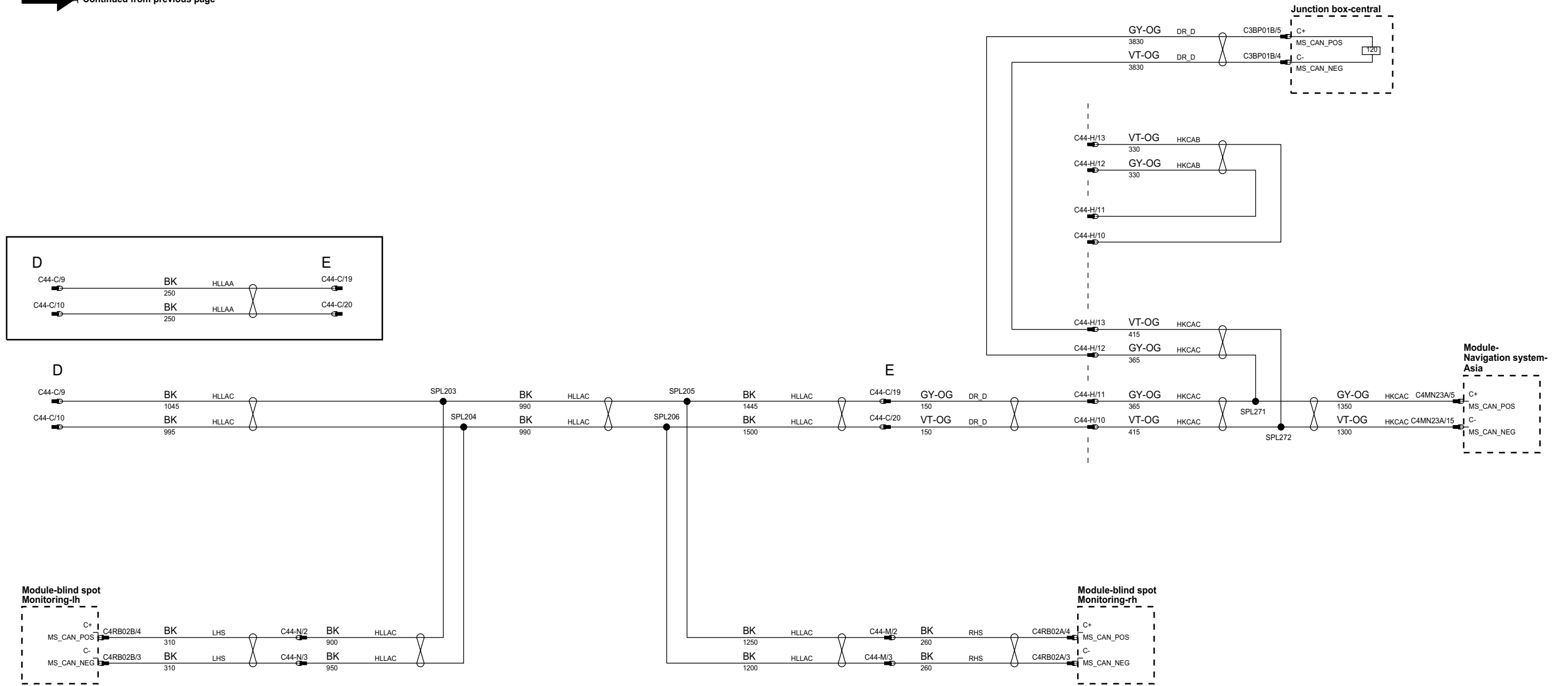
Continued from previous page



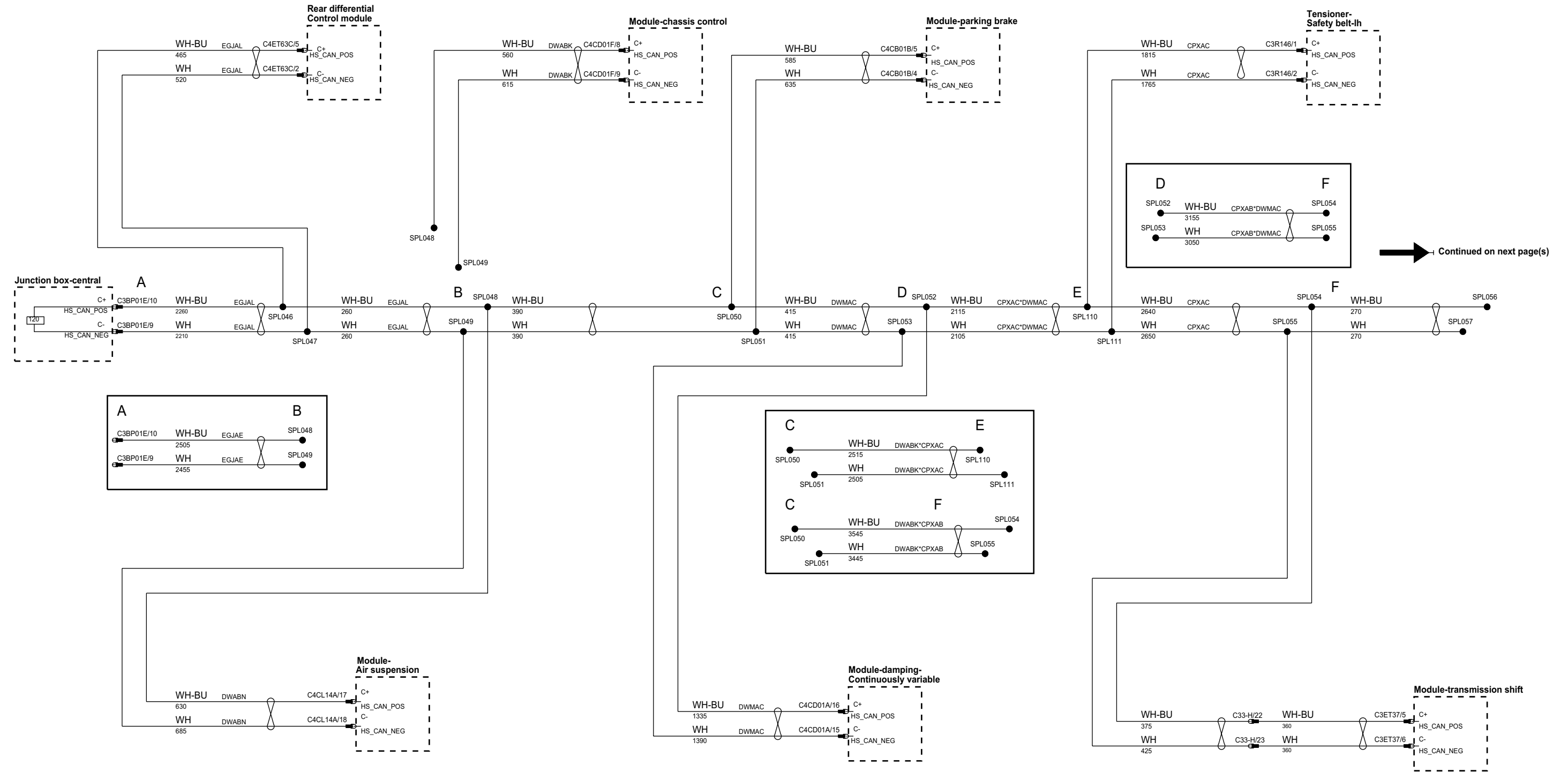
Continued on next page(s)

phaw93-70016-u-a6

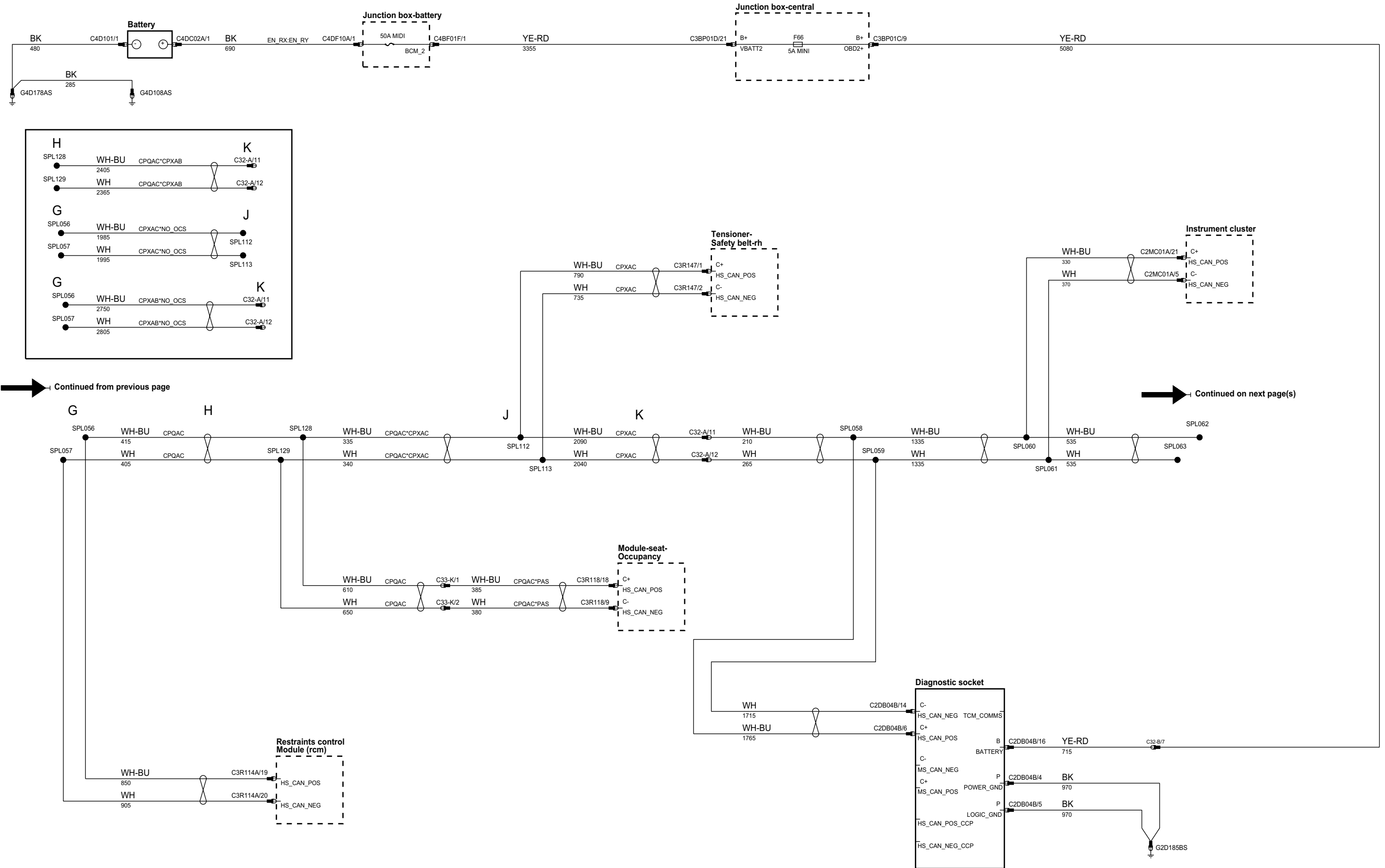
Continued from previous page



phaw93-70016-j-a6



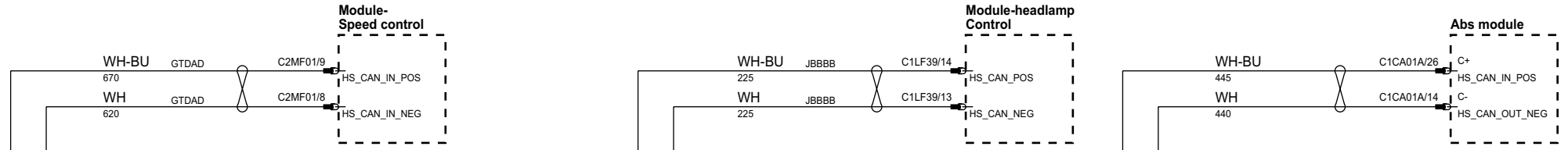
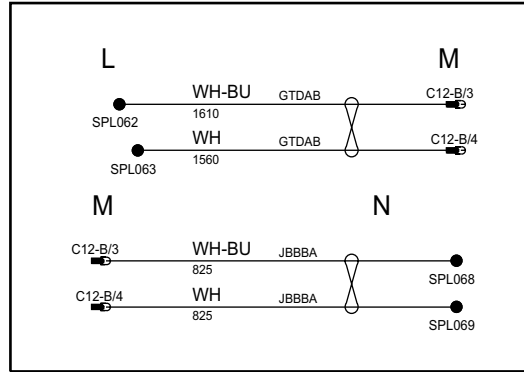
phaw93-70016-k-a6



Continued from previous page

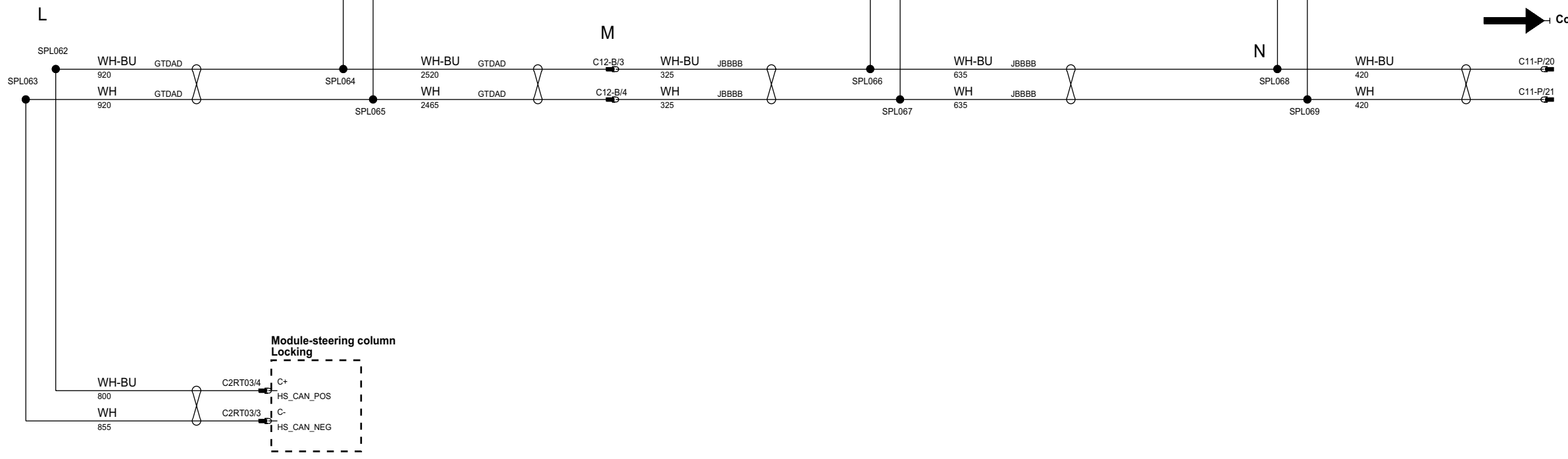
Continued on next page(s)

phaw93-70016+-a6

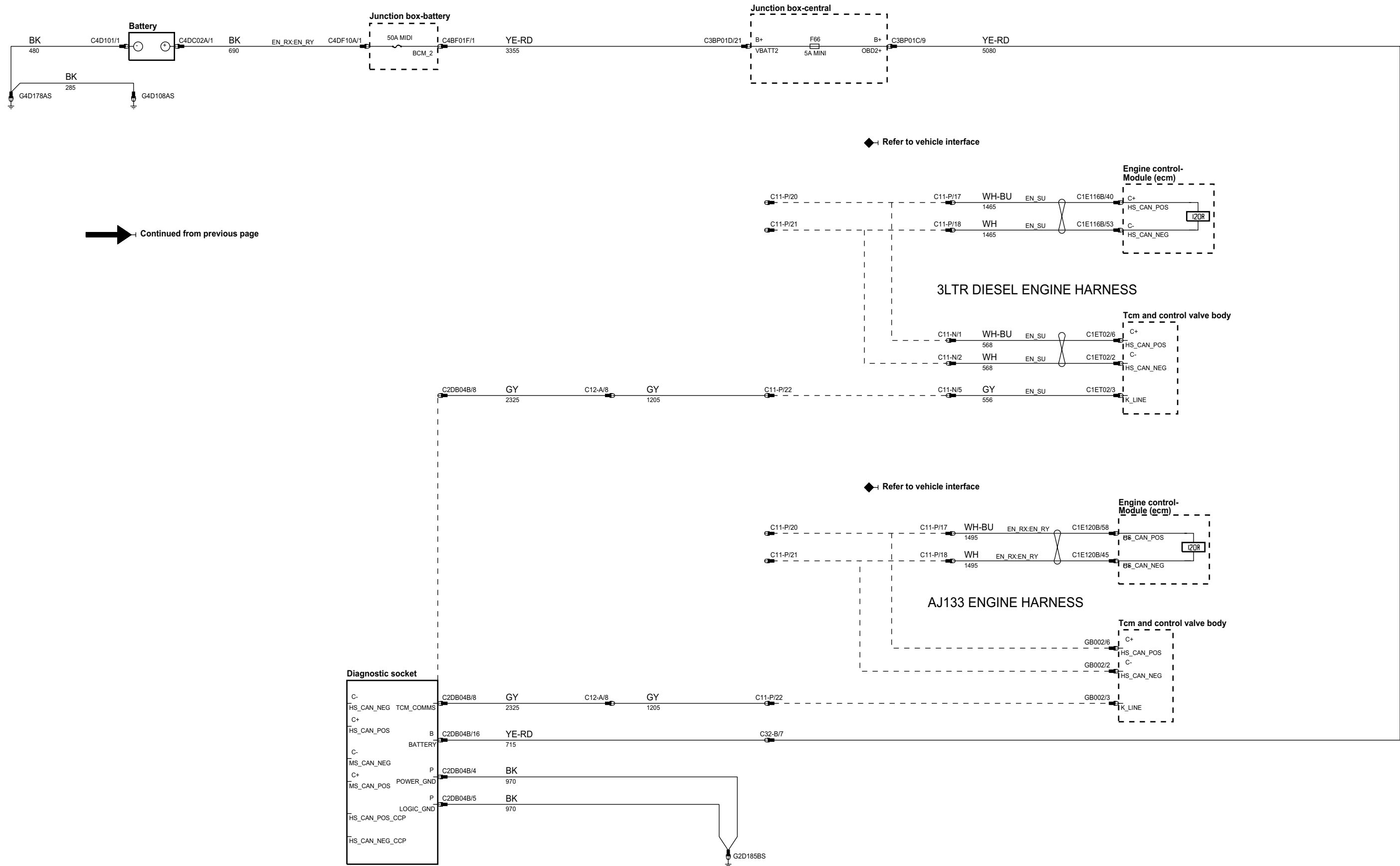


Continued from previous page

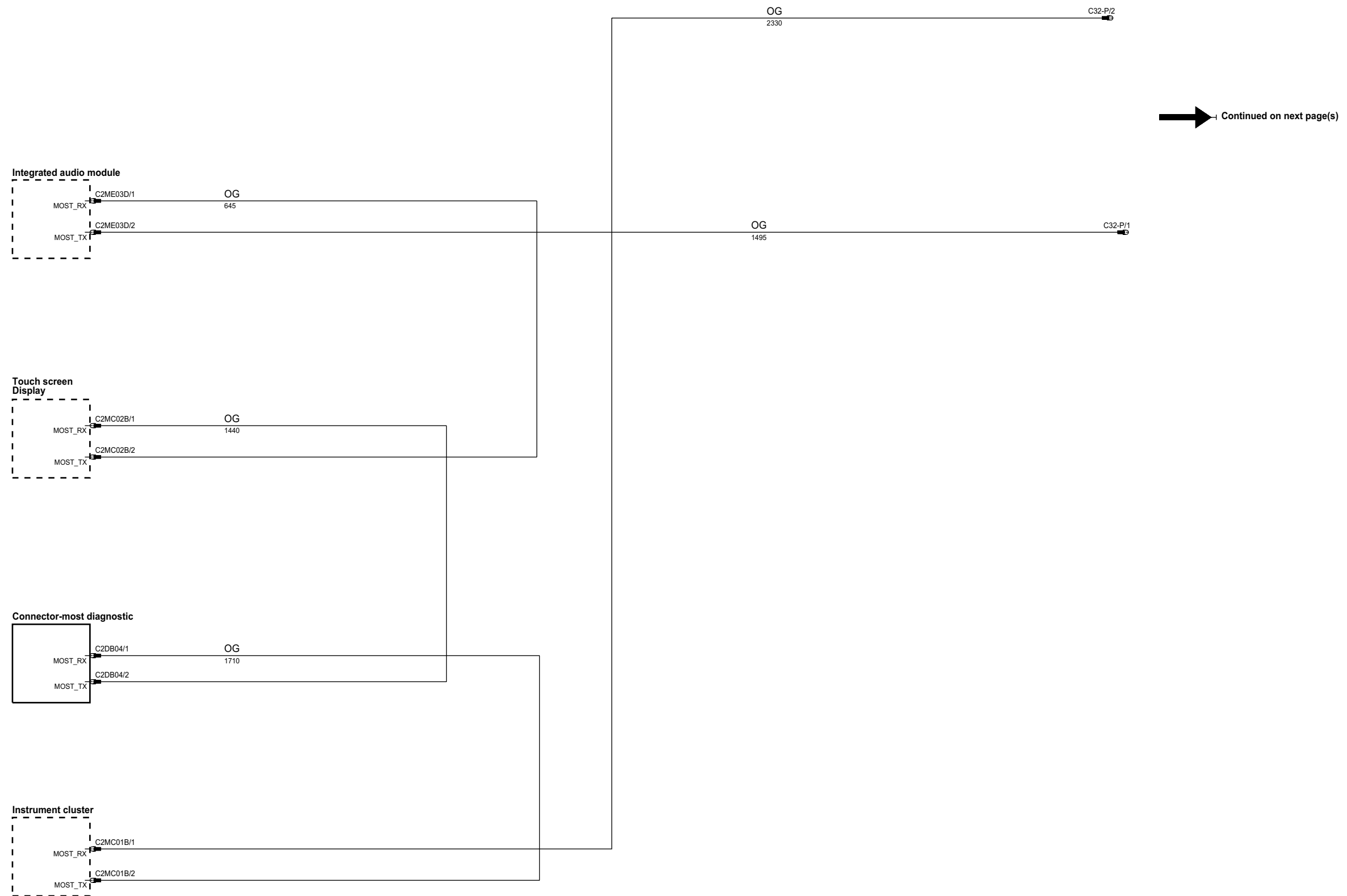
Continued on next page(s)



phaw93-70016-m-a6

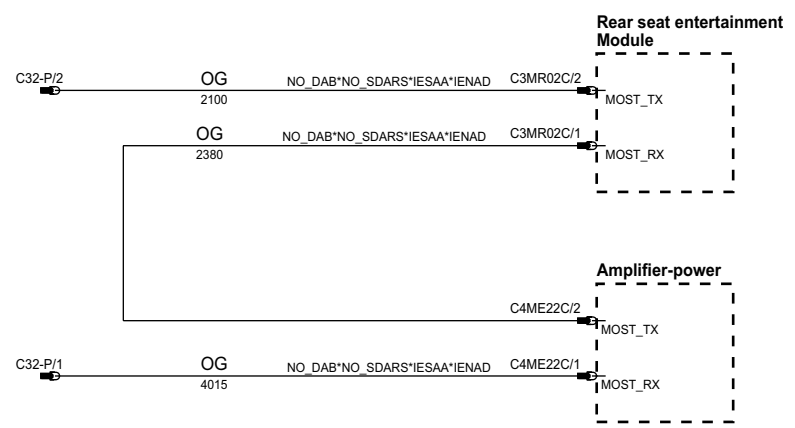
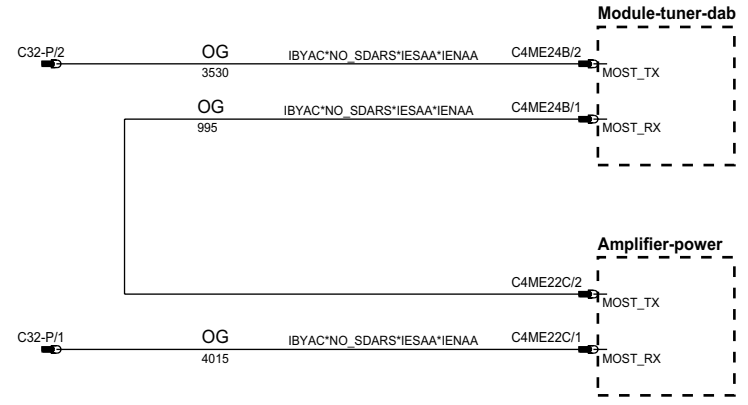
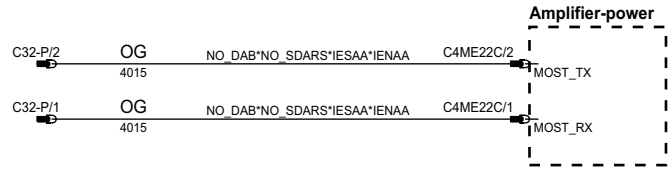
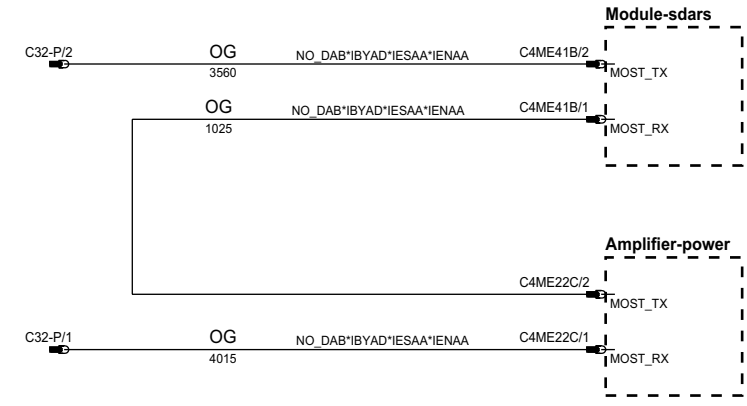
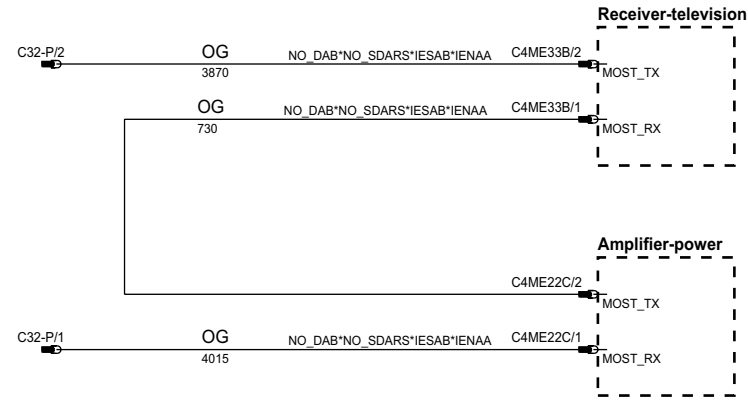


phaw93-70016-p-a6



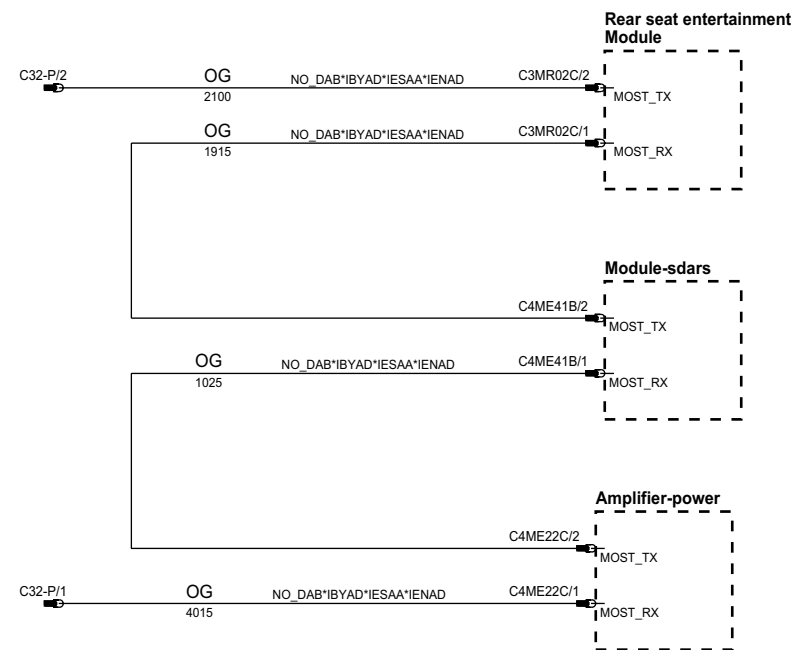
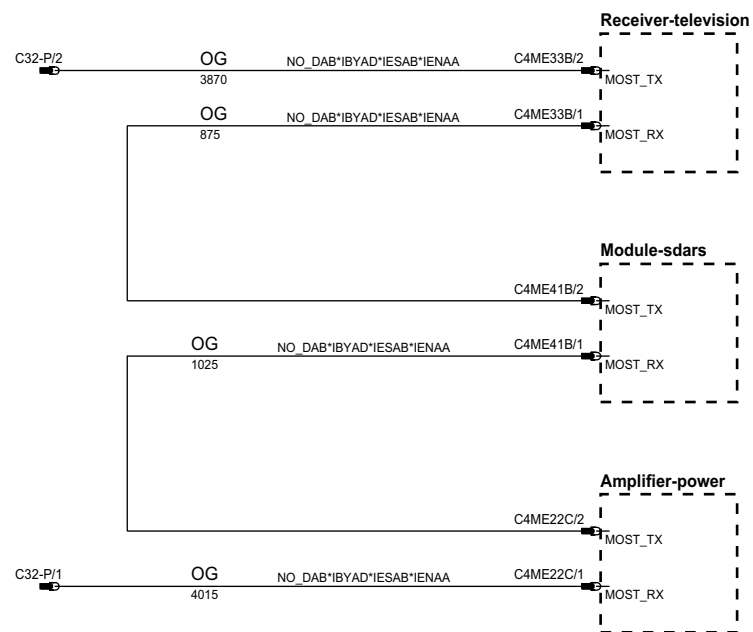
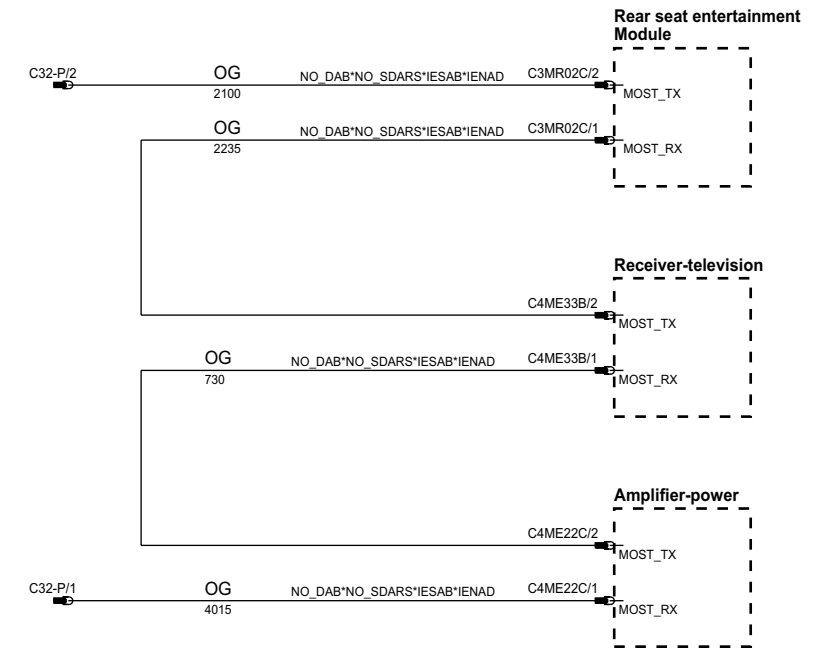
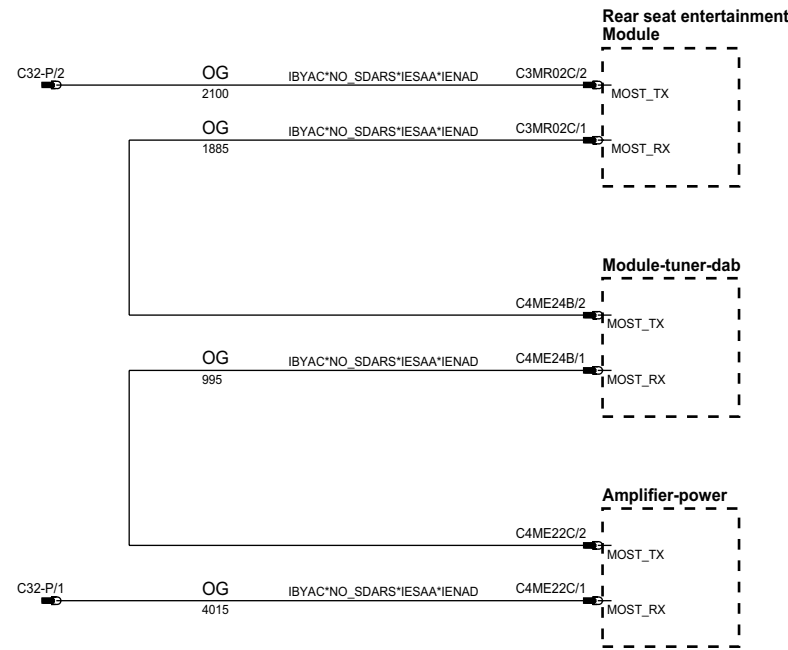
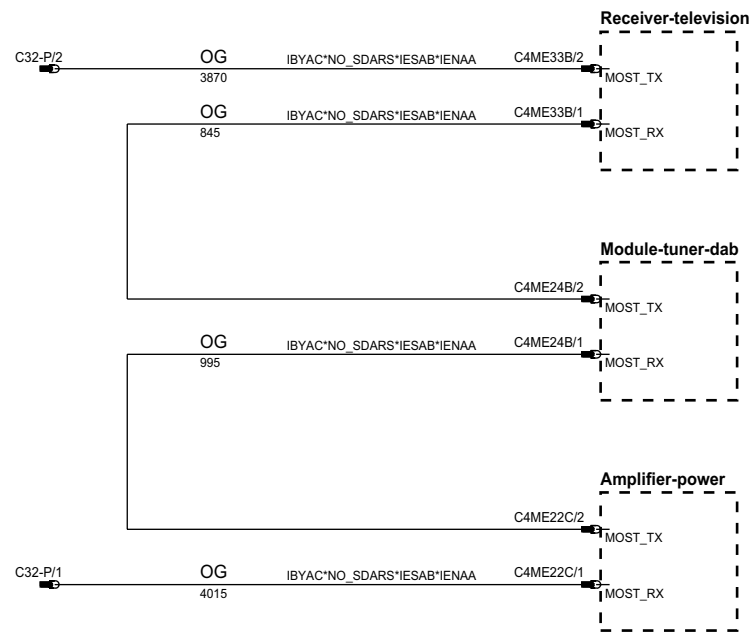
phaw93-70016-r-a6

Continued from part 1



phaw93-70016-s-a6

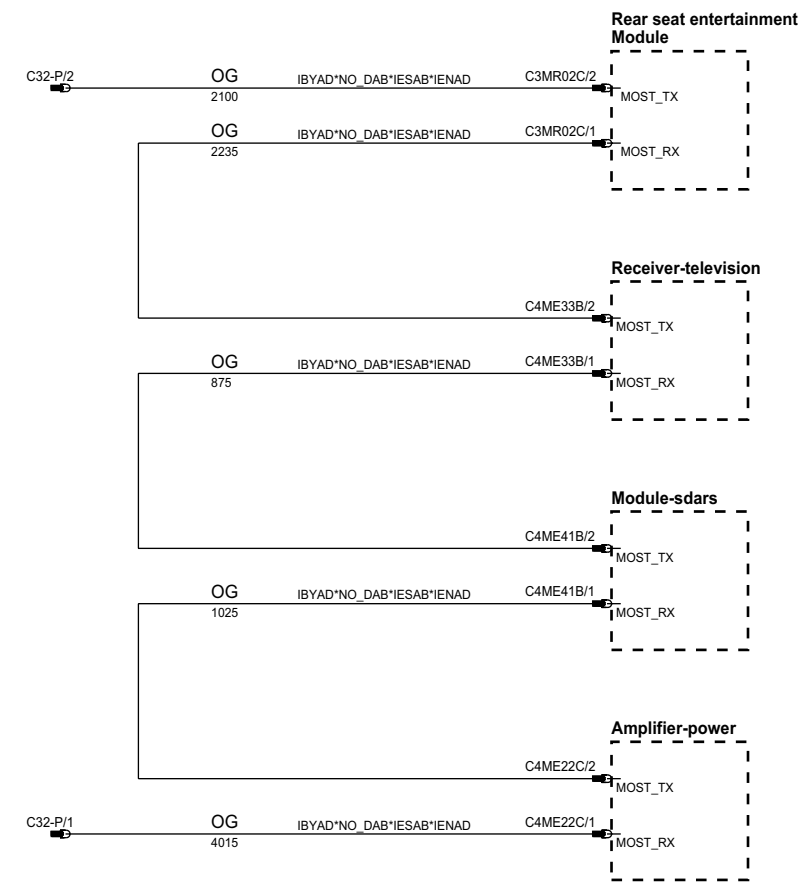
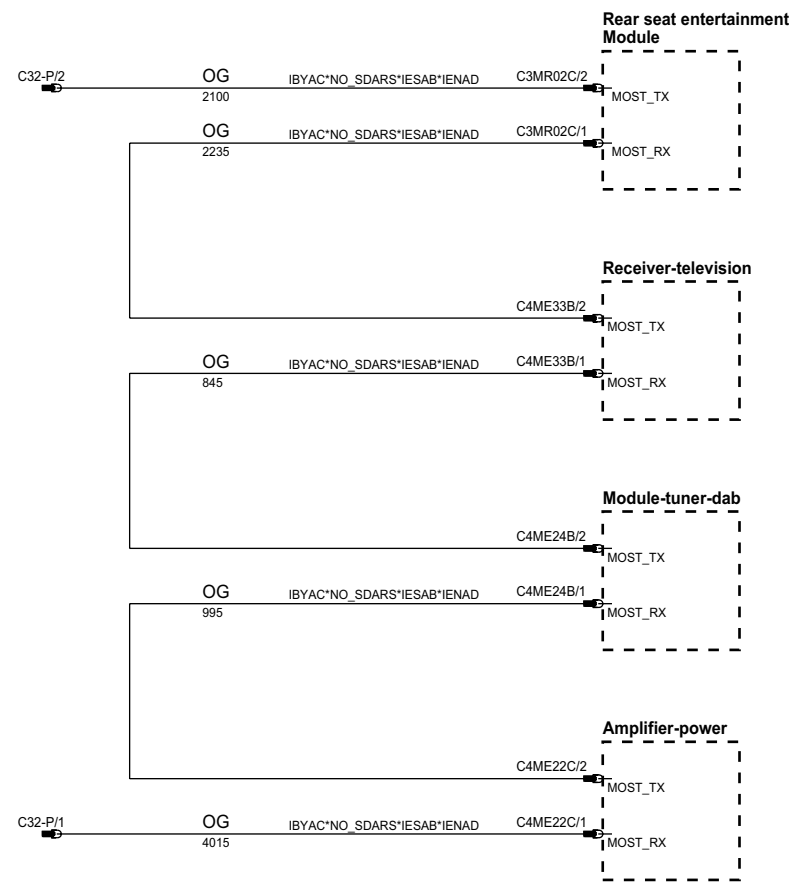
Continued from part 1



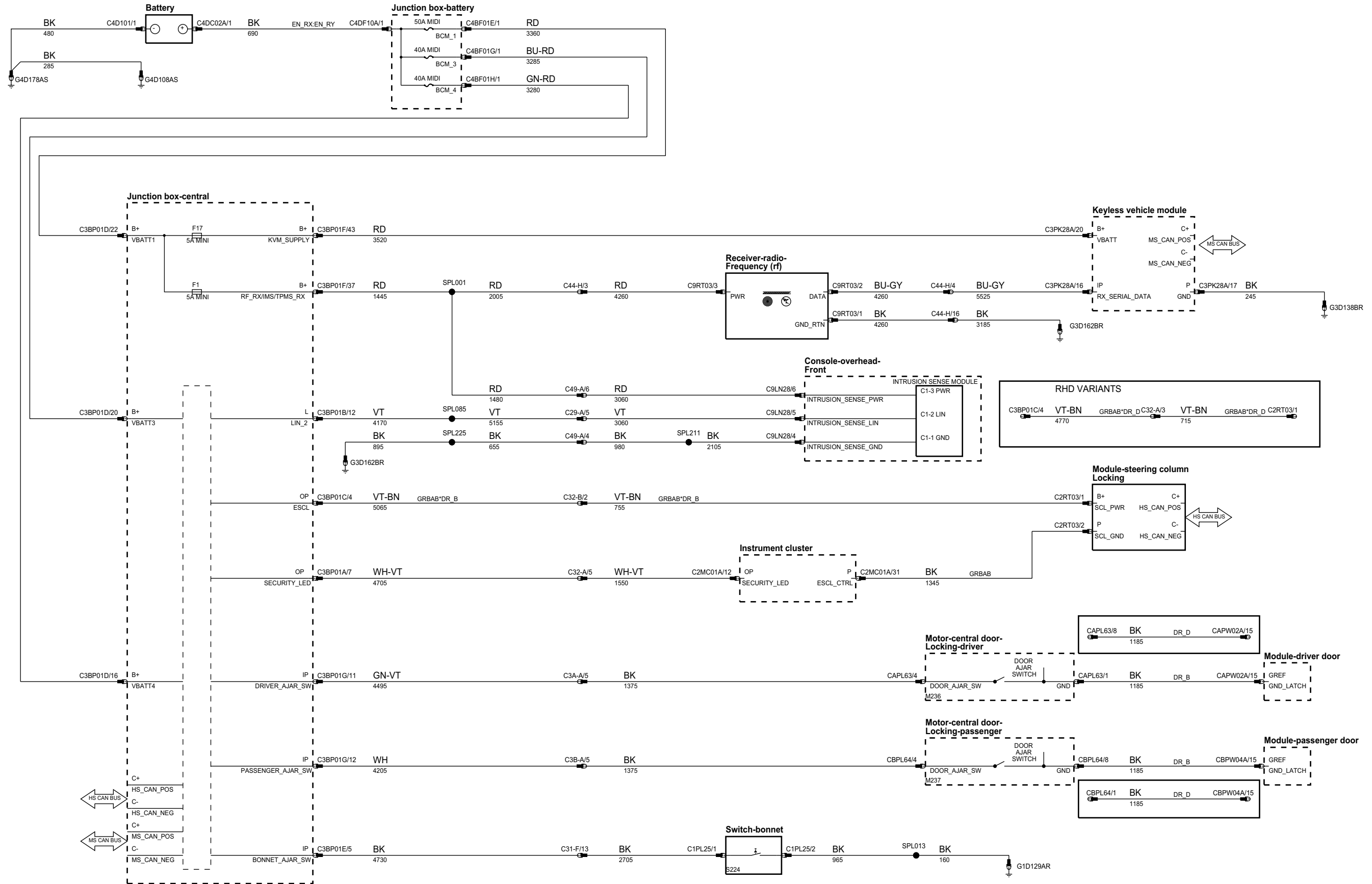
x

phaw93-70016-t-a6

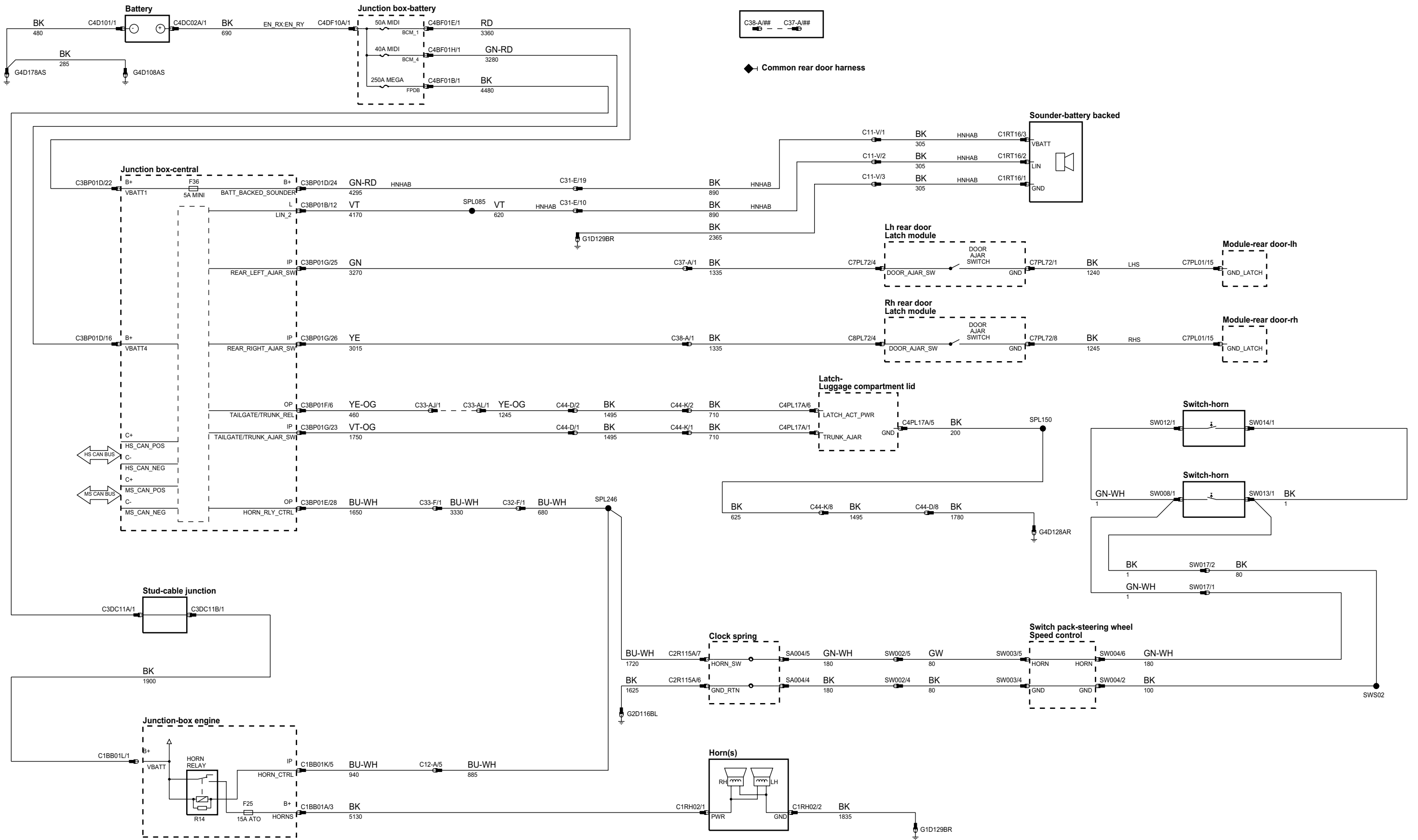
➔ Continued from part 1



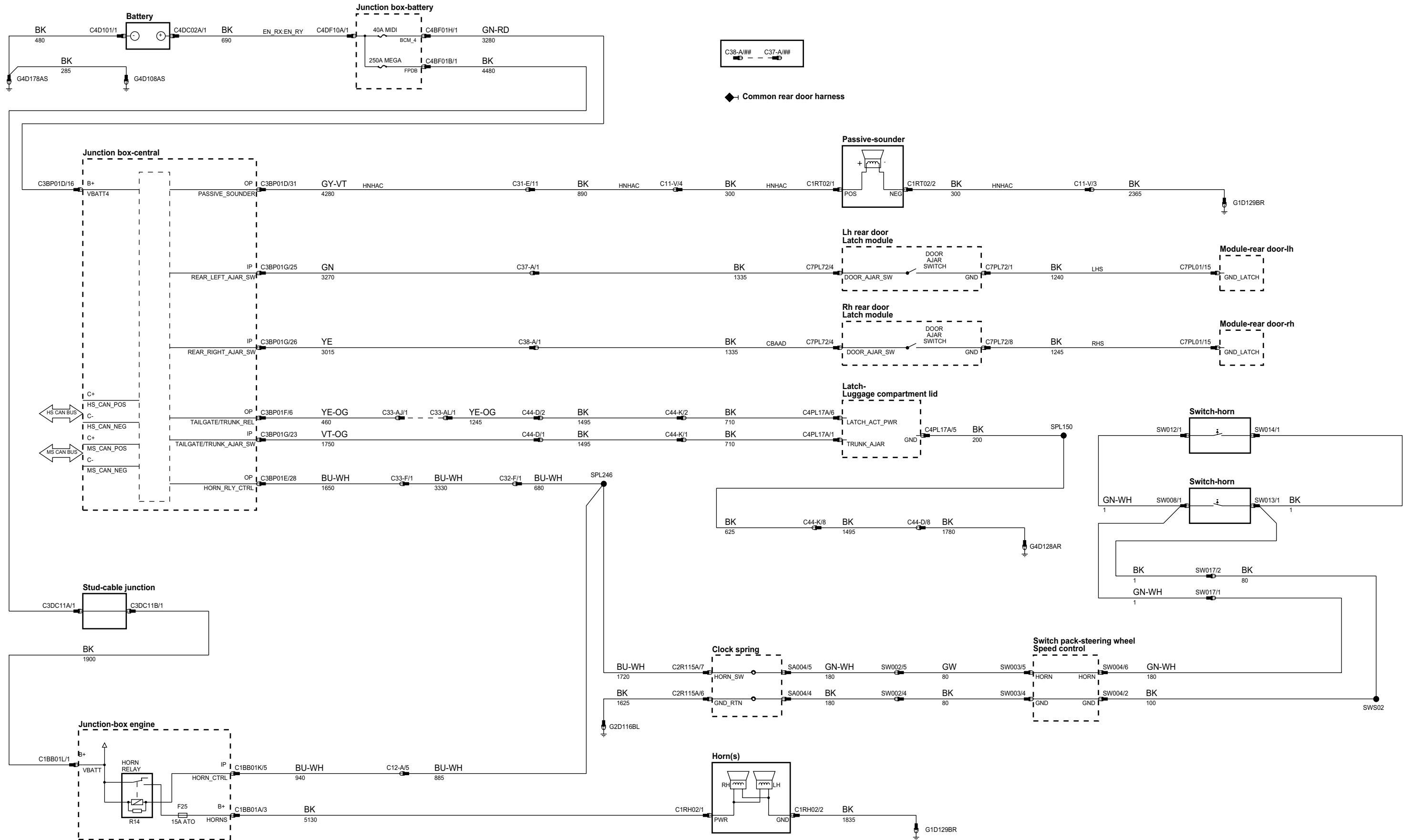
phaw93-70395-a-a6



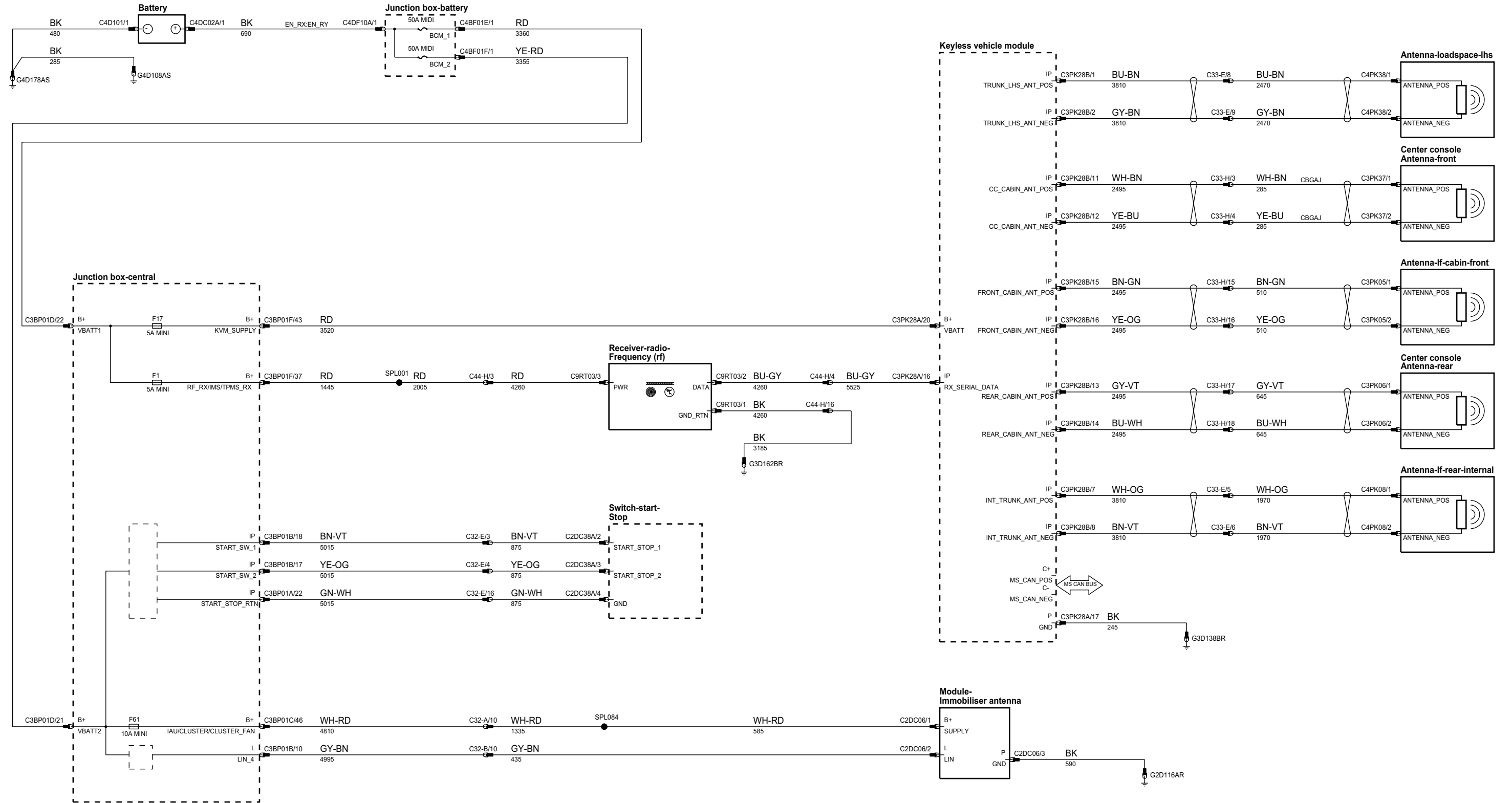
phaw93-70395-b-a6



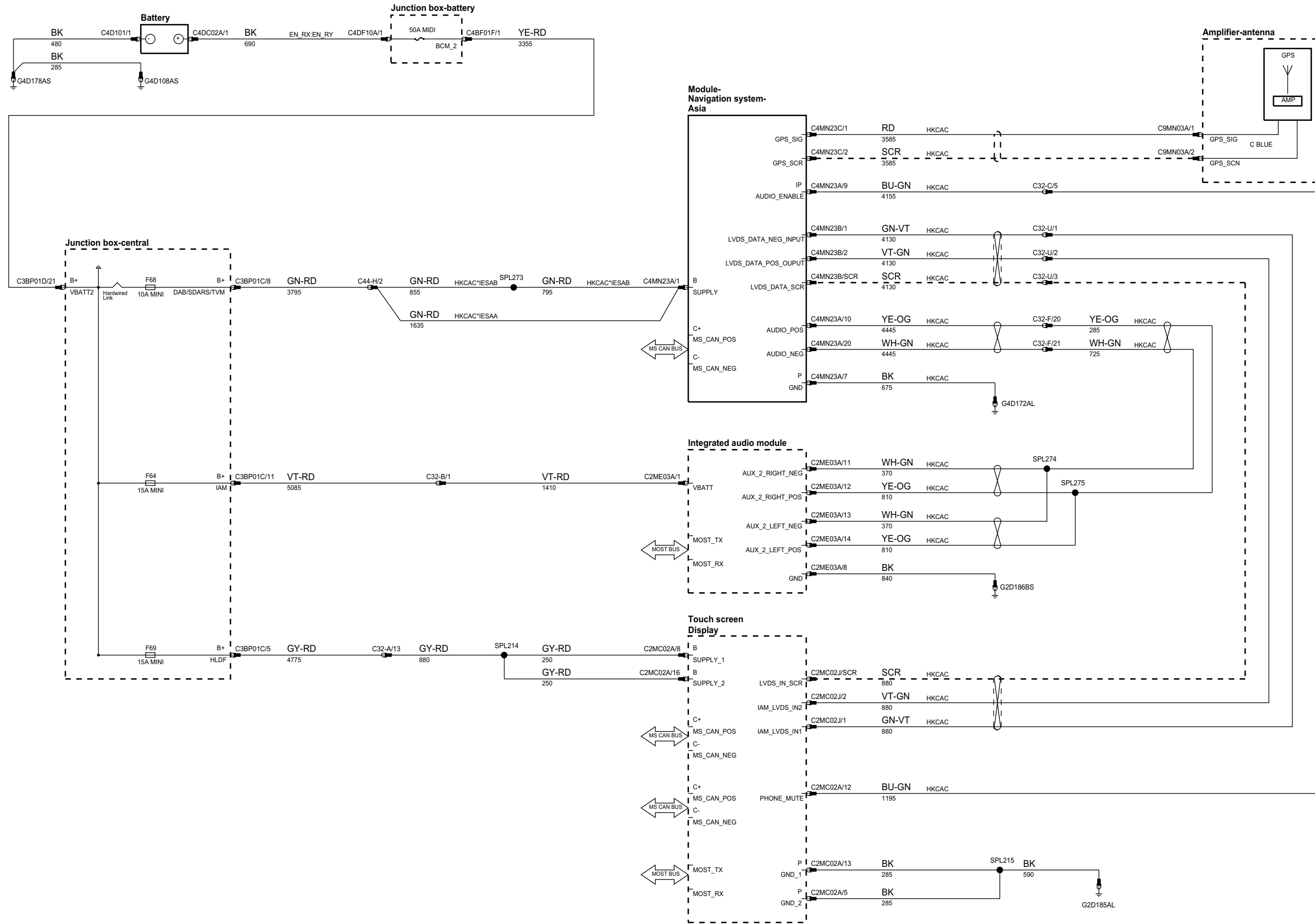
phaw93-70395-c-a6



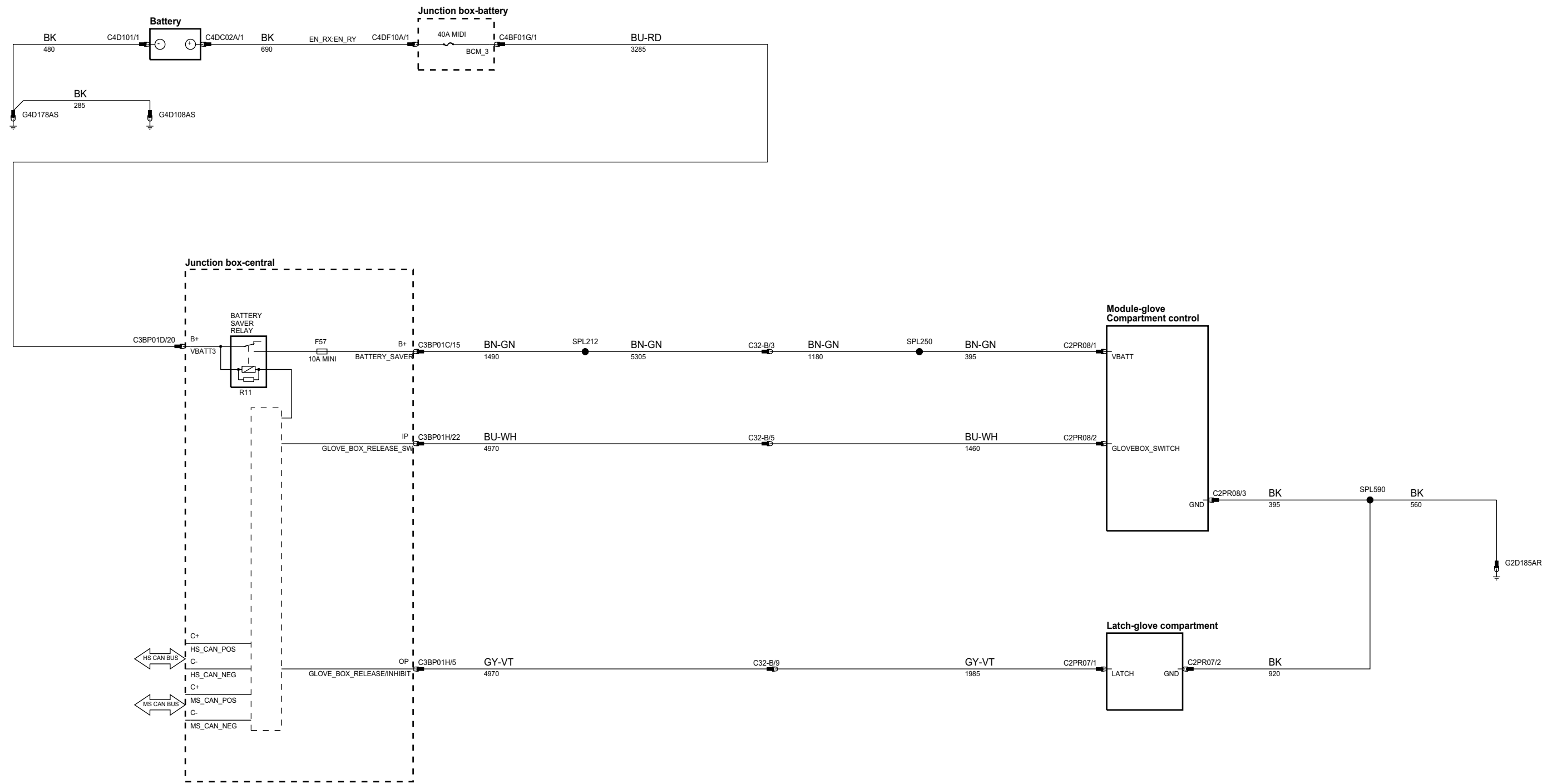
phaw93-70410-a-a6



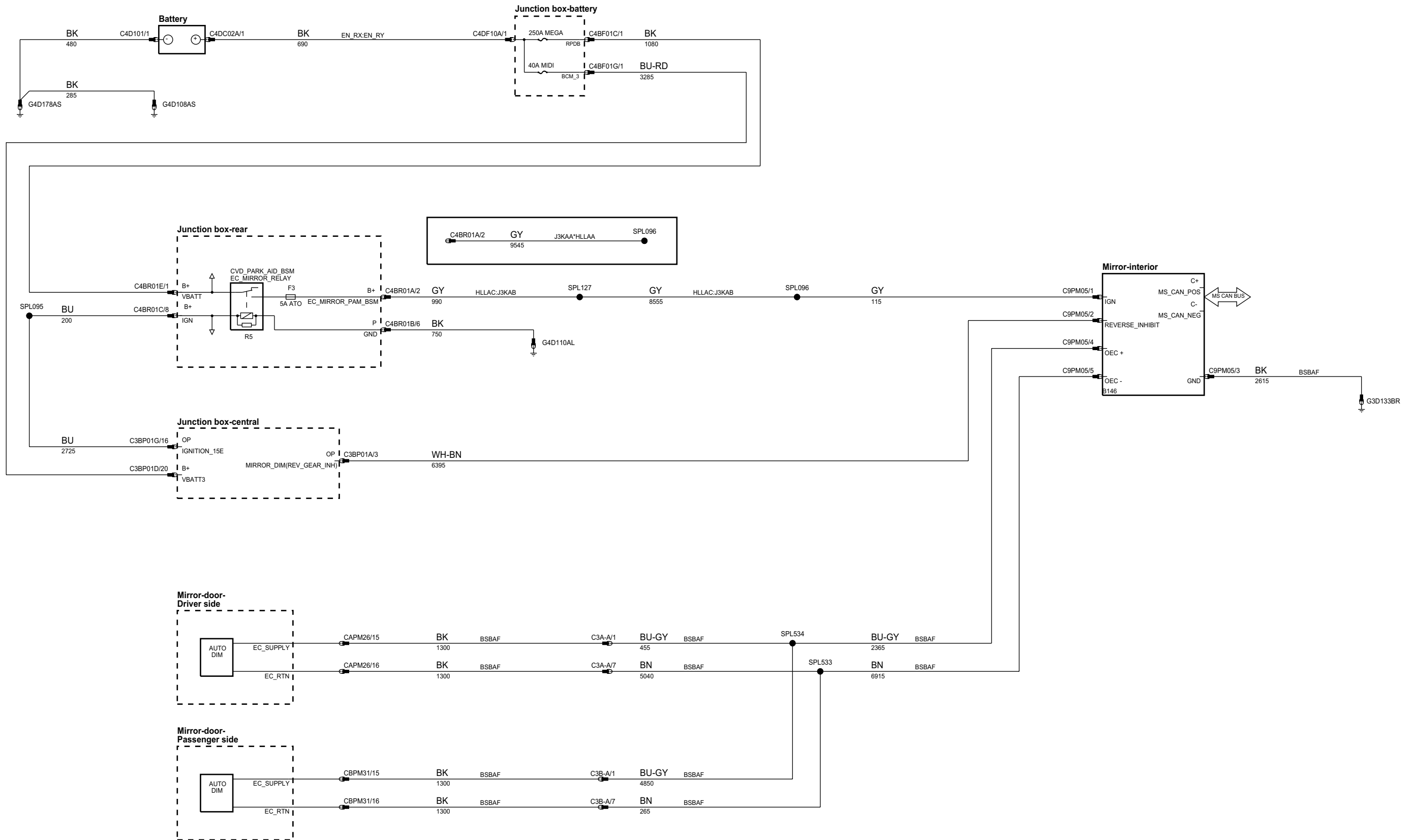
phaw93-70477-a-a6



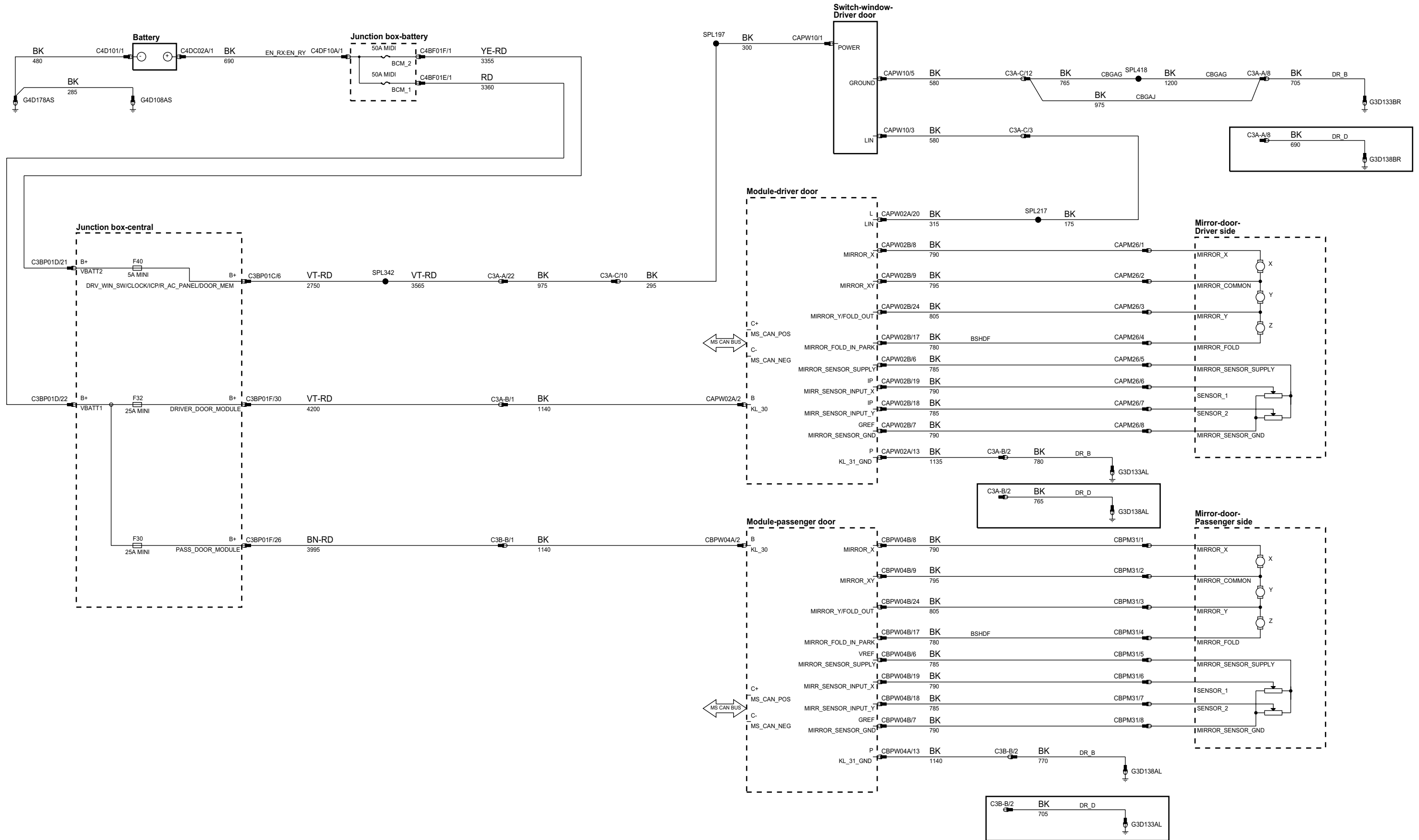
phaw93-70101-d-a6



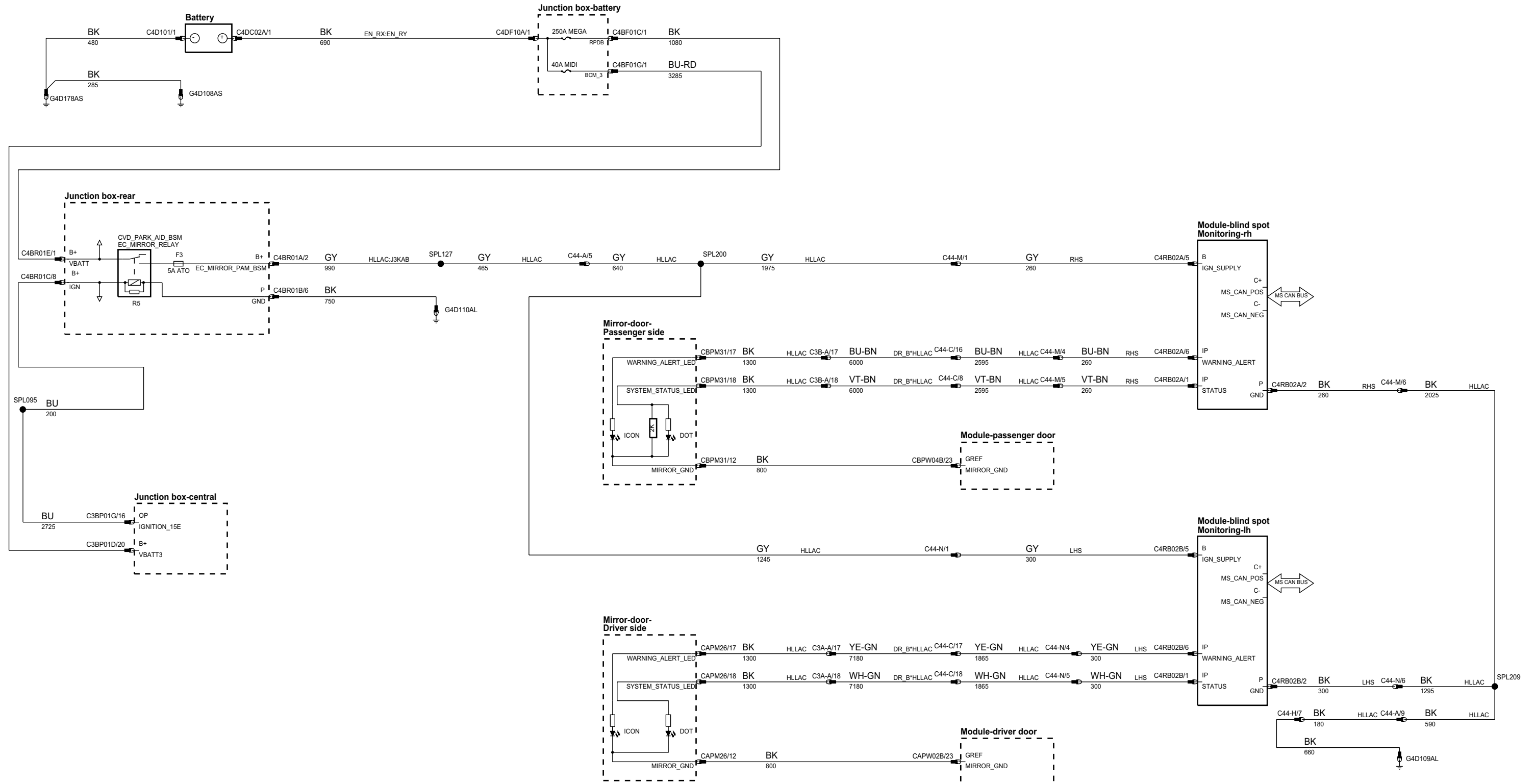
phaw93-70331-a-a6



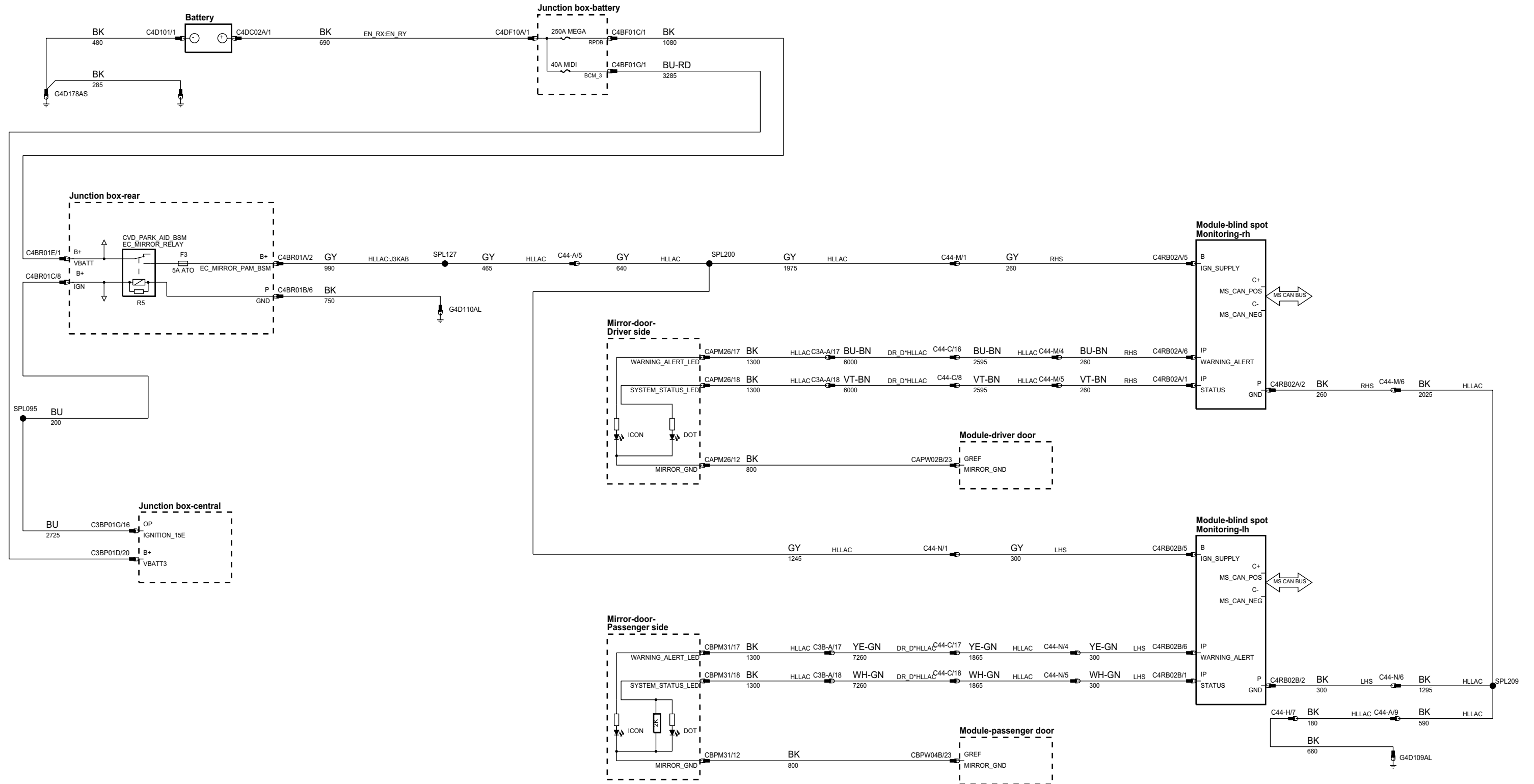
phaw93-70333-a-a6



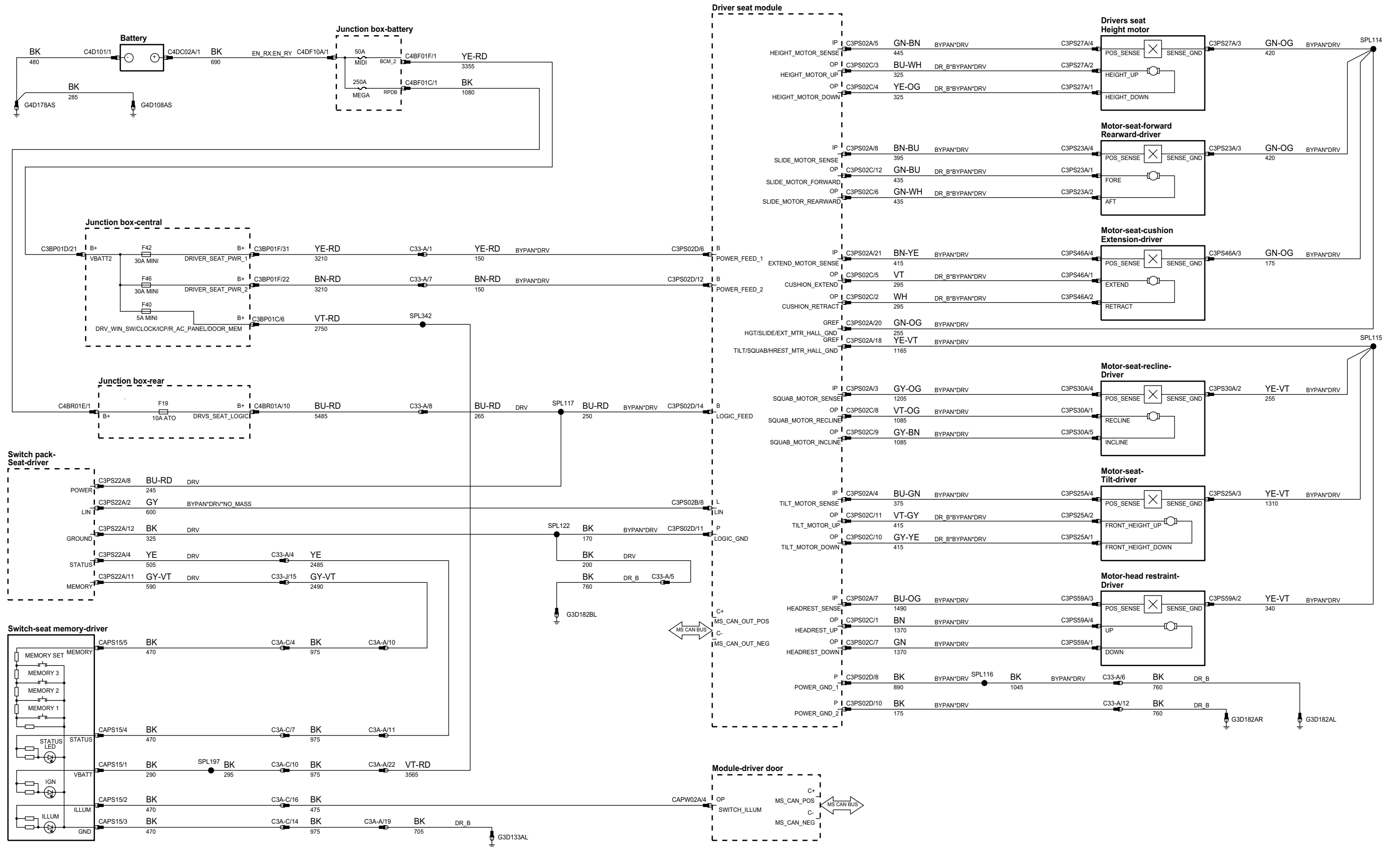
phaw93-70483-a-a6



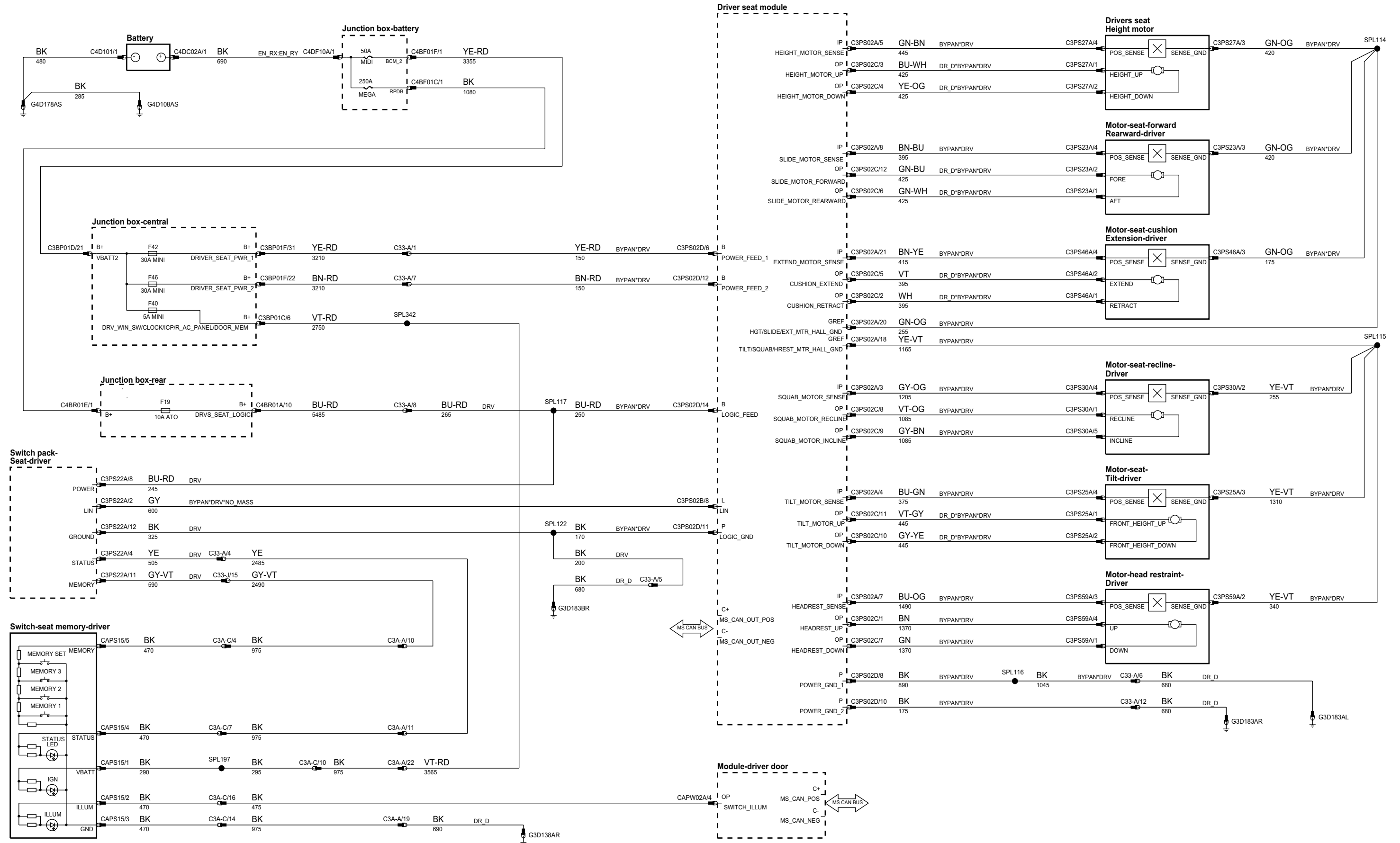
phaw93-70483-b-a6



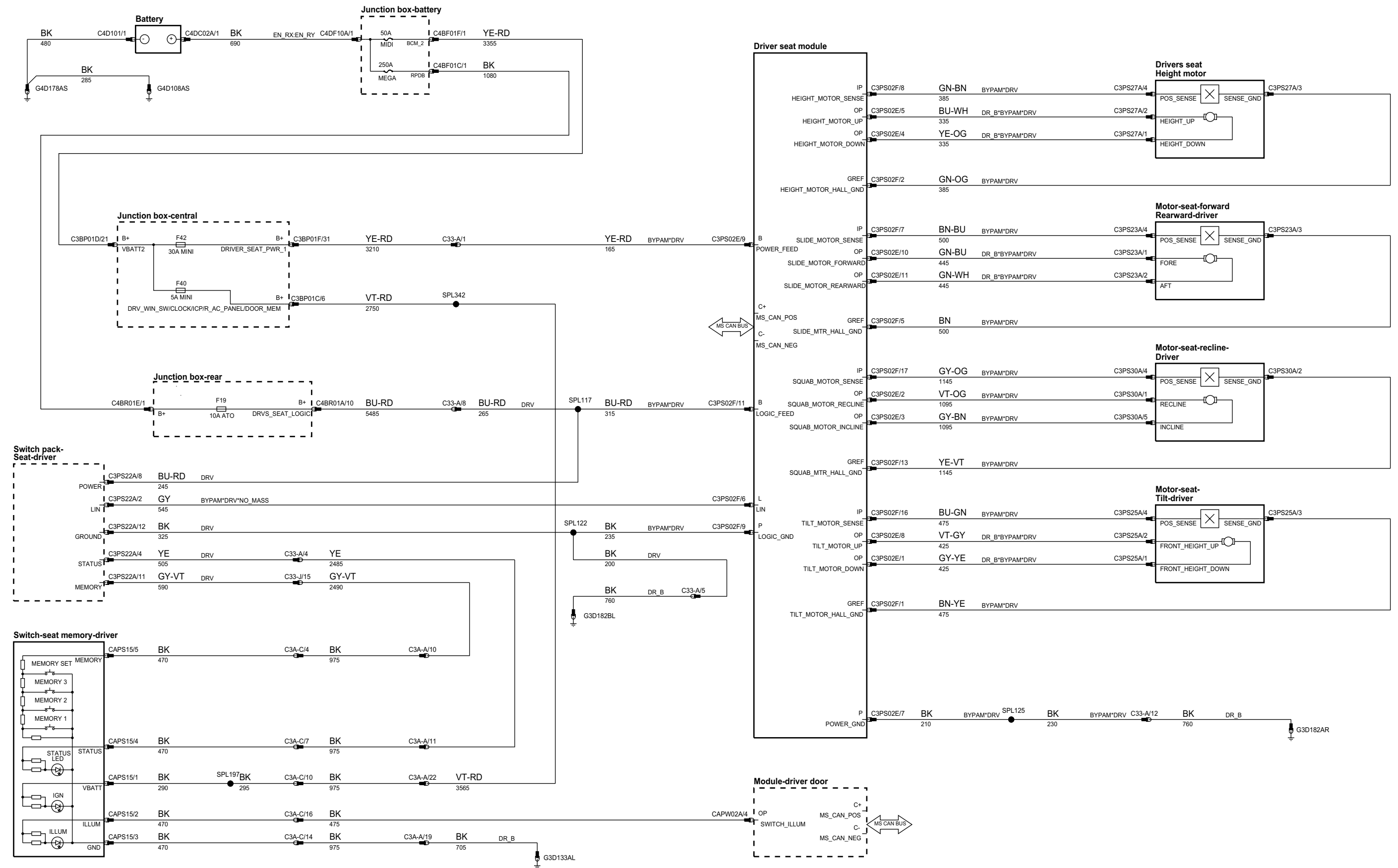
phaw93-70346-c-a6



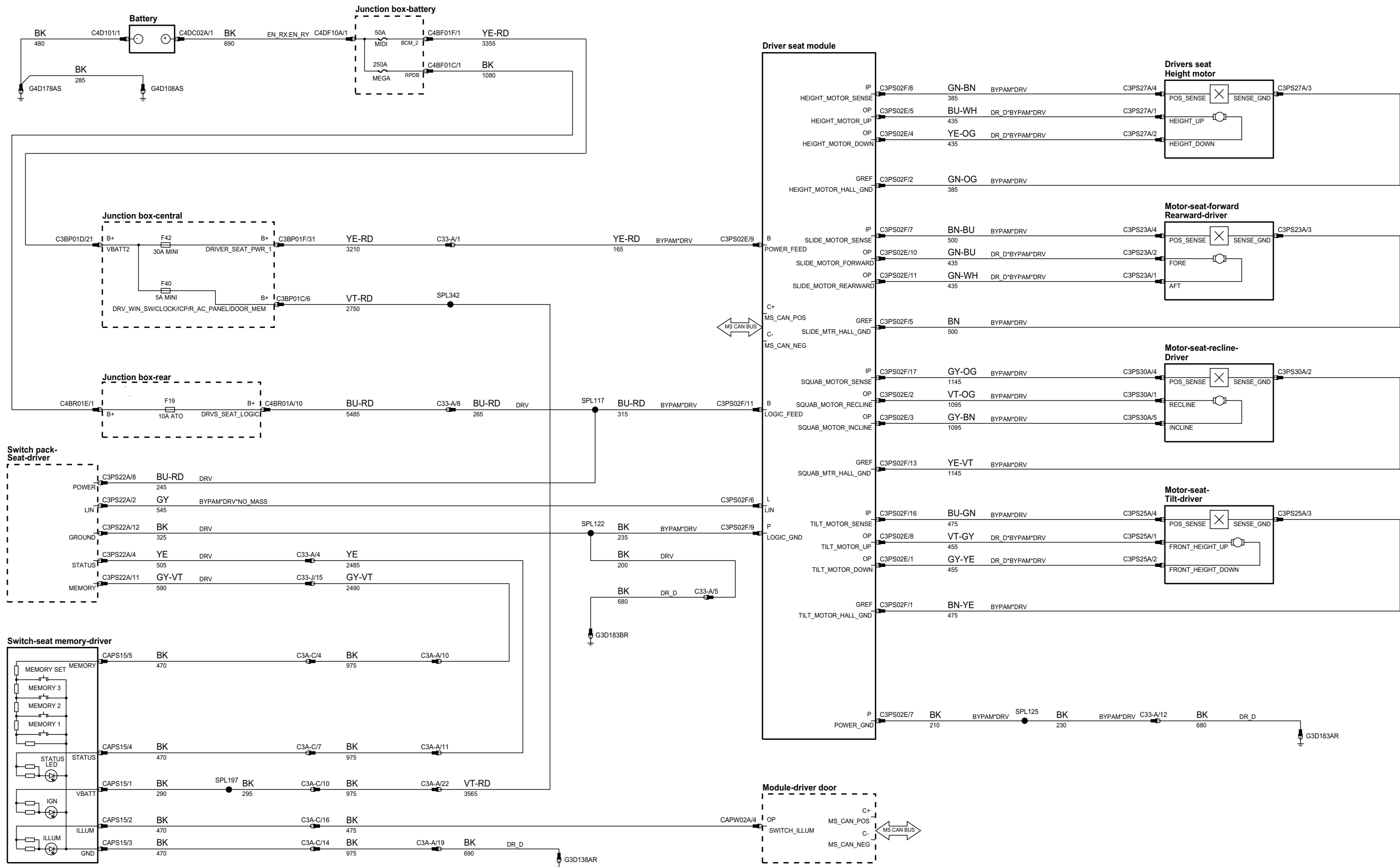
phaw93-70346-d-a6



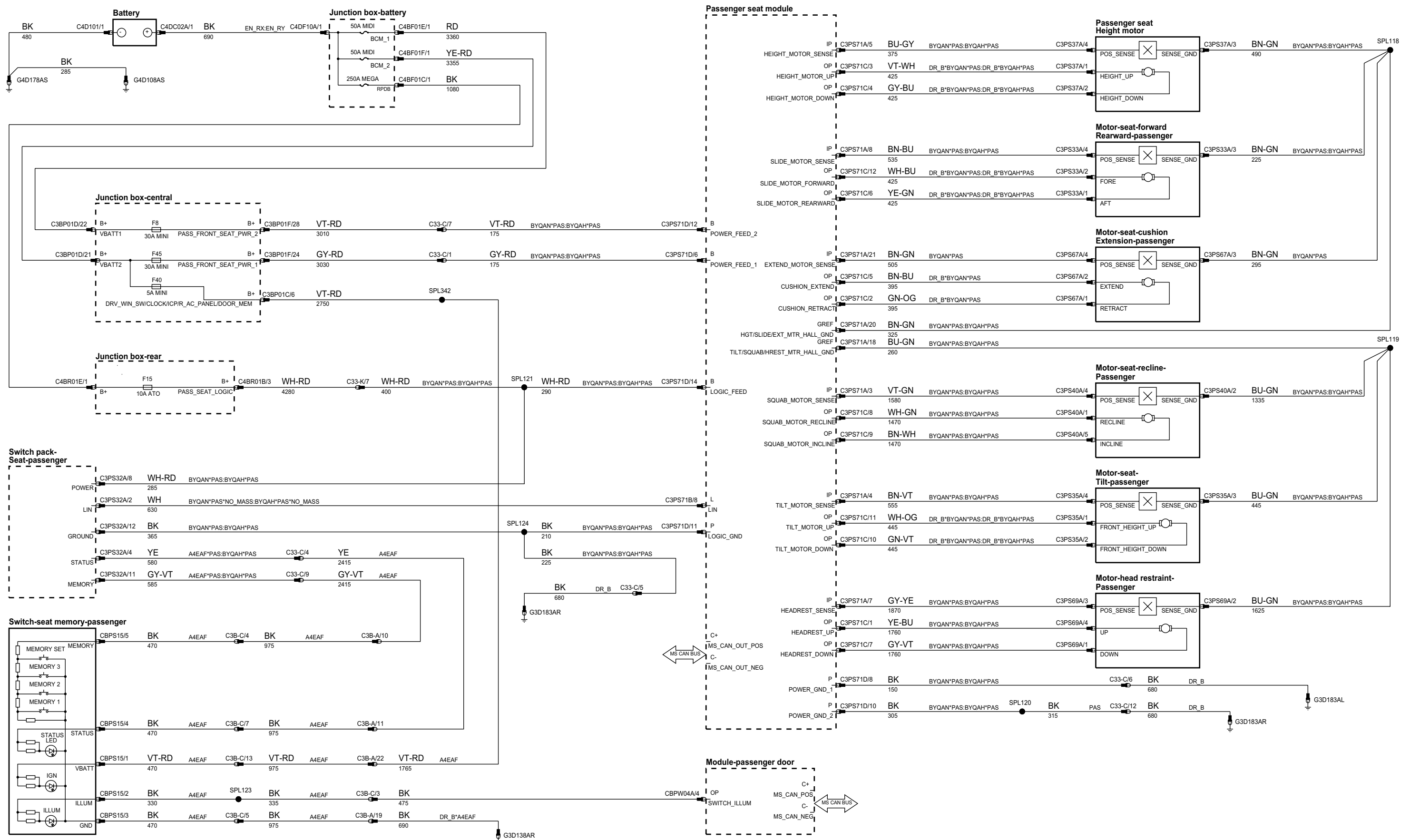
phaw93-70346-e-a6



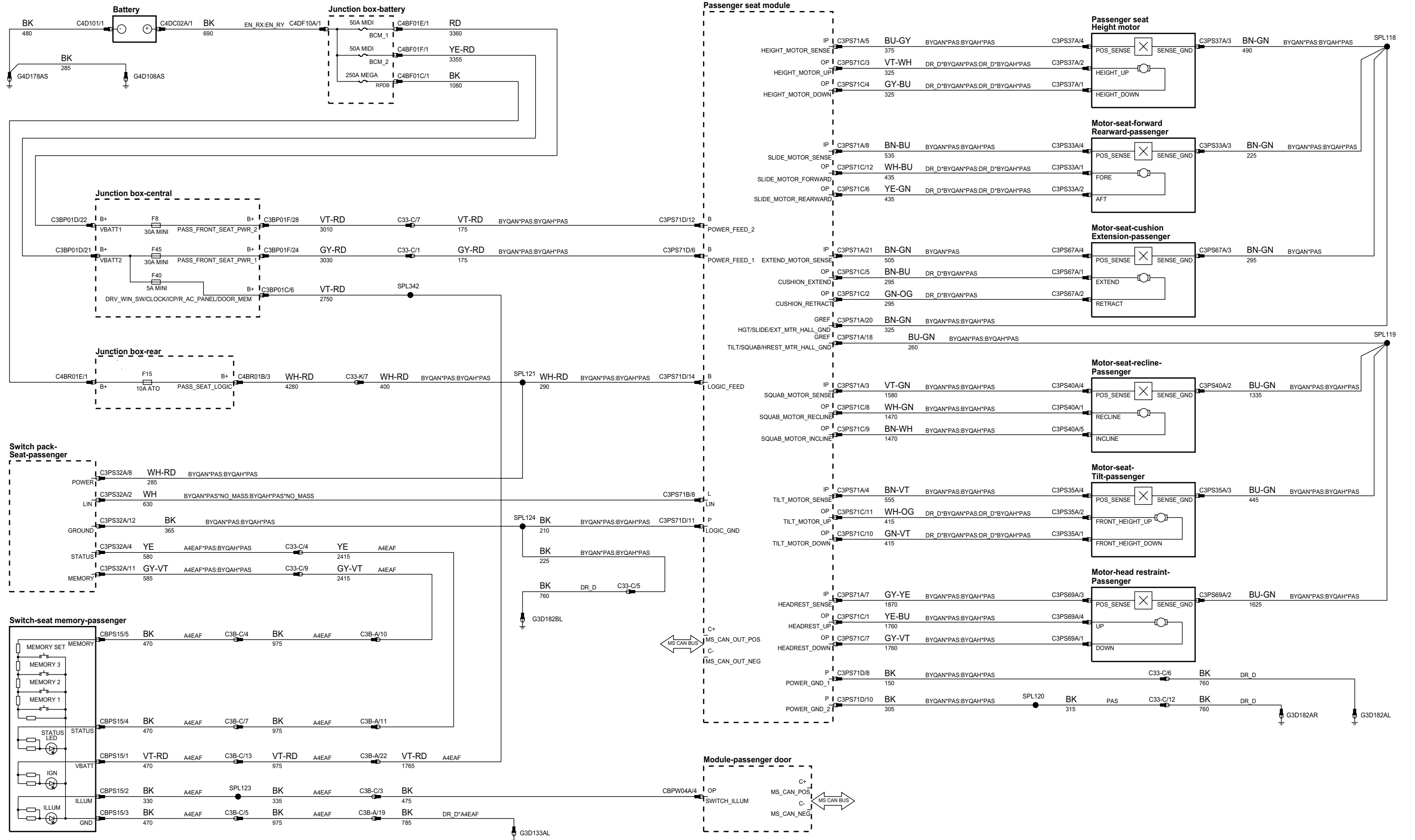
phaw93-70346-f-a6



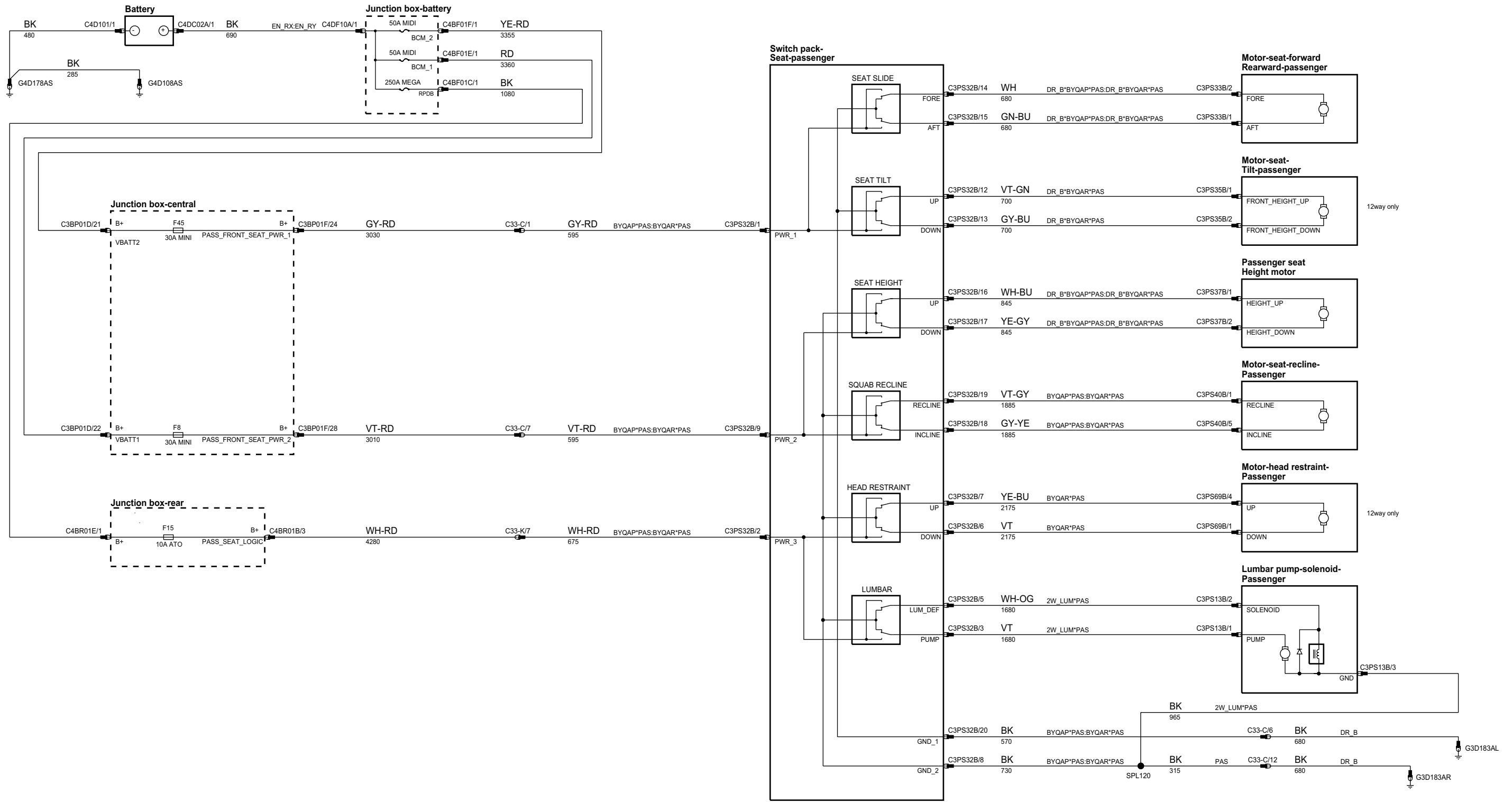
phaw93-70346-a-a6



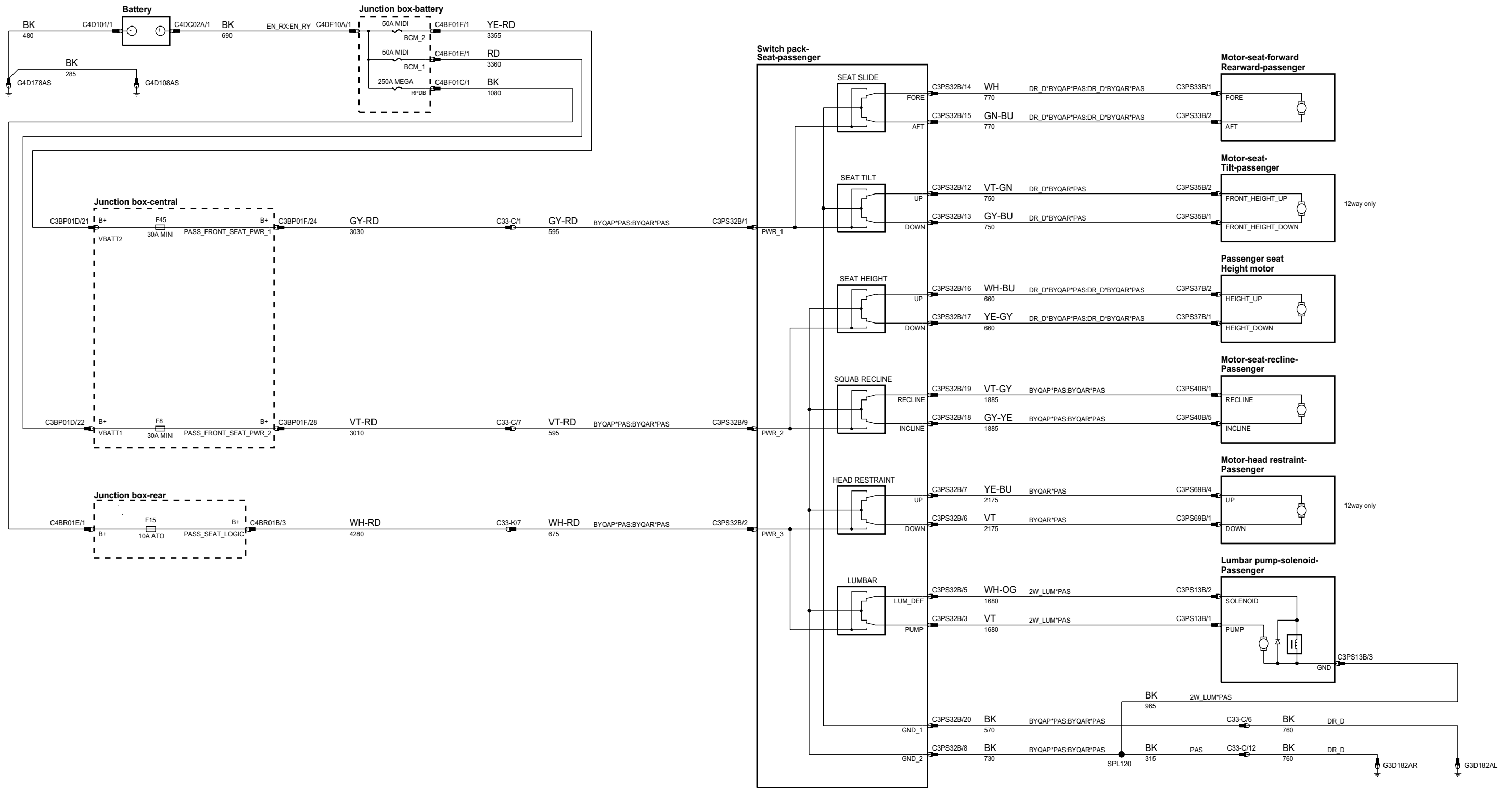
phaw93-70346-b-a6



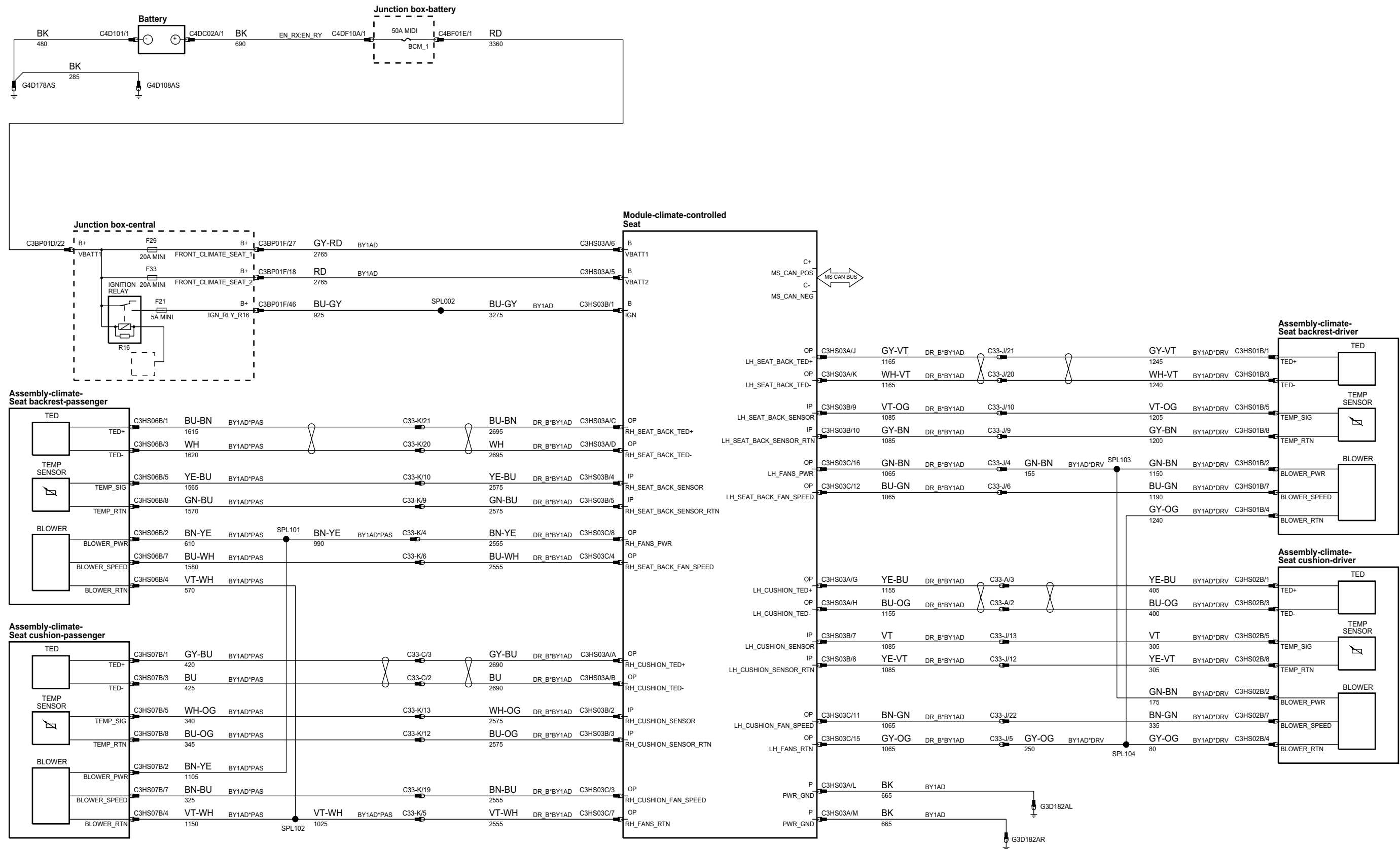
phaw93-70343-a-a6



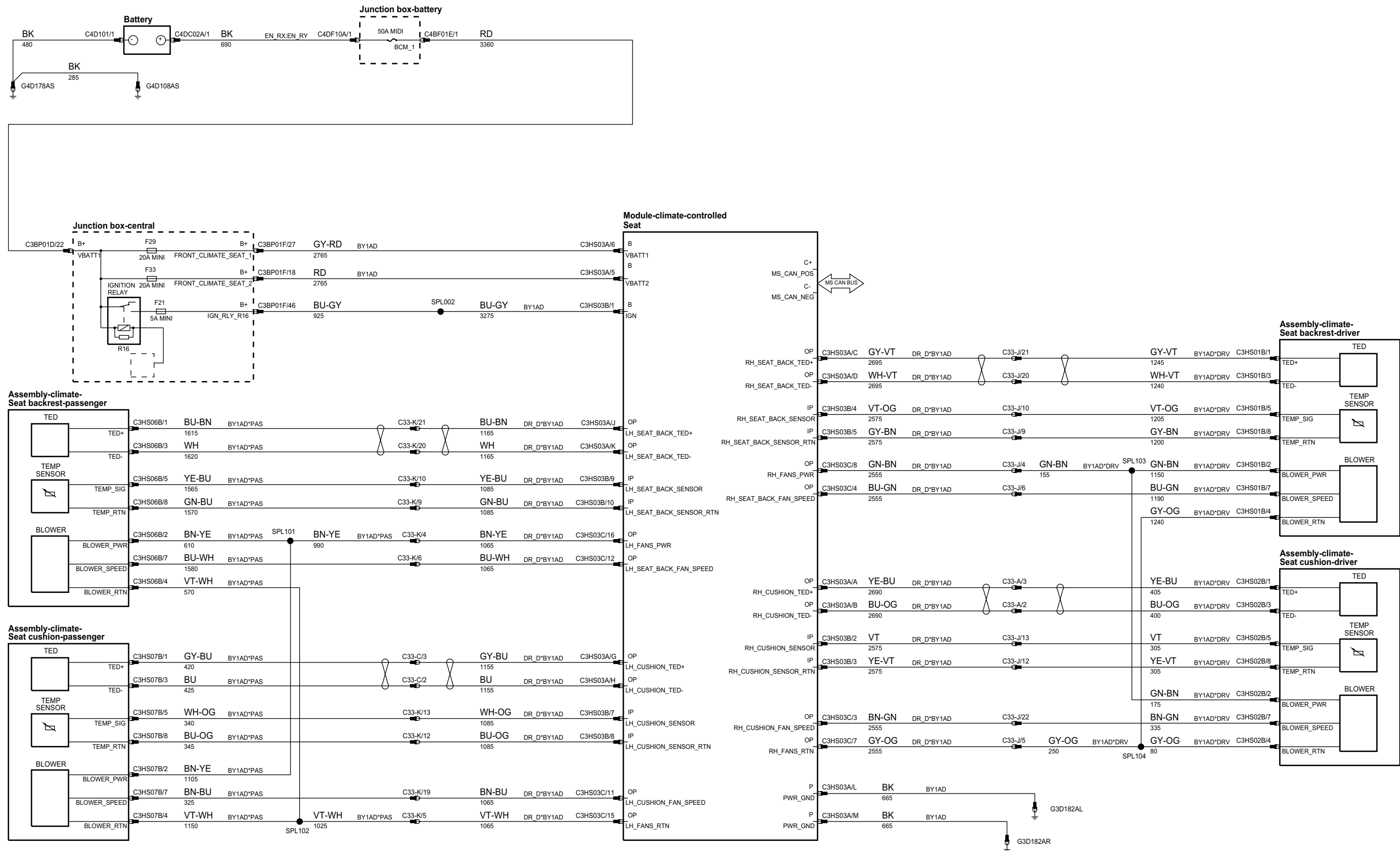
phaw93-70343-b-a6



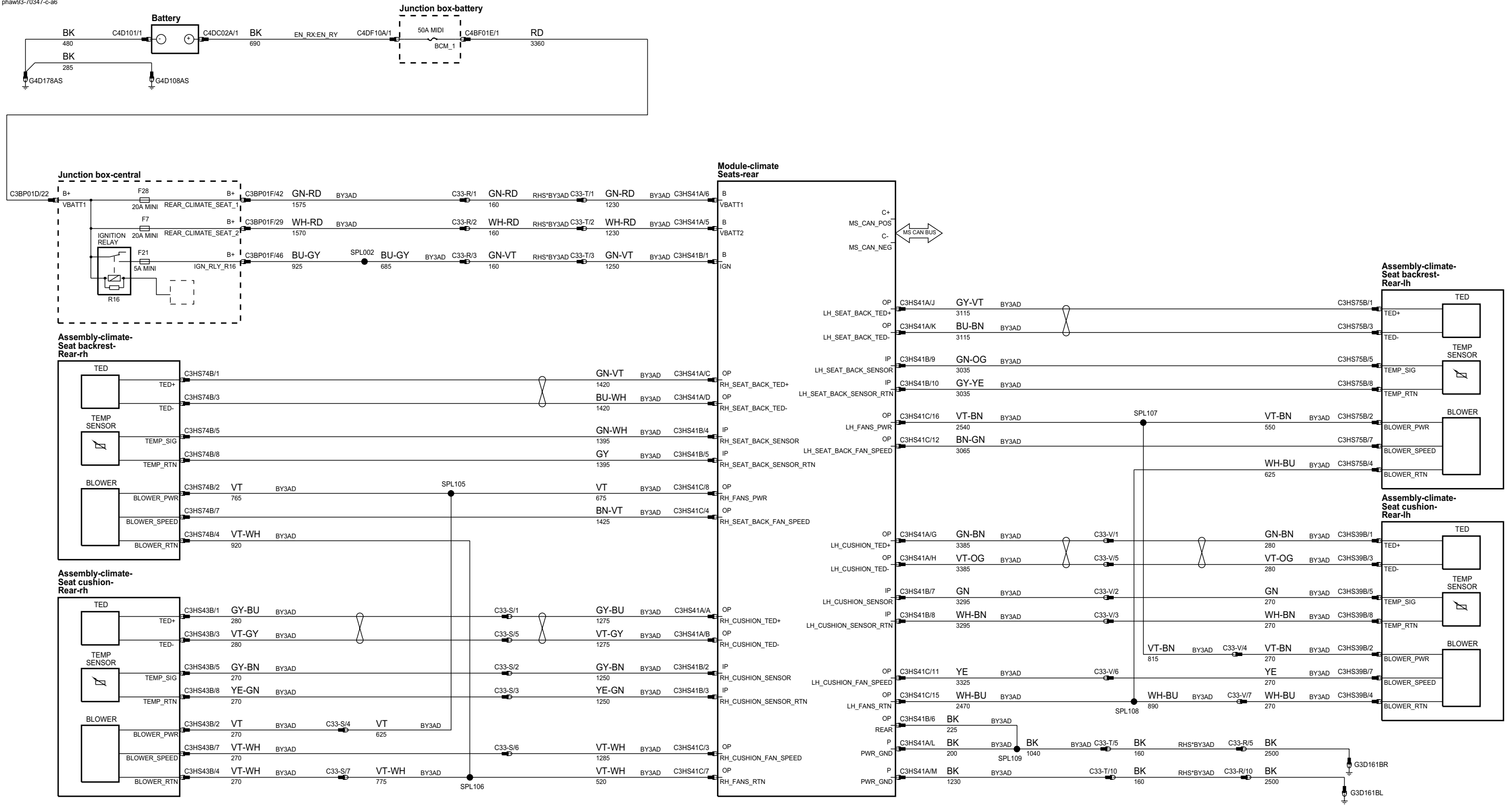
phaw93-70347-a-a6



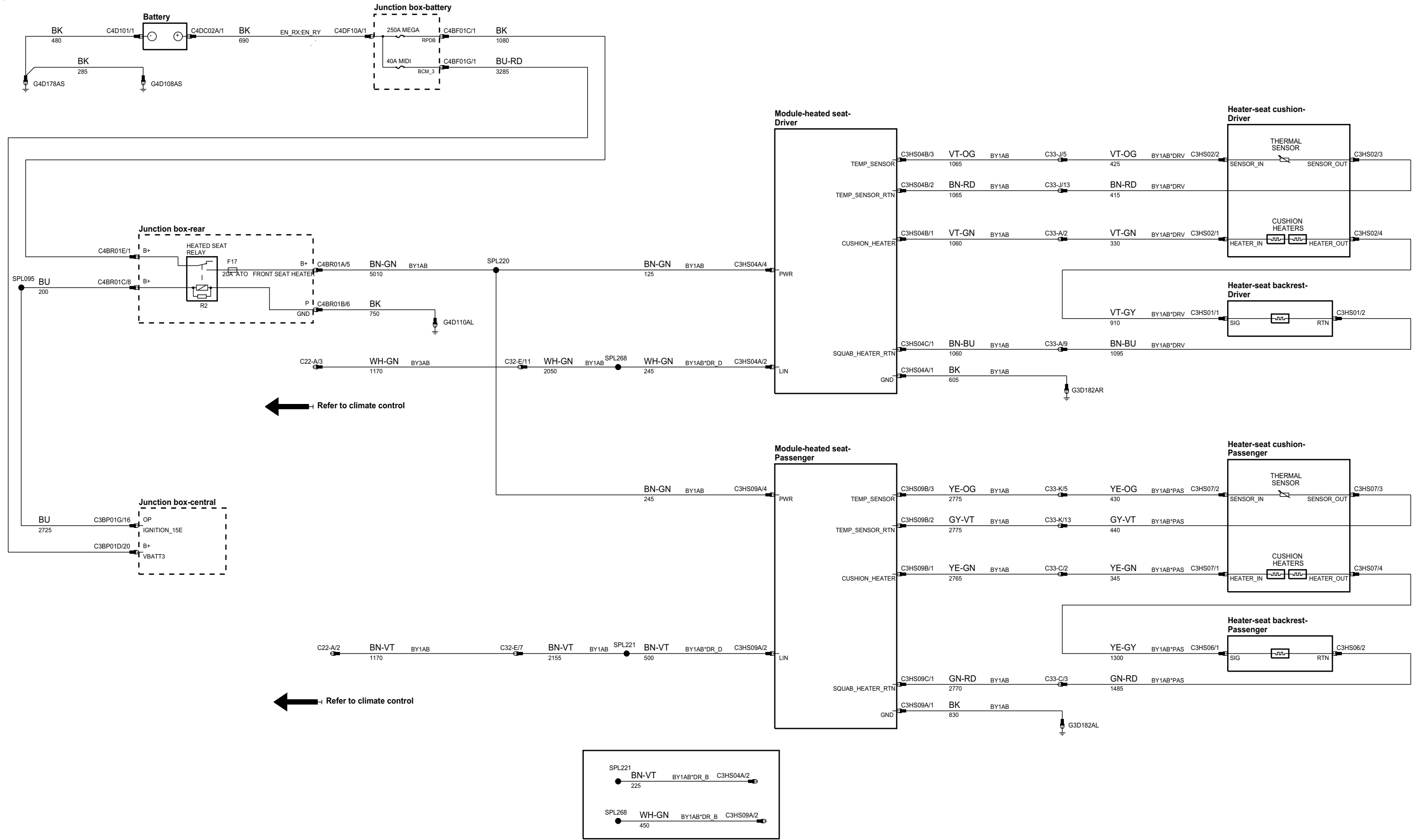
phaw93-70347-b-a6



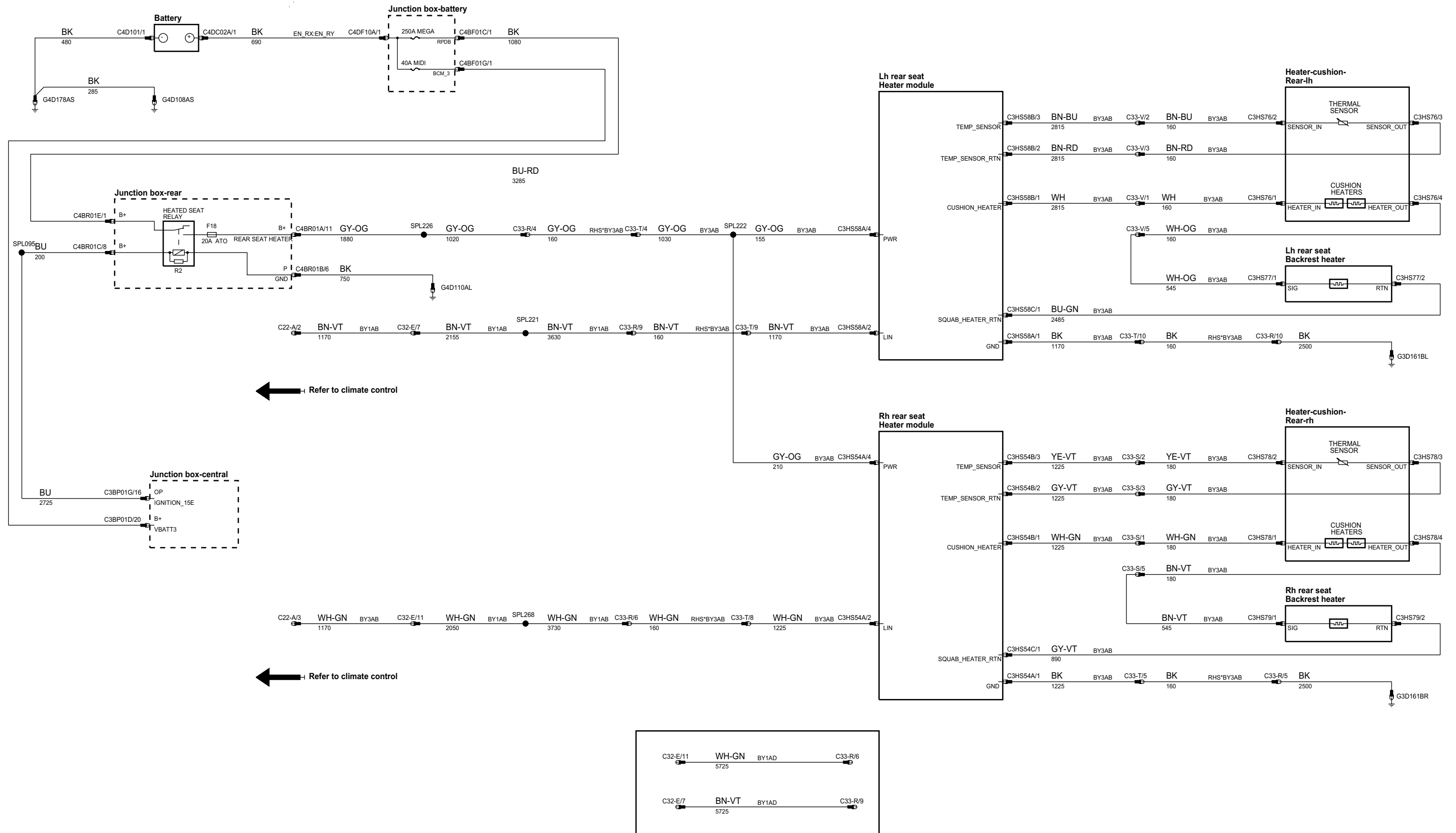
phaw93-70347-c-a6



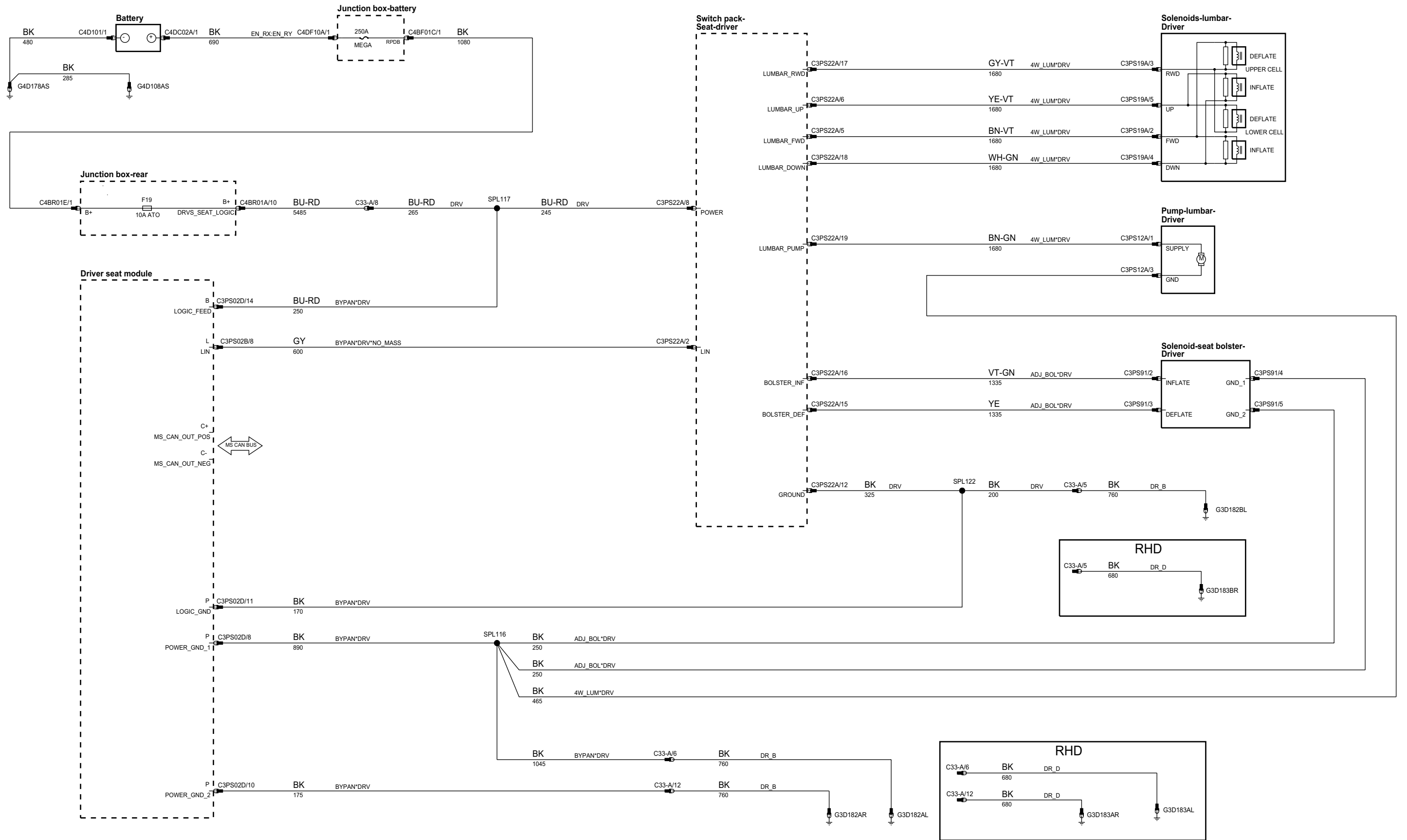
phaw93-70347-d-a6



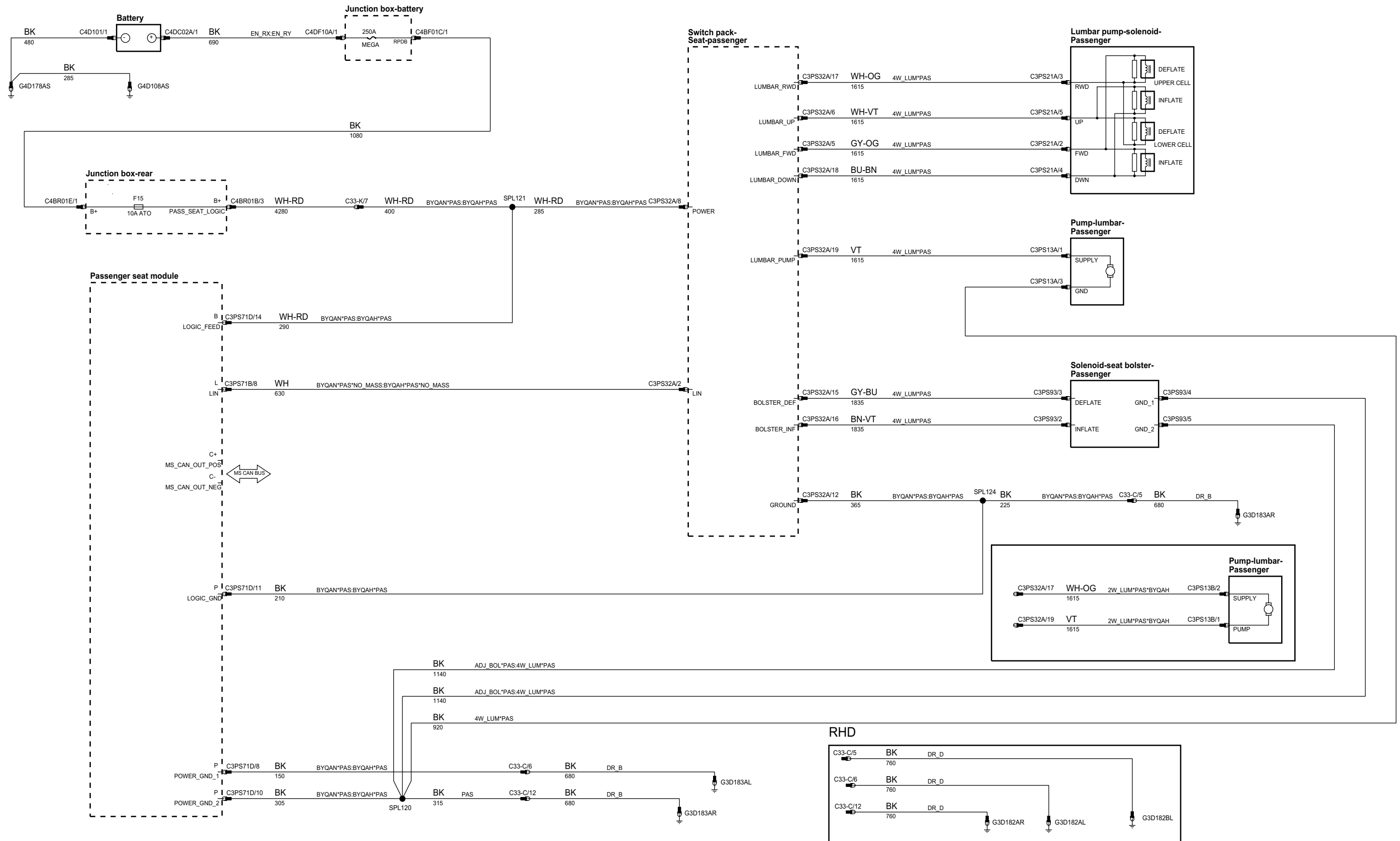
phaw93-70347-e-a6



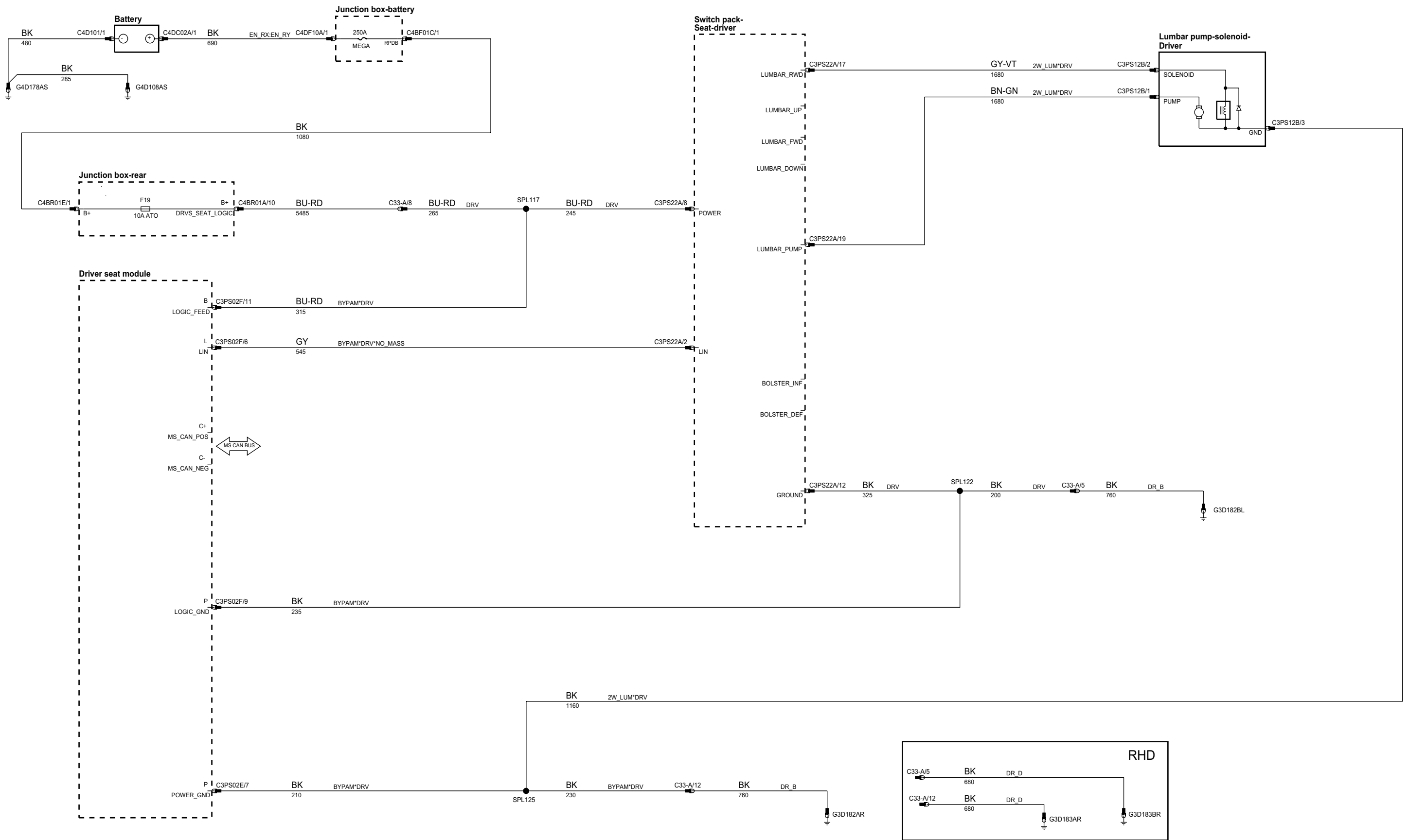
phaw93-70348-a-a6



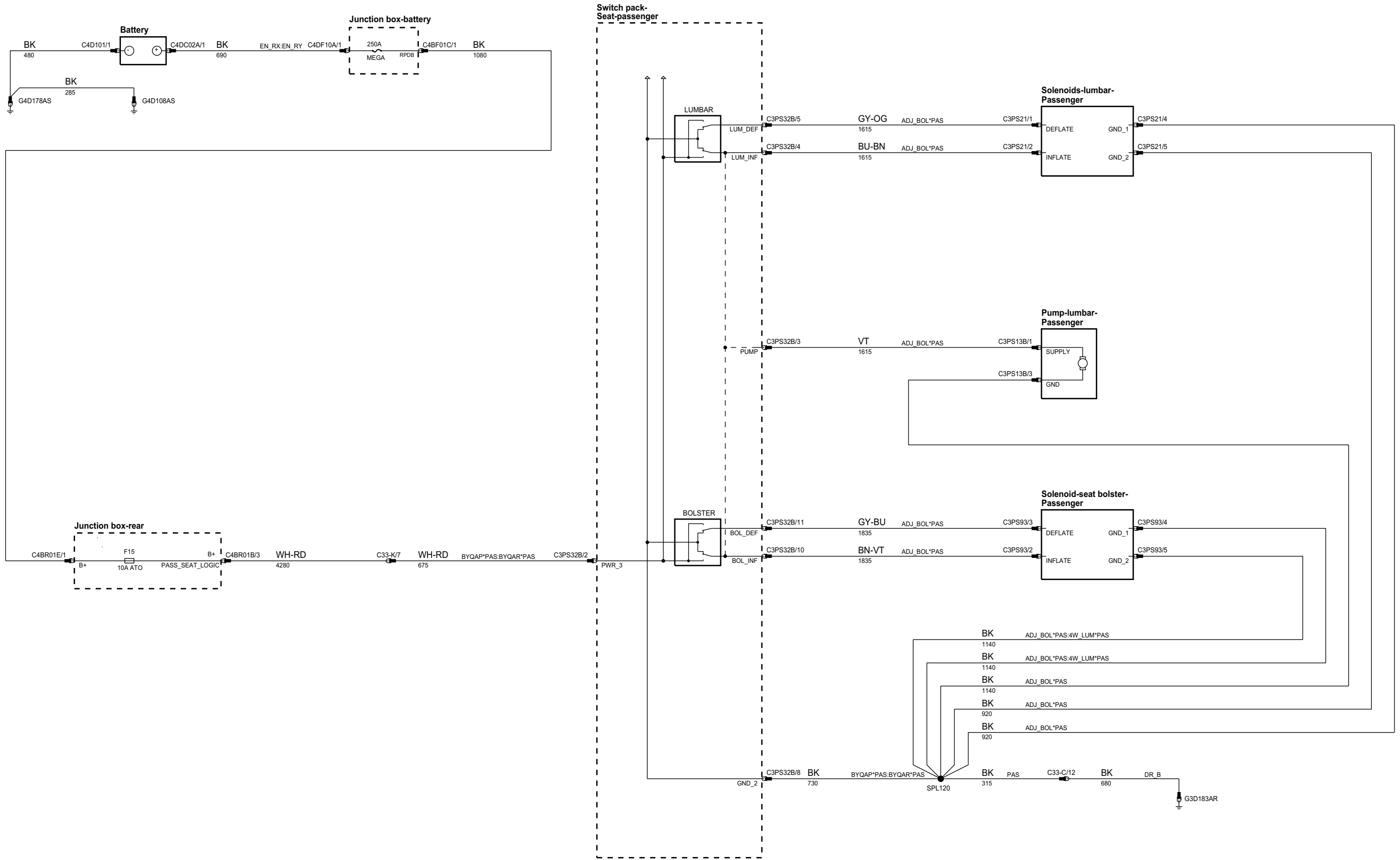
phaw93-70348-b-a6



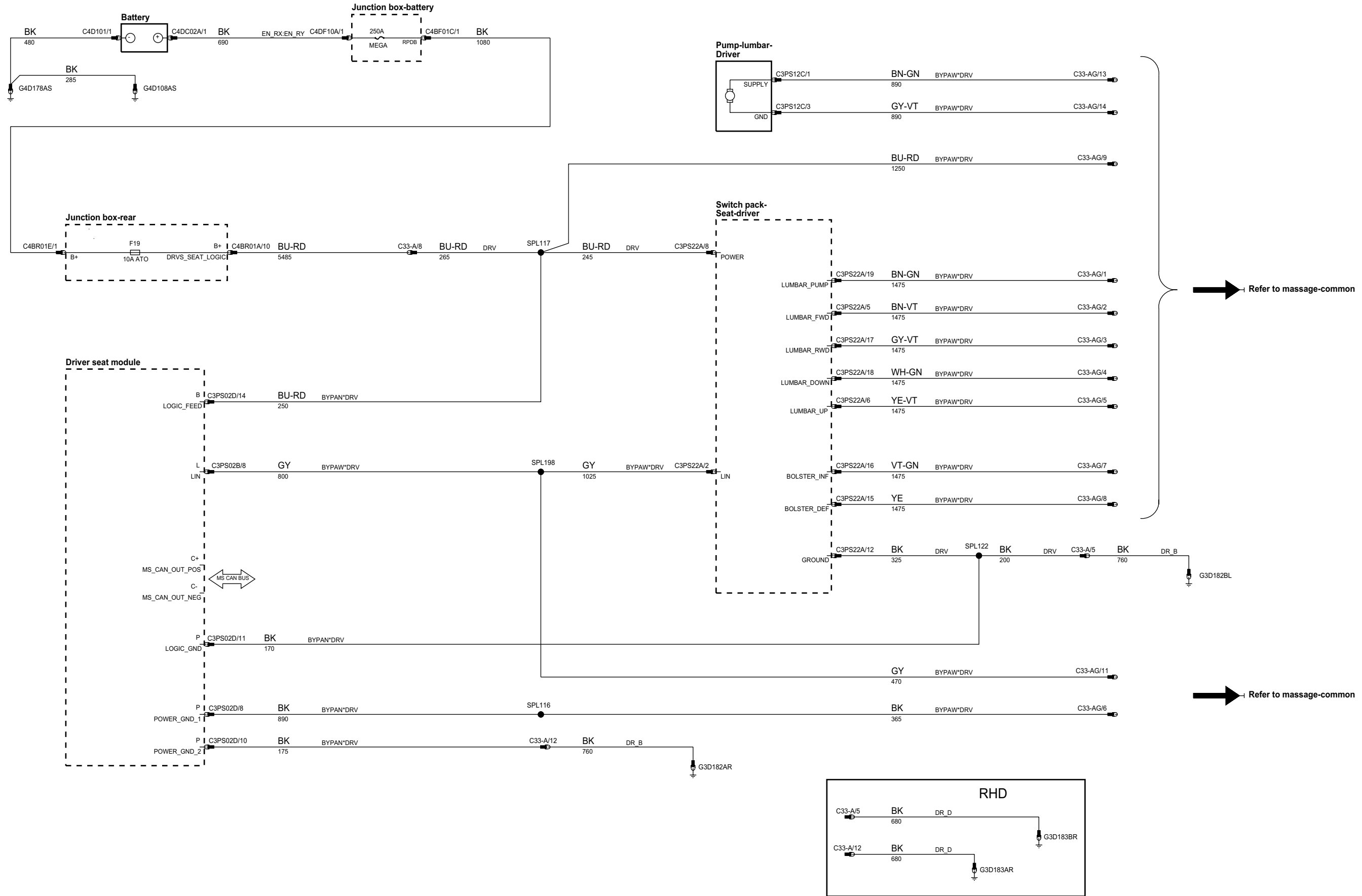
phaw93-70348-c-a6



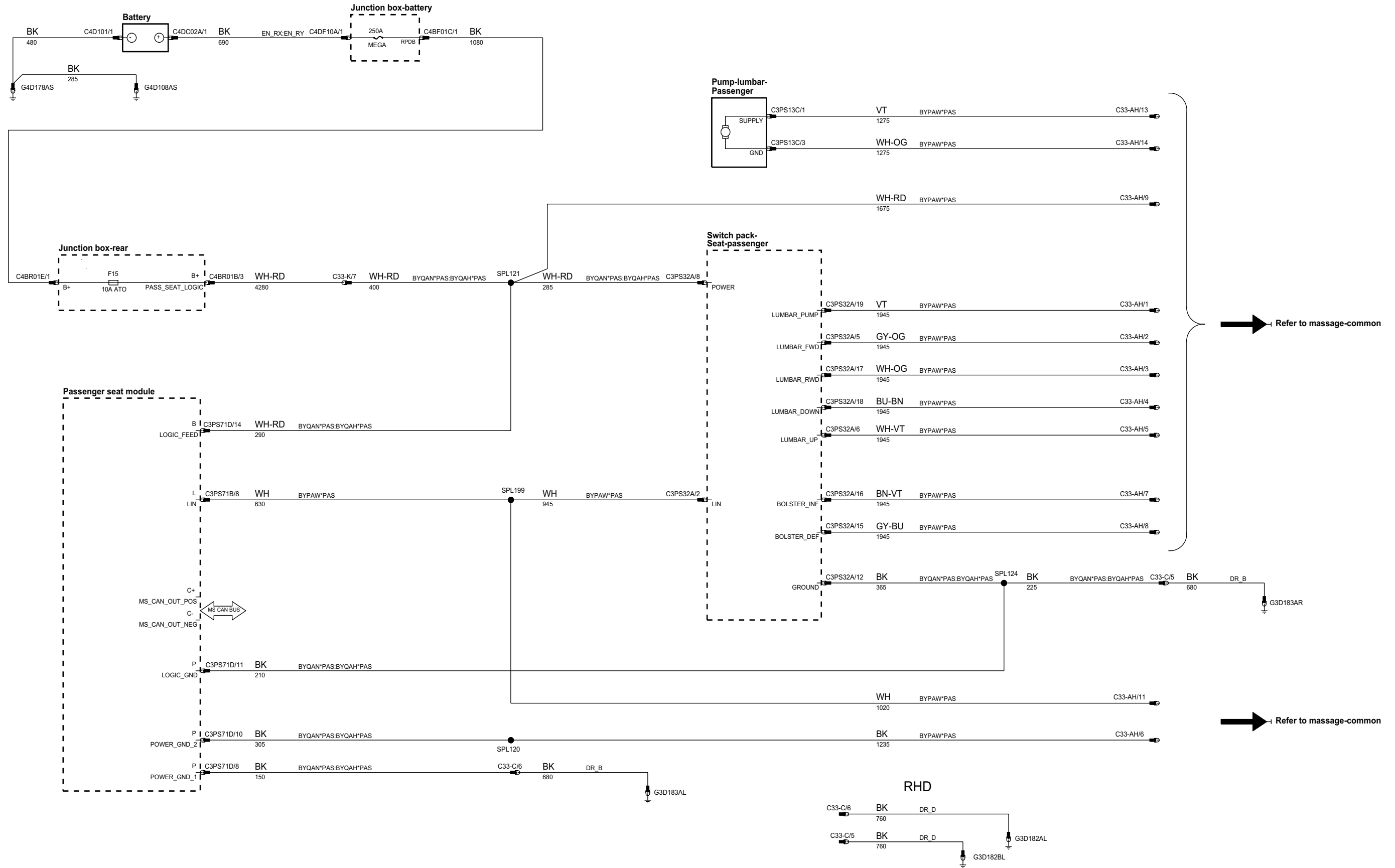
phaw93-70348-d-a6



phaw93-70348-e-a6

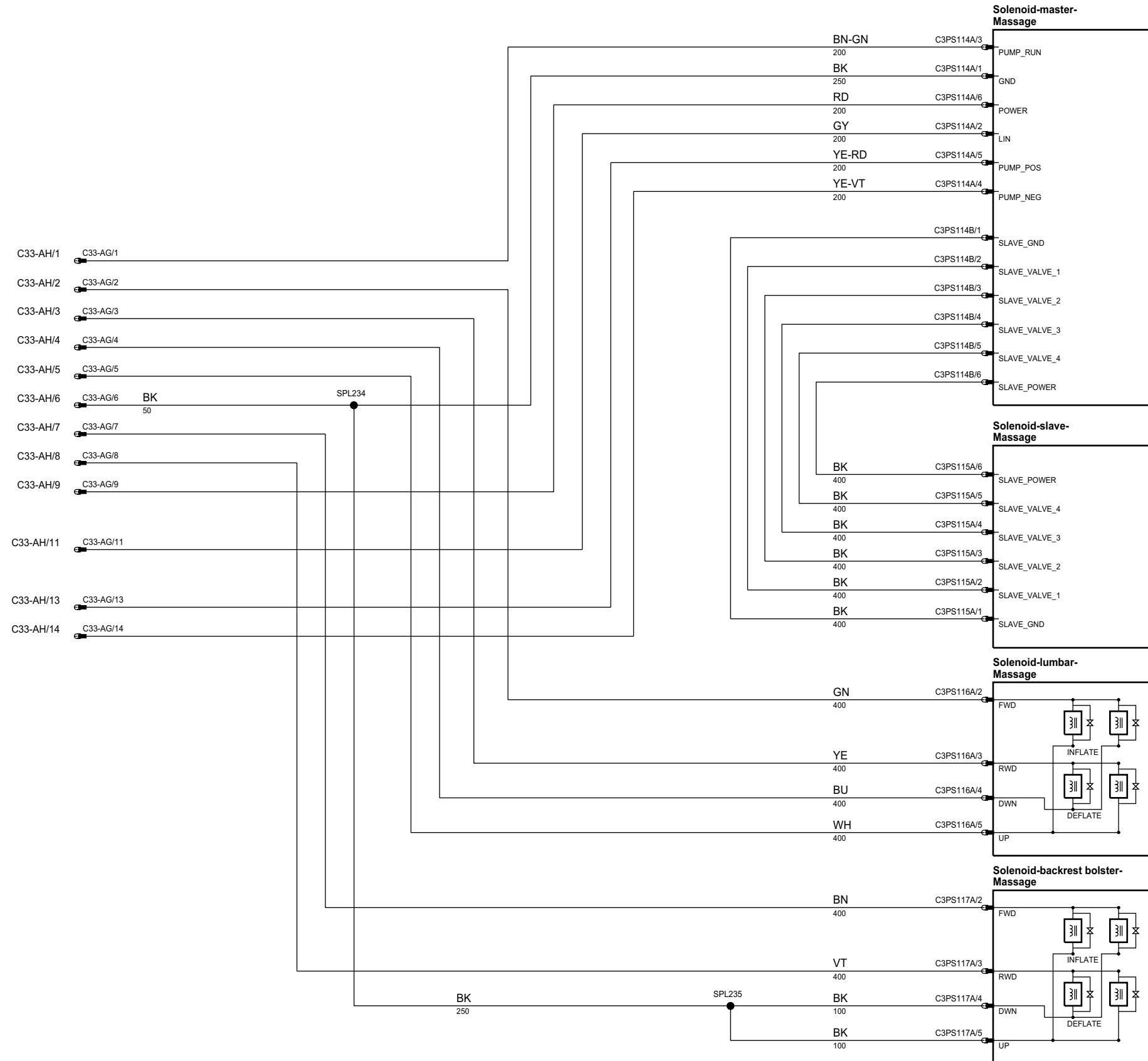


phaw93-70348-f-a6



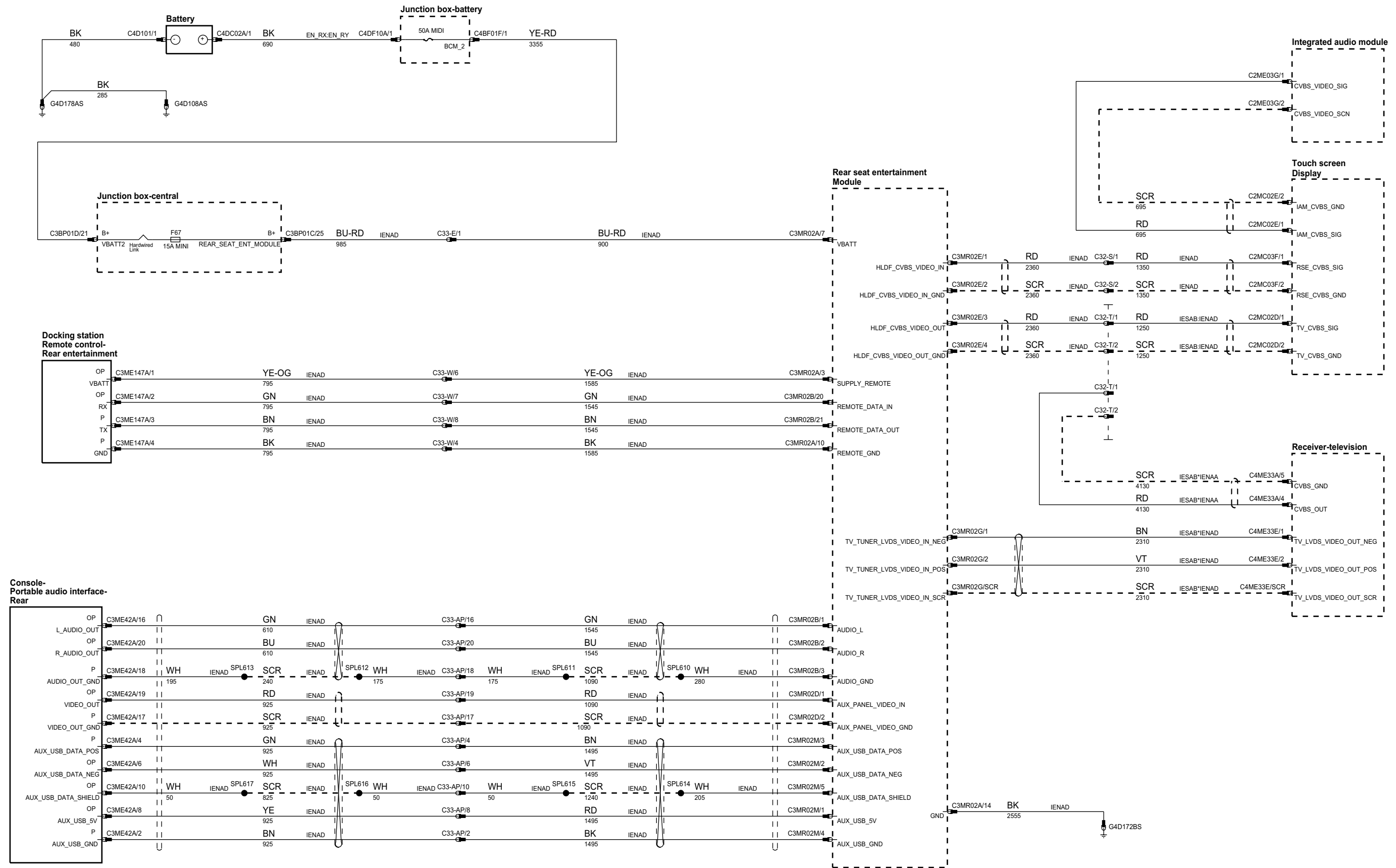
phaw93-70348-g-a6

◆ Refer to driver or passenger message

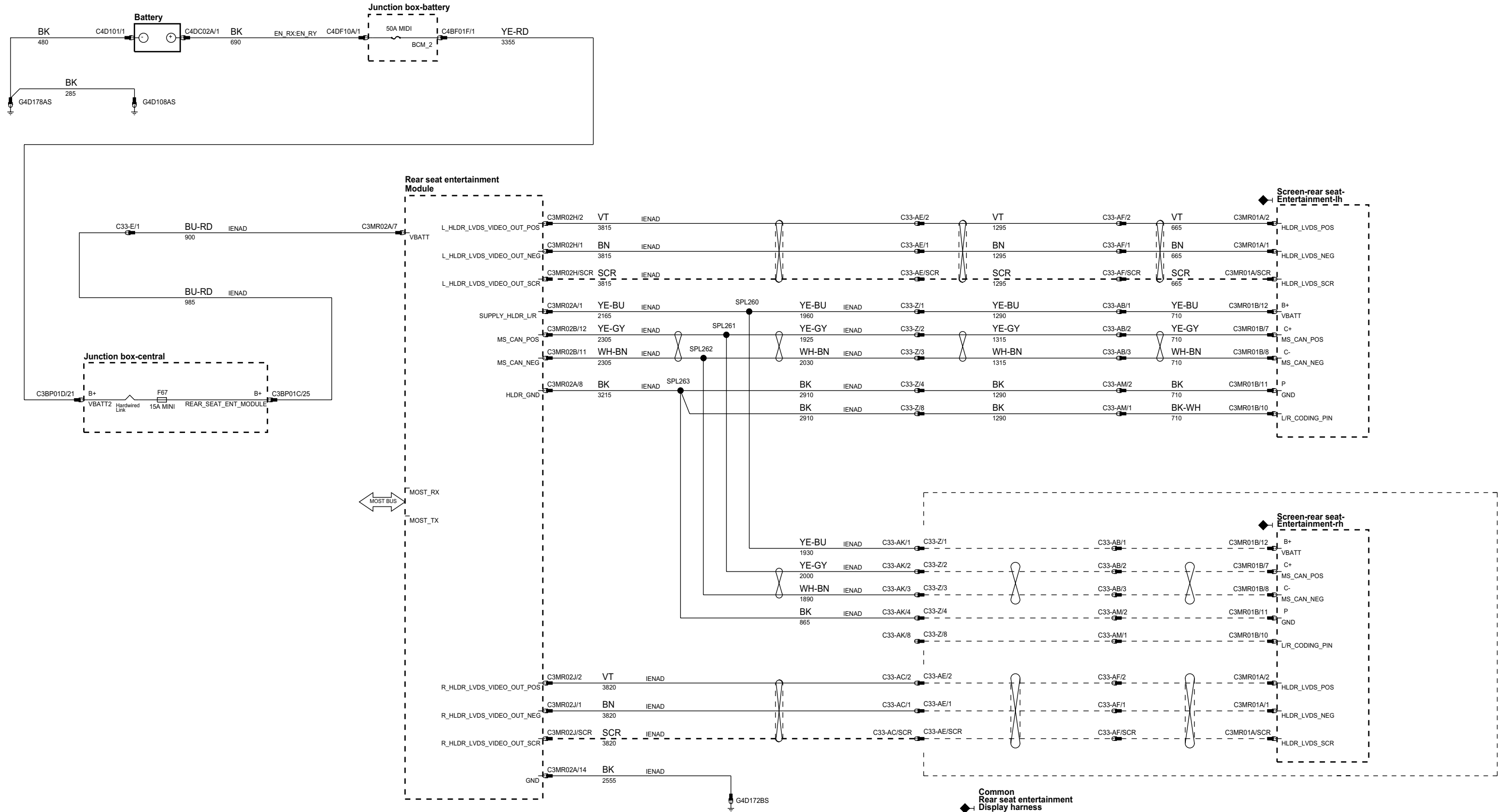


x

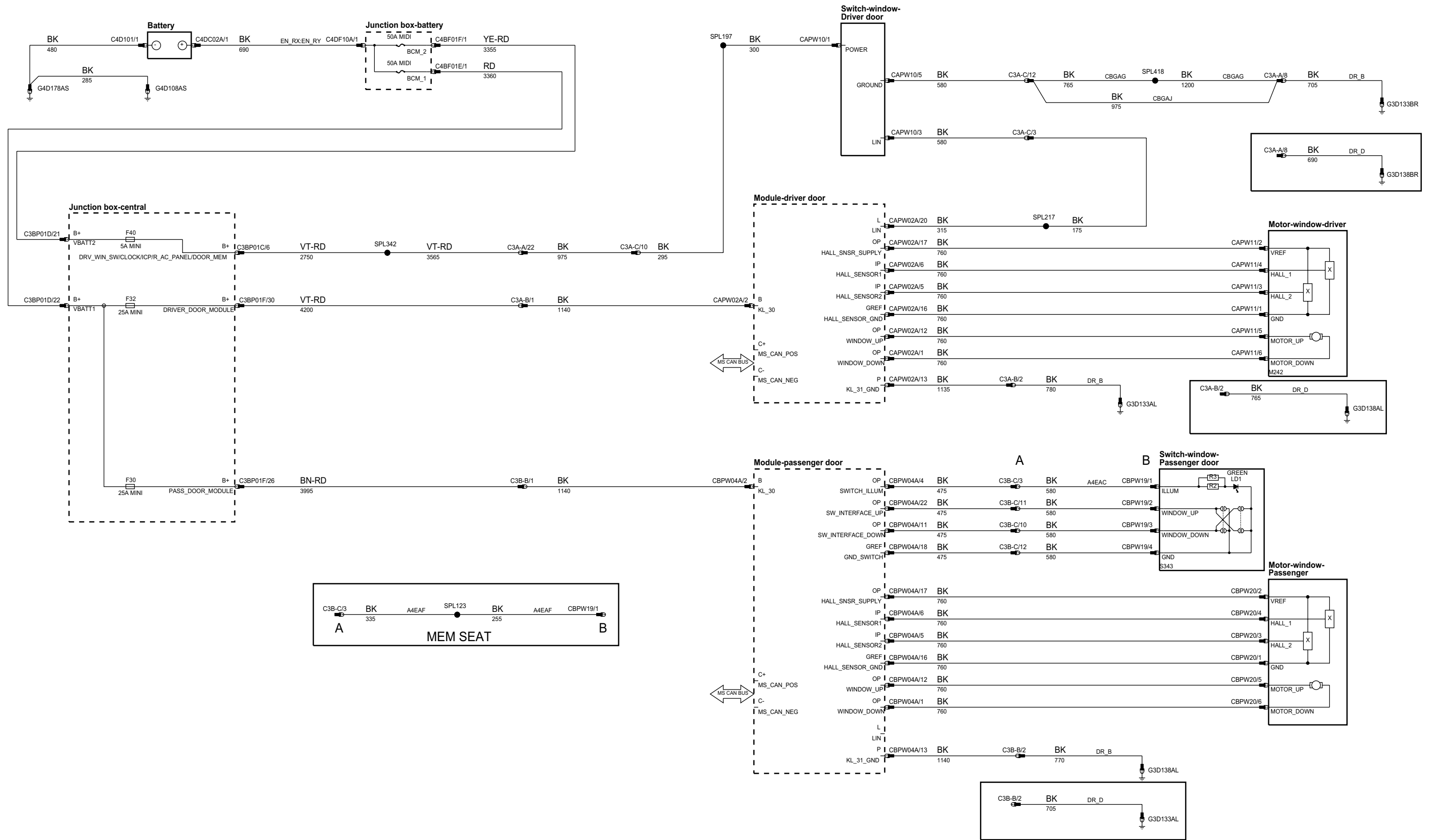
phaw93-70455-a-a6



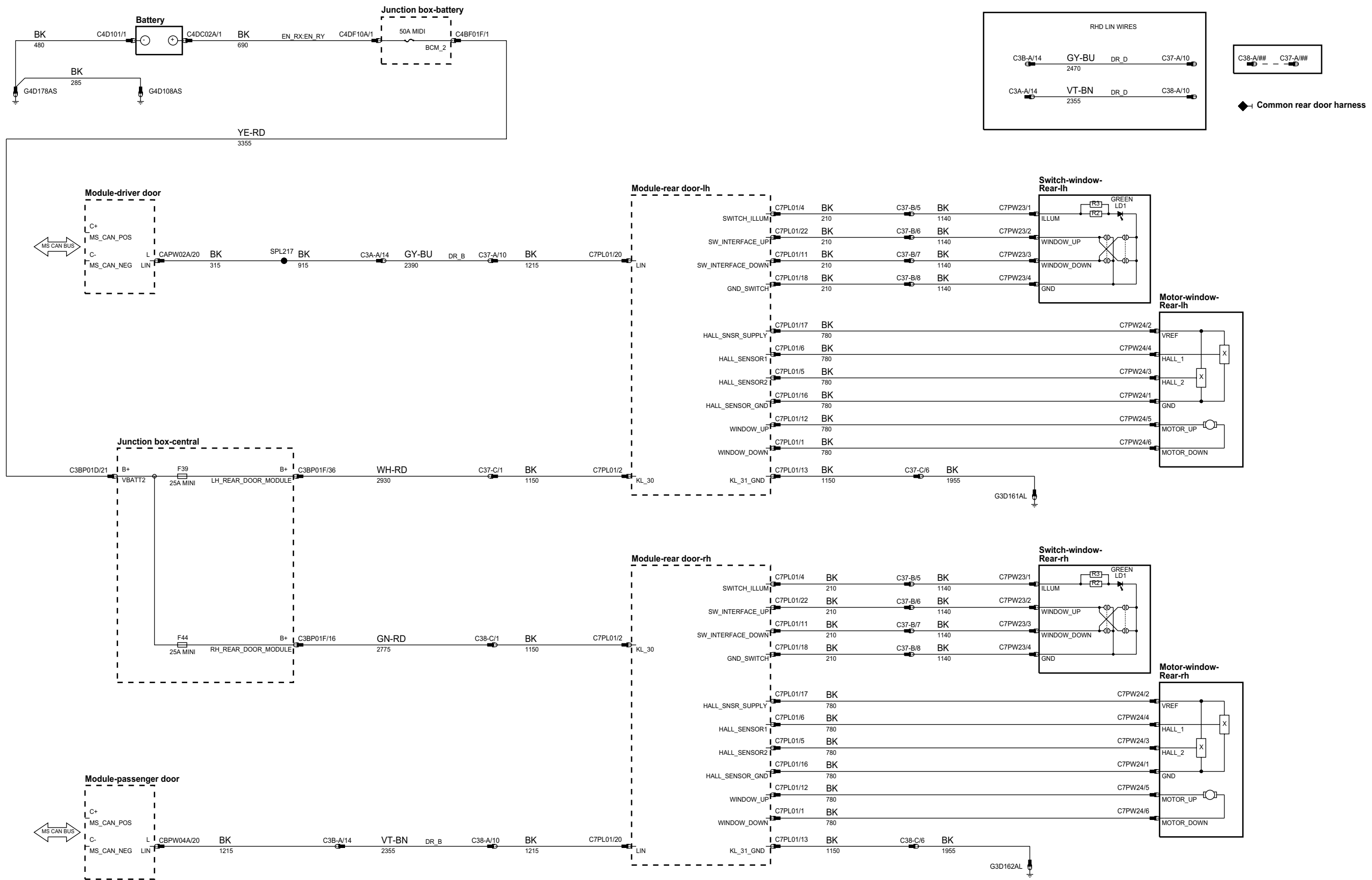
phaw93-70455-b-a6



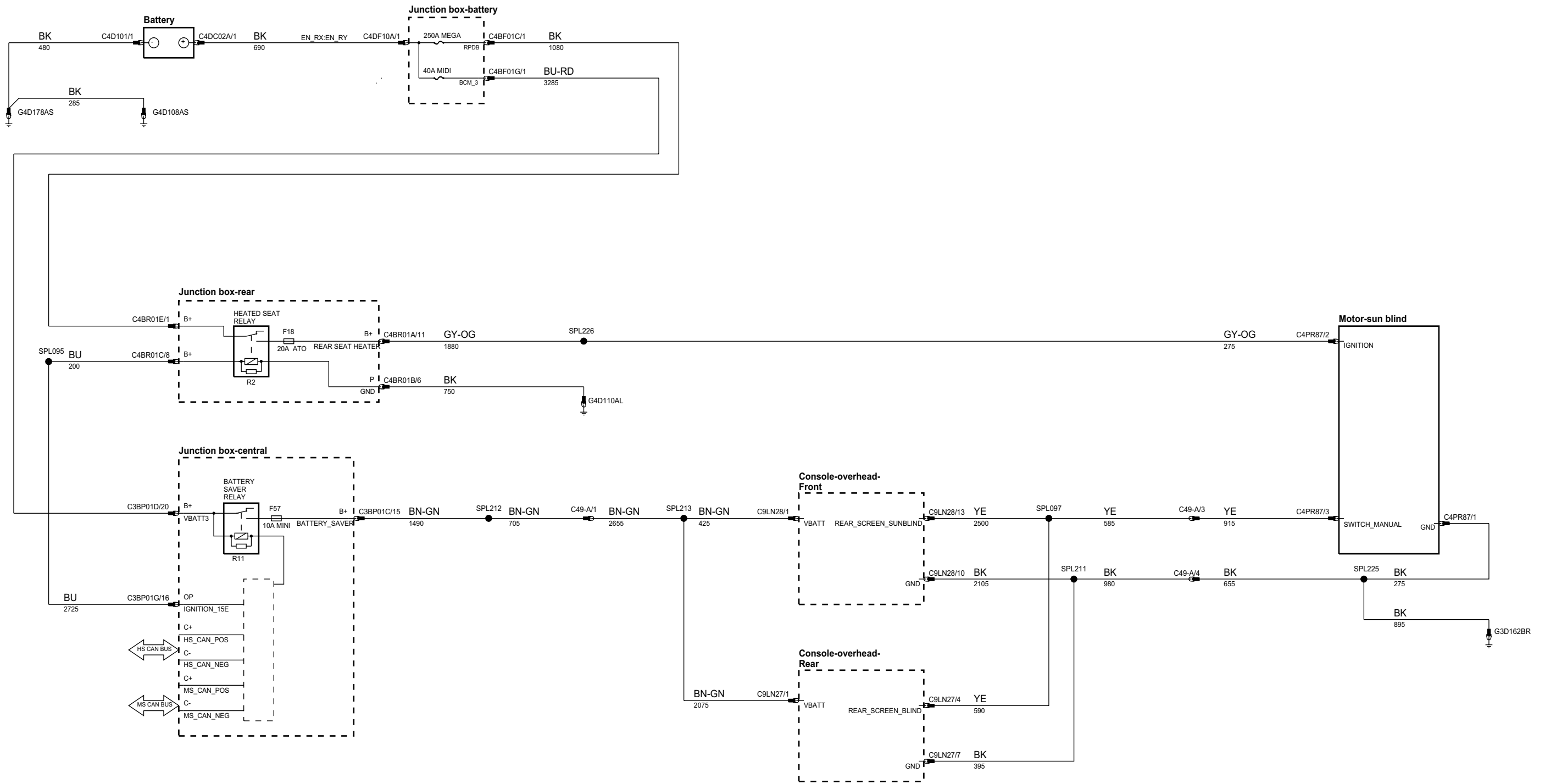
phaw93-70316-a-a6



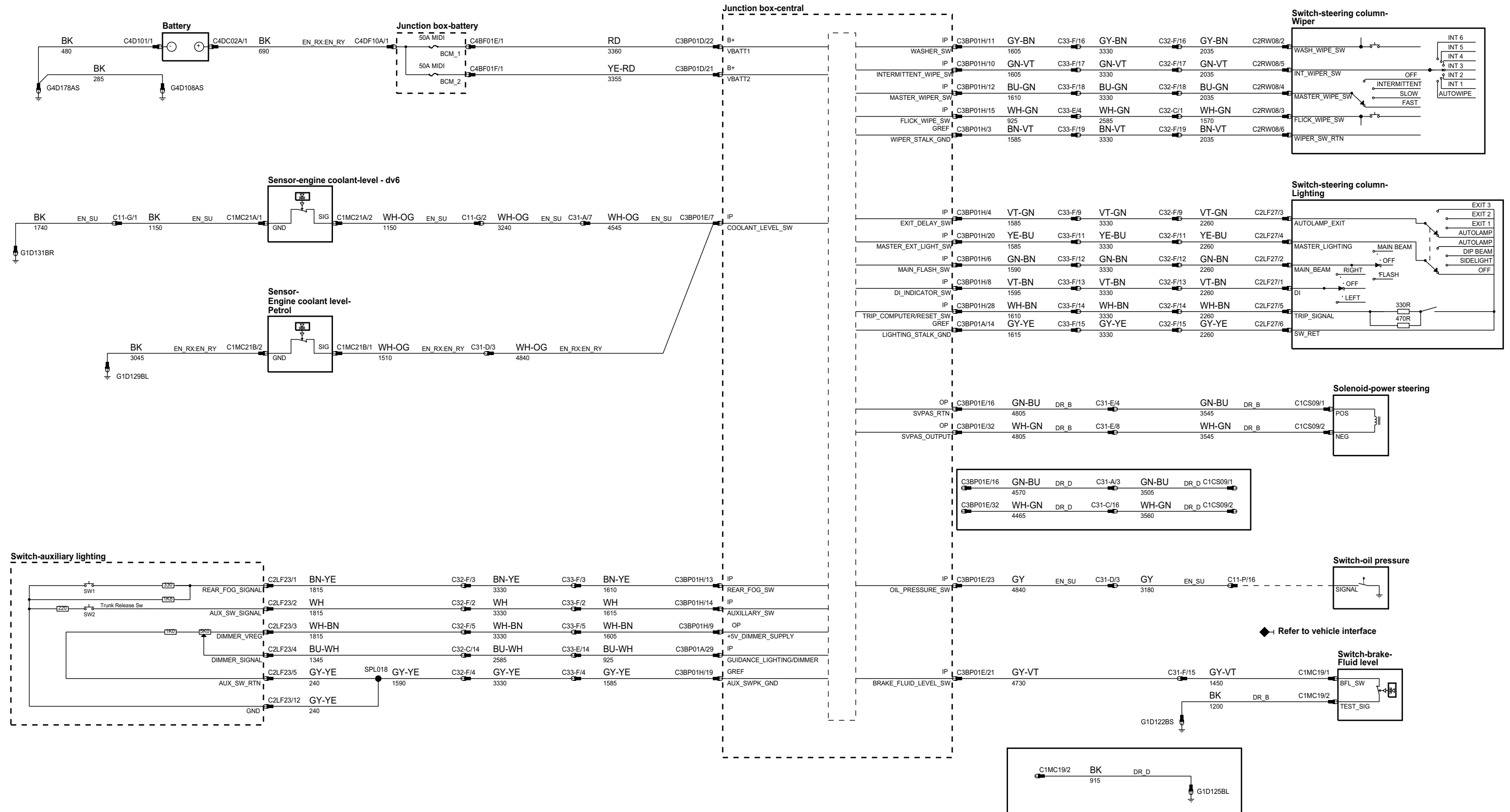
phaw93-70316-b-a6



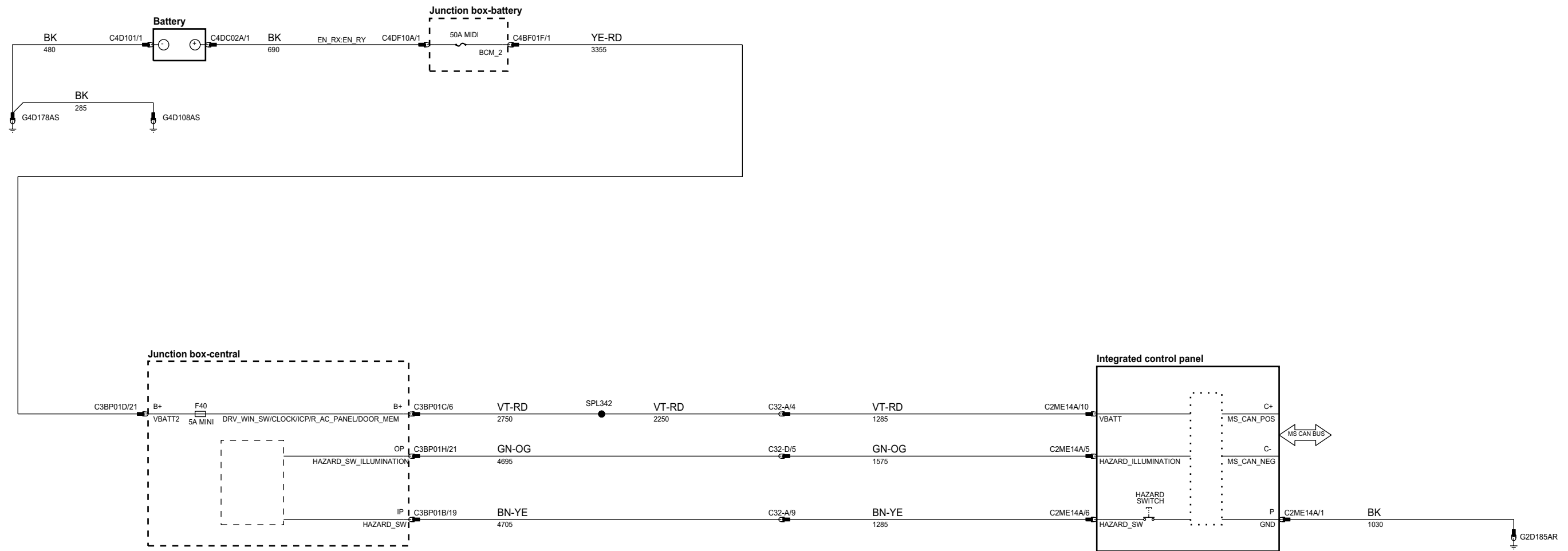
phaw93-70317-b-a6



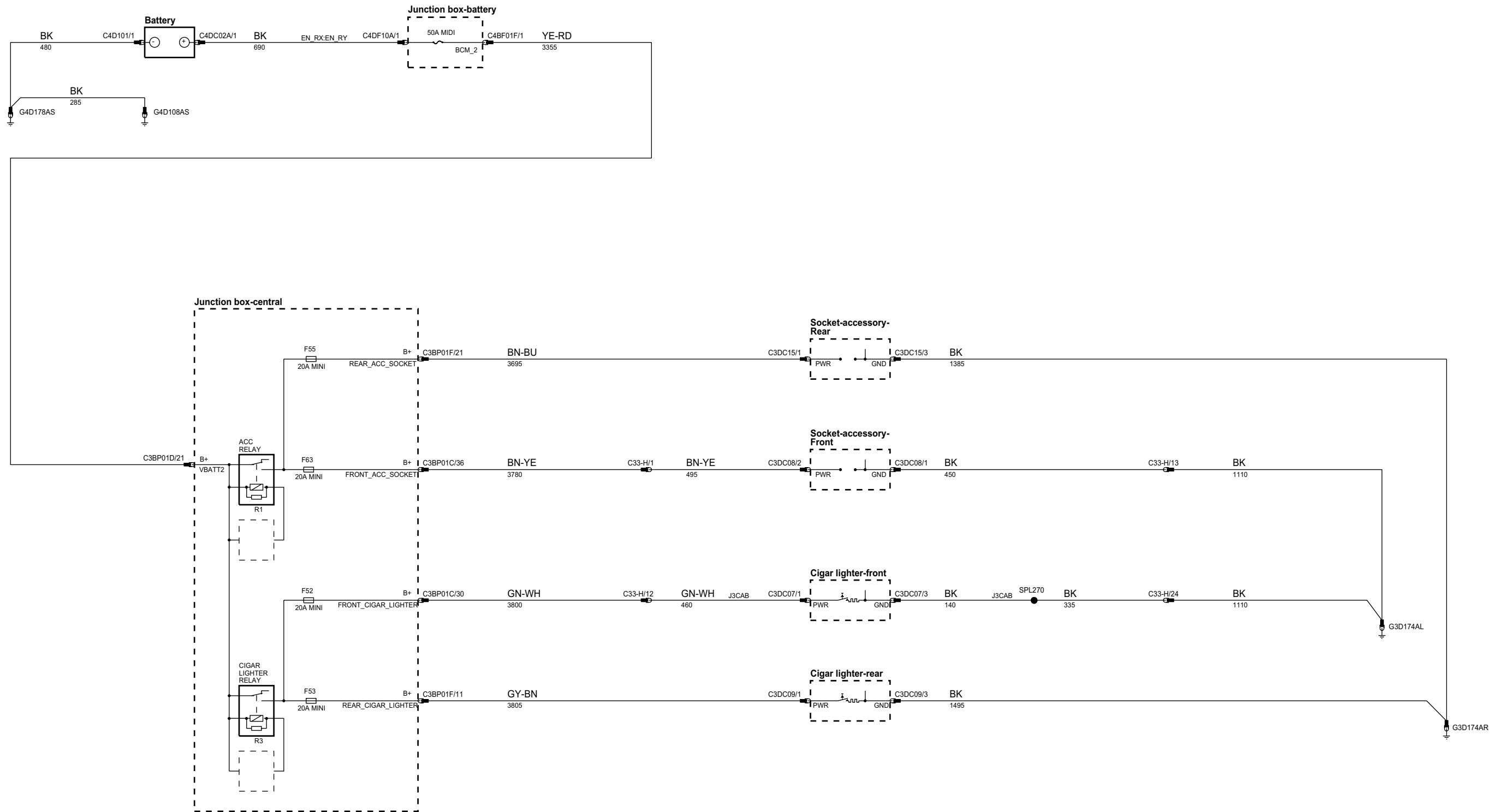
phaw93-70210-a-a6



phaw93-70210-c-a6

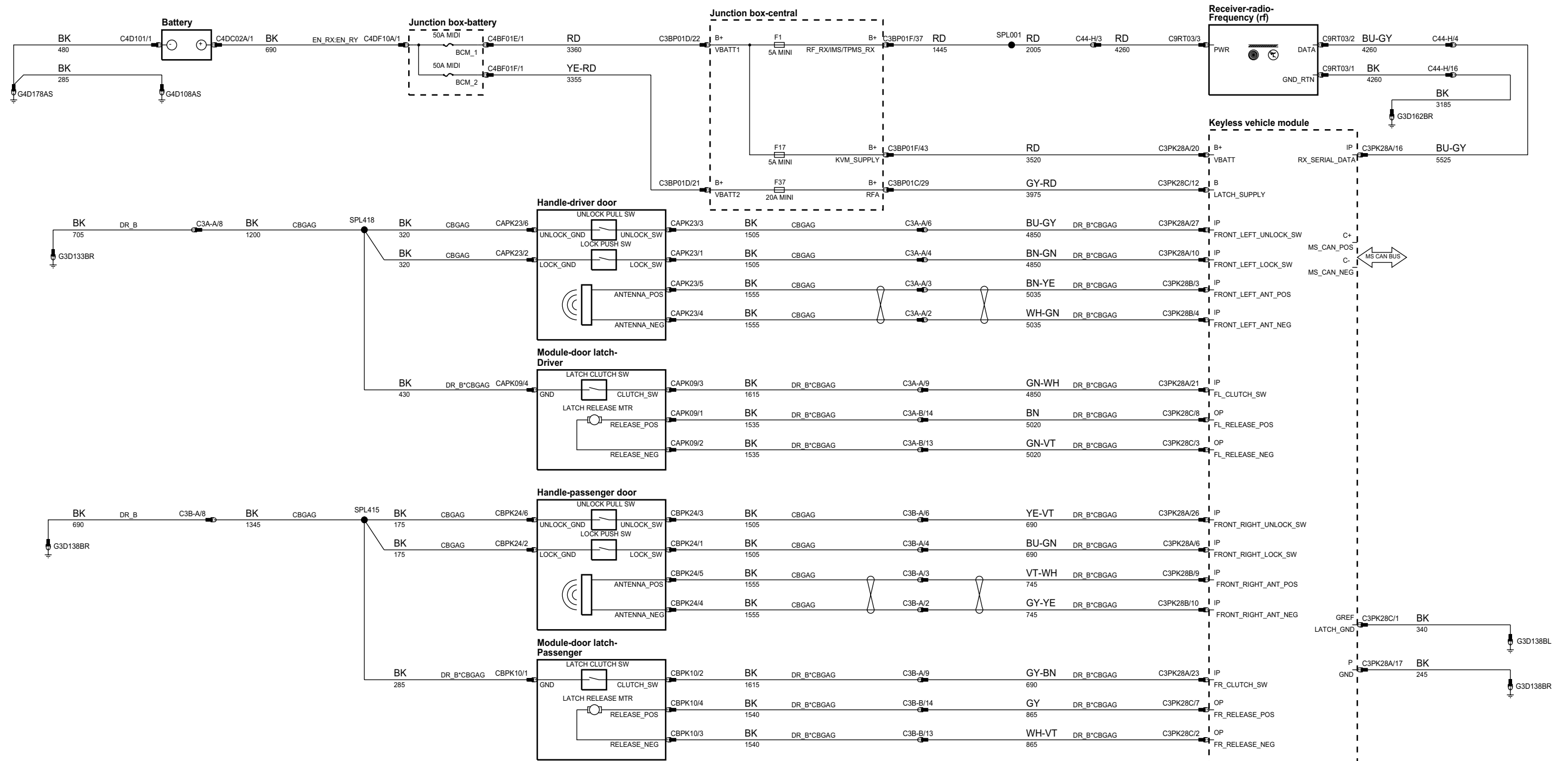


phaw93-70365-a-a6

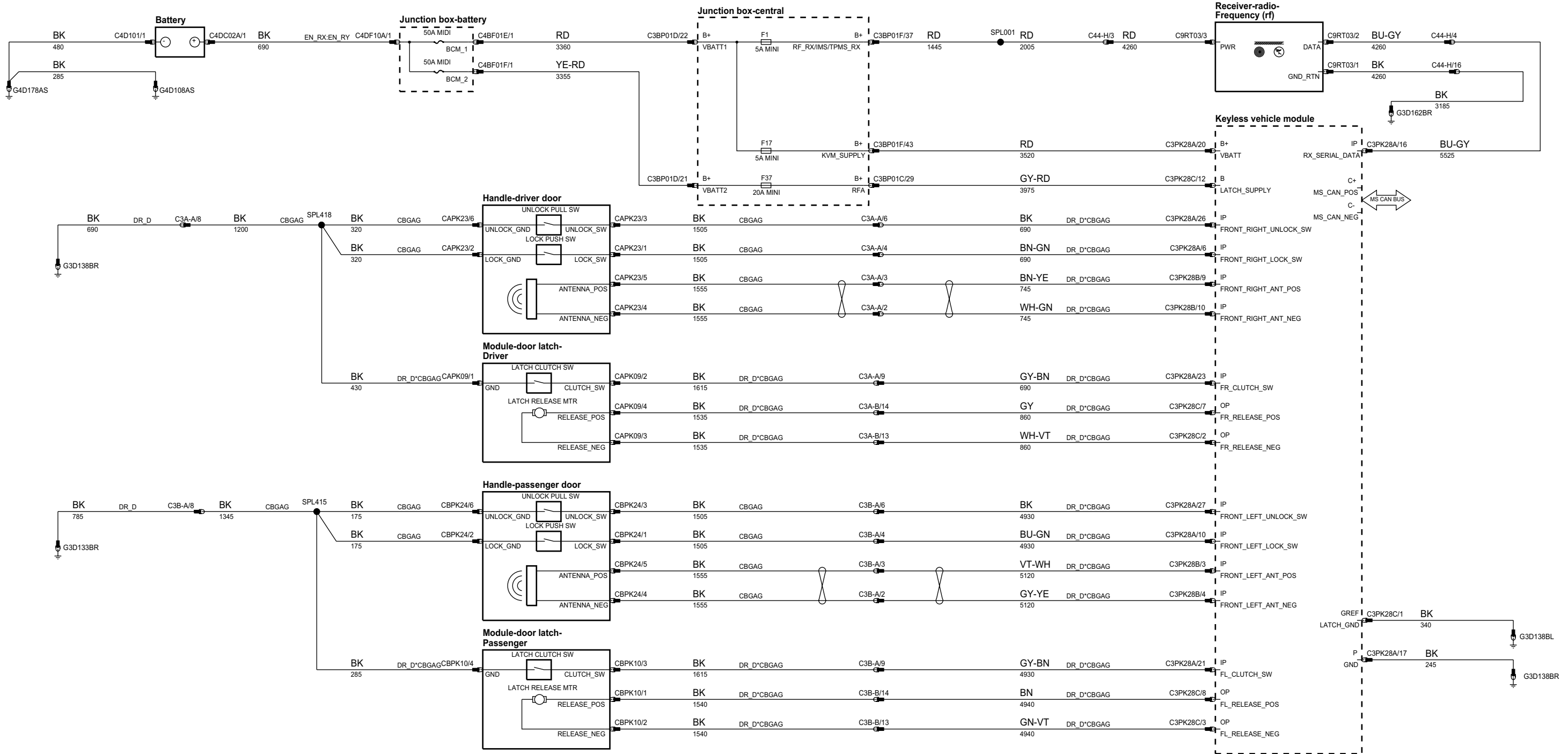


x

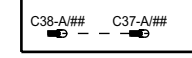
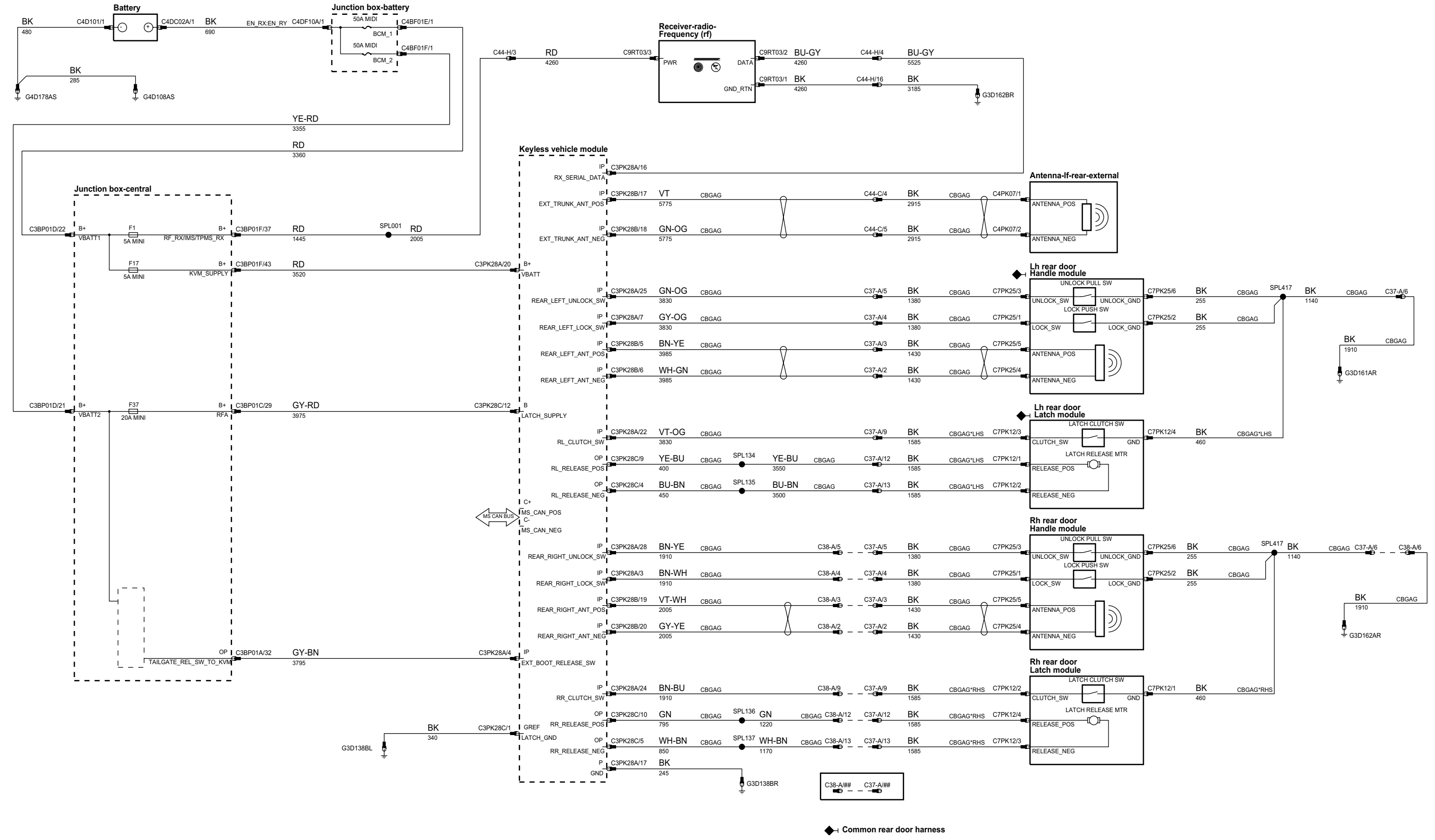
phaw93-70417-a-a6



phaw93-70417-b-a6

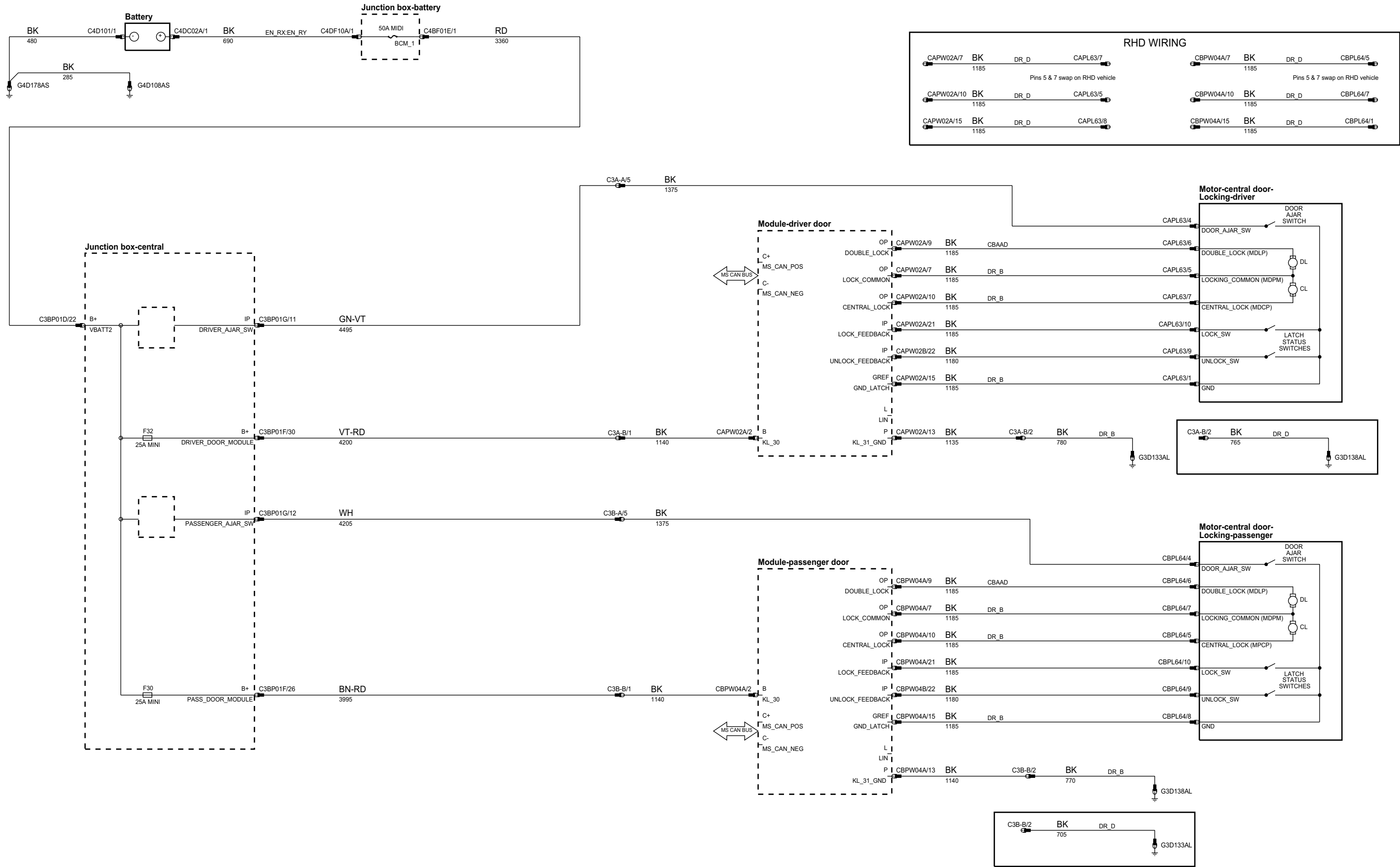


phaw93-70417-c-a6

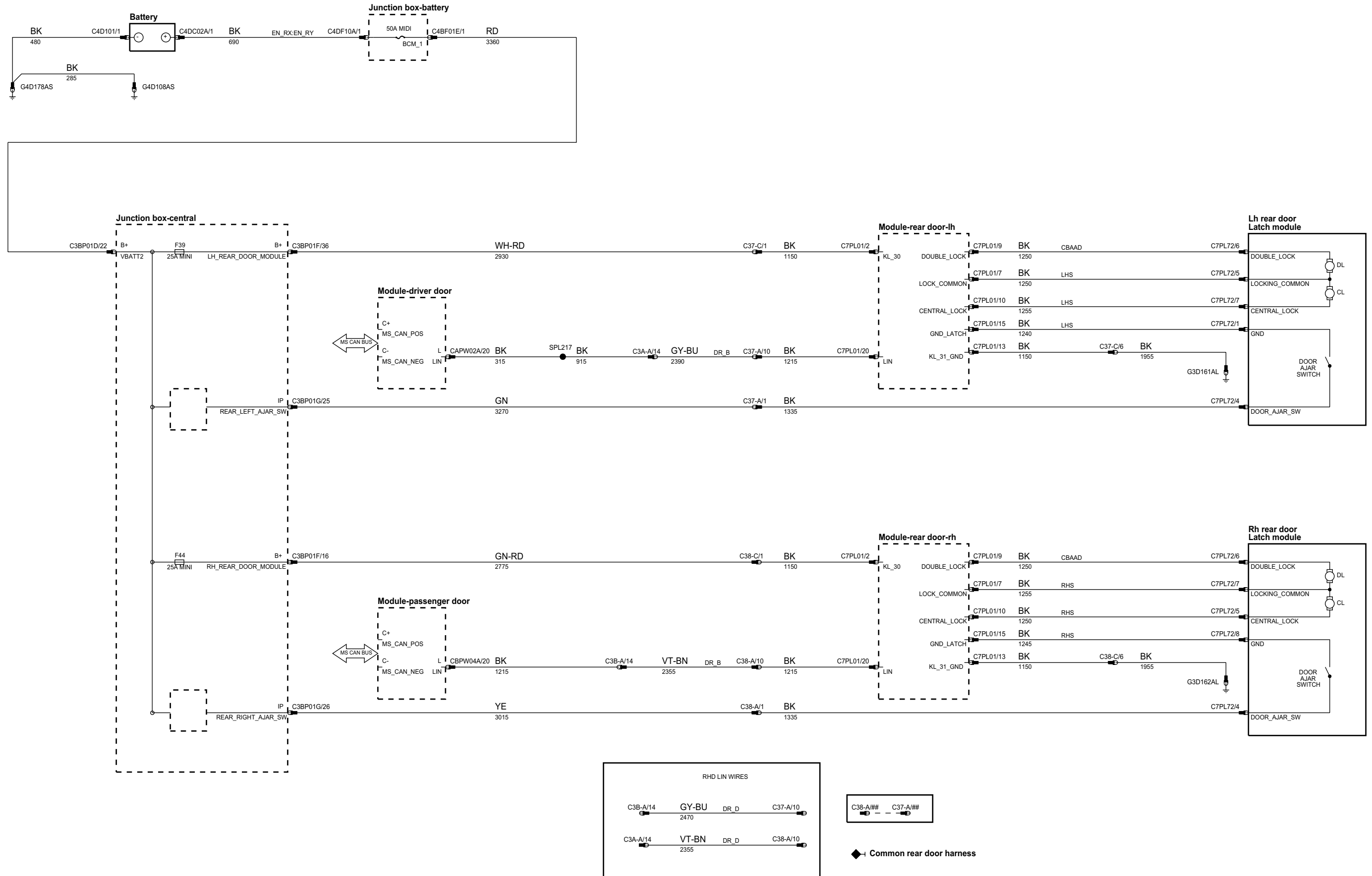


◆ Common rear door harness

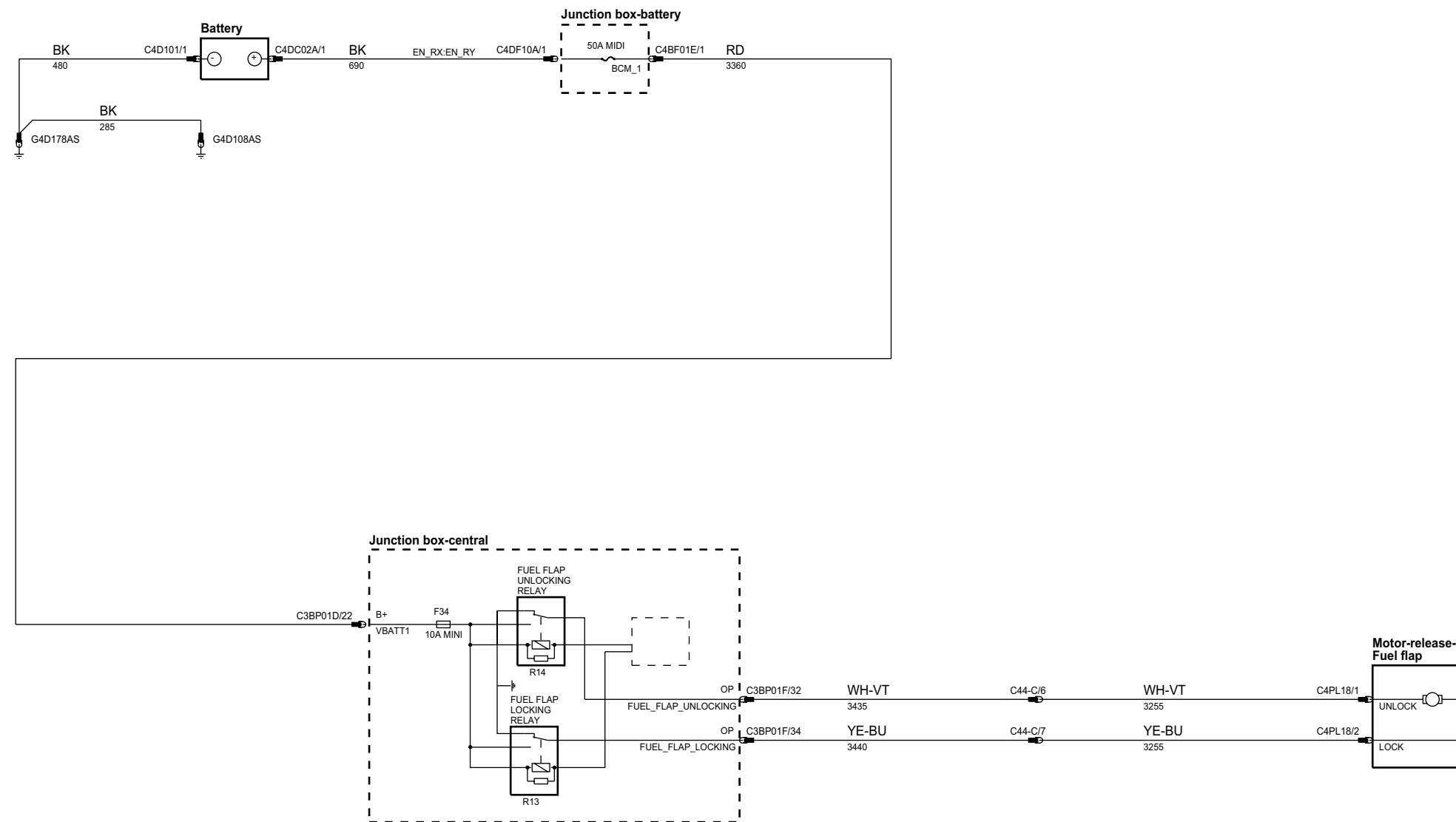
phaw93-70421-a-a6



phaw93-70421-d-a6

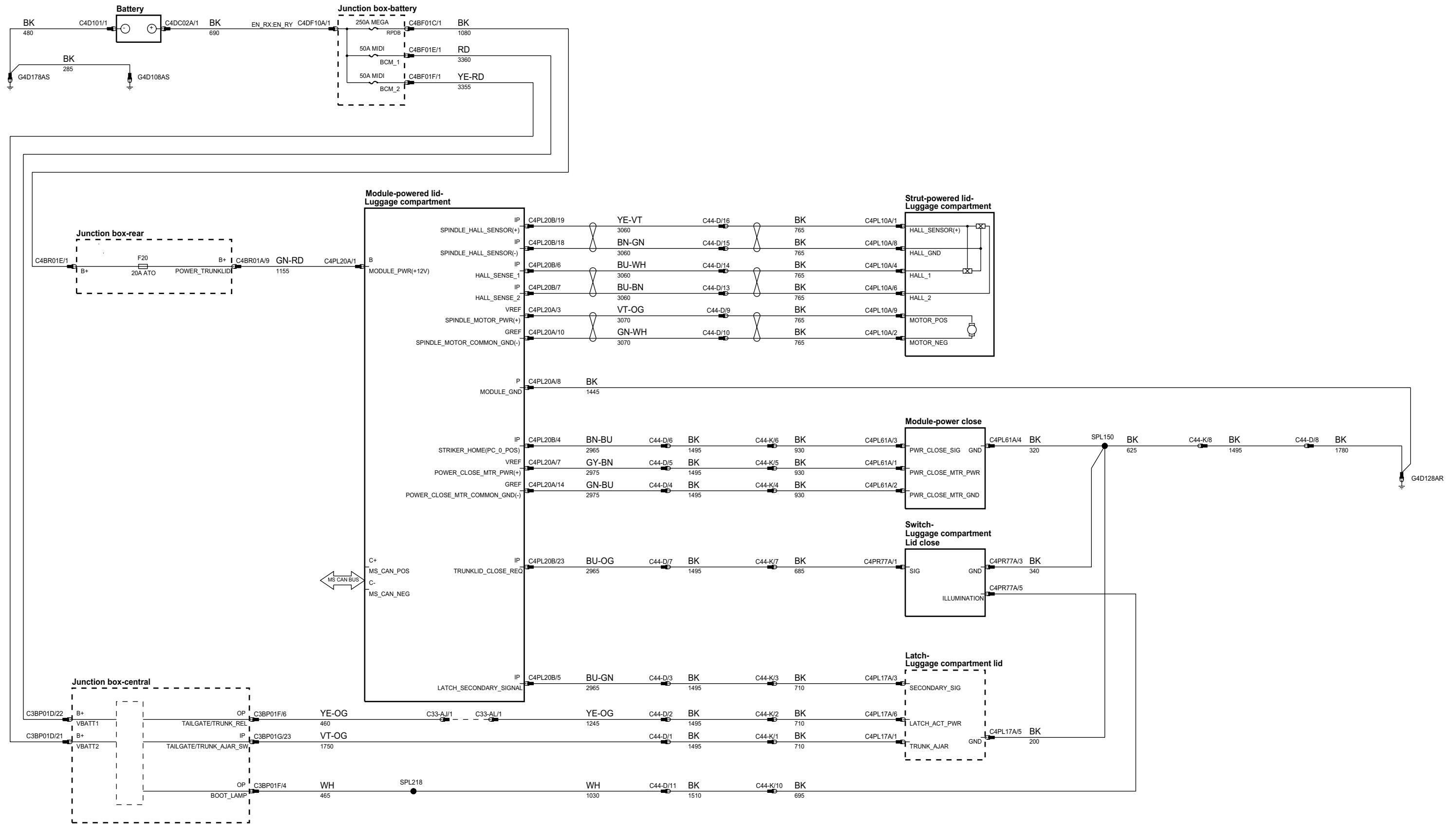


phaw93-70421-b-a6

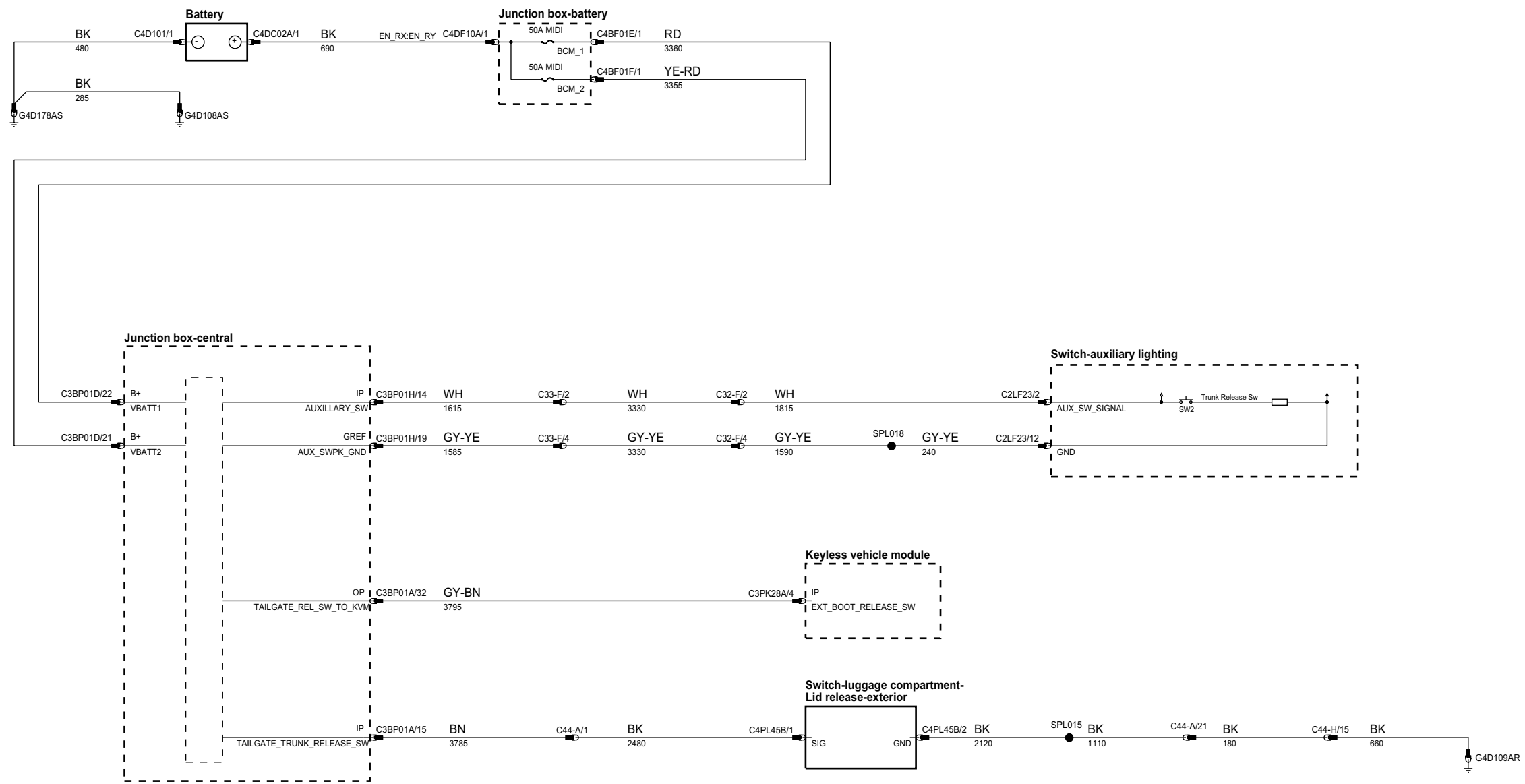


x

phaw93-70354-a-a6

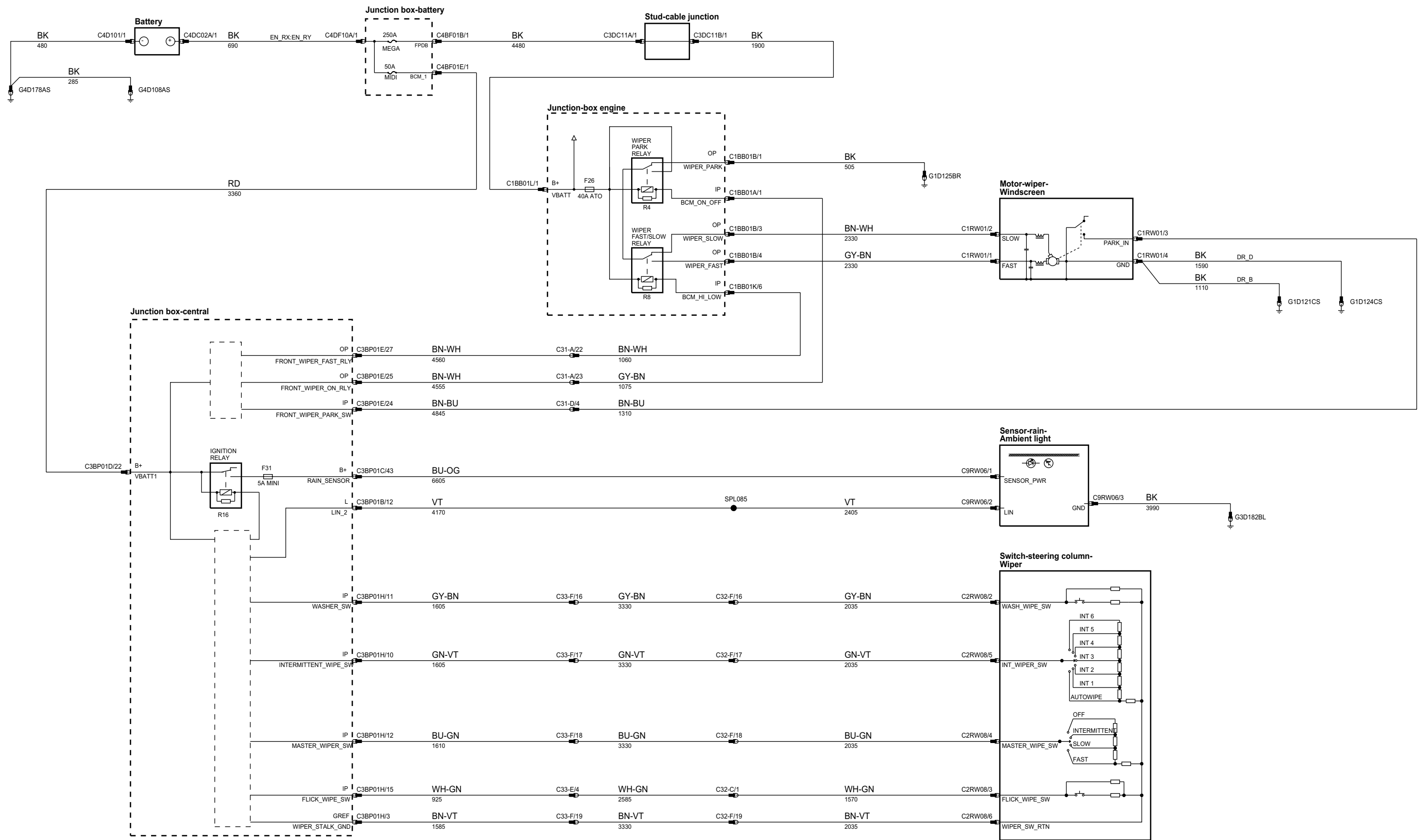


phaw93-70354-b-a6



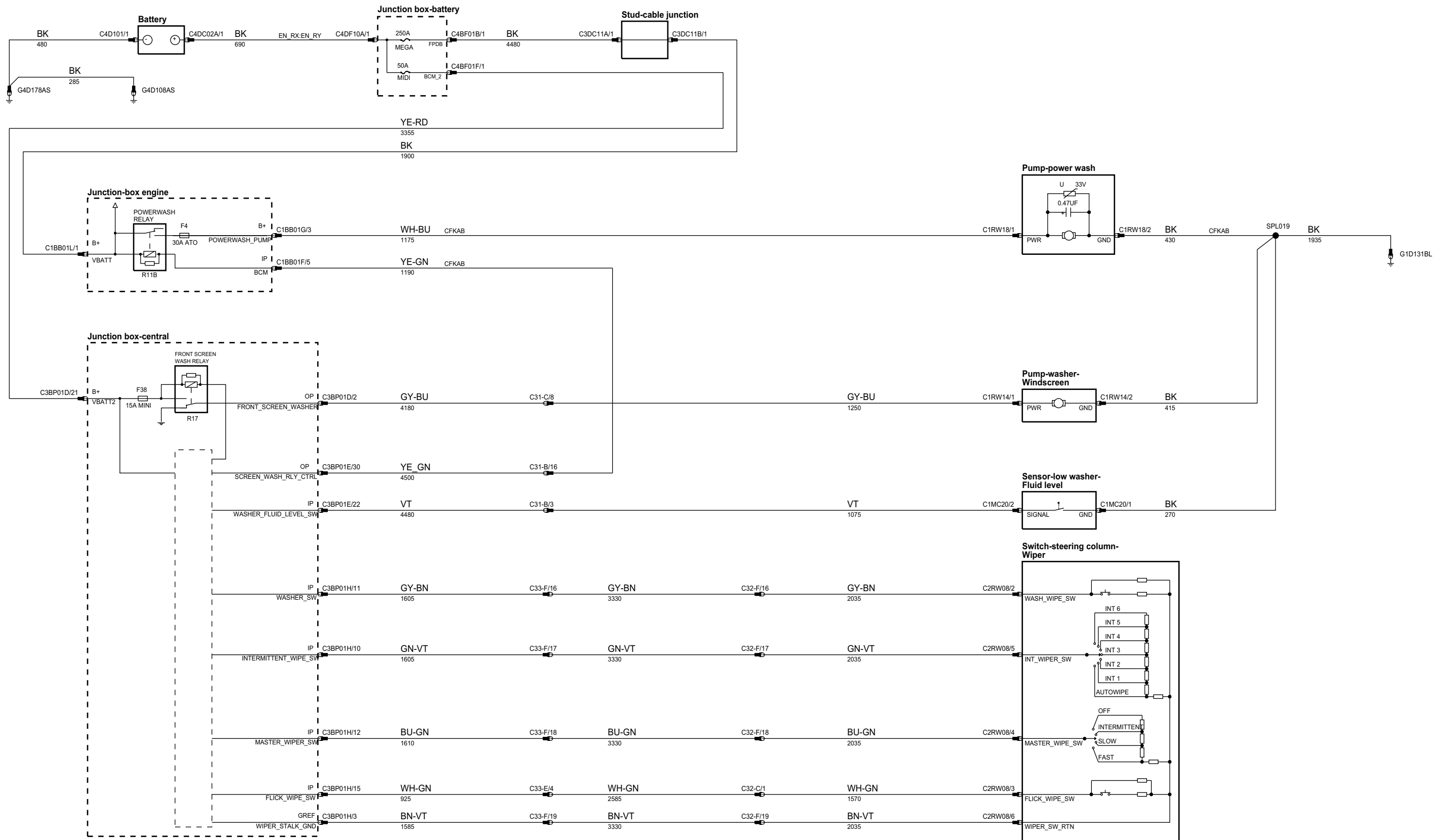
x

phaw93-70133-a-a6

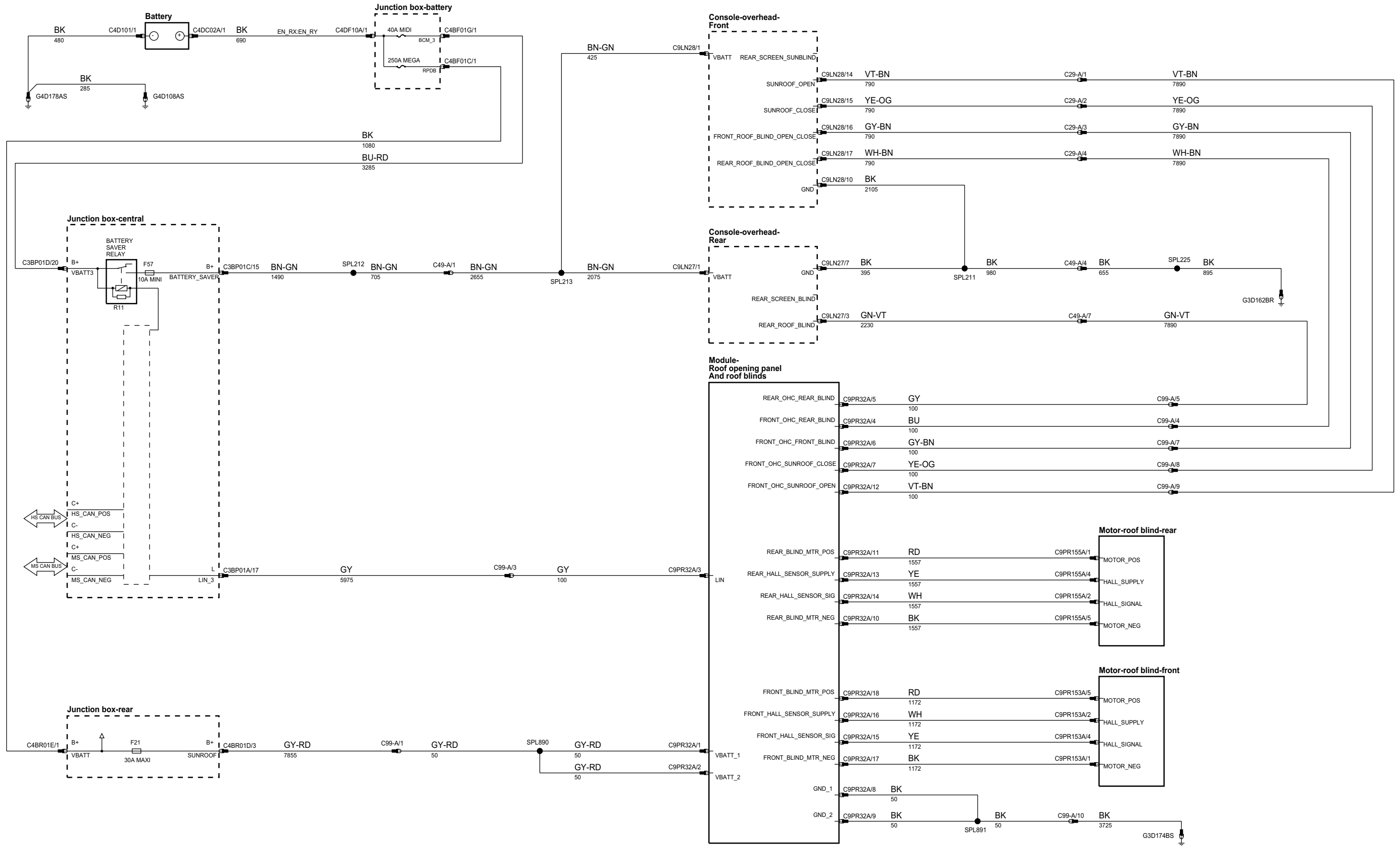


501-16 - WIPERS AND WASHERS

phaw93-70133-b-a6

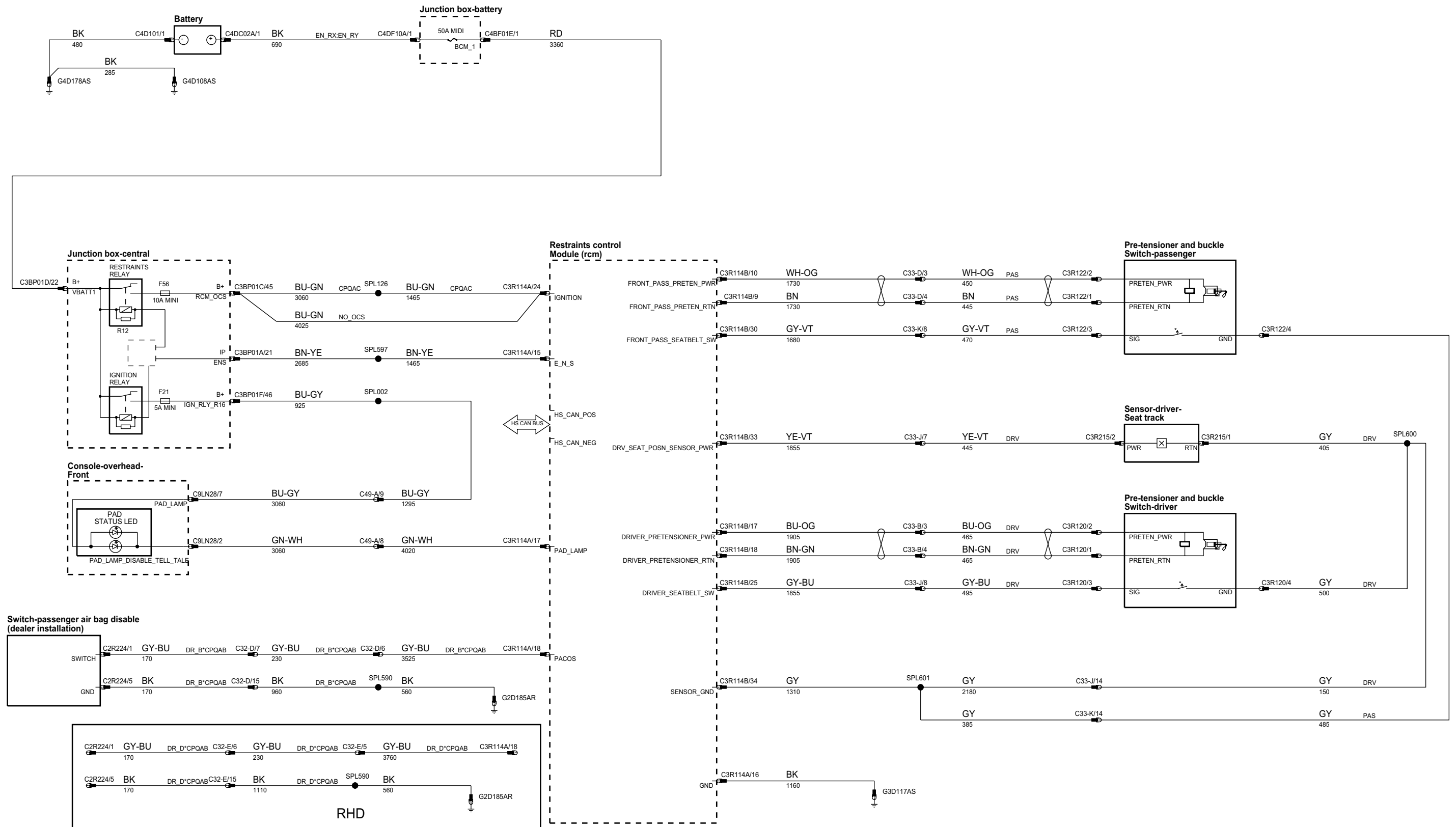


phaw93-70317-a-a6

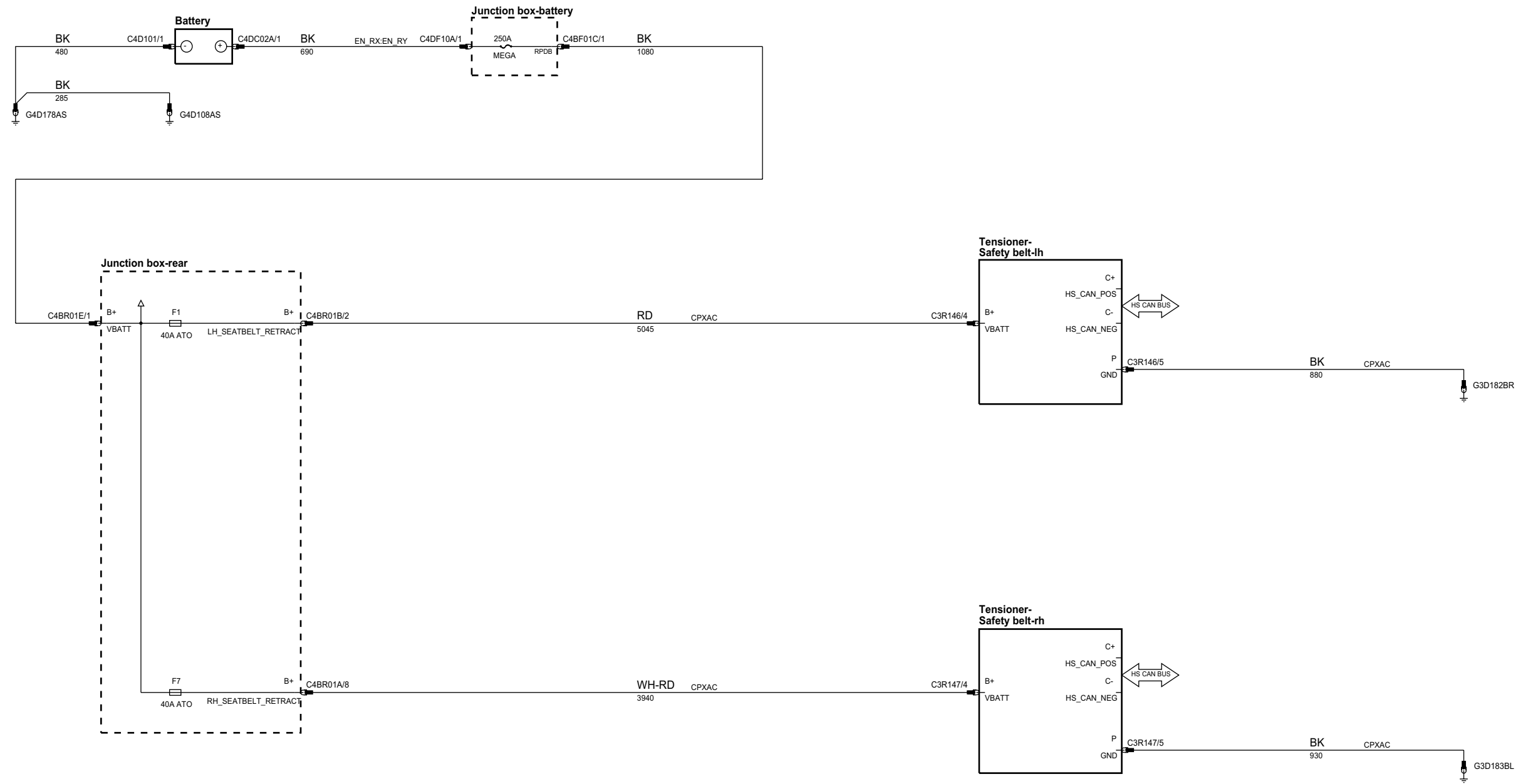


501-20A - SAFETY BELT SYSTEM

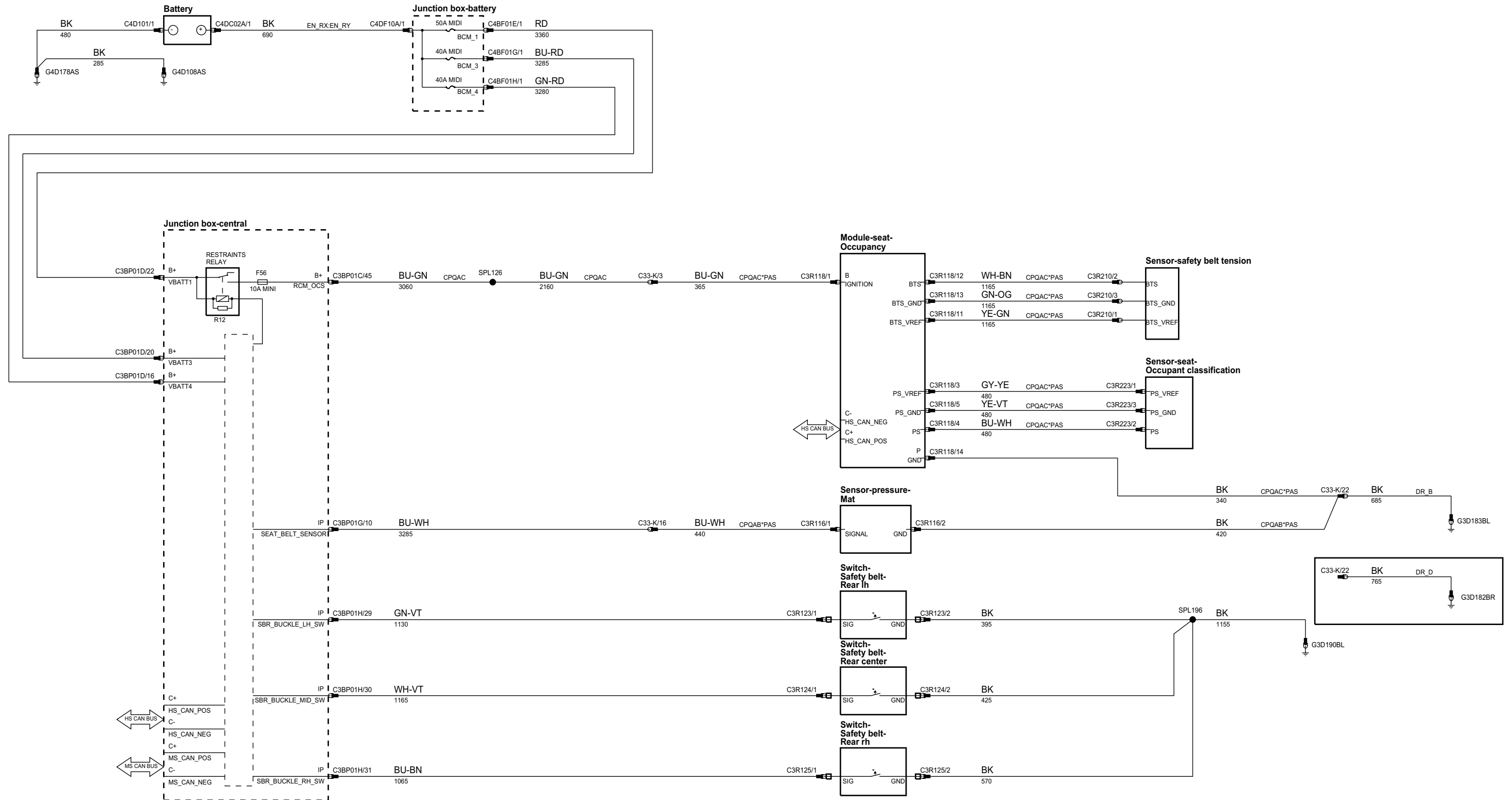
phaw93-70150-c-a6



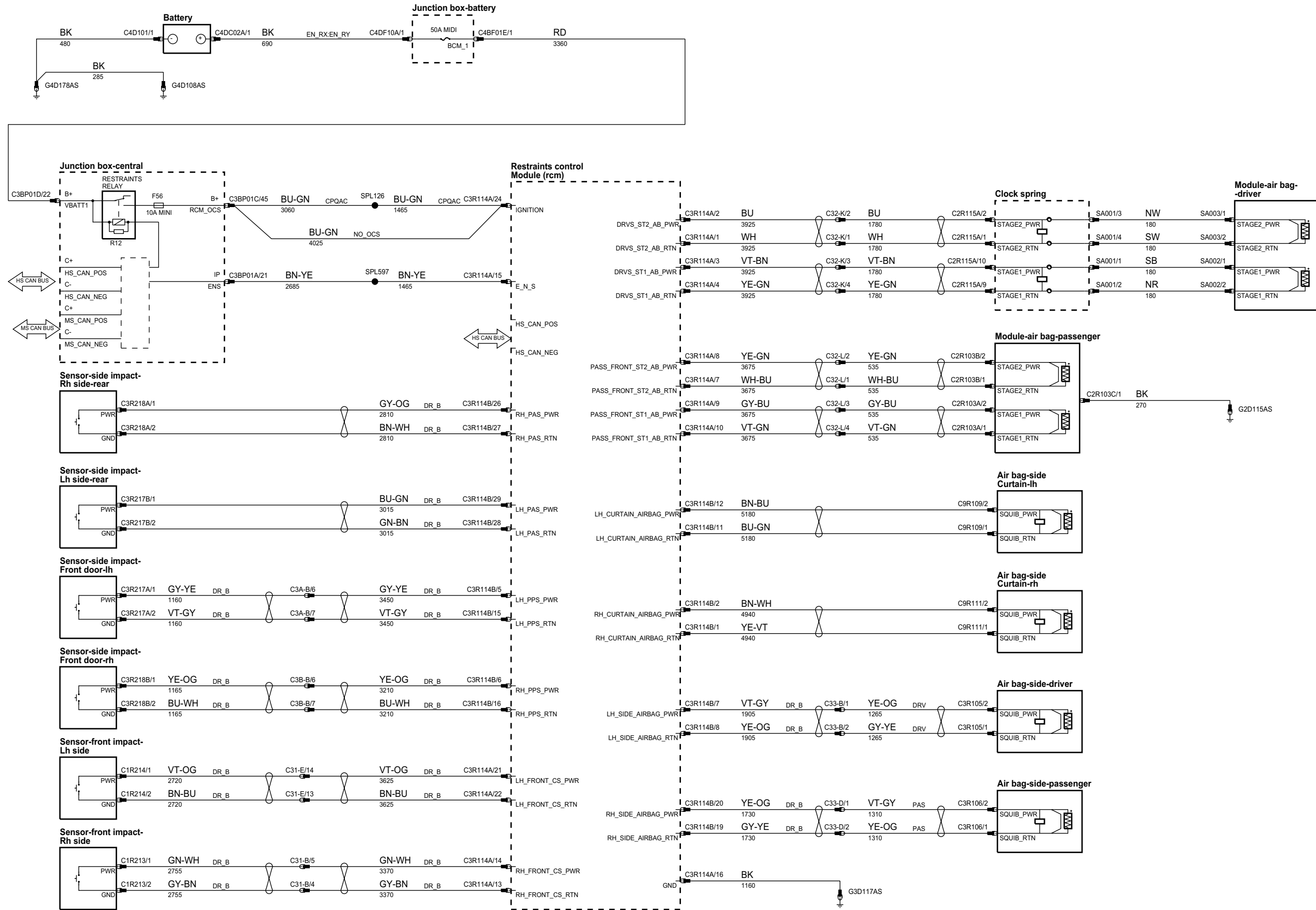
phaw93-70150-e-a6



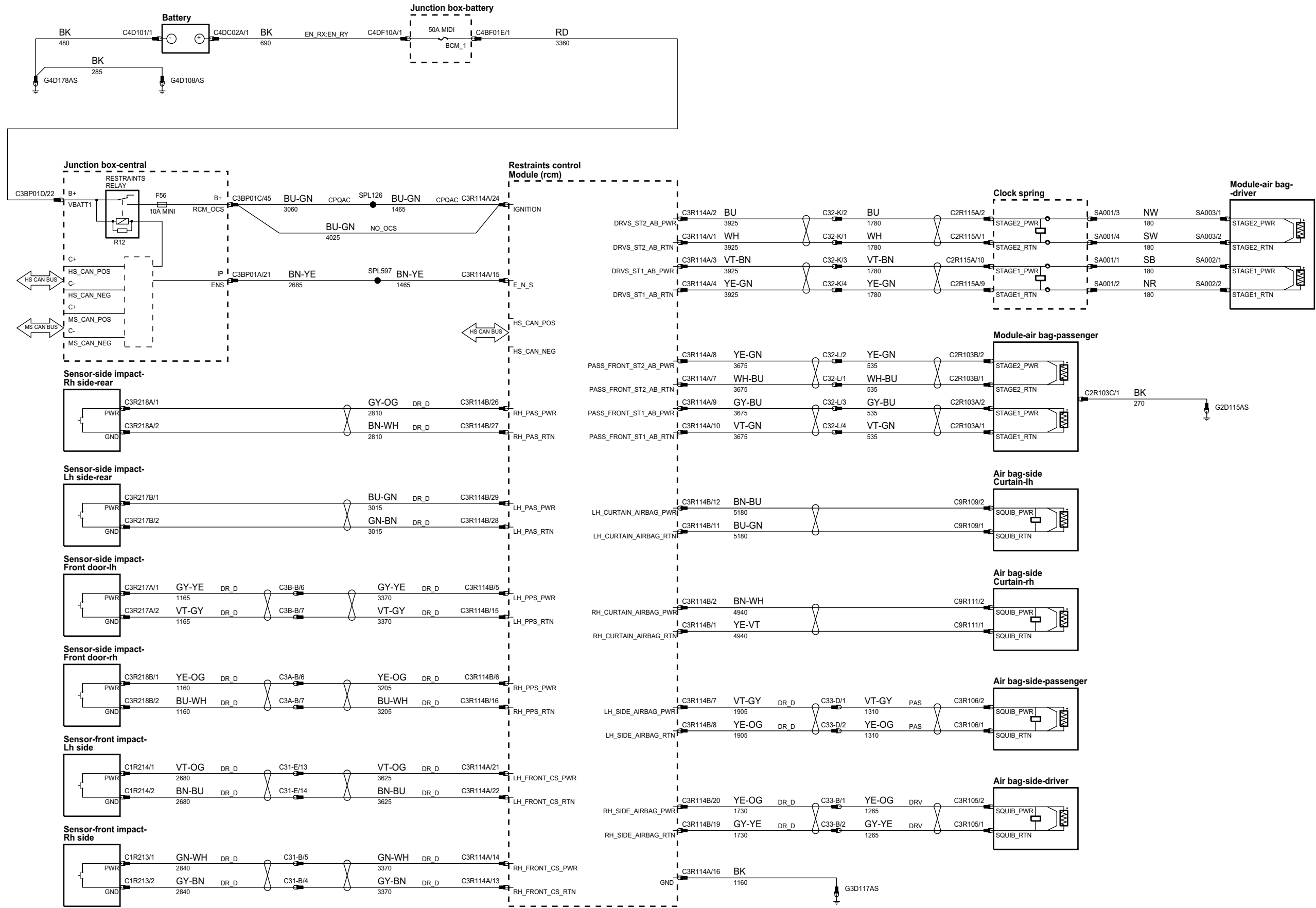
phaw93-70150-d-a6



phaw93-70150-a-a6



phaw93-70150-b-a6



501-20C - PEDESTRIAN PROTECTION SYSTEM

phaw93-70150-f-a6

