



Electrical Guide

X-TYPE

Sedan and Estate (Wagon)

2.0 L, 2.5 L and 3.0 L Gasoline;

2.0 L and 2.2 L, Diesel

VIN: E19616 on



BY APPOINTMENT TO
HER MAJESTY QUEEN ELIZABETH II
MANUFACTURERS OF DAIMLER AND JAGUAR CARS
JAGUAR CARS LIMITED COVENTRY



BY APPOINTMENT TO
HER MAJESTY QUEEN ELIZABETH
THE QUEEN MOTHER
MANUFACTURERS OF DAIMLER AND JAGUAR CARS
JAGUAR CARS LIMITED COVENTRY



BY APPOINTMENT TO
HIS ROYAL HIGHNESS THE PRINCE OF WALES
MANUFACTURERS OF DAIMLER AND JAGUAR CARS
JAGUAR CARS LIMITED COVENTRY

Electrical Guide

X-TYPE

Sedan and Estate (Wagon)

2.0 L, 2.5 L and 3.0 L Gasoline;

2.0 L and 2.2 L, Diesel

VIN: E19616 on

Published by Technical Communications, **Jaguar Cars Limited**

Publication Part Number JJM 10 38 20 701, January 2007

Preface

X-TYPE - VIN: E19616 on

While every effort is made to ensure accuracy, design changes to the vehicle may be made in the period between the completion of this publication and the introduction of vehicles.

All rights reserved. No part of this publication may be reproduced, stored in a retrieval system or transmitted, in any form: electronic, mechanical, including photocopying, recording or other means without prior written permission from the Service Division of Jaguar Cars Limited.

Table of Contents: Figures	2
Abbreviations and Acronyms	5
Introduction	6
User Instructions	7
Symbols and Codes	9
Network Configuration	13
Relay and Fuse Location	14
Fusebox Connectors	16
Major Harnesses and Fusebox Location	17
Harness In-Line Connector Location	19
Ground Point Location	22
Control Module Location	23
Control Module Pin Identification	25
Electrical Guide Figures and Data	follows after page 32 (pages are numbered by Figure number)
Component Index	follows Electrical Guide Figures and Data

FIGURES

Fig.	Description	Variant
01 Power Distribution		
Fig. 01.1	Main Power Distribution	All Vehicles
Fig. 01.2	Battery Power Distribution: Part 1	All Vehicles
Fig. 01.3	Battery Power Distribution: Part 2	All Vehicles
Fig. 01.4	Ignition Switched Power Distribution: I (Accessory)	All Vehicles
Fig. 01.5	Ignition Switched Power Distribution: II (Run) – Part 1	All Vehicles
Fig. 01.6	Ignition Switched Power Distribution: II (Run) – Part 2	All Vehicles
Fig. 01.7	Ignition Switched Power Distribution: Battery Saver	All Vehicles
Fig. 01.8	EMS Switched Power Distribution: Gasoline Engines	Gasoline Engine Vehicles
Fig. 01.9	EMS Switched Power Distribution: Diesel Engines	Diesel Engine Vehicles
02 Battery; Starter; Generator		
Fig. 02.1	Battery; Starter; Generator: 2.5 L & 3.0 L	2.5 L & 3.0 L Vehicles
Fig. 02.2	Battery; Starter; Generator: 2.0 L	2.0 L Gasoline Engine Vehicles
Fig. 02.3	Battery; Starter; Generator: Diesel	Diesel Engine Vehicles
03 Engine Management		
Fig. 03.1	Engine Management: 2.5 L & 3.0 L – Part 1	2.5 L & 3.0 L Vehicles
Fig. 03.2	Engine Management: 2.5 L & 3.0 L – Part 2	2.5 L & 3.0 L Vehicles
Fig. 03.3	Engine Management: 2.0 L – Part 1	2.0 L Gasoline Engine Vehicles
Fig. 03.4	Engine Management: 2.0 L – Part 2	2.0 L Gasoline Engine Vehicles
Fig. 03.5	Engine Management: Diesel – Part 1	Diesel Engine Vehicles
Fig. 03.6	Engine Management: Diesel – Part 2	Diesel Engine Vehicles
04 Transmission		
Fig. 04.1	Automatic Transmission: 16-Bit TCM	16-Bit TCM Vehicles
Fig. 04.2	Automatic Transmission: 32-Bit TCM	32-Bit TCM Vehicles
05 Braking		
Fig. 05.1	Anti-Lock Braking	ABS Vehicles
Fig. 05.2	Anti-Lock Braking / Traction Control	ABS / TC Vehicles
Fig. 05.3	Dynamic Stability Control	DSC Vehicles
06 Climate Control		
Fig. 06.1	Manual Climate Control	Manual Climate Control Vehicles
Fig. 06.2	Automatic Climate Control	Automatic Climate Control Vehicles
Fig. 06.3	Glass Heaters	All Vehicles
07 Instrumentation		
Fig. 07.1	Instrument Cluster	All Vehicles
Fig. 07.2	Audible Warnings	All Vehicles

FIGURES

Fig.	Description	Variant
08 Exterior Lighting		
Fig. 08.1	Exterior Lighting: Front – Auto Headlamps	Auto Headlamp Vehicles
Fig. 08.2	Exterior Lighting: Front – Non Autolamps; Daytime Running Lamps	Non Autolamp Vehicles; Daytime Running Lamp Vehicles
Fig. 08.3	Exterior Lighting: Rear – Sedan	Sedan Vehicles
Fig. 08.4	Exterior Lighting: Rear – Estate (Wagon)	Estate (Wagon) Vehicles
Fig. 08.5	Exterior Lighting: Rear – Sedan European Trailer Towing	Euro. Sedan Trailer Towing Vehicles
Fig. 08.6	Exterior Lighting: Rear – Sedan U.K. Trailer Towing.	U.K. Sedan Trailer Towing Vehicles
Fig. 08.7	Exterior Lighting: Rear – Sedan NAS Trailer Towing	NAS Sedan Trailer Towing Vehicles
Fig. 08.8	Exterior Lighting: Rear – Estate (Wagon) European Trailer Towing	Euro. Estate (Wagon) Trailer Towing Vehicles
Fig. 08.9	Exterior Lighting: Rear – Estate (Wagon) U.K. Trailer Towing	U.K. Estate (Wagon) Trailer Towing Vehicles
Fig. 08.10	Headlamp Leveling (H/L).	H/L & HID Headlamp Vehicles
09 Interior Lighting		
Fig. 09.1	Interior Lighting	All Vehicles
Fig. 09.2	Dimmer-Controlled Lighting.	All Vehicles
10 Door Mirrors		
Fig. 10.1	Door Mirrors: Movement; Fold-back – Non Memory	Non Memory Vehicles
Fig. 10.2	Door Mirrors: Movement; Fold-back – Memory	Memory Vehicles
11 Seat Systems		
Fig. 11.1	Powered Seat: Driver – Memory	Memory Vehicles
Fig. 11.2	Powered Seat: Passenger – Memory	Memory Vehicles
Fig. 11.3	Powered Seats: 8-way Movement.	8-way Powered Seat Vehicles
Fig. 11.4	Powered Seats: 4-way Movement.	4-way Powered Seat Vehicles
Fig. 11.5	Powered Seats: 2-way Movement.	2-way Powered Seat Vehicles
Fig. 11.6	Seat Heaters: Memory.	Memory Vehicles
Fig. 11.7	Seat Heaters: Non Memory.	Heated Seat Vehicles
12 Door Locking; Security		
Fig. 12.1	Central Door Locking: Sedan – Double Locking	Double Locking Sedan Vehicles
Fig. 12.2	Central Door Locking: Sedan – Non Double Locking	Non Double Locking Sedan Vehicles
Fig. 12.3	Central Door Locking: Estate (Wagon)	Estate (Wagon) Vehicles
Fig. 12.4	Security: Sedan	Sedan Vehicles
Fig. 12.5	Security: Estate (Wagon).	Estate (Wagon) Vehicles
13 Wash / Wipe		
Fig. 13.1	Wash / Wipe: Front	Non Rain Sensing Vehicles
Fig. 13.2	Wash / Wipe: Front with Rain Sensing	Rain Sensing Vehicles
Fig. 13.3	Wash / Wipe: Rear	Estate (Wagon) Vehicles
14 Powered Windows; Sliding Roof		
Fig. 14.1	Powered Windows.	All Vehicles
Fig. 14.2	Sliding Roof.	Sliding Roof Vehicles
15 In-Car Entertainment		
Fig. 15.1	In-Car Entertainment: Standard.	Standard ICE Vehicles
Fig. 15.2	In-Car Entertainment: Premium.	Premium ICE Vehicles

FIGURES

Fig.	Description	Variant
16 Telematics		
Fig. 16.1	Telephone	ROW Vehicles
Fig. 16.2	Telephone with Voice Control	ROW Voice Vehicles
Fig. 16.3	Voice Control System	NAS Voice Vehicles
Fig. 16.4	Navigation System.	NAV Vehicles (except Japan)
Fig. 16.5	Navigation System: Japan.	Japan Vehicles
17 Occupant Protection		
Fig. 17.1	Advanced Restraint System: Front Wheel Drive	Front Wheel Drive Vehicles
Fig. 17.2	Advanced Restraint System: All Wheel Drive	All Wheel Drive Vehicles
18 Driver Assist		
Fig. 18.1	Parking Aid	Parking Aid Vehicles
19 Ancillaries		
Fig. 19.1	Ancillaries	All Vehicles
20 Vehicle Multiplex Systems		
Fig. 20.1	Controller Area Network: LHD	LHD Vehicles
Fig. 20.2	Controller Area Network: RHD.	RHD Vehicles
Fig. 20.3	Standard Corporate Protocol Network; Serial Data Link	All Vehicles
Fig. 20.4	D2B Network	All Vehicles

The following abbreviations and acronyms are used throughout this Electrical Guide:

2.0 L	2.0 L V6 Vehicles
2.5 L, 3.0 L	2.5 L and 3.0 L V6 Vehicles
A/C	Air Conditioning
APP SENSOR	Accelerator Pedal Position Sensor
APP1	Accelerator Pedal Position Sensor Element 1
APP2	Accelerator Pedal Position Sensor Element 2
APP3	Accelerator Pedal Position Sensor Element 3
AWD	All Wheel Drive
B+	Battery Voltage
BANK 1	RH Cylinder Bank (Cylinders 1, 3, 5)
BANK 2	LH Cylinder Bank (Cylinders 2, 4, 6)
CAN	Controller Area Network
CHT SENSOR	Cylinder Head Temperature Sensor
CKP SENSOR	Crankshaft Position Sensor
CMP SENSOR / 1	Camshaft Position Sensor / RH Bank
CMP SENSOR / 2	Camshaft Position Sensor / LH Bank
D2B	D2B Network
DIESEL	2.0 L and 2.2 L Diesel Vehicles
ECT SENSOR	Engine Coolant Temperature Sensor
EFT SENSOR	Engine Fuel Temperature Sensor
EGR VALVE	Exhaust Gas Recirculation Valve
EGT SENSOR	Exhaust Gas Temperature Sensor
EMS	Engine Management System
EOT SENSOR	Engine Oil Temperature Sensor
EST / WAG	Estate / Wagon Vehicles
EVAP CANISTER CLOSE VALVE	Evaporative Emission Canister Close Valve
EVAP CANISTER PURGE VALVE	Evaporative Emission Canister Purge Valve
FTP SENSOR	Fuel Tank Pressure Sensor
FWD	Front Wheel Drive
GPS	Global Positioning System
HID	High Intensity Discharge
HO2 SENSOR 1 / 1	Heated Oxygen Sensor – RH Bank / Upstream
HO2 SENSOR 1 / 2	Heated Oxygen Sensor – RH Bank / Downstream
HO2 SENSOR 2 / 1	Heated Oxygen Sensor – LH Bank / Upstream
HO2 SENSOR 2 / 2	Heated Oxygen Sensor – LH Bank / Downstream
IAT SENSOR	Intake Air Temperature Sensor
ICE	In-Car Entertainment System
IMT SOLENOID VALVE / 1	Intake Manifold Tuning Valve / Bottom
IMT SOLENOID VALVE / 2	Intake Manifold Tuning Valve / Top
IP SENSOR	Injection Pressure Sensor
KS	Knock Sensor
LH	Left-Hand
LHD	Left-Hand Drive
MAF SENSOR	Mass Air Flow Sensor
MAP SENSOR	Manifold Absolute Pressure Sensor
N/A	Normally Aspirated
NAS	North American Specification
PATS	Passive Anti-Theft System
PWM	Pulse Width Modulated
RH	Right-Hand
RHD	Right-Hand Drive
ROW	Rest of World
SCP	Standard Corporate Protocol Network
SEDAN	Sedan Vehicles
T-MAP SENSOR	Temperature Manifold Absolute Pressure Sensor
TP SENSOR	Throttle Position Sensor
TP1	Throttle Position Sensor Element 1
TP2	Throttle Position Sensor Element 2
TURN	Turn Signal
TV	Television
V6	V6 Engine
VVT SOLENOID VALVE / 1	Variable Valve Timing Valve / Bank 1
VVT SOLENOID VALVE / 2	Variable Valve Timing Valve / Bank 2
+ve	Positive
-ve	Negative

Electrical Guide Format

This Electrical Guide is made up of two major sections:

- the first section, at the front of the book, provides general information for and about the use of the book; model-specific information and illustrations to aid in the understanding of the Jaguar X-TYPE electrical / electronic systems, as well as the location and identification of components.
- the second section includes the Figures, which are the basis of the book. Each Figure is identified by a Figure Number (e.g. Fig. 01.1) and Title. The page adjacent to the Figure contains data information specific to that Figure.

NOTE: Data pages are not available for inclusion in Provisional versions of the Electrical Guide.

It is recommended that the user read through the front section of the book to develop a familiarity with the layout of the book and with the system of symbols and abbreviations used. The **Table of Contents** should help to guide the user.

Vehicle Identification Numbers (VIN)

VIN ranges are presented throughout the book in the following manner:

› VIN 123456 indicates 'up to VIN 123456'; VIN 123456 › indicates 'from VIN 123456 on'.

Electrical System Architecture

Power Supplies

The electrical system is a supply-side switched system. The ignition switch directly carries much of the ignition switched power supply load.

Power supply is provided via three methods:

- Direct battery power supply;
- Ignition switched power supply;
- 'Battery Saver Power Supply'.

The 'Battery Saver Power Supply' circuit is controlled via the GEM (General Electronic Module). Refer to Fig. 01.7 for circuit activation details.

Fuseboxes

The electrical harness incorporates two serviceable power distribution fuseboxes:

- the Power Distribution Fusebox located in the engine compartment;
- the Passenger Junction Fusebox located in the left-hand 'A' Post

All fuses and relays (except the trailer towing accessory kit and two Diesel vehicle relays) are located in the two fuseboxes.

Vehicle Networks

The X-TYPE employs three different networks:

- CAN (Controller Area Network) for high-speed power train communications;
- SCP (Standard Corporate Protocol) network for slower speed body systems communications;
- D2B (Optical) Network for very high-speed 'real-time' audio data transfer.

NOTE: The D2B Network is a fiber optic network with a gateway to the remaining vehicle networks via the Audio Unit. Technician access to the three networks and the Serial Data Link is via the Data Link Connector.

Ground Studs

Circuit ground connections are made at body studs located throughout the vehicle. There are no separate power and logic grounding systems; however, there are a certain number of components that use unique ground points.

Figure and Data Page Layout

Figure Pages

Each Figure represents a specific electrical system of the vehicle. The Figures are arranged numerically by system (**01 – Power Distribution, 02 – Battery; Starter; Generator**, etc.) with variations in the system identified by a numeral following a decimal point (**01.1, 01.2**, etc.). Refer to the **Table of Contents: Figures** for a complete list of the Figures.

The Figures **01 – Power Distribution** detail the distribution of power to each of the systems. Numbered reference symbols refer the user to a specific Figure and from a specific Figure back to the Power Distribution Figures. This method eliminates the need to include detailed Power Distribution information on each of the Figures. The reference symbols are defined on page 9.

Each Figure appears on a right-hand page with a corresponding Data page to the left. The Figure and Data pages are folding pages. The user must fold out both pages in order to access all the information provided.

Data Pages

The Data page includes information to assist the user in identifying and locating components, connectors and grounds. This information is supplemented by the illustrations in this front section of the book.

Most circuits that incorporate a control module include pin-out information. The characteristics listed are approximately those that can be expected at the control module connector pins with all circuit connections made and all components connected and fitted. This information is provided to assist the user in understanding circuit operation and should be used **FOR REFERENCE ONLY**.

CONTROL MODULE PIN OUT INFORMATION

FIGURE NUMBER

COMPONENT, CONNECTOR AND GROUND INFORMATION

Engine Control Module		
Pin	Description and Characteristic	
I	PG16	IGNITION ON (B)
I	PG17	AUTOMATIC PARK NEUTRAL SIGNAL (B) WHEN ACTIVATED
I	PG18	IGNITION ON (B) NEUTRAL SIGNAL (B) WHEN ACTIVATED
I	PG19	IGNITION ON (B) NEUTRAL SIGNAL (B) WHEN ACTIVATED
O	PG20	IGNITION ON (B) NEUTRAL SIGNAL (B) WHEN ACTIVATED
I	PG21	IGNITION ON (B) NEUTRAL SIGNAL (B) WHEN ACTIVATED
I	PG22	IGNITION ON (B) NEUTRAL SIGNAL (B) WHEN ACTIVATED
I	PG23	IGNITION ON (B) NEUTRAL SIGNAL (B) WHEN ACTIVATED
I	PG24	IGNITION ON (B) NEUTRAL SIGNAL (B) WHEN ACTIVATED
I	PG25	IGNITION ON (B) NEUTRAL SIGNAL (B) WHEN ACTIVATED
I	PG26	IGNITION ON (B) NEUTRAL SIGNAL (B) WHEN ACTIVATED
I	PG27	IGNITION ON (B) NEUTRAL SIGNAL (B) WHEN ACTIVATED
I	PG28	IGNITION ON (B) NEUTRAL SIGNAL (B) WHEN ACTIVATED
I	PG29	IGNITION ON (B) NEUTRAL SIGNAL (B) WHEN ACTIVATED
I	PG30	IGNITION ON (B) NEUTRAL SIGNAL (B) WHEN ACTIVATED
I	PG31	IGNITION ON (B) NEUTRAL SIGNAL (B) WHEN ACTIVATED
I	PG32	IGNITION ON (B) NEUTRAL SIGNAL (B) WHEN ACTIVATED
I	PG33	IGNITION ON (B) NEUTRAL SIGNAL (B) WHEN ACTIVATED
I	PG34	IGNITION ON (B) NEUTRAL SIGNAL (B) WHEN ACTIVATED
I	PG35	IGNITION ON (B) NEUTRAL SIGNAL (B) WHEN ACTIVATED
I	PG36	IGNITION ON (B) NEUTRAL SIGNAL (B) WHEN ACTIVATED
I	PG37	IGNITION ON (B) NEUTRAL SIGNAL (B) WHEN ACTIVATED
I	PG38	IGNITION ON (B) NEUTRAL SIGNAL (B) WHEN ACTIVATED
I	PG39	IGNITION ON (B) NEUTRAL SIGNAL (B) WHEN ACTIVATED
I	PG40	IGNITION ON (B) NEUTRAL SIGNAL (B) WHEN ACTIVATED
I	PG41	IGNITION ON (B) NEUTRAL SIGNAL (B) WHEN ACTIVATED
I	PG42	IGNITION ON (B) NEUTRAL SIGNAL (B) WHEN ACTIVATED
I	PG43	IGNITION ON (B) NEUTRAL SIGNAL (B) WHEN ACTIVATED
I	PG44	IGNITION ON (B) NEUTRAL SIGNAL (B) WHEN ACTIVATED
I	PG45	IGNITION ON (B) NEUTRAL SIGNAL (B) WHEN ACTIVATED
I	PG46	IGNITION ON (B) NEUTRAL SIGNAL (B) WHEN ACTIVATED
I	PG47	IGNITION ON (B) NEUTRAL SIGNAL (B) WHEN ACTIVATED
I	PG48	IGNITION ON (B) NEUTRAL SIGNAL (B) WHEN ACTIVATED
I	PG49	IGNITION ON (B) NEUTRAL SIGNAL (B) WHEN ACTIVATED
I	PG50	IGNITION ON (B) NEUTRAL SIGNAL (B) WHEN ACTIVATED
I	PG51	IGNITION ON (B) NEUTRAL SIGNAL (B) WHEN ACTIVATED
I	PG52	IGNITION ON (B) NEUTRAL SIGNAL (B) WHEN ACTIVATED
I	PG53	IGNITION ON (B) NEUTRAL SIGNAL (B) WHEN ACTIVATED
I	PG54	IGNITION ON (B) NEUTRAL SIGNAL (B) WHEN ACTIVATED
I	PG55	IGNITION ON (B) NEUTRAL SIGNAL (B) WHEN ACTIVATED
I	PG56	IGNITION ON (B) NEUTRAL SIGNAL (B) WHEN ACTIVATED
I	PG57	IGNITION ON (B) NEUTRAL SIGNAL (B) WHEN ACTIVATED
I	PG58	IGNITION ON (B) NEUTRAL SIGNAL (B) WHEN ACTIVATED
I	PG59	IGNITION ON (B) NEUTRAL SIGNAL (B) WHEN ACTIVATED
I	PG60	IGNITION ON (B) NEUTRAL SIGNAL (B) WHEN ACTIVATED
I	PG61	IGNITION ON (B) NEUTRAL SIGNAL (B) WHEN ACTIVATED
I	PG62	IGNITION ON (B) NEUTRAL SIGNAL (B) WHEN ACTIVATED
I	PG63	IGNITION ON (B) NEUTRAL SIGNAL (B) WHEN ACTIVATED
I	PG64	IGNITION ON (B) NEUTRAL SIGNAL (B) WHEN ACTIVATED
I	PG65	IGNITION ON (B) NEUTRAL SIGNAL (B) WHEN ACTIVATED
I	PG66	IGNITION ON (B) NEUTRAL SIGNAL (B) WHEN ACTIVATED
I	PG67	IGNITION ON (B) NEUTRAL SIGNAL (B) WHEN ACTIVATED
I	PG68	IGNITION ON (B) NEUTRAL SIGNAL (B) WHEN ACTIVATED
I	PG69	IGNITION ON (B) NEUTRAL SIGNAL (B) WHEN ACTIVATED
I	PG70	IGNITION ON (B) NEUTRAL SIGNAL (B) WHEN ACTIVATED
I	PG71	IGNITION ON (B) NEUTRAL SIGNAL (B) WHEN ACTIVATED
I	PG72	IGNITION ON (B) NEUTRAL SIGNAL (B) WHEN ACTIVATED
I	PG73	IGNITION ON (B) NEUTRAL SIGNAL (B) WHEN ACTIVATED
I	PG74	IGNITION ON (B) NEUTRAL SIGNAL (B) WHEN ACTIVATED
I	PG75	IGNITION ON (B) NEUTRAL SIGNAL (B) WHEN ACTIVATED
I	PG76	IGNITION ON (B) NEUTRAL SIGNAL (B) WHEN ACTIVATED
I	PG77	IGNITION ON (B) NEUTRAL SIGNAL (B) WHEN ACTIVATED
I	PG78	IGNITION ON (B) NEUTRAL SIGNAL (B) WHEN ACTIVATED
I	PG79	IGNITION ON (B) NEUTRAL SIGNAL (B) WHEN ACTIVATED
I	PG80	IGNITION ON (B) NEUTRAL SIGNAL (B) WHEN ACTIVATED
I	PG81	IGNITION ON (B) NEUTRAL SIGNAL (B) WHEN ACTIVATED
I	PG82	IGNITION ON (B) NEUTRAL SIGNAL (B) WHEN ACTIVATED
I	PG83	IGNITION ON (B) NEUTRAL SIGNAL (B) WHEN ACTIVATED
I	PG84	IGNITION ON (B) NEUTRAL SIGNAL (B) WHEN ACTIVATED
I	PG85	IGNITION ON (B) NEUTRAL SIGNAL (B) WHEN ACTIVATED
I	PG86	IGNITION ON (B) NEUTRAL SIGNAL (B) WHEN ACTIVATED
I	PG87	IGNITION ON (B) NEUTRAL SIGNAL (B) WHEN ACTIVATED
I	PG88	IGNITION ON (B) NEUTRAL SIGNAL (B) WHEN ACTIVATED
I	PG89	IGNITION ON (B) NEUTRAL SIGNAL (B) WHEN ACTIVATED
I	PG90	IGNITION ON (B) NEUTRAL SIGNAL (B) WHEN ACTIVATED
I	PG91	IGNITION ON (B) NEUTRAL SIGNAL (B) WHEN ACTIVATED
I	PG92	IGNITION ON (B) NEUTRAL SIGNAL (B) WHEN ACTIVATED
I	PG93	IGNITION ON (B) NEUTRAL SIGNAL (B) WHEN ACTIVATED
I	PG94	IGNITION ON (B) NEUTRAL SIGNAL (B) WHEN ACTIVATED
I	PG95	IGNITION ON (B) NEUTRAL SIGNAL (B) WHEN ACTIVATED
I	PG96	IGNITION ON (B) NEUTRAL SIGNAL (B) WHEN ACTIVATED
I	PG97	IGNITION ON (B) NEUTRAL SIGNAL (B) WHEN ACTIVATED
I	PG98	IGNITION ON (B) NEUTRAL SIGNAL (B) WHEN ACTIVATED
I	PG99	IGNITION ON (B) NEUTRAL SIGNAL (B) WHEN ACTIVATED
I	PG100	IGNITION ON (B) NEUTRAL SIGNAL (B) WHEN ACTIVATED

Fig. 2.1

Component	Connector(s)	Connector Description	Location
BATTERY	CA86	2-WAY / BLACK	LUZGAGE COMPARTMENT
CLUTCH PEDAL SAFETY SWITCH	PH1	1-WAY / BLACK	TOP OF CLUTCH FROM BOTTOM SWITCH
ENGINE CONTROL MODULE	---	---	FRONT BULKHEAD, PASSENGER SIDE
FRONT POWER DISTRIBUTION FUSE BOX	---	---	ENGINE COMPARTMENT, RH SIDE
GENERATOR (V6)	PH7	4-WAY / BLACK	ENGINE, RH SIDE, FRONT
IGNITION SWITCH	ST7	27-LEAD	---
INSTRUMENT CLUSTER	FC18	7-WAY / BLACK	STEERING COLUMN COWLING
INSTRUMENT CLUSTER	FC14	26-WAY / GREY	INSTRUMENT PANEL
INSTRUMENT CLUSTER	FC15	26-WAY / BLACK	---
INSTRUMENT CLUSTER	FC16	26-WAY / BLACK	---
INSTRUMENT CLUSTER	FC17	26-WAY / BLACK	---
INSTRUMENT CLUSTER	FC18	26-WAY / BLACK	---
INSTRUMENT CLUSTER	FC19	26-WAY / BLACK	---
INSTRUMENT CLUSTER	FC20	26-WAY / BLACK	---
INSTRUMENT CLUSTER	FC21	26-WAY / BLACK	---
INSTRUMENT CLUSTER	FC22	26-WAY / BLACK	---
INSTRUMENT CLUSTER	FC23	26-WAY / BLACK	---
INSTRUMENT CLUSTER	FC24	26-WAY / BLACK	---
INSTRUMENT CLUSTER	FC25	26-WAY / BLACK	---
INSTRUMENT CLUSTER	FC26	26-WAY / BLACK	---
INSTRUMENT CLUSTER	FC27	26-WAY / BLACK	---
INSTRUMENT CLUSTER	FC28	26-WAY / BLACK	---
INSTRUMENT CLUSTER	FC29	26-WAY / BLACK	---
INSTRUMENT CLUSTER	FC30	26-WAY / BLACK	---
INSTRUMENT CLUSTER	FC31	26-WAY / BLACK	---
INSTRUMENT CLUSTER	FC32	26-WAY / BLACK	---
INSTRUMENT CLUSTER	FC33	26-WAY / BLACK	---
INSTRUMENT CLUSTER	FC34	26-WAY / BLACK	---
INSTRUMENT CLUSTER	FC35	26-WAY / BLACK	---
INSTRUMENT CLUSTER	FC36	26-WAY / BLACK	---
INSTRUMENT CLUSTER	FC37	26-WAY / BLACK	---
INSTRUMENT CLUSTER	FC38	26-WAY / BLACK	---
INSTRUMENT CLUSTER	FC39	26-WAY / BLACK	---
INSTRUMENT CLUSTER	FC40	26-WAY / BLACK	---
INSTRUMENT CLUSTER	FC41	26-WAY / BLACK	---
INSTRUMENT CLUSTER	FC42	26-WAY / BLACK	---
INSTRUMENT CLUSTER	FC43	26-WAY / BLACK	---
INSTRUMENT CLUSTER	FC44	26-WAY / BLACK	---
INSTRUMENT CLUSTER	FC45	26-WAY / BLACK	---
INSTRUMENT CLUSTER	FC46	26-WAY / BLACK	---
INSTRUMENT CLUSTER	FC47	26-WAY / BLACK	---
INSTRUMENT CLUSTER	FC48	26-WAY / BLACK	---
INSTRUMENT CLUSTER	FC49	26-WAY / BLACK	---
INSTRUMENT CLUSTER	FC50	26-WAY / BLACK	---
INSTRUMENT CLUSTER	FC51	26-WAY / BLACK	---
INSTRUMENT CLUSTER	FC52	26-WAY / BLACK	---
INSTRUMENT CLUSTER	FC53	26-WAY / BLACK	---
INSTRUMENT CLUSTER	FC54	26-WAY / BLACK	---
INSTRUMENT CLUSTER	FC55	26-WAY / BLACK	---
INSTRUMENT CLUSTER	FC56	26-WAY / BLACK	---
INSTRUMENT CLUSTER	FC57	26-WAY / BLACK	---
INSTRUMENT CLUSTER	FC58	26-WAY / BLACK	---
INSTRUMENT CLUSTER	FC59	26-WAY / BLACK	---
INSTRUMENT CLUSTER	FC60	26-WAY / BLACK	---
INSTRUMENT CLUSTER	FC61	26-WAY / BLACK	---
INSTRUMENT CLUSTER	FC62	26-WAY / BLACK	---
INSTRUMENT CLUSTER	FC63	26-WAY / BLACK	---
INSTRUMENT CLUSTER	FC64	26-WAY / BLACK	---
INSTRUMENT CLUSTER	FC65	26-WAY / BLACK	---
INSTRUMENT CLUSTER	FC66	26-WAY / BLACK	---
INSTRUMENT CLUSTER	FC67	26-WAY / BLACK	---
INSTRUMENT CLUSTER	FC68	26-WAY / BLACK	---
INSTRUMENT CLUSTER	FC69	26-WAY / BLACK	---
INSTRUMENT CLUSTER	FC70	26-WAY / BLACK	---
INSTRUMENT CLUSTER	FC71	26-WAY / BLACK	---
INSTRUMENT CLUSTER	FC72	26-WAY / BLACK	---
INSTRUMENT CLUSTER	FC73	26-WAY / BLACK	---
INSTRUMENT CLUSTER	FC74	26-WAY / BLACK	---
INSTRUMENT CLUSTER	FC75	26-WAY / BLACK	---
INSTRUMENT CLUSTER	FC76	26-WAY / BLACK	---
INSTRUMENT CLUSTER	FC77	26-WAY / BLACK	---
INSTRUMENT CLUSTER	FC78	26-WAY / BLACK	---
INSTRUMENT CLUSTER	FC79	26-WAY / BLACK	---
INSTRUMENT CLUSTER	FC80	26-WAY / BLACK	---
INSTRUMENT CLUSTER	FC81	26-WAY / BLACK	---
INSTRUMENT CLUSTER	FC82	26-WAY / BLACK	---
INSTRUMENT CLUSTER	FC83	26-WAY / BLACK	---
INSTRUMENT CLUSTER	FC84	26-WAY / BLACK	---
INSTRUMENT CLUSTER	FC85	26-WAY / BLACK	---
INSTRUMENT CLUSTER	FC86	26-WAY / BLACK	---
INSTRUMENT CLUSTER	FC87	26-WAY / BLACK	---
INSTRUMENT CLUSTER	FC88	26-WAY / BLACK	---
INSTRUMENT CLUSTER	FC89	26-WAY / BLACK	---
INSTRUMENT CLUSTER	FC90	26-WAY / BLACK	---
INSTRUMENT CLUSTER	FC91	26-WAY / BLACK	---
INSTRUMENT CLUSTER	FC92	26-WAY / BLACK	---
INSTRUMENT CLUSTER	FC93	26-WAY / BLACK	---
INSTRUMENT CLUSTER	FC94	26-WAY / BLACK	---
INSTRUMENT CLUSTER	FC95	26-WAY / BLACK	---
INSTRUMENT CLUSTER	FC96	26-WAY / BLACK	---
INSTRUMENT CLUSTER	FC97	26-WAY / BLACK	---
INSTRUMENT CLUSTER	FC98	26-WAY / BLACK	---
INSTRUMENT CLUSTER	FC99	26-WAY / BLACK	---
INSTRUMENT CLUSTER	FC100	26-WAY / BLACK	---

DATA PAGE

The following abbreviations are used to represent values for Control Module Pin-Out data
 I Input PG Power Ground C CAN Network D Serial and Encoded Data
 O Output SS Sensor / Signal Supply V SCP Network V Voltage (DC)
 B+ Battery Voltage SG Sensor / Signal Ground DZ O2B Network PWM Pulse Width Modulated

CAUTION: The information on this data page is furnished to aid the user in understanding circuit operation. THIS INFORMATION SHOULD BE USED FOR REFERENCE ONLY.

NOTE: The values listed are approximately those that can be expected at the control module connector pins with all circuit connections made and all components connected and fitted.

Refer to the front of this book for detailed information and illustrations regarding the location and identification of harnesses, relays, fuses, grounds, control modules and control module pins.

DATE OF ISSUE: February 2004

DATE OF ISSUE

FIGURE MODEL RANGE AND YEAR

TITLE

FIGURE NUMBER

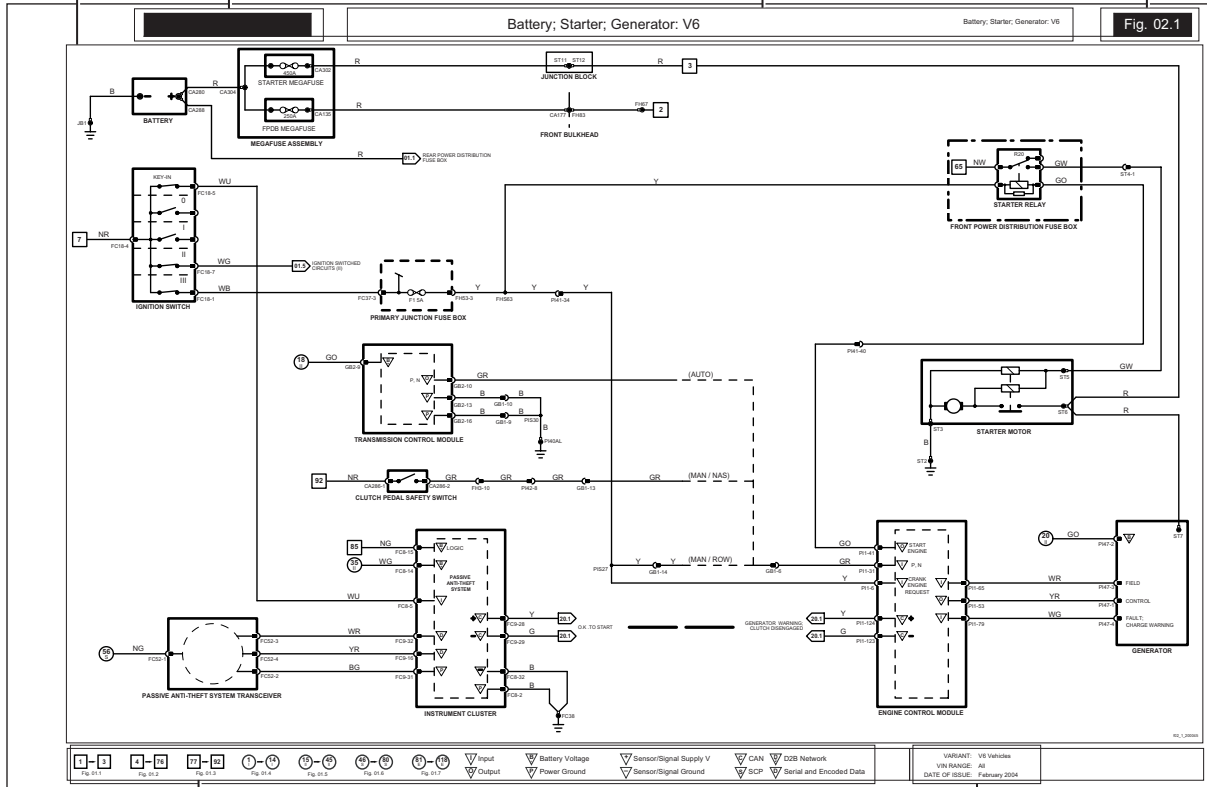


Fig. 02.1










FIGURE PAGE

KEY TO REFERENCE SYMBOLS

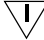









VARIANT, VIN RANGE AND DATE OF ISSUE

NOTE: In the examples on this page, an 'X' is used where a number would appear on an actual Figure.

Reference Symbols

-  Battery power supply
-  Ignition switched auxiliary power supply (key I)
-  Ignition switched power supply (key II, III)
-  Ignition switched Battery Saver power supply
-  Engine Management System power supply
-  Figure number reference
-  Controller Area Network
-  Standard Corporate Protocol network
-  D2B network




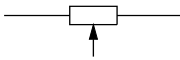
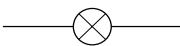

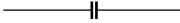

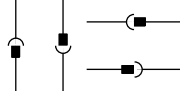



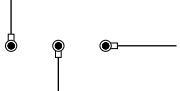
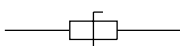
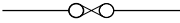

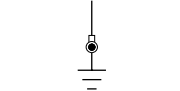
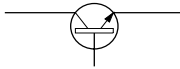




Control Module Pin Symbols

-  Input
-  Output
-  Battery voltage
-  Power ground
-  Sensor / signal supply V *
-  Sensor / signal ground **
-  CAN network
-  SCP network
-  D2B network
-  Serial and encoded data

* May also indicate Reference Voltage.

** May also indicate Reference Ground or Logic Ground.
Refer to Control Module Pin-out Information.

Wiring Symbols

- | | | | |
|----------------------------|---|--|----------------------|
| Splice |  |  | Motor |
| Simplified splice |  |  | Potentiometer |
| Bulb |  |  | Pressure transducer |
| Capacitor |  |  | Resistor |
| Connector |  |  | Solenoid |
| Diode |  |  | Suppression diode |
| Eyelet and stud |  |  | Suppression resistor |
| Fuse |  |  | Thermistor |
| Ground |  |  | Transistor |
| Hall effect sensor |  |  | Wire continued |
| Light emitting diode (LED) |  |  | Zener diode |

Harness Codes

AC	Climate Control
AS	Side Airbag
BH	Engine Block Heaters
BL	LH Rear Door
BR	RH Rear Door
CA	Cabin
DE	Diesel Engine
DL	Diesel Engine Link
EN	Engine
FB	Front Bumper
FL	LH Front Door
FR	RH Front Door
FT	Fuel Tank
GC	Cooling Pack
IJ	Injector Rail
IP	Instrument Panel
JB	Junction Box
LF	LH Front Wheel Speed Sensor
LR	LH Rear Wheel Speed Sensor
LS	LH Front Seat
NA	Navigation System
PA	Pedal Assembly
PH	Telephone
RB	Rear Bumper
RC	Roof Console
RF	RH Front Wheel Speed Sensor
RR	RH Rear Wheel Speed Sensor
RS	RH Front Seat
SL	Security Sounder Link
TL	Trunk Lid
TT	Trailer Towing
TV	Television
WG	Tailgate Glass (Estate / Wagon only)
WL	Tailgate Link (Estate / Wagon only)
WS	Weight Sensor
WT	Tailgate (Estate / Wagon only)

Wiring Color Codes

N	Brown	O	Orange
B	Black	S	Slate
W	White	L	Light
K	Pink	U	Blue
G	Green	P	Purple
R	Red	BRD	Braid
Y	Yellow	BOF	Fiber optic (D2B Network)

Code Numbering

When numbering connectors, grounds and splices, Jaguar Engineering uses a three-position format: AC001, AC002, etc. Because space is limited in this Electrical Guide the codes have, in most cases, been shortened. Thus AC001-001 becomes AC1-1, AC002-001 becomes AC2-1, etc.

Grounds

- There may be up to three eyelets on one ground stud.
- A, B and C are used to indicate the position of the eyelet on the stud: A – first (bottom), B – second (middle), C – third (top).
- Two eyelet variations are used: a single eyelet and an eyelet pair. The single eyelet has a single ‘leg’, which is identified by an S; the eyelet pair has two ‘legs’, identified as L (left) or R (right).

EXAMPLE:



On figures where LHD and RHD circuits are combined and the ground designation differs from LHD to RHD, the RHD ground is shown in parentheses. If the ground designation is the same for LHD and RHD, only one ground designation is used.

EXAMPLE:



Relays

Serviceable Relays:

- are located in both fuseboxes;
- do not have a separate relay connector (base);
- use the ISO pin numbering system – 1, 2, 3, 4, 5;
- are identified by an ‘R’ number unique only to the fusebox in which it is located.

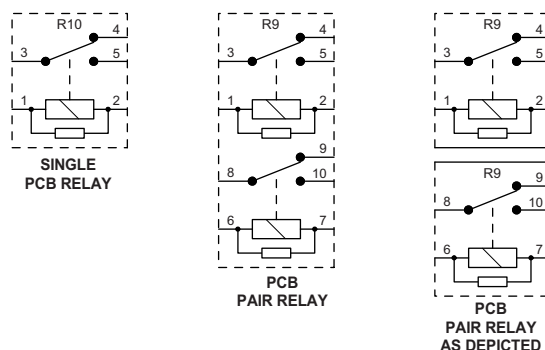
EXAMPLE:



Non-Serviceable Relays:

- are located in both fuseboxes;
- are a component part of the fusebox printed circuit board (PCB) and are arranged in singles or pairs;
- use the ISO pin numbering system – 1, 2, 3, 4, 5 (single relay or top pair relay) and 6, 7, 8, 9, 10 (bottom pair relay);
- are identified by an ‘R’ number unique only to the fusebox in which it is located;
- pair relays are normally depicted separately.

EXAMPLE:

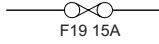


NOTE: Diesel vehicles have one serviceable relay located on the Junction Box harness and one serviceable relay attached to the Power Distribution Fusebox.

Fuses

All fuses are located in the fuseboxes. Each fuse is identified by an 'F' number unique only to the fusebox in which it is located.

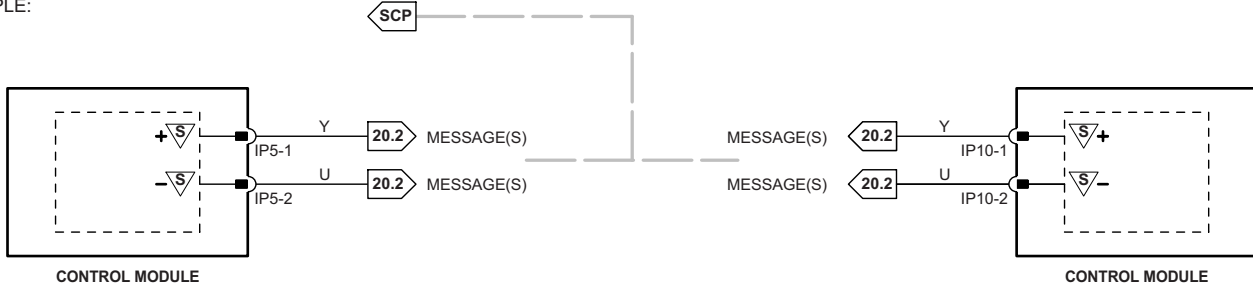
EXAMPLE:



Networks

In most instances, networks are shown as a broken grey line to indicate that there is network communication between the depicted control modules. Refer to Figures 20.1, 20.2, 20.3 and 20.4 for circuit details.

EXAMPLE:



Component Depictions

EXAMPLE:



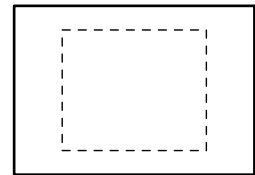
COMPLETE COMPONENTS AND CONTROL MODULES



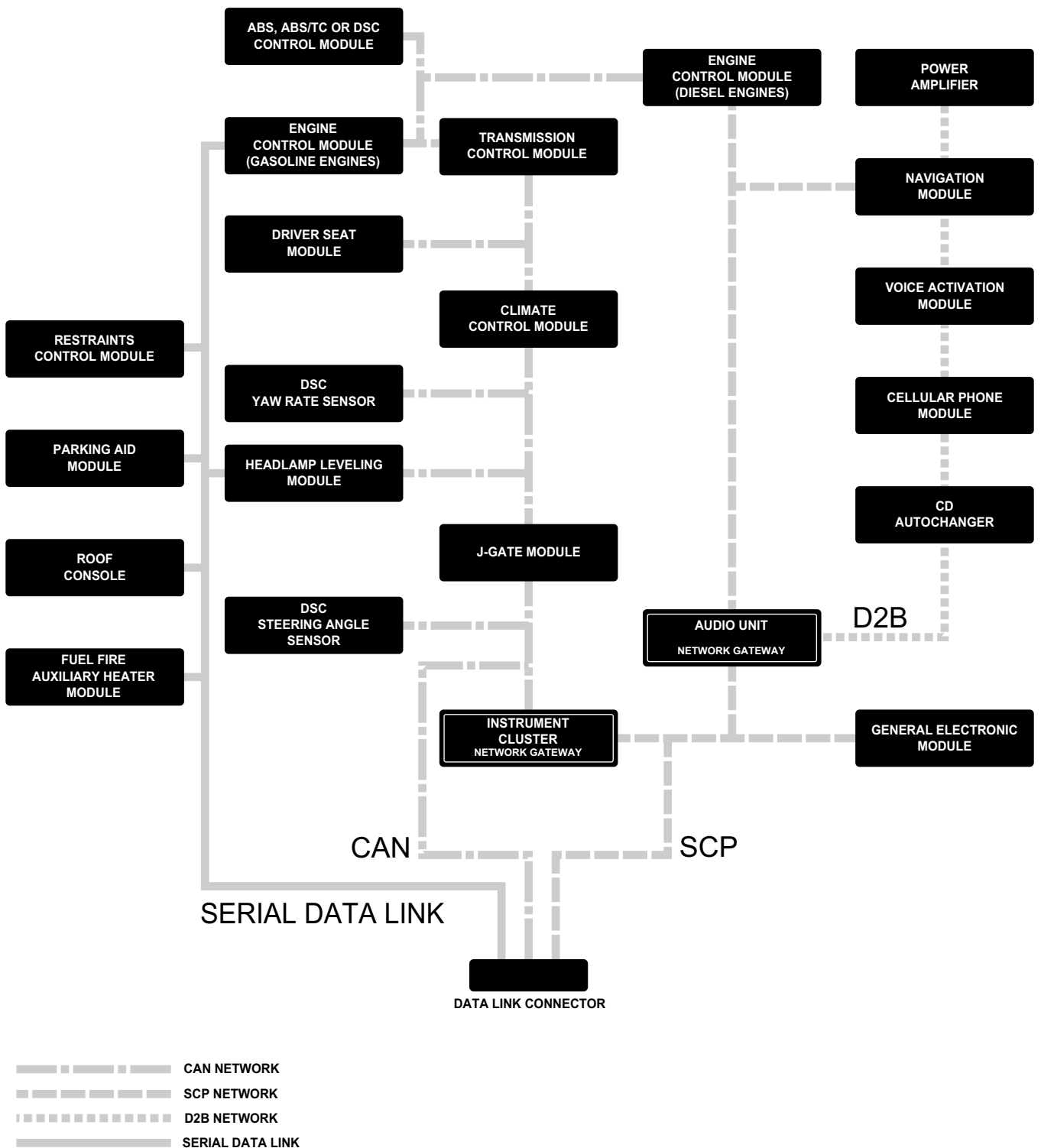
INCOMPLETE COMPONENTS (EXCEPT CONTROL MODULES)



ASSEMBLIES AND POWER DISTRIBUTION FUSE BOXES

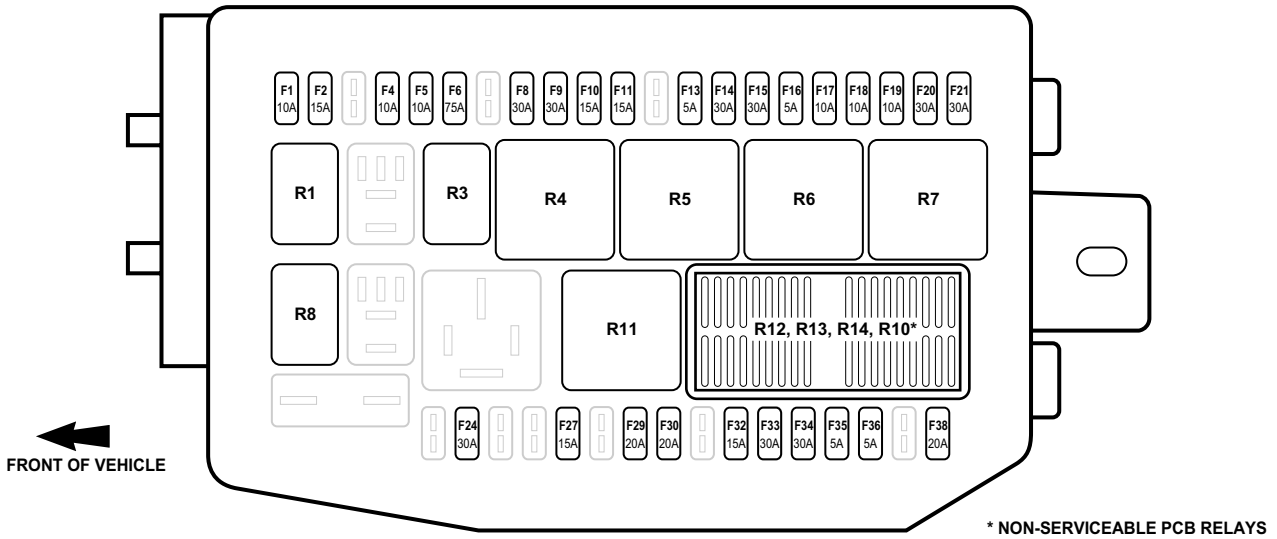


COMPONENTS WITH INTERNAL ELECTRONIC CIRCUIT



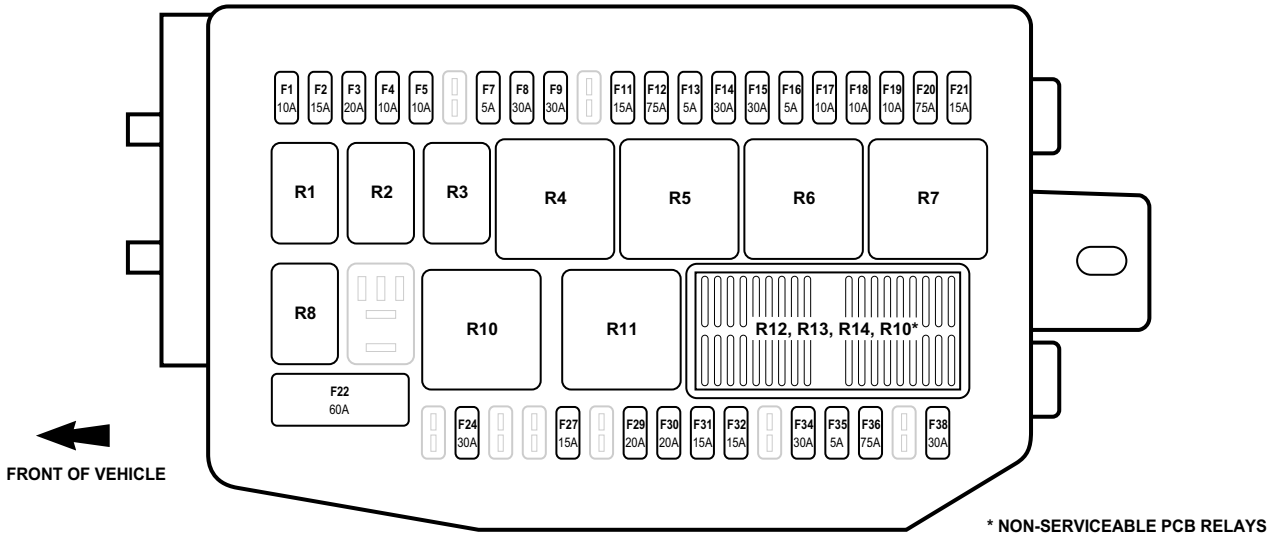
NOTE: TYPICAL NETWORK CONFIGURATION.
REFER TO FIGURES 20.1, 20.2, 20.3 AND 20.4 FOR CIRCUIT DETAILS.

POWER DISTRIBUTION FUSE BOX (TOP): GASOLINE ENGINE VEHICLES



- | | |
|---|--------------------------|
| R1 MAIN BEAM / FRONT FOG RELAY | R9 NOT USED |
| R2 NOT USED | R10 NOT USED |
| R3 A/C COMPRESSOR CLUTCH RELAY | R11 DIP BEAM RELAY |
| R4 WINDSHIELD WIPER MOTOR RELAY | R12 STARTER RELAY |
| R5 POWER DISTRIBUTION FUSE BOX IGNITION RELAY | R13 SLAVE IGNITION RELAY |
| R6 WINDSHIELD HEATER RELAY | R14 NOT USED |
| R7 EMS CONTROL RELAY | R15 HORN RELAY |
| R8 POWERWASH PUMP RELAY | |

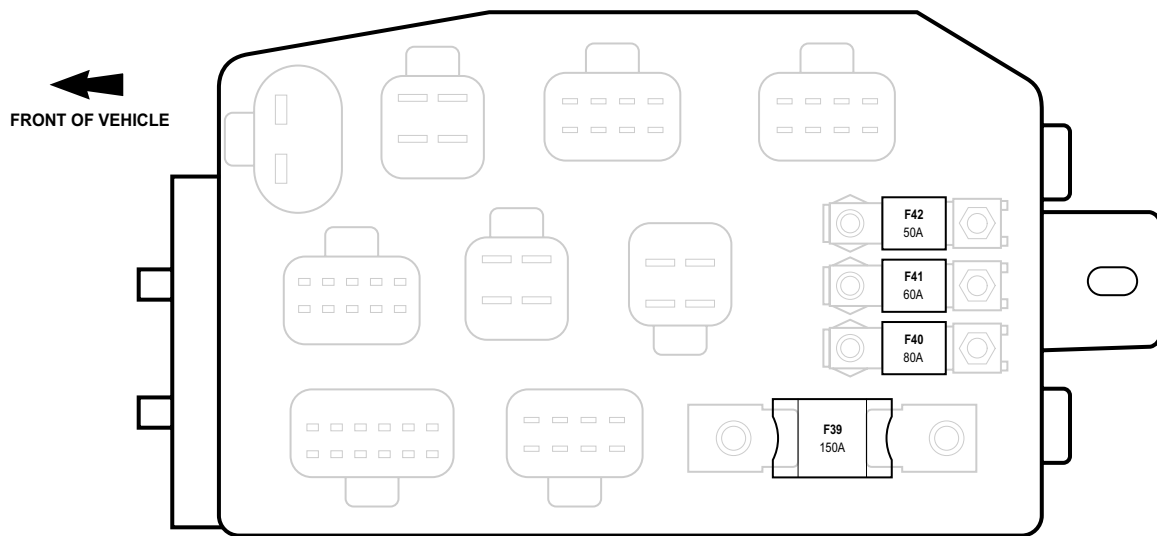
POWER DISTRIBUTION FUSE BOX (TOP): DIESEL ENGINE VEHICLES



- | | |
|---|------------------------------|
| R1 MAIN BEAM / FRONT FOG RELAY | R9 NOT USED |
| R2 HORN RELAY | R10 GLOW PLUG RELAY |
| R3 A/C COMPRESSOR CLUTCH RELAY | R11 DIP BEAM RELAY |
| R4 WINDSHIELD WIPER MOTOR RELAY | R12 STARTER RELAY |
| R5 POWER DISTRIBUTION FUSE BOX IGNITION RELAY | R13 SLAVE IGNITION RELAY |
| R6 WINDSHIELD HEATER RELAY | R14 NOT USED |
| R7 EMS CONTROL RELAY | R15 AUXILIARY HEATER RELAY 1 |
| R8 POWERWASH PUMP RELAY | |

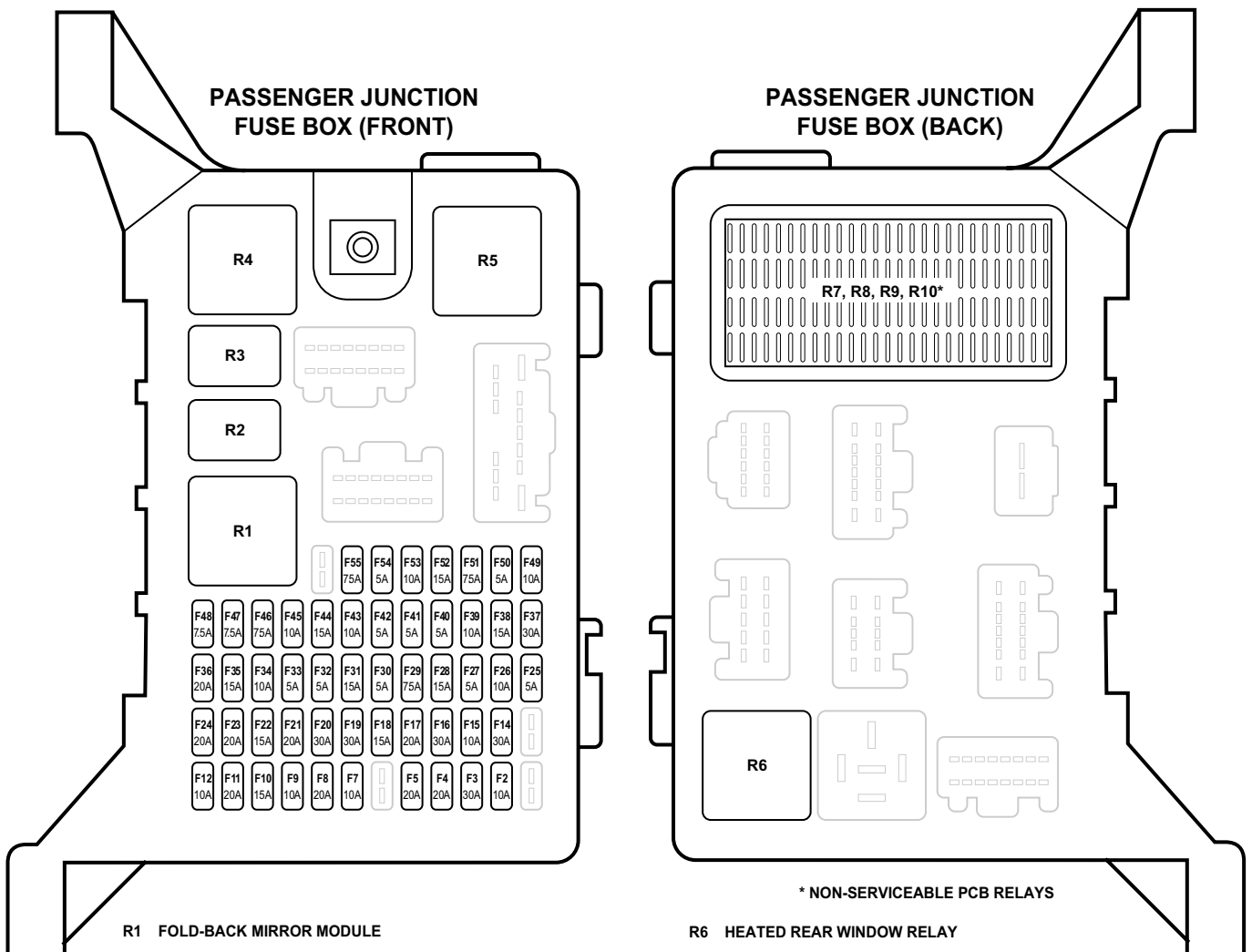
pw_dis_fuse_box_4000625

POWER DISTRIBUTION FUSE BOX (BOTTOM)



PASSENGER JUNCTION FUSE BOX (FRONT)

PASSENGER JUNCTION FUSE BOX (BACK)

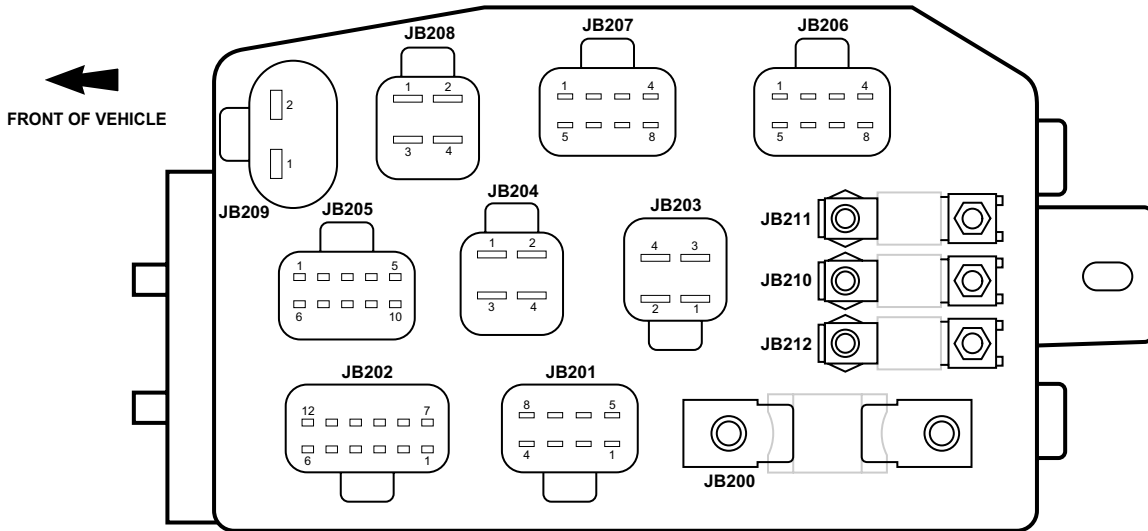


- R1 FOLD-BACK MIRROR MODULE
- R2 ACCESSORY RELAY
- R3 REAR WIPER MOTOR RELAY(ESTATE / WAGON ONLY)
- R4 BLOWER MOTOR RELAY
- R5 PASSENGER JUNCTION FUSE BOX IGNITION RELAY

- * NON-SERVICEABLE PCB RELAYS**
- R6 HEATED REAR WINDOW RELAY
 - R7 THROTTLE MOTOR RELAY (2.5 L, 3.0 L)
FUEL PUMP RELAY (2.0 L)
 - R8 NOT USED
 - R9 REVERSE LAMPS RELAY
 - R10 BATTERY SAVER RELAY

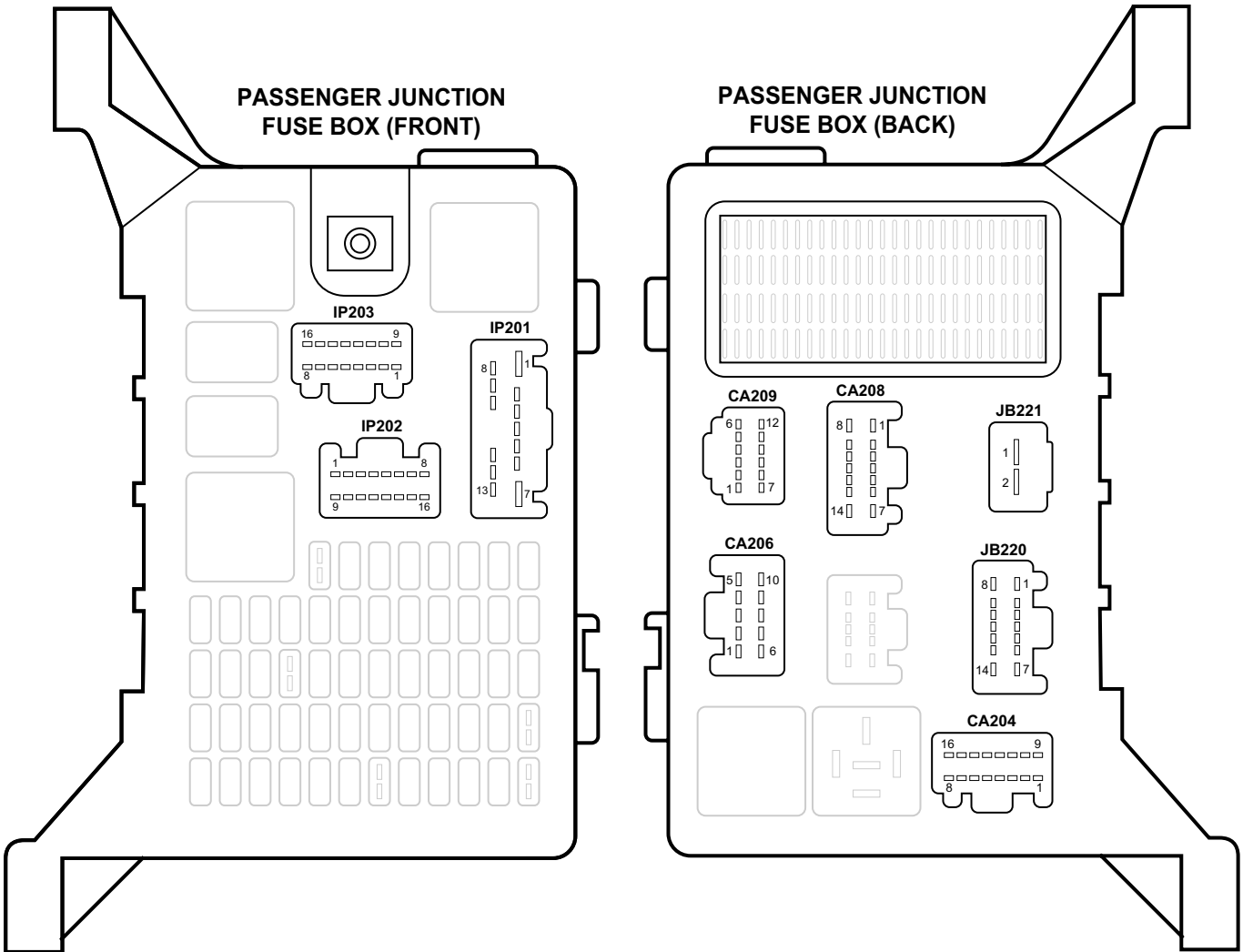
pw_dis_fuse_bot_4000625

POWER DISTRIBUTION FUSE BOX (BOTTOM)



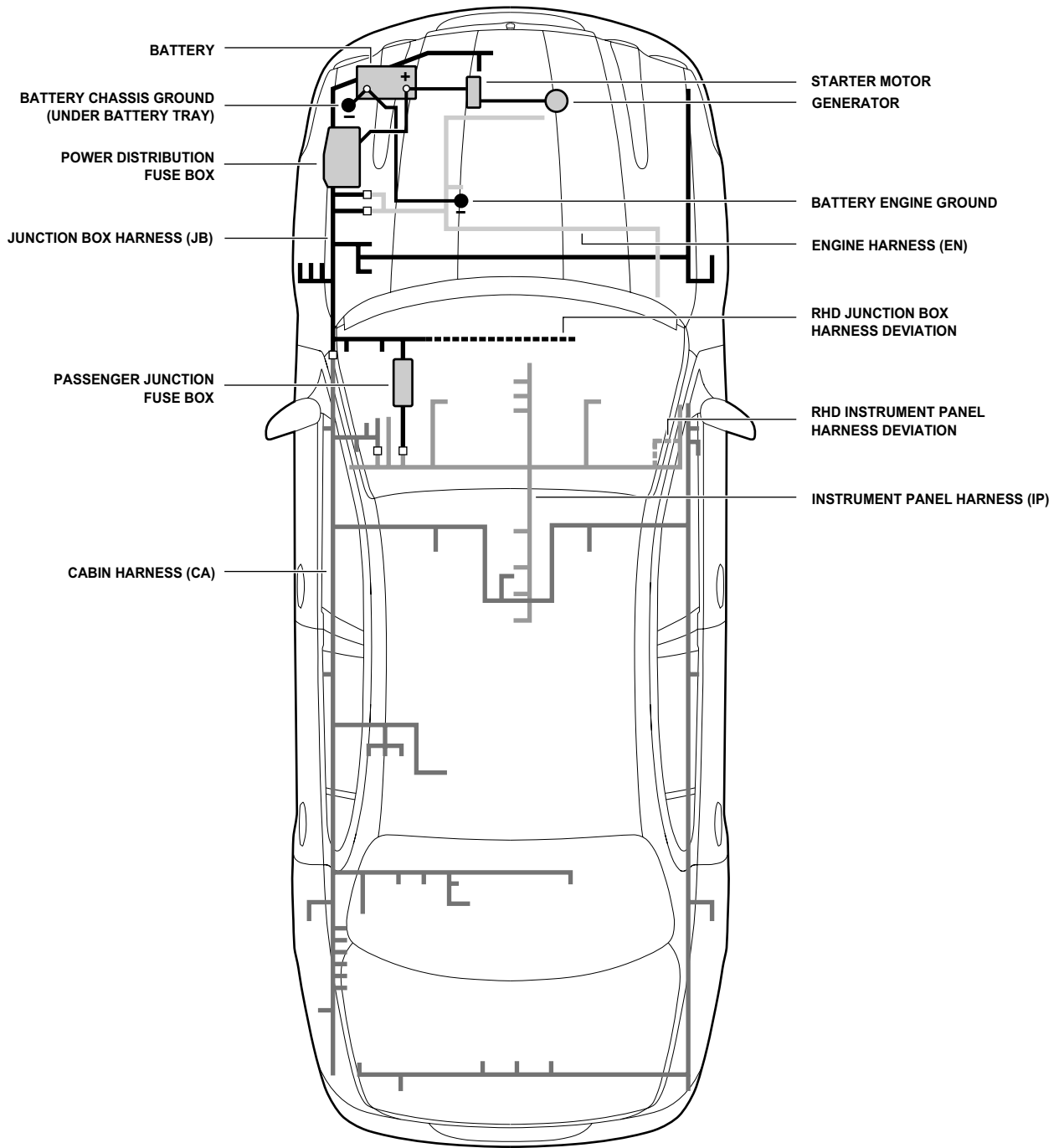
PASSENGER JUNCTION FUSE BOX (FRONT)

PASSENGER JUNCTION FUSE BOX (BACK)



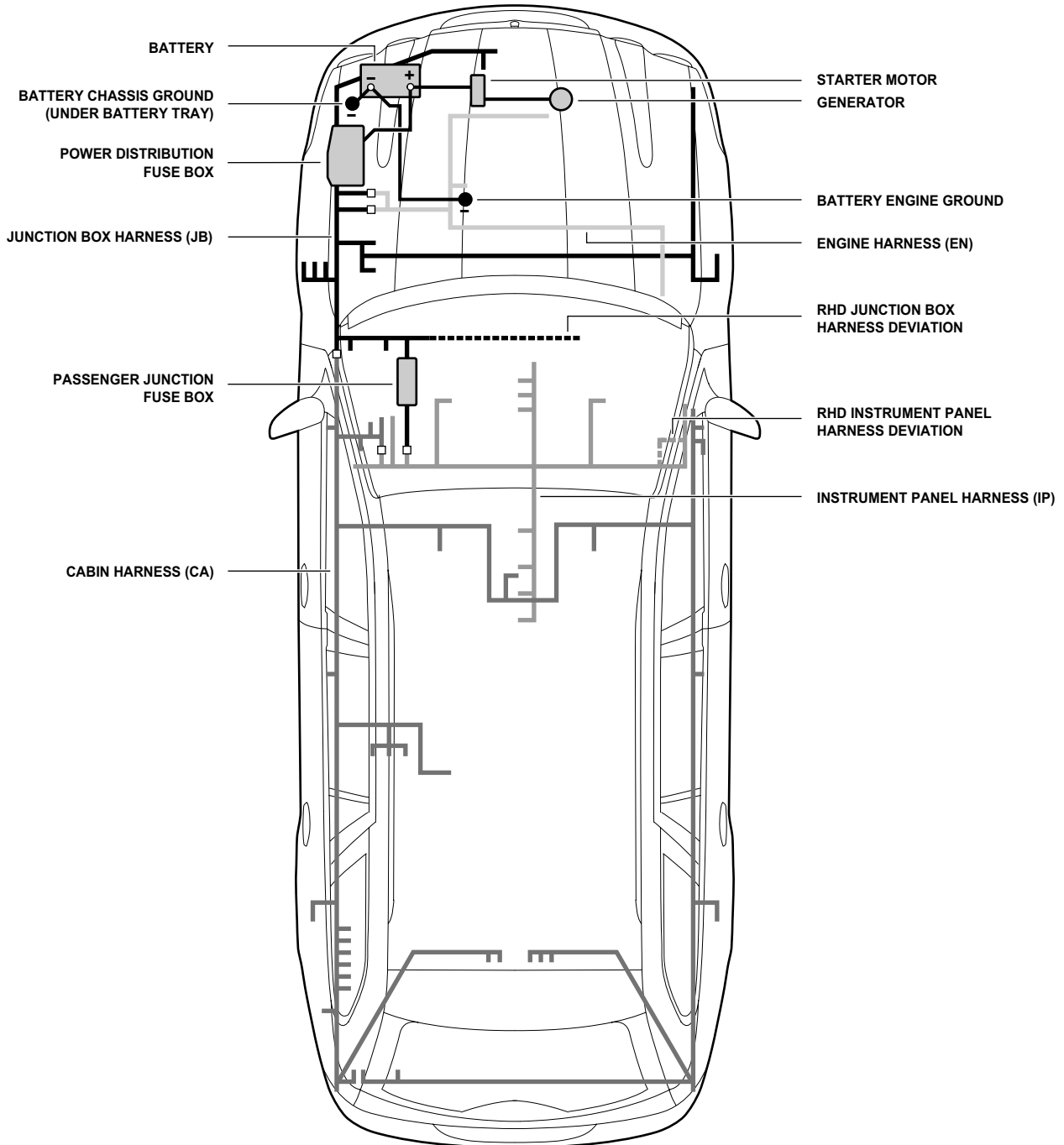
fuse_box_con_4000625

SEDAN (GASOLINE ENGINE SHOWN)



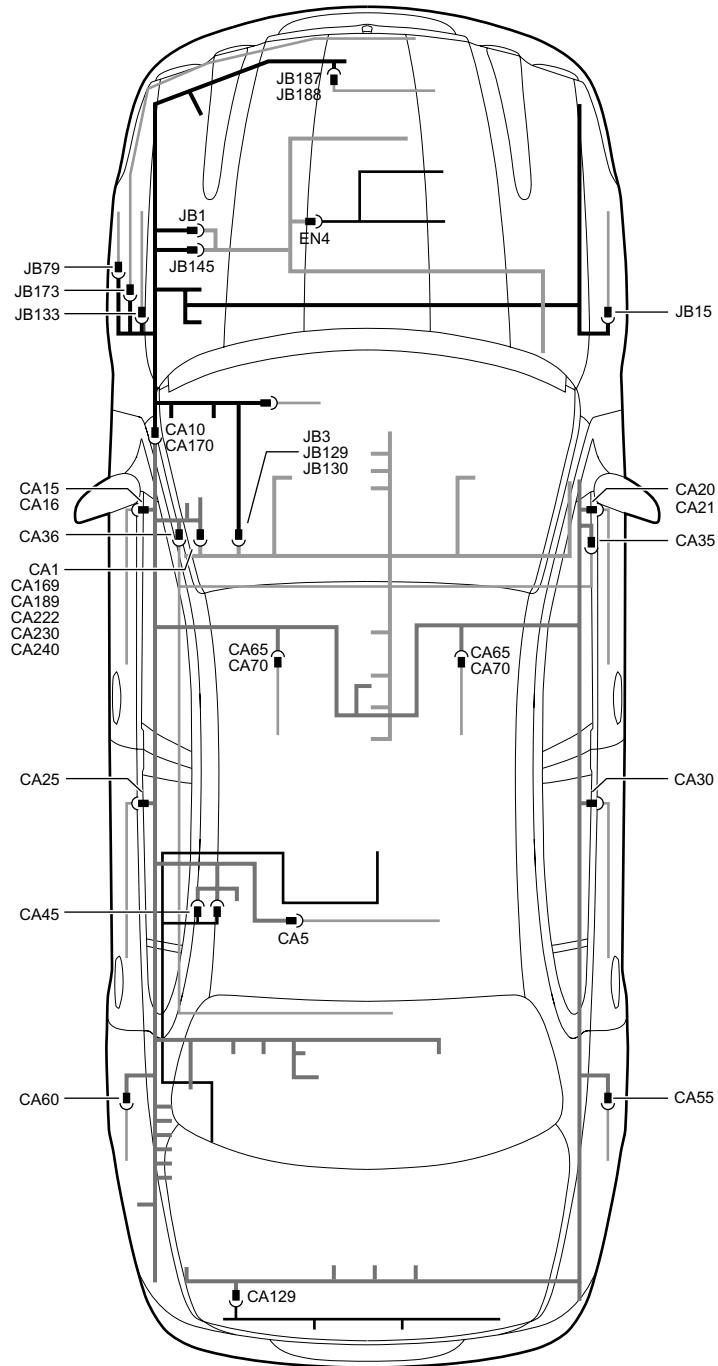
harn_fuse_box.loc_4000625

ESTATE / WAGON (GASOLINE ENGINE SHOWN)

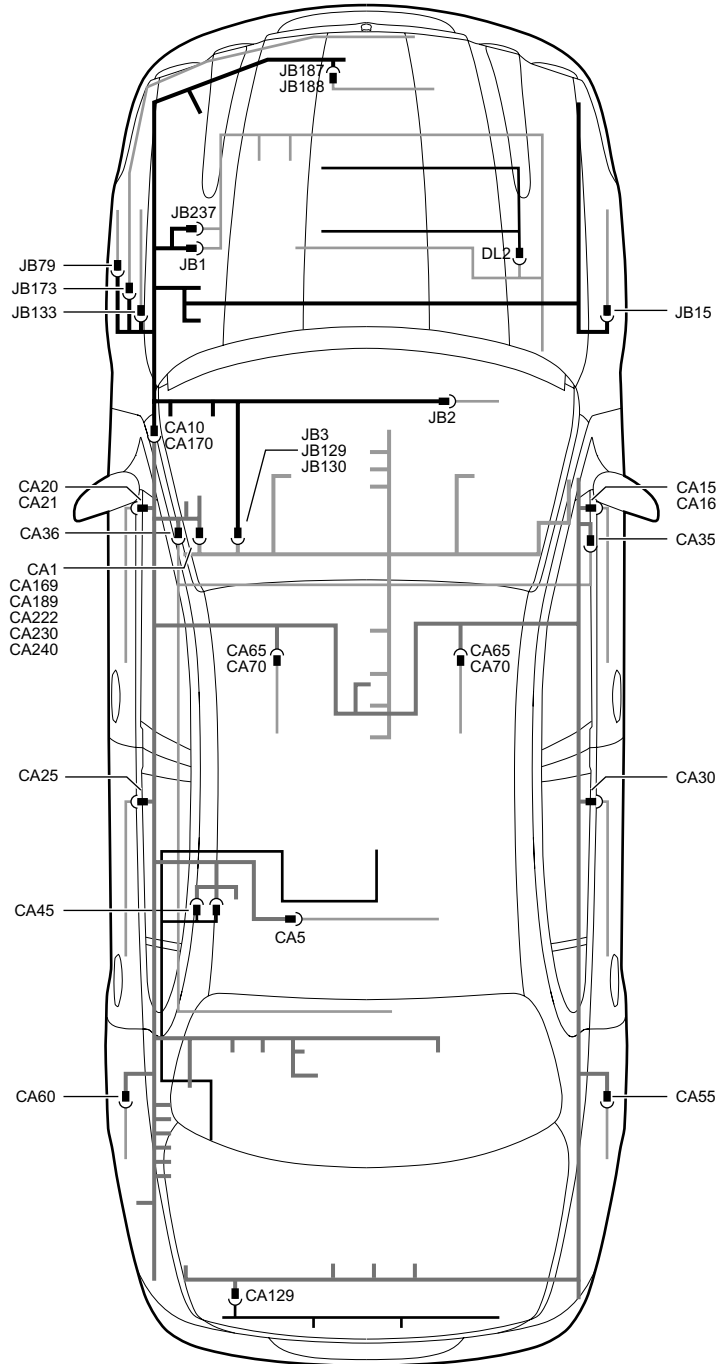


est_fuse_box_loc_4000625

SEDAN: GASOLINE ENGINE (LHD SHOWN)

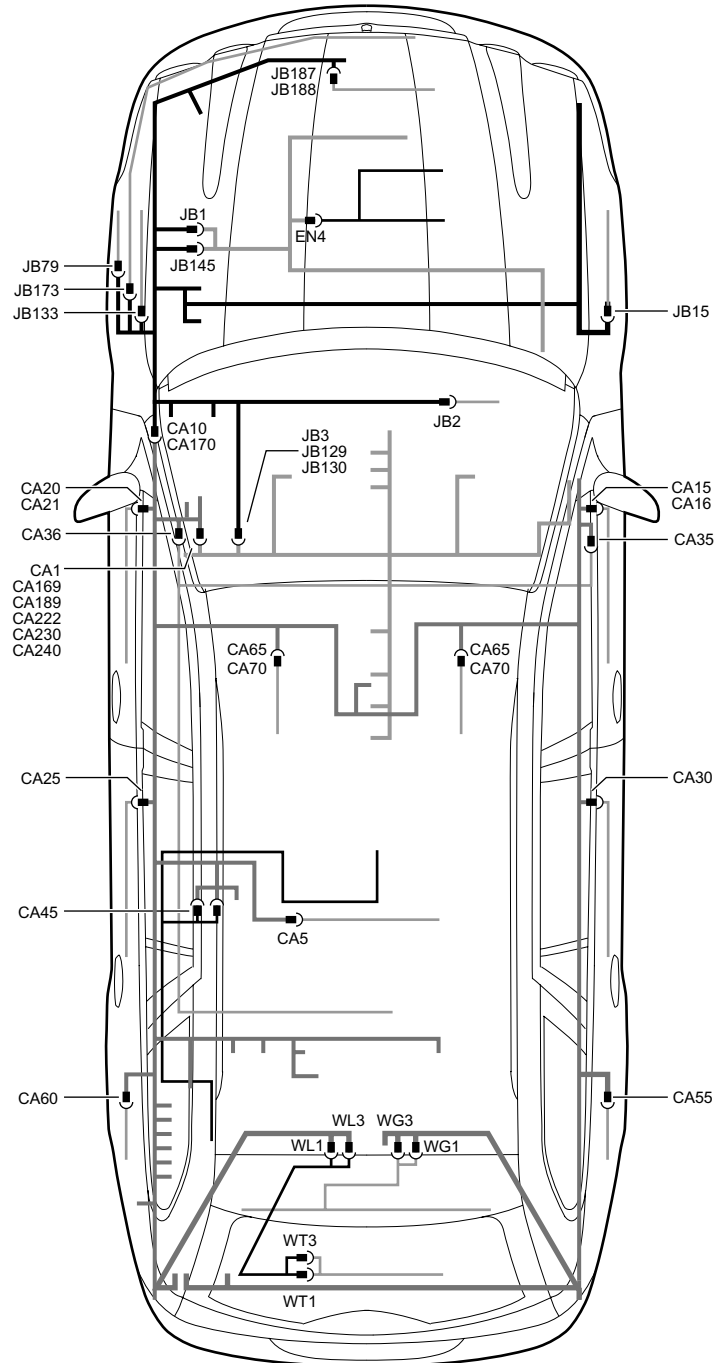


SEDAN: DIESEL ENGINE (RHD SHOWN)



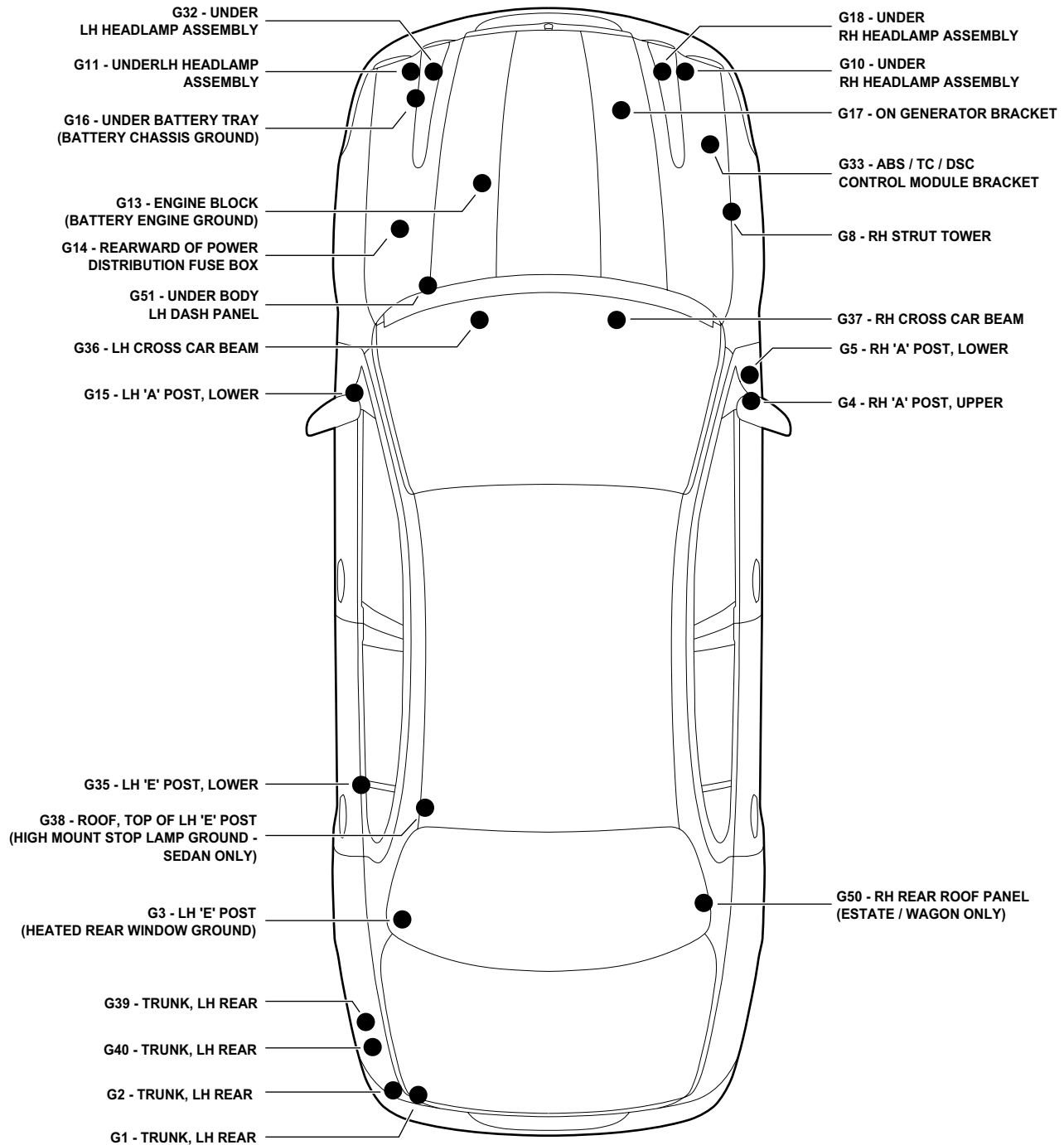
diesel_harn_con_loc_400625

ESTATE / WAGON (RHD SHOWN)



estate_harn_con_loc_400062

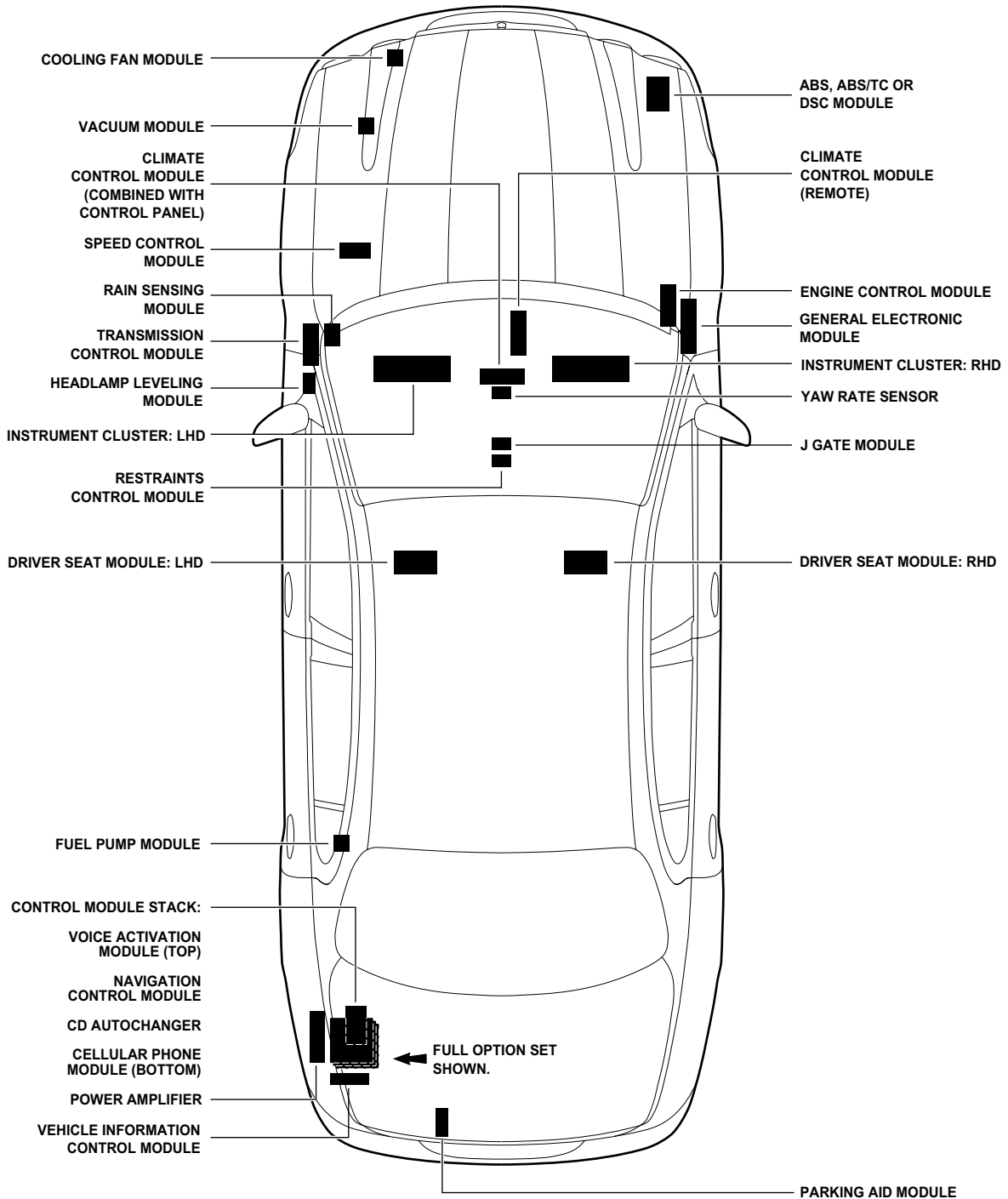
SEDAN SHOWN



NOTE: UNIQUE GROUND STUDS ARE NOTED IN PARENTHESES.

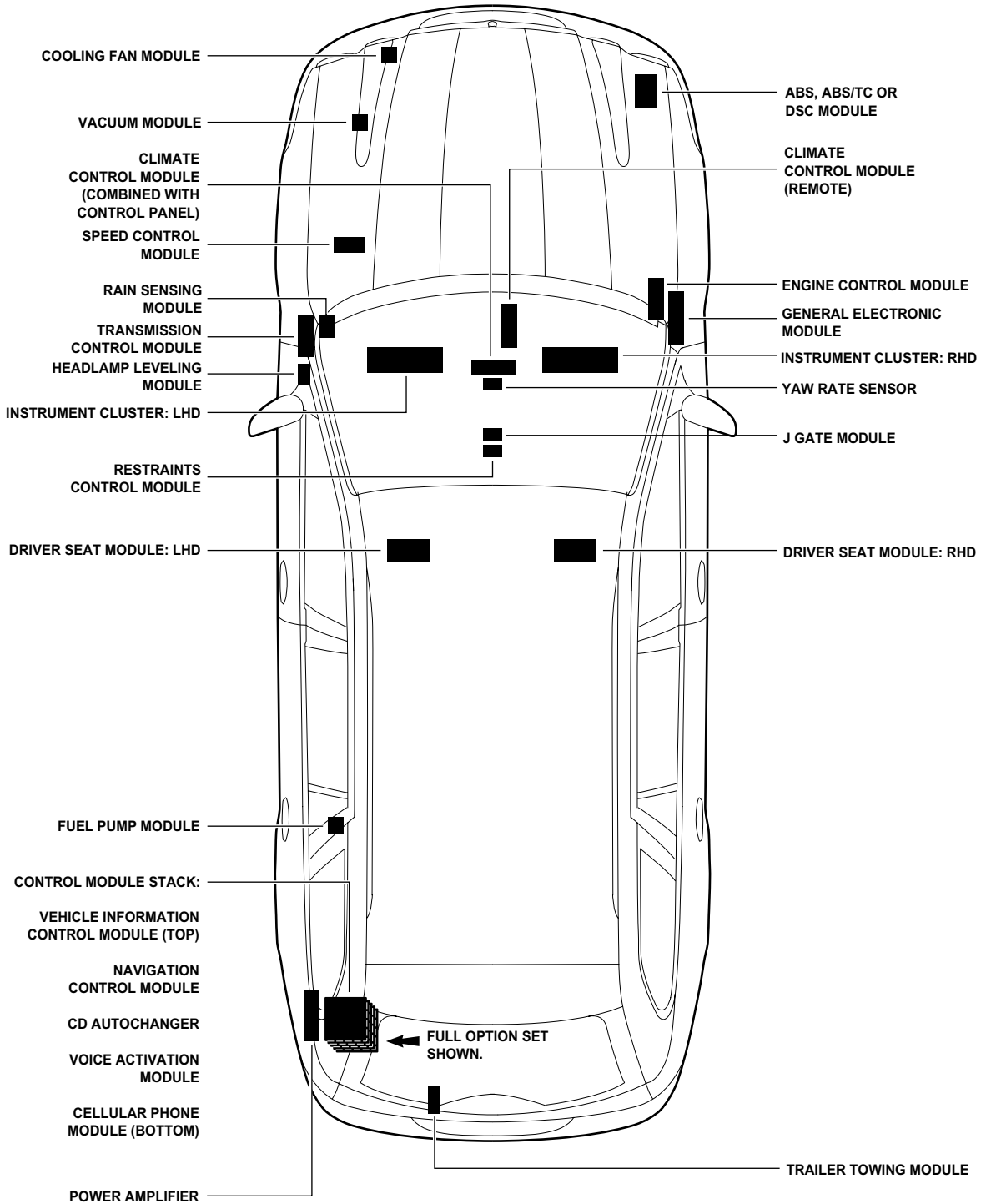
grd_pt_loc_4000625

SEDAN



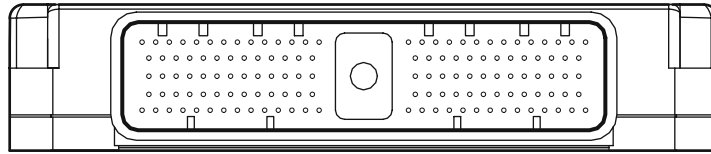
cntrl_mod_loc_4000625

ESTATE / WAGON



estate_cnt_mod_loc_4000625

ENGINE CONTROL MODULE - 2.5 L, 3.0 L

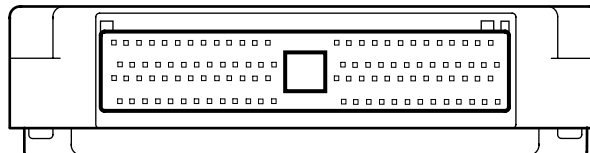


EN16 / 134-WAY / BLACK

107	108	109	110	111	112	113	114	115	116	117	118	119	120
Y	G	RW	G	B	-	BG	BO	BG	B	-	BO	BW	BW
81	82	83	84	85	86	87	88	89	90	91	92	93	
B	B	Y	G	-	-	GU	GW	GR	-	B	U	UY	
55	56	57	58	59	60	61	62	63	64	65	66	67	
GO	GO	-	-	-	-	GU	GW	GR	-	OG	UY	O	
29	30	31	32	33	34	35	36	37	38	39	40	41	
B	B	B	-	WG	BG	-	G	Y	OY	OY	B	GO	
1	2	3	4	5	6	7	8	9	10	11	12	13	14
RU	RU	-	B	B	Y	GO	GO	U	GU	-	OY	Y	-

121	122	123	124	125	126	127	128	129	130	131	132	133	134
WU	-	G	Y	-	-	BW	N	N	BR	YG	YG	BG	RW
94	95	96	97	98	99	100	101	102	103	104	105	106	
O	B	-	-	N	-	BG	-	R	Y	RG	W	R	
68	69	70	71	72	73	74	75	76	77	78	79	80	
G	N	UY	O	-	U	-	G	Y	-	Y	U	G	
42	43	44	45	46	47	48	49	50	51	52	53	54	
-	W	GW	BW	BW	YR	YG	-	U	WU	GR	RG	B	
15	16	17	18	19	20	21	22	23	24	25	26	27	28
-	-	B	B	BG	BG	-	NR	WG	WG	W	-	N	-

ENGINE CONTROL MODULE - 2.0 L

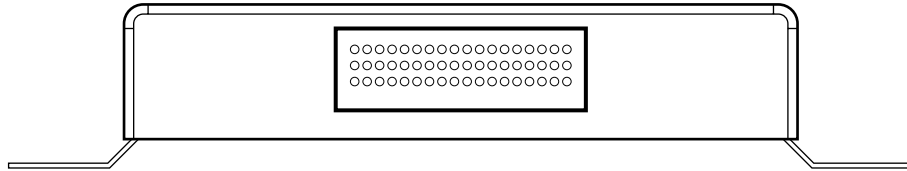


EN65 / 104-WAY / BLACK

79	80	81	82	83	84	85	86	87	88	89	90	91
Y	UY	O	-	-	WG	B	G	N	G	Y	-	B
53	54	55	56	57	58	59	60	61	62	63	64	65
N	N	BR	GW	GU	-	O	B	G	Y	GO	B	BG
27	28	29	30	31	32	33	34	35	36	37	38	39
N	-	BW	GW	BW	-	-	GO	U	GU	N	BG	W
1	2	3	4	5	6	7	8	9	10	11	12	13
BW	WU	BG	B	B	Y	U	OG	-	-	OY	YG	YG

92	93	94	95	96	97	98	99	100	101	102	103	104
BW	BW	BO	G	RW	G	R	GR	-	-	B	GO	RU
66	67	68	69	70	71	72	73	74	75	76	77	78
BO	BG	GO	B	-	OY	-	-	UY	B	GO	RU	B
40	41	42	43	44	45	46	47	48	49	50	51	52
GU	GW	GR	RG	WU	-	UY	U	B	-	G	Y	B
14	15	16	17	18	19	20	21	22	23	24	25	26
GU	GW	GR	G	B	B	BG	NR	WG	WG	-	G	Y

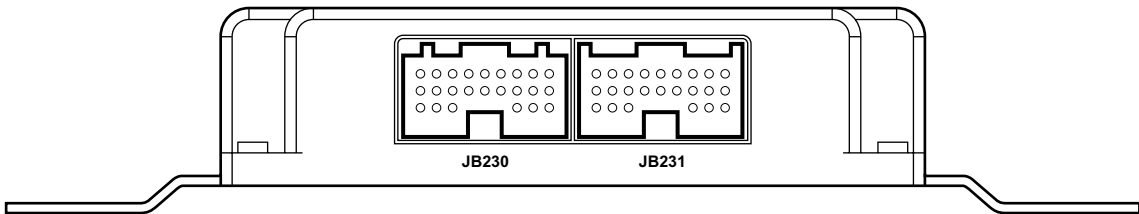
TRANSMISSION CONTROL MODULE - 16 BIT



JB131 / 37-WAY / BLUE

18 R	17 B	16 O	15 B	14 N	13 G	12 G	11 -	10 W	9 B	8 R	7 O	6 UY	5 O	4 U	3 G	2 -	1 -
36 WU	35 -	34 Y	33 Y	32 -	31 -	30 U	29 -	28 -	27 Y	26 S	25 W	24 N	23 -	22 -	21 G	20 R	19 -
54 WU	53 Y	52 G	51 -	50 -	49 -	48 -	47 OY	46 BRD	45 BW	44 BRD	43 -	42 BRD	41 -	40 -	39 W	38 B	37 -

TRANSMISSION CONTROL MODULE - 32 BIT



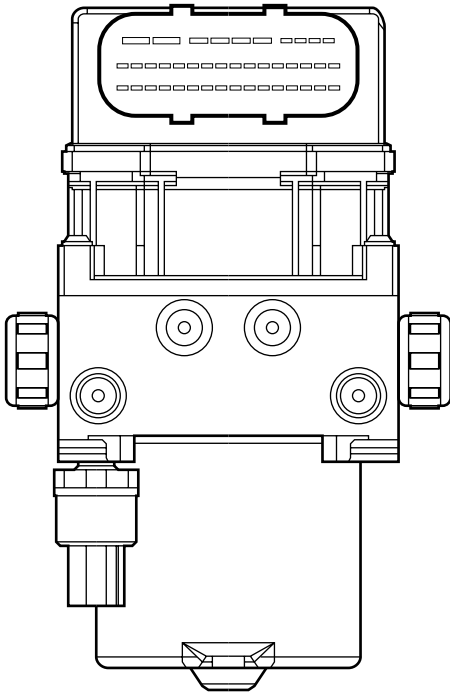
JB230 / 24-WAY / WHITE

1 R	2 G	3 O	4 B	5 Y	6 G	7 W	8 Y	9 -
10 WU	11 B	12 N	13 -	14 Y	15 G	16 -	17 -	18 U
19 WU	20 G	21 U				22 -	23 BRD	24 O

JB231 / 24-WAY / GREY

25 B	26 BRD	27 R	28 UY	29 O	30 -	31 -	32 -	33 -
34 Y	35 S	36 W	37 -	38 N	39 G	40 -	41 OY	42 R
43 BW	44 BRD	45 -				46 -	47 W	48 B

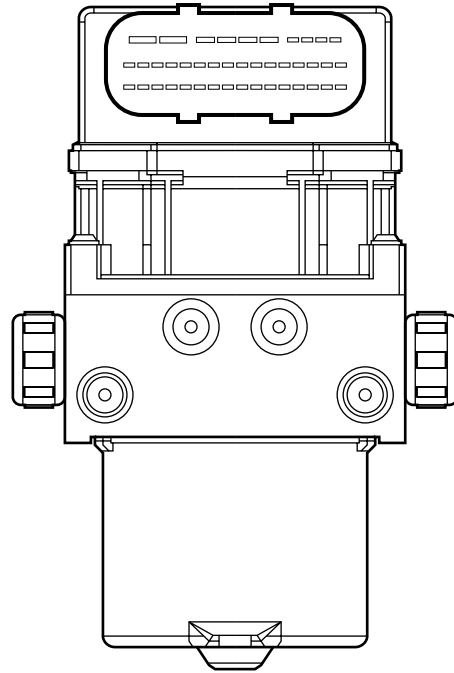
DYNAMIC STABILITY CONTROL MODULE



JB185 / 42-WAY / BLUE

1 B	2 R	3 -	4 -	5 B	6 R	7 -	8 -	9 -	10 -	11 -	12 W	13 GB	14 WU	15 NR	16 WR	17 -	18 -	19 -	20 -	21 U	22 -	23 GW	24 Y	25 B	26 WG
27 B	28 N	29 -	30 NG	31 WG	32 GO	33 -	34 -	35 -	36 -	37 -	38 -	39 GW	40 G	41 -	42 GB										

**ANTI-LOCK BRAKING SYSTEM MODULE OR
ANTI-LOCK BRAKING / TRACTION CONTROL MODULE**



JB45 / 42-WAY BLUE (ABS)

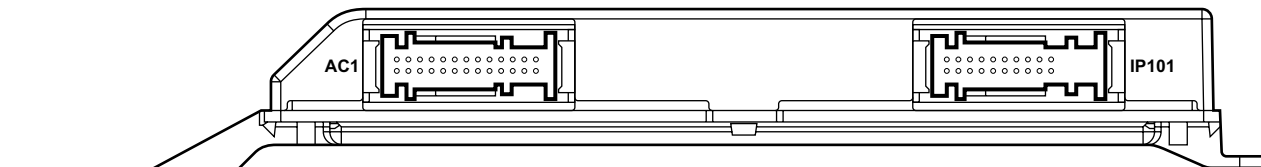
1 B	2 R	3 -	4 -	5 B	6 R	7 -	8 -	9 -	10 -	11 -	12 W	13 GB	14 WU	15 NR	16 WR	17 -	18 -	19 -	20 -	21 -	22 -	23 GW	24 Y	25 -	26 -
27 -	28 N	29 -	30 NG	31 WG	32 GO	33 -	34 -	35 -	36 -	37 -	38 -	39 -	40 G	41 -	42 -										

JB197 / 42-WAY / BLUE (ABS/TC)

1 B	2 R	3 -	4 -	5 B	6 R	7 -	8 -	9 -	10 -	11 -	12 W	13 GB	14 WU	15 NR	16 WR	17 -	18 -	19 -	20 -	21 -	22 -	23 GW	24 Y	25 -	26 -
27 B	28 N	29 N	30 NG	31 WG	32 GO	33 -	34 -	35 -	36 -	37 -	38 -	39 -	40 G	41 -	42 -										

dyn_stab_crt_mod_4000625

CLIMATE CONTROL MODULE - AUTOMATIC (REMOTE)



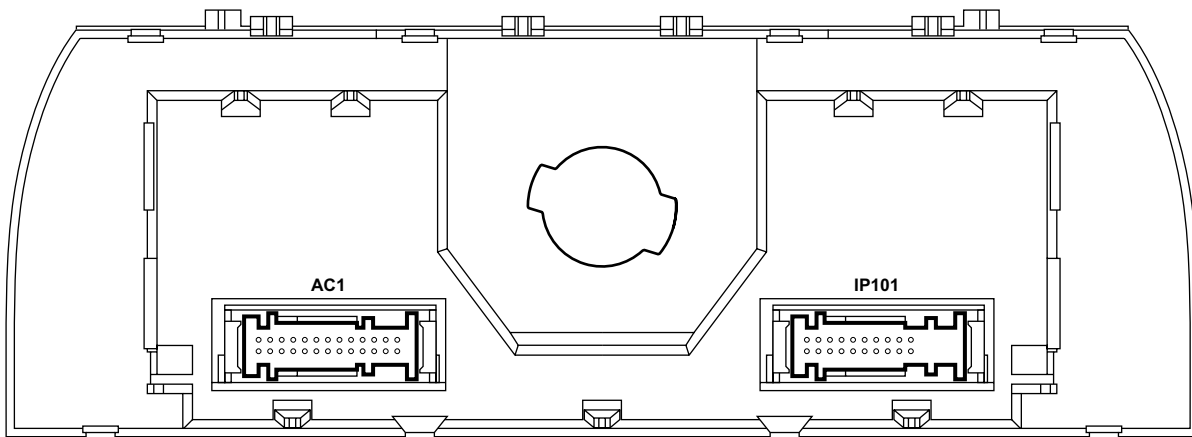
AC1 / 26-WAY / YELLOW

14 G	15 UY	16 B	17 -	18 -	19 -	20 GU	21 GB	22 OG	23 O	24 RW	25 RG	26 OY
1 -	2 -	3 -	4 GW	5 U	6 GR	7 GO	8 RU	9 R	10 WB	11 W	12 Y	13 R

IP101 / 26-WAY / WHITE

14 OG	15 B	16 W	17 B	18 -	19 B	20 G	21 W	22 Y	23 G
1 OY	2 WR	3 B	4 B	5 BW	6 B	7 BW	8 -	9 Y	10 G

CLIMATE CONTROL MODULE - AUTOMATIC (PANEL)



AC1 / 26-WAY / YELLOW

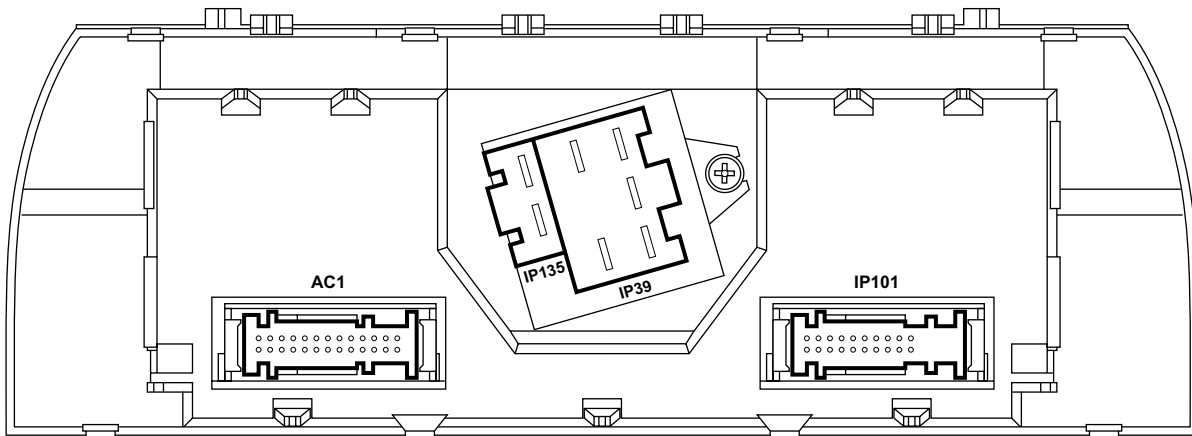
14 G	15 UY	16 B	17 -	18 -	19 -	20 GU	21 GB	22 OG	23 O	24 RW	25 RG	26 OY
1 -	2 -	3 -	4 GW	5 U	6 GR	7 GO	8 RU	9 R	10 WB	11 W	12 Y	13 R

IP101 / 26-WAY / WHITE

14 OG	15 B	16 W	17 B	18 -	19 B	20 G	21 W	22 Y	23 G
1 OY	2 WR	3 B	4 B	5 BW	6 B	7 BW	8 -	9 Y	10 G

cli_cnt_mod_4000625

CLIMATE CONTROL MODULE - MANUAL (PANEL)



AC1 / 26-WAY / YELLOW

14	15	16	17	18	19	20	21	22	23	24	25	26
G	UY	B	-	-	-	GU	GB	OG	O	RW	RG	OY
1	2	3	4	5	6	7	8	9	10	11	12	13
-	-	-	GW	U	GR	GO	RU	R	WB	W	Y	R

IP135 / 2-WAY / GREY

2
B
1
BW

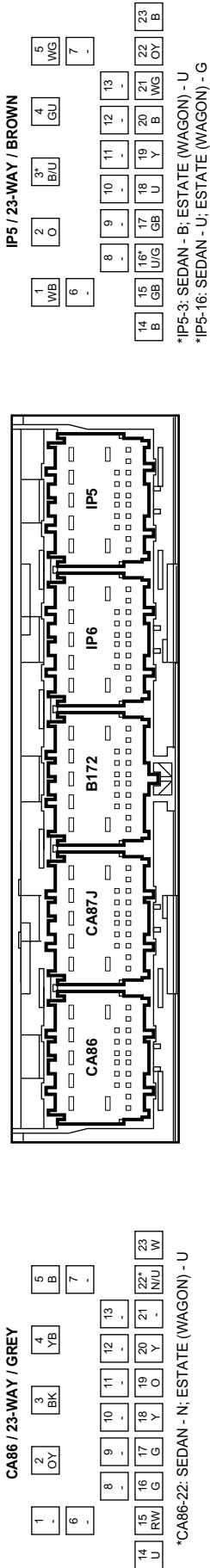
IP39 / 4-WAY / GREY

4	1
BK	GB
	2
	BO
6	3
BG	BR

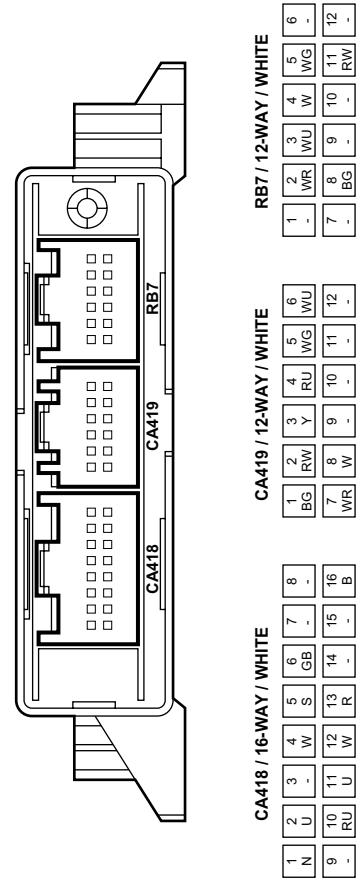
IP101 / 26-WAY / WHITE

14	15	16	17	18	19	20	21	22	23
OG	B	-	-	-	-	G	-	Y	G
1	2	3	4	5	6	7	8	9	10
OY	WR	B	B	-	-	BW	-	Y	G

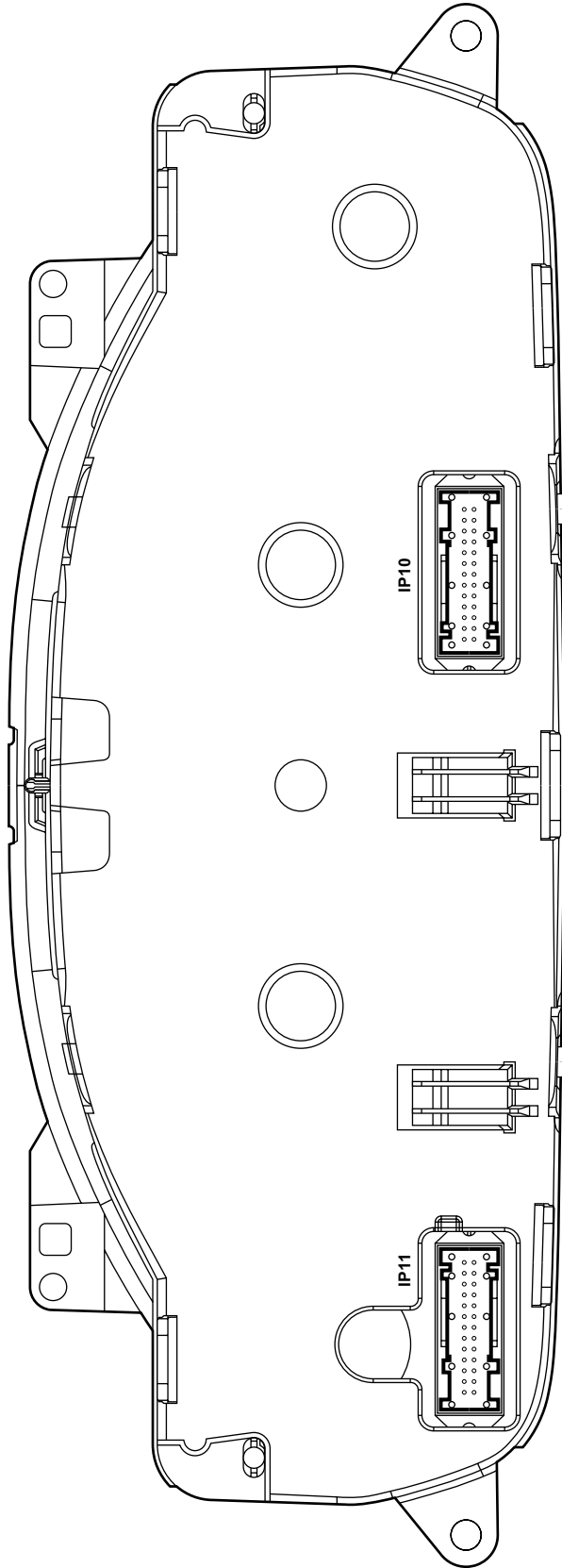
GENERAL ELECTRONIC MODULE



PARKING AID MODULE



INSTRUMENT CLUSTER



IP10 / 26-WAY WHITE

14	15	16	17	18	19	20	21	22	23	24	25	26
-	B	B	Y	G	U	WU	-	Y	U	Y	W	-
1	2	3	4	5	6	7	8	9	10	11	12	13
GB	OY	WG	O	B	G	WU	WB	B	U	B	B	GR

IP11 / 26-WAY / WHITE

13	12	11	10	9	8	7	6	5	4	3	2	1
YU	-	GR	-	-	B	B	OG	-	B	GB	-	-
26	25	24	23	22	21	20	19	18	17	16	15	14
-	R	GR	U	-	O	-	U	-	OY	-	OG	-

inst_clust_4000625

Fig. 01.1

COMPONENTS

Component	Connector(s)	Connector Description	Location
BATTERY	—	—	ENGINE COMPARTMENT
IGNITION SWITCH	IP18	7-WAY / BLACK	STEERING COLUMN
INERTIA SWITCH	IP132	3-WAY / BLACK	LOWER RH 'A' POST
PASSENGER JUNCTION FUSEBOX	—	—	PASSENGER COMPARTMENT, FRONT BULKHEAD / LH SIDE
POWER DISTRIBUTION FUSEBOX	—	—	ENGINE COMPARTMENT
TRANSIT ISOLATION RELAY	JB186	2-WAY / BLACK	BATTERY

HARNESS IN-LINE CONNECTORS

Connector	Connector Description / Location	Location
JB3	14-WAY / BLUE / JUNCTION BOX HARNESS TO INSTRUMENT PANEL HARNESS	BELOW INSTRUMENT PANEL / LH SIDE

GROUNDS

Ground	Harness	Location
G13	B03	BATTERY ENGINE GROUND
G16	B03	ENGINE COMPARTMENT / UNDER BATTERY TRAY

Refer to the front of this book for detailed information and illustrations regarding the location and identification of harnesses, relays, fuses, grounds, control modules and control module pins.

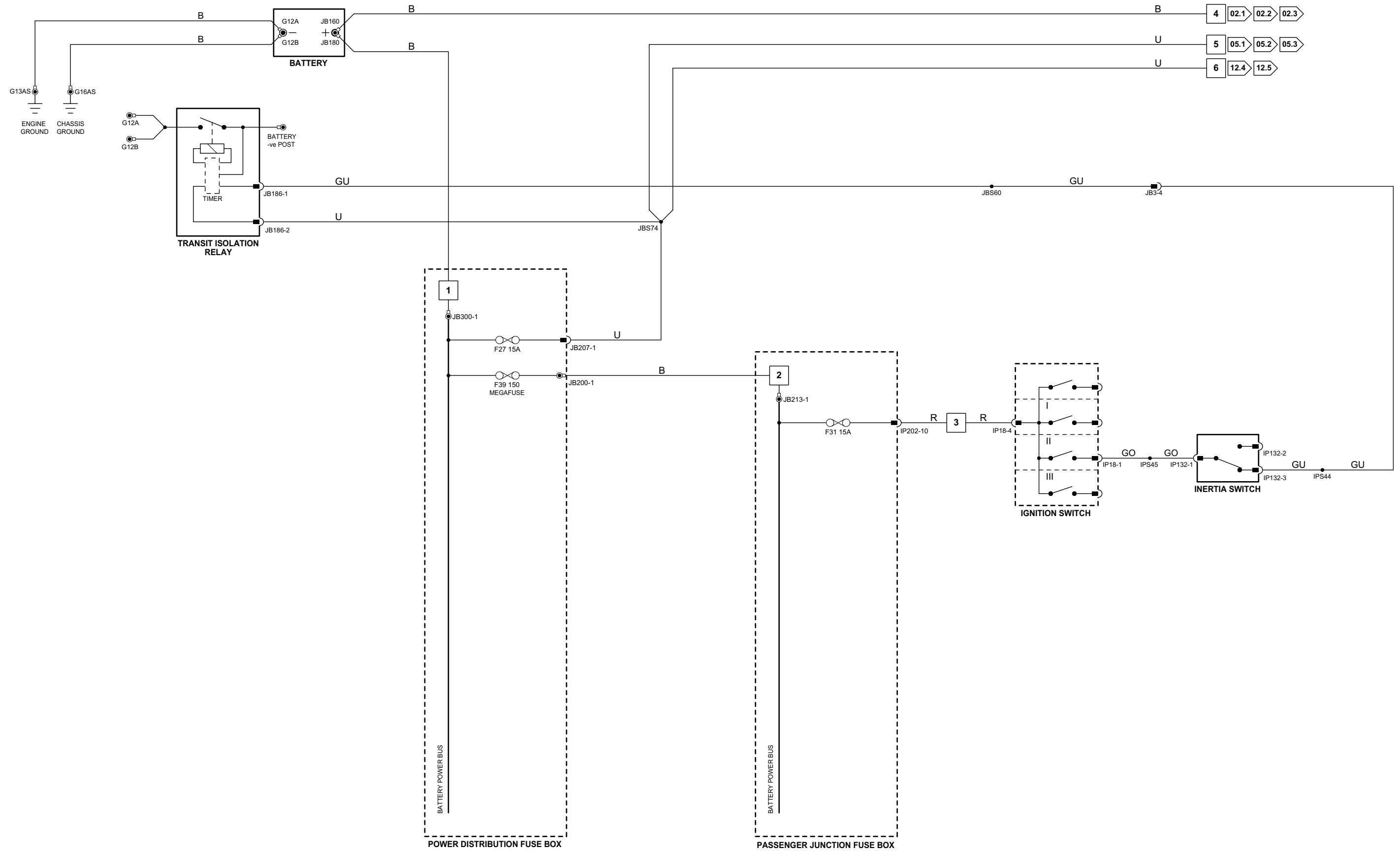


Fig. 01.2

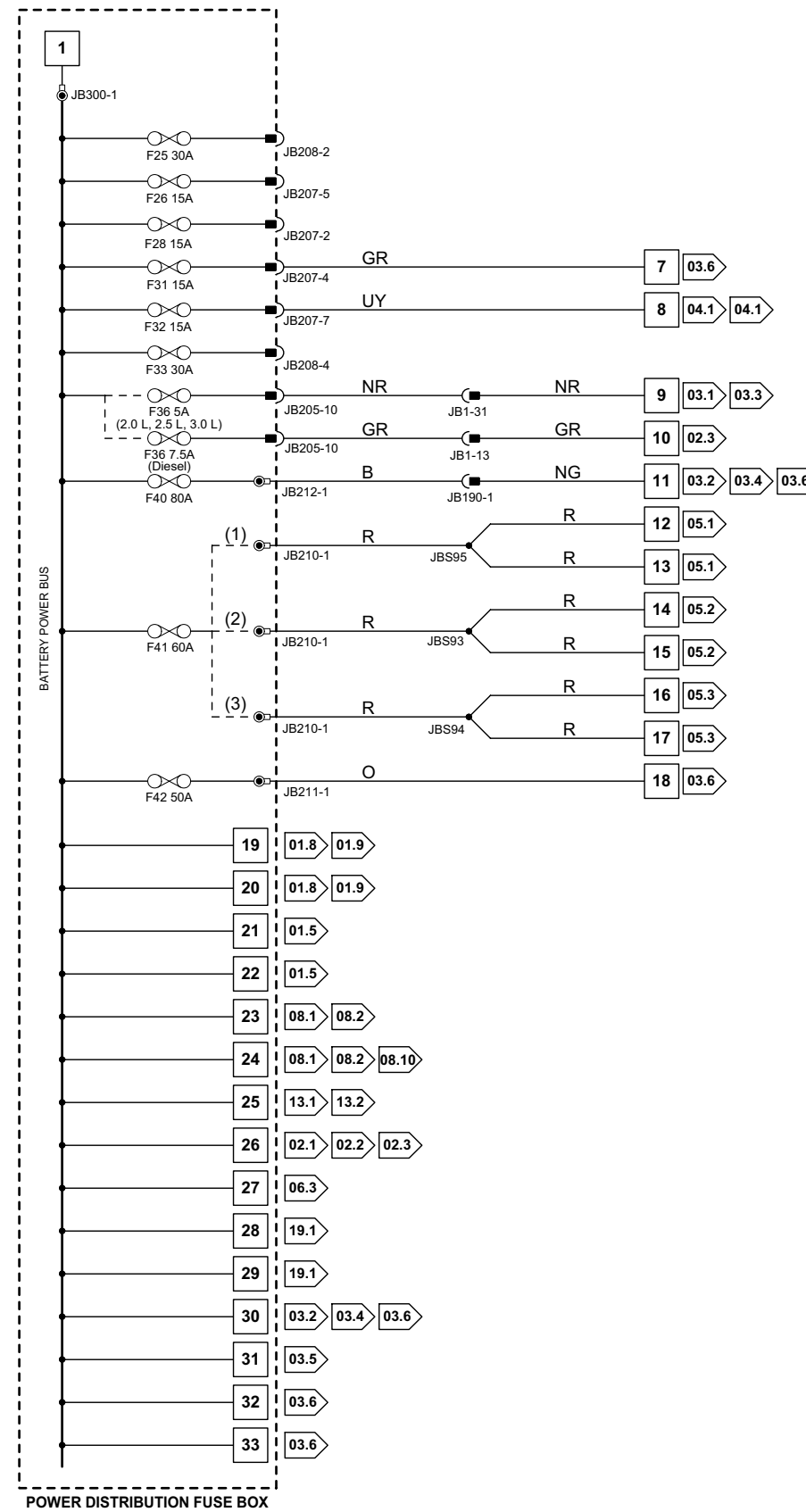
COMPONENTS

Component	Connector(s)	Connector Description	Location
POWER DISTRIBUTION FUSEBOX	—	—	ENGINE COMPARTMENT

HARNESS IN-LINE CONNECTORS

Connector	Connector Description / Location	Location
JB1	42-WAY / BLACK / ENGINE MANAGEMENT HARNESS TO JUNCTION BOX HARNESS	ENGINE COMPARTMENT / LH SIDE
JB190	4-WAY / BLACK / JUNCTION BOX HARNESS TO COOLING FAN MODULE LINK LEAD	ENGINE COMPARTMENT / FRONT, LH SIDE

Refer to the front of this book for detailed information and illustrations regarding the location and identification of harnesses, relays, fuses, grounds, control modules and control module pins.



NOTATION:

- (1) Vehicles with Anti-Lock Braking (ABS) only
- (2) Vehicles with ABS and Traction Control
- (3) Vehicles with Dynamic Stability Control

101_2_400025

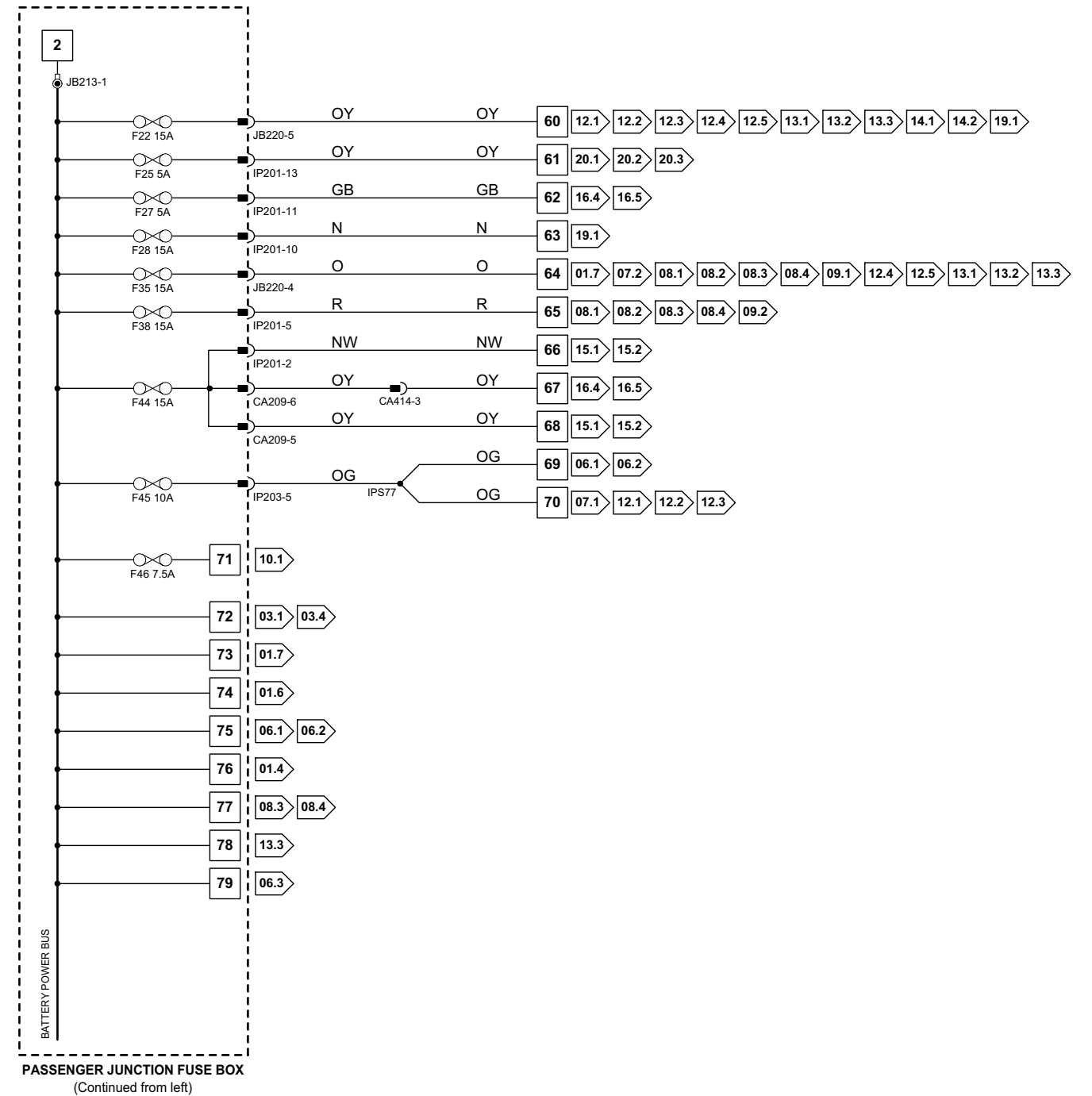
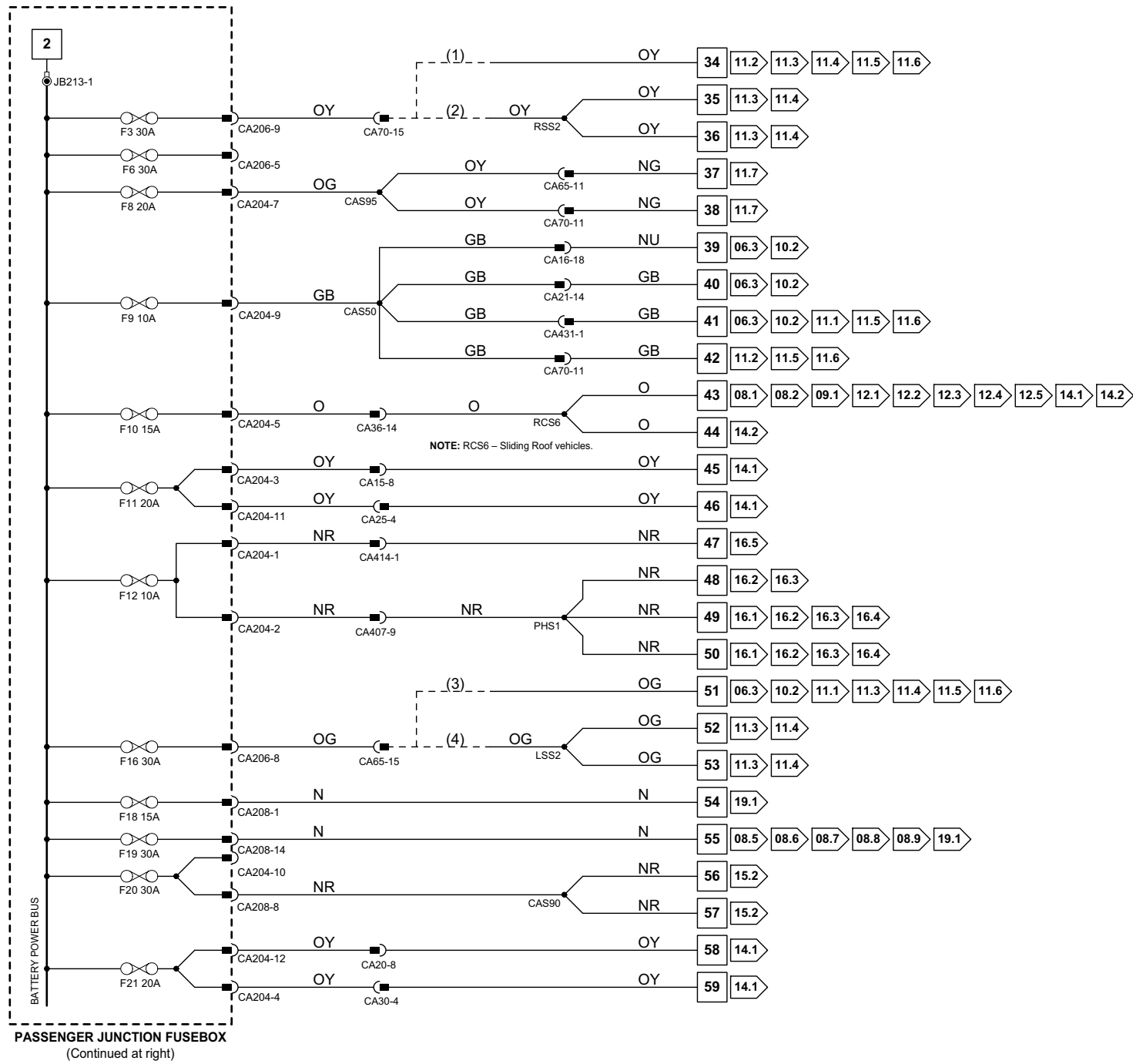
Fig. 01.3**COMPONENTS**

Component	Connector(s)	Connector Description	Location
PASSENGER JUNCTION FUSEBOX	-	-	PASSENGER COMPARTMENT, FRONT BULKHEAD / LH SIDE

HARNESS IN-LINE CONNECTORS

Connector	Connector Description / Location	Location
CA15	20-WAY / BLACK / CABIN HARNESS TO DRIVER DOOR HARNESS	DRIVER DOOR / DOOR CASING
CA16	20-WAY / BLACK / CABIN HARNESS TO DRIVER DOOR HARNESS	DRIVER DOOR / DOOR CASING
CA20	20-WAY / BLACK / CABIN HARNESS TO PASSENGER DOOR HARNESS	PASSENGER DOOR / DOOR CASING
CA21	20-WAY / BLACK / CABIN HARNESS TO PASSENGER DOOR HARNESS	PASSENGER DOOR / DOOR CASING
CA25	14-WAY / NATURAL / CABIN HARNESS TO LH REAR DOOR HARNESS	LH 'B/C' POST / 'B/C' POST TRIM
CA30	14-WAY / NATURAL / CABIN HARNESS TO RH REAR DOOR HARNESS	RH 'B/C' POST / 'B/C' POST TRIM
CA36	16-WAY / GREEN / CABIN HARNESS TO ROOF HARNESS	LH 'A' POST / WINDSHIELD PILLAR
CA65	18-WAY / BLACK / CABIN HARNESS TO DRIVER SEAT HARNESS	UNDER DRIVER SEAT
CA70	18-WAY / BLACK / CABIN HARNESS TO DRIVER SEAT HARNESS	UNDER DRIVER SEAT
CA407	16-WAY / GREY / CELLULAR PHONE HARNESS TO CABIN HARNESS	BELOW LH REAR SEAT CUSHION
CA414	16-WAY / BLUE / NAVIGATION HARNESS TO CABIN HARNESS	BELOW LH REAR SEAT CUSHION
CA431	16-WAY / GREY / CABIN HARNESS TO DRIVER SEAT HARNESS	UNDER DRIVER SEAT

Refer to the front of this book for detailed information and illustrations regarding the location and identification of harnesses, relays, fuses, grounds, control modules and control module pins.



NOTATION:
 (1) Passenger Memory Seat; RH Seat without Lumbar
 (2) RH Seat with Lumbar
 (3) Driver Memory Seat; LH Seat without Lumbar
 (4) LH Seat with Lumbar

G18AR

101_3_400025

1 → 6 Fig. 01.1	34 → 79 Fig. 01.3	11 → 31 Fig. 01.5	67 → 76 Fig. 01.7	98 → 107 Fig. 01.9	Input	Battery Voltage	Sensor/Signal Supply V	CAN	D2B Network
7 → 33 Fig. 01.2	1 → 10 Fig. 01.4	32 → 66 Fig. 01.6	77 → 97 Fig. 01.8		Output	Power Ground	Sensor/Signal Ground	SCP	Serial and Encoded Data

VARIANT: All Vehicles
VIN RANGE: All
DATE OF ISSUE: January 2007

Fig. 01.4**COMPONENTS**

Component	Connector(s)	Connector Description	Location
ACCESSORY RELAY	-	-	PASSENGER JUNCTION FUSEBOX - R2
IGNITION SWITCH	IP18	7-WAY / BLACK	STEERING COLUMN
PASSENGER JUNCTION FUSEBOX	-	-	PASSENGER COMPARTMENT, FRONT BULKHEAD / LH SIDE

HARNESS IN-LINE CONNECTORS

Connector	Connector Description / Location	Location
CA230	16-WAY / BLUE / CABIN HARNESS TO INSTRUMENT PANEL HARNESS	LH LOWER 'A' POST / 'A' POST TRIM
CA240	12-WAY / GREY / CABIN HARNESS TO INSTRUMENT PANEL HARNESS	LH LOWER 'A' POST / 'A' POST TRIM
CA407	16-WAY / GREY / CELLULAR PHONE HARNESS TO CABIN HARNESS	BELOW LH REAR SEAT CUSHION
CA414	16-WAY / BLUE / NAVIGATION HARNESS TO CABIN HARNESS	BELOW LH REAR SEAT CUSHION

GROUNDS

Ground	Harness	Location
G15	CA	LOWER LH 'A' POST

Refer to the front of this book for detailed information and illustrations regarding the location and identification of harnesses, relays, fuses, grounds, control modules and control module pins.

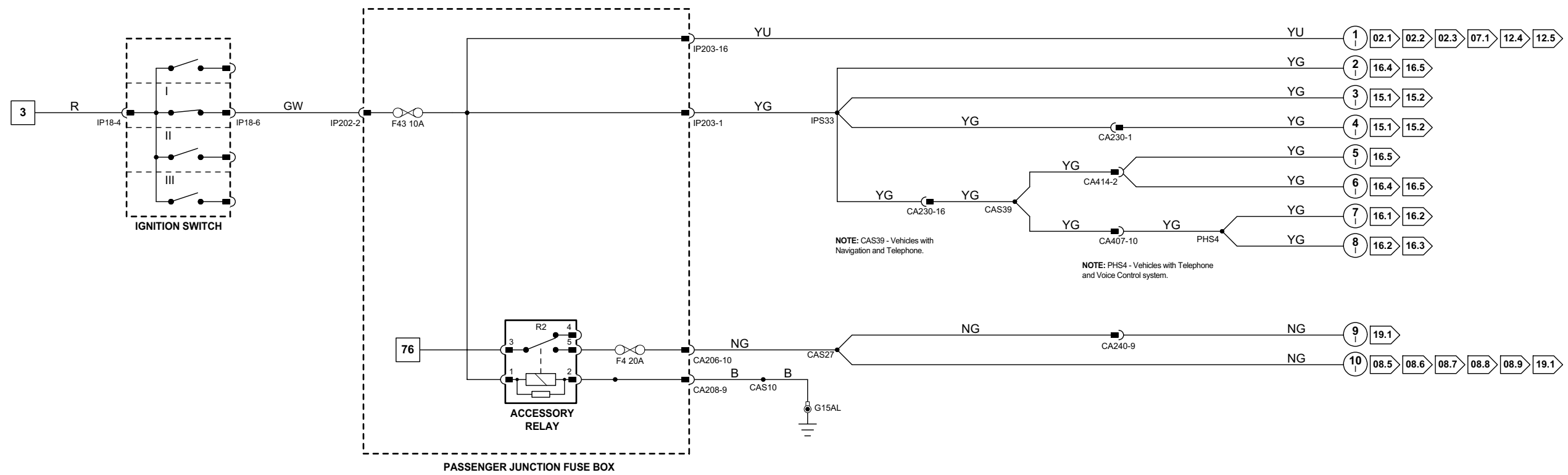


Fig. 01.5

COMPONENTS

Component	Connector(s)	Connector Description	Location
IGNITION SWITCH	IP18	7-WAY / BLACK	STEERING COLUMN
INERTIA SWITCH	IP132	3-WAY / BLACK	LOWER RH 'A' POST
POWER DISTRIBUTION FUSEBOX	-	-	ENGINE COMPARTMENT
POWER DISTRIBUTION FUSEBOX IGNITION RELAY	-	-	POWER DISTRIBUTION FUSEBOX - R5
SLAVE IGNITION RELAY	-	-	POWER DISTRIBUTION FUSEBOX - R13

HARNESS IN-LINE CONNECTORS

Connector	Connector Description / Location	Location
JB1	42-WAY / BLACK / ENGINE MANAGEMENT HARNESS TO JUNCTION BOX HARNESS	ENGINE COMPARTMENT / LH SIDE
JB3	14-WAY / BLUE / JUNCTION BOX HARNESS TO INSTRUMENT PANEL HARNESS	BELOW INSTRUMENT PANEL / LH SIDE
JB129	22-WAY / GREY / JUNCTION BOX HARNESS TO INSTRUMENT PANEL HARNESS	BELOW INSTRUMENT PANEL / LH SIDE
JB130	22-WAY / GREEN / JUNCTION BOX HARNESS TO INSTRUMENT PANEL HARNESS	BELOW INSTRUMENT PANEL / LH SIDE

GROUNDS

Ground	Harness	Location
G14	JB	ENGINE COMPARTMENT / BEHIND POWER DISTRIBUTION FUSEBOX

Refer to the front of this book for detailed information and illustrations regarding the location and identification of harnesses, relays, fuses, grounds, control modules and control module pins.

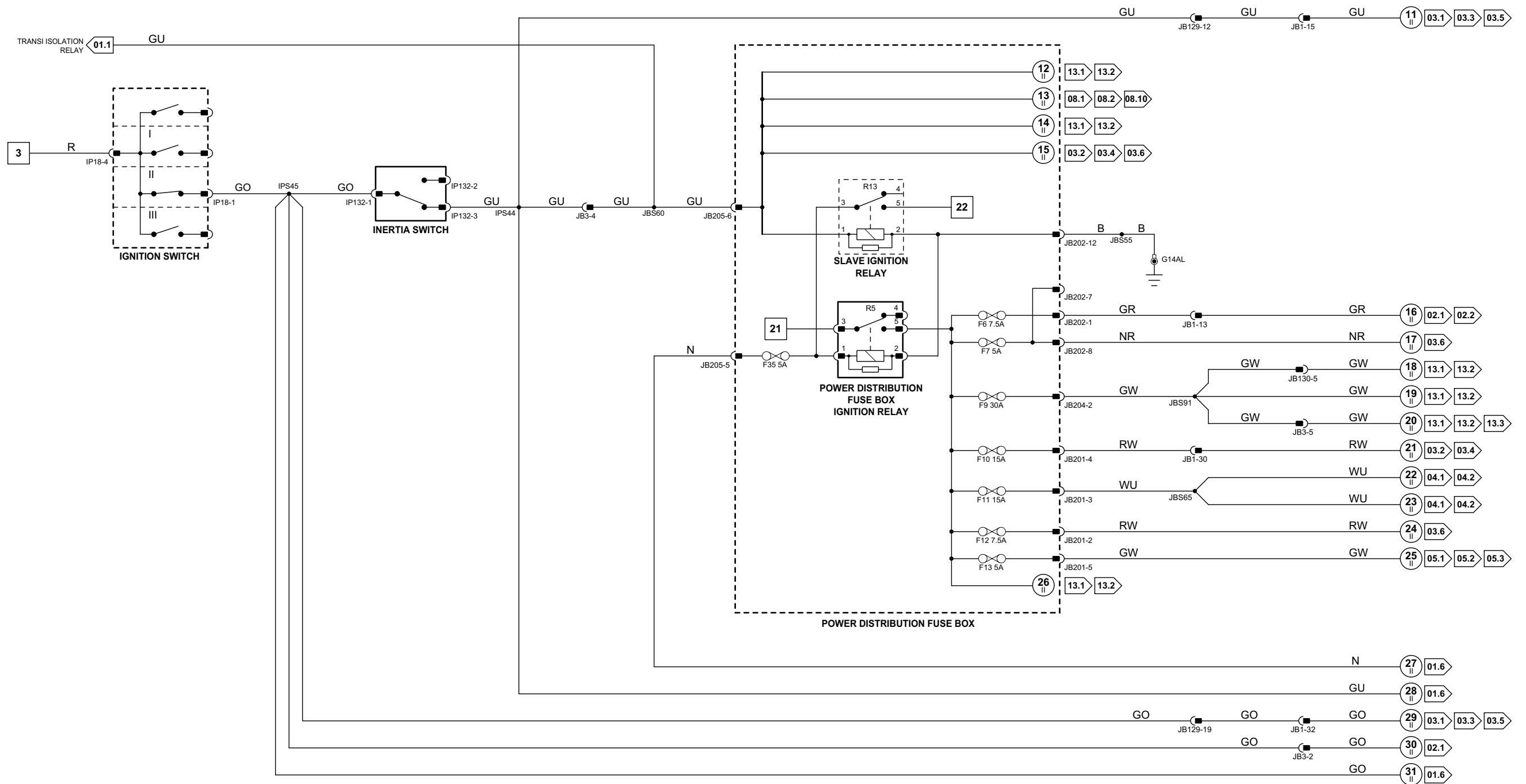


Fig. 01.6**COMPONENTS**

Component	Connector(s)	Connector Description	Location
PASSENGER JUNCTION FUSEBOX	-	-	PASSENGER COMPARTMENT, FRONT BULKHEAD / LH SIDE
PASSENGER JUNCTION FUSEBOX IGNITION RELAY	-	-	PASSENGER JUNCTION FUSEBOX - R5

HARNESS IN-LINE CONNECTORS

Connector	Connector Description / Location	Location
CA10	22-WAY / SLATE / CABIN HARNESS TO JUNCTION BOX HARNESS	LH 'A' POST / 'A' POST TRIM
CA15	20-WAY / BLACK / CABIN HARNESS TO DRIVER DOOR HARNESS	DRIVER DOOR / DOOR CASING
CA20	20-WAY / BLACK / CABIN HARNESS TO PASSENGER DOOR HARNESS	PASSENGER DOOR / DOOR CASING
CA25	14-WAY / NATURAL / CABIN HARNESS TO LH REAR DOOR HARNESS	LH 'B/C' POST / 'B/C' POST TRIM
CA30	14-WAY / NATURAL / CABIN HARNESS TO RH REAR DOOR HARNESS	RH 'B/C' POST / 'B/C' POST TRIM
CA36	16-WAY / GREEN / CABIN HARNESS TO ROOF HARNESS	LH 'A' POST / WINDSHIELD PILLAR
CA65	18-WAY / BLACK / CABIN HARNESS TO DRIVER SEAT HARNESS	UNDER DRIVER SEAT
CA70	18-WAY / BLACK / CABIN HARNESS TO DRIVER SEAT HARNESS	UNDER DRIVER SEAT
CA407	16-WAY / GREY / CELLULAR PHONE HARNESS TO CABIN HARNESS	BELOW LH REAR SEAT CUSHION
JB1	42-WAY / BLACK / ENGINE MANAGEMENT HARNESS TO JUNCTION BOX HARNESS	ENGINE COMPARTMENT / LH SIDE
JB2	16-WAY / GREEN / ENGINE MANAGEMENT HARNESS TO JUNCTION BOX HARNESS (PEDAL ASSEMBLY)	BELOW INSTRUMENT PANEL / DRIVER SIDE
JB196	10-WAY / GREY / ENGINE MANAGEMENT HARNESS TO JUNCTION BOX HARNESS (PEDAL ASSEMBLY)	BELOW INSTRUMENT PANEL / DRIVER SIDE

GROUNDS

Ground	Harness	Location
G15	CA	LOWER LH 'A' POST

Refer to the front of this book for detailed information and illustrations regarding the location and identification of harnesses, relays, fuses, grounds, control modules and control module pins.

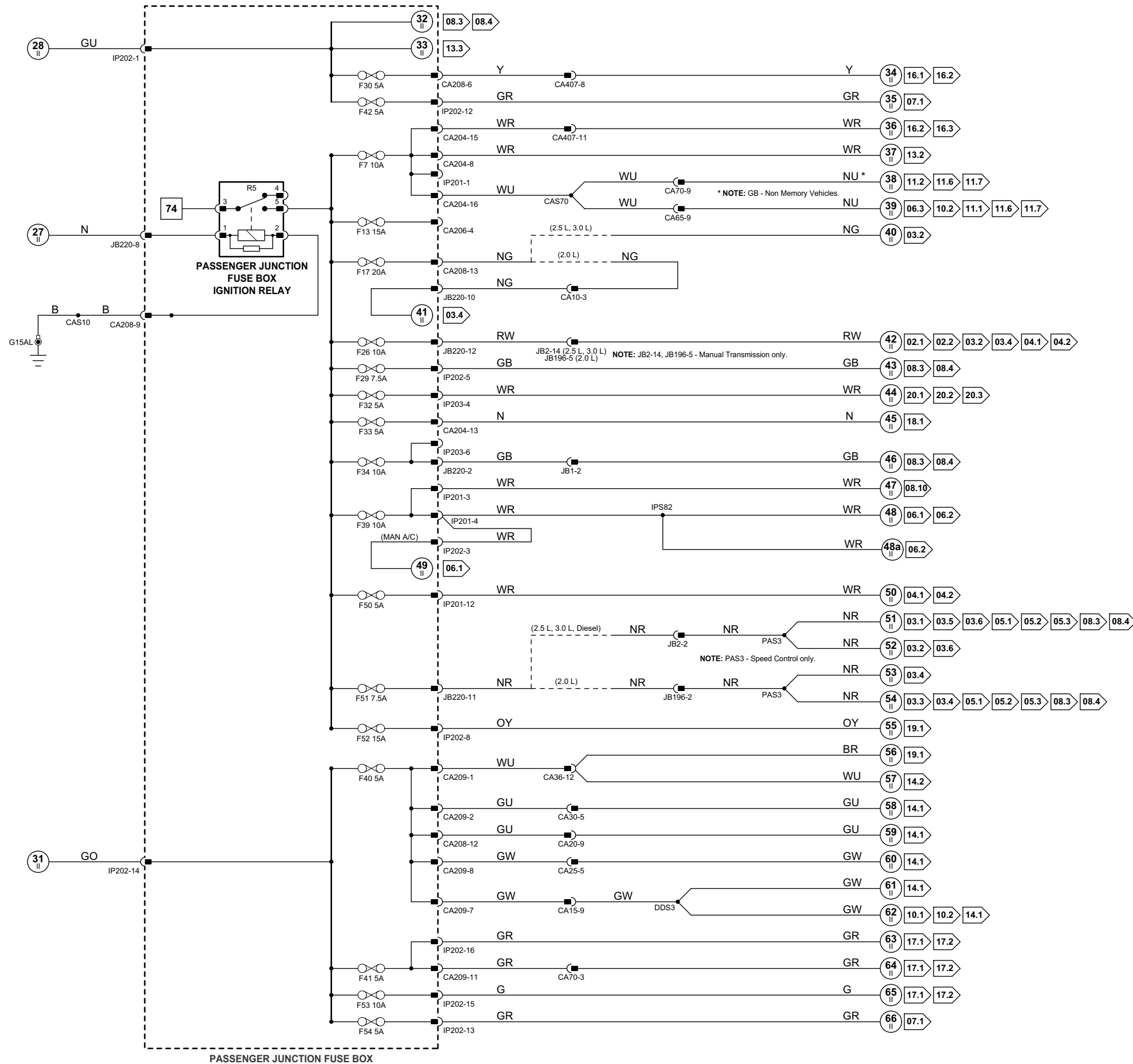


Fig. 01.7**COMPONENTS**

Component	Connector(s)	Connector Description	Location
BATTERY SAVER RELAY	-	-	PASSENGER JUNCTION FUSEBOX - R10
GENERAL ELECTRONIC MODULE	CA86	23-WAY / GREY	BEHIND INSTRUMENT PANEL / RH SIDE
	CA87	23-WAY / GREEN	
	IP5	23-WAY / BROWN	
	IP6	23-WAY / NATURAL	
	JB172	23-WAY / BLUE	
PASSENGER JUNCTION FUSEBOX	-	-	PASSENGER COMPARTMENT, FRONT BULKHEAD / LH SIDE

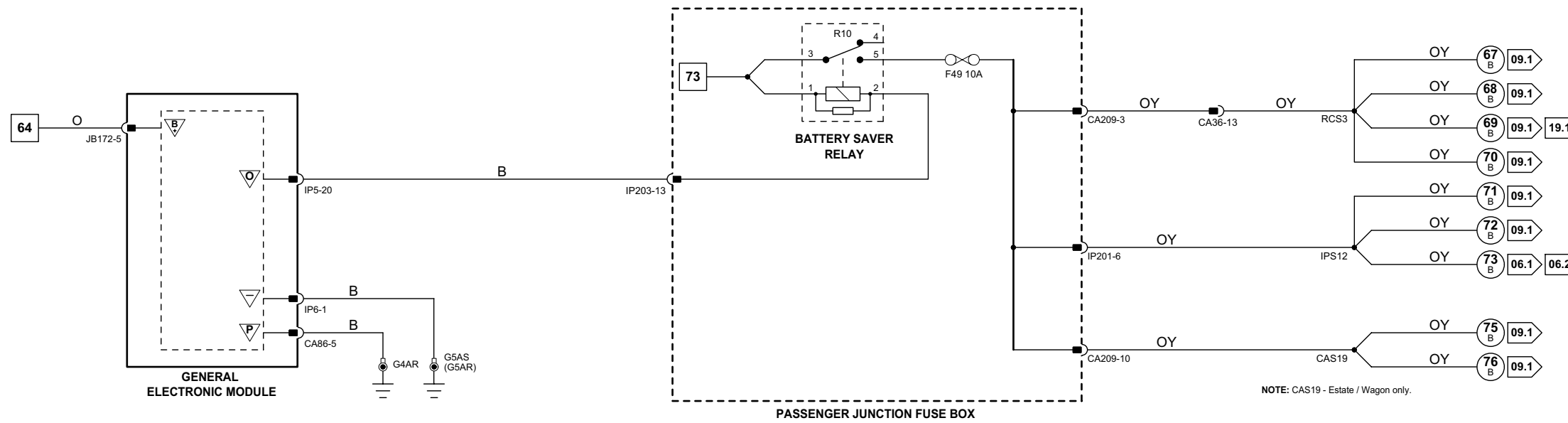
HARNESS IN-LINE CONNECTORS

Connector	Connector Description / Location	Location
CA36	16-WAY / GREEN / CABIN HARNESS TO ROOF HARNESS	LH 'A' POST / WINDSHIELD PILLAR

GROUNDS

Ground	Harness	Location
G4	CA	LOWER RH 'A' POST
G5	IP	UPPER RH 'A' POST

Refer to the front of this book for detailed information and illustrations regarding the location and identification of harnesses, relays, fuses, grounds, control modules and control module pins.



NOTE: 'Battery Saver' provides automatic switch-off of the Courtesy Lamps after 10 minutes and automatic switch-off of the Demand Lighting and Audible Warning after 30 minutes. Battery Saver is also active when GEM diagnostic mode is entered

GEM timers are started when the Ignition Key has been switched to the position I (Accessory) or 0 (Off) position. When the timers expire at 10 and 30 minutes, the feature(s) is/are switched off.

When one of the following actions is detected, all features are enabled, and the Battery Saver timer is reset:

- * The Ignition is switched to position II (run) or position III (start).
- * Any door or trunk lid becomes ajar or is opened.
- * Any unlock is activated.

101_7_4000625

Fig. 01.8

Engine Control Module – 2.0 L

	Pin	Description and Characteristic
O	EN65-69	EMS CONTROL RELAY DRIVE: TO ACTIVATE, ECM SWITCHES CIRCUIT TO GROUND

Engine Control Module – 2.5 L, 3.0 L

	Pin	Description and Characteristic
O	EN16-40	EMS CONTROL RELAY DRIVE: TO ACTIVATE, ECM SWITCHES CIRCUIT TO GROUND

COMPONENTS

Component	Connector(s)	Connector Description	Location
EMS CONTROL RELAY	-	-	POWER DISTRIBUTION FUSEBOX – R5
ENGINE CONTROL MODULE – 2.0 L	EN65	104-WAY / BLACK	ENGINE COMPARTMENT, FRONT BULKHEAD / RH SIDE
ENGINE CONTROL MODULE – 2.5 L, 3.0 L	EN16	134-WAY / BLACK	ENGINE COMPARTMENT, FRONT BULKHEAD / RH SIDE
PASSENGER JUNCTION FUSEBOX	-	-	PASSENGER COMPARTMENT, FRONT BULKHEAD / LH SIDE
POWER DISTRIBUTION FUSEBOX	-	-	ENGINE COMPARTMENT

HARNESS IN-LINE CONNECTORS

Connector	Connector Description / Location	Location
CA5	12-WAY / BLACK / FUEL TANK LINK HARNESS TO CABIN HARNESS	TOP OF FUEL TANK
CA210	2-WAY / BLACK / JUNCTION BOX HARNESS TO CABIN HARNESS	LH 'A' POST / 'A' POST TRIM
EN4	12-WAY / BLACK / ENGINE MANAGEMENT HARNESS TO FUEL INJECTION HARNESS	ENGINE COMPARTMENT / ENGINE TOP
JB1	42-WAY / BLACK / ENGINE MANAGEMENT HARNESS TO JUNCTION BOX HARNESS	ENGINE COMPARTMENT / LH SIDE
JB190	4-WAY / BLACK / JUNCTION BOX HARNESS TO COOLING FAN MODULE LINK LEAD	ENGINE COMPARTMENT / FRONT, LH SIDE

FOR CONTROL MODULE PIN-OUT INFORMATION, UNFOLD PAGE TO LEFT.

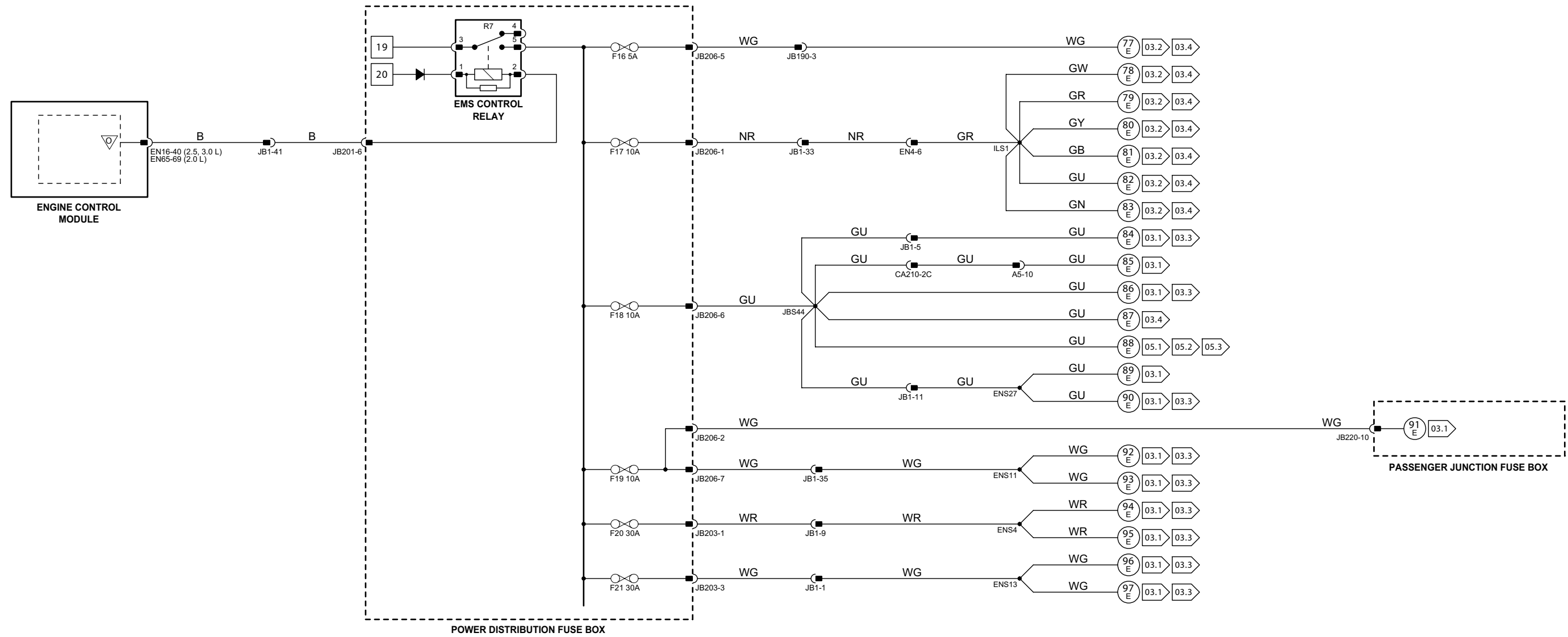
The following abbreviations are used to represent values for Control Module Pin-Out data

I	Input	PG	Power Ground	C	CAN Network	D	Serial and Encoded Data
O	Output	SS	Sensor / Signal Supply V	S	SCP Network	V	Voltage (DC)
B+	Battery Voltage	SG	Sensor / Signal Ground	D2	D2B Network	PWM	Pulse Width Modulated

CAUTION: The information on this data page is furnished to aid the user in understanding circuit operation. THIS INFORMATION SHOULD BE USED FOR REFERENCE ONLY.

NOTE: The values listed are approximately those that can be expected at the control module connector pins with all circuit connections made and all components connected and fitted.

Refer to the front of this book for detailed information and illustrations regarding the location and identification of harnesses, relays, fuses, grounds, control modules and control module pins.



Engine Control Module – Diesel

Pin	Description and Characteristic
O DL1-9	EMS CONTROL RELAY ACTIVATE: TO ACTIVATE, ECM SWITCHES CIRCUIT TO GROUND

Fig. 01.9

COMPONENTS

Component	Connector(s)	Connector Description	Location
EMS CONTROL RELAY	-	-	POWER DISTRIBUTION FUSEBOX – R5
ENGINE CONTROL MODULE – Diesel	DL1	121-WAY / BLACK	ENGINE COMPARTMENT, FRONT BULKHEAD / RH SIDE
POWER DISTRIBUTION FUSEBOX	-	-	ENGINE COMPARTMENT

HARNESS IN-LINE CONNECTORS

Connector	Connector Description / Location	Location
JB1	42-WAY / BLACK / ENGINE MANAGEMENT HARNESS TO JUNCTION BOX HARNESS	ENGINE COMPARTMENT / LH SIDE
JB190	4-WAY / BLACK / JUNCTION BOX HARNESS TO COOLING FAN MODULE LINK LEAD	ENGINE COMPARTMENT / FRONT, LH SIDE
DL2	42-WAY / BLACK / ENGINE HARNESS TO ENGINE MANAGEMENT HARNESS	ENGINE COMPARTMENT / RH SIDE

FOR CONTROL MODULE PIN-OUT INFORMATION, UNFOLD PAGE TO LEFT.

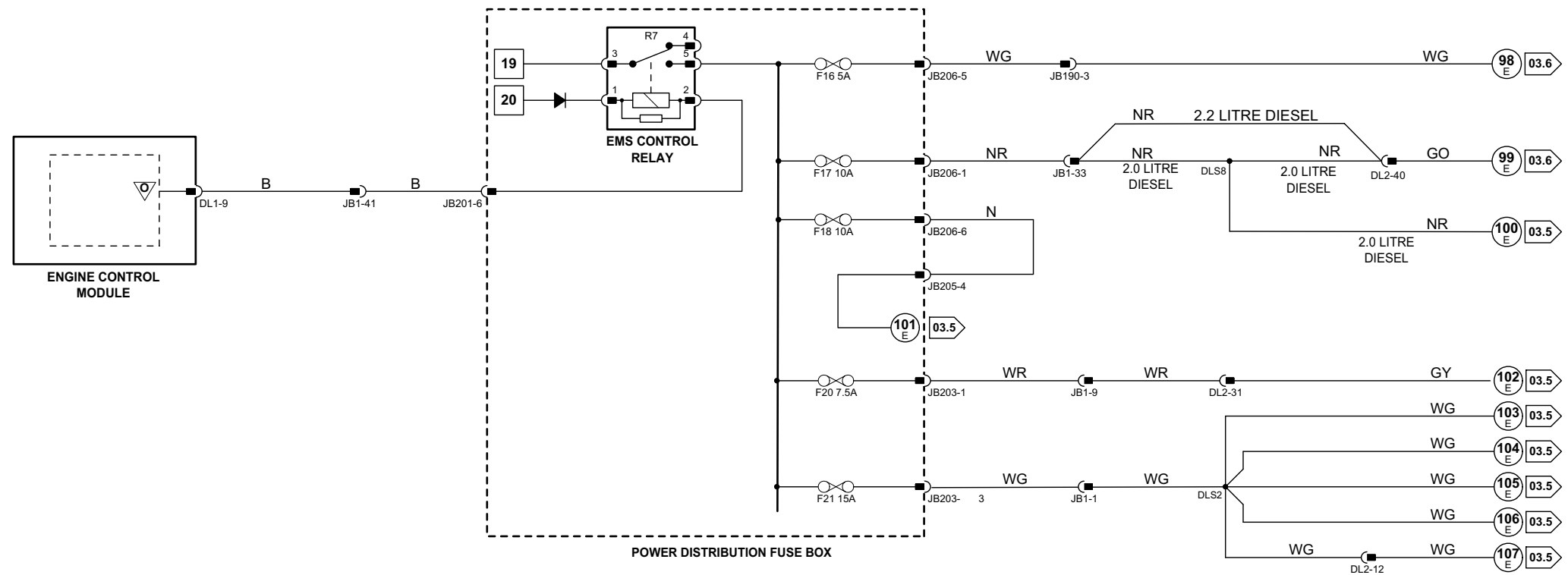
The following abbreviations are used to represent values for Control Module Pin-Out data

I	Input	PG	Power Ground	C	CAN Network	D	Serial and Encoded Data
O	Output	SS	Sensor / Signal Supply V	S	SCP Network	V	Voltage (DC)
B+	Battery Voltage	SG	Sensor / Signal Ground	D2	D2B Network	PWM	Pulse Width Modulated

CAUTION: The information on this data page is furnished to aid the user in understanding circuit operation. THIS INFORMATION SHOULD BE USED FOR REFERENCE ONLY.

NOTE: The values listed are approximately those that can be expected at the control module connector pins with all circuit connections made and all components connected and fitted.

Refer to the front of this book for detailed information and illustrations regarding the location and identification of harnesses, relays, fuses, grounds, control modules and control module pins.



01_9_4000625

1 → 6 Fig. 01.1	34 → 79 Fig. 01.3	11 → 31 Fig. 01.5	67 → 76 Fig. 01.7	98 _E → 107 _E Fig. 01.9	Input	Battery Voltage	Sensor/Signal Supply V	CAN	D2B Network
7 → 33 Fig. 01.2	1 → 10 Fig. 01.4	32 → 66 Fig. 01.6	77 → 97 Fig. 01.8		Output	Power Ground	Sensor/Signal Ground	SCP	Serial and Encoded Data

VARIANT: Diesel Engine Vehicles
 VIN RANGE: All
 DATE OF ISSUE: January 2007

Fig. 02.1

Engine Control Module – 2.5 L, 3.0 L

	Pin	Description and Characteristic
I	EN16-006	ENGINE CRANK: B+
I	EN16-031	PARK / NEUTRAL SWITCH (AUTOMATIC TRANSMISSION); NORMALLY CLOSED / B+ IN P, N
O	EN16-041	STARTER RELAY DRIVE: TO ACTIVATE, ECM SWITCHES CIRCUIT TO GROUND
O	EN16-053	GENERATOR CONTROL: VARIABLE VOLTAGE
I	EN16-065	GENERATOR FIELD RETURN SIGNAL: VARIABLE VOLTAGE BY GENERATOR OPERATING CONDITION
I	EN16-079	GENERATOR CHARGE / FAULT: B+ = NORMAL, AFTER-START SWITCH-ON; GROUND = GENERATOR FAILURE, AFTER-START SWITCH-ON
C	EN16-123	CAN -
C	EN16-124	CAN +

General Electronic Module

	Pin	Description and Characteristic
S	IP5-18	SCP -
S	IP5-19	SCP +

I	IP6-08	KEY-IN IGNITION SWITCH: B+ WHEN KEY IN
---	--------	--

Instrument Cluster

	Pin	Description and Characteristic
D	IP10-03	PATS 1: ENCODED COMMUNICATION
D	IP10-04	PATS 2: ENCODED COMMUNICATION
I	IP10-05	PATS GROUND: GROUND
O	IP10-06	PATS TRANSCIEVER POWER: B+
C	IP10-17	CAN +
C	IP10-18	CAN -
S	IP10-22	SCP +
S	IP10-23	SCP -

I	IP11-08	POWER GROUND: GROUND
I	IP11-13	IGNITION SWITCHED POWER SUPPLY (I): B+

COMPONENTS

Component	Connector(s)	Connector Description	Location
BATTERY	-	-	ENGINE COMPARTMENT
CLUTCH PEDAL SAFETY SWITCH	PA5	2-WAY / WHITE	TOP OF CLUTCH PEDAL
ENGINE CONTROL MODULE – 2.5 L, 3.0 L	EN16	134-WAY / BLACK	ENGINE COMPARTMENT, FRONT BULKHEAD / RH SIDE
GENERAL ELECTRONIC MODULE	CA86	23-WAY / GREY	BEHIND INSTRUMENT PANEL / RH SIDE
	CA87	23-WAY / GREEN	
	IP5	23-WAY / BROWN	
	IP6	23-WAY / NATURAL	
	JB172	23-WAY / BLUE	
GENERATOR – 2.0 L, 2.5 L, 3.0 L	EN49	4-WAY / BLACK	ENGINE BANK 1 / FRONT
IGNITION SWITCH	IP18	7-WAY / BLACK	STEERING COLUMN
INSTRUMENT CLUSTER	IP10	26-WAY / WHITE	INSTRUMENT PANEL
	IP11	26-WAY / WHITE	
PASSIVE ANTI-THEFT SYSTEM TRANSCIEVER	IP15	4-WAY / BLACK	STEERING COLUMN, IGNITION SWITCH
POWER DISTRIBUTION FUSEBOX	-	-	ENGINE COMPARTMENT
STARTER MOTOR – 2.0 L, 2.5 L, 3.0 L	EN700	EYELET	ENGINE BLOCK / RH SIDE
	ST2	EYELET	
STARTER RELAY	-	-	POWER DISTRIBUTION FUSEBOX – R12
TRANSMISSION RANGE SENSOR	JB156	10-WAY / BLACK	TOP OF TRANSMISSION

HARNESS IN-LINE CONNECTORS

Connector	Connector Description / Location	Location
JB1	42-WAY / BLACK / ENGINE MANAGEMENT HARNESS TO JUNCTION BOX HARNESS	ENGINE COMPARTMENT / LH SIDE
JB2	16-WAY / GREEN / ENGINE MANAGEMENT HARNESS TO JUNCTION BOX HARNESS (PEDAL ASSEMBLY)	BELOW INSTRUMENT PANEL / DRIVER SIDE
JB129	22-WAY / GREY / JUNCTION BOX HARNESS TO INSTRUMENT PANEL HARNESS	BELOW INSTRUMENT PANEL / LH SIDE
JB145	8-WAY / BLACK / ENGINE MANAGEMENT HARNESS TO JUNCTION BOX HARNESS	ENGINE COMPARTMENT / LH SIDE

GROUNDS

Ground	Harness	Location
G13	B03	BATTERY ENGINE GROUND
G16	B03	ENGINE COMPARTMENT / UNDER BATTERY TRAY
G36	IP	BEHIND INSTRUMENT PANEL / LH SIDE OF CROSS CAR BEAM
G37	IP	BEHIND INSTRUMENT PANEL / RH SIDE OF CROSS CAR BEAM

FOR CONTROL MODULE PIN-OUT INFORMATION, UNFOLD PAGE TO LEFT.

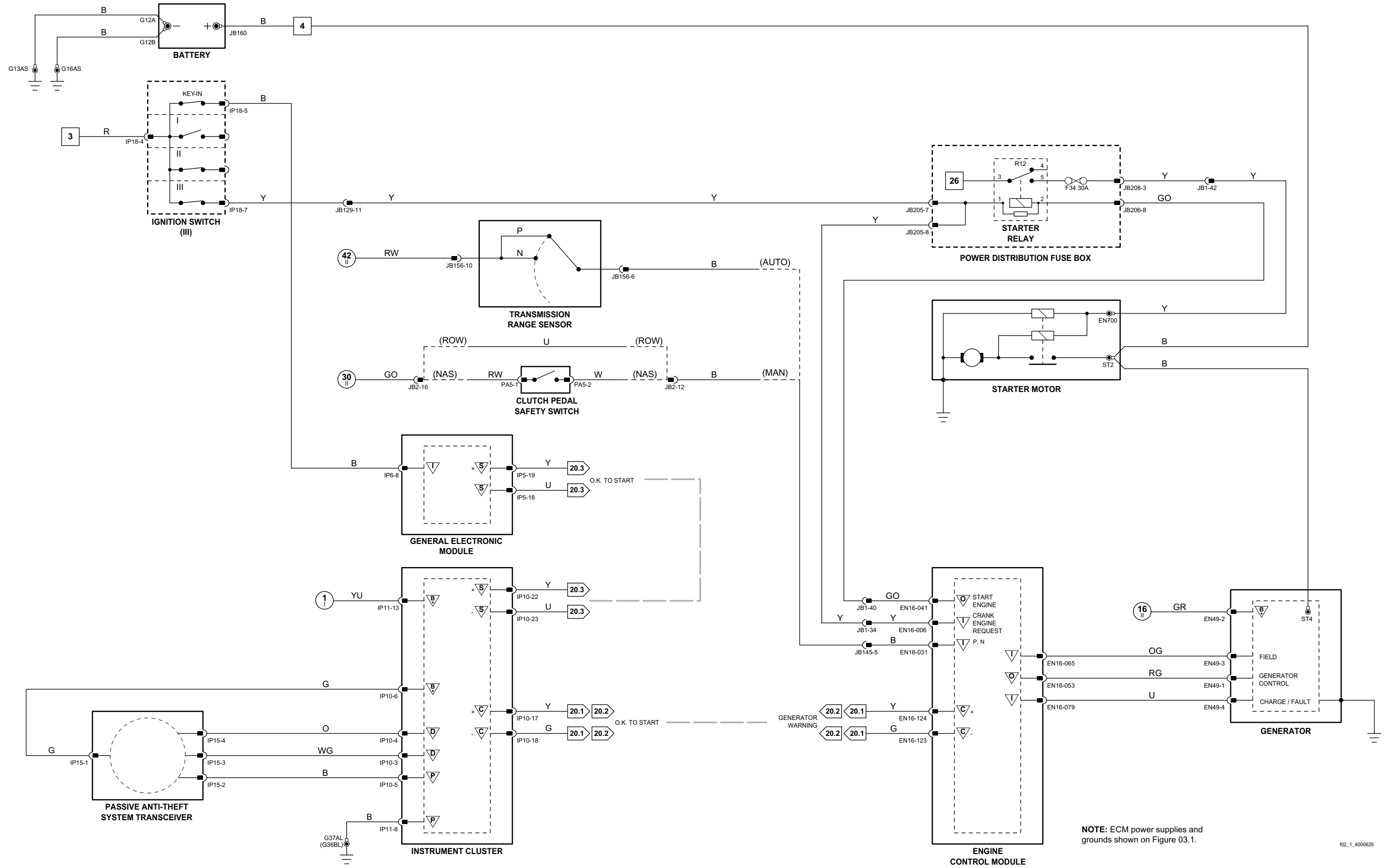
The following abbreviations are used to represent values for Control Module Pin-Out data

I	Input	PG	Power Ground	C	CAN Network	D	Serial and Encoded Data
O	Output	SS	Sensor / Signal Supply V	S	SCP Network	V	Voltage (DC)
B+	Battery Voltage	SG	Sensor / Signal Ground	D2	D2B Network	PWM	Pulse Width Modulated

CAUTION: The information on this data page is furnished to aid the user in understanding circuit operation. THIS INFORMATION SHOULD BE USED FOR REFERENCE ONLY.

NOTE: The values listed are approximately those that can be expected at the control module connector pins with all circuit connections made and all components connected and fitted.

Refer to the front of this book for detailed information and illustrations regarding the location and identification of harnesses, relays, fuses, grounds, control modules and control module pins.



NOTE: ECM power supplies and grounds shown on Figure 03.1.

002_1_4000625

1 → 6 Fig. 01.1	34 → 79 Fig. 01.3	11 → 31 Fig. 01.5	67 → 76 Fig. 01.7	98 → 107 Fig. 01.9	Input	Battery Voltage	Sensor/Signal Supply V	CAN	D2B Network
7 → 33 Fig. 01.2	1 → 10 Fig. 01.4	32 → 66 Fig. 01.6	77 → 97 Fig. 01.8		Output	Power Ground	Sensor/Signal Ground	SCP	Serial and Encoded Data

VARIANT: 2.5 L & 3.0 L Vehicles
 VIN RANGE: All
 DATE OF ISSUE: January 2007

Engine Control Module – 2.0 L

	Pin	Description and Characteristic
I	EN65-006	ENGINE CRANK: B+
O	EN65-008	GENERATOR FIELD RETURN SIGNAL: VARIABLE VOLTAGE BY GENERATOR OPERATING CONDITION
I	EN65-035	GENERATOR CHARGE / FAULT: B+ = NORMAL, AFTER-START SWITCH-ON; GROUND = GENERATOR FAILURE, AFTER-START SWITCH-ON
I	EN65-043	GENERATOR CONTROL: VARIABLE VOLTAGE
O	EN65-068	STARTER RELAY DRIVE: TO ACTIVATE, ECM SWITCHES CIRCUIT TO GROUND
I	EN65-085	PARK / NEUTRAL SWITCH (AUTOMATIC TRANSMISSION); NORMALLY CLOSED / GROUND WHEN ACTIVATED
C	EN65-088	CAN -
C	EN65-089	CAN +

General Electronic Module

	Pin	Description and Characteristic
S	IP5-18	SCP -
S	IP5-19	SCP +

I	IP6-08	KEY-IN IGNITION SWITCH: B+ WHEN KEY IN
---	--------	--

Instrument Cluster

	Pin	Description and Characteristic
D	IP10-03	PATS 1: ENCODED COMMUNICATION
D	IP10-04	PATS 2: ENCODED COMMUNICATION
I	IP10-05	PATS GROUND: GROUND
O	IP10-06	PATS TRANSCEIVER POWER: B+
C	IP10-17	CAN +
C	IP10-18	CAN -
S	IP10-22	SCP +
S	IP10-23	SCP -
I	IP11-08	POWER GROUND: GROUND
I	IP11-13	IGNITION SWITCHED POWER SUPPLY (I): B+

Fig. 02.2

COMPONENTS

Component	Connector(s)	Connector Description	Location
BATTERY	-	-	ENGINE COMPARTMENT
ENGINE CONTROL MODULE – 2.0 L	EN65	104-WAY / BLACK	ENGINE COMPARTMENT, FRONT BULKHEAD / RH SIDE
GENERAL ELECTRONIC MODULE	CA86	23-WAY / GREY	BEHIND INSTRUMENT PANEL / RH SIDE
	CA87	23-WAY / GREEN	
	IP5	23-WAY / BROWN	
	IP6	23-WAY / NATURAL	
	JB172	23-WAY / BLUE	
GENERATOR – 2.0 L, 2.5 L, 3.0 L	EN49	4-WAY / BLACK	ENGINE BANK 1 / FRONT
IGNITION SWITCH	IP18	7-WAY / BLACK	STEERING COLUMN
INSTRUMENT CLUSTER	IP10	26-WAY / WHITE	INSTRUMENT PANEL
	IP11	26-WAY / WHITE	
PASSIVE ANTI-THEFT SYSTEM TRANSCEIVER	IP15	4-WAY / BLACK	STEERING COLUMN, IGNITION SWITCH
POWER DISTRIBUTION FUSEBOX	-	-	ENGINE COMPARTMENT
STARTER MOTOR – 2.0 L, 2.5 L, 3.0 L	EN700	EYELET	ENGINE BLOCK / RH SIDE
	ST2	EYELET	
STARTER RELAY	-	-	POWER DISTRIBUTION FUSEBOX – R12
TRANSMISSION RANGE SENSOR	JB156	10-WAY / BLACK	TOP OF TRANSMISSION

HARNESS IN-LINE CONNECTORS

Connector	Connector Description / Location	Location
JB1	42-WAY / BLACK / ENGINE MANAGEMENT HARNESS TO JUNCTION BOX HARNESS	ENGINE COMPARTMENT / LH SIDE
JB129	22-WAY / GREY / JUNCTION BOX HARNESS TO INSTRUMENT PANEL HARNESS	BELOW INSTRUMENT PANEL / LH SIDE

GROUNDS

Ground	Harness	Location
G13	B03	BATTERY ENGINE GROUND
G16	B03	ENGINE COMPARTMENT / UNDER BATTERY TRAY
G36	IP	BEHIND INSTRUMENT PANEL / LH SIDE OF CROSS CAR BEAM
G37	IP	BEHIND INSTRUMENT PANEL / RH SIDE OF CROSS CAR BEAM

FOR CONTROL MODULE PIN-OUT INFORMATION, UNFOLD PAGE TO LEFT.

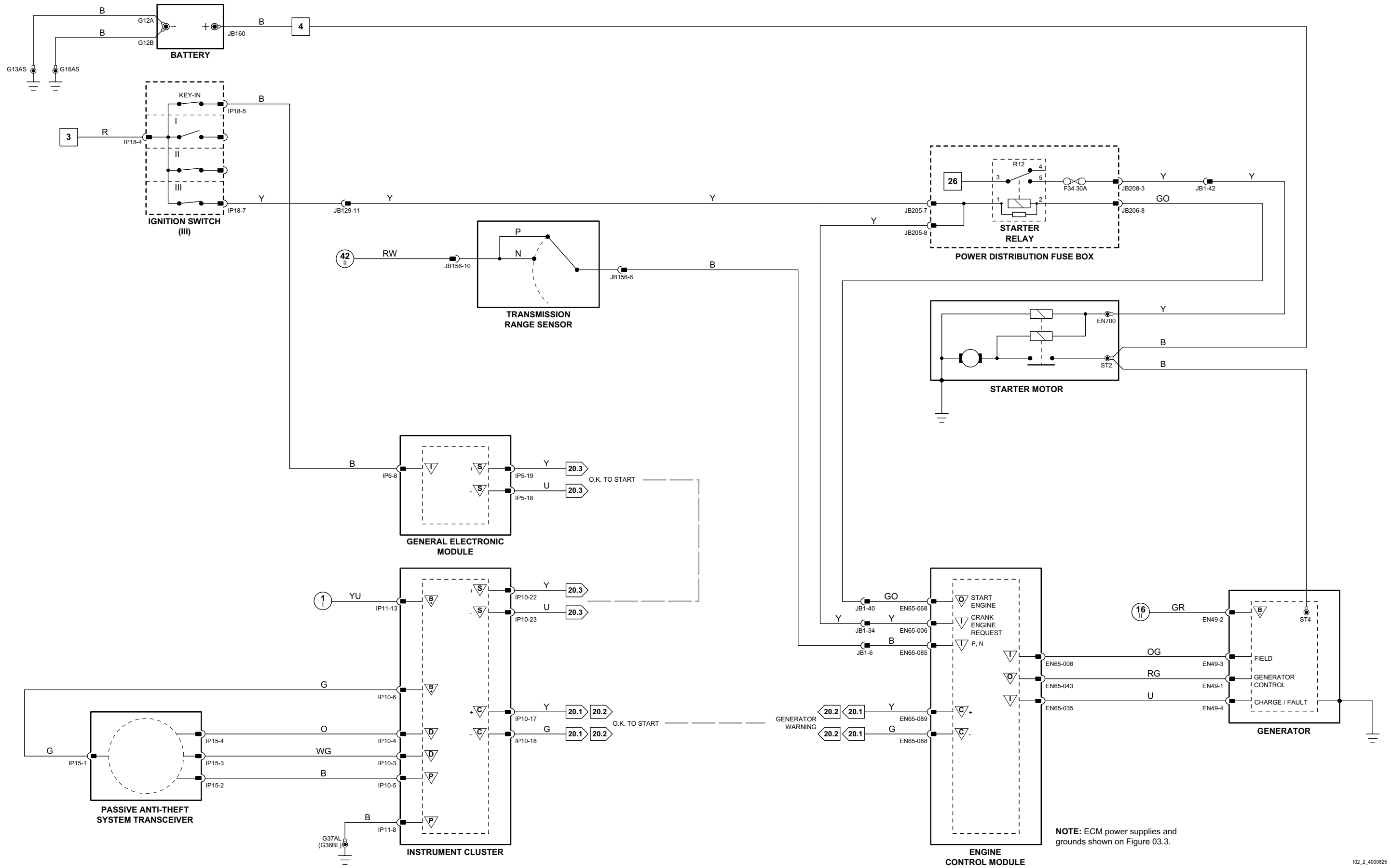
The following abbreviations are used to represent values for Control Module Pin-Out data

I	Input	PG	Power Ground	C	CAN Network	D	Serial and Encoded Data
O	Output	SS	Sensor / Signal Supply V	S	SCP Network	V	Voltage (DC)
B+	Battery Voltage	SG	Sensor / Signal Ground	D2	D2B Network	PWM	Pulse Width Modulated

CAUTION: The information on this data page is furnished to aid the user in understanding circuit operation. THIS INFORMATION SHOULD BE USED FOR REFERENCE ONLY.

NOTE: The values listed are approximately those that can be expected at the control module connector pins with all circuit connections made and all components connected and fitted.

Refer to the front of this book for detailed information and illustrations regarding the location and identification of harnesses, relays, fuses, grounds, control modules and control module pins.



102_2_4000625

1 → 6 Fig. 01.1	34 → 79 Fig. 01.3	11 → 31 Fig. 01.5	67 → 76 Fig. 01.7	98 → 107 Fig. 01.9	Input	Battery Voltage	Sensor/Signal Supply V	CAN	D2B Network
7 → 33 Fig. 01.2	1 → 10 Fig. 01.4	32 → 66 Fig. 01.6	77 → 97 Fig. 01.8		Output	Power Ground	Sensor/Signal Ground	SCP	Serial and Encoded Data

VARIANT: 2.0 L Gasoline Engine Vehicles
VIN RANGE: All
DATE OF ISSUE: January 2007

Engine Control Module –Diesel

	Pin	Description and Characteristic
O	DL1-021	STARTER RELAY DRIVE: TO ACTIVATE, ECM SWITCHES CIRCUIT TO GROUND
O	DL1-047	GENERATOR MONITOR
C	DL1-054	CAN +
C	DL1-073	CAN -
O	DL1-112	GENERATOR COMMON

General Electronic Module

	Pin	Description and Characteristic
S	IP5-18	SCP -
S	IP5-19	SCP +
I	IP6-08	KEY-IN IGNITION SWITCH: B+ WHEN KEY IN

Instrument Cluster

	Pin	Description and Characteristic
D	IP10-03	PATS 1: ENCODED COMMUNICATION
D	IP10-04	PATS 2: ENCODED COMMUNICATION
I	IP10-05	PATS GROUND: GROUND
O	IP10-06	PATS TRANSCEIVER POWER: B+
C	IP10-17	CAN +
C	IP10-18	CAN -
S	IP10-22	SCP +
S	IP10-23	SCP -
I	IP11-08	POWER GROUND: GROUND
I	IP11-13	IGNITION SWITCHED POWER SUPPLY (I): B+

Fig. 02.3

COMPONENTS

Component	Connector(s)	Connector Description	Location
BATTERY	-	-	ENGINE COMPARTMENT
ENGINE CONTROL MODULE - Diesel	DL1	121-WAY / BLACK	ENGINE COMPARTMENT, FRONT BULKHEAD / RH SIDE
GENERAL ELECTRONIC MODULE	CA86	23-WAY / GREY	BEHIND INSTRUMENT PANEL / RH SIDE
	CA87	23-WAY / GREEN	
	IP5	23-WAY / BROWN	
	IP6	23-WAY / NATURAL	
	JB172	23-WAY / BLUE	
GENERATOR - Diesel	DE2	4-WAY / BLACK	ENGINE BLOCK / RH SIDE / FRONT
IGNITION SWITCH	IP18	7-WAY / BLACK	STEERING COLUMN
INSTRUMENT CLUSTER	IP10	26-WAY / WHITE	INSTRUMENT PANEL
	IP11	26-WAY / WHITE	
PASSIVE ANTI-THEFT SYSTEM TRANSCEIVER	IP15	4-WAY / BLACK	STEERING COLUMN, IGNITION SWITCH
POWER DISTRIBUTION FUSEBOX	-	-	ENGINE COMPARTMENT
STARTER MOTOR - Diesel	DL8	EYELET	ENGINE BLOCK / LH SIDE
	ST2	EYELET	
STARTER RELAY	-	-	POWER DISTRIBUTION FUSEBOX - R12

HARNES IN-LINE CONNECTORS

Connector	Connector Description / Location	Location
DL2	42-WAY / BLACK / ENGINE HARNESS TO ENGINE MANAGEMENT HARNESS	ENGINE COMPARTMENT / RH SIDE
JB1	42-WAY / BLACK / ENGINE MANAGEMENT HARNESS TO JUNCTION BOX HARNESS	ENGINE COMPARTMENT / LH SIDE
JB129	22-WAY / GREY / JUNCTION BOX HARNESS TO INSTRUMENT PANEL HARNESS	BELOW INSTRUMENT PANEL / LH SIDE

GROUNDS

Ground	Harness	Location
G13	B03	BATTERY ENGINE GROUND
G16	B03	ENGINE COMPARTMENT / UNDER BATTERY TRAY
G36	IP	BEHIND INSTRUMENT PANEL / LH SIDE OF CROSS CAR BEAM
G37	IP	BEHIND INSTRUMENT PANEL / RH SIDE OF CROSS CAR BEAM

FOR CONTROL MODULE PIN-OUT INFORMATION, UNFOLD PAGE TO LEFT.

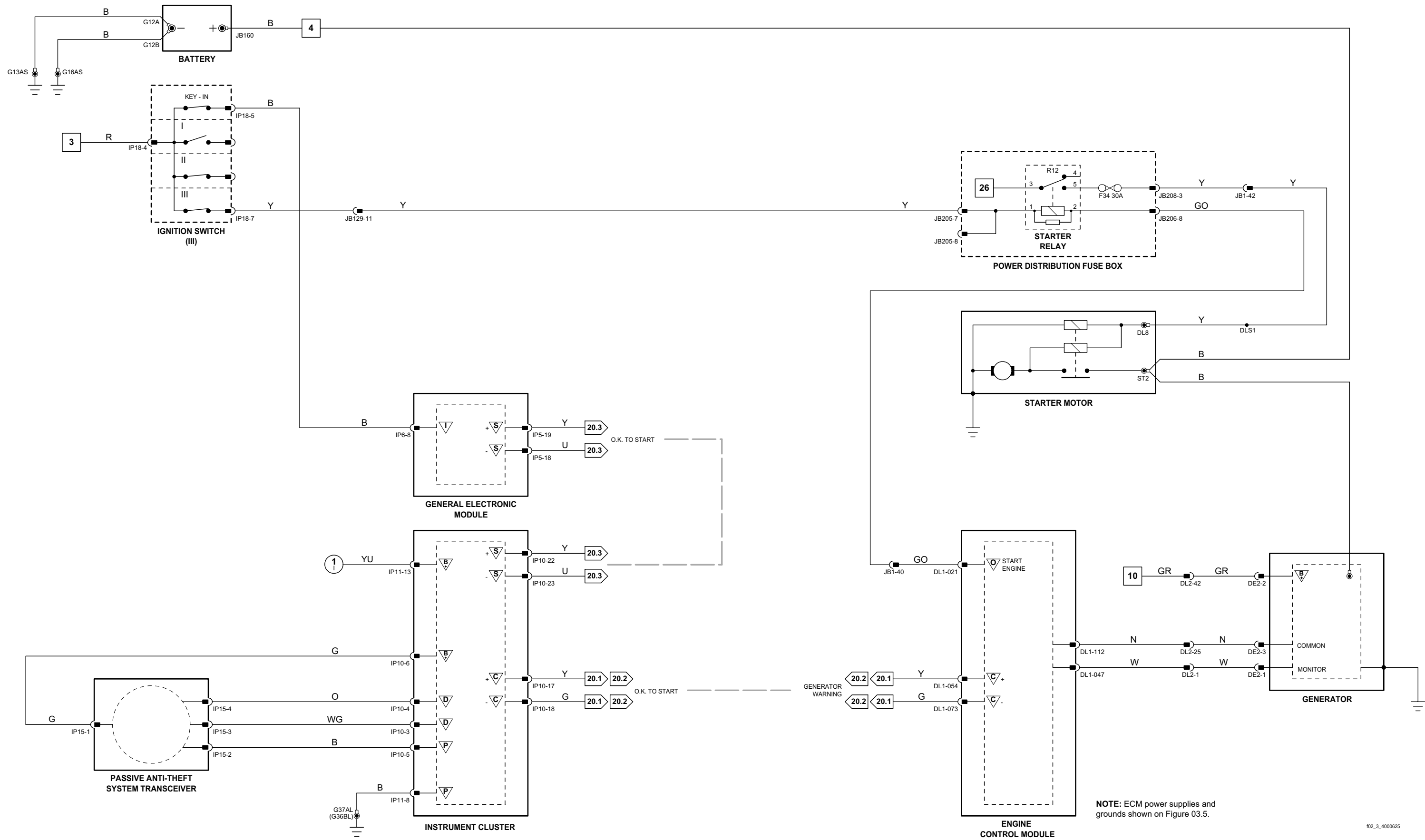
The following abbreviations are used to represent values for Control Module Pin-Out data

I	Input	PG	Power Ground	C	CAN Network	D	Serial and Encoded Data
O	Output	SS	Sensor / Signal Supply V	S	SCP Network	V	Voltage (DC)
B+	Battery Voltage	SG	Sensor / Signal Ground	D2	D2B Network	PWM	Pulse Width Modulated

CAUTION: The information on this data page is furnished to aid the user in understanding circuit operation. THIS INFORMATION SHOULD BE USED FOR REFERENCE ONLY.

NOTE: The values listed are approximately those that can be expected at the control module connector pins with all circuit connections made and all components connected and fitted.

Refer to the front of this book for detailed information and illustrations regarding the location and identification of harnesses, relays, fuses, grounds, control modules and control module pins.



02_3_4000625

1 → 6 Fig. 01.1	34 → 79 Fig. 01.3	11 → 31 Fig. 01.5	67 → 76 Fig. 01.7	98 → 107 Fig. 01.9	Input	Battery Voltage	Sensor/Signal Supply V	CAN	D2B Network
7 → 33 Fig. 01.2	1 → 10 Fig. 01.4	32 → 66 Fig. 01.6	77 → 97 Fig. 01.8		Output	Power Ground	Sensor/Signal Ground	SCP	Serial and Encoded Data

VARIANT: Diesel Engine Vehicles
 VIN RANGE: All
 DATE OF ISSUE: January 2007

Engine Control Module – 2.5 L, 3.0 L

Pin	Description and Characteristic
O	EN16-001 HO2 SENSOR HEATER CONTROL – 1/1: PWM, 1 CYCLE PER 128 mS, VARIABLE DUTY CYCLE
O	EN16-002 HO2 SENSOR HEATER CONTROL – 1/1: PWM, 1 CYCLE PER 128 mS, VARIABLE DUTY CYCLE
PG	EN16-004 POWER GROUND 1: GROUND
PG	EN16-005 POWER GROUND 2: GROUND
I	EN16-006 ENGINE CRANK: B+
I	EN16-007 IGNITION ON: B+
I	EN16-008 BRAKE ON / OFF SWITCH: NORMALLY OPEN / B+ WHEN ACTIVATED
I	EN16-010 INERTIA SWITCH: NORMALLY CLOSED / OPEN CIRCUIT WHEN ACTIVATED
SS	EN16-012 SENSOR POWER SUPPLY 1: NOMINAL 5 V
SS	EN16-013 SENSOR POWER SUPPLY 2: NOMINAL 5 V
SG	EN16-017 SMALL SIGNAL GROUND 1: GROUND
SG	EN16-018 SMALL SIGNAL GROUND 2: GROUND
SG	EN16-019 SENSOR GROUND 1: GROUND
SG	EN16-020 SENSOR GROUND 2: GROUND
B+	EN16-022 BATTERY POWER SUPPLY: B+
B+	EN16-023 EMS SWITCHED POWER SUPPLY 1: B+
B+	EN16-024 EMS SWITCHED POWER SUPPLY 2: B+
SG	EN16-029 HO2 SENSOR HEATER GROUND – 1/1: GROUND
SG	EN16-030 HO2 SENSOR HEATER GROUND – 1/1: GROUND
I	EN16-031 (MANUAL TRANSMISSION) CLUTCH PEDAL SAFETY SWITCH: NORMALLY OPEN / B+ WHEN ACTIVATED
I	EN16-031 (AUTOMATIC TRANSMISSION) PARK / NEUTRAL SWITCH: NORMALLY CLOSED / B+ IN P, N
I	EN16-036 CRANKSHAFT SENSOR SIGNAL: PULSED SIGNAL, 70 PULSES PER ENGINE CYCLE
SG	EN16-037 CRANKSHAFT SENSOR SIGNAL GROUND: GROUND
O	EN16-038 INTAKE MANIFOLD TUNING VALVE SOLENOID DRIVE – 1 / BOTTOM: GROUND WHEN ACTIVATED
O	EN16-039 INTAKE MANIFOLD TUNING VALVE SOLENOID DRIVE – 2 / TOP: GROUND WHEN ACTIVATED
O	EN16-040 EMS CONTROL RELAY DRIVE: TO ACTIVATE, ECM SWITCHES CIRCUIT TO GROUND
O	EN16-041 STARTER RELAY DRIVE: TO ACTIVATE, ECM SWITCHES CIRCUIT TO GROUND
I	EN16-044 MASS AIR FLOW SENSOR SIGNAL: NOMINAL 0 – 5 V BY ENGINE OPERATING CONDITION
SG	EN16-045 MASS AIR FLOW SENSOR GROUND: GROUND
SG	EN16-046 MASS AIR FLOW SENSOR GROUND: GROUND
I	EN16-050 ENGINE FUEL TEMPERATURE SENSOR SIGNAL, NOMINAL 0 – 5 V: NTC SENSOR – VOLTAGE DECREASES AS TEMPERATURE INCREASES
O	EN16-052 THROTTLE MOTOR RELAY DRIVE: TO ACTIVATE, ECM SWITCHES CIRCUIT TO GROUND
O	EN16-053 GENERATOR CONTROL: VARIABLE VOLTAGE
SG	EN16-054 THROTTLE MOTOR GROUND: GROUND
O	EN16-055 HO2 SENSOR HEATER CONTROL – 2/1: PWM, 1 CYCLE PER 128 mS, VARIABLE DUTY CYCLE
O	EN16-056 HO2 SENSOR HEATER CONTROL – 2/1: PWM, 1 CYCLE PER 128 mS, VARIABLE DUTY CYCLE
I	EN16-065 GENERATOR FIELD RETURN SIGNAL: VARIABLE VOLTAGE BY GENERATOR OPERATING CONDITION
O	EN16-066 EVAP CANISTER PURGE VALVE DRIVE: PWM, 10 Hz, POSITIVE DUTY CYCLE RANGE 0.04% – 100%
O	EN16-067 EVAP CANISTER CLOSE VALVE DRIVE: TO CLOSE, ECM SWITCHES CIRCUIT TO GROUND
I	EN16-068 BANK 2 CAMSHAFT SENSOR SIGNAL: PULSED SIGNAL, 4 PULSES PER ENGINE CYCLE
SG	EN16-069 BANK 2 CAMSHAFT SENSOR GROUND: GROUND
I	EN16-070 ENGINE COOLANT TEMPERATURE SENSOR SIGNAL, NOMINAL 0 – 5 V: NTC SENSOR – VOLTAGE DECREASES AS TEMPERATURE INCREASES
I	EN16-071 INTAKE AIR TEMPERATURE SENSOR SIGNAL, NOMINAL 0 – 5 V: NTC SENSOR – VOLTAGE DECREASES AS TEMPERATURE INCREASES
I	EN16-073 INJECTION PRESSURE SENSOR SIGNAL, NOMINAL 0 – 5 V: POTENTIOMETER – VOLTAGE DECREASES AS PRESSURE INCREASES
I	EN16-075 THROTTLE POSITION SENSOR 1 SIGNAL: IDLE = 0.74 V; FULL THROTTLE = 3.97 V
I	EN16-076 THROTTLE POSITION SENSOR 2 SIGNAL: IDLE = 1.65 V; FULL THROTTLE = 4.20 V
I	EN16-078 ENGINE OIL TEMPERATURE SENSOR SIGNAL, NOMINAL 0 – 5 V: NTC SENSOR – VOLTAGE DECREASES AS TEMPERATURE INCREASES
I	EN16-079 GENERATOR CHARGE / FAULT: B+ = NORMAL, AFTER-START SWITCH-ON; GROUND = GENERATOR FAILURE, AFTER-START SWITCH-ON
O	EN16-080 THROTTLE MOTOR DRIVE: B+ TO ACTIVATE MOTOR
SG	EN16-081 HO2 SENSOR HEATER GROUND – 2/1: GROUND
SG	EN16-082 HO2 SENSOR HEATER GROUND – 2/1: GROUND
I	EN16-083 HO2 SENSOR 1/1 SIGNAL: VARIABLE CURRENT
I	EN16-084 HO2 SENSOR 1/1 SIGNAL: CONSTANT CURRENT
SG	EN16-091 HO2 SENSOR HEATERS 1/2, 2/2 GROUND: GROUND
O	EN16-092 HO2 SENSOR HEATER CONTROL – 1/2: PWM, 1 CYCLE PER 258 mS, POSITIVE DUTY CYCLE RANGE 0 mS = 0%, 77 mS = 30%, 256 mS = 100%
O	EN16-093 HO2 SENSOR HEATER CONTROL – 2/2: PWM, 1 CYCLE PER 256 mS, POSITIVE DUTY CYCLE RANGE 0 mS = 0%, 77 mS = 30%, 256 mS = 100%
I	EN16-094 BANK 1 CAMSHAFT SENSOR SIGNAL: PULSED SIGNAL, 4 PULSES PER ENGINE CYCLE
SG	EN16-095 BANK 1 CAMSHAFT SENSOR GROUND: GROUND
I	EN16-098 KNOCK SENSOR SIGNAL: PULSED SIGNAL
SG	EN16-100 SENSOR SHIELD: GROUND
I	EN16-102 ACCELERATOR PEDAL POSITION SENSOR 1 SIGNAL: FOOT OFF = 0.97 V; FULLY DEPRESSED = 3.33 V
I	EN16-103 ACCELERATOR PEDAL POSITION SENSOR 2 SIGNAL: FOOT OFF = 3.97 V; FULLY DEPRESSED = 0.84 V
I	EN16-104 FUEL TANK PRESSURE SENSOR SIGNAL, NOMINAL 0 – 5 V: VOLTAGE DECREASES AS PRESSURE INCREASES
D	EN16-105 SERIAL DATA LINK: SERIAL COMMUNICATION
O	EN16-106 THROTTLE MOTOR DRIVE: B+ TO ACTIVATE MOTOR
I	EN16-107 HO2 SENSOR 2/1 SIGNAL: VARIABLE CURRENT
I	EN16-108 HO2 SENSOR 2/1 SIGNAL: CONSTANT CURRENT
O	EN16-109 BANK 1 VVT SOLENOID VALVE: PWM, 300 Hz, POSITIVE DUTY CYCLE RANGE 0% – 100%
O	EN16-110 BANK 2 VVT SOLENOID VALVE: PWM, 300 Hz, POSITIVE DUTY CYCLE RANGE 0% – 100%
SG	EN16-111 BANK 1 FUEL INJECTORS (1, 3, 5) GROUND: GROUND
SG	EN16-116 BANK 2 FUEL INJECTORS (2, 4, 6) GROUND: GROUND
C	EN16-123 CAN –
C	EN16-124 CAN +
I	EN16-127 MAP SENSOR SIGNAL, NOMINAL 0 – 5 V: VOLTAGE INCREASES AS MANIFOLD ABSOLUTE PRESSURE INCREASES
I	EN16-128 HO2 SENSOR 1/2 SIGNAL, NOMINAL 1 V SWING: 0.1 – 0.9 V SWING
I	EN16-129 HO2 SENSOR 2/2 SIGNAL, NOMINAL 1 V SWING: 0.1 – 0.9 V SWING
SG	EN16-130 HO2 SENSORS GROUND: GROUND
B+	EN16-134 THROTTLE MOTOR POWER SUPPLY: B+ WHEN RELAY ACTIVATED

The following abbreviations are used to represent values for Control Module Pin-Out data

I	Input	PG	Power Ground	C	CAN Network	D	Serial and Encoded Data
O	Output	SS	Sensor / Signal Supply V	S	SCP Network	V	Voltage (DC)
B+	Battery Voltage	SG	Sensor / Signal Ground	D2	D2B Network	PWM	Pulse Width Modulated

CAUTION: The information on this data page is furnished to aid the user in understanding circuit operation. THIS INFORMATION SHOULD BE USED FOR REFERENCE ONLY.

NOTE: The values listed are approximately those that can be expected at the control module connector pins with all circuit connections made and all components connected and fitted.

Fig. 03.1

COMPONENTS

Component	Connector(s)	Connector Description	Location
APP SENSOR – 2.5 L, 3.0 L	PA1	6-WAY / BLACK	ABOVE ACCELERATOR PEDAL
BRAKE ON / OFF SWITCH	PA3	3-WAY / BLACK	TOP OF BRAKE PEDAL
CKP SENSOR – 2.0 L, 2.5 L, 3.0 L	EN12	2-WAY / BLACK	ADJACENT TO ENGINE CRANKSHAFT PULLEY
CMP SENSOR 1 – 2.0 L, 2.5 L, 3.0 L	EN43	2-WAY / BLACK	BANK 1 CYLINDER HEAD, FRONT
CMP SENSOR 2 – 2.0 L, 2.5 L, 3.0 L	EN33	2-WAY / BLACK	BANK 2 CYLINDER HEAD, FRONT
ECT SENSOR	EN18	2-WAY / BLACK	ENGINE VEE, FRONT
EFT SENSOR – 2.5 L, 3.0 L	IL8	2-WAY / BLACK	FUEL RAIL, FRONT
ENGINE CONTROL MODULE – 2.5 L, 3.0 L	EN16	134-WAY / BLACK	ENGINE COMPARTMENT, FRONT BULKHEAD / RH SIDE
EOT SENSOR	EN25	2-WAY / GREY	ADJACENT TO ENGINE OIL FILTER
EVAP CANISTER CLOSE VALVE	FT5	2-WAY / BLACK	REARWARD OF FUEL TANK
EVAP CANISTER PURGE VALVE	JB170	2-WAY / BLACK	ENGINE COMPARTMENT BULKHEAD
FTP SENSOR	FT7	3-WAY / BLACK	TOP OF FUEL TANK
HO2 SENSOR DOWNSTREAM 1/2	EN14	4-WAY / BLACK	BANK 1 EXHAUST
HO2 SENSOR DOWNSTREAM 2/2	EN9	4-WAY / BLACK	BANK 2 EXHAUST
HO2 SENSOR UPSTREAM 1/1	EN37	4-WAY / GREY	BANK 1 EXHAUST
HO2 SENSOR UPSTREAM 2/1	EN32	4-WAY / GREY	BANK 2 EXHAUST
IMT SOLENOID VALVE 1	EN999	2-WAY / BLACK	INTAKE MANIFOLD BOTTOM
IMT SOLENOID VALVE 2	EN998	2-WAY / BLACK	INTAKE MANIFOLD TOP
IP SENSOR – 2.5 L, 3.0 L	IL7	2-WAY / BLACK	FUEL RAIL REAR
KNOCK SENSOR – 2.0 L, 2.5 L, 3.0 L	EN23	2-WAY / BLACK	ENGINE VEE
MAF SENSOR – 2.0 L, 2.5 L, 3.0 L	EN6	5-WAY / BLACK	ENGINE AIR INTAKE DUCT
MAP SENSOR	EN8	4-WAY / BLACK	INTAKE MANIFOLD, REAR
PASSENGER JUNCTION FUSEBOX	–	–	PASSENGER COMPARTMENT, FRONT BULKHEAD / LH SIDE
THROTTLE MOTOR RELAY	–	–	PASSENGER JUNCTION FUSEBOX – R7
THROTTLE BODY – 2.5 L, 3.0 L	EN95	6-WAY / BLACK	THROTTLE BODY
VVT SOLENOID VALVE 1	EN61	2-WAY / BLACK	BANK 1 CYLINDER HEAD
VVT SOLENOID VALVE 2	EN42	2-WAY / BLACK	BANK 2 CYLINDER HEAD

HARNES IN-LINE CONNECTORS

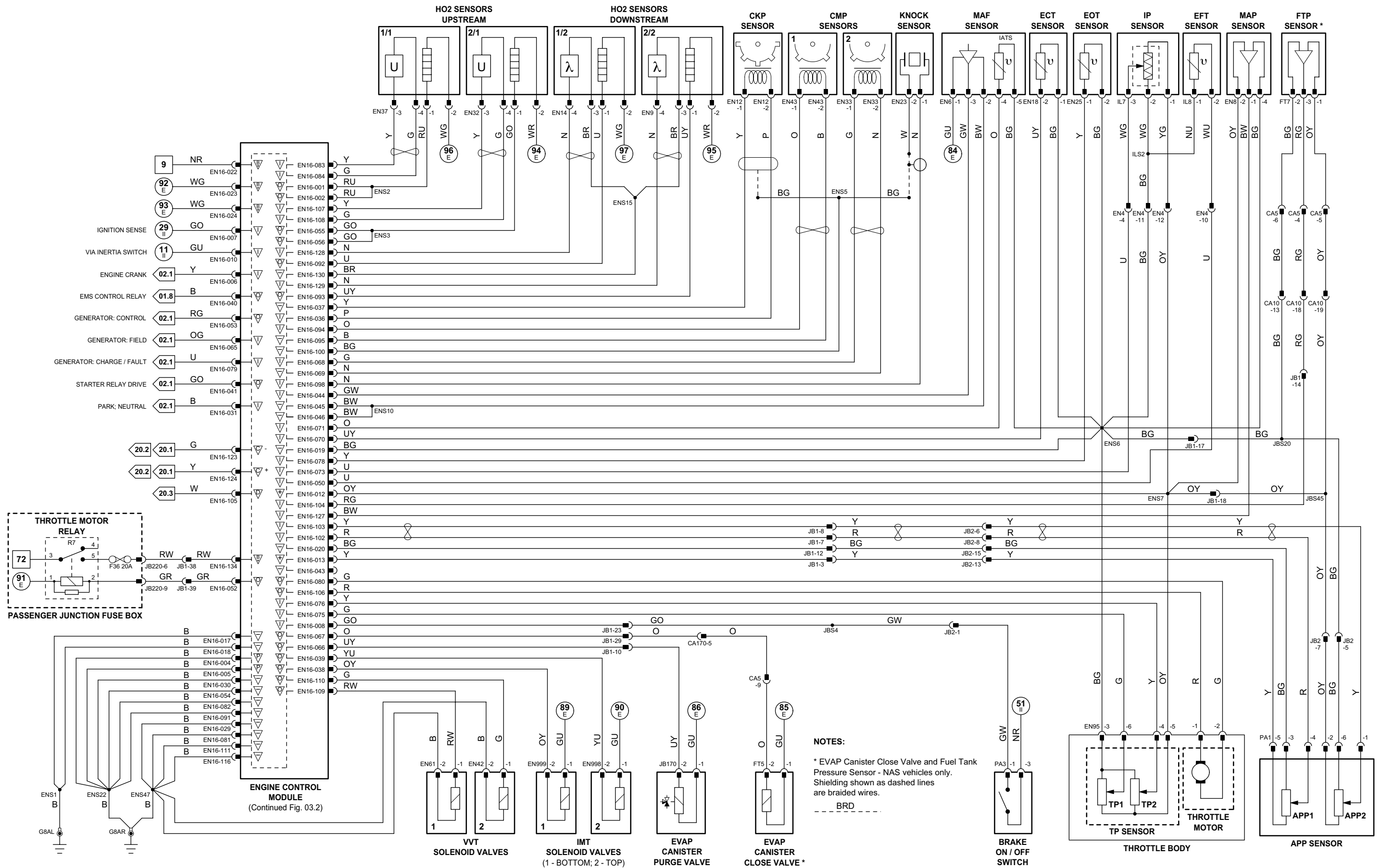
Connector	Connector Description / Location	Location
CA5	12-WAY / BLACK / FUEL TANK LINK HARNESS TO CABIN HARNESS	TOP OF FUEL TANK
CA170	16-WAY / GREEN / JUNCTION BOX HARNESS TO CABIN HARNESS	LH 'A' POST / 'A' POST TRIM
EN4	12-WAY / BLACK / ENGINE MANAGEMENT HARNESS TO FUEL INJECTION HARNESS	ENGINE COMPARTMENT / ENGINE TOP
JB1	42-WAY / BLACK / ENGINE MANAGEMENT HARNESS TO JUNCTION BOX HARNESS	ENGINE COMPARTMENT / LH SIDE
JB2	16-WAY / GREEN / ENGINE MANAGEMENT HARNESS TO JUNCTION BOX HARNESS (PEDAL ASSEMBLY)	BELOW INSTRUMENT PANEL / DRIVER SIDE

GROUNDS

Ground	Harness	Location
G8	EN	ENGINE COMPARTMENT / RH STRUT TOWER

FOR CONTROL MODULE PIN-OUT INFORMATION, UNFOLD PAGE TO LEFT.

Refer to the front of this book for detailed information and illustrations regarding the location and identification of harnesses, relays, fuses, grounds, control modules and control module pins.



Engine Control Module – 2.5 L, 3.0 L

	Pin	Description and Characteristic
I	EN16-009	BRAKE CANCEL SWITCH: NORMALLY CLOSED / GROUND WHEN ACTIVATED
SS	EN16-012	SENSOR POWER SUPPLY 1: NOMINAL 5 V
SG	EN16-019	SENSOR GROUND 1: GROUND
I	EN16-025	FUEL PUMP MODULE MONITOR: PWM, 1 Hz, 50% POSITIVE DUTY CYCLE = NORMAL, 25% POSITIVE DUTY CYCLE = NO CONTROL SIGNAL, 75% POSITIVE DUTY CYCLE = FUEL PUMP INOPERATIVE
O	EN16-027	FUEL PUMP MODULE CONTROL: PWM, 150 Hz, NORMAL POSITIVE DUTY CYCLE RANGE = 4% – 51%
SG	EN16-029	HO2 SENSOR HEATER GROUND – 1/1: GROUND
I	EN16-033	CLUTCH CANCEL SWITCH: NORMALLY CLOSED / GROUND WHEN ACTIVATED
O	EN16-034	AIR CONDITIONING COMPRESSOR CLUTCH RELAY DRIVE: TO ACTIVATE, ECM SWITCHES CIRCUIT TO GROUND
SS	EN16-047	SPEED CONTROL SWITCH REQUEST: STEPPED RESISTANCE
I	EN16-048	SPEED CONTROL SWITCHES SIGNAL GROUND: GROUND
O	EN16-051	COOLING FAN MODULE CONTROL: PWM, 140 Hz, POSITIVE DUTY CYCLE RANGE 7% – 95%
O	EN16-061	IGNITION COIL ACTIVATE – CYLINDER 2: TO ACTIVATE, ECM SWITCHES CIRCUIT TO GROUND
O	EN16-062	IGNITION COIL ACTIVATE – CYLINDER 4: TO ACTIVATE, ECM SWITCHES CIRCUIT TO GROUND
O	EN16-063	IGNITION COIL ACTIVATE – CYLINDER 6: TO ACTIVATE, ECM SWITCHES CIRCUIT TO GROUND
O	EN16-087	IGNITION COIL ACTIVATE – CYLINDER 1: TO ACTIVATE, ECM SWITCHES CIRCUIT TO GROUND
O	EN16-088	IGNITION COIL ACTIVATE – CYLINDER 3: TO ACTIVATE, ECM SWITCHES CIRCUIT TO GROUND
O	EN16-089	IGNITION COIL ACTIVATE – CYLINDER 5: TO ACTIVATE, ECM SWITCHES CIRCUIT TO GROUND
O	EN16-113	FUEL INJECTOR DRIVE – CYLINDER 5: TO ACTIVATE, ECM SWITCHES CIRCUIT TO GROUND
O	EN16-114	FUEL INJECTOR DRIVE – CYLINDER 3: TO ACTIVATE, ECM SWITCHES CIRCUIT TO GROUND
O	EN16-115	FUEL INJECTOR DRIVE – CYLINDER 1: TO ACTIVATE, ECM SWITCHES CIRCUIT TO GROUND
O	EN16-118	FUEL INJECTOR DRIVE – CYLINDER 6: TO ACTIVATE, ECM SWITCHES CIRCUIT TO GROUND
O	EN16-119	FUEL INJECTOR DRIVE – CYLINDER 4: TO ACTIVATE, ECM SWITCHES CIRCUIT TO GROUND
O	EN16-120	FUEL INJECTOR DRIVE – CYLINDER 2: TO ACTIVATE, ECM SWITCHES CIRCUIT TO GROUND
I	EN16-121	AIR CONDITIONING PRESSURE SENSOR SIGNAL, NOMINAL 0 – 5 V; TRANSDUCER – VOLTAGE INCREASES AS PRESSURE INCREASES
I	EN16-131	IGNITION MONITOR BANK 1 (1, 3, 5): PULSED SIGNAL, 3 PULSES PER ENGINE CYCLE
I	EN16-132	IGNITION MONITOR BANK 2 (2, 4, 6): PULSED SIGNAL, 3 PULSES PER ENGINE CYCLE

Fig. 03.2

COMPONENTS

Component	Connector(s)	Connector Description	Location
AIR CONDITIONING COMPRESSOR CLUTCH	EN30	2-WAY / BLACK	2.0 L, 2.5 L, 3.0 L: ADJACENT TO ENGINE OIL FILTER
AIR CONDITIONING COMPRESSOR CLUTCH RELAY	–	–	POWER DISTRIBUTION FUSEBOX – R3
AIR CONDITIONING PRESSURE SENSOR	JB106	4-WAY / BLACK	BEHIND FRONT LH WHEEL ARCH LINER
BRAKE CANCEL SWITCH	PA2	2-WAY / BLACK	TOP OF BRAKE PEDAL
CLUTCH CANCEL SWITCH	PA4	5-WAY / BLACK	TOP OF CLUTCH PEDAL
COOLING FAN – LH	GC2	2-WAY / BLACK	COOLING PACK / LH SIDE
COOLING FAN – RH	GC1	2-WAY / BLACK	COOLING PACK / RH SIDE
COOLING FAN MODULE	JB190	4-WAY / BLACK	ADJACENT TO RADIATOR / LH SIDE
ENGINE CONTROL MODULE – 2.5 L, 3.0 L	EN16	134-WAY / BLACK	ENGINE COMPARTMENT, FRONT BULKHEAD / RH SIDE
FUEL INJECTOR 1 – 2.0 L, 2.5 L, 3.0 L	IL1	2-WAY / BLACK	ENGINE FUEL RAIL
FUEL INJECTOR 2 – 2.0 L, 2.5 L, 3.0 L	IL4	2-WAY / BLACK	ENGINE FUEL RAIL
FUEL INJECTOR 3 – 2.0 L, 2.5 L, 3.0 L	IL2	2-WAY / BLACK	ENGINE FUEL RAIL
FUEL INJECTOR 4 – 2.0 L, 2.5 L, 3.0 L	IL5	2-WAY / BLACK	ENGINE FUEL RAIL
FUEL INJECTOR 5 – 2.0 L, 2.5 L, 3.0 L	IL3	2-WAY / BLACK	ENGINE FUEL RAIL
FUEL INJECTOR 6 – 2.0 L, 2.5 L, 3.0 L	IL6	2-WAY / BLACK	ENGINE FUEL RAIL
FUEL PUMP – 2.5 L, 3.0 L (NAS)	FT6	6-WAY / BLACK	FUEL TANK
FUEL PUMP – 2.5 L, 3.0 L (ROW)	FT2	4-WAY / BLACK	FUEL TANK
FUEL PUMP MODULE	CA105	11-WAY / BLACK	UNDER REAR SEAT / LH SIDE
IGNITION CAPACITOR	EN94	2-WAY / BLACK	BELOW AIR INTAKE
IGNITION MODULE AND COIL 1	EN51	4-WAY / BLACK	BANK 1 CYLINDER HEAD
IGNITION MODULE AND COIL 2	EN54	4-WAY / BLACK	BANK 2 CYLINDER HEAD
IGNITION MODULE AND COIL 3	EN52	4-WAY / BLACK	BANK 1 CYLINDER HEAD
IGNITION MODULE AND COIL 4	EN55	4-WAY / BLACK	BANK 2 CYLINDER HEAD
IGNITION MODULE AND COIL 5	EN53	4-WAY / BLACK	BANK 1 CYLINDER HEAD
IGNITION MODULE AND COIL 6	EN56	4-WAY / BLACK	BANK 2 CYLINDER HEAD
POWER DISTRIBUTION FUSEBOX	–	–	ENGINE COMPARTMENT
SPEED CONTROL SWITCHES	SW4	4-WAY / BLACK	STEERING WHEEL

HARNESS IN-LINE CONNECTORS

Connector	Connector Description / Location	Location
CA5	12-WAY / BLACK / FUEL TANK LINK HARNESS TO CABIN HARNESS	TOP OF FUEL TANK
CA10	22-WAY / SLATE / CABIN HARNESS TO JUNCTION BOX HARNESS	LH 'A' POST / 'A' POST TRIM
CA170	16-WAY / GREEN / JUNCTION BOX HARNESS TO CABIN HARNESS	LH 'A' POST / 'A' POST TRIM
EN4	12-WAY / BLACK / ENGINE MANAGEMENT HARNESS TO FUEL INJECTION HARNESS	ENGINE COMPARTMENT / ENGINE TOP
IP34	10-WAY / NATURAL / INSTRUMENT PANEL HARNESS TO STEERING WHEEL HARNESS	STEERING WHEEL CASSETTE
JB1	42-WAY / BLACK / ENGINE MANAGEMENT HARNESS TO JUNCTION BOX HARNESS	ENGINE COMPARTMENT / LH SIDE
JB2	16-WAY / GREEN / ENGINE MANAGEMENT HARNESS TO JUNCTION BOX HARNESS (PEDAL ASSEMBLY)	BELOW INSTRUMENT PANEL / DRIVER SIDE
JB129	22-WAY / GREY / JUNCTION BOX HARNESS TO INSTRUMENT PANEL HARNESS	BELOW INSTRUMENT PANEL / LH SIDE
JB145	8-WAY / BLACK / ENGINE MANAGEMENT HARNESS TO JUNCTION BOX HARNESS	ENGINE COMPARTMENT / LH SIDE

GROUNDS

Ground	Harness	Location
G11	JB	ENGINE COMPARTMENT / BEHIND LH HEADLAMP
G17	EN	ENGINE COMPARTMENT / TOP OF GENERATOR BRACKET
G35	CA	LOWER LH 'E' POST

FOR CONTROL MODULE PIN-OUT INFORMATION, UNFOLD PAGE TO LEFT.

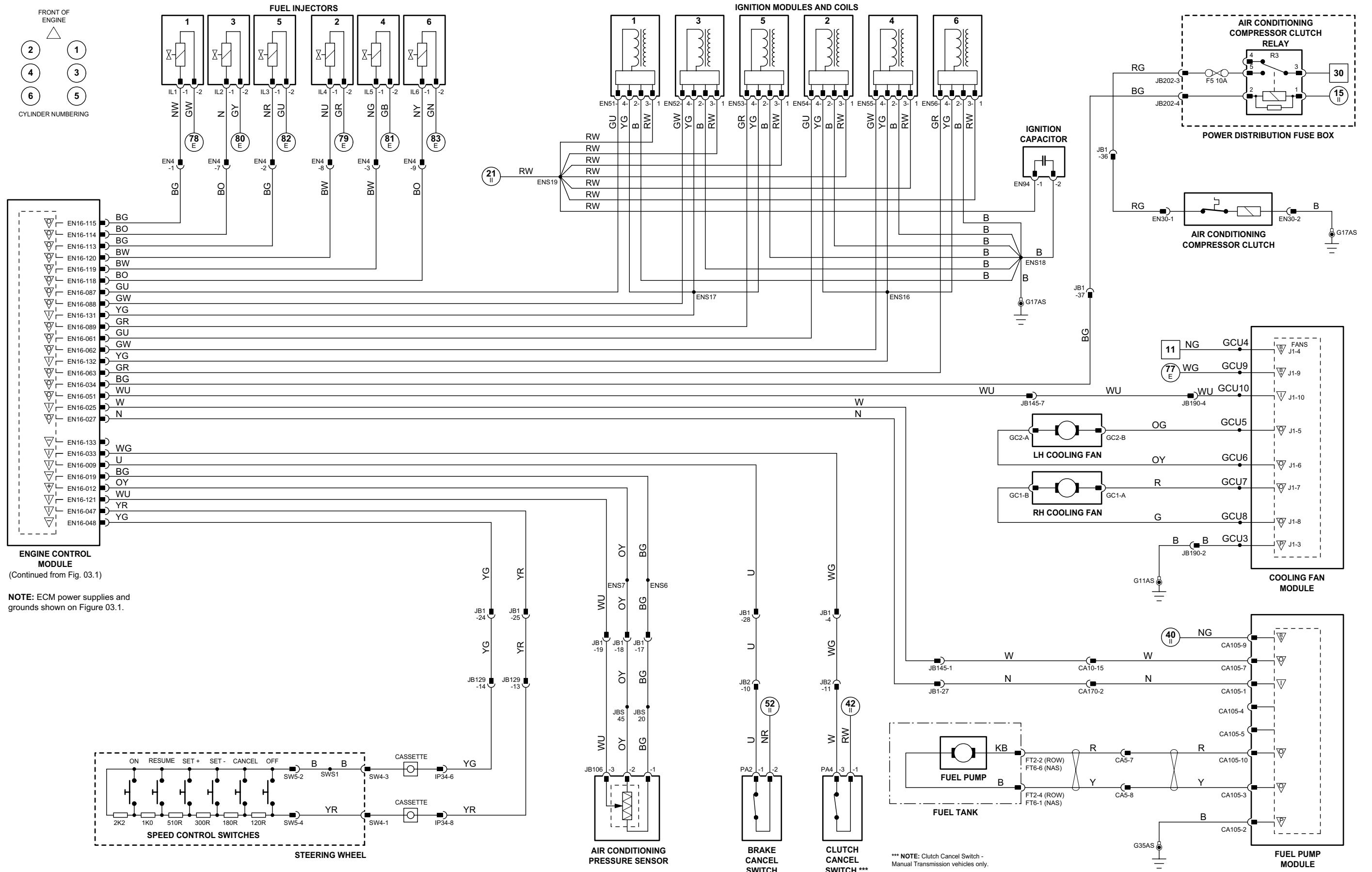
The following abbreviations are used to represent values for Control Module Pin-Out data

I	Input	PG	Power Ground	C	CAN Network	D	Serial and Encoded Data
O	Output	SS	Sensor / Signal Supply V	S	SCP Network	V	Voltage (DC)
B+	Battery Voltage	SG	Sensor / Signal Ground	D2	D2B Network	PWM	Pulse Width Modulated

CAUTION: The information on this data page is furnished to aid the user in understanding circuit operation. THIS INFORMATION SHOULD BE USED FOR REFERENCE ONLY.

NOTE: The values listed are approximately those that can be expected at the control module connector pins with all circuit connections made and all components connected and fitted.

Refer to the front of this book for detailed information and illustrations regarding the location and identification of harnesses, relays, fuses, grounds, control modules and control module pins.



(Continued from Fig. 03.1)

NOTE: ECM power supplies and grounds shown on Figure 03.1.

*** NOTE: Clutch Cancel Switch - Manual Transmission vehicles only.

1 → 6 Fig. 01.1	34 → 79 Fig. 01.3	11 → 31 Fig. 01.5	67 → 76 Fig. 01.7	98 → 107 Fig. 01.9	Input	Battery Voltage	Sensor/Signal Supply V	CAN	D2B Network
7 → 33 Fig. 01.2	1 → 10 Fig. 01.4	32 → 66 Fig. 01.6	77 → 97 Fig. 01.8		Output	Power Ground	Sensor/Signal Ground	SCP	Serial and Encoded Data

VARIANT: 2.5 L & 3.0 L Vehicles
 VIN RANGE: All
 DATE OF ISSUE: January 2007

Engine Control Module – 2.0 L

Pin	Description and Characteristic
I	EN65-001 MAP SENSOR SIGNAL, NOMINAL 0 – 5 V; VOLTAGE INCREASES AS MANIFOLD ABSOLUTE PRESSURE INCREASES
SG	EN65-003 SENSOR GROUND: GROUND
SG	EN65-004 SMALL SIGNAL GROUND 1: GROUND
SG	EN65-005 SMALL SIGNAL GROUND 2: GROUND
I	EN65-006 ENGINE CRANK: B+
O	EN65-008 GENERATOR FIELD RETURN SIGNAL: VARIABLE VOLTAGE BY GENERATOR OPERATING CONDITION
SS	EN65-011 SENSOR POWER SUPPLY: NOMINAL 5 V
PG	EN65-018 POWER GROUND 2: GROUND
PG	EN65-019 POWER GROUND 1: GROUND
B+	EN65-021 BATTERY POWER SUPPLY: B+
B+	EN65-022 EMS SWITCHED POWER SUPPLY 1: B+
B+	EN65-023 EMS SWITCHED POWER SUPPLY 2: B+
I	EN65-025 HO2 SENSOR 2/1 SIGNAL: CONSTANT CURRENT
I	EN65-026 HO2 SENSOR 2/1 SIGNAL: VARIABLE CURRENT
I	EN65-027 THROTTLE POSITION SENSOR SIGNAL: CLOSED THROTTLE = 0.89 V; FULL THROTTLE = 4.50 V
SG	EN65-029 MASS AIR FLOW SENSOR GROUND: GROUND
I	EN65-030 MASS AIR FLOW SENSOR SIGNAL: NOMINAL 0 – 5 V BY ENGINE OPERATING CONDITION
SG	EN65-031 MASS AIR FLOW SENSOR GROUND: GROUND
I	EN65-034 BRAKE ON / OFF SWITCH: NORMALLY OPEN / B+ WHEN ACTIVATED
I	EN65-035 GENERATOR CHARGE / FAULT: B+ = NORMAL, AFTER-START SWITCH-ON; GROUND = GENERATOR FAILURE, AFTER-START SWITCH-ON
I	EN65-036 INERTIA SWITCH: NORMALLY CLOSED / GROUND WHEN ACTIVATED
I	EN65-037 KNOCK SENSOR SIGNAL: PULSED SIGNAL
SG	EN65-038 SENSOR SHIELD: GROUND
D	EN65-039 SERIAL DATA LINK: SERIAL COMMUNICATION
I	EN65-043 GENERATOR CONTROL: VARIABLE VOLTAGE
O	EN65-046 HO2 SENSOR HEATER CONTROL – 2/2: PWM, 1 CYCLE PER 256 mS, POSITIVE DUTY CYCLE RANGE 0 mS = 0%, 77 mS = 30%, 256 mS = 100%
O	EN65-047 HO2 SENSOR HEATER CONTROL – 1/2: PWM, 1 CYCLE PER 256 mS, POSITIVE DUTY CYCLE RANGE 0 mS = 0%, 77 mS = 30%, 256 mS = 100%
SG	EN65-048 HO2 SENSOR HEATER GROUND – 1/2 AND 2/2: GROUND
I	EN65-050 HO2 SENSOR 1/1 SIGNAL: CONSTANT CURRENT
I	EN65-051 HO2 SENSOR 1/1 SIGNAL: VARIABLE CURRENT
SG	EN65-052 HO2 SENSOR HEATER GROUND – 2/1: GROUND
I	EN65-053 HO2 SENSOR 1/2 SIGNAL, NOMINAL 1 V SWING: 0.1 – 0.9 V SWING
I	EN65-054 HO2 SENSOR 2/2 SIGNAL, NOMINAL 1 V SWING: 0.1 – 0.9 V SWING
SG	EN65-055 HO2 SENSORS GROUND: GROUND
I	EN65-059 BANK 1 CAMSHAFT SENSOR SIGNAL: PULSED SIGNAL, 4 PULSES PER ENGINE CYCLE
SG	EN65-060 BANK 1 CAMSHAFT SENSOR GROUND: GROUND
I	EN65-061 CRANKSHAFT SENSOR SIGNAL: PULSED SIGNAL, 70 PULSES PER ENGINE CYCLE
SG	EN65-062 CRANKSHAFT SENSOR SIGNAL GROUND: GROUND
I	EN65-063 IGNITION ON: B+
SG	EN65-064 BANK 2 FUEL INJECTORS (2, 4, 6) GROUND: GROUND
O	EN65-068 STARTER RELAY DRIVE: TO ACTIVATE, ECM SWITCHES CIRCUIT TO GROUND
O	EN65-069 EMS CONTROL RELAY DRIVE: TO ACTIVATE, ECM SWITCHES CIRCUIT TO GROUND
O	EN65-071 INTAKE MANIFOLD TUNING VALVE SOLENOID DRIVE: GROUND WHEN ACTIVATED
O	EN65-074 EVAP CANISTER PURGE VALVE DRIVE: PWM, 10 Hz, POSITIVE DUTY CYCLE RANGE 0.04% – 100%
SG	EN65-075 HO2 SENSOR HEATER GROUND – 1/1: GROUND
O	EN65-076 HO2 SENSOR HEATER CONTROL – 2/1: PWM, 1 CYCLE PER 128 mS, VARIABLE DUTY CYCLE
O	EN65-077 HO2 SENSOR HEATER CONTROL – 1/1: PWM, 1 CYCLE PER 128 mS, VARIABLE DUTY CYCLE
SG	EN65-078 HO2 SENSOR HEATER GROUND – 2/1: GROUND
I	EN65-079 ENGINE OIL TEMPERATURE SENSOR SIGNAL, NOMINAL 0 – 5 V: NTC SENSOR – VOLTAGE DECREASES AS TEMPERATURE INCREASES
I	EN65-080 ENGINE COOLANT TEMPERATURE SENSOR SIGNAL, NOMINAL 0 – 5 V: NTC SENSOR – VOLTAGE DECREASES AS TEMPERATURE INCREASES
I	EN65-081 INTAKE AIR TEMPERATURE SENSOR SIGNAL, NOMINAL 0 – 5 V: NTC SENSOR – VOLTAGE DECREASES AS TEMPERATURE INCREASES
I	EN65-085 PARK / NEUTRAL SWITCH (AUTOMATIC TRANSMISSION): NORMALLY CLOSED / GROUND WHEN ACTIVATED
I	EN65-086 BANK 2 CAMSHAFT SENSOR SIGNAL: PULSED SIGNAL, 4 PULSES PER ENGINE CYCLE
SG	EN65-087 BANK 2 CAMSHAFT SENSOR GROUND: GROUND
C	EN65-088 CAN –
C	EN65-089 CAN +
SG	EN65-091 BANK 1 FUEL INJECTORS (1, 3, 5) GROUND: GROUND
O	EN65-095 BANK 2 VVT SOLENOID VALVE: PWM, 300 Hz, POSITIVE DUTY CYCLE RANGE 0% – 100%
O	EN65-096 BANK 1 VVT SOLENOID VALVE: PWM, 300 Hz, POSITIVE DUTY CYCLE RANGE 0% – 100%
O	EN65-097 IDLE SPEED CONTROL VALVE MOTOR DRIVE (-): PWM
O	EN65-098 IDLE SPEED CONTROL VALVE MOTOR DRIVE (+): PWM
SG	EN65-102 HO2 SENSOR HEATER GROUND – 1/1: GROUND
O	EN65-103 HO2 SENSOR HEATER CONTROL – 2/1: PWM, 1 CYCLE PER 128 mS, VARIABLE DUTY CYCLE
O	EN65-104 HO2 SENSOR HEATER CONTROL – 1/1: PWM, 1 CYCLE PER 128 mS, VARIABLE DUTY CYCLE

The following abbreviations are used to represent values for Control Module Pin-Out data

I	Input	PG	Power Ground	C	CAN Network	D	Serial and Encoded Data
O	Output	SS	Sensor / Signal Supply V	S	SCP Network	V	Voltage (DC)
B+	Battery Voltage	SG	Sensor / Signal Ground	D2	D2B Network	PWM	Pulse Width Modulated

CAUTION: The information on this data page is furnished to aid the user in understanding circuit operation. THIS INFORMATION SHOULD BE USED FOR REFERENCE ONLY.

NOTE: The values listed are approximately those that can be expected at the control module connector pins with all circuit connections made and all components connected and fitted.

Fig. 03.3

COMPONENTS

Component	Connector(s)	Connector Description	Location
BRAKE ON / OFF SWITCH	PA3	3-WAY / BLACK	TOP OF BRAKE PEDAL
CKP SENSOR – 2.0 L, 2.5 L, 3.0 L	EN12	2-WAY / BLACK	ADJACENT TO ENGINE CRANKSHAFT PULLEY
CMP SENSOR 1 – 2.0 L, 2.5 L, 3.0 L	EN43	2-WAY / BLACK	BANK 1 CYLINDER HEAD, FRONT
CMP SENSOR 2 – 2.0 L, 2.5 L, 3.0 L	EN33	2-WAY / BLACK	BANK 2 CYLINDER HEAD, FRONT
ECT SENSOR	EN18	2-WAY / BLACK	ENGINE VEE, FRONT
ENGINE CONTROL MODULE – 2.0 L	EN65	104-WAY / BLACK	ENGINE COMPARTMENT, FRONT BULKHEAD / RH SIDE
EOT SENSOR	EN25	2-WAY / GREY	ADJACENT TO ENGINE OIL FILTER
EVAP CANISTER PURGE VALVE	JB170	2-WAY / BLACK	ENGINE COMPARTMENT BULKHEAD
HO2 SENSOR DOWNSTREAM 1/2	EN14	4-WAY / BLACK	BANK 1 EXHAUST
HO2 SENSOR DOWNSTREAM 2/2	EN9	4-WAY / BLACK	BANK 2 EXHAUST
HO2 SENSOR UPSTREAM 1/1	EN37	4-WAY / GREY	BANK 1 EXHAUST
HO2 SENSOR UPSTREAM 2/1	EN32	4-WAY / GREY	BANK 2 EXHAUST
IDLE SPEED CONTROL VALVE	EN87	2-WAY / BLACK	THROTTLE ASSEMBLY
IMT SOLENOID VALVE	EN990	2-WAY / BLACK	INTAKE MANIFOLD TOP
KNOCK SENSOR – 2.0 L, 2.5 L, 3.0 L	EN23	2-WAY / BLACK	ENGINE VEE
MAF SENSOR – 2.0 L, 2.5 L, 3.0 L	EN6	5-WAY / BLACK	ENGINE AIR INTAKE DUCT
MAP SENSOR	EN8	4-WAY / BLACK	INTAKE MANIFOLD, REAR
TP SENSOR – 2.0 L	EN88	3-WAY / BLACK	THROTTLE BODY
VVT SOLENOID VALVE 1	EN61	2-WAY / BLACK	BANK 1 CYLINDER HEAD
VVT SOLENOID VALVE 2	EN42	2-WAY / BLACK	BANK 2 CYLINDER HEAD

HARNESS IN-LINE CONNECTORS

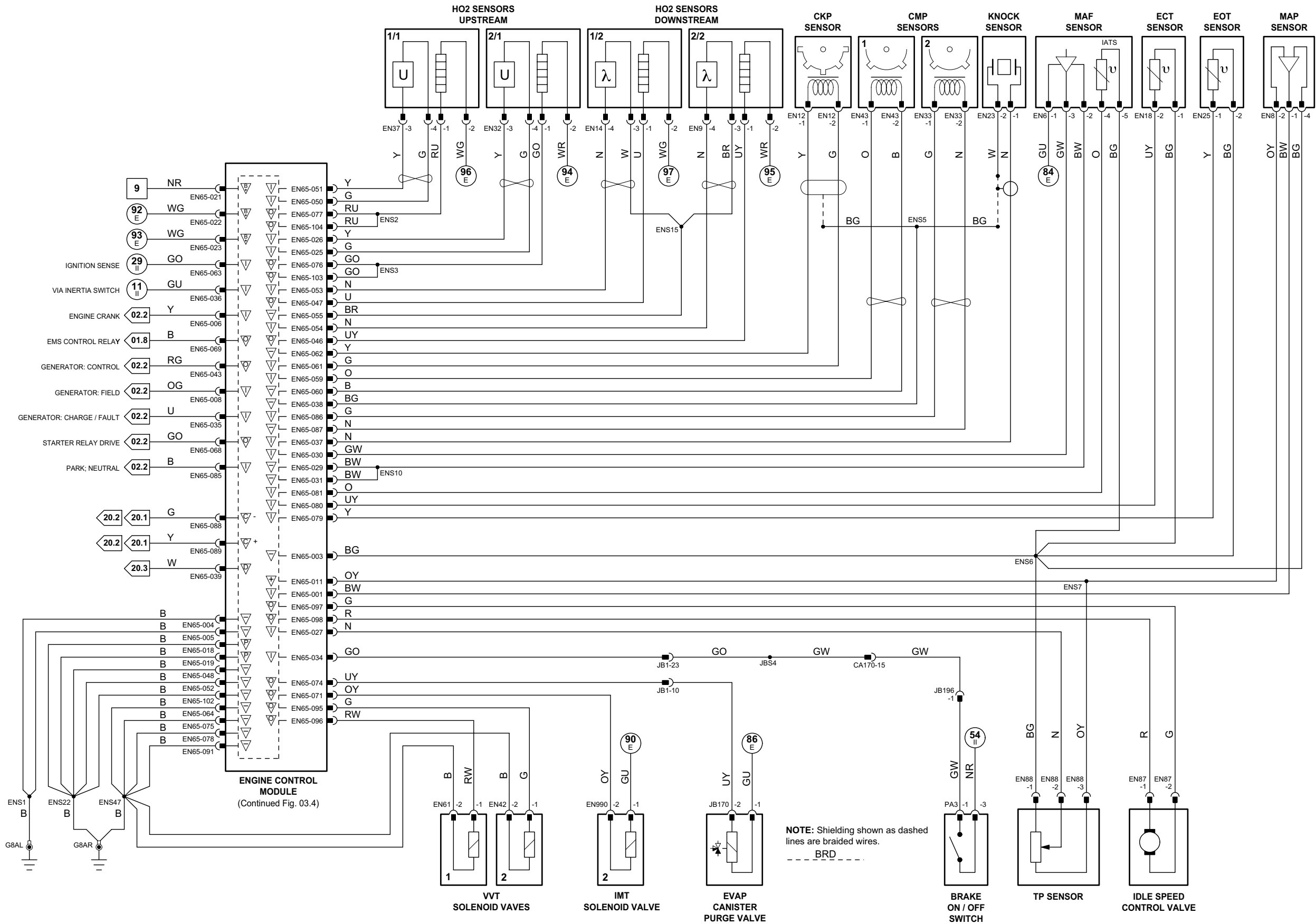
Connector	Connector Description / Location	Location
CA170	16-WAY / GREEN / JUNCTION BOX HARNESS TO CABIN HARNESS	LH 'A' POST / 'A' POST TRIM
JB1	42-WAY / BLACK / ENGINE MANAGEMENT HARNESS TO JUNCTION BOX HARNESS	ENGINE COMPARTMENT / LH SIDE
JB196	10-WAY / GREY / ENGINE MANAGEMENT HARNESS TO JUNCTION BOX HARNESS (PEDAL ASSEMBLY)	BELOW INSTRUMENT PANEL / DRIVER SIDE

GROUND

Ground	Harness	Location
G8	EN	ENGINE COMPARTMENT / RH STRUT TOWER

FOR CONTROL MODULE PIN-OUT INFORMATION, UNFOLD PAGE TO LEFT.

Refer to the front of this book for detailed information and illustrations regarding the location and identification of harnesses, relays, fuses, grounds, control modules and control module pins.



103_3_4000625

1 → 6 Fig. 01.1	34 → 79 Fig. 01.3	11 → 31 Fig. 01.5	67 → 76 Fig. 01.7	98 → 107 Fig. 01.9	Input	Battery Voltage	Sensor/Signal Supply V	CAN	D2B Network
7 → 33 Fig. 01.2	1 → 10 Fig. 01.4	32 → 66 Fig. 01.6	77 → 97 Fig. 01.8		Output	Power Ground	Sensor/Signal Ground	SCP	Serial and Encoded Data

VARIANT: 2.0 L Gasoline Engine Vehicles
 VIN RANGE: All
 DATE OF ISSUE: January 2007

Engine Control Module – 2.0 L

	Pin	Description and Characteristic
I	EN65-002	AIR CONDITIONING PRESSURE SENSOR SIGNAL, NOMINAL 0 – 5 V; TRANSDUCER – VOLTAGE INCREASES AS PRESSURE INCREASES
SG	EN65-003	SENSOR GROUND: GROUND
I	EN65-007	BRAKE CANCEL SWITCH: NORMALLY CLOSED / GROUND WHEN ACTIVATED
SS	EN65-011	SENSOR POWER SUPPLY: NOMINAL 5 V
I	EN65-012	IGNITION MONITOR BANK 1 (1, 3, 5); PULSED SIGNAL, 3 PULSES PER ENGINE CYCLE
I	EN65-013	IGNITION MONITOR BANK 2 (2, 4, 6); PULSED SIGNAL, 3 PULSES PER ENGINE CYCLE
O	EN65-014	IGNITION COIL ACTIVATE – CYLINDER 1: TO ACTIVATE, ECM SWITCHES CIRCUIT TO GROUND
O	EN65-015	IGNITION COIL ACTIVATE – CYLINDER 3: TO ACTIVATE, ECM SWITCHES CIRCUIT TO GROUND
O	EN65-016	IGNITION COIL ACTIVATE – CYLINDER 5: TO ACTIVATE, ECM SWITCHES CIRCUIT TO GROUND
I	EN65-017	INTELLIGENT SPEED SIGNAL (VEHICLE SPEED): PWM, DUTY CYCLE RANGE 30% – 70%
O	EN65-020	AIR CONDITIONING COMPRESSOR CLUTCH RELAY DRIVE: TO ACTIVATE, ECM SWITCHES CIRCUIT TO GROUND
I	EN65-034	BRAKE ON / OFF SWITCH: NORMALLY OPEN / B+ WHEN ACTIVATED
O	EN65-040	IGNITION COIL ACTIVATE – CYLINDER 2: TO ACTIVATE, ECM SWITCHES CIRCUIT TO GROUND
O	EN65-041	IGNITION COIL ACTIVATE – CYLINDER 4: TO ACTIVATE, ECM SWITCHES CIRCUIT TO GROUND
O	EN65-042	IGNITION COIL ACTIVATE – CYLINDER 6: TO ACTIVATE, ECM SWITCHES CIRCUIT TO GROUND
O	EN65-044	COOLING FAN MODULE CONTROL: PWM, 140 Hz, POSITIVE DUTY CYCLE RANGE 7% – 95%
I	EN65-056	SPEED CONTROL STATUS 1 ON / Off: GROUND = ON; 5 V = OFF
I	EN65-057	SPEED CONTROL STATUS 2 ACTIVE / INACTIVE: GROUND = ACTIVE; 5 V = INACTIVE
O	EN65-065	FUEL INJECTOR DRIVE – CYLINDER 1: TO ACTIVATE, ECM SWITCHES CIRCUIT TO GROUND
O	EN65-066	FUEL INJECTOR DRIVE – CYLINDER 3: TO ACTIVATE, ECM SWITCHES CIRCUIT TO GROUND
O	EN65-067	FUEL INJECTOR DRIVE – CYLINDER 5: TO ACTIVATE, ECM SWITCHES CIRCUIT TO GROUND
I	EN65-084	CLUTCH CANCEL SWITCH: NORMALLY CLOSED / GROUND WHEN ACTIVATED
O	EN65-092	FUEL INJECTOR DRIVE – CYLINDER 2: TO ACTIVATE, ECM SWITCHES CIRCUIT TO GROUND
O	EN65-093	FUEL INJECTOR DRIVE – CYLINDER 4: TO ACTIVATE, ECM SWITCHES CIRCUIT TO GROUND
O	EN65-094	FUEL INJECTOR DRIVE – CYLINDER 6: TO ACTIVATE, ECM SWITCHES CIRCUIT TO GROUND
O	EN65-099	FUEL PUMP RELAY DRIVE: TO ACTIVATE, ECM SWITCHES CIRCUIT TO GROUND

Fig. 03.4

COMPONENTS

Component	Connector(s)	Connector Description	Location
AIR CONDITIONING COMPRESSOR CLUTCH	EN30	2-WAY / BLACK	2.0 L, 2.5 L, 3.0 L: ADJACENT TO ENGINE OIL FILTER
AIR CONDITIONING COMPRESSOR CLUTCH RELAY	–	–	POWER DISTRIBUTION FUSEBOX – R3
AIR CONDITIONING PRESSURE SENSOR	JB106	4-WAY / BLACK	BEHIND FRONT LH WHEEL ARCH LINER
BRAKE CANCEL SWITCH	PA2	2-WAY / BLACK	TOP OF BRAKE PEDAL
BRAKE ON / OFF SWITCH	PA3	3-WAY / BLACK	TOP OF BRAKE PEDAL
CLUTCH CANCEL SWITCH	PA4	5-WAY / BLACK	TOP OF CLUTCH PEDAL
COOLING FAN – LH	GC2	2-WAY / BLACK	COOLING PACK / LH SIDE
COOLING FAN – RH	GC1	2-WAY / BLACK	COOLING PACK / RH SIDE
COOLING FAN MODULE	JB190	4-WAY / BLACK	ADJACENT TO RADIATOR / LH SIDE
ENGINE CONTROL MODULE – 2.0 L	EN65	104-WAY / BLACK	ENGINE COMPARTMENT, FRONT BULKHEAD / RH SIDE
FUEL INJECTOR 1 – 2.0 L, 2.5 L, 3.0 L	IL1	2-WAY / BLACK	ENGINE FUEL RAIL
FUEL INJECTOR 2 – 2.0 L, 2.5 L, 3.0 L	IL4	2-WAY / BLACK	ENGINE FUEL RAIL
FUEL INJECTOR 3 – 2.0 L, 2.5 L, 3.0 L	IL2	2-WAY / BLACK	ENGINE FUEL RAIL
FUEL INJECTOR 4 – 2.0 L, 2.5 L, 3.0 L	IL5	2-WAY / BLACK	ENGINE FUEL RAIL
FUEL INJECTOR 5 – 2.0 L, 2.5 L, 3.0 L	IL3	2-WAY / BLACK	ENGINE FUEL RAIL
FUEL INJECTOR 6 – 2.0 L, 2.5 L, 3.0 L	IL6	2-WAY / BLACK	ENGINE FUEL RAIL
FUEL PUMP – 2.0 L	CA415	6-WAY / BLACK	FUEL TANK
FUEL PUMP RELAY	–	–	PASSENGER JUNCTION FUSEBOX – R7
IGNITION CAPACITOR	EN94	2-WAY / BLACK	BELOW AIR INTAKE
IGNITION MODULE AND COIL 1	EN51	4-WAY / BLACK	BANK 1 CYLINDER HEAD
IGNITION MODULE AND COIL 2	EN54	4-WAY / BLACK	BANK 2 CYLINDER HEAD
IGNITION MODULE AND COIL 3	EN52	4-WAY / BLACK	BANK 1 CYLINDER HEAD
IGNITION MODULE AND COIL 4	EN55	4-WAY / BLACK	BANK 2 CYLINDER HEAD
IGNITION MODULE AND COIL 5	EN53	4-WAY / BLACK	BANK 1 CYLINDER HEAD
IGNITION MODULE AND COIL 6	EN56	4-WAY / BLACK	BANK 2 CYLINDER HEAD
PASSENGER JUNCTION FUSEBOX	–	–	PASSENGER COMPARTMENT, FRONT BULKHEAD / LH SIDE
POWER DISTRIBUTION FUSEBOX	–	–	ENGINE COMPARTMENT
SPEED CONTROL MODULE	JB161	10-WAY / BLACK	ENGINE COMPARTMENT BULKHEAD / LH SIDE
SPEED CONTROL SWITCHES	SW4	4-WAY / BLACK	STEERING WHEEL

HARNESS IN-LINE CONNECTORS

Connector	Connector Description / Location	Location
CA170	16-WAY / GREEN / JUNCTION BOX HARNESS TO CABIN HARNESS	LH 'A' POST / 'A' POST TRIM
EN4	12-WAY / BLACK / ENGINE MANAGEMENT HARNESS TO FUEL INJECTION HARNESS	ENGINE COMPARTMENT / ENGINE TOP
IP34	10-WAY / NATURAL / INSTRUMENT PANEL HARNESS TO STEERING WHEEL HARNESS	STEERING WHEEL CASSETTE
JB1	42-WAY / BLACK / ENGINE MANAGEMENT HARNESS TO JUNCTION BOX HARNESS	ENGINE COMPARTMENT / LH SIDE
JB129	22-WAY / GREY / JUNCTION BOX HARNESS TO INSTRUMENT PANEL HARNESS	BELOW INSTRUMENT PANEL / LH SIDE
JB196	10-WAY / GREY / ENGINE MANAGEMENT HARNESS TO JUNCTION BOX HARNESS (PEDAL ASSEMBLY)	BELOW INSTRUMENT PANEL / DRIVER SIDE

GROUNDS

Ground	Harness	Location
G11	JB	ENGINE COMPARTMENT / BEHIND LH HEADLAMP
G14	JB	ENGINE COMPARTMENT / BEHIND POWER DISTRIBUTION FUSEBOX
G17	EN	ENGINE COMPARTMENT / TOP OF GENERATOR BRACKET
G35	CA	LOWER LH 'E' POST

FOR CONTROL MODULE PIN-OUT INFORMATION, UNFOLD PAGE TO LEFT.

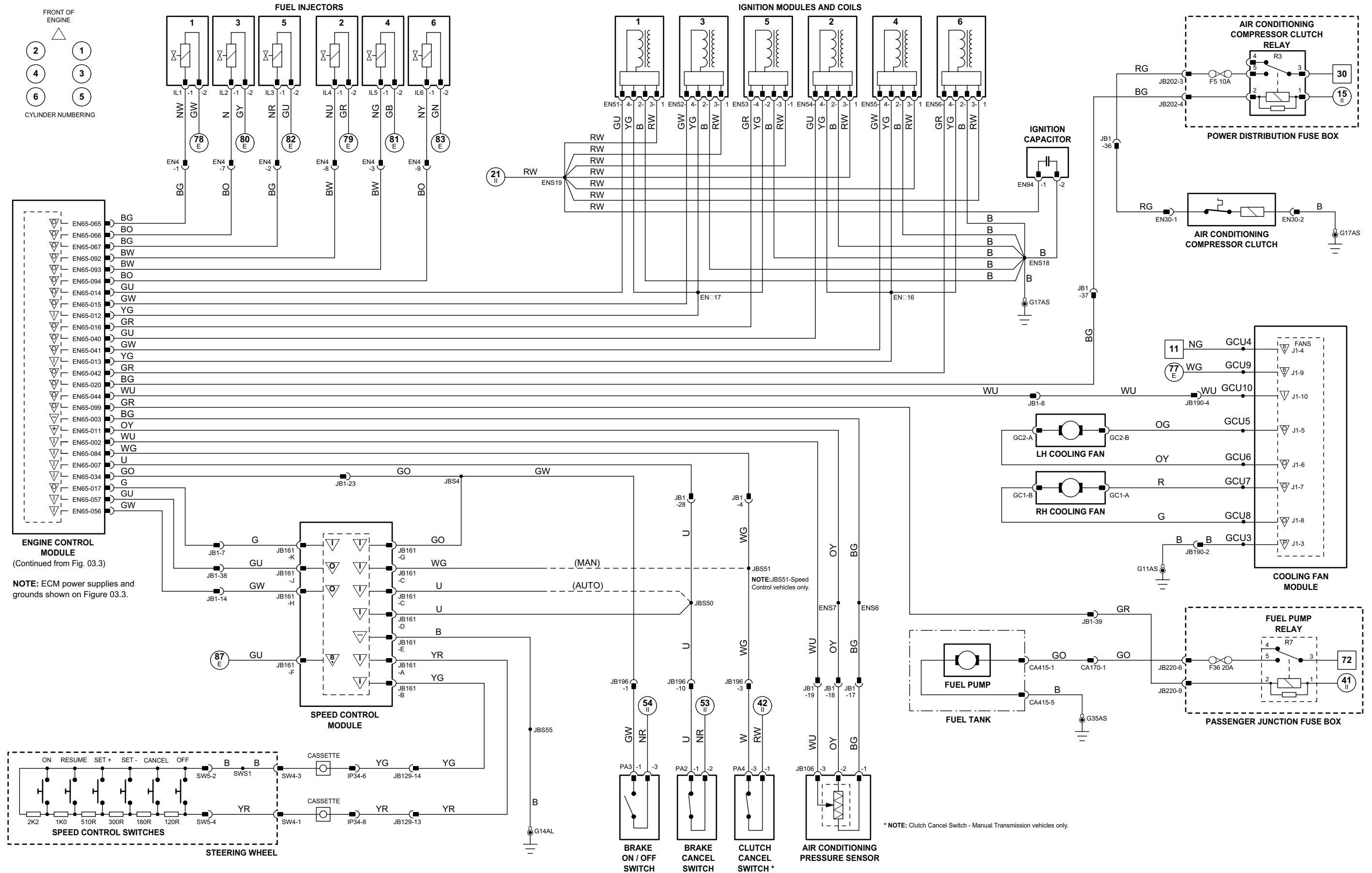
The following abbreviations are used to represent values for Control Module Pin-Out data

I	Input	PG	Power Ground	C	CAN Network	D	Serial and Encoded Data
O	Output	SS	Sensor / Signal Supply V	S	SCP Network	V	Voltage (DC)
B+	Battery Voltage	SG	Sensor / Signal Ground	D2	D2B Network	PWM	Pulse Width Modulated

CAUTION: The information on this data page is furnished to aid the user in understanding circuit operation. THIS INFORMATION SHOULD BE USED FOR REFERENCE ONLY.

NOTE: The values listed are approximately those that can be expected at the control module connector pins with all circuit connections made and all components connected and fitted.

Refer to the front of this book for detailed information and illustrations regarding the location and identification of harnesses, relays, fuses, grounds, control modules and control module pins.



1 → 6 Fig. 01.1	34 → 79 Fig. 01.3	11 → 31 Fig. 01.5	67 → 76 Fig. 01.7	98 → 107 Fig. 01.9	Input	Battery Voltage	Sensor/Signal Supply V	CAN	D2B Network
7 → 33 Fig. 01.2	1 → 10 Fig. 01.4	32 → 66 Fig. 01.6	77 → 97 Fig. 01.8		Output	Power Ground	Sensor/Signal Ground	SCP	Serial and Encoded Data

VARIANT: 2.0 L Gasoline Engine Vehicles
VIN RANGE: All
DATE OF ISSUE: January 2007

Engine Control Module – Diesel

Pin	Description and Characteristic
PG	DL1-001 POWER GROUND: GROUND
PG	DL1-002 POWER GROUND: GROUND
B+	DL1-003 EMS SWITCHED POWER SUPPLY: B+
B+	DL1-004 EMS SWITCHED POWER SUPPLY: B+
B+	DL1-005 EMS SWITCHED POWER SUPPLY: B+
SS	DL1-006 INJECTION PRESSURE SENSOR POWER SUPPLY V: NOMINAL 5 V
O	DL1-009 EMS CONTROL RELAY ACTIVATE: TO ACTIVATE, ECM SWITCHES CIRCUIT TO GROUND
SG	DL1-014 ACCELERATOR PEDAL POSITION SENSOR 2 GROUND: GROUND
I	DL1-018 INERTIA SWITCH: NORMALLY CLOSED / OPEN CIRCUIT WHEN ACTIVATED
O	DL1-020 GLOW PLUG RELAY DRIVE: TO ACTIVATE, ECM SWITCHES CIRCUIT TO GROUND
O	DL1-021 STARTER RELAY DRIVE: TO ACTIVATE, ECM SWITCHES CIRCUIT TO GROUND
I	DL1-025 INJECTION PRESSURE SENSOR SIGNAL, NOMINAL 0 – 5 V: 0.5 V – 4.5 V DEPENDANT ON FUEL RAIL PRESSURE
SG	DL1-026 INJECTION PRESSURE SENSOR GROUND: GROUND
PG	DL1-028 POWER GROUND: GROUND
I	DL1-032 ACCELERATOR PEDAL POSITION SENSOR 2 SIGNAL: VARIABLE VOLTAGE DEPENDANT ON PEDAL POSITION
SS	DL1-033 ACCELERATOR PEDAL POSITION SENSOR 2 POWER SUPPLY: NOMINAL 5 V
I	DL1-037 IGNITION SENSE: B+
I	DL1-038 CLUTCH SWITCH SIGNAL: NORMALLY OPEN / GROUND WHEN ACTIVATED
SG	DL1-045 KNOCK SENSOR SIGNAL: VARIABLE VOLTAGE DEPENDENT ON ENGINE VIBRATION
O	DL1-046 KNOCK SENSOR GROUND: GROUND
I	DL1-047 GENERATOR MONITOR
I	DL1-050 ACCELERATOR PEDAL POSITION SENSOR 3 SIGNAL: VARIABLE VOLTAGE DEPENDANT ON PEDAL POSITION
SS	DL1-051 ACCELERATOR PEDAL POSITION SENSOR 3 POWER SUPPLY: NOMINAL 5 V
SG	DL1-053 ACCELERATOR PEDAL POSITION SENSOR 1 GROUND: GROUND
C	DL1-054 CAN +
S	DL1-055 SCP +
I	DL1-058 BRAKE ON / OFF SWITCH SIGNAL: NORMALLY OPEN / B+ WHEN ACTIVATED
I	DL1-064 AMBIENT TEMPERATURE SENSOR SIGNAL, NOMINAL 0 – 5 V: NTC SENSOR – VOLTAGE DECREASES AS TEMPERATURE INCREASES
SG	DL1-065 AMBIENT AIR TEMPERATURE SENSOR GROUND: GROUND
PG	DL1-066 POWER GROUND: GROUND
SG	DL1-070 ACCELERATOR PEDAL POSITION SENSOR 3 GROUND: GROUND
I	DL1-071 ACCELERATOR PEDAL POSITION SENSOR 1 SIGNAL: VARIABLE VOLTAGE DEPENDANT ON PEDAL POSITION
SS	DL1-072 ACCELERATOR PEDAL POSITION SENSOR 1 POWER SUPPLY: NOMINAL 5 V
C	DL1-073 CAN –
S	DL1-074 SCP –
SG	DL1-082 CRANKSHAFT SENSOR SIGNAL GROUND: GROUND
I	DL1-083 MASS AIR FLOW SENSOR SIGNAL: NOMINAL 0 – 5 V BY ENGINE OPERATING CONDITION
SG	DL1-084 MASS AIR FLOW SENSOR GROUND: GROUND
O	DL1-087 FUEL METERING VALVE DRIVE: PWM
PG	DL1-088 POWER GROUND: GROUND
I	DL1-090 CRANKSHAFT SENSOR SIGNAL: PULSED SIGNAL
O	DL1-096 EXHAUST GAS RECIRCULATION SOLENOID VALVE DRIVE: PWM
I	DL1-099 T-MAP SENSOR PRESSURE SIGNAL, NOMINAL 0 – 5 V: VOLTAGE INCREASES AS MANIFOLD ABSOLUTE PRESSURE INCREASES
SG	DL1-100 T-MAP SENSOR GROUND: GROUND
I	DL1-101 CYLINDER HEAD TEMPERATURE SENSOR SIGNAL, NOMINAL 5 V: NTC SENSOR – VOLTAGE DECREASES AS TEMPERATURE INCREASES
SG	DL1-102 CYLINDER HEAD TEMPERATURE SENSOR GROUND: GROUND
I	DL1-103 CAMSHAFT POSITION SENSOR SIGNAL: PULSED SIGNAL
SG	DL1-104 CAMSHAFT POSITION SENSOR GROUND: GROUND
I	DL1-107 T-MAP SENSOR TEMPERATURE SIGNAL, NOMINAL 0 – 5 V: NTC SENSOR – VOLTAGE DECREASES AS TEMPERATURE INCREASES
SS	DL1-108 T-MAP SENSOR POWER SUPPLY: NOMINAL 5 V
I	DL1-109 ENGINE FUEL TEMPERATURE SENSOR SIGNAL, NOMINAL 0 – 5 V: NTC SENSOR – VOLTAGE DECREASES AS TEMPERATURE INCREASES
SG	DL1-110 ENGINE FUEL TEMPERATURE SENSOR GROUND: GROUND
O	DL1-112 GENERATOR COMMON
O	DL1-114 FUEL INJECTOR DRIVE – CYLINDER 1: TO ACTIVATE, ECM SWITCHES CIRCUIT TO GROUND
O	DL1-115 FUEL INJECTOR DRIVE – CYLINDER 4: TO ACTIVATE, ECM SWITCHES CIRCUIT TO GROUND
B+	DL1-117 FUEL INJECTORS 1, 4 POWER SUPPLY: B+
B+	DL1-118 FUEL INJECTORS 2, 3 POWER SUPPLY: B+
O	DL1-120 FUEL INJECTOR DRIVE – CYLINDER 2: TO ACTIVATE, ECM SWITCHES CIRCUIT TO GROUND
O	DL1-121 FUEL INJECTOR DRIVE – CYLINDER 3: TO ACTIVATE, ECM SWITCHES CIRCUIT TO GROUND

The following abbreviations are used to represent values for Control Module Pin-Out data

I	Input	PG	Power Ground	C	CAN Network	D	Serial and Encoded Data
O	Output	SS	Sensor / Signal Supply V	S	SCP Network	V	Voltage (DC)
B+	Battery Voltage	SG	Sensor / Signal Ground	D2	D2B Network	PWM	Pulse Width Modulated

CAUTION: The information on this data page is furnished to aid the user in understanding circuit operation. THIS INFORMATION SHOULD BE USED FOR REFERENCE ONLY.

NOTE: The values listed are approximately those that can be expected at the control module connector pins with all circuit connections made and all components connected and fitted.

Fig. 03.5

COMPONENTS

Component	Connector(s)	Connector Description	Location
AMBIENT TEMPERATURE SENSOR – Diesel	DL4	2-WAY / BLACK	ENGINE COMPARTMENT FRONT OF COOLING PACK
APP SENSOR – Diesel	PA6	10-WAY / GREY	ABOVE ACCELERATOR PEDAL
BRAKE ON / OFF SWITCH	PA3	3-WAY / BLACK	TOP OF BRAKE PEDAL
CHT SENSOR	DE13	2-WAY / GREY	ENGINE CYLINDER HEAD
CKP SENSOR – Diesel	DE6	2-WAY / GREY	ENGINE FLYWHEEL / RH SIDE
CLUTCH SWITCH – Diesel	PA4	5-WAY / BLACK	TOP OF CLUTCH PEDAL
CMP SENSOR – Diesel	DE7	3-WAY / GREY	CYLINDER HEAD INLET CAMSHAFT
EFT SENSOR – Diesel	DE1	2-WAY / BLUE	REAR OF HIGH PRESSURE FUEL PUMP
ENGINE CONTROL MODULE – Diesel	DL1	121-WAY / BLACK	ENGINE COMPARTMENT, FRONT BULKHEAD / RH SIDE
FUEL INJECTOR 1 – Diesel	DE9	2-WAY / GREY	ENGINE CYLINDER HEAD
FUEL INJECTOR 2 – Diesel	DE11	2-WAY / GREY	ENGINE CYLINDER HEAD
FUEL INJECTOR 3 – Diesel	DE12	2-WAY / GREY	ENGINE CYLINDER HEAD
FUEL INJECTOR 4 – Diesel	DE10	2-WAY / GREY	ENGINE CYLINDER HEAD
FUEL METERING VALVE	DE5	2-WAY / BROWN	REAR OF HIGH PRESSURE FUEL PUMP
GLOW PLUG POWER EYELET	DL10	EYELET	ENGINE CYLINDER HEAD
GLOW PLUG RELAY	–	–	POWER DISTRIBUTION FUSEBOX – R10
IP SENSOR – Diesel	DE3	3-WAY / PURPLE	FRONT OF FUEL RAIL
KNOCK SENSOR – Diesel	DE8	2-WAY / BLACK	CYLINDER BLOCK / LH SIDE
MAF SENSOR – Diesel	DL6	6-WAY / BLACK	ENGINE AIR INTAKE DUCT
POWER DISTRIBUTION FUSEBOX	–	–	ENGINE COMPARTMENT
T-MAP SENSOR	DL5	4-WAY / BLACK	ENGINE CHARGE AIR DUCT BETWEEN CHARGE AIR COOLER AND EGR VALVE

HARNESS IN-LINE CONNECTORS

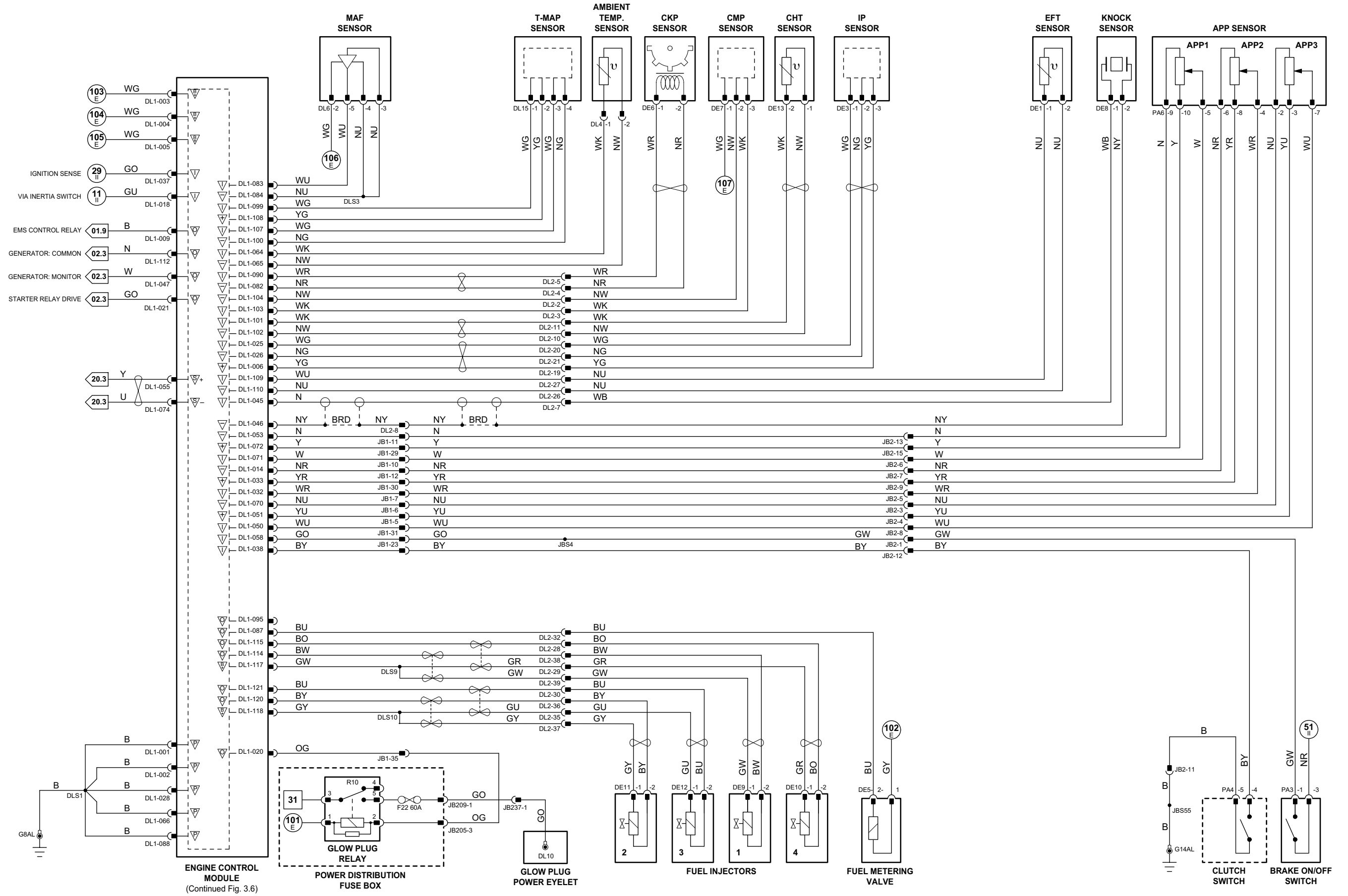
Connector	Connector Description / Location	Location
DL2	42-WAY / BLACK / ENGINE HARNESS TO ENGINE MANAGEMENT HARNESS	ENGINE COMPARTMENT / RH SIDE
JB1	42-WAY / BLACK / ENGINE MANAGEMENT HARNESS TO JUNCTION BOX HARNESS	ENGINE COMPARTMENT / LH SIDE
JB2	16-WAY / GREEN / ENGINE MANAGEMENT HARNESS TO JUNCTION BOX HARNESS (PEDAL ASSEMBLY)	BELOW INSTRUMENT PANEL / DRIVER SIDE
JB237	2-WAY / BLACK / JUNCTION BOX HARNESS TO ENGINE MANAGEMENT HARNESS	ENGINE COMPARTMENT / LH SIDE

GROUNDS

Ground	Harness	Location
G8	EN	ENGINE COMPARTMENT / RH STRUT TOWER
G14	JB	ENGINE COMPARTMENT / BEHIND POWER DISTRIBUTION FUSEBOX

FOR CONTROL MODULE PIN-OUT INFORMATION, UNFOLD PAGE TO LEFT.

Refer to the front of this book for detailed information and illustrations regarding the location and identification of harnesses, relays, fuses, grounds, control modules and control module pins.



1 → 6 Fig. 01.1	34 → 79 Fig. 01.3	11 → 31 Fig. 01.5	67 → 76 Fig. 01.7	98 → 107 Fig. 01.9	Input	Battery Voltage	Sensor/Signal Supply V	CAN	D2B Network
7 → 33 Fig. 01.2	1 → 10 Fig. 01.4	32 → 66 Fig. 01.6	77 → 97 Fig. 01.8		Output	Power Ground	Sensor/Signal Ground	SCP	Serial and Encoded Data

VARIANT: Diesel Engine Vehicles
 VIN RANGE: All
 DATE OF ISSUE: January 2007

Engine Control Module – Diesel

	Pin	Description and Characteristic
	DL1-012	CLUTCH CANCEL SWITCH SIGNAL: NORMALLY CLOSED / OPEN CIRCUIT WHEN ACTIVATED
SG	DL1-013	SPEED CONTROL SWITCHES SIGNAL GROUND: GROUND
I	DL1-057	SPEED CONTROL SWITCH REQUEST: STEPPED RESISTANCE
O	DL1-058	BRAKE ON / OFF SWITCH SIGNAL: NORMALLY OPEN / B+ WHEN ACTIVATED
O	DL1-061	AUXILIARY HEATER RELAY 1 DRIVE: TO ACTIVATE, ECM SWITCHES CIRCUIT TO GROUND
O	DL1-062	AUXILIARY HEATER RELAY 2 DRIVE: TO ACTIVATE, ECM SWITCHES CIRCUIT TO GROUND
SG	DL1-068	AIR CONDITIONING PRESSURE SENSOR GROUND: GROUND
I	DL1-077	BRAKE CANCEL SWITCH SIGNAL: NORMALLY CLOSED, B+ / OPEN CIRCUIT WHEN ACTIVATED
O	DL1-079	AIR CONDITIONING COMPRESSOR CLUTCH RELAY DRIVE: TO ACTIVATE, ECM SWITCHES CIRCUIT TO GROUND
O	DL1-080	SOLID STATE RELAY DRIVE: TO ACTIVATE, ECM SWITCHES CIRCUIT TO GROUND
SS	DL1-086	AIR CONDITIONING PRESSURE SENSOR POWER SUPPLY: NOMINAL 5 V
O	DL1-105	COOLING FAN MODULE CONTROL: PWM, 140 Hz, POSITIVE DUTY CYCLE RANGE 7% – 95%
I	DL1-106	AIR CONDITIONING PRESSURE SENSOR SIGNAL, NOMINAL 0 – 5 V: TRANSDUCER – VOLTAGE INCREASES AS PRESSURE INCREASES

Fig. 03.6

COMPONENTS

Component	Connector(s)	Connector Description	Location
AIR CONDITIONING COMPRESSOR CLUTCH	DL9	2-WAY / BLACK	DIESEL: ENGINE BLOCK / LH FRONT
AIR CONDITIONING COMPRESSOR CLUTCH RELAY	–	–	POWER DISTRIBUTION FUSEBOX – R3
AIR CONDITIONING PRESSURE SENSOR	JB106	4-WAY / BLACK	BEHIND FRONT LH WHEEL ARCH LINER
AUXILIARY HEATER RELAY 1	–	–	POWER DISTRIBUTION FUSEBOX – R15
AUXILIARY HEATER RELAY 2	JB234	RELAY BASE	ENGINE COMPARTMENT / CENTER, FRONT
BRAKE CANCEL SWITCH	PA2	2-WAY / BLACK	TOP OF BRAKE PEDAL
BRAKE ON / OFF SWITCH	PA3	3-WAY / BLACK	TOP OF BRAKE PEDAL
CLUTCH SWITCH – Diesel	PA4	5-WAY / BLACK	TOP OF CLUTCH PEDAL
COOLING FAN – LH	GC2	2-WAY / BLACK	COOLING PACK / LH SIDE
COOLING FAN – RH	GC1	2-WAY / BLACK	COOLING PACK / RH SIDE
COOLING FAN MODULE	JB190	4-WAY / BLACK	ADJACENT TO RADIATOR / LH SIDE
ELECTRIC AUXILIARY HEATER	JB235	6-WAY / BLACK	VEHICLE UNDER-FLOOR REARWARD OF ENGINE
EGR SOLENOID VALVE	DL14	2-WAY / BLACK	VACUUM RESERVOIR BRACKET
ENGINE CONTROL MODULE – Diesel	DL1	121-WAY / BLACK	ENGINE COMPARTMENT, FRONT BULKHEAD / RH SIDE
FUEL-FIRED AUXILIARY HEATER MODULE	JB232	6-WAY / BLACK	VEHICLE UNDER-FLOOR REARWARD OF ENGINE
POWER DISTRIBUTION FUSEBOX	–	–	ENGINE COMPARTMENT
SOLID STATE RELAY	JB238	7-WAY / BROWN	ATTACHED TO TOP OF PASSENGER JUNCTION FUSEBOX
SPEED CONTROL SWITCHES	SW4	4-WAY / BLACK	STEERING WHEEL

HARNES IN-LINE CONNECTORS

Connector	Connector Description / Location	Location
JB1	42-WAY / BLACK / ENGINE MANAGEMENT HARNESS TO JUNCTION BOX HARNESS	ENGINE COMPARTMENT / LH SIDE
JB2	16-WAY / GREEN / ENGINE MANAGEMENT HARNESS TO JUNCTION BOX HARNESS (PEDAL ASSEMBLY)	BELOW INSTRUMENT PANEL / DRIVER SIDE
JB129	22-WAY / GREY / JUNCTION BOX HARNESS TO INSTRUMENT PANEL HARNESS	BELOW INSTRUMENT PANEL / LH SIDE
JB187	2-WAY / BLACK / JUNCTION BOX HARNESS TO COOLING FAN MODULE LINK LEAD	ENGINE COMPARTMENT / FRONT, LH SIDE

GROUNDS

Ground	Harness	Location
G8	EN	ENGINE COMPARTMENT / RH STRUT TOWER
G11	JB	ENGINE COMPARTMENT / BEHIND LH HEADLAMP
G51	JB	UNDER BODY / LH DASH PANEL

FOR CONTROL MODULE PIN-OUT INFORMATION, UNFOLD PAGE TO LEFT.

The following abbreviations are used to represent values for Control Module Pin-Out data

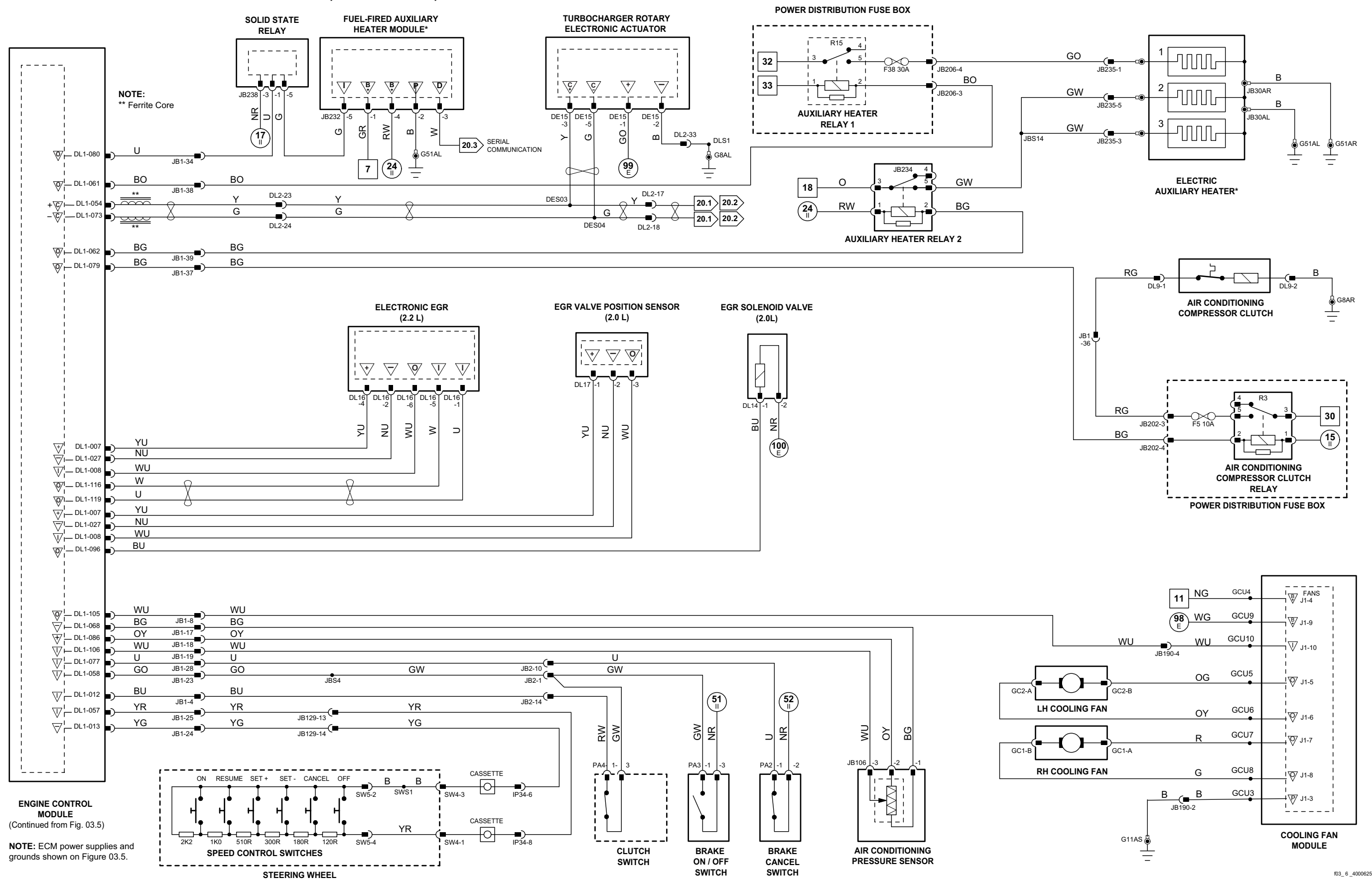
I	Input	PG	Power Ground	C	CAN Network	D	Serial and Encoded Data
O	Output	SS	Sensor / Signal Supply V	S	SCP Network	V	Voltage (DC)
B+	Battery Voltage	SG	Sensor / Signal Ground	D2	D2B Network	PWM	Pulse Width Modulated

CAUTION: The information on this data page is furnished to aid the user in understanding circuit operation. THIS INFORMATION SHOULD BE USED FOR REFERENCE ONLY.

NOTE: The values listed are approximately those that can be expected at the control module connector pins with all circuit connections made and all components connected and fitted.

Refer to the front of this book for detailed information and illustrations regarding the location and identification of harnesses, relays, fuses, grounds, control modules and control module pins.

* NOTE: Either Fuel-Fired Auxiliary Heater or Electric Auxiliary Heater fitted.



ENGINE CONTROL MODULE
(Continued from Fig. 03.5)

NOTE: ECM power supplies and grounds shown on Figure 03.5.

1 → 6 Fig. 01.1	34 → 79 Fig. 01.3	11 → 31 Fig. 01.5	67 → 76 Fig. 01.7	98 → 107 Fig. 01.9	Input	Battery Voltage	Sensor/Signal Supply V	CAN	D2B Network
7 → 33 Fig. 01.2	1 → 10 Fig. 01.4	11 → 66 Fig. 01.6	77 → 97 Fig. 01.8		Output	Power Ground	Sensor/Signal Ground	SCP	Serial and Encoded Data

VARIANT: Diesel Engine Vehicles
VIN RANGE: All
DATE OF ISSUE: January 2007

Transmission Control Module – 16-BIT

Pin	Description and Characteristic
O	JB131-03 2 / 4 BRAKE PRESSURE CONTROL SOLENOID DRIVE: PWM, 1.25 kHz, POSITIVE DUTY CYCLE 5 – 95%
O	JB131-04 2 / 4 BRAKE TIMING SOLENOID DRIVE: B+ TO ACTIVATE
I	JB131-05 OUTPUT SPEED SENSOR SIGNAL: 18 PULSES PER OUTPUT SHAFT REVOLUTION
B+	JB131-06 BATTERY POWER SUPPLY: B+
I	JB131-07 GEAR SELECTOR SIGNAL – 3: 3 = GROUND; NOT IN 3 = OPEN CIRCUIT
I	JB131-08 GEAR SELECTOR SIGNAL – 2: 2 = GROUND; NOT IN 2 = OPEN CIRCUIT
PG	JB131-09 POWER GROUND: GROUND
O	JB131-10 REDUCTION TIMING SOLENOID DRIVE: B+ TO ACTIVATE
C	JB131-12 CAN – 1
C	JB131-13 CAN – 2
O	JB131-14 SHIFT SOLENOID B DRIVE: B+ TO ACTIVATE
O	JB131-15 SHIFT SOLENOID A DRIVE: B+ TO ACTIVATE
O	JB131-16 TCC PRESSURE CONTROL SOLENOID DRIVE: PWM, 1.25 kHz, POSITIVE DUTY CYCLE 5 – 95%
SG	JB131-17 SOLENOID GROUND RETURN: GROUND
O	JB131-18 LINE PRESSURE CONTROL SOLENOID DRIVE: PWM, 1.25 kHz, POSITIVE DUTY CYCLE 5 – 95%
SG	JB131-20 SENSOR GROUND: GROUND
I	JB131-21 INTERMEDIATE SPEED SENSOR SIGNAL: 54 PULSES PER INTERMEDIATE SHAFT REVOLUTION*
I	JB131-24 TURBINE SPEED SENSOR SIGNAL: 36 PULSES PER ENGINE REVOLUTION
I	JB131-25 RANGE SENSOR – N: N = GROUND; NOT IN N = OPEN CIRCUIT
I	JB131-26 RANGE SENSOR – R: R = GROUND; NOT IN R = OPEN CIRCUIT
I	JB131-27 RANGE SENSOR – D: D = GROUND; NOT IN D = OPEN CIRCUIT
I	JB131-30 RANGE SENSOR – P: P = GROUND; NOT IN P = OPEN CIRCUIT
C	JB131-33 CAN + 1
C	JB131-34 CAN + 2
B+	JB131-36 IGNITION SWITCHED POWER SUPPLY: B+
PG	JB131-38 POWER GROUND: GROUND
I	JB131-39 FLUID TEMPERATURE SENSOR SIGNAL, NOMINAL 0 – 5 V: NTC SENSOR – VOLTAGE DECREASES AS TEMPERATURE INCREASES
SG	JB131-42 OUTPUT SPEED SENSOR GROUND: GROUND
SG	JB131-44 TURBINE SPEED SENSOR GROUND: GROUND
I	JB131-45 GEAR SELECTOR SIGNAL – 4: 4 = GROUND; NOT IN 4 = OPEN CIRCUIT
SG	JB131-46 INTERMEDIATE SPEED SENSOR GROUND: GROUND
I	JB131-47 MODE SWITCH: 'SPORT' SELECTED = GROUND
O	JB131-52 SHIFT SOLENOID C DRIVE: B+ TO ACTIVATE
O	JB131-53 LOW CLUTCH TIMING SOLENOID DRIVE: B+ TO ACTIVATE
B+	JB131-54 IGNITION SWITCHED POWER SUPPLY: B+

* IN 1ST – 4TH AND R, THE INTERMEDIATE SHAFT SPEED IS THE SAME AS THE OUTPUT SHAFT SPEED. IN 5TH, THE INTERMEDIATE SHAFT SPEED IS MULTIPLIED BY 1.2.

The following abbreviations are used to represent values for Control Module Pin-Out data

I	Input	PG	Power Ground	C	CAN Network	D	Serial and Encoded Data
O	Output	SS	Sensor / Signal Supply V	S	SCP Network	V	Voltage (DC)
B+	Battery Voltage	SG	Sensor / Signal Ground	D2	D2B Network	PWM	Pulse Width Modulated

CAUTION: The information on this data page is furnished to aid the user in understanding circuit operation. THIS INFORMATION SHOULD BE USED FOR REFERENCE ONLY.

NOTE: The values listed are approximately those that can be expected at the control module connector pins with all circuit connections made and all components connected and fitted.

Fig. 04.1

COMPONENTS

Component	Connector(s)	Connector Description	Location
AUTOMATIC TRANSMISSION	JB155	18-WAY / BLACK	ENGINE COMPARTMENT
IGNITION SWITCH	IP18	7-WAY / BLACK	STEERING COLUMN
J-GATE MODULE	IP14	16-WAY / GREY	CENTER CONSOLE
TRANSMISSION CONTROL MODULE – 16-BIT	JB131	37-WAY / BLUE	LOWER LH 'A' POST
TRANSMISSION RANGE SENSOR	JB156	10-WAY / BLACK	TOP OF TRANSMISSION

HARNESS IN-LINE CONNECTORS

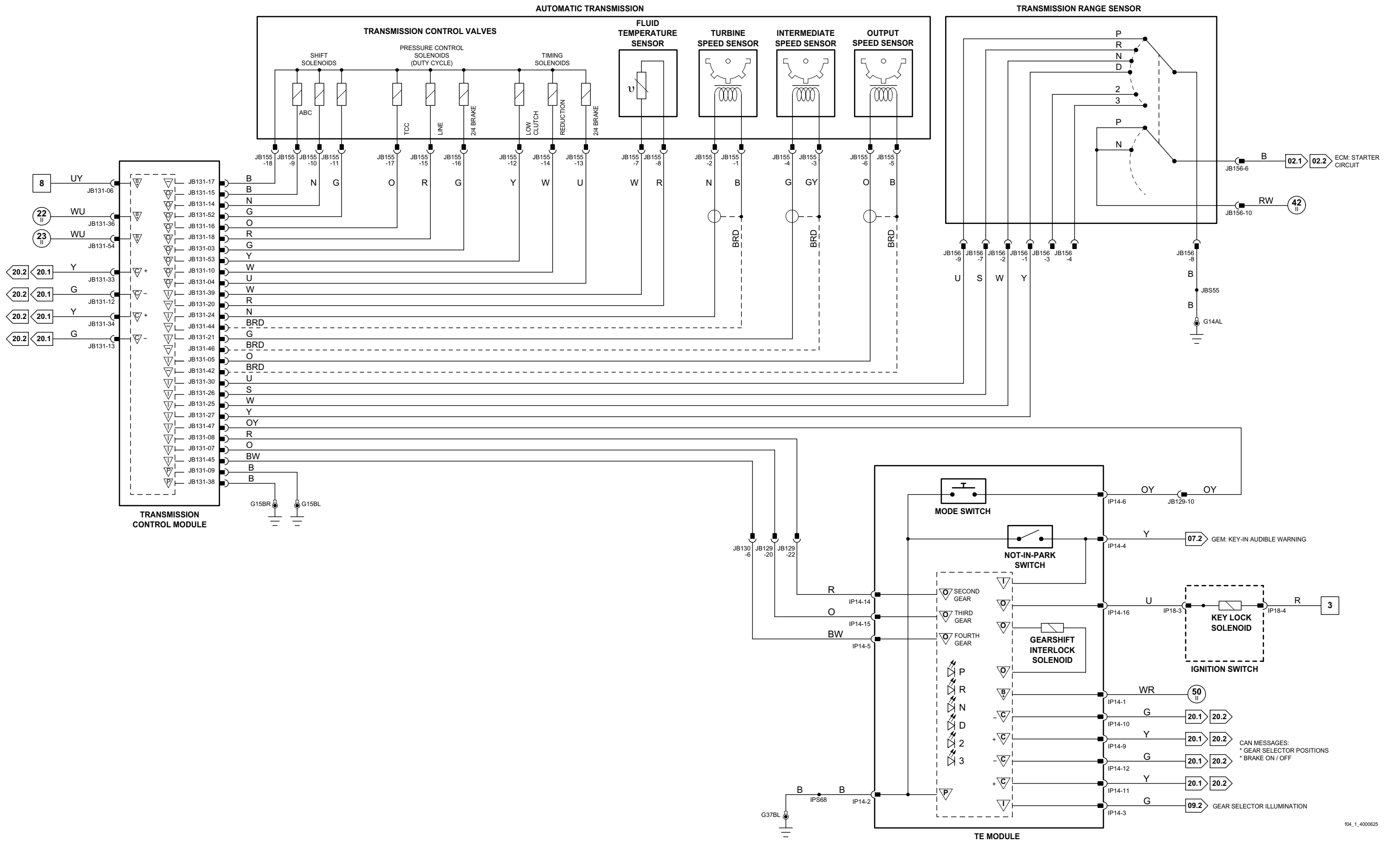
Connector	Connector Description / Location	Location
JB129	22-WAY / GREY / JUNCTION BOX HARNESS TO INSTRUMENT PANEL HARNESS	BELOW INSTRUMENT PANEL / LH SIDE

GROUNDS

Ground	Harness	Location
G14	JB	ENGINE COMPARTMENT / BEHIND POWER DISTRIBUTION FUSEBOX
G15	CA	LOWER LH 'A' POST
G37	IP	BEHIND INSTRUMENT PANEL / RH SIDE OF CROSS CAR BEAM

FOR CONTROL MODULE PIN-OUT INFORMATION, UNFOLD PAGE TO LEFT.

Refer to the front of this book for detailed information and illustrations regarding the location and identification of harnesses, relays, fuses, grounds, control modules and control module pins.



Transmission Control Module – 32-BIT

Pin	Description and Characteristic
O	JB230-01 LINE PRESSURE CONTROL SOLENOID DRIVE: PWM, 1.25 kHz, POSITIVE DUTY CYCLE 5 – 95%
O	JB230-02 2 / 4 BRAKE PRESSURE CONTROL SOLENOID DRIVE: PWM, 1.25 kHz, POSITIVE DUTY CYCLE 5 – 95%
O	JB230-03 TCC PRESSURE CONTROL SOLENOID DRIVE: PWM, 1.25 kHz, POSITIVE DUTY CYCLE 5 – 95%
SG	JB230-04 SOLENOID GROUND RETURN: GROUND
C	JB230-05 CAN +
C	JB230-06 CAN –
O	JB230-07 REDUCTION TIMING SOLENOID DRIVE: B+ TO ACTIVATE
O	JB230-08 LOW CLUTCH TIMING SOLENOID DRIVE: B+ TO ACTIVATE
B+	JB230-10 IGNITION SWITCHED POWER SUPPLY: B+
O	JB230-11 SHIFT SOLENOID A DRIVE: B+ TO ACTIVATE
O	JB230-12 SHIFT SOLENOID B DRIVE: B+ TO ACTIVATE
C	JB230-14 CAN +
C	JB230-15 CAN –
I	JB230-18 RANGE SENSOR – P: P = GROUND; NOT IN P = OPEN CIRCUIT
B+	JB230-19 IGNITION SWITCHED POWER SUPPLY: B+
O	JB230-20 SHIFT SOLENOID C DRIVE: B+ TO ACTIVATE
O	JB230-21 2 / 4 BRAKE TIMING SOLENOID DRIVE: B+ TO ACTIVATE
SG	JB230-23 TURBINE SPEED SENSOR GROUND: GROUND
I	JB230-24 GEAR SELECTOR SIGNAL – 3: 3 = GROUND; NOT IN 3 = OPEN CIRCUIT
PG	JB231-25 POWER GROUND: GROUND
SG	JB231-26 SENSOR GROUND: GROUND
I	JB231-27 GEAR SELECTOR SIGNAL – 2: 2 = GROUND; NOT IN 2 = OPEN CIRCUIT
B+	JB231-28 BATTERY POWER SUPPLY: B+
I	JB231-29 OUTPUT SPEED SENSOR SIGNAL: 18 PULSES PER OUTPUT SHAFT REVOLUTION
I	JB231-34 RANGE SENSOR – D: D = GROUND; NOT IN D = OPEN CIRCUIT
I	JB231-35 RANGE SENSOR – R: R = GROUND; NOT IN R = OPEN CIRCUIT
I	JB231-36 RANGE SENSOR – N: N = GROUND; NOT IN N = OPEN CIRCUIT
I	JB231-38 TURBINE SPEED SENSOR SIGNAL: 36 PULSES PER ENGINE REVOLUTION
I	JB231-39 INTERMEDIATE SPEED SENSOR SIGNAL: 54 PULSES PER INTERMEDIATE SHAFT REVOLUTION*
I	JB231-41 MODE SWITCH: 'SPORT' SELECTED = GROUND
SG	JB231-42 SENSOR GROUND: GROUND
I	JB231-43 GEAR SELECTOR SIGNAL – 4: 4 = GROUND; NOT IN 4 = OPEN CIRCUIT
SG	JB231-44 SENSOR GROUND: GROUND
I	JB231-47 FLUID TEMPERATURE SENSOR SIGNAL, NOMINAL 0 – 5 V: NTC SENSOR – VOLTAGE DECREASES AS TEMPERATURE INCREASES
PG	JB231-48 POWER GROUND: GROUND

The following abbreviations are used to represent values for Control Module Pin-Out data

I	Input	PG	Power Ground	C	CAN Network	D	Serial and Encoded Data
O	Output	SS	Sensor / Signal Supply V	S	SCP Network	V	Voltage (DC)
B+	Battery Voltage	SG	Sensor / Signal Ground	D2	D2B Network	PWM	Pulse Width Modulated

CAUTION: The information on this data page is furnished to aid the user in understanding circuit operation. THIS INFORMATION SHOULD BE USED FOR REFERENCE ONLY.

NOTE: The values listed are approximately those that can be expected at the control module connector pins with all circuit connections made and all components connected and fitted.

Fig. 04.2

COMPONENTS

Component	Connector(s)	Connector Description	Location
AUTOMATIC TRANSMISSION	JB155	18-WAY / BLACK	ENGINE COMPARTMENT
IGNITION SWITCH	IP18	7-WAY / BLACK	STEERING COLUMN
J-GATE MODULE	IP14	16-WAY / GREY	CENTER CONSOLE
TRANSMISSION CONTROL MODULE – 32-BIT	JB230	24-WAY / WHITE	LOWER LH 'A' POST
	JB231	24-WAY / GREY	
TRANSMISSION RANGE SENSOR	JB156	10-WAY / BLACK	TOP OF TRANSMISSION

HARNESS IN-LINE CONNECTORS

Connector	Connector Description / Location	Location
JB129	22-WAY / GREY / JUNCTION BOX HARNESS TO INSTRUMENT PANEL HARNESS	BELOW INSTRUMENT PANEL / LH SIDE

GROUNDS

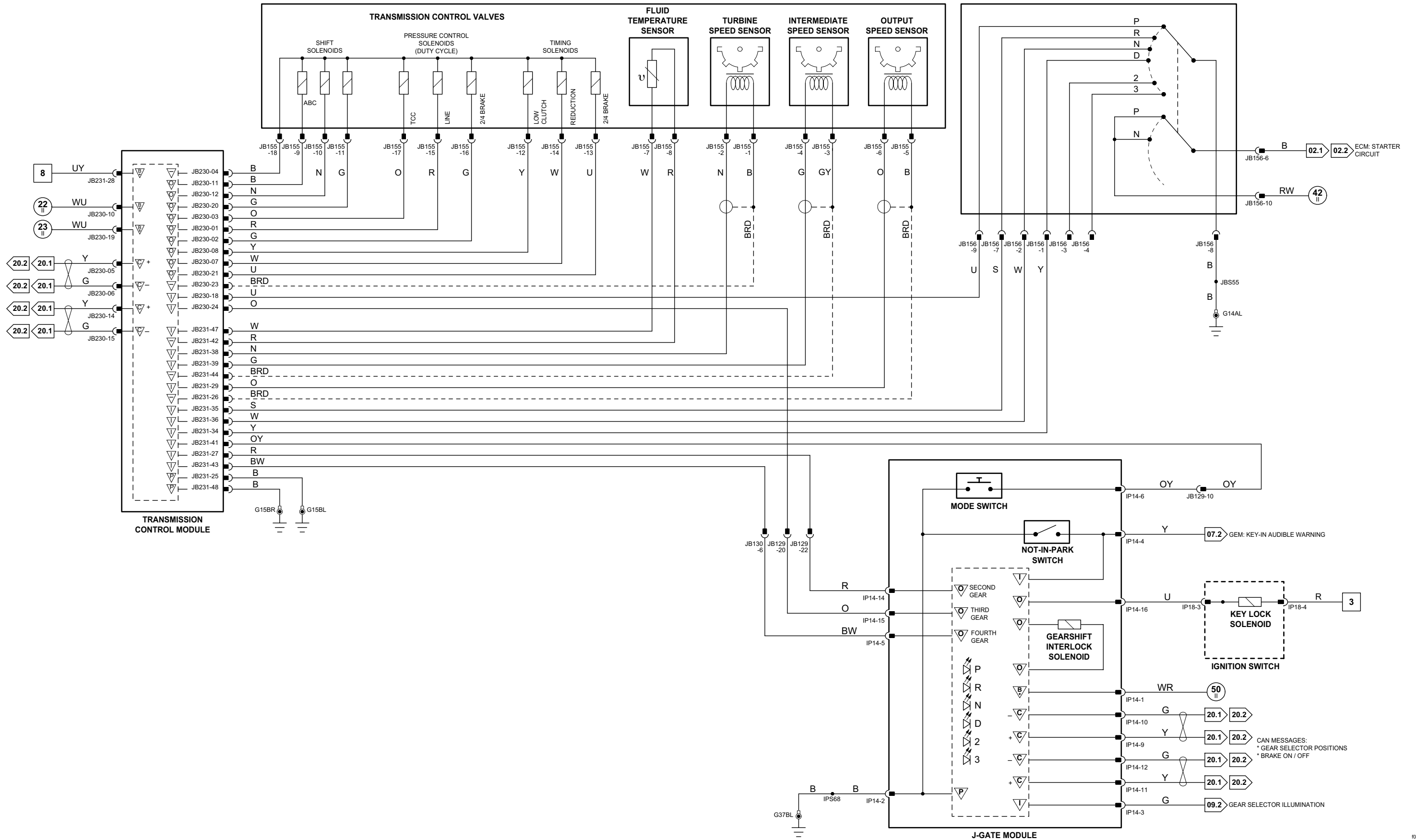
Ground	Harness	Location
G14	JB	ENGINE COMPARTMENT / BEHIND POWER DISTRIBUTION FUSEBOX
G15	CA	LOWER LH 'A' POST
G37	IP	BEHIND INSTRUMENT PANEL / RH SIDE OF CROSS CAR BEAM

FOR CONTROL MODULE PIN-OUT INFORMATION, UNFOLD PAGE TO LEFT.

Refer to the front of this book for detailed information and illustrations regarding the location and identification of harnesses, relays, fuses, grounds, control modules and control module pins.

AUTOMATIC TRANSMISSION

TRANSMISSION RANGE SENSOR



1 → 6 Fig. 01.1	34 → 79 Fig. 01.3	11 → 31 Fig. 01.5	67 → 76 Fig. 01.7	98 → 107 Fig. 01.9	Input	Battery Voltage	Sensor/Signal Supply V	CAN	D2B Network
7 → 33 Fig. 01.2	1 → 10 Fig. 01.4	32 → 66 Fig. 01.6	77 → 97 Fig. 01.8		Output	Power Ground	Sensor/Signal Ground	SCP	Serial and Encoded Data

VARIANT: 32-Bit TCM Vehicles
 VIN RANGE: All
 DATE OF ISSUE: January 2007

Anti-Lock Braking System Module

	Pin	Description and Characteristic
PG	JB45-01	MOTOR GROUND: GROUND
B+	JB45-02	BATTERY POWER SUPPLY – MOTOR: B+
PG	JB45-05	POWER GROUND: GROUND
B+	JB45-06	BATTERY POWER SUPPLY: B+
I	JB45-12	LH FRONT WHEEL SPEED SENSOR SIGNAL: 32 PULSES PER WHEEL REVOLUTION
SS	JB45-13	LH REAR WHEEL SPEED SENSOR SUPPLY VOLTAGE: B+
I	JB45-14	LH REAR WHEEL SPEED SENSOR SIGNAL: 32 PULSES PER WHEEL REVOLUTION
SS	JB45-15	RH FRONT WHEEL SPEED SENSOR SUPPLY VOLTAGE: B+
I	JB45-16	RH FRONT WHEEL SPEED SENSOR SIGNAL: 32 PULSES PER WHEEL REVOLUTION
B+	JB45-23	IGNITION SWITCHED POWER SUPPLY: B+
C	JB45-24	CAN +
O	JB45-28	LH FRONT WHEEL SPEED SENSOR SUPPLY VOLTAGE: B+
O	JB45-30	RH REAR WHEEL SPEED SENSOR SUPPLY VOLTAGE: B+
I	JB45-31	RH REAR WHEEL SPEED SENSOR SIGNAL: 32 PULSES PER WHEEL REVOLUTION
I	JB45-32	BRAKE ON / OFF SWITCH: NORMALLY OPEN / B+ WHEN ACTIVATED
C	JB45-40	CAN –

Fig. 05.1

COMPONENTS

Component	Connector(s)	Connector Description	Location
ANTI-LOCK BRAKING SYSTEM MODULE	JB45	42-WAY / BLUE	ENGINE COMPARTMENT / RH SIDE
BRAKE ON / OFF SWITCH	PA3	3-WAY / BLACK	TOP OF BRAKE PEDAL
VACUUM MODULE	JB240	5-WAY / BLACK	UNDER BATTERY TRAY
	JB241	2-WAY / BLACK	
	JB242	2-WAY / GREY	
VACUUM PUMP	VP1	2-WAY / GREY	ADJACENT TO BRAKE SERVO
WHEEL SPEED SENSOR – LH FRONT	LF1	2-WAY / BLACK	LH FRONT WHEEL HUB
WHEEL SPEED SENSOR – LH REAR: 2.0 L	LR1	2-WAY / BLACK	LH REAR WHEEL HUB
WHEEL SPEED SENSOR – LH REAR: 2.5 L, 3.0 L, Diesel	CA55	2-WAY / BLACK	LH REAR WHEEL HUB
WHEEL SPEED SENSOR – RH FRONT	RF1	2-WAY / BLACK	RH FRONT WHEEL HUB
WHEEL SPEED SENSOR – RH REAR: 2.0 L	RR1	2-WAY / BLACK	RH REAR WHEEL HUB
WHEEL SPEED SENSOR – RH REAR: 2.5 L, 3.0 L, Diesel	CA60	2-WAY / BLACK	RH REAR WHEEL HUB

HARNESS IN-LINE CONNECTORS

Connector	Connector Description / Location	Location
CA10	22-WAY / SLATE / CABIN HARNESS TO JUNCTION BOX HARNESS	LH 'A' POST / 'A' POST TRIM
CA170	16-WAY / GREEN / JUNCTION BOX HARNESS TO CABIN HARNESS	LH 'A' POST / 'A' POST TRIM
JB2	16-WAY / GREEN / ENGINE MANAGEMENT HARNESS TO JUNCTION BOX HARNESS (PEDAL ASSEMBLY)	BELOW INSTRUMENT PANEL / DRIVER SIDE
JB15	2-WAY / BLACK / JUNCTION BOX HARNESS TO RH WHEEL SPEED SENSOR LINK LEAD	BEHIND RH FRONT WHEEL ARCH LINER
JB133	2-WAY / BLACK / JUNCTION BOX HARNESS TO LH WHEEL SPEED SENSOR LINK LEAD	BEHIND LH FRONT WHEEL ARCH LINER
JB196	10-WAY / GREY / ENGINE MANAGEMENT HARNESS TO JUNCTION BOX HARNESS (PEDAL ASSEMBLY)	BELOW INSTRUMENT PANEL / DRIVER SIDE

GROUNDS

Ground	Harness	Location
G14	JB	ENGINE COMPARTMENT / BEHIND POWER DISTRIBUTION FUSEBOX
G18	JB	ENGINE COMPARTMENT / BEHIND RH HEADLAMP

FOR CONTROL MODULE PIN-OUT INFORMATION, UNFOLD PAGE TO LEFT.

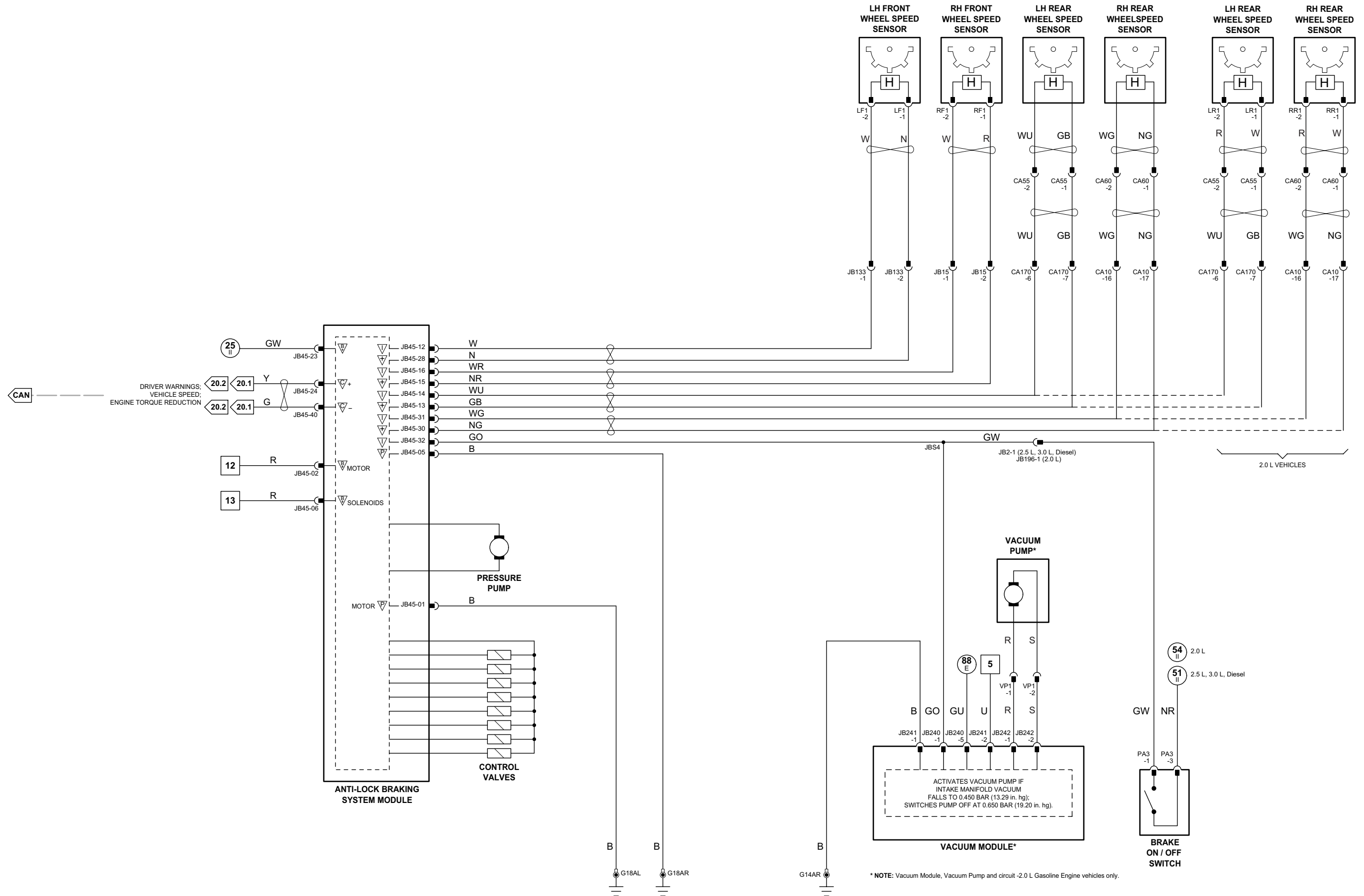
The following abbreviations are used to represent values for Control Module Pin-Out data

I	Input	PG	Power Ground	C	CAN Network	D	Serial and Encoded Data
O	Output	SS	Sensor / Signal Supply V	S	SCP Network	V	Voltage (DC)
B+	Battery Voltage	SG	Sensor / Signal Ground	D2	D2B Network	PWM	Pulse Width Modulated

CAUTION: The information on this data page is furnished to aid the user in understanding circuit operation. THIS INFORMATION SHOULD BE USED FOR REFERENCE ONLY.

NOTE: The values listed are approximately those that can be expected at the control module connector pins with all circuit connections made and all components connected and fitted.

Refer to the front of this book for detailed information and illustrations regarding the location and identification of harnesses, relays, fuses, grounds, control modules and control module pins.



1 → 6 Fig. 01.1	34 → 79 Fig. 01.3	11 → 31 Fig. 01.5	67 → 76 Fig. 01.7	98 → 107 Fig. 01.9	Input	Battery Voltage	Sensor/Signal Supply V	CAN	D2B Network
7 → 33 Fig. 01.2	1 → 10 Fig. 01.4	32 → 66 Fig. 01.6	77 → 97 Fig. 01.8		Output	Power Ground	Sensor/Signal Ground	SCP	Serial and Encoded Data

VARIANT: ABS Vehicles
VIN RANGE: All
DATE OF ISSUE: January 2007

Anti-Lock Braking / Traction Control Module

	Pin	Description and Characteristic
PG	JB197-01	MOTOR GROUND: GROUND
B+	JB197-02	BATTERY POWER SUPPLY – MOTOR: B+
PG	JB197-05	POWER GROUND: GROUND
B+	JB197-06	BATTERY POWER SUPPLY: B+
I	JB197-12	LH FRONT WHEEL SPEED SENSOR SIGNAL: 32 PULSES PER WHEEL REVOLUTION
SS	JB197-13	LH REAR WHEEL SPEED SENSOR SUPPLY VOLTAGE: B+
I	JB197-14	LH REAR WHEEL SPEED SENSOR SIGNAL: 32 PULSES PER WHEEL REVOLUTION
SS	JB197-15	RH FRONT WHEEL SPEED SENSOR SUPPLY VOLTAGE: B+
I	JB197-16	RH FRONT WHEEL SPEED SENSOR SIGNAL: 32 PULSES PER WHEEL REVOLUTION
B+	JB197-23	IGNITION SWITCHED POWER SUPPLY: B+
C	JB197-24	CAN +
I	JB197-27	TRACTION CONTROL SWITCH SIGNAL: GROUND WHEN ACTIVATED
O	JB197-28	LH FRONT WHEEL SPEED SENSOR SUPPLY VOLTAGE: B+
O	JB197-30	RH REAR WHEEL SPEED SENSOR SUPPLY VOLTAGE: B+
I	JB197-31	RH REAR WHEEL SPEED SENSOR SIGNAL: 32 PULSES PER WHEEL REVOLUTION
I	JB197-32	BRAKE ON / OFF SWITCH: NORMALLY OPEN / B+ WHEN ACTIVATED
C	JB197-40	CAN –

Fig. 05.2

COMPONENTS

Component	Connector(s)	Connector Description	Location
ANTI-LOCK BRAKING / TRACTION CONTROL MODULE	JB197	42-WAY / BLUE	ENGINE COMPARTMENT / RH SIDE
BRAKE ON / OFF SWITCH	PA3	3-WAY / BLACK	TOP OF BRAKE PEDAL
TRACTION CONTROL SWITCH	IP29	6-WAY / BLACK	INSTRUMENT PANEL
VACUUM MODULE	JB240	5-WAY / BLACK	UNDER BATTERY TRAY
	JB241	2-WAY / BLACK	
	JB242	2-WAY / GREY	
VACUUM PUMP	VP1	2-WAY / GREY	ADJACENT TO BRAKE SERVO
WHEEL SPEED SENSOR – LH FRONT	LF1	2-WAY / BLACK	LH FRONT WHEEL HUB
WHEEL SPEED SENSOR – LH REAR: 2.0 L	LR1	2-WAY / BLACK	LH REAR WHEEL HUB
WHEEL SPEED SENSOR – LH REAR: 2.5 L, 3.0 L, Diesel	CA55	2-WAY / BLACK	LH REAR WHEEL HUB
WHEEL SPEED SENSOR – RH FRONT	RF1	2-WAY / BLACK	RH FRONT WHEEL HUB
WHEEL SPEED SENSOR – RH REAR: 2.0 L	RR1	2-WAY / BLACK	RH REAR WHEEL HUB
WHEEL SPEED SENSOR – RH REAR: 2.5 L, 3.0 L, Diesel	CA60	2-WAY / BLACK	RH REAR WHEEL HUB

HARNESS IN-LINE CONNECTORS

Connector	Connector Description / Location	Location
CA10	22-WAY / SLATE / CABIN HARNESS TO JUNCTION BOX HARNESS	LH 'A' POST / 'A' POST TRIM
CA170	16-WAY / GREEN / JUNCTION BOX HARNESS TO CABIN HARNESS	LH 'A' POST / 'A' POST TRIM
JB2	16-WAY / GREEN / ENGINE MANAGEMENT HARNESS TO JUNCTION BOX HARNESS (PEDAL ASSEMBLY)	BELOW INSTRUMENT PANEL / DRIVER SIDE
JB15	2-WAY / BLACK / JUNCTION BOX HARNESS TO RH WHEEL SPEED SENSOR LINK LEAD	BEHIND RH FRONT WHEEL ARCH LINER
JB130	22-WAY / GREEN / JUNCTION BOX HARNESS TO INSTRUMENT PANEL HARNESS	BELOW INSTRUMENT PANEL / LH SIDE
JB133	2-WAY / BLACK / JUNCTION BOX HARNESS TO LH WHEEL SPEED SENSOR LINK LEAD	BEHIND LH FRONT WHEEL ARCH LINER
JB196	10-WAY / GREY / ENGINE MANAGEMENT HARNESS TO JUNCTION BOX HARNESS (PEDAL ASSEMBLY)	BELOW INSTRUMENT PANEL / DRIVER SIDE

GROUNDS

Ground	Harness	Location
G14	JB	ENGINE COMPARTMENT / BEHIND POWER DISTRIBUTION FUSEBOX
G18	JB	ENGINE COMPARTMENT / BEHIND RH HEADLAMP
G37	IP	BEHIND INSTRUMENT PANEL / RH SIDE OF CROSS CAR BEAM

FOR CONTROL MODULE PIN-OUT INFORMATION, UNFOLD PAGE TO LEFT.

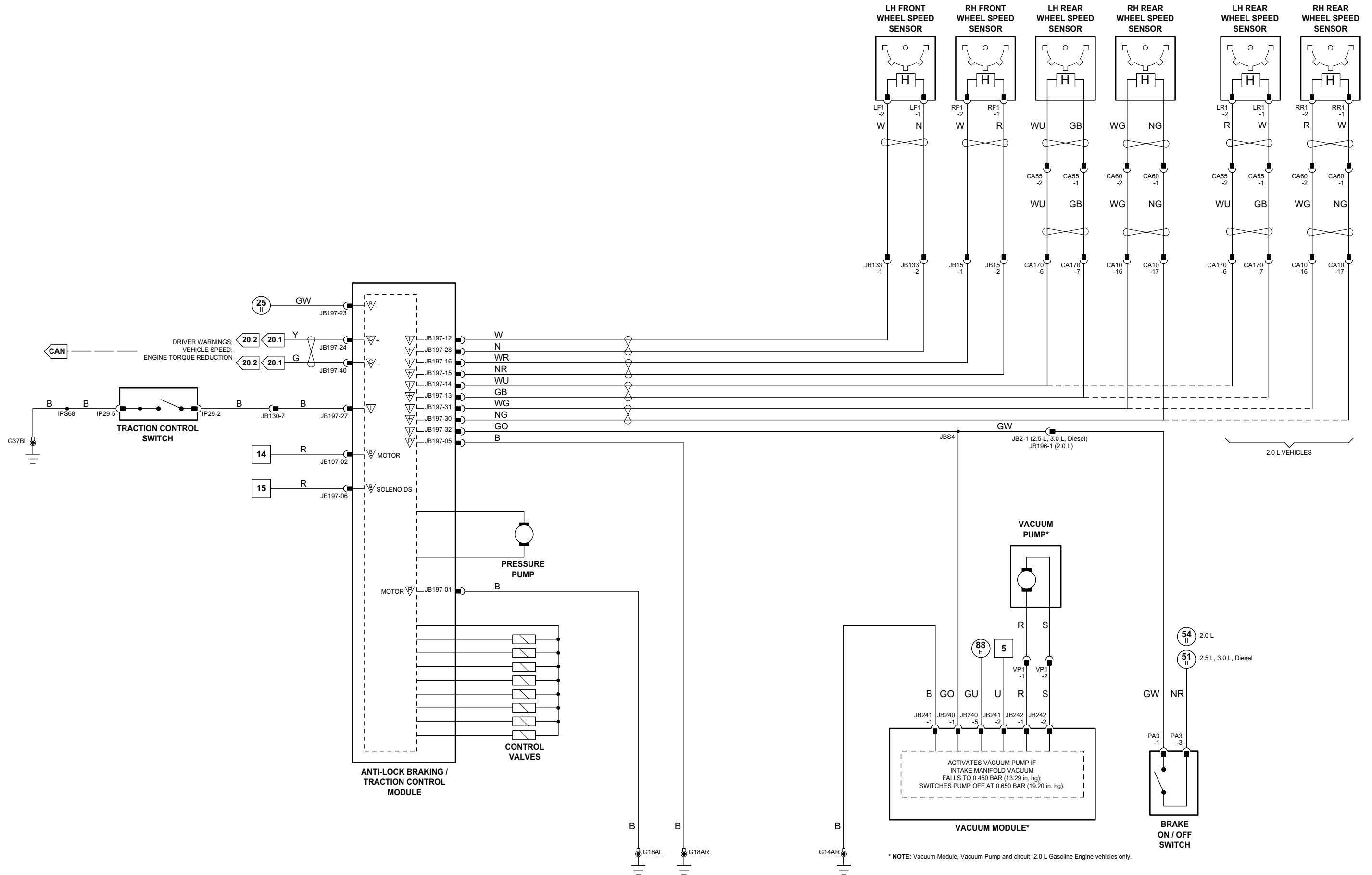
The following abbreviations are used to represent values for Control Module Pin-Out data

I	Input	PG	Power Ground	C	CAN Network	D	Serial and Encoded Data
O	Output	SS	Sensor / Signal Supply V	S	SCP Network	V	Voltage (DC)
B+	Battery Voltage	SG	Sensor / Signal Ground	D2	D2B Network	PWM	Pulse Width Modulated

CAUTION: The information on this data page is furnished to aid the user in understanding circuit operation. THIS INFORMATION SHOULD BE USED FOR REFERENCE ONLY.

NOTE: The values listed are approximately those that can be expected at the control module connector pins with all circuit connections made and all components connected and fitted.

Refer to the front of this book for detailed information and illustrations regarding the location and identification of harnesses, relays, fuses, grounds, control modules and control module pins.



* NOTE: Vacuum Module, Vacuum Pump and circuit -2.0 L Gasoline Engine vehicles only.

105_2_4000625

1 → 6 Fig. 01.1	34 → 79 Fig. 01.3	11 → 31 Fig. 01.5	67 → 76 Fig. 01.7	98 → 107 Fig. 01.9	Input	Battery Voltage	Sensor/Signal Supply V	CAN	D2B Network
7 → 33 Fig. 01.2	1 → 10 Fig. 01.4	32 → 66 Fig. 01.6	77 → 97 Fig. 01.8		Output	Power Ground	Sensor/Signal Ground	SCP	Serial and Encoded Data

VARIANT: ABS / TC Vehicles
VIN RANGE: All
DATE OF ISSUE: January 2007

Dynamic Stability Control Module

	Pin	Description and Characteristic
PG	JB185-01	MOTOR GROUND: GROUND
B+	JB185-02	BATTERY POWER SUPPLY – MOTOR: B+
PG	JB185-05	POWER GROUND: GROUND
B+	JB185-06	BATTERY POWER SUPPLY: B+
I	JB185-12	LH FRONT WHEEL SPEED SENSOR SIGNAL: 32 PULSES PER WHEEL REVOLUTION
SS	JB185-13	LH REAR WHEEL SPEED SENSOR SUPPLY VOLTAGE: B+
I	JB185-14	LH REAR WHEEL SPEED SENSOR SIGNAL: 32 PULSES PER WHEEL REVOLUTION
SS	JB185-15	RH FRONT WHEEL SPEED SENSOR SUPPLY VOLTAGE: B+
I	JB185-16	RH FRONT WHEEL SPEED SENSOR SIGNAL: 32 PULSES PER WHEEL REVOLUTION
SG	JB185-21	SENSOR GROUND – YAW RATE, STEERING ANGLE SENSORS: GROUND
B+	JB185-23	IGNITION SWITCHED POWER SUPPLY: B+
C	JB185-24	CAN +
SG	JB185-25	SENSOR GROUND – BRAKE PRESSURE SENSOR: GROUND
I	JB185-26	BRAKE PRESSURE SENSOR SIGNAL, NOMINAL 0 – 5 V: VOLTAGE INCREASES AS PRESSURE INCREASES
I	JB185-27	DYNAMIC STABILITY CONTROL SWITCH: NORMALLY OPEN / GROUND WHEN ACTIVATED
O	JB185-28	LH FRONT WHEEL SPEED SENSOR SUPPLY VOLTAGE: B+
O	JB185-30	RH REAR WHEEL SPEED SENSOR SUPPLY VOLTAGE: B+
I	JB185-31	RH REAR WHEEL SPEED SENSOR SIGNAL: 32 PULSES PER WHEEL REVOLUTION
I	JB185-32	BRAKE ON / OFF SWITCH: NORMALLY OPEN / B+ WHEN ACTIVATED
SS	JB185-39	YAW RATE, STEERING ANGLE SENSORS SUPPLY VOLTAGE: B+
C	JB185-40	CAN –
SS	JB185-42	BRAKE PRESSURE SENSOR SUPPLY VOLTAGE: NOMINAL 5 V

Fig. 05.3

COMPONENTS

Component	Connector(s)	Connector Description	Location
BRAKE ON / OFF SWITCH	PA3	3-WAY / BLACK	TOP OF BRAKE PEDAL
BRAKE PRESSURE SENSOR	JB89	3-WAY / BLACK	ON DYNAMIC STABILITY CONTROL MODULATOR
DYNAMIC STABILITY CONTROL MODULE	JB185	42-WAY / BLUE	ENGINE COMPARTMENT / RH SIDE
DYNAMIC STABILITY CONTROL SWITCH	IP29	6-WAY / BLACK	INSTRUMENT PANEL
STEERING ANGLE SENSOR	IP19	4-WAY / BLACK	STEERING COLUMN
VACUUM MODULE	JB240	5-WAY / BLACK	UNDER BATTERY TRAY
	JB241	2-WAY / BLACK	
	JB242	2-WAY / GREY	
VACUUM PUMP	VP1	2-WAY / GREY	ADJACENT TO BRAKE SERVO
WHEEL SPEED SENSOR – LH FRONT	LF1	2-WAY / BLACK	LH FRONT WHEEL HUB
WHEEL SPEED SENSOR – LH REAR: 2.0 L	LR1	2-WAY / BLACK	LH REAR WHEEL HUB
WHEEL SPEED SENSOR – LH REAR: 2.5 L, 3.0 L, Diesel	CA55	2-WAY / BLACK	LH REAR WHEEL HUB
WHEEL SPEED SENSOR – RH FRONT	RF1	2-WAY / BLACK	RH FRONT WHEEL HUB
WHEEL SPEED SENSOR – RH REAR: 2.0 L	RR1	2-WAY / BLACK	RH REAR WHEEL HUB
WHEEL SPEED SENSOR – RH REAR: 2.5 L, 3.0 L, Diesel	CA60	2-WAY / BLACK	RH REAR WHEEL HUB
YAW RATE SENSOR	IP20	4-WAY / BLACK	BEHIND CENTER CONSOLE

HARNESS IN-LINE CONNECTORS

Connector	Connector Description / Location	Location
CA10	22-WAY / SLATE / CABIN HARNESS TO JUNCTION BOX HARNESS	LH 'A' POST / 'A' POST TRIM
CA170	16-WAY / GREEN / JUNCTION BOX HARNESS TO CABIN HARNESS	LH 'A' POST / 'A' POST TRIM
JB2	16-WAY / GREEN / ENGINE MANAGEMENT HARNESS TO JUNCTION BOX HARNESS (PEDAL ASSEMBLY)	BELOW INSTRUMENT PANEL / DRIVER SIDE
JB15	2-WAY / BLACK / JUNCTION BOX HARNESS TO RH WHEEL SPEED SENSOR LINK LEAD	BEHIND RH FRONT WHEEL ARCH LINER
JB129	22-WAY / GREY / JUNCTION BOX HARNESS TO INSTRUMENT PANEL HARNESS	BELOW INSTRUMENT PANEL / LH SIDE
JB130	22-WAY / GREEN / JUNCTION BOX HARNESS TO INSTRUMENT PANEL HARNESS	BELOW INSTRUMENT PANEL / LH SIDE
JB133	2-WAY / BLACK / JUNCTION BOX HARNESS TO LH WHEEL SPEED SENSOR LINK LEAD	BEHIND LH FRONT WHEEL ARCH LINER
JB196	10-WAY / GREY / ENGINE MANAGEMENT HARNESS TO JUNCTION BOX HARNESS (PEDAL ASSEMBLY)	BELOW INSTRUMENT PANEL / DRIVER SIDE

GROUNDS

Ground	Harness	Location
G14	JB	ENGINE COMPARTMENT / BEHIND POWER DISTRIBUTION FUSEBOX
G18	JB	ENGINE COMPARTMENT / BEHIND RH HEADLAMP
G37	IP	BEHIND INSTRUMENT PANEL / RH SIDE OF CROSS CAR BEAM

FOR CONTROL MODULE PIN-OUT INFORMATION, UNFOLD PAGE TO LEFT.

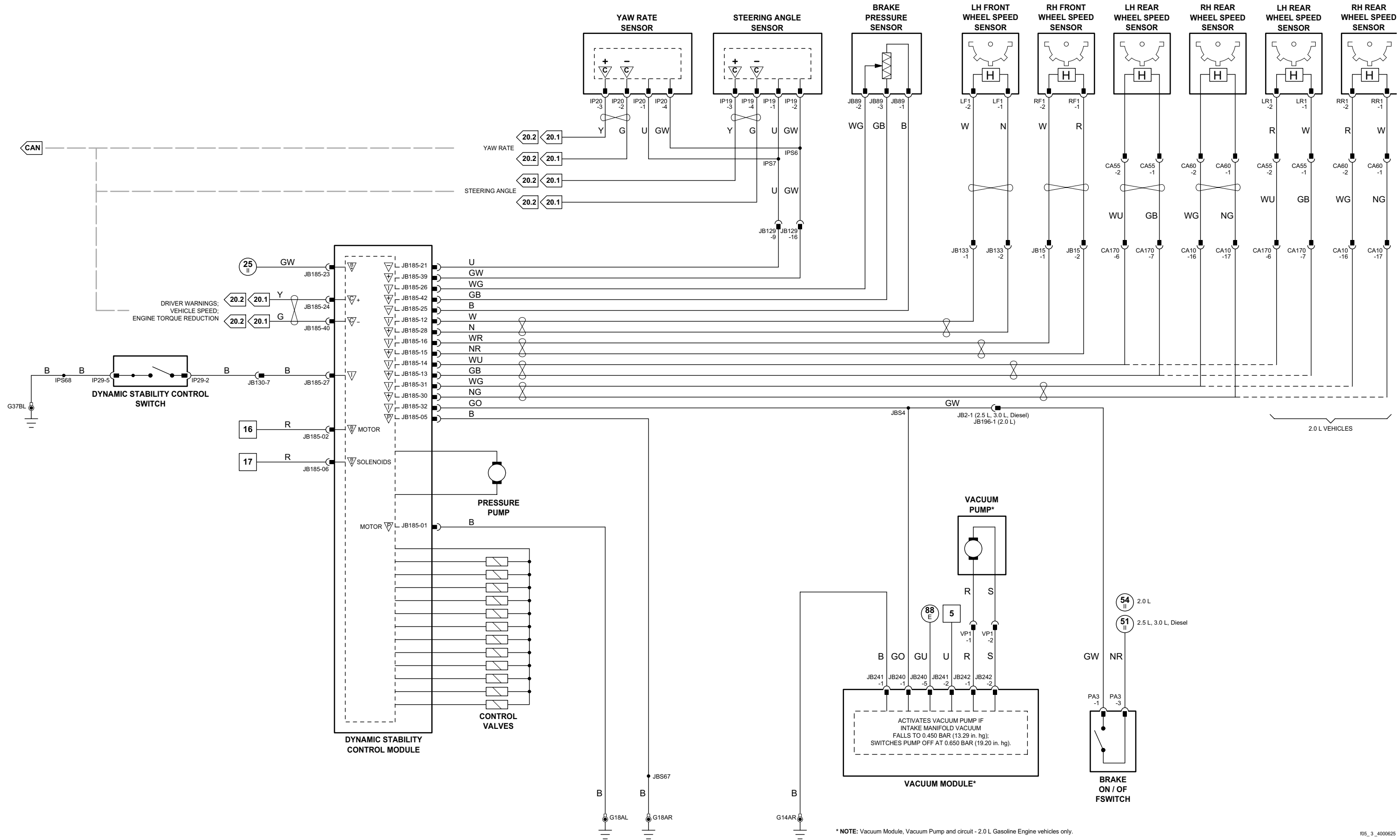
The following abbreviations are used to represent values for Control Module Pin-Out data

I	Input	PG	Power Ground	C	CAN Network	D	Serial and Encoded Data
O	Output	SS	Sensor / Signal Supply V	S	SCP Network	V	Voltage (DC)
B+	Battery Voltage	SG	Sensor / Signal Ground	D2	D2B Network	PWM	Pulse Width Modulated

CAUTION: The information on this data page is furnished to aid the user in understanding circuit operation. THIS INFORMATION SHOULD BE USED FOR REFERENCE ONLY.

NOTE: The values listed are approximately those that can be expected at the control module connector pins with all circuit connections made and all components connected and fitted.

Refer to the front of this book for detailed information and illustrations regarding the location and identification of harnesses, relays, fuses, grounds, control modules and control module pins.



* NOTE: Vacuum Module, Vacuum Pump and circuit - 2.0 L Gasoline Engine vehicles only.

105_3_4000625

1 → 6 Fig. 01.1	34 → 79 Fig. 01.3	11 → 31 Fig. 01.5	67 → 76 Fig. 01.7	98 → 107 Fig. 01.9	Input	Battery Voltage	Sensor/Signal Supply V	CAN	D2B Network
7 → 33 Fig. 01.2	1 → 10 Fig. 01.4	32 → 66 Fig. 01.6	77 → 97 Fig. 01.8		Output	Power Ground	Sensor/Signal Ground	SCP	Serial and Encoded Data

VARIANT: DSC Vehicles
VIN RANGE: All
DATE OF ISSUE: January 2007

Climate Control Module – Manual

Pin	Description and Characteristic
O	AC1-04 FRESH / RECIRCULATION FLAP ACTUATOR DRIVE: TO ACTIVATE, A/CCM SWITCHES CIRCUIT TO B+ OR TO GROUND
O	AC1-05 FRESH / RECIRCULATION FLAP ACTUATOR DRIVE: TO ACTIVATE, A/CCM SWITCHES CIRCUIT TO B+ OR TO GROUND
O	AC1-06 DEFROST DOOR ACTUATOR STEPPER COIL 1 DRIVE: TO ACTIVATE, A/CCM SWITCHES CIRCUIT TO GROUND
O	AC1-07 DEFROST DOOR ACTUATOR STEPPER COIL 2 DRIVE: TO ACTIVATE, A/CCM SWITCHES CIRCUIT TO GROUND
O	AC1-08 PANEL / FLOOR ACTUATOR STEPPER COIL 1 DRIVE: TO ACTIVATE, A/CCM SWITCHES CIRCUIT TO GROUND
O	AC1-09 PANEL / FLOOR ACTUATOR STEPPER COIL 2 DRIVE: TO ACTIVATE, A/CCM SWITCHES CIRCUIT TO GROUND
O	AC1-10 AIR TEMPERATURE BLEND ACTUATOR STEPPER COIL 1 DRIVE: TO ACTIVATE, A/CCM SWITCHES CIRCUIT TO GROUND
O	AC1-11 AIR TEMPERATURE BLEND ACTUATOR STEPPER COIL 2 DRIVE: TO ACTIVATE, A/CCM SWITCHES CIRCUIT TO GROUND
O	AC1-12 AIR TEMPERATURE BLEND ACTUATOR POWER SUPPLY: B+
O	AC1-13 DEFROST DOOR ACTUATOR POWER SUPPLY: B+
I	AC1-14 EVAPORATOR TEMPERATURE SENSOR SIGNAL, NOMINAL 0 – 5 V: NTC SENSOR – VOLTAGE DECREASES AS TEMPERATURE INCREASES
I	AC1-15 DISCHARGE TEMPERATURE SENSOR SIGNAL, NOMINAL 0 – 5 V: NTC SENSOR – VOLTAGE DECREASES AS TEMPERATURE INCREASES
SG	AC1-16 SENSOR GROUND: GROUND
O	AC1-20 DEFROST DOOR ACTUATOR STEPPER COIL 3 DRIVE: TO ACTIVATE, A/CCM SWITCHES CIRCUIT TO GROUND
O	AC1-21 DEFROST DOOR ACTUATOR STEPPER COIL 4 DRIVE: TO ACTIVATE, A/CCM SWITCHES CIRCUIT TO GROUND
O	AC1-22 PANEL / FLOOR ACTUATOR STEPPER COIL 3 DRIVE: TO ACTIVATE, A/CCM SWITCHES CIRCUIT TO GROUND
O	AC1-23 PANEL / FLOOR ACTUATOR STEPPER COIL 4 DRIVE: TO ACTIVATE, A/CCM SWITCHES CIRCUIT TO GROUND
O	AC1-24 AIR TEMPERATURE BLEND ACTUATOR STEPPER COIL 3 DRIVE: TO ACTIVATE, A/CCM SWITCHES CIRCUIT TO GROUND
O	AC1-25 AIR TEMPERATURE BLEND ACTUATOR STEPPER COIL 4 DRIVE: TO ACTIVATE, A/CCM SWITCHES CIRCUIT TO GROUND
O	AC1-26 PANEL / FLOOR ACTUATOR POWER SUPPLY: B+
O	IP39-01 BLOWER SPEED CONTROL 6: TO ACTIVATE, A/CCM SWITCHES CIRCUIT TO GROUND
O	IP39-02 BLOWER SPEED CONTROL 4: TO ACTIVATE, A/CCM SWITCHES CIRCUIT TO GROUND
O	IP39-03 BLOWER SPEED CONTROL 2: TO ACTIVATE, A/CCM SWITCHES CIRCUIT TO GROUND
O	IP39-04 BLOWER SPEED CONTROL 3: TO ACTIVATE, A/CCM SWITCHES CIRCUIT TO GROUND
O	IP39-06 BLOWER SPEED CONTROL 5: TO ACTIVATE, A/CCM SWITCHES CIRCUIT TO GROUND
B+	IP101-01 BATTERY SAVER POWER SUPPLY: B+
B+	IP101-02 IGNITION SWITCHED POWER SUPPLY: B+
I	IP101-07 BLOWER SPEED SENSE: B+ WHEN BLOWER OFF, 0 V WHEN BLOWER RUNNING
C	IP101-09 CAN +
C	IP101-10 CAN –
B+	IP101-14 BATTERY POWER SUPPLY: B+
PG	IP101-15 POWER GROUND: GROUND
I	IP101-20 DIMMER CONTROLLED ILLUMINATION: PWM, 80 Hz, GROUND = 0% DUTY CYCLE, B+ = 100% DUTY CYCLE
C	IP101-22 CAN +
C	IP101-23 CAN –
O	IP135-01 BLOWER SPEED CONTROL 1: TO ACTIVATE, A/CCM SWITCHES CIRCUIT TO GROUND
PG	IP135-02 BLOWER GROUND: GROUND

Fig. 06.1

COMPONENTS

Component	Connector(s)	Connector Description	Location
AIR CONDITIONING BLOWER RELAY	–	–	PASSENGER JUNCTION FUSEBOX – R4
AIR TEMPERATURE BLEND ACTUATOR	AC2	6-WAY / BLACK	RH SIDE OF AIR DISTRIBUTION UNIT
BLOWER – MANUAL CLIMATE CONTROL	IP58	2-WAY / GREY	LHD: BEHIND INSTRUMENT PANEL / RH SIDE RHD: BEHIND INSTRUMENT PANEL / LH SIDE
BLOWER SERIES RESISTOR	IP121	6-WAY / GREY	ADJACENT TO BLOWER MOTOR
CLIMATE CONTROL MODULE – PANEL	AC1	26-WAY / YELLOW	BEHIND CLIMATE CONTROL PANEL
	IP39	4-WAY / GREY	
	IP101	26-WAY / WHITE	
	IP135	2-WAY / GREY	
DEFROST DOOR ACTUATOR	AC4	6-WAY / BLACK	RH SIDE OF AIR DISTRIBUTION UNIT
DISCHARGE TEMPERATURE SENSOR	AC6	2-WAY / BLACK	RH SIDE OF AIR DISTRIBUTION UNIT
EVAPORATOR TEMPERATURE SENSOR	AC5	2-WAY / BLACK	RH SIDE OF AIR DISTRIBUTION UNIT
FRESH / RECIRCULATION FLAP ACTUATOR	AC7	4-WAY / BLACK	LHD: LH SIDE OF AIR DISTRIBUTION UNIT RHD: RH SIDE OF AIR DISTRIBUTION UNIT
PANEL / FLOOR ACTUATOR	AC3	6-WAY / BLACK	RH SIDE OF AIR DISTRIBUTION UNIT
PASSENGER JUNCTION FUSEBOX	–	–	PASSENGER COMPARTMENT, FRONT BULKHEAD / LH SIDE

GROUNDS

Ground	Harness	Location
G15	CA	LOWER LH 'A' POST
G36	IP	BEHIND INSTRUMENT PANEL / LH SIDE OF CROSS CAR BEAM
G37	IP	BEHIND INSTRUMENT PANEL / RH SIDE OF CROSS CAR BEAM

FOR CONTROL MODULE PIN-OUT INFORMATION, UNFOLD PAGE TO LEFT.

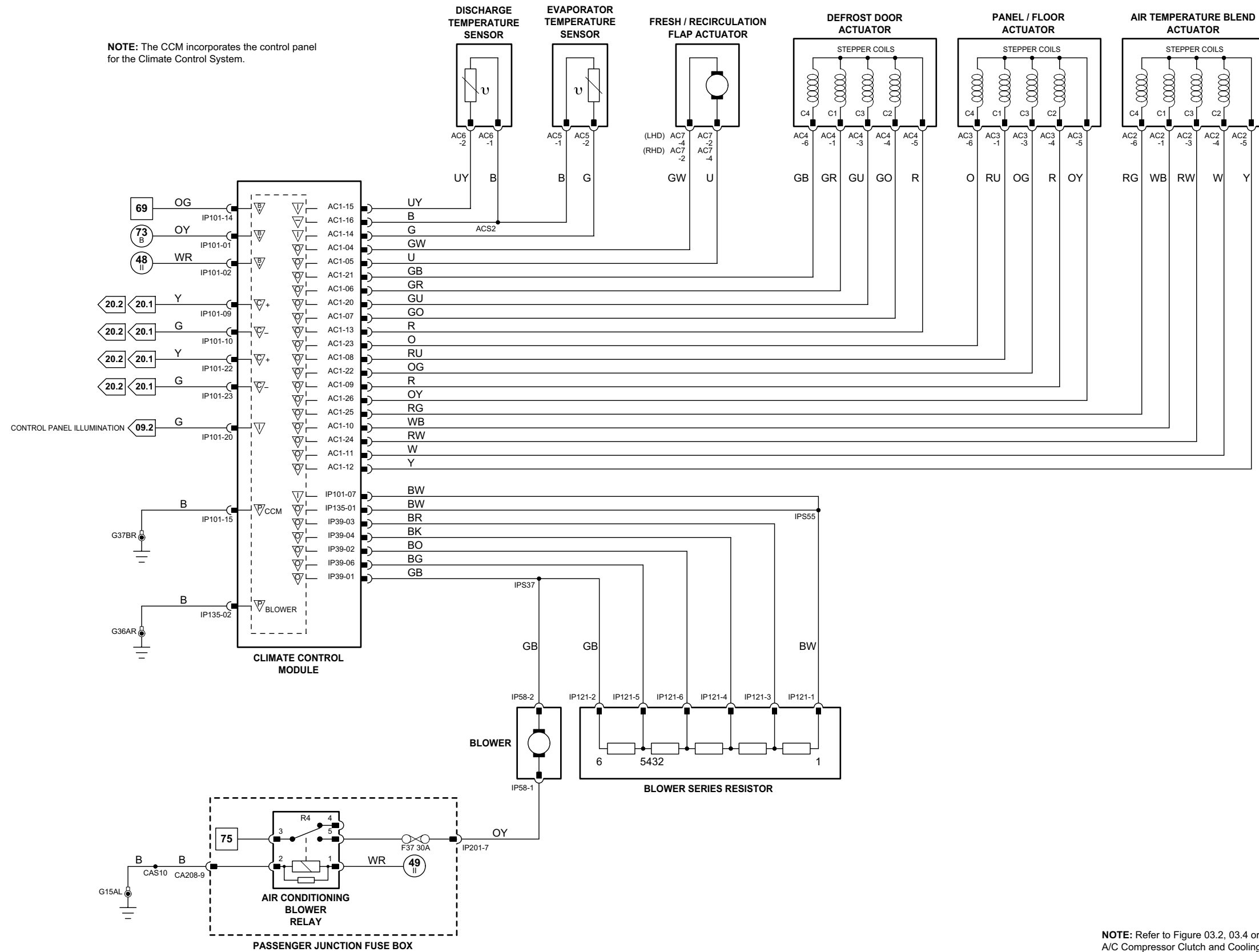
The following abbreviations are used to represent values for Control Module Pin-Out data

I	Input	PG	Power Ground	C	CAN Network	D	Serial and Encoded Data
O	Output	SS	Sensor / Signal Supply V	S	SCP Network	V	Voltage (DC)
B+	Battery Voltage	SG	Sensor / Signal Ground	D2	D2B Network	PWM	Pulse Width Modulated

CAUTION: The information on this data page is furnished to aid the user in understanding circuit operation. THIS INFORMATION SHOULD BE USED FOR REFERENCE ONLY.

NOTE: The values listed are approximately those that can be expected at the control module connector pins with all circuit connections made and all components connected and fitted.

Refer to the front of this book for detailed information and illustrations regarding the location and identification of harnesses, relays, fuses, grounds, control modules and control module pins.



NOTE: Refer to Figure 03.2, 03.4 or 03.6 for A/C Compressor Clutch and Cooling Fan circuits.

106_1_4000625

1 → 6 Fig. 01.1	34 → 79 Fig. 01.3	11 → 31 Fig. 01.5	67 → 76 Fig. 01.7	98 → 107 Fig. 01.9	Input	Battery Voltage	Sensor/Signal Supply V	CAN	D2B Network
7 → 33 Fig. 01.2	1 → 10 Fig. 01.4	32 → 66 Fig. 01.6	77 → 97 Fig. 01.8		Output	Power Ground	Sensor/Signal Ground	SCP	Serial and Encoded Data

VARIANT: Manual Climate Control Vehicles
VIN RANGE: All
DATE OF ISSUE: January 2007

Climate Control Module – Automatic

Pin	Description and Characteristic
O	AC1-04 FRESH / RECIRCULATION FLAP ACTUATOR DRIVE: TO ACTIVATE, A/CCM SWITCHES CIRCUIT TO B+ OR TO GROUND
O	AC1-05 FRESH / RECIRCULATION FLAP ACTUATOR DRIVE: TO ACTIVATE, A/CCM SWITCHES CIRCUIT TO B+ OR TO GROUND
O	AC1-06 DEFROST DOOR ACTUATOR STEPPER COIL 1 DRIVE: TO ACTIVATE, A/CCM SWITCHES CIRCUIT TO GROUND
O	AC1-07 DEFROST DOOR ACTUATOR STEPPER COIL 2 DRIVE: TO ACTIVATE, A/CCM SWITCHES CIRCUIT TO GROUND
O	AC1-08 PANEL / FLOOR ACTUATOR STEPPER COIL 1 DRIVE: TO ACTIVATE, A/CCM SWITCHES CIRCUIT TO GROUND
O	AC1-09 PANEL / FLOOR ACTUATOR STEPPER COIL 2 DRIVE: TO ACTIVATE, A/CCM SWITCHES CIRCUIT TO GROUND
O	AC1-10 AIR TEMPERATURE BLEND ACTUATOR STEPPER COIL 1 DRIVE: TO ACTIVATE, A/CCM SWITCHES CIRCUIT TO GROUND
O	AC1-11 AIR TEMPERATURE BLEND ACTUATOR STEPPER COIL 2 DRIVE: TO ACTIVATE, A/CCM SWITCHES CIRCUIT TO GROUND
O	AC1-12 AIR TEMPERATURE BLEND ACTUATOR POWER SUPPLY: B+
O	AC1-13 DEFROST DOOR ACTUATOR POWER SUPPLY: B+
I	AC1-14 EVAPORATOR TEMPERATURE SENSOR SIGNAL, NOMINAL 0 – 5 V: NTC SENSOR – VOLTAGE DECREASES AS TEMPERATURE INCREASES
I	AC1-15 DISCHARGE TEMPERATURE SENSOR SIGNAL, NOMINAL 0 – 5 V: NTC SENSOR – VOLTAGE DECREASES AS TEMPERATURE INCREASES
I	AC1-16 SENSOR GROUND: GROUND
O	AC1-20 DEFROST DOOR ACTUATOR STEPPER COIL 3 DRIVE: TO ACTIVATE, A/CCM SWITCHES CIRCUIT TO GROUND
O	AC1-21 DEFROST DOOR ACTUATOR STEPPER COIL 4 DRIVE: TO ACTIVATE, A/CCM SWITCHES CIRCUIT TO GROUND
O	AC1-22 PANEL / FLOOR ACTUATOR STEPPER COIL 3 DRIVE: TO ACTIVATE, A/CCM SWITCHES CIRCUIT TO GROUND
O	AC1-23 PANEL / FLOOR ACTUATOR STEPPER COIL 4 DRIVE: TO ACTIVATE, A/CCM SWITCHES CIRCUIT TO GROUND
O	AC1-24 AIR TEMPERATURE BLEND ACTUATOR STEPPER COIL 3 DRIVE: TO ACTIVATE, A/CCM SWITCHES CIRCUIT TO GROUND
O	AC1-25 AIR TEMPERATURE BLEND ACTUATOR STEPPER COIL 4 DRIVE: TO ACTIVATE, A/CCM SWITCHES CIRCUIT TO GROUND
O	AC1-26 PANEL / FLOOR ACTUATOR POWER SUPPLY: B+
B+	IP101-01 BATTERY SAVER POWER SUPPLY: B+
B+	IP101-02 IGNITION SWITCHED POWER SUPPLY: B+
I	IP101-05 ASPIRATOR MOTOR DRIVE: PERMANENTLY CONNECTED TO GROUND; A/CCM MONITORS CIRCUIT FOR MOTOR RUNNING CONDITION
O	IP101-06 BLOWER MOTOR CONTROL: PWM, 400 Hz, APPROXIMATELY 8% – 90%; HIGHER DUTY CYCLE = HIGHER BLOWER SPEED
I	IP101-07 BLOWER MOTOR SPEED SENSE: FREQUENCY = RPM / 20; FREQUENCY PROPORTIONAL TO BLOWER SPEED
C	IP101-09 CAN +
C	IP101-10 CAN –
B+	IP101-14 BATTERY POWER SUPPLY: B+
PG	IP101-15 POWER GROUND: GROUND
I	IP101-16 IN-CAR TEMPERATURE SENSOR SIGNAL, NOMINAL 0 – 5 V: NTC SENSOR – VOLTAGE DECREASES AS TEMPERATURE INCREASES
SG	IP101-17 SENSOR GROUND: GROUND
I	IP101-19 AMBIENT TEMPERATURE SENSOR SIGNAL, NOMINAL 0 – 5 V: NTC SENSOR – VOLTAGE DECREASES AS TEMPERATURE INCREASES
I	IP101-20 DIMMER CONTROLLED ILLUMINATION: PWM, 80 Hz, GROUND = 0% DUTY CYCLE, B+ = 100% DUTY CYCLE
O	IP101-21 AIR CONDITIONING BLOWER RELAY DRIVE: TO ACTIVATE, A/CCM SWITCHES CIRCUIT TO B+
C	IP101-22 CAN +
C	IP101-23 CAN –

The following abbreviations are used to represent values for Control Module Pin-Out data

I	Input	PG	Power Ground	C	CAN Network	D	Serial and Encoded Data
O	Output	SS	Sensor / Signal Supply V	S	SCP Network	V	Voltage (DC)
B+	Battery Voltage	SG	Sensor / Signal Ground	D2	D2B Network	PWM	Pulse Width Modulated

CAUTION: The information on this data page is furnished to aid the user in understanding circuit operation. THIS INFORMATION SHOULD BE USED FOR REFERENCE ONLY.

NOTE: The values listed are approximately those that can be expected at the control module connector pins with all circuit connections made and all components connected and fitted.

Fig. 06.2

COMPONENTS

Component	Connector(s)	Connector Description	Location
AIR CONDITIONING BLOWER RELAY	–	–	PASSENGER JUNCTION FUSEBOX – R4
AIR TEMPERATURE BLEND ACTUATOR	AC2	6-WAY / BLACK	RH SIDE OF AIR DISTRIBUTION UNIT
AMBIENT TEMPERATURE SENSOR	JB105	2-WAY / BLACK	FRONT CROSS MEMBER, ADJACENT TO RADIATOR / LH SIDE
BLOWER – AUTOMATIC CLIMATE CONTROL	IP134	6-WAY / BLACK	BEHIND INSTRUMENT PANEL / RH SIDE
CLIMATE CONTROL MODULE – REMOTE	AC1	26-WAY / YELLOW	RH SIDE OF AIR DISTRIBUTION UNIT
	IP101	26-WAY / WHITE	
DEFROST DOOR ACTUATOR	AC4	6-WAY / BLACK	RH SIDE OF AIR DISTRIBUTION UNIT
DISCHARGE TEMPERATURE SENSOR	AC6	2-WAY / BLACK	RH SIDE OF AIR DISTRIBUTION UNIT
EVAPORATOR TEMPERATURE SENSOR	AC5	2-WAY / BLACK	RH SIDE OF AIR DISTRIBUTION UNIT
FRESH / RECIRCULATION FLAP ACTUATOR	AC7	4-WAY / BLACK	LHD: LH SIDE OF AIR DISTRIBUTION UNIT RHD: RH SIDE OF AIR DISTRIBUTION UNIT
IN-CAR TEMPERATURE SENSOR	IP66	4-WAY / BLACK	BELOW INSTRUMENT PANEL CENTER RIGHT
PANEL / FLOOR ACTUATOR	AC3	6-WAY / BLACK	RH SIDE OF AIR DISTRIBUTION UNIT
PASSENGER JUNCTION FUSEBOX	–	–	PASSENGER COMPARTMENT, FRONT BULKHEAD / LH SIDE

HARNES IN-LINE CONNECTORS

Connector	Connector Description / Location	Location
JB3	14-WAY / BLUE / JUNCTION BOX HARNESS TO INSTRUMENT PANEL HARNESS	BELOW INSTRUMENT PANEL / LH SIDE

GROUNDS

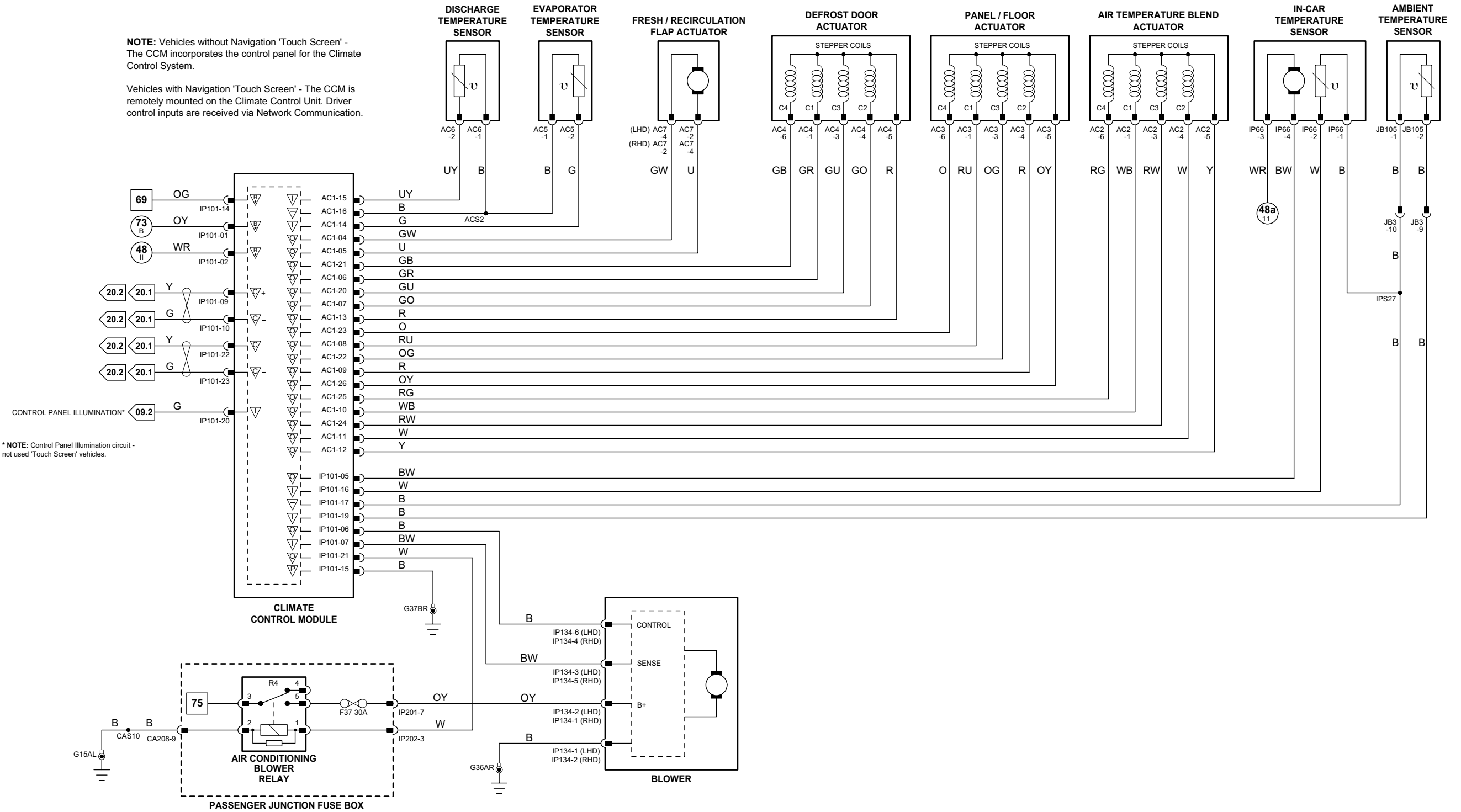
Ground	Harness	Location
G15	CA	LOWER LH 'A' POST
G36	IP	BEHIND INSTRUMENT PANEL / LH SIDE OF CROSS CAR BEAM
G37	IP	BEHIND INSTRUMENT PANEL / RH SIDE OF CROSS CAR BEAM

NOTE: FOR CONTROL MODULE PIN-OUT INFORMATION, UNFOLD PAGE TO LEFT.

Refer to the front of this book for detailed information and illustrations regarding the location and identification of harnesses, relays, fuses, grounds, control modules and control module pins.

NOTE: Vehicles without Navigation 'Touch Screen' - The CCM incorporates the control panel for the Climate Control System.

Vehicles with Navigation 'Touch Screen' - The CCM is remotely mounted on the Climate Control Unit. Driver control inputs are received via Network Communication.



NOTE: Refer to Figure 03.2, 03.4 or 03.6 for A/C Compressor Clutch and Cooling Fan circuits.

Climate Control Module – Manual or Automatic

	Pin	Description and Characteristic
O	IP101-03	WINDSHIELD HEATER RELAY DRIVE: TO ACTIVATE, A/CCM SWITCHES CIRCUIT TO GROUND
O	IP101-04	HEATED REAR WINDOW RELAY DRIVE: TO ACTIVATE, A/CCM SWITCHES CIRCUIT TO GROUND

Driver Seat Module

	Pin	Description and Characteristic
I	DM1-10	HEATED REAR WINDOW RELAY ACTIVATED SIGNAL
O	DM1-14	DOOR MIRROR MOVEMENT / HEATERS DRIVE
B+	DM2-01	BATTERY POWER SUPPLY: B+
SG	DM2-03	SIGNAL GROUND: GROUND
B+	DM2-04	IGNITION SWITCHED POWER SUPPLY II: B+
PG	DM2-05	POWER GROUND: GROUND
B+	DM2-06	BATTERY POWER SUPPLY: B+

Fig. 06.3

COMPONENTS

Component	Connector(s)	Connector Description	Location
CLIMATE CONTROL MODULE – PANEL	AC1	26-WAY / YELLOW	BEHIND CLIMATE CONTROL PANEL
	IP39	4-WAY / GREY	
	IP101	26-WAY / WHITE	
	IP135	2-WAY / GREY	
	AC1	26-WAY / YELLOW	RH SIDE OF AIR DISTRIBUTION UNIT
CLIMATE CONTROL MODULE – REMOTE	AC1	26-WAY / YELLOW	RH SIDE OF AIR DISTRIBUTION UNIT
	IP101	26-WAY / WHITE	
	DD5	22-WAY / GREY	DRIVER DOOR
	PD4	22-WAY / GREY	PASSENGER DOOR
	DD5	22-WAY / GREY	DRIVER DOOR
	PD4	22-WAY / GREY	PASSENGER DOOR
	WG5	2-WAY / BLACK	REAR WINDOW
	ZA1	1-WAY / BLACK	REAR WINDOW
	ZA10	1-WAY / BLACK	
	–	–	PASSENGER JUNCTION FUSEBOX – R6
HEATED REAR WINDOW RELAY	–	–	PASSENGER JUNCTION FUSEBOX – R6
PASSENGER JUNCTION FUSEBOX	–	–	PASSENGER COMPARTMENT, FRONT BULKHEAD / LH SIDE
POWER DISTRIBUTION FUSEBOX	–	–	ENGINE COMPARTMENT
SEAT MODULE – DRIVER	DM2	10-WAY / GREY	DRIVER SEAT SWITCH PACK
	DM3	16-WAY / BLACK	
	DM4	8-WAY / BLUE	
	DM5	8-WAY / GREEN	
WINDSHIELD HEATER – LH	JB95	2-WAY / BLACK	WINDSHIELD / LH SIDE
WINDSHIELD HEATER – RH	JB96	2-WAY / BLACK	WINDSHIELD / RH SIDE
WINDSHIELD HEATER RELAY	–	–	POWER DISTRIBUTION FUSEBOX – R6

HARNESS IN-LINE CONNECTORS

Connector	Connector Description / Location	Location
CA15	20-WAY / BLACK / CABIN HARNESS TO DRIVER DOOR HARNESS	DRIVER DOOR / DOOR CASING
CA16	20-WAY / BLACK / CABIN HARNESS TO DRIVER DOOR HARNESS	DRIVER DOOR / DOOR CASING
CA20	20-WAY / BLACK / CABIN HARNESS TO PASSENGER DOOR HARNESS	PASSENGER DOOR / DOOR CASING
CA21	20-WAY / BLACK / CABIN HARNESS TO PASSENGER DOOR HARNESS	PASSENGER DOOR / DOOR CASING
CA127	2-WAY / BLACK / CABIN HARNESS TO HEATER REAR WINDOW HARNESS	BEHIND LH 'E' POST TRIM
CA431	16-WAY / GREY / CABIN HARNESS TO DRIVER SEAT HARNESS	UNDER DRIVER SEAT
JB130	22-WAY / GREEN / JUNCTION BOX HARNESS TO INSTRUMENT PANEL HARNESS	BELOW INSTRUMENT PANEL / LH SIDE
WG3	3-WAY / BLACK / CABIN HARNESS TO TAIL GATE GLASS HARNESS	ROOF / CENTER REAR

GROUNDS

Ground	Harness	Location
G3	C03	LH 'E' POST
G4	CA	LOWER RH 'A' POST
G14	JB	ENGINE COMPARTMENT / BEHIND POWER DISTRIBUTION FUSEBOX
G15	CA	LOWER LH 'A' POST
G50	CA	HEADLINER / RH REAR ROOF PANEL

FOR CONTROL MODULE PIN-OUT INFORMATION, UNFOLD PAGE TO LEFT.

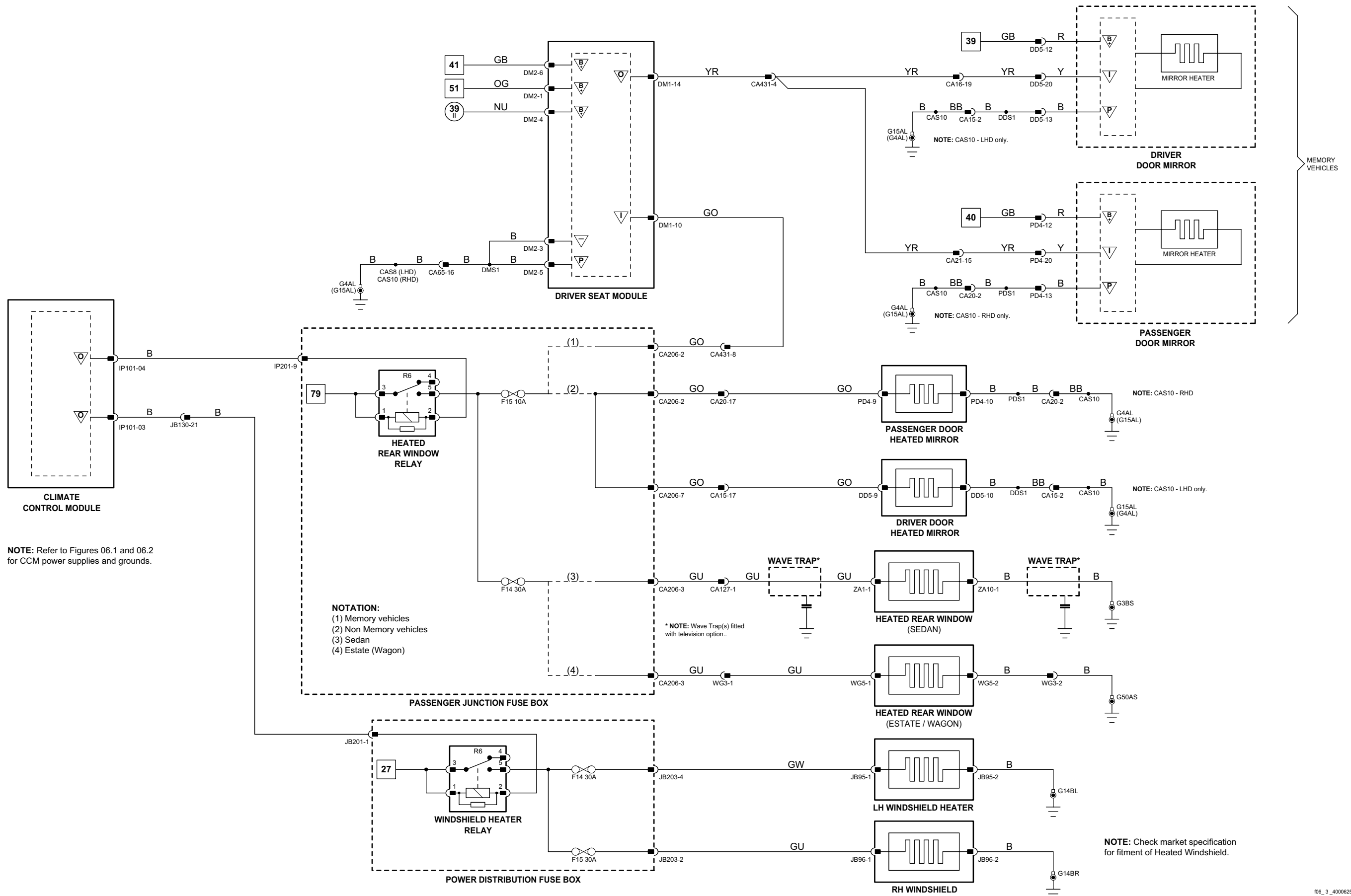
The following abbreviations are used to represent values for Control Module Pin-Out data

I	Input	PG	Power Ground	C	CAN Network	D	Serial and Encoded Data
O	Output	SS	Sensor / Signal Supply V	S	SCP Network	V	Voltage (DC)
B+	Battery Voltage	SG	Sensor / Signal Ground	D2	D2B Network	PWM	Pulse Width Modulated

CAUTION: The information on this data page is furnished to aid the user in understanding circuit operation. THIS INFORMATION SHOULD BE USED FOR REFERENCE ONLY.

NOTE: The values listed are approximately those that can be expected at the control module connector pins with all circuit connections made and all components connected and fitted.

Refer to the front of this book for detailed information and illustrations regarding the location and identification of harnesses, relays, fuses, grounds, control modules and control module pins.



106_3_4000625

1 → 6 Fig. 01.1	34 → 79 Fig. 01.3	11 → 31 Fig. 01.5	67 → 76 Fig. 01.7	98 → 107 Fig. 01.9	Input	Battery Voltage	Sensor/Signal Supply V	CAN	D2B Network
7 → 33 Fig. 01.2	1 → 10 Fig. 01.4	32 → 66 Fig. 01.6	77 → 97 Fig. 01.8		Output	Power Ground	Sensor/Signal Ground	SCP	Serial and Encoded Data

VARIANT: All Vehicles
VIN RANGE: All
DATE OF ISSUE: January 2007

General Electronic Module

	Pin	Description and Characteristic
S	IP5-18	SCP -
S	IP5-19	SCP +
I	IP6-18	SEAT BELT AND AIRBAG AUDIBLE WARNING REQUEST: AUDIBLE WARNING REQUEST ACTIVE = GROUND

Instrument Cluster

	Pin	Description and Characteristic
I	IP10-01	REVERSE LAMP SWITCH: B+ WHEN ACTIVATED
I	IP10-07	FUEL LEVEL SENSOR 1 SIGNAL: VARIABLE RESISTANCE: 20 R = EMPTY; 160 R = FULL
I	IP10-08	FUEL LEVEL SENSOR 2 SIGNAL: VARIABLE RESISTANCE: 20 R = EMPTY; 160 R = FULL
SG	IP10-09	FUEL LEVEL SENSOR REFERENCE: GROUND
I	IP10-10	MAIN BEAM STATUS: B+ WHEN ACTIVATED
I	IP10-11	WASHER FLUID LEVEL LOW SIGNAL: FLUID LEVEL LOW = GROUND
I	IP10-12	BRAKE FLUID LEVEL WARNING SIGNAL: FLUID LEVEL LOW = GROUND
I	IP10-15	PARKING BRAKE SIGNAL: PARKING BRAKE ON = GROUND
I	IP10-16	TRIP COMPUTER CYCLE SWITCH: GROUND WHEN ACTIVATED
C	IP10-17	CAN +
C	IP10-18	CAN -
I	IP10-19	FRONT FOG STATUS (HARD WIRED TO INDICATOR): B+ WHEN ACTIVATED
I	IP10-20	REAR FOG STATUS (HARD WIRED TO INDICATOR): B+ WHEN ACTIVATED
S	IP10-22	SCP +
S	IP10-23	SCP -
I	IP10-24	TRIP COMPUTER MODE SIGNAL: STEPPED RESISTANCE
SG	IP10-25	TRIP COMPUTER SWITCH PACK REFERENCE: GROUND
I	IP11-05	ENGINE OIL PRESSURE SIGNAL: ENGINE OIL PRESSURE PRESENT = GROUND
I	IP11-07	BATTERY POWER SUPPLY: B+
I	IP11-08	POWER GROUND: GROUND
I	IP11-11	IGNITION SWITCHED POWER SUPPLY (II): B+
I	IP11-13	IGNITION SWITCHED POWER SUPPLY (I): B+
I	IP11-15	SIDE LAMPS STATUS: B+ WHEN ACTIVATED
I	IP11-17	DIP BEAM STATUS: B+ WHEN ACTIVATED
I	IP11-19	AIR BAG WARNING: HARD WIRED TO AIR BAG INDICATOR
I	IP11-21	DIMMER CONTROLLED ILLUMINATION: PWM, 80 Hz, GROUND = 0% DUTY CYCLE, B+ = 100% DUTY CYCLE; HARD WIRED TO BACK LIGHTING; MICRO SENSED FOR DISPLAY

Fig. 07.1

COMPONENTS

Component	Connector(s)	Connector Description	Location
BRAKE FLUID LEVEL SWITCH	JB70	3-WAY / BLACK	BRAKE MASTER CYLINDER
FUEL LEVEL SENSOR - 2.0 L, Diesel	CA415	6-WAY / BLACK	FUEL TANK
FUEL LEVEL SENSOR 1 - 2.5 L, 3.0 L (NAS)	FT6	6-WAY / BLACK	FUEL TANK
FUEL LEVEL SENSOR 1 - 2.5 L, 3.0 L (ROW)	FT2	4-WAY / BLACK	FUEL TANK
FUEL LEVEL SENSOR 2 - 2.5 L, 3.0 L (NAS)	FT6	6-WAY / BLACK	FUEL TANK
FUEL LEVEL SENSOR 2 - 2.5 L, 3.0 L (ROW)	FT3	4-WAY / BLACK	FUEL TANK
GENERAL ELECTRONIC MODULE	CA86	23-WAY / GREY	BEHIND INSTRUMENT PANEL / RH SIDE
	CA87	23-WAY / GREEN	
	IP5	23-WAY / BROWN	
	IP6	23-WAY / NATURAL	
	JB172	23-WAY / BLUE	
INSTRUMENT CLUSTER	IP10	26-WAY / WHITE	INSTRUMENT PANEL
	IP11	26-WAY / WHITE	
MASTER LIGHTING SWITCH	IP17	16-WAY / BLACK	INSTRUMENT PANEL
OIL PRESSURE SWITCH - Diesel	DE4	1-WAY / BLACK	ABOVE ENGINE OIL FILTER
OIL PRESSURE SWITCH - 2.0 L, 2.5 L, 3.0 L	EN19	1-WAY / BLACK	ADJACENT TO ENGINE OIL FILTER
PARKING BRAKE SWITCH	IP72	1-WAY / ORANGE	PARKING BRAKE
RESTRAINTS CONTROL MODULE - ALL WHEEL DRIVE VEHICLES	CA450	40-WAY / BLACK	UNDER CENTER CONSOLE
	IP74	24-WAY / BLACK	
RESTRAINTS CONTROL MODULE - FRONT WHEEL DRIVE VEHICLES	CA165	40-WAY / BLACK	UNDER CENTER CONSOLE
	IP74	24-WAY / BLACK	
TURN SIGNAL SWITCH	IP53	10-WAY / GREY	STEERING COLUMN
WASHER FLUID LEVEL SWITCH	JB103	2-WAY / BLACK	ENGINE COMPARTMENT / RH FRONT

HARNESS IN-LINE CONNECTORS

Connector	Connector Description / Location	Location
CA1	22-WAY / NATURAL / INSTRUMENT PANEL HARNESS TO CABIN HARNESS	LH 'A' POST / 'A' POST TRIM
CA5	12-WAY / BLACK / FUEL TANK LINK HARNESS TO CABIN HARNESS	TOP OF FUEL TANK
CA169	4-WAY / GREY / CABIN HARNESS TO INSTRUMENT PANEL HARNESS	LH LOWER A POST / A POST TRIM
CA240	12-WAY / GREY / CABIN HARNESS TO INSTRUMENT PANEL HARNESS	LH LOWER 'A' POST / 'A' POST TRIM
DL2	42-WAY / BLACK / ENGINE HARNESS TO ENGINE MANAGEMENT HARNESS	ENGINE COMPARTMENT / RH SIDE
JB1	42-WAY / BLACK / ENGINE MANAGEMENT HARNESS TO JUNCTION BOX HARNESS	ENGINE COMPARTMENT / LH SIDE
JB129	22-WAY / GREY / JUNCTION BOX HARNESS TO INSTRUMENT PANEL HARNESS	BELOW INSTRUMENT PANEL / LH SIDE

GROUNDS

Ground	Harness	Location
G10	JB	ENGINE COMPARTMENT / BEHIND RH HEADLAMP
G14	JB	ENGINE COMPARTMENT / BEHIND POWER DISTRIBUTION FUSEBOX
G36	IP	BEHIND INSTRUMENT PANEL / LH SIDE OF CROSS CAR BEAM
G37	IP	BEHIND INSTRUMENT PANEL / RH SIDE OF CROSS CAR BEAM

FOR CONTROL MODULE PIN-OUT INFORMATION, UNFOLD PAGE TO LEFT.

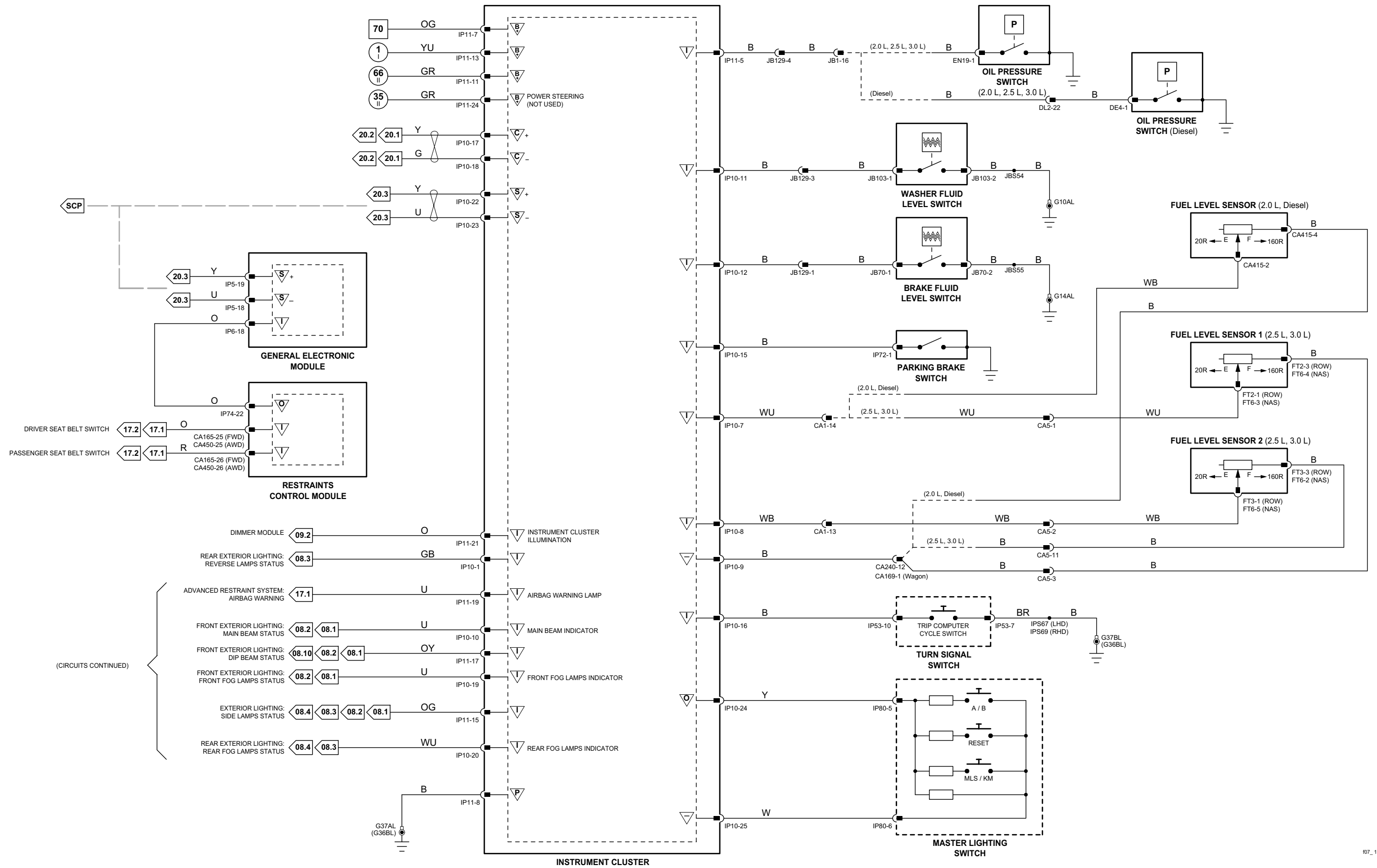
The following abbreviations are used to represent values for Control Module Pin-Out data

I	Input	PG	Power Ground	C	CAN Network	D	Serial and Encoded Data
O	Output	SS	Sensor / Signal Supply V	S	SCP Network	V	Voltage (DC)
B+	Battery Voltage	SG	Sensor / Signal Ground	D2	D2B Network	PWM	Pulse Width Modulated

CAUTION: The information on this data page is furnished to aid the user in understanding circuit operation. THIS INFORMATION SHOULD BE USED FOR REFERENCE ONLY.

NOTE: The values listed are approximately those that can be expected at the control module connector pins with all circuit connections made and all components connected and fitted.

Refer to the front of this book for detailed information and illustrations regarding the location and identification of harnesses, relays, fuses, grounds, control modules and control module pins.



107_1_4000625

General Electronic Module

	Pin	Description and Characteristic
PG	CA86-05	POWER GROUND
S	IP5-18	SCP -
S	IP5-19	SCP +
SG	IP6-01	LOGIC GROUND: GROUND
I	IP6-08	KEY-IN IGNITION SWITCH: B+ WHEN KEY IN
I	IP6-15	NOT-IN-PARK SWITCH: PARK = OPEN CIRCUIT; NOT-IN-PARK = GROUND
I	IP6-18	SEAT BELT AND AIRBAG AUDIBLE WARNING REQUEST: AUDIBLE WARNING REQUEST ACTIVE = GROUND
I	IP6-22	DRIVER DOOR AJAR: DOOR OPEN = OPEN CIRCUIT; DOOR CLOSED = GROUND
B+	JB172-05	BATTERY POWER SUPPLY (TURN SIGNALS): B+

Instrument Cluster

	Pin	Description and Characteristic
S	IP10-22	SCP +
S	IP10-23	SCP -

Fig. 07.2

COMPONENTS

Component	Connector(s)	Connector Description	Location
DOOR LATCH - DRIVER	DD3	8-WAY / BLACK	DRIVER DOOR
	DD9	2-WAY / BLACK	
GENERAL ELECTRONIC MODULE	CA86	23-WAY / GREY	BEHIND INSTRUMENT PANEL / RH SIDE
	CA87	23-WAY / GREEN	
	IP5	23-WAY / BROWN	
	IP6	23-WAY / NATURAL	
	JB172	23-WAY / BLUE	
IGNITION SWITCH	IP18	7-WAY / BLACK	STEERING COLUMN
INSTRUMENT CLUSTER	IP10	26-WAY / WHITE	INSTRUMENT PANEL
	IP11	26-WAY / WHITE	
J-GATE MODULE	IP14	16-WAY / GREY	CENTER CONSOLE
RESTRAINTS CONTROL MODULE - ALL WHEEL DRIVE VEHICLES	CA450	40-WAY / BLACK	UNDER CENTER CONSOLE
	IP74	24-WAY / BLACK	
RESTRAINTS CONTROL MODULE - FRONT WHEEL DRIVE VEHICLES	CA165	40-WAY / BLACK	UNDER CENTER CONSOLE
	IP74	24-WAY / BLACK	

HARNESS IN-LINE CONNECTORS

Connector	Connector Description / Location	Location
CA1	22-WAY / NATURAL / INSTRUMENT PANEL HARNESS TO CABIN HARNESS	LH 'A' POST / 'A' POST TRIM
CA15	20-WAY / BLACK / CABIN HARNESS TO DRIVER DOOR HARNESS	DRIVER DOOR / DOOR CASING

GROUNDS

Ground	Harness	Location
G4	CA	LOWER RH 'A' POST
G5	IP	UPPER RH 'A' POST

FOR CONTROL MODULE PIN-OUT INFORMATION, UNFOLD PAGE TO LEFT.

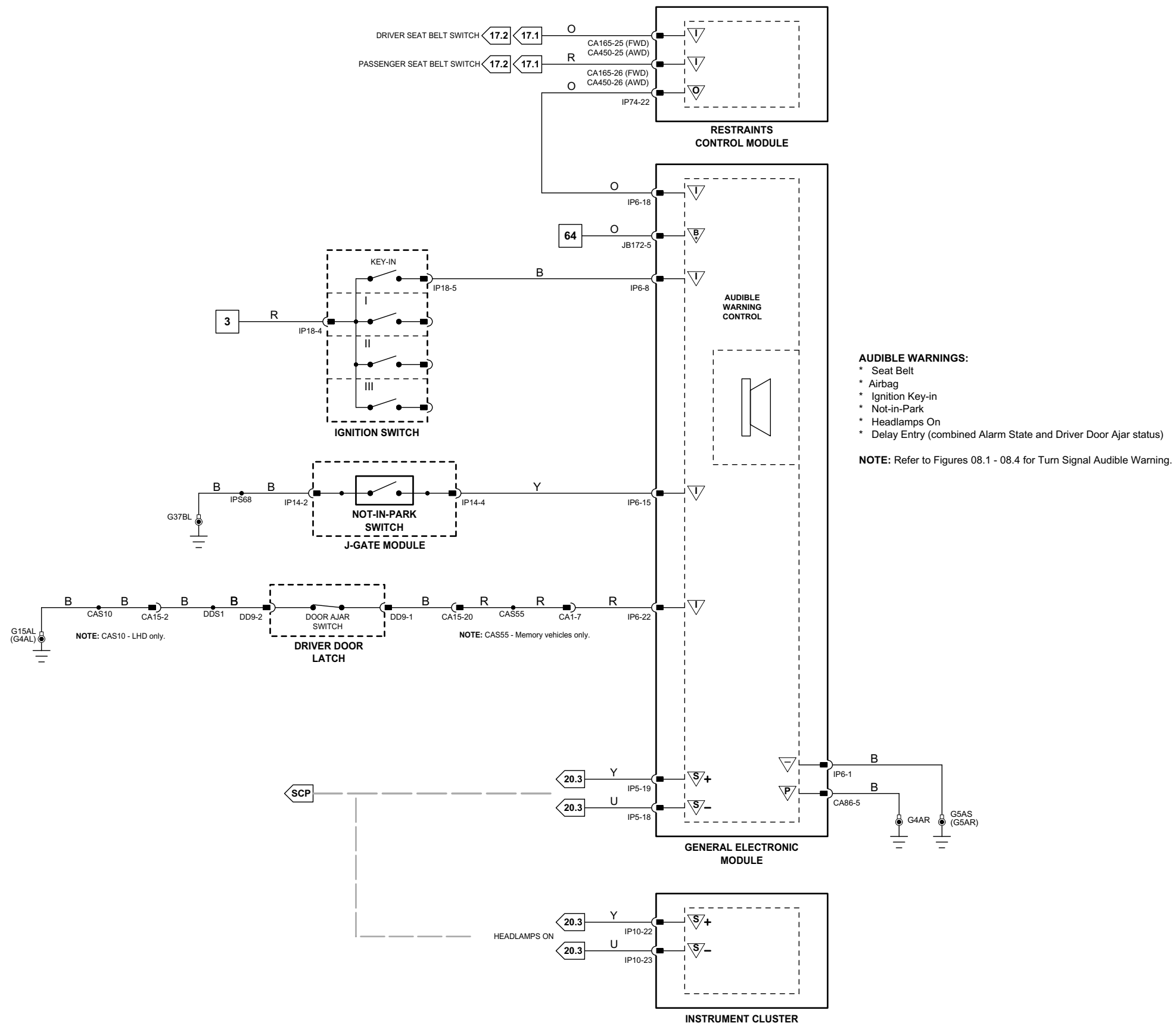
The following abbreviations are used to represent values for Control Module Pin-Out data

I	Input	PG	Power Ground	C	CAN Network	D	Serial and Encoded Data
O	Output	SS	Sensor / Signal Supply V	S	SCP Network	V	Voltage (DC)
B+	Battery Voltage	SG	Sensor / Signal Ground	D2	D2B Network	PWM	Pulse Width Modulated

CAUTION: The information on this data page is furnished to aid the user in understanding circuit operation. THIS INFORMATION SHOULD BE USED FOR REFERENCE ONLY.

NOTE: The values listed are approximately those that can be expected at the control module connector pins with all circuit connections made and all components connected and fitted.

Refer to the front of this book for detailed information and illustrations regarding the location and identification of harnesses, relays, fuses, grounds, control modules and control module pins.



107_2_4000625

General Electronic Module

	Pin	Description and Characteristic
PG	CA86-05	POWER GROUND
I	IP5-03	SEDAN (EXCEPT JAPAN AND S. KOREA): EXTERNAL ANTENNA
S	IP5-18	SCP -
S	IP5-19	SCP +
O	IP5-22	TURN SIGNAL AUDIBLE WARNING: TO ACTIVATE, GEM SWITCHES CIRCUIT TO B+
I	IP5-23	REMOTE RF SIGNAL
SG	IP6-01	LOGIC GROUND: GROUND
I	IP6-09	HEADLAMP FLASH SWITCH: GROUND WHEN SELECTED
I	IP6-11	MAIN BEAM SWITCH: GROUND WHEN SELECTED
O	IP6-13	MAIN BEAM / FRONT FOG RELAY DRIVE: TO ACTIVATE, GEM SWITCHES CIRCUIT TO B+
I	IP6-17	LH TURN SIGNAL SWITCH: GROUND WHEN SELECTED
I	IP6-19	RH TURN SIGNAL SWITCH: GROUND WHEN SELECTED
I	IP6-23	HAZARD SWITCH: GROUND WHEN SELECTED
O	JB172-03	RH FRONT TURN SIGNAL: TO ACTIVATE, GEM SWITCHES CIRCUIT TO B+
O	JB172-04	LH FRONT TURN SIGNAL: TO ACTIVATE, GEM SWITCHES CIRCUIT TO B+
B+	JB172-05	BATTERY POWER SUPPLY (TURN SIGNALS): B+

Fig. 08.1

COMPONENTS

Component	Connector(s)	Connector Description	Location
AUTO HEADLAMPS SENSOR	RC5	5-WAY / BLACK	BEHIND REAR VIEW MIRROR
DIP BEAM RELAY	-	-	POWER DISTRIBUTION FUSEBOX - R11
FOG LAMP - LH FRONT	FB1	2-WAY / BLACK	FRONT BUMPER / LH SIDE
FOG LAMP - RH FRONT	FB3	2-WAY / BLACK	FRONT BUMPER / RH SIDE
GENERAL ELECTRONIC MODULE	CA86	23-WAY / GREY	BEHIND INSTRUMENT PANEL / RH SIDE
	CA87	23-WAY / GREEN	
	IP5	23-WAY / BROWN	
	IP6	23-WAY / NATURAL	
	JB172	23-WAY / BLUE	
GLOVE BOX LAMP	IP25	2-WAY / BROWN	GLOVE BOX
HAZARD SWITCH	IP51	6-WAY / BLACK	CENTER CONSOLE
HEADLAMP UNIT - LH	JB84	10-WAY / BLACK	ENGINE COMPARTMENT / LH SIDE
HEADLAMP UNIT - RH	JB85	10-WAY / BLACK	ENGINE COMPARTMENT / RH SIDE
MAIN BEAM / FRONT FOG RELAY	-	-	POWER DISTRIBUTION FUSEBOX - R1
MASTER LIGHTING SWITCH	IP17	16-WAY / BLACK	INSTRUMENT PANEL
PASSENGER JUNCTION FUSEBOX	-	-	PASSENGER COMPARTMENT, FRONT BULKHEAD / LH SIDE
POWER DISTRIBUTION FUSEBOX	-	-	ENGINE COMPARTMENT
RF MODULE	RC35	3-WAY / BLACK	ROOF CONSOLE
SIDE MARKER LAMP - LH FRONT	FB2	2-WAY / BLACK	FRONT BUMPER / LH SIDE
SIDE MARKER LAMP - RH FRONT	FB4	2-WAY / BLACK	FRONT BUMPER / RH SIDE
TURN SIGNAL REPEATER - LH FRONT	JB132	2-WAY / BLACK	LH FRONT FENDER
TURN SIGNAL REPEATER - RH FRONT	JB98	2-WAY / BLACK	RH FRONT FENDER
TURN SIGNAL SWITCH	IP53	10-WAY / GREY	STEERING COLUMN

HARNES IN-LINE CONNECTORS

Connector	Connector Description / Location	Location
CA1	22-WAY / NATURAL / INSTRUMENT PANEL HARNESS TO CABIN HARNESS	LH 'A' POST / 'A' POST TRIM
CA36	16-WAY / GREEN / CABIN HARNESS TO ROOF HARNESS	LH 'A' POST / WINDSHIELD PILLAR
CA40	16-WAY / GREY / CABIN HARNESS TO ROOF HARNESS	RH 'A' POST / WINDSHIELD PILLAR
CA240	12-WAY / GREY / CABIN HARNESS TO INSTRUMENT PANEL HARNESS	LH LOWER 'A' POST / 'A' POST TRIM
JB3	14-WAY / BLUE / JUNCTION BOX HARNESS TO INSTRUMENT PANEL HARNESS	BELOW INSTRUMENT PANEL / LH SIDE
JB129	22-WAY / GREY / JUNCTION BOX HARNESS TO INSTRUMENT PANEL HARNESS	BELOW INSTRUMENT PANEL / LH SIDE
JB173	10-WAY / BLACK / JUNCTION BOX HARNESS TO FRONT BUMPER HARNESS	BEHIND LH FRONT WHEEL ARCH LINER

GROUNDS

Ground	Harness	Location
G4	CA	LOWER RH 'A' POST
G5	IP	UPPER RH 'A' POST
G10	JB	ENGINE COMPARTMENT / BEHIND RH HEADLAMP
G11	JB	ENGINE COMPARTMENT / BEHIND LH HEADLAMP
G14	JB	ENGINE COMPARTMENT / BEHIND POWER DISTRIBUTION FUSEBOX
G15	CA	LOWER LH 'A' POST
G36	IP	BEHIND INSTRUMENT PANEL / LH SIDE OF CROSS CAR BEAM
G37	IP	BEHIND INSTRUMENT PANEL / RH SIDE OF CROSS CAR BEAM

FOR CONTROL MODULE PIN-OUT INFORMATION, UNFOLD PAGE TO LEFT.

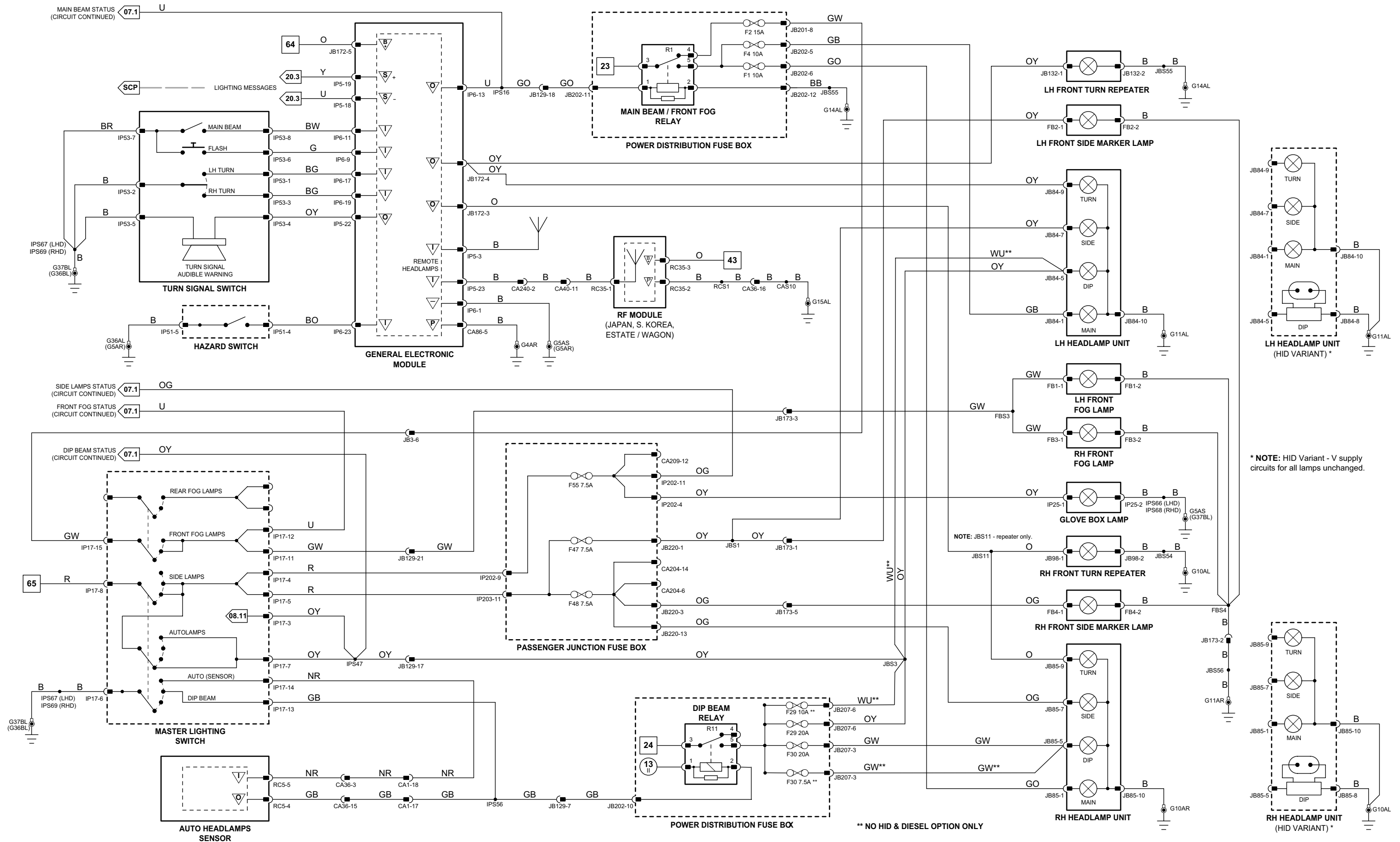
The following abbreviations are used to represent values for Control Module Pin-Out data

I	Input	PG	Power Ground	C	CAN Network	D	Serial and Encoded Data
O	Output	SS	Sensor / Signal Supply V	S	SCP Network	V	Voltage (DC)
B+	Battery Voltage	SG	Sensor / Signal Ground	D2	D2B Network	PWM	Pulse Width Modulated

CAUTION: The information on this data page is furnished to aid the user in understanding circuit operation. THIS INFORMATION SHOULD BE USED FOR REFERENCE ONLY.

NOTE: The values listed are approximately those that can be expected at the control module connector pins with all circuit connections made and all components connected and fitted.

Refer to the front of this book for detailed information and illustrations regarding the location and identification of harnesses, relays, fuses, grounds, control modules and control module pins.



* NOTE: HID Variant - V supply circuits for all lamps unchanged.

** NO HID & DIESEL OPTION ONLY

1 → 6 Fig. 01.1	34 → 79 Fig. 01.3	11 → 31 Fig. 01.5	67 → 76 Fig. 01.7	98 → 107 Fig. 01.9	Input	Battery Voltage	Sensor/Signal Supply V	CAN	D2B Network
7 → 33 Fig. 01.2	1 → 10 Fig. 01.4	32 → 66 Fig. 01.6	77 → 97 Fig. 01.8		Output	Power Ground	Sensor/Signal Ground	SCP	Serial and Encoded Data

VARIANT: Auto Headlamp Vehicles
 VIN RANGE: All
 DATE OF ISSUE: January 2007

General Electronic Module

	Pin	Description and Characteristic
PG	CA86-05	POWER GROUND
I	IP5-03	SEDAN (EXCEPT JAPAN AND S. KOREA): EXTERNAL ANTENNA
S	IP5-18	SCP -
S	IP5-19	SCP +
O	IP5-22	TURN SIGNAL AUDIBLE WARNING: TO ACTIVATE, GEM SWITCHES CIRCUIT TO B+
I	IP5-23	REMOTE RF SIGNAL
SG	IP6-01	LOGIC GROUND: GROUND
I	IP6-09	HEADLAMP FLASH SWITCH: GROUND WHEN SELECTED
I	IP6-11	MAIN BEAM SWITCH: GROUND WHEN SELECTED
O	IP6-13	MAIN BEAM / FRONT FOG RELAY DRIVE: TO ACTIVATE, GEM SWITCHES CIRCUIT TO B+
I	IP6-17	LH TURN SIGNAL SWITCH: GROUND WHEN SELECTED
I	IP6-19	RH TURN SIGNAL SWITCH: GROUND WHEN SELECTED
I	IP6-23	HAZARD SWITCH: GROUND WHEN SELECTED
O	JB172-03	RH FRONT TURN SIGNAL: TO ACTIVATE, GEM SWITCHES CIRCUIT TO B+
O	JB172-04	LH FRONT TURN SIGNAL: TO ACTIVATE, GEM SWITCHES CIRCUIT TO B+
B+	JB172-05	BATTERY POWER SUPPLY (TURN SIGNALS): B+

Fig. 08.2

COMPONENTS

Component	Connector(s)	Connector Description	Location
DIP BEAM RELAY	-	-	POWER DISTRIBUTION FUSEBOX - R11
FOG LAMP - LH FRONT	FB1	2-WAY / BLACK	FRONT BUMPER / LH SIDE
FOG LAMP - RH FRONT	FB3	2-WAY / BLACK	FRONT BUMPER / RH SIDE
GENERAL ELECTRONIC MODULE	CA86	23-WAY / GREY	BEHIND INSTRUMENT PANEL / RH SIDE
	CA87	23-WAY / GREEN	
	IP5	23-WAY / BROWN	
	IP6	23-WAY / NATURAL	
	JB172	23-WAY / BLUE	
GLOVE BOX LAMP	IP25	2-WAY / BROWN	GLOVE BOX
HAZARD SWITCH	IP51	6-WAY / BLACK	CENTER CONSOLE
HEADLAMP UNIT - LH	JB84	10-WAY / BLACK	ENGINE COMPARTMENT / LH SIDE
HEADLAMP UNIT - RH	JB85	10-WAY / BLACK	ENGINE COMPARTMENT / RH SIDE
MAIN BEAM / FRONT FOG RELAY	-	-	POWER DISTRIBUTION FUSEBOX - R1
MASTER LIGHTING SWITCH	IP17	16-WAY / BLACK	INSTRUMENT PANEL
PASSENGER JUNCTION FUSEBOX	-	-	PASSENGER COMPARTMENT, FRONT BULKHEAD / LH SIDE
POWER DISTRIBUTION FUSEBOX	-	-	ENGINE COMPARTMENT
RF MODULE	RC35	3-WAY / BLACK	ROOF CONSOLE
SIDE MARKER LAMP - LH FRONT	FB2	2-WAY / BLACK	FRONT BUMPER / LH SIDE
SIDE MARKER LAMP - RH FRONT	FB4	2-WAY / BLACK	FRONT BUMPER / RH SIDE
TURN SIGNAL REPEATER - LH FRONT	JB132	2-WAY / BLACK	LH FRONT FENDER
TURN SIGNAL REPEATER - RH FRONT	JB98	2-WAY / BLACK	RH FRONT FENDER
TURN SIGNAL SWITCH	IP53	10-WAY / GREY	STEERING COLUMN

HARNESS IN-LINE CONNECTORS

Connector	Connector Description / Location	Location
CA36	16-WAY / GREEN / CABIN HARNESS TO ROOF HARNESS	LH 'A' POST / WINDSHIELD PILLAR
CA40	16-WAY / GREY / CABIN HARNESS TO ROOF HARNESS	RH 'A' POST / WINDSHIELD PILLAR
CA240	12-WAY / GREY / CABIN HARNESS TO INSTRUMENT PANEL HARNESS	LH LOWER 'A' POST / 'A' POST TRIM
JB3	14-WAY / BLUE / JUNCTION BOX HARNESS TO INSTRUMENT PANEL HARNESS	BELOW INSTRUMENT PANEL / LH SIDE
JB129	22-WAY / GREY / JUNCTION BOX HARNESS TO INSTRUMENT PANEL HARNESS	BELOW INSTRUMENT PANEL / LH SIDE
JB173	10-WAY / BLACK / JUNCTION BOX HARNESS TO FRONT BUMPER HARNESS	BEHIND LH FRONT WHEEL ARCH LINER

GROUNDINGS

Ground	Harness	Location
G4	CA	LOWER RH 'A' POST
G5	IP	UPPER RH 'A' POST
G10	JB	ENGINE COMPARTMENT / BEHIND RH HEADLAMP
G11	JB	ENGINE COMPARTMENT / BEHIND LH HEADLAMP
G14	JB	ENGINE COMPARTMENT / BEHIND POWER DISTRIBUTION FUSEBOX
G15	CA	LOWER LH 'A' POST
G36	IP	BEHIND INSTRUMENT PANEL / LH SIDE OF CROSS CAR BEAM
G37	IP	BEHIND INSTRUMENT PANEL / RH SIDE OF CROSS CAR BEAM

FOR CONTROL MODULE PIN-OUT INFORMATION, UNFOLD PAGE TO LEFT.

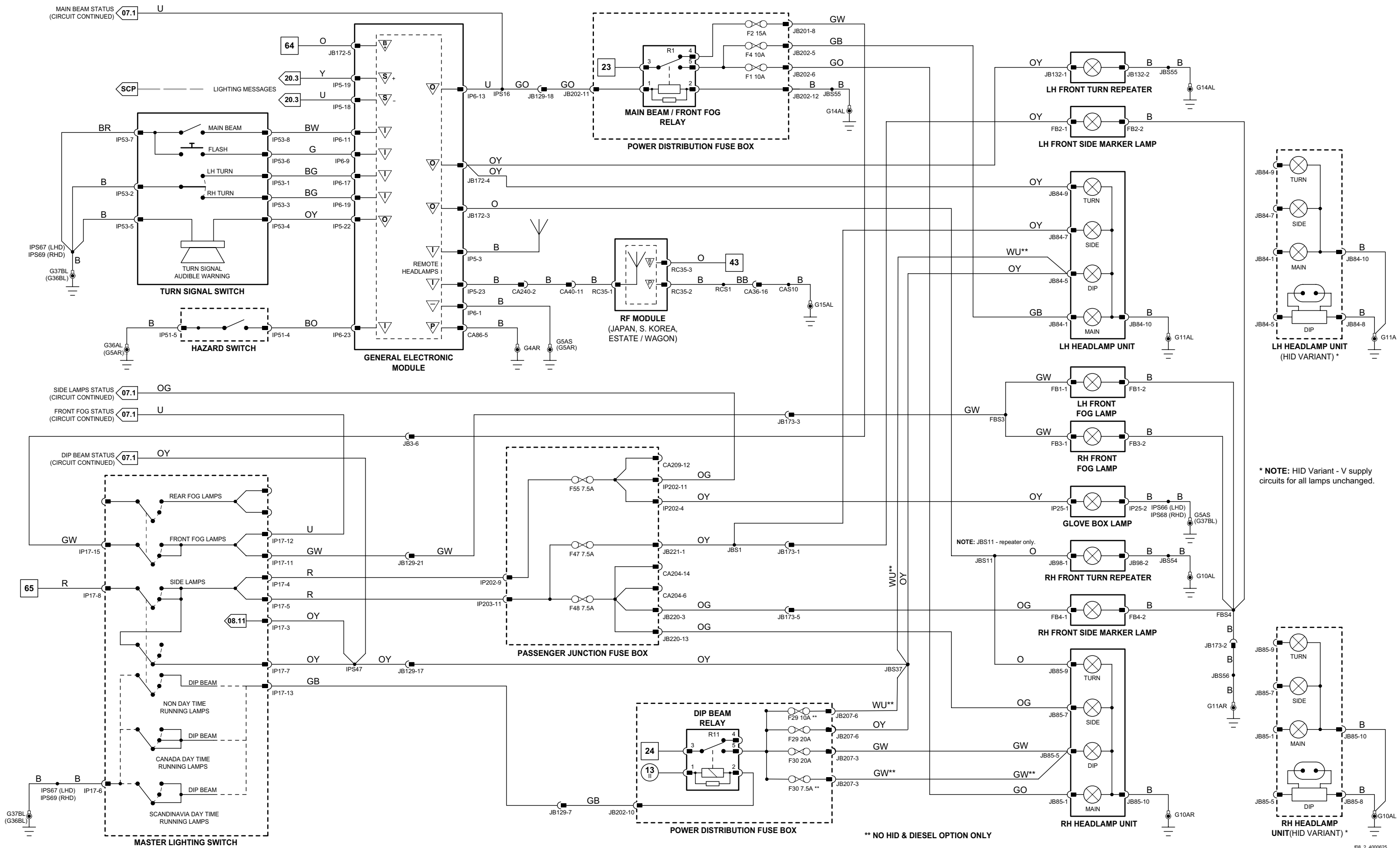
The following abbreviations are used to represent values for Control Module Pin-Out data

I	Input	PG	Power Ground	C	CAN Network	D	Serial and Encoded Data
O	Output	SS	Sensor / Signal Supply V	S	SCP Network	V	Voltage (DC)
B+	Battery Voltage	SG	Sensor / Signal Ground	D2	D2B Network	PWM	Pulse Width Modulated

CAUTION: The information on this data page is furnished to aid the user in understanding circuit operation. THIS INFORMATION SHOULD BE USED FOR REFERENCE ONLY.

NOTE: The values listed are approximately those that can be expected at the control module connector pins with all circuit connections made and all components connected and fitted.

Refer to the front of this book for detailed information and illustrations regarding the location and identification of harnesses, relays, fuses, grounds, control modules and control module pins.



* NOTE: HID Variant - V supply circuits for all lamps unchanged.

** NO HID & DIESEL OPTION ONLY

1 → 6 Fig. 01.1	34 → 79 Fig. 01.3	11 → 31 Fig. 01.5	67 → 76 Fig. 01.7	98 → 107 Fig. 01.9	Input	Battery Voltage	Sensor/Signal Supply V	CAN	D2B Network
7 → 33 Fig. 01.2	1 → 10 Fig. 01.4	32 → 66 Fig. 01.6	77 → 97 Fig. 01.8		Output	Power Ground	Sensor/Signal Ground	SCP	Serial and Encoded Data

VARIANT: Non Autolamp Vehicles; Daytime Running Lamp Vehicles
VIN RANGE: All
DATE OF ISSUE: January 2007

General Electronic Module

	Pin	Description and Characteristic
O	CA86-02	LH REAR TURN SIGNAL: TO ACTIVATE, GEM SWITCHES CIRCUIT TO B+
PG	CA86-05	POWER GROUND
O	CA87-04	RH REAR TURN SIGNAL: TO ACTIVATE, GEM SWITCHES CIRCUIT TO B+
S	IP5-18	SCP -
S	IP5-19	SCP +
O	IP5-22	TURN SIGNAL AUDIBLE WARNING: TO ACTIVATE, GEM SWITCHES CIRCUIT TO B+
SG	IP6-01	LOGIC GROUND: GROUND
I	IP6-17	LH TURN SIGNAL SWITCH: GROUND WHEN SELECTED
I	IP6-19	RH TURN SIGNAL SWITCH: GROUND WHEN SELECTED
I	IP6-23	HAZARD SWITCH: GROUND WHEN SELECTED
B+	JB172-05	BATTERY POWER SUPPLY (TURN SIGNALS): B+

Instrument Cluster

	Pin	Description and Characteristic
I	IP10-01	REVERSE LAMP SWITCH: B+ WHEN ACTIVATED
C	IP10-17	CAN +
C	IP10-18	CAN -
O	IP11-03	REVERSE LAMPS RELAY DRIVE: TO ACTIVATE, IC SWITCHES CIRCUIT TO GROUND

Fig. 08.3

COMPONENTS

Component	Connector(s)	Connector Description	Location
BRAKE ON / OFF SWITCH	PA3	3-WAY / BLACK	TOP OF BRAKE PEDAL
GENERAL ELECTRONIC MODULE	CA86	23-WAY / GREY	BEHIND INSTRUMENT PANEL / RH SIDE
	CA87	23-WAY / GREEN	
	IP5	23-WAY / BROWN	
	IP6	23-WAY / NATURAL	
	JB172	23-WAY / BLUE	
HAZARD SWITCH	IP51	6-WAY / BLACK	CENTER CONSOLE
HIGH-MOUNT STOP LAMP - SEDAN	CA304	2-WAY / WHITE	REAR WINDOW
INSTRUMENT CLUSTER	IP10	26-WAY / WHITE	INSTRUMENT PANEL
	IP11	26-WAY / WHITE	
LICENSE PLATE LAMP - LH: SEDAN	TM5	2-WAY / BLACK	TRUNK LID
LICENSE PLATE LAMP - RH: SEDAN	TM5	2-WAY / BLACK	TRUNK LID
MASTER LIGHTING SWITCH	IP17	16-WAY / BLACK	INSTRUMENT PANEL
PASSENGER JUNCTION FUSEBOX	-	-	PASSENGER COMPARTMENT, FRONT BULKHEAD / LH SIDE
REVERSE LAMPS RELAY	-	-	PASSENGER JUNCTION FUSEBOX - R9
REVERSE LAMPS SWITCH - Diesel	DL7	2-WAY / BLACK	TOP OF TRANSMISSION
REVERSE LAMPS SWITCH - 2.0 L, 2.5 L, 3.0 L	EN85	2-WAY / BLACK	TOP OF TRANSMISSION
SIDE MARKER LAMP - LH REAR	RB5	2-WAY / BLACK	REAR BUMPER / LH SIDE
SIDE MARKER LAMP - RH REAR	RB6	2-WAY / BLACK	REAR BUMPER / RH SIDE
TAIL LAMP UNIT - LH	CA137	7-WAY / BLACK	TRUNK, LH REAR
TAIL LAMP UNIT - RH	CA138	7-WAY / BLACK	TRUNK, RH REAR
TURN SIGNAL SWITCH	IP53	10-WAY / GREY	STEERING COLUMN

HARNESS IN-LINE CONNECTORS

Connector	Connector Description / Location	Location
CA1	22-WAY / NATURAL / INSTRUMENT PANEL HARNESS TO CABIN HARNESS	LH 'A' POST / 'A' POST TRIM
CA10	22-WAY / SLATE / CABIN HARNESS TO JUNCTION BOX HARNESS	LH 'A' POST / 'A' POST TRIM
CA45	6-WAY / GREY / CABIN HARNESS TO TRUNK LID HARNESS	BEHIND LH 'E' POST TRIM
CA129	12-WAY / GREY / REAR BUMPER HARNESS TO CABIN HARNESS	SPARE WHEEL WELL
JB1	42-WAY / BLACK / ENGINE MANAGEMENT HARNESS TO JUNCTION BOX HARNESS	ENGINE COMPARTMENT / LH SIDE
JB2	16-WAY / GREEN / ENGINE MANAGEMENT HARNESS TO JUNCTION BOX HARNESS (PEDAL ASSEMBLY)	BELOW INSTRUMENT PANEL / DRIVER SIDE
JB145	8-WAY / BLACK / ENGINE MANAGEMENT HARNESS TO JUNCTION BOX HARNESS	ENGINE COMPARTMENT / LH SIDE
TL10	6-WAY / GREY / TRUNK LINK LEAD TO TRUNK LID HARNESS	BELOW PARCEL SHELF / LH SIDE

GROUNDS

Ground	Harness	Location
G1	CA	TRUNK / UNDER LH TAIL LAMP UNIT
G2	CA	TRUNK / UNDER LH TAIL LAMP UNIT
G4	CA	LOWER RH 'A' POST
G5	IP	UPPER RH 'A' POST
G36	IP	BEHIND INSTRUMENT PANEL / LH SIDE OF CROSS CAR BEAM
G37	IP	BEHIND INSTRUMENT PANEL / RH SIDE OF CROSS CAR BEAM
G38	CA	UPPER LH 'E' POST

FOR CONTROL MODULE PIN-OUT INFORMATION, UNFOLD PAGE TO LEFT.

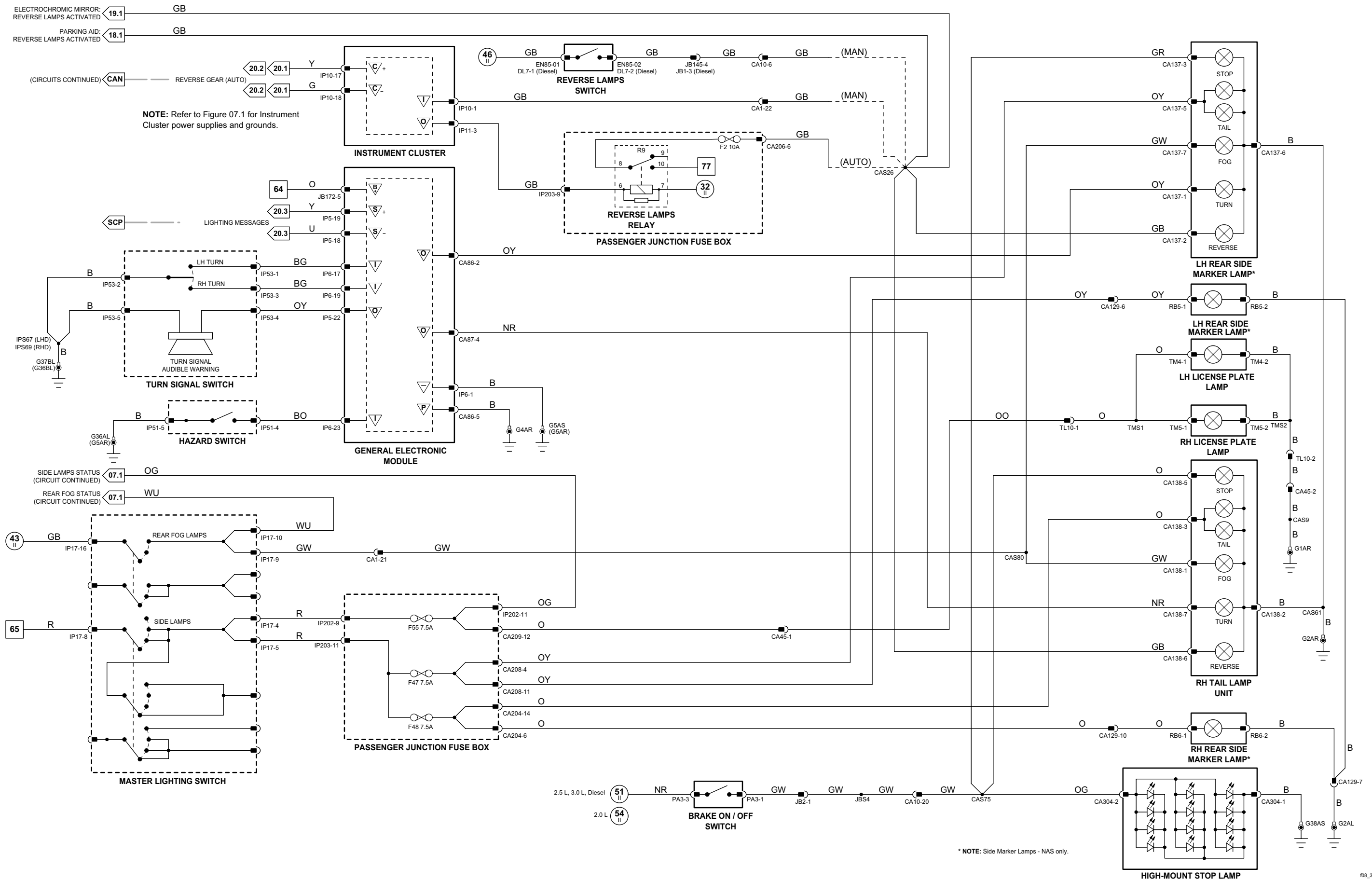
The following abbreviations are used to represent values for Control Module Pin-Out data

I	Input	PG	Power Ground	C	CAN Network	D	Serial and Encoded Data
O	Output	SS	Sensor / Signal Supply V	S	SCP Network	V	Voltage (DC)
B+	Battery Voltage	SG	Sensor / Signal Ground	D2	D2B Network	PWM	Pulse Width Modulated

CAUTION: The information on this data page is furnished to aid the user in understanding circuit operation. THIS INFORMATION SHOULD BE USED FOR REFERENCE ONLY.

NOTE: The values listed are approximately those that can be expected at the control module connector pins with all circuit connections made and all components connected and fitted.

Refer to the front of this book for detailed information and illustrations regarding the location and identification of harnesses, relays, fuses, grounds, control modules and control module pins.



1 → 6 Fig. 01.1	34 → 79 Fig. 01.3	11 → 31 Fig. 01.5	67 → 76 Fig. 01.7	98 → 107 Fig. 01.9	Input	Battery Voltage	Sensor/Signal Supply V	CAN	D2B Network
7 → 33 Fig. 01.2	1 → 10 Fig. 01.4	32 → 66 Fig. 01.6	77 → 97 Fig. 01.8		Output	Power Ground	Sensor/Signal Ground	SCP	Serial and Encoded Data

VARIANT: Sedan Vehicles
 VIN RANGE: All
 DATE OF ISSUE: January 2007

General Electronic Module

	Pin	Description and Characteristic
O	CA86-02	LH REAR TURN SIGNAL: TO ACTIVATE, GEM SWITCHES CIRCUIT TO B+
PG	CA86-05	POWER GROUND
O	CA87-04	RH REAR TURN SIGNAL: TO ACTIVATE, GEM SWITCHES CIRCUIT TO B+
S	IP5-18	SCP -
S	IP5-19	SCP +
O	IP5-22	TURN SIGNAL AUDIBLE WARNING: TO ACTIVATE, GEM SWITCHES CIRCUIT TO B+
SG	IP6-01	LOGIC GROUND: GROUND
I	IP6-17	LH TURN SIGNAL SWITCH: GROUND WHEN SELECTED
I	IP6-19	RH TURN SIGNAL SWITCH: GROUND WHEN SELECTED
I	IP6-23	HAZARD SWITCH: GROUND WHEN SELECTED
B+	JB172-05	BATTERY POWER SUPPLY (TURN SIGNALS): B+

Instrument Cluster

	Pin	Description and Characteristic
I	IP10-01	REVERSE LAMP SWITCH: B+ WHEN ACTIVATED
C	IP10-17	CAN +
C	IP10-18	CAN -
O	IP11-03	REVERSE LAMPS RELAY DRIVE: TO ACTIVATE, IC SWITCHES CIRCUIT TO GROUND

Fig. 08.4

COMPONENTS

Component	Connector(s)	Connector Description	Location
BRAKE ON / OFF SWITCH	PA3	3-WAY / BLACK	TOP OF BRAKE PEDAL
GENERAL ELECTRONIC MODULE	CA86	23-WAY / GREY	BEHIND INSTRUMENT PANEL / RH SIDE
	CA87	23-WAY / GREEN	
	IP5	23-WAY / BROWN	
	IP6	23-WAY / NATURAL	
	JB172	23-WAY / BLUE	
HAZARD SWITCH	IP51	6-WAY / BLACK	CENTER CONSOLE
HIGH-MOUNT STOP LAMP - ESTATE (WAGON)	WG6	6-WAY / BLACK	REAR SPOILER
INSTRUMENT CLUSTER	IP10	26-WAY / WHITE	INSTRUMENT PANEL
	IP11	26-WAY / WHITE	
LICENSE PLATE LAMP - LH: ESTATE (WAGON)	WT9	2-WAY / BLACK	TAIL GATE
LICENSE PLATE LAMP - RH: ESTATE (WAGON)	WT10	2-WAY / BLACK	TAIL GATE
MASTER LIGHTING SWITCH	IP17	16-WAY / BLACK	INSTRUMENT PANEL
PASSENGER JUNCTION FUSEBOX	-	-	PASSENGER COMPARTMENT, FRONT BULKHEAD / LH SIDE
REVERSE LAMPS RELAY	-	-	PASSENGER JUNCTION FUSEBOX - R9
REVERSE LAMPS SWITCH - Diesel	DL7	2-WAY / BLACK	TOP OF TRANSMISSION
REVERSE LAMPS SWITCH - 2.0 L, 2.5 L, 3.0 L	EN85	2-WAY / BLACK	TOP OF TRANSMISSION
TAIL LAMP UNIT - LH	CA137	7-WAY / BLACK	TRUNK, LH REAR
TAIL LAMP UNIT - RH	CA138	7-WAY / BLACK	TRUNK, RH REAR
TURN SIGNAL SWITCH	IP53	10-WAY / GREY	STEERING COLUMN

HARNESS IN-LINE CONNECTORS

Connector	Connector Description / Location	Location
CA1	22-WAY / NATURAL / INSTRUMENT PANEL HARNESS TO CABIN HARNESS	LH 'A' POST / 'A' POST TRIM
CA10	22-WAY / SLATE / CABIN HARNESS TO JUNCTION BOX HARNESS	LH 'A' POST / 'A' POST TRIM
JB2	16-WAY / GREEN / ENGINE MANAGEMENT HARNESS TO JUNCTION BOX HARNESS (PEDAL ASSEMBLY)	BELOW INSTRUMENT PANEL / DRIVER SIDE
JB145	8-WAY / BLACK / ENGINE MANAGEMENT HARNESS TO JUNCTION BOX HARNESS	ENGINE COMPARTMENT / LH SIDE
WG1	4-WAY / BLACK / CABIN HARNESS TO TAIL GATE GLASS HARNESS	ROOF / CENTER REAR
WL1	8-WAY / BLACK / CABIN HARNESS TO TAIL GATE LINK LEAD	ROOF / CENTER REAR
WT1	8-WAY / BLACK / CABIN HARNESS TO TAIL GATE HARNESS	TAIL GATE

GROUNDS

Ground	Harness	Location
G1	CA	TRUNK / UNDER LH TAIL LAMP UNIT
G2	CA	TRUNK / UNDER LH TAIL LAMP UNIT
G4	CA	LOWER RH 'A' POST
G5	IP	UPPER RH 'A' POST
G36	IP	BEHIND INSTRUMENT PANEL / LH SIDE OF CROSS CAR BEAM
G37	IP	BEHIND INSTRUMENT PANEL / RH SIDE OF CROSS CAR BEAM
G50	CA	HEADLINER / RH REAR ROOF PANEL

FOR CONTROL MODULE PIN-OUT INFORMATION, UNFOLD PAGE TO LEFT.

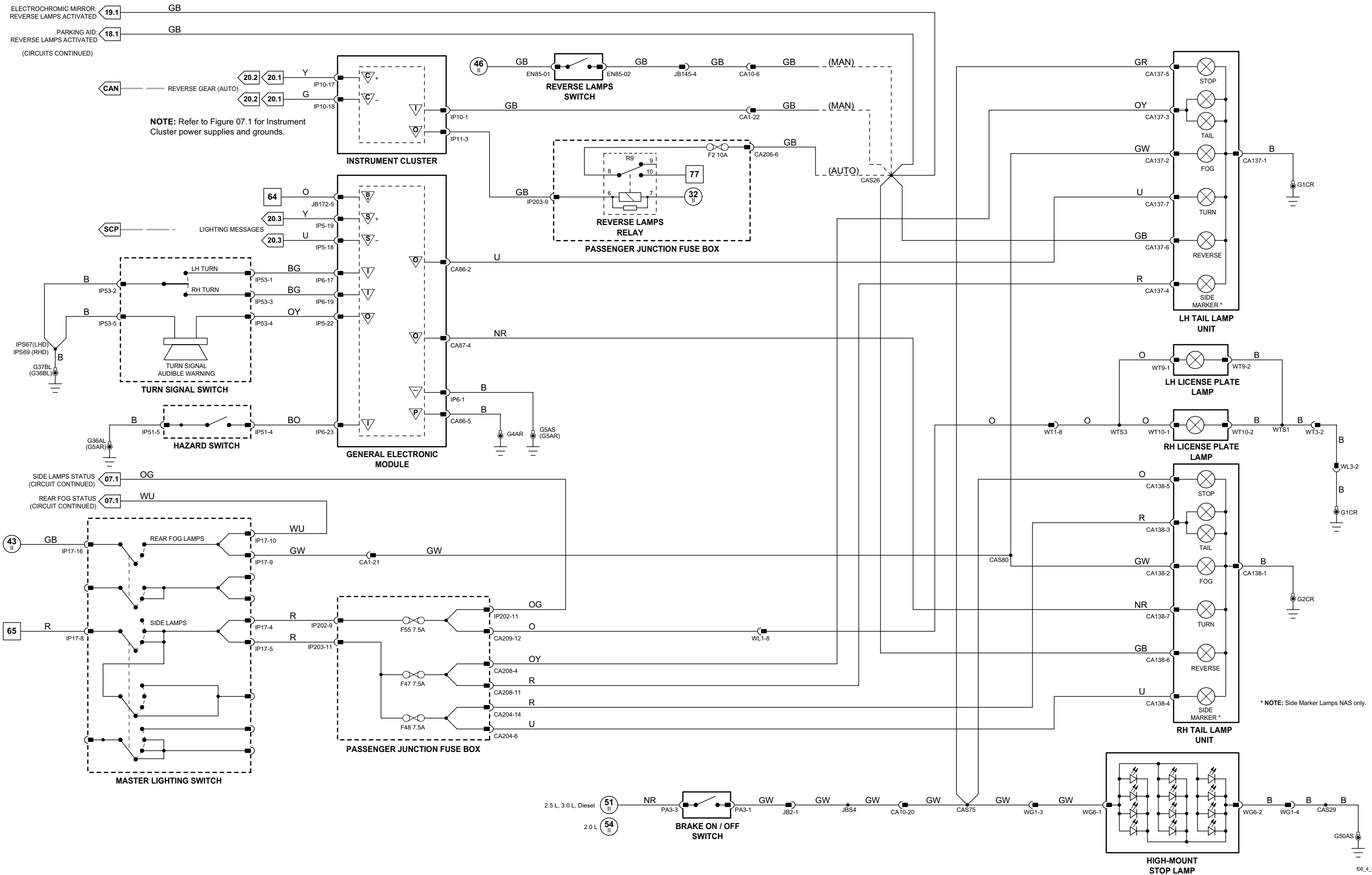
The following abbreviations are used to represent values for Control Module Pin-Out data

I	Input	PG	Power Ground	C	CAN Network	D	Serial and Encoded Data
O	Output	SS	Sensor / Signal Supply V	S	SCP Network	V	Voltage (DC)
B+	Battery Voltage	SG	Sensor / Signal Ground	D2	D2B Network	PWM	Pulse Width Modulated

CAUTION: The information on this data page is furnished to aid the user in understanding circuit operation. THIS INFORMATION SHOULD BE USED FOR REFERENCE ONLY.

NOTE: The values listed are approximately those that can be expected at the control module connector pins with all circuit connections made and all components connected and fitted.

Refer to the front of this book for detailed information and illustrations regarding the location and identification of harnesses, relays, fuses, grounds, control modules and control module pins.



1 → 6 Fig. 01.1	34 → 79 Fig. 01.3	11 → 31 Fig. 01.5	67 → 76 Fig. 01.7	98 → 107 Fig. 01.9	Input	Battery Voltage	Sensor/Signal Supply V	CAN	D2B Network
7 → 33 Fig. 01.2	1 → 10 Fig. 01.4	32 → 66 Fig. 01.6	77 → 97 Fig. 01.8		Output	Power Ground	Sensor/Signal Ground	SCP	Serial and Encoded Data

VARIANT: Estate (Wagon) Vehicles
 VIN RANGE: All
 DATE OF ISSUE: January 2007

Fig. 08.5**COMPONENTS**

Component	Connector(s)	Connector Description	Location
ACCESSORY CONNECTOR – REAR	CA146	3-WAY / BLACK	TRUNK, LH REAR
ACCESSORY CONNECTOR – TRAILER TOWING	T5001	DATA NOT AVAILABLE	
HIGH-MOUNT STOP LAMP – SEDAN	CA304	2-WAY / WHITE	REAR WINDOW
LICENSE PLATE LAMP – LH: SEDAN	TM5	2-WAY / BLACK	TRUNK LID
LICENSE PLATE LAMP – RH: SEDAN	TM5	2-WAY / BLACK	TRUNK LID
TAIL LAMP UNIT – LH	CA137	7-WAY / BLACK	TRUNK, LH REAR
TAIL LAMP UNIT – RH	CA138	7-WAY / BLACK	TRUNK, RH REAR
TRAILER TOWING CONNECTOR	T5011	DATA NOT AVAILABLE	
TRAILER TOWING MODULE	TT1	DATA NOT AVAILABLE	
	TT2	DATA NOT AVAILABLE	
	TT3	DATA NOT AVAILABLE	

HARNESS IN-LINE CONNECTORS

Connector	Connector Description / Location	Location
CA45	6-WAY / GREY / CABIN HARNESS TO TRUNK LID HARNESS	BEHIND LH 'E' POST TRIM
CA302	2-WAY / BLACK / CABIN HARNESS TO TRAILER HARNESS	TRUNK / ADJACENT TO LH REAR TAIL LAMP
TL10	6-WAY / GREY / TRUNK LINK LEAD TO TRUNK LID HARNESS	BELOW PARCEL SHELF / LH SIDE
TT6	DATA NOT AVAILABLE	

GROUNDS

Ground	Harness	Location
G1	CA	TRUNK / UNDER LH TAIL LAMP UNIT
G2	CA	TRUNK / UNDER LH TAIL LAMP UNIT
G38	CA	UPPER LH 'E' POST

Refer to the front of this book for detailed information and illustrations regarding the location and identification of harnesses, relays, fuses, grounds, control modules and control module pins.

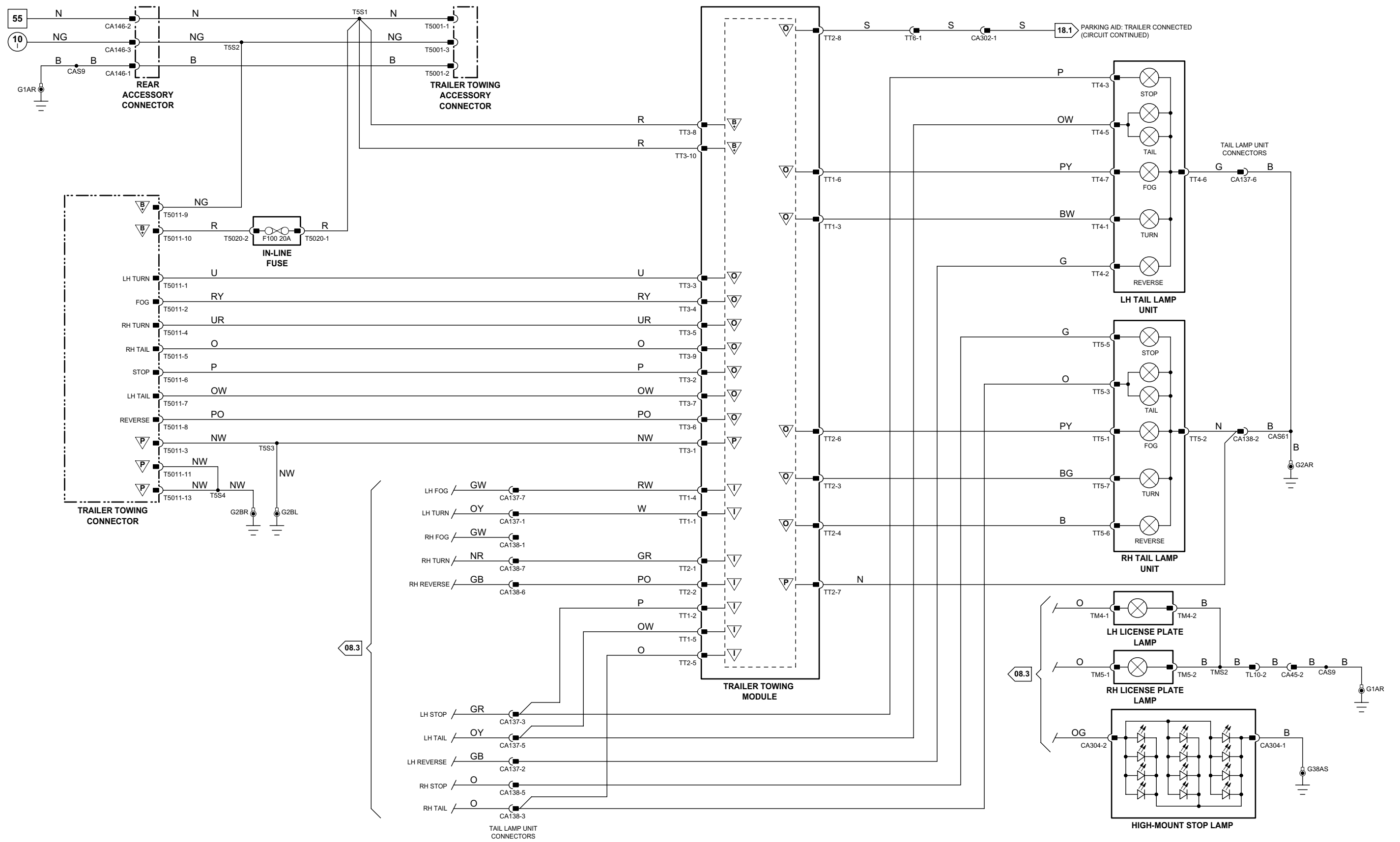


Fig. 08.6**COMPONENTS**

Component	Connector(s)	Connector Description	Location
ACCESSORY CONNECTOR – REAR	CA146	3-WAY / BLACK	TRUNK, LH REAR
ACCESSORY CONNECTOR – TRAILER TOWING	T4001	DATA NOT AVAILABLE	
CARAVAN CONNECTOR	T412S	DATA NOT AVAILABLE	
HIGH-MOUNT STOP LAMP – SEDAN	CA304	2-WAY / WHITE	REAR WINDOW
LICENSE PLATE LAMP – LH: SEDAN	TM5	2-WAY / BLACK	TRUNK LID
LICENSE PLATE LAMP – RH: SEDAN	TM5	2-WAY / BLACK	TRUNK LID
TAIL LAMP UNIT – LH	CA137	7-WAY / BLACK	TRUNK, LH REAR
TAIL LAMP UNIT – RH	CA138	7-WAY / BLACK	TRUNK, RH REAR
TRAILER TOWING CONNECTOR	T312N	DATA NOT AVAILABLE	
TRAILER TOWING MODULE	TT1	DATA NOT AVAILABLE	
	TT2	DATA NOT AVAILABLE	
	TT3	DATA NOT AVAILABLE	

HARNES IN-LINE CONNECTORS

Connector	Connector Description / Location	Location
CA45	6-WAY / GREY / CABIN HARNESS TO TRUNK LID HARNESS	BEHIND LH 'E' POST TRIM
CA302	2-WAY / BLACK / CABIN HARNESS TO TRAILER HARNESS	TRUNK / ADJACENT TO LH REAR TAIL LAMP
TL10	6-WAY / GREY / TRUNK LINK LEAD TO TRUNK LID HARNESS	BELOW PARCEL SHELF / LH SIDE
TT6	DATA NOT AVAILABLE	
TT7	DATA NOT AVAILABLE	

GROUNDS

Ground	Harness	Location
G1		ENGINE COMPARTMENT / BEHIND LH HEADLAMP ASSEMBLY
G3		ENGINE COMPARTMENT / BELOW FRONT POWER DISTRIBUTION FUSEBOX
G17		CABIN / BELOW REAR SEAT / RH SIDE

Refer to the front of this book for detailed information and illustrations regarding the location and identification of harnesses, relays, fuses, grounds, control modules and control module pins.

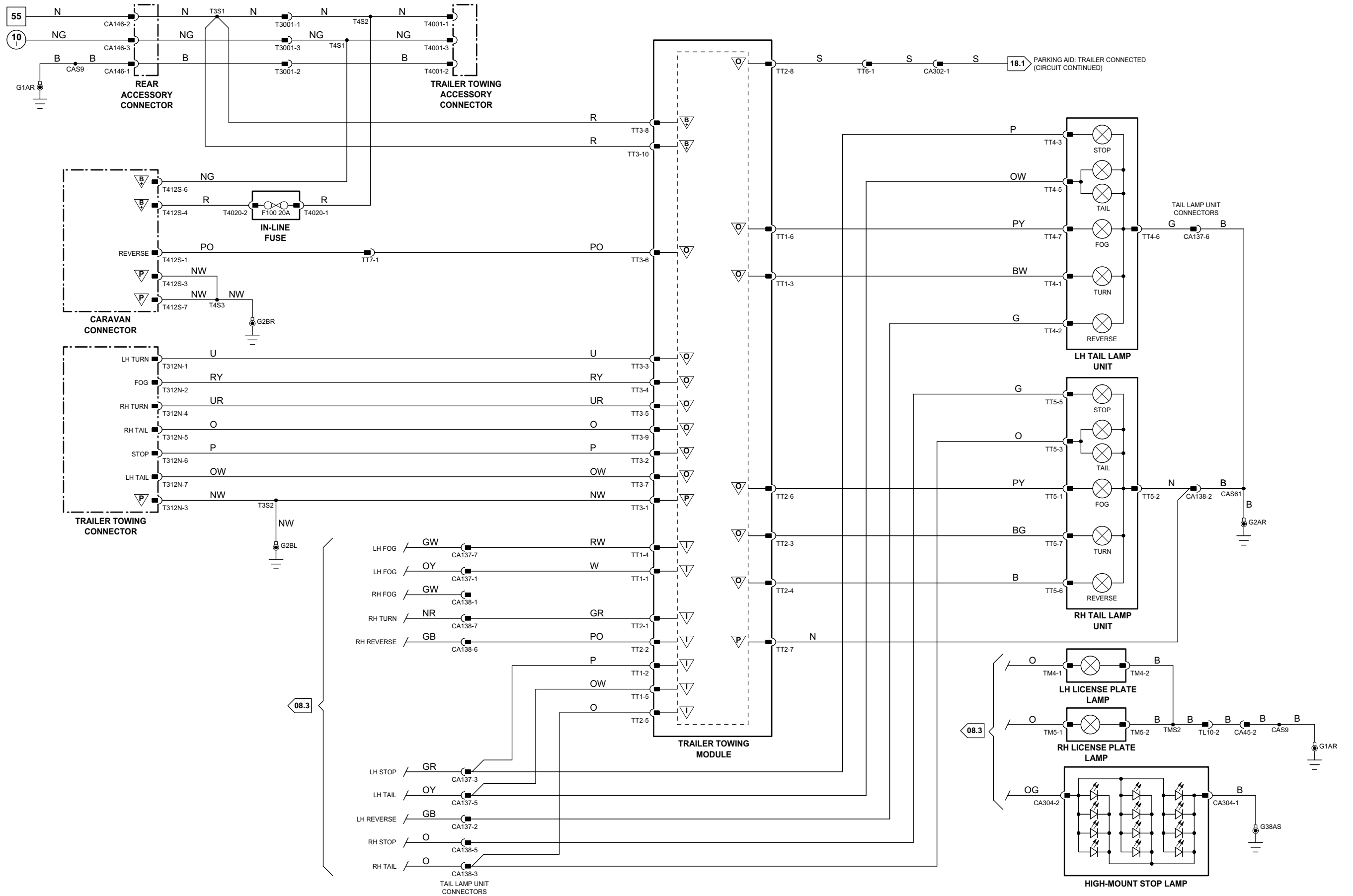


Fig. 08.7**COMPONENTS**

Component	Connector(s)	Connector Description	Location
ACCESSORY CONNECTOR – REAR	CA146	3-WAY / BLACK	TRUNK, LH REAR
ACCESSORY CONNECTOR – TRAILER TOWING	T3001	DATA NOT AVAILABLE	
HIGH-MOUNT STOP LAMP – SEDAN	CA304	2-WAY / WHITE	REAR WINDOW
LICENSE PLATE LAMP – LH: SEDAN	TM5	2-WAY / BLACK	TRUNK LID
LICENSE PLATE LAMP – RH: SEDAN	TM5	2-WAY / BLACK	TRUNK LID
SIDE MARKER LAMP – LH REAR	RB5	2-WAY / BLACK	REAR BUMPER / LH SIDE
SIDE MARKER LAMP – RH REAR	RB6	2-WAY / BLACK	REAR BUMPER / RH SIDE
TAIL LAMP UNIT – LH	CA137	7-WAY / BLACK	TRUNK, LH REAR
TAIL LAMP UNIT – RH	CA138	7-WAY / BLACK	TRUNK, RH REAR
TRAILER TOWING CONNECTOR	T8US1	DATA NOT AVAILABLE	
TRAILER TOWING MODULE	TT1	DATA NOT AVAILABLE	
	TT2	DATA NOT AVAILABLE	
	TT3	DATA NOT AVAILABLE	

HARNESS IN-LINE CONNECTORS

Connector	Connector Description / Location	Location
CA45	6-WAY / GREY / CABIN HARNESS TO TRUNK LID HARNESS	BEHIND LH 'E' POST TRIM
CA129	12-WAY / GREY / REAR BUMPER HARNESS TO CABIN HARNESS	SPARE WHEEL WELL CA302
TL10	6-WAY / GREY / TRUNK LINK LEAD TO TRUNK LID HARNESS	BELOW PARCEL SHELF / LH SIDE
TT6	DATA NOT AVAILABLE	

GROUNDS

Ground	Harness	Location
G1	CA	TRUNK / UNDER LH TAIL LAMP UNIT
G2	CA	TRUNK / UNDER LH TAIL LAMP UNIT
G38	CA	UPPER LH 'E' POST

Refer to the front of this book for detailed information and illustrations regarding the location and identification of harnesses, relays, fuses, grounds, control modules and control module pins.

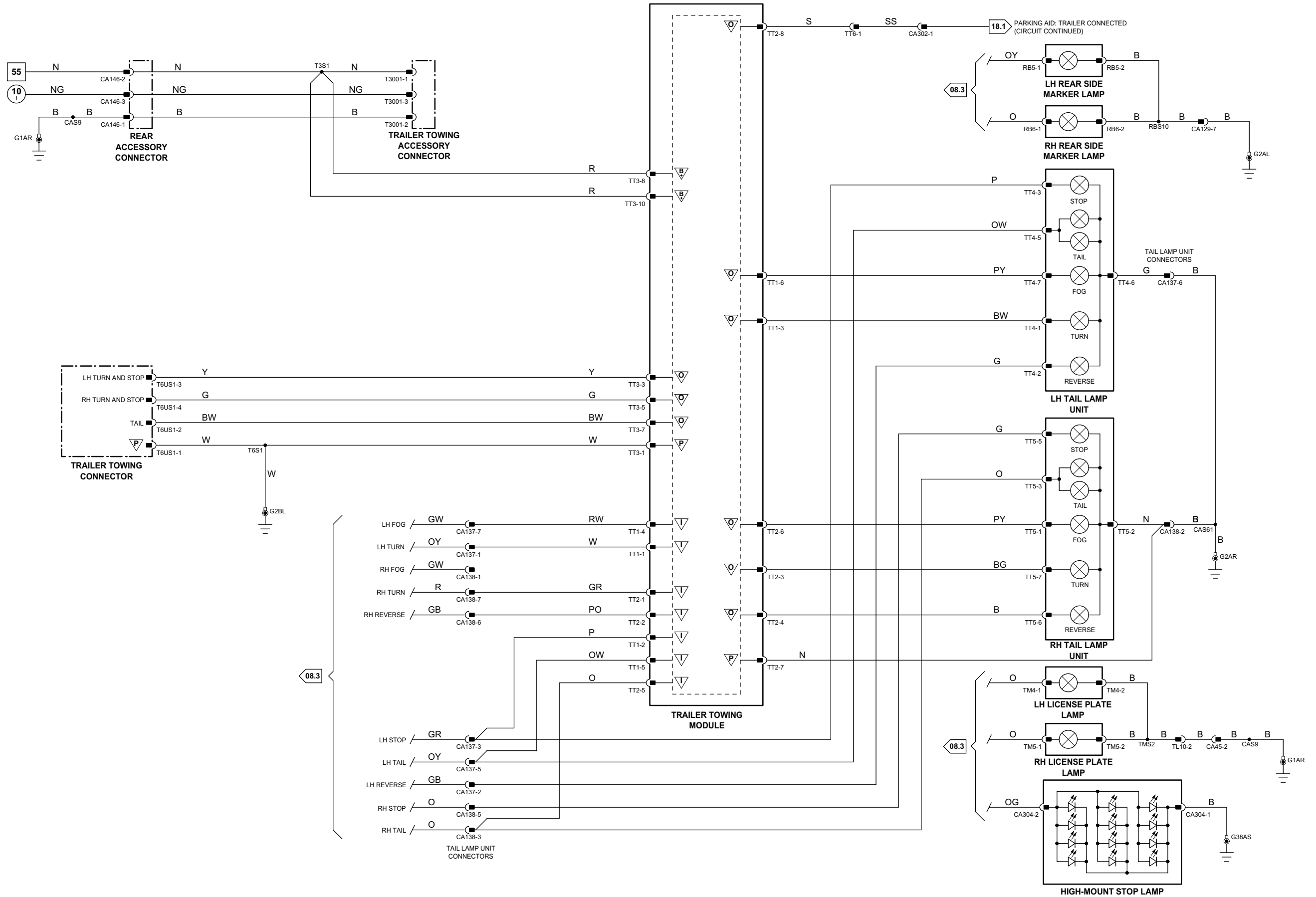


Fig. 08.8**COMPONENTS**

Component	Connector(s)	Connector Description	Location
ACCESSORY CONNECTOR – REAR	CA146	3-WAY / BLACK	TRUNK, LH REAR
ACCESSORY CONNECTOR – TRAILER TOWING	T5001	DATA NOT AVAILABLE	
HIGH-MOUNT STOP LAMP – ESTATE (WAGON)	WG6	6-WAY / BLACK	REAR SPOILER
LICENSE PLATE LAMP – LH: ESTATE (WAGON)	WT9	2-WAY / BLACK	TAIL GATE
LICENSE PLATE LAMP – RH: ESTATE (WAGON)	WT10	2-WAY / BLACK	TAIL GATE
TAIL LAMP UNIT – LH	CA137	7-WAY / BLACK	TRUNK, LH REAR
TAIL LAMP UNIT – RH	CA138	7-WAY / BLACK	TRUNK, RH REAR
TRAILER TOWING CONNECTOR	T5011	DATA NOT AVAILABLE	
TRAILER TOWING MODULE	TT1	DATA NOT AVAILABLE	
	TT2	DATA NOT AVAILABLE	
	TT3	DATA NOT AVAILABLE	

HARNES IN-LINE CONNECTORS

Connector	Connector Description / Location	Location
CA302	2-WAY / BLACK / CABIN HARNESS TO TRAILER HARNESS	TRUNK / ADJACENT TO LH REAR TAIL LAMP
TT6	DATA NOT AVAILABLE	
WG1	4-WAY / BLACK / CABIN HARNESS TO TAIL GATE GLASS HARNESS	ROOF / CENTER REAR
WL3	3-WAY / BLACK / CABIN HARNESS TO TAIL GATE LINK LEAD	ROOF / CENTER REAR
WT3	3-WAY / BLACK / CABIN HARNESS TO TAIL GATE HARNESS	TAIL GATE

GROUNDS

Ground	Harness	Location
G1	CA	TRUNK / UNDER LH TAIL LAMP UNIT
G2	CA	TRUNK / UNDER LH TAIL LAMP UNIT
G50	CA	HEADLINER / RH REAR ROOF PANEL

Refer to the front of this book for detailed information and illustrations regarding the location and identification of harnesses, relays, fuses, grounds, control modules and control module pins.

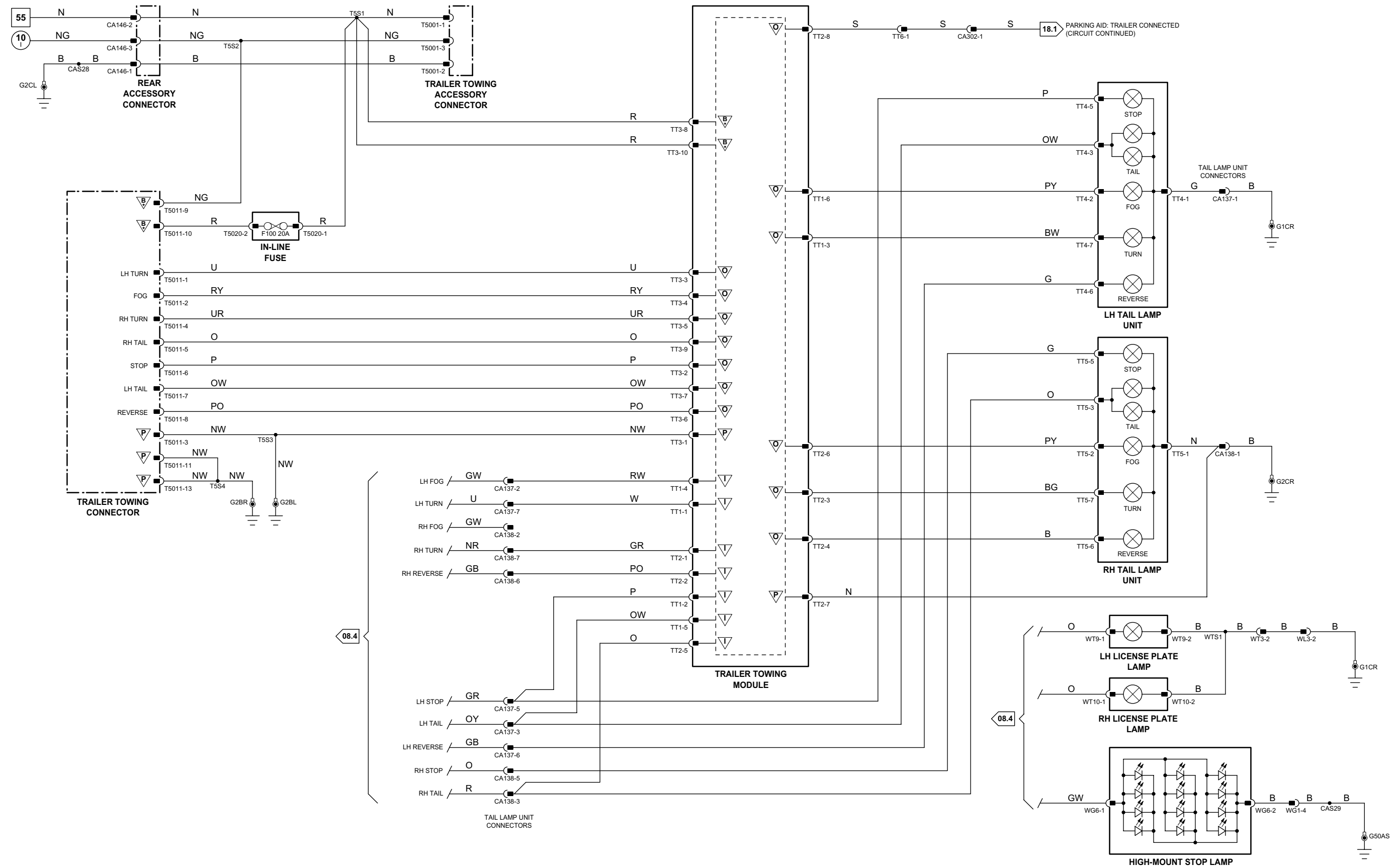


Fig. 08.9**COMPONENTS**

Component	Connector(s)	Connector Description	Location
ACCESSORY CONNECTOR – REAR	CA146	3-WAY / BLACK	TRUNK, LH REAR
ACCESSORY CONNECTOR – TRAILER TOWING	T4001	DATA NOT AVAILABLE	
CARAVAN CONNECTOR	T412S	DATA NOT AVAILABLE	
HIGH-MOUNT STOP LAMP – ESTATE (WAGON)	WG6	6-WAY / BLACK	REAR SPOILER
LICENSE PLATE LAMP – LH: ESTATE (WAGON)	WT9	2-WAY / BLACK	TAIL GATE
LICENSE PLATE LAMP – RH: ESTATE (WAGON)	WT10	2-WAY / BLACK	TAIL GATE
TAIL LAMP UNIT – LH	CA137	7-WAY / BLACK	TRUNK, LH REAR
TAIL LAMP UNIT – RH	CA138	7-WAY / BLACK	TRUNK, RH REAR
TRAILER TOWING CONNECTOR	T312N	DATA NOT AVAILABLE	
TRAILER TOWING MODULE	TT1	DATA NOT AVAILABLE	
	TT2	DATA NOT AVAILABLE	
	TT3	DATA NOT AVAILABLE	

HARNESS IN-LINE CONNECTORS

Connector	Connector Description / Location	Location
CA302	2-WAY / BLACK / CABIN HARNESS TO TRAILER HARNESS	TRUNK / ADJACENT TO LH REAR TAIL LAMP
TT6	DATA NOT AVAILABLE	
TT7	DATA NOT AVAILABLE	
WG1	4-WAY / BLACK / CABIN HARNESS TO TAIL GATE GLASS HARNESS	ROOF / CENTER REAR
WL3	3-WAY / BLACK / CABIN HARNESS TO TAIL GATE LINK LEAD	ROOF / CENTER REAR
WT3	3-WAY / BLACK / CABIN HARNESS TO TAIL GATE HARNESS	TAIL GATE

GROUNDS

Ground	Harness	Location
G1	CA	TRUNK / UNDER LH TAIL LAMP UNIT
G2	CA	TRUNK / UNDER LH TAIL LAMP UNIT
G50	CA	HEADLINER / RH REAR ROOF PANEL

Refer to the front of this book for detailed information and illustrations regarding the location and identification of harnesses, relays, fuses, grounds, control modules and control module pins.

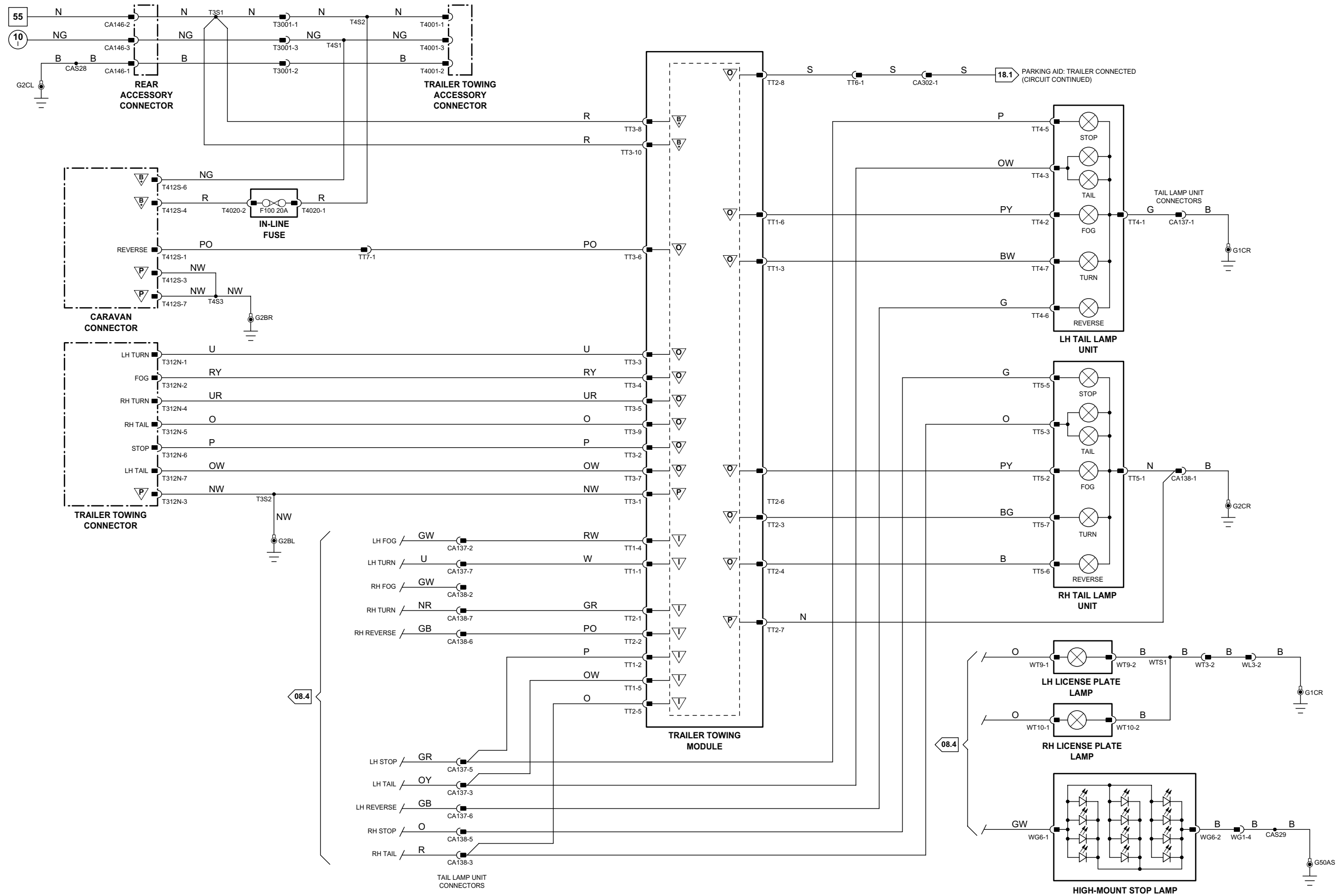


Fig. 08.10**COMPONENTS**

Component	Connector(s)	Connector Description	Location
AXLE SENSOR – FRONT	JB140	6-WAY / BLACK	LH FRONT SUSPENSION
AXLE SENSOR – REAR	HI1	6-WAY / BLACK	LH REAR SUSPENSION
HEADLAMP LEVELING MODULE	IP130	26-WAY / WHITE	BEHIND INSTRUMENT PANEL / LH SIDE
HEADLAMP UNIT – LH	JB84	10-WAY / BLACK	ENGINE COMPARTMENT / LH SIDE
HEADLAMP UNIT – RH	JB85	10-WAY / BLACK	ENGINE COMPARTMENT / RH SIDE
MASTER LIGHTING SWITCH	IP17	16-WAY / BLACK	INSTRUMENT PANEL
POWER DISTRIBUTION FUSEBOX	–	–	ENGINE COMPARTMENT

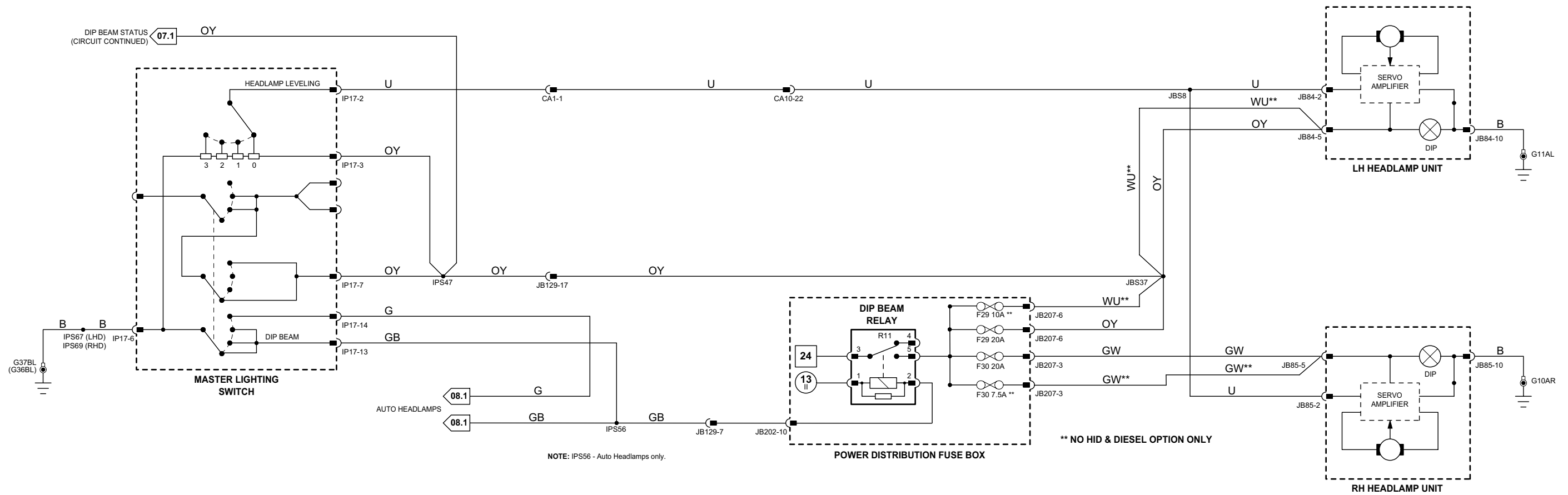
HARNESS IN-LINE CONNECTORS

Connector	Connector Description / Location	Location
CA1	22-WAY / NATURAL / INSTRUMENT PANEL HARNESS TO CABIN HARNESS	LH 'A' POST / 'A' POST TRIM
CA10	22-WAY / SLATE / CABIN HARNESS TO JUNCTION BOX HARNESS	LH 'A' POST / 'A' POST TRIM
CA303	3-WAY GREY / CABIN HARNESS TO REAR AXLE HARNESS	BELOW LH REAR SEAT CUSHION
JB129	22-WAY / GREY / JUNCTION BOX HARNESS TO INSTRUMENT PANEL HARNESS	BELOW INSTRUMENT PANEL / LH SIDE
JB130	22-WAY / GREEN / JUNCTION BOX HARNESS TO INSTRUMENT PANEL HARNESS	BELOW INSTRUMENT PANEL / LH SIDE

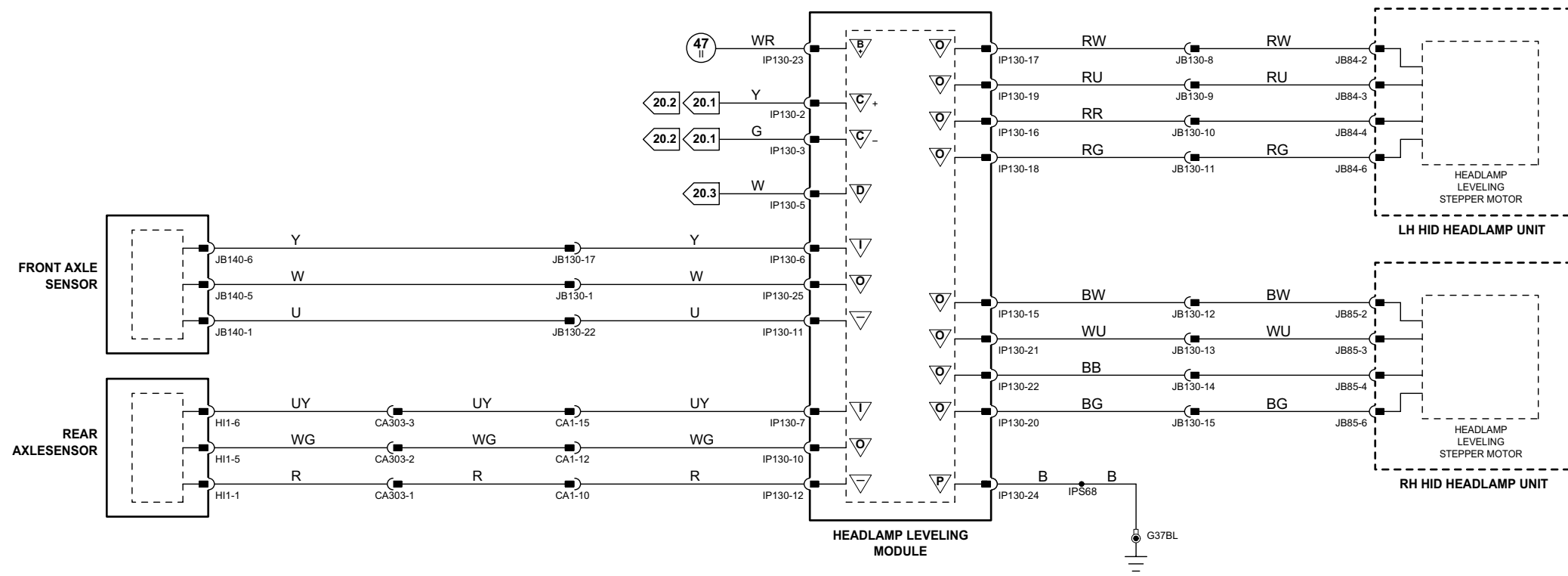
GROUNDS

Ground	Harness	Location
G10	JB	ENGINE COMPARTMENT / BEHIND RH HEADLAMP
G11	JB	ENGINE COMPARTMENT / BEHIND LH HEADLAMP
G37	IP	BEHIND INSTRUMENT PANEL / RH SIDE OF CROSS CAR BEAM
G38	CA	UPPER LH 'E' POST

Refer to the front of this book for detailed information and illustrations regarding the location and identification of harnesses, relays, fuses, grounds, control modules and control module pins.



DRIVER-CONTROLLED HEADLAMP LEVELING



AUTOMATIC HEADLAMP LEVELING

108_10_4000625

1 → 6 Fig. 01.1	34 → 79 Fig. 01.3	11 → 31 Fig. 01.5	67 → 76 Fig. 01.7	98 → 107 Fig. 01.9	Input	Battery Voltage	Sensor/Signal Supply V	CAN	D2B Network
7 → 33 Fig. 01.2	1 → 10 Fig. 01.4	32 → 66 Fig. 01.6	77 → 97 Fig. 01.8		Output	Power Ground	Sensor/Signal Ground	SCP	Serial and Encoded Data

VARIANT: H/L & HID Headlamp Vehicles
 VIN RANGE: All
 DATE OF ISSUE: January 2007

General Electronic Module

	Pin	Description and Characteristic
O	CA86-03	INTERIOR LAMPS : TO ACTIVATE, GEM SWITCHES CIRCUIT TO GROUND
PG	CA86-05	POWER GROUND
I	CA86-14	RESET SWITCH: OPEN CIRCUIT / GROUND
I	CA86-15	TAIL GLASS RELEASE SWITCH: GROUND WHEN ACTIVATED
I	CA86-16	SET SWITCH: OPEN CIRCUIT / GROUND
I	CA87-15	LH REAR DOOR AJAR: DOOR OPEN = OPEN CIRCUIT; DOOR CLOSED = GROUND
I	IP5-03	SEDAN (EXCEPT JAPAN AND S. KOREA): EXTERNAL ANTENNA
S	IP5-18	SCP -
S	IP5-19	SCP +
SG	IP6-01	LOGIC GROUND: GROUND
I	IP6-21	PASSENGER DOOR AJAR: DOOR OPEN = OPEN CIRCUIT; DOOR CLOSED = GROUND
I	IP6-22	DRIVER DOOR AJAR: DOOR OPEN = OPEN CIRCUIT; DOOR CLOSED = GROUND
B+	JB172-05	BATTERY POWER SUPPLY (TURN SIGNALS): B+

Fig. 09.1

COMPONENTS

Component	Connector(s)	Connector Description	Location
DOOR LATCH – DRIVER	DD3	8-WAY / BLACK	DRIVER DOOR
	DD9	2-WAY / BLACK	
DOOR LATCH – LH REAR	BL3	8-WAY / BLACK	LH REAR DOOR
	BL6	2-WAY / BLACK	
DOOR LATCH – PASSENGER	PD3	8-WAY / BLACK	PASSENGER DOOR
	PD9	2-WAY / BLACK	
DOOR LATCH – RH REAR	BR3	8-WAY / BLACK	RH REAR DOOR
	BR6	2-WAY / BLACK	
FOOTWELL LAMP – LH	IP27	2-WAY / GREY	INSTRUMENT PANEL / LH SIDE
FOOTWELL LAMP – RH	IP26	2-WAY / GREY	INSTRUMENT PANEL / RH SIDE
GENERAL ELECTRONIC MODULE	CA86	23-WAY / GREY	BEHIND INSTRUMENT PANEL / RH SIDE
	CA87	23-WAY / GREEN	
	IP5	23-WAY / BROWN	
	IP6	23-WAY / NATURAL	
	JB172	23-WAY / BLUE	
GLOVE BOX LAMP	IP25	2-WAY / BROWN	GLOVE BOX
INTERIOR LAMP – REAR	RC11	2-WAY / BLACK	REAR HEAD LINER
	RC20	1-WAY / ORANGE	
RF MODULE	RC35	3-WAY / BLACK	ROOF CONSOLE
ROOF CONSOLE – PRINTED CIRCUIT BOARD	RC23	20-WAY / WHITE	ROOF CENTER FRONT
ROOF CONSOLE – WITHOUT PRINTED CIRCUIT BOARD	RC30	4-WAY / BLACK	ROOF CENTER FRONT
	RC31	2-WAY / BLACK	
	RC33	4-WAY / BLACK	
	RC34	6-WAY / BLACK	
TAIL GATE LATCH	WT6	6-WAY / BLACK	TAIL GATE
TAIL GLASS LATCH	WT7	4-WAY / BLACK	TAIL GATE
TRUNK LAMP – LH: ESTATE (WAGON)	CA434	2-WAY / BLACK	LH REAR INTERIOR TRIM
TRUNK LAMP – RH: ESTATE (WAGON)	CA433	2-WAY / BLACK	RH REAR INTERIOR TRIM
TRUNK LAMP – SEDAN	CA132	2-WAY / BLACK	TRUNK / RH SIDE
TRUNK LOCK MOTOR	TM6	5-WAY / NATURAL	TRUNK LID
VANITY MIRROR LAMP – LH	RC9	2-WAY / BLACK	LH SUN VISOR
VANITY MIRROR LAMP – RH	RC8	2-WAY / BLACK	RH SUN VISOR

HARNES IN-LINE CONNECTORS

Connector	Connector Description / Location	Location
CA1	22-WAY / NATURAL / INSTRUMENT PANEL HARNESS TO CABIN HARNESS	LH 'A' POST / 'A' POST TRIM
CA15	20-WAY / BLACK / CABIN HARNESS TO DRIVER DOOR HARNESS	DRIVER DOOR / DOOR CASING
CA16	20-WAY / BLACK / CABIN HARNESS TO DRIVER DOOR HARNESS	DRIVER DOOR / DOOR CASING
CA20	20-WAY / BLACK / CABIN HARNESS TO PASSENGER DOOR HARNESS	PASSENGER DOOR / DOOR CASING
CA25	14-WAY / NATURAL / CABIN HARNESS TO LH REAR DOOR HARNESS	LH 'B/C' POST / 'B/C' POST TRIM
CA30	14-WAY / NATURAL / CABIN HARNESS TO RH REAR DOOR HARNESS	RH 'B/C' POST / 'B/C' POST TRIM
CA36	16-WAY / GREEN / CABIN HARNESS TO ROOF HARNESS	LH 'A' POST / WINDSHIELD PILLAR
CA40	16-WAY / GREY / CABIN HARNESS TO ROOF HARNESS	RH 'A' POST / WINDSHIELD PILLAR
CA45	6-WAY / GREY / CABIN HARNESS TO TRUNK LID HARNESS	BEHIND LH 'E' POST TRIM
CA240	12-WAY / GREY / CABIN HARNESS TO INSTRUMENT PANEL HARNESS	LH LOWER 'A' POST / 'A' POST TRIM
TL10	6-WAY / GREY / TRUNK LINK LEAD TO TRUNK LID HARNESS	BELOW PARCEL SHELF / LH SIDE
WL1	8-WAY / BLACK / CABIN HARNESS TO TAIL GATE LINK LEAD	ROOF / CENTER REAR
WL3	3-WAY / BLACK / CABIN HARNESS TO TAIL GATE LINK LEAD	ROOF / CENTER REAR
WT1	8-WAY / BLACK / CABIN HARNESS TO TAIL GATE HARNESS	TAIL GATE
WT3	3-WAY / BLACK / CABIN HARNESS TO TAIL GATE HARNESS	TAIL GATE

GROUNDS

Ground	Harness	Location
G1	CA	TRUNK / UNDER LH TAIL LAMP UNIT
G2	CA	TRUNK / UNDER LH TAIL LAMP UNIT
G4	CA	LOWER RH 'A' POST
G5	IP	UPPER RH 'A' POST
G15	CA	LOWER LH 'A' POST
G37	IP	BEHIND INSTRUMENT PANEL / RH SIDE OF CROSS CAR BEAM

FOR CONTROL MODULE PIN-OUT INFORMATION, UNFOLD PAGE TO LEFT.

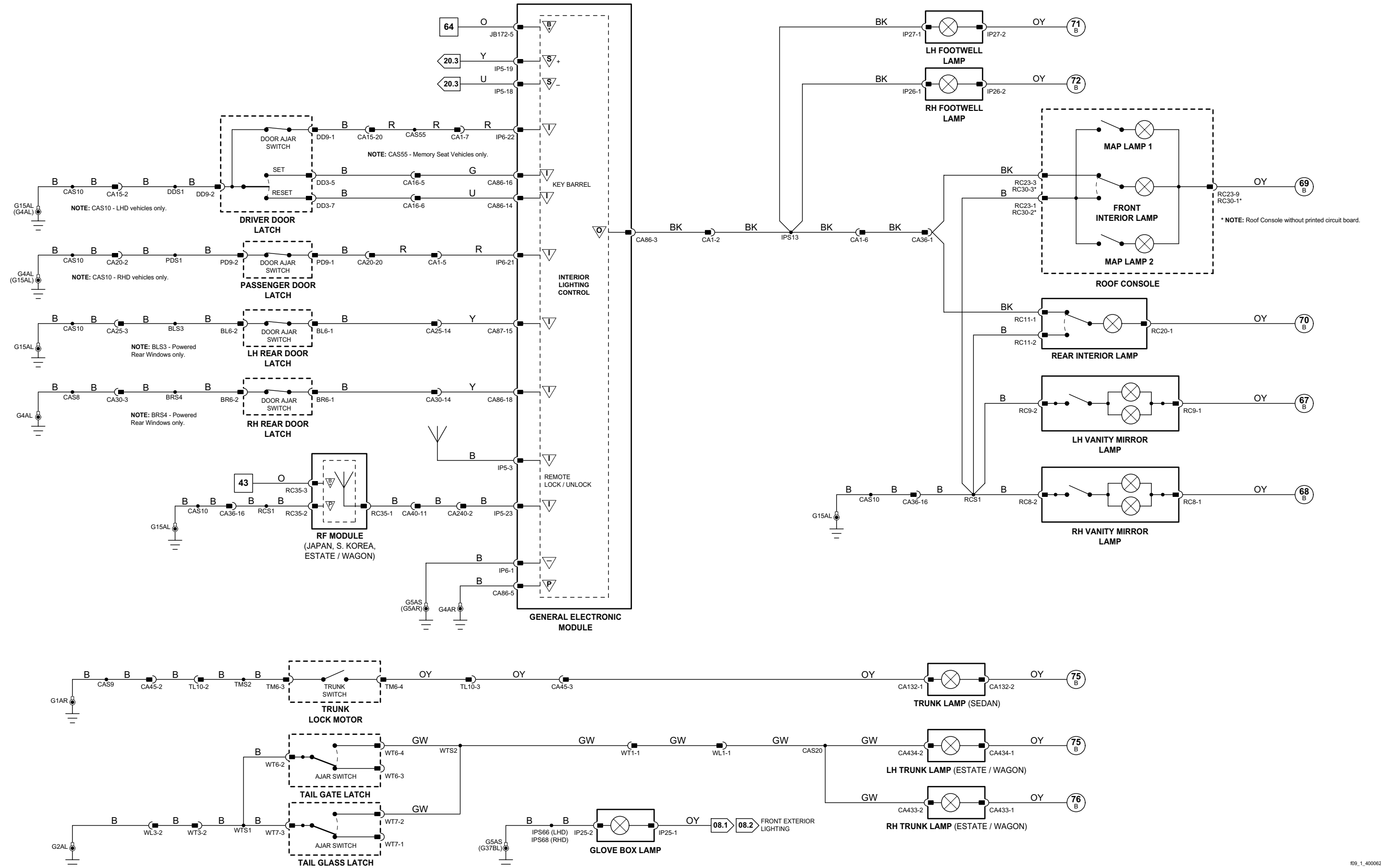
The following abbreviations are used to represent values for Control Module Pin-Out data

I	Input	PG	Power Ground	C	CAN Network	D	Serial and Encoded Data
O	Output	SS	Sensor / Signal Supply V	S	SCP Network	V	Voltage (DC)
B+	Battery Voltage	SG	Sensor / Signal Ground	D2	D2B Network	PWM	Pulse Width Modulated

CAUTION: The information on this data page is furnished to aid the user in understanding circuit operation. THIS INFORMATION SHOULD BE USED FOR REFERENCE ONLY.

NOTE: The values listed are approximately those that can be expected at the control module connector pins with all circuit connections made and all components connected and fitted.

Refer to the front of this book for detailed information and illustrations regarding the location and identification of harnesses, relays, fuses, grounds, control modules and control module pins.



1 → 6 Fig. 01.1	34 → 79 Fig. 01.3	11 → 31 Fig. 01.5	67 → 76 Fig. 01.7	98 → 107 Fig. 01.9	Input	Battery Voltage	Sensor/Signal Supply V	CAN	D2B Network
7 → 33 Fig. 01.2	1 → 10 Fig. 01.4	32 → 66 Fig. 01.6	77 → 97 Fig. 01.8		Output	Power Ground	Sensor/Signal Ground	SCP	Serial and Encoded Data

VARIANT: All Vehicles
 VIN RANGE: All
 DATE OF ISSUE: January 2007

Fig. 09.2**COMPONENTS**

Component	Connector(s)	Connector Description	Location
AUDIO UNIT	ID1	2-WAY / D2B	INSTRUMENT PANEL CENTER
	IP65	20-WAY / BLACK	
	IP106	2-WAY / METALLIC	
CIGAR LIGHTER	IP42	2-WAY / ORANGE	ASH TRAY
CLIMATE CONTROL MODULE – PANEL	AC1	26-WAY / YELLOW	BEHIND CLIMATE CONTROL PANEL
	IP39	4-WAY / GREY	
	IP101	26-WAY / WHITE	
	IP135	2-WAY / GREY	
	DD1	20-WAY / BLACK	
DOOR SWITCH PACK – DRIVER	BL1	8-WAY / BLACK	DRIVER DOOR CASING
DOOR SWITCH PACK – LH REAR	PD10	8-WAY / BLACK	LH REAR DOOR CASING
DOOR SWITCH PACK – PASSENGER	BR1	8-WAY / BLACK	PASSENGER DOOR CASING
DOOR SWITCH PACK – RH REAR	IP51	6-WAY / BLACK	RH REAR DOOR CASING
HAZARD AND SEAT HEATER SWITCHES	IP10	26-WAY / WHITE	CENTER CONSOLE
INSTRUMENT CLUSTER	IP11	26-WAY / WHITE	INSTRUMENT PANEL
	IP14	16-WAY / GREY	
J-GATE MODULE	IP17	16-WAY / BLACK	CENTER CONSOLE
MASTER LIGHTING SWITCH	RC23	20-WAY / WHITE	INSTRUMENT PANEL
ROOF CONSOLE – PRINTED CIRCUIT BOARD	SW4	6-WAY / BLACK	ROOF CENTER FRONT
STEERING WHEEL	IP70	22-WAY / BLACK	STEERING COLUMN
TELEMATICS DISPLAY	IP136	2-WAY / METALLIC	CENTER CONSOLE
	IP137	2-WAY / METALLIC	
	IP138	2-WAY / METALLIC	
	IP139	2-WAY / METALLIC	
	IP29	6-WAY / BLACK	
TRACTION CONTROL / DYNAMIC STABILITY CONTROL SWITCH			INSTRUMENT PANEL

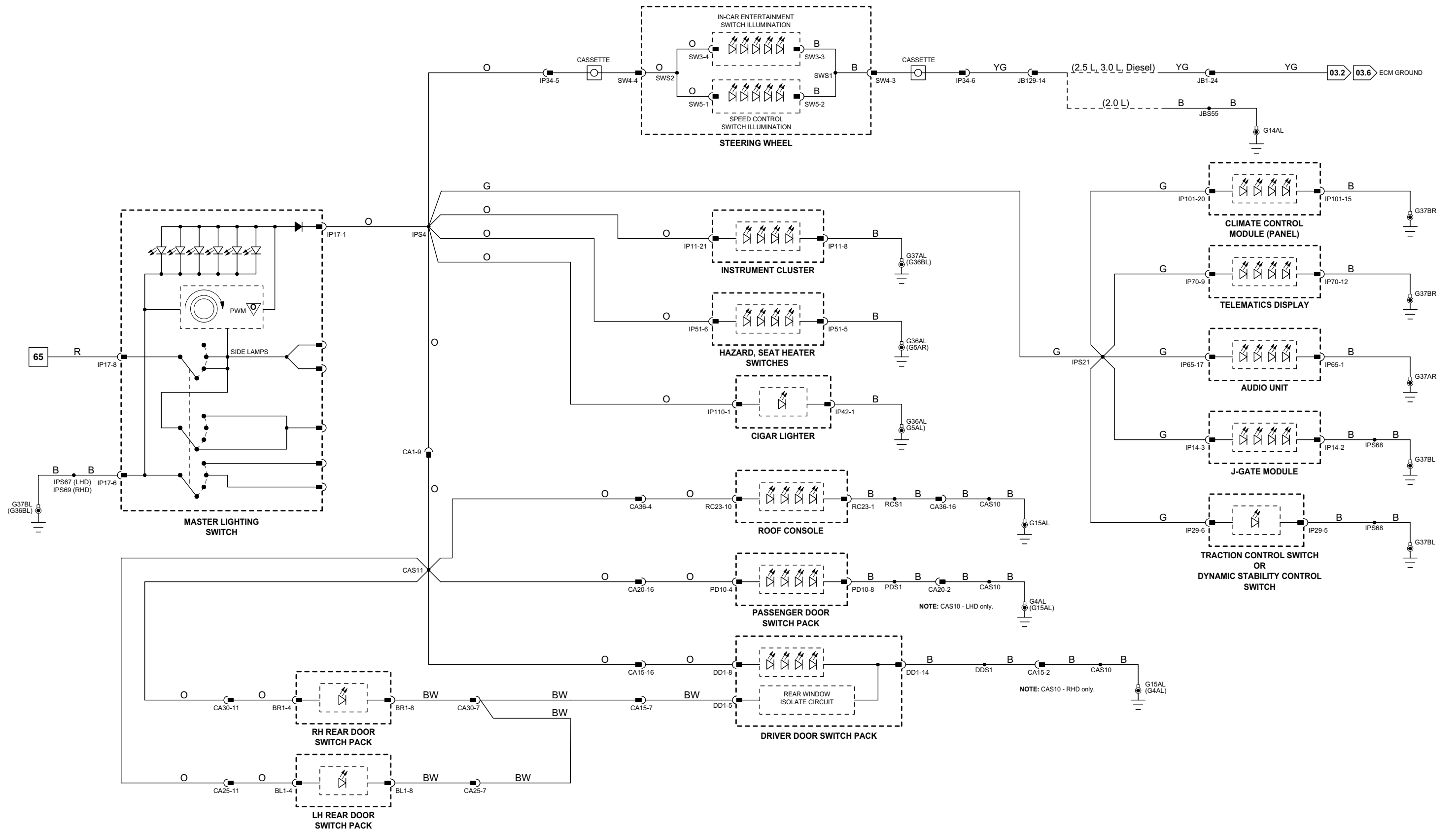
HARNES IN-LINE CONNECTORS

Connector	Connector Description / Location	Location
CA1	22-WAY / NATURAL / INSTRUMENT PANEL HARNESS TO CABIN HARNESS	LH 'A' POST / 'A' POST TRIM
CA15	20-WAY / BLACK / CABIN HARNESS TO DRIVER DOOR HARNESS	DRIVER DOOR / DOOR CASING
CA20	20-WAY / BLACK / CABIN HARNESS TO PASSENGER DOOR HARNESS	PASSENGER DOOR / DOOR CASING
CA25	14-WAY / NATURAL / CABIN HARNESS TO LH REAR DOOR HARNESS	LH 'B/C' POST / 'B/C' POST TRIM
CA30	14-WAY / NATURAL / CABIN HARNESS TO RH REAR DOOR HARNESS	RH 'B/C' POST / 'B/C' POST TRIM
CA36	16-WAY / GREEN / CABIN HARNESS TO ROOF HARNESS	LH 'A' POST / WINDSHIELD PILLAR
IP34	10-WAY / NATURAL / INSTRUMENT PANEL HARNESS TO STEERING WHEEL HARNESS	STEERING WHEEL CASSETTE
JB1	42-WAY / BLACK / ENGINE MANAGEMENT HARNESS TO JUNCTION BOX HARNESS	ENGINE COMPARTMENT / LH SIDE
JB129	22-WAY / GREY / JUNCTION BOX HARNESS TO INSTRUMENT PANEL HARNESS	BELOW INSTRUMENT PANEL / LH SIDE

GROUNDS

Ground	Harness	Location
G4	CA	LOWER RH 'A' POST
G14	JB	ENGINE COMPARTMENT / BEHIND POWER DISTRIBUTION FUSEBOX
G15	CA	LOWER LH 'A' POST
G35	CA	LOWER LH 'E' POST
G36	IP	BEHIND INSTRUMENT PANEL / LH SIDE OF CROSS CAR BEAM
G37	IP	BEHIND INSTRUMENT PANEL / RH SIDE OF CROSS CAR BEAM
G38	CA	UPPER LH 'E' POST

Refer to the front of this book for detailed information and illustrations regarding the location and identification of harnesses, relays, fuses, grounds, control modules and control module pins.



109_2_4000625

1 → 6 Fig. 01.1	34 → 79 Fig. 01.3	11 → 31 Fig. 01.5	67 → 76 Fig. 01.7	98 → 107 Fig. 01.9	Input	Battery Voltage	Sensor/Signal Supply V	CAN	D2B Network
7 → 33 Fig. 01.2	1 → 10 Fig. 01.4	32 → 66 Fig. 01.6	77 → 97 Fig. 01.8		Output	Power Ground	Sensor/Signal Ground	SCP	Serial and Encoded Data

VARIANT: All Vehicles
 VIN RANGE: All
 DATE OF ISSUE: January 2007

Fig. 10.1**COMPONENTS**

Component	Connector(s)	Connector Description	Location
DOOR MIRROR – DRIVER	DD5	22-WAY / GREY	DRIVER DOOR
DOOR MIRROR – PASSENGER	PD4	22-WAY / GREY	PASSENGER DOOR
DOOR SWITCH PACK – DRIVER	DD1	20-WAY / BLACK	DRIVER DOOR CASING
FOLD BACK MODULE	–	–	PASSENGER JUNCTION FUSEBOX
PASSENGER JUNCTION FUSEBOX	–	–	PASSENGER COMPARTMENT, FRONT BULKHEAD / LH SIDE

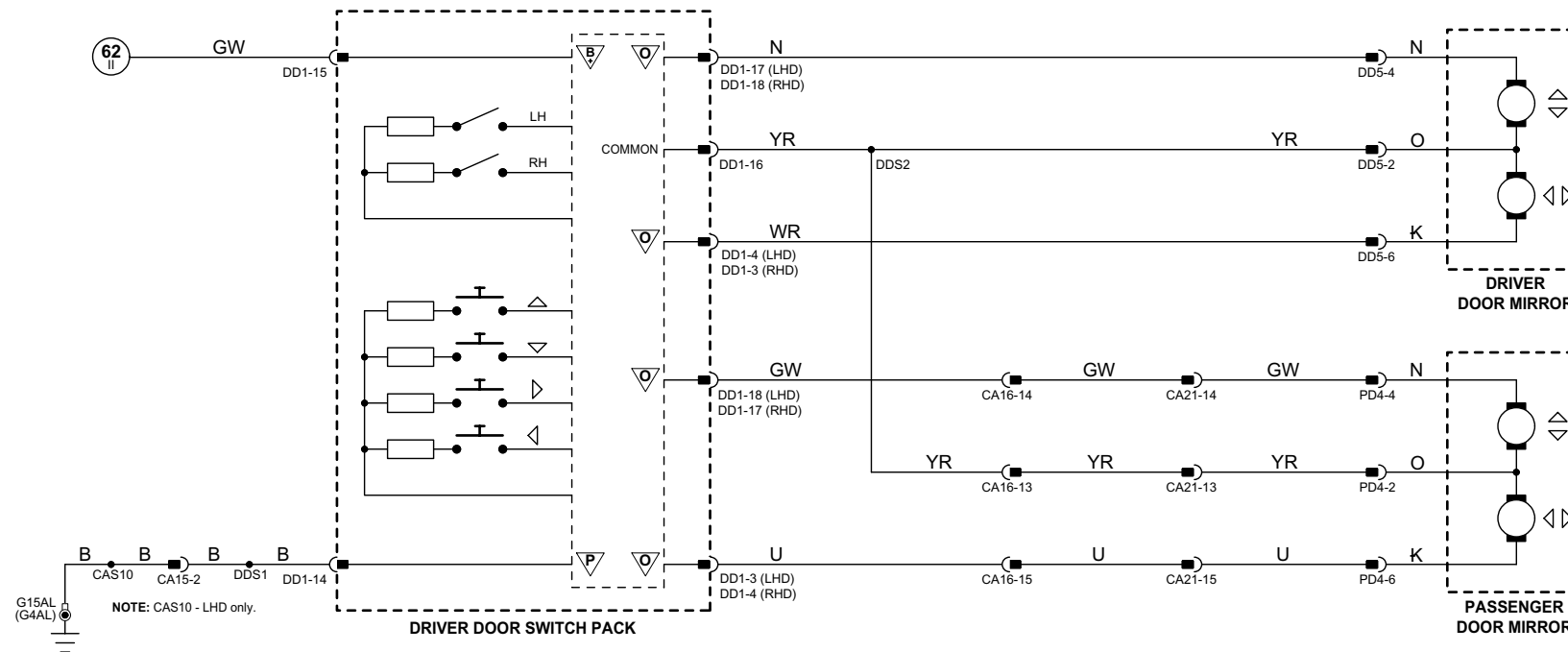
HARNESS IN-LINE CONNECTORS

Connector	Connector Description / Location	Location
CA15	20-WAY / BLACK / CABIN HARNESS TO DRIVER DOOR HARNESS	DRIVER DOOR / DOOR CASING
CA16	20-WAY / BLACK / CABIN HARNESS TO DRIVER DOOR HARNESS	DRIVER DOOR / DOOR CASING
CA21	20-WAY / BLACK / CABIN HARNESS TO PASSENGER DOOR HARNESS	PASSENGER DOOR / DOOR CASING

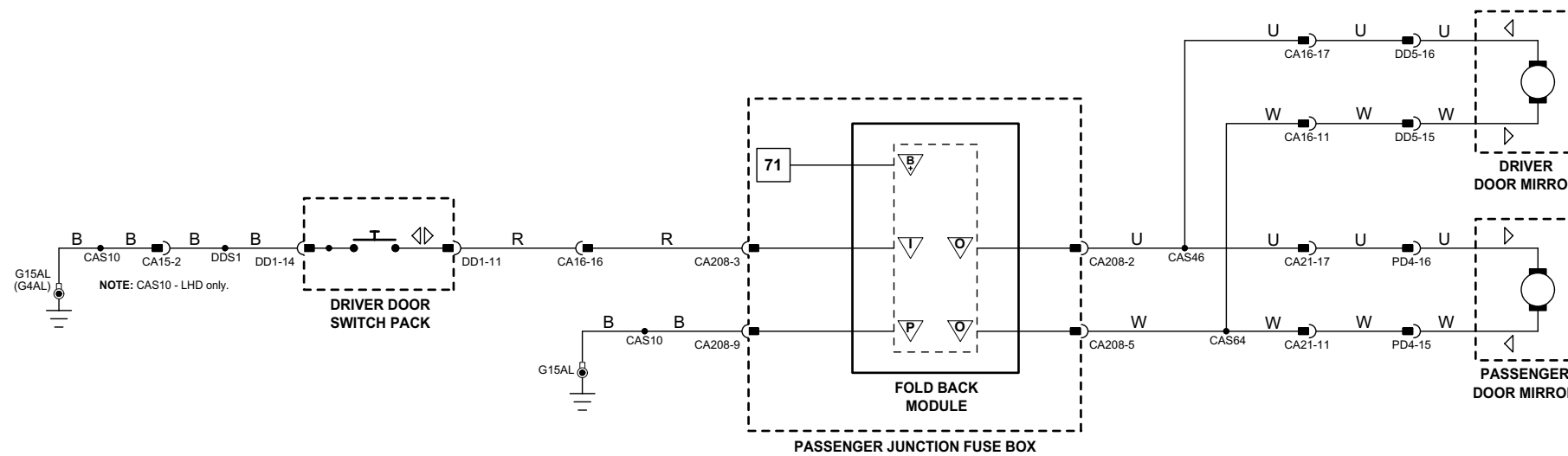
GROUNDS

Ground	Harness	Location
G4	CA	LOWER RH 'A' POST
G15	CA	LOWER LH 'A' POST

Refer to the front of this book for detailed information and illustrations regarding the location and identification of harnesses, relays, fuses, grounds, control modules and control module pins.



DOOR MIRROR MOVEMENT



NOTE: Refer to Figure 06.3 for Mirror Heaters.

DOOR MIRRORS: FOLD-BACK

Driver Seat Module

	Pin	Description and Characteristic
C	DM1-02	CAN -
I	DM1-05	LH DOOR MIRROR LEFT / RIGHT MOVEMENT SWITCH SIGNAL
I	DM1-06	LH DOOR MIRROR UP / DOWN MOVEMENT SWITCH SIGNAL
I	DM1-07	RH DOOR MIRROR UP / DOWN MOVEMENT SWITCH SIGNAL
I	DM1-08	RH DOOR MIRROR LEFT / RIGHT MOVEMENT SWITCH SIGNAL
I	DM1-09	DOOR MIRROR MOVEMENT SWITCHES COMMON
C	DM1-12	CAN +
O	DM1-14	DOOR MIRROR MOVEMENT / HEATERS DRIVE
I	DM1-20	MIRRORS FOLD BACK SWITCH SIGNAL: GROUND WHEN ACTIVATED
B+	DM2-01	BATTERY POWER SUPPLY: B+
SG	DM2-03	SIGNAL GROUND: GROUND
B+	DM2-04	IGNITION SWITCHED POWER SUPPLY II: B+
PG	DM2-05	POWER GROUND: GROUND
B+	DM2-06	BATTERY POWER SUPPLY: B+

Fig. 10.2

COMPONENTS

Component	Connector(s)	Connector Description	Location
DOOR MIRROR - DRIVER	DD5	22-WAY / GREY	DRIVER DOOR
DOOR MIRROR - PASSENGER	PD4	22-WAY / GREY	PASSENGER DOOR
DOOR SWITCH PACK - DRIVER	DD1	20-WAY / BLACK	DRIVER DOOR CASING
SEAT MODULE - DRIVER	DM2	10-WAY / GREY	DRIVER SEAT SWITCH PACK
	DM3	16-WAY / BLACK	
	DM4	8-WAY / BLUE	
	DM5	8-WAY / GREEN	

HARNESS IN-LINE CONNECTORS

Connector	Connector Description / Location	Location
CA15	20-WAY / BLACK / CABIN HARNESS TO DRIVER DOOR HARNESS	DRIVER DOOR / DOOR CASING
CA16	20-WAY / BLACK / CABIN HARNESS TO DRIVER DOOR HARNESS	DRIVER DOOR / DOOR CASING
CA20	20-WAY / BLACK / CABIN HARNESS TO PASSENGER DOOR HARNESS	PASSENGER DOOR / DOOR CASING
CA21	20-WAY / BLACK / CABIN HARNESS TO PASSENGER DOOR HARNESS	PASSENGER DOOR / DOOR CASING
CA65	18-WAY / BLACK / CABIN HARNESS TO DRIVER SEAT HARNESS	UNDER DRIVER SEAT
CA431	16-WAY / GREY / CABIN HARNESS TO DRIVER SEAT HARNESS	UNDER DRIVER SEAT

GROUNDS

Ground	Harness	Location
G4	CA	LOWER RH 'A' POST
G15	CA	LOWER LH 'A' POST

FOR CONTROL MODULE PIN-OUT INFORMATION, UNFOLD PAGE TO LEFT.

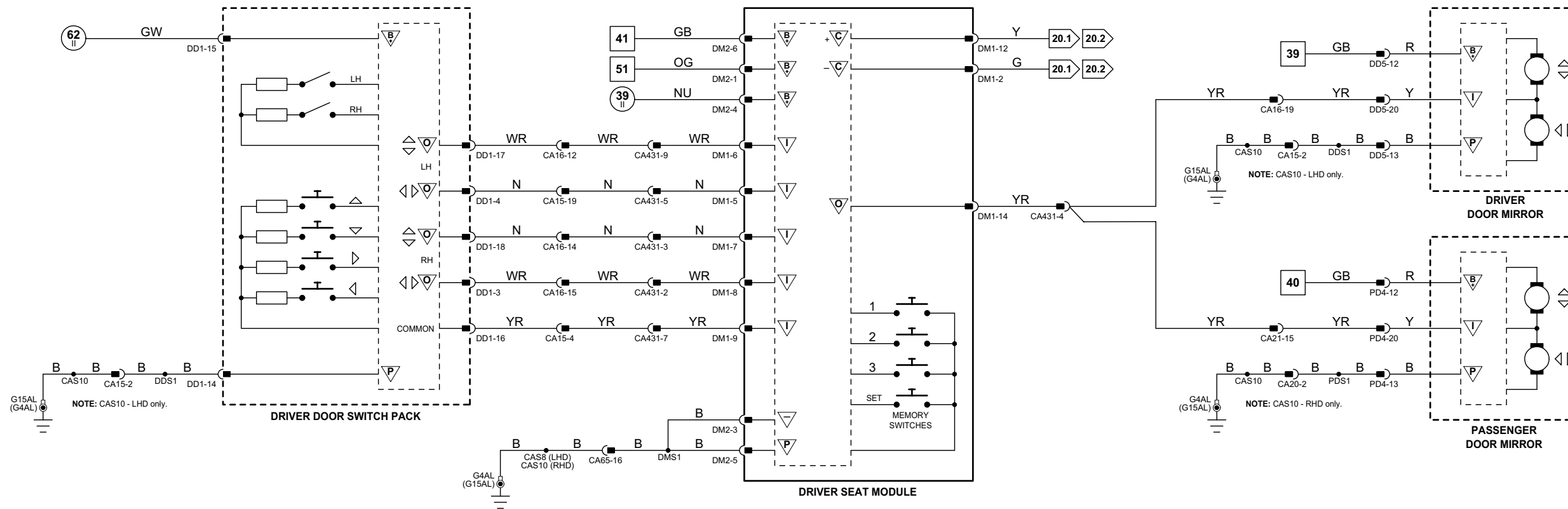
The following abbreviations are used to represent values for Control Module Pin-Out data

I	Input	PG	Power Ground	C	CAN Network	D	Serial and Encoded Data
O	Output	SS	Sensor / Signal Supply V	S	SCP Network	V	Voltage (DC)
B+	Battery Voltage	SG	Sensor / Signal Ground	D2	D2B Network	PWM	Pulse Width Modulated

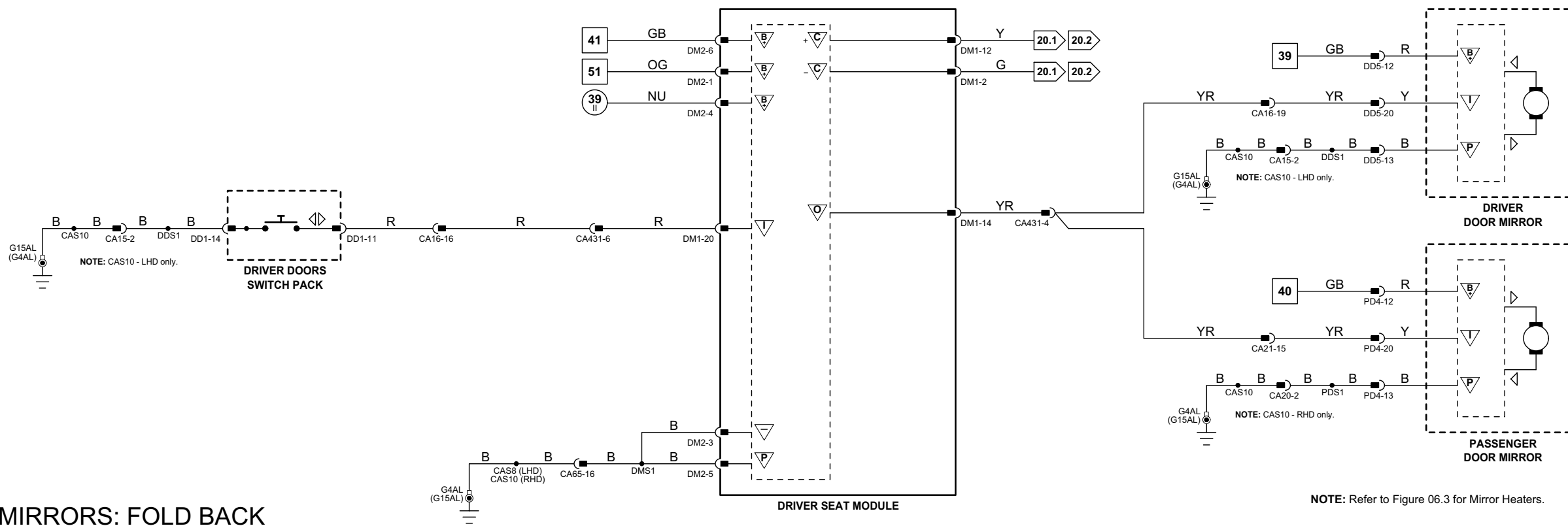
CAUTION: The information on this data page is furnished to aid the user in understanding circuit operation. THIS INFORMATION SHOULD BE USED FOR REFERENCE ONLY.

NOTE: The values listed are approximately those that can be expected at the control module connector pins with all circuit connections made and all components connected and fitted.

Refer to the front of this book for detailed information and illustrations regarding the location and identification of harnesses, relays, fuses, grounds, control modules and control module pins.



DOOR MIRROR MOVEMENT



NOTE: Refer to Figure 06.3 for Mirror Heaters.

DOOR MIRRORS: FOLD BACK

1 → 6 Fig. 01.1	34 → 79 Fig. 01.3	11 → 31 Fig. 01.5	67 → 76 Fig. 01.7	98 → 107 Fig. 01.9	Input	Battery Voltage	Sensor/Signal Supply V	CAN	D2B Network
7 → 33 Fig. 01.2	1 → 10 Fig. 01.4	32 → 66 Fig. 01.6	77 → 97 Fig. 01.8		Output	Power Ground	Sensor/Signal Ground	SCP	Serial and Encoded Data

VARIANT: Memory Vehicles
VIN RANGE: All
DATE OF ISSUE: January 2007

Driver Seat Module

	Pin	Description and Characteristic
C	DM1-02	CAN -
C	DM1-12	CAN +
B+	DM2-01	BATTERY POWER SUPPLY: B+
SG	DM2-03	SIGNAL GROUND: GROUND
B+	DM2-04	IGNITION SWITCHED POWER SUPPLY II: B+
PG	DM2-05	POWER GROUND: GROUND
B+	DM2-06	BATTERY POWER SUPPLY: B+
I	DM2-07	DRIVER DOOR AJAR SWITCH SIGNAL: OPEN CIRCUIT WHEN ACTIVATED
PG	DM2-10	POWER GROUND: GROUND
I	DM3-01	DRIVER SEAT BACK RECLINE / INCLINE POSITION SIGNAL
SG	DM3-02	DRIVER SEAT BACK RECLINE / INCLINE POSITION SIGNAL GROUND
I	DM3-03	DRIVER SEAT CUSHION REAR UP / DOWN POSITION SIGNAL
SG	DM3-04	DRIVER SEAT CUSHION REAR UP / DOWN POSITION SIGNAL GROUND
I	DM3-05	DRIVER SEAT CUSHION FRONT UP / DOWN POSITION SIGNAL
SG	DM3-06	DRIVER SEAT CUSHION FRONT UP / DOWN POSITION SIGNAL GROUND
I	DM3-07	DRIVER SEAT FORE / AFT POSITION SIGNAL
SG	DM3-08	DRIVER SEAT FORE / AFT POSITION SIGNAL GROUND
O	DM4-01	DRIVER SEAT BACK RECLINE / INCLINE MOTOR DRIVE
O	DM4-02	DRIVER SEAT BACK RECLINE / INCLINE MOTOR DRIVE
O	DM4-03	DRIVER SEAT CUSHION REAR UP / DOWN MOTOR DRIVE
O	DM4-04	DRIVER SEAT CUSHION REAR UP / DOWN MOTOR DRIVE
O	DM4-05	DRIVER SEAT CUSHION FRONT UP / DOWN MOTOR DRIVE
O	DM4-06	DRIVER SEAT CUSHION FRONT UP / DOWN MOTOR DRIVE
O	DM4-07	DRIVER SEAT FORE / AFT MOTOR DRIVE
O	DM4-08	DRIVER SEAT FORE / AFT MOTOR DRIVE
O	DM5-01	DRIVER SEAT LUMBAR PUMP DRIVE
O	DM5-02	DRIVER SEAT LUMBAR PUMP DRIVE

Fig. 11.1

COMPONENTS

Component	Connector(s)	Connector Description	Location
DOOR LATCH - DRIVER	DD3	8-WAY / BLACK	DRIVER DOOR
	DD9	2-WAY / BLACK	
SEAT LUMBAR PUMP - DRIVER	DM10	3-WAY / WHITE	DRIVER SEAT
SEAT MODULE - DRIVER	DM2	10-WAY / GREY	DRIVER SEAT SWITCH PACK
	DM3	16-WAY / BLACK	
	DM4	8-WAY / BLUE	
	DM5	8-WAY / GREEN	
SEAT MOTORS AND POSITION SENSORS - DRIVER	DM7	4-WAY / GREY	DRIVER SEAT
	DM8	4-WAY / GREY	
	DM9	4-WAY / GREY	
	ML12	4-WAY / GREY	

HARNESS IN-LINE CONNECTORS

Connector	Connector Description / Location	Location
CA15	20-WAY / BLACK / CABIN HARNESS TO DRIVER DOOR HARNESS	DRIVER DOOR / DOOR CASING
CA65	18-WAY / BLACK / CABIN HARNESS TO DRIVER SEAT HARNESS	UNDER DRIVER SEAT
CA431	12-WAY / BLACK / INSTRUMENT PANEL HARNESS TO CABIN HARNESS	INSTRUMENT PANEL
DM6	4-WAY / GREY / DRIVER SEAT HARNESS TO LINK LEAD HARNESS	UNDER DRIVER SEAT

GROUNDS

Ground	Harness	Location
G4	CA	LOWER RH 'A' POST
G15	CA	LOWER LH 'A' POST

FOR CONTROL MODULE PIN-OUT INFORMATION, UNFOLD PAGE TO LEFT.

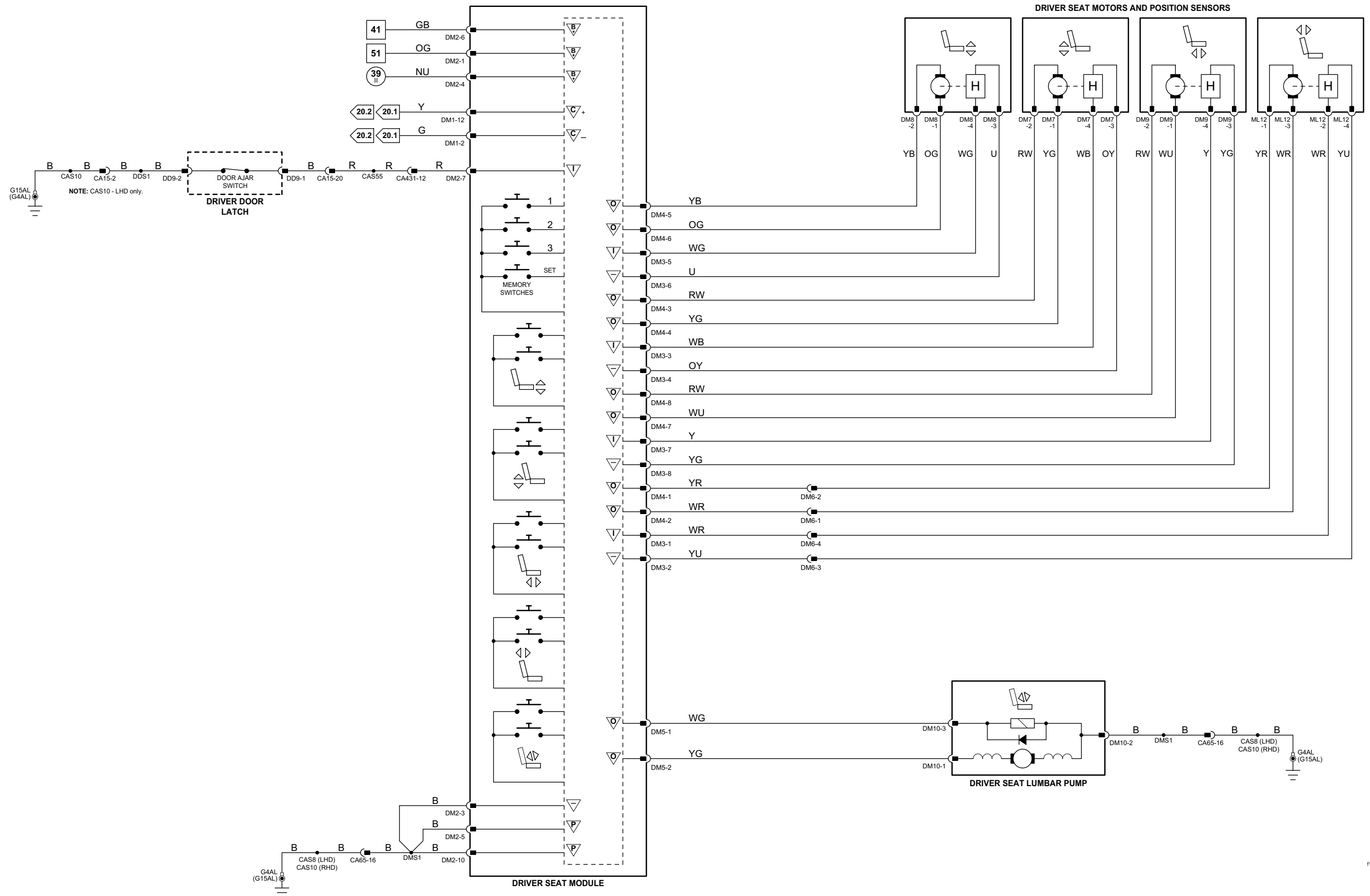
The following abbreviations are used to represent values for Control Module Pin-Out data

I	Input	PG	Power Ground	C	CAN Network	D	Serial and Encoded Data
O	Output	SS	Sensor / Signal Supply V	S	SCP Network	V	Voltage (DC)
B+	Battery Voltage	SG	Sensor / Signal Ground	D2	D2B Network	PWM	Pulse Width Modulated

CAUTION: The information on this data page is furnished to aid the user in understanding circuit operation. THIS INFORMATION SHOULD BE USED FOR REFERENCE ONLY.

NOTE: The values listed are approximately those that can be expected at the control module connector pins with all circuit connections made and all components connected and fitted.

Refer to the front of this book for detailed information and illustrations regarding the location and identification of harnesses, relays, fuses, grounds, control modules and control module pins.



f11_1_4000625

Passenger Seat Module

	Pin	Description and Characteristic
B+	PM2-01	BATTERY POWER SUPPLY: B+
I	PM2-02	PASSENGER SEAT HEATER SWITCH SIGNAL
B+	PM2-04	IGNITION SWITCHED POWER SUPPLY II: B+
PG	PM2-05	POWER GROUND: GROUND
B+	PM2-06	BATTERY POWER SUPPLY: B+
PG	PM2-10	POWER GROUND: GROUND
O	PM4-01	PASSENGER SEAT BACK RECLINE / INCLINE MOTOR DRIVE
O	PM4-02	PASSENGER SEAT BACK RECLINE / INCLINE MOTOR DRIVE
O	PM4-03	PASSENGER SEAT CUSHION REAR UP / DOWN MOTOR DRIVE
O	PM4-04	PASSENGER SEAT CUSHION REAR UP / DOWN MOTOR DRIVE
O	PM4-05	PASSENGER SEAT CUSHION FRONT UP / DOWN MOTOR DRIVE
O	PM4-06	PASSENGER SEAT CUSHION FRONT UP / DOWN MOTOR DRIVE
O	PM4-07	PASSENGER SEAT FORE / AFT MOTOR DRIVE
O	PM4-08	PASSENGER SEAT FORE / AFT MOTOR DRIVE
O	PM5-01	PASSENGER SEAT LUMBAR PUMP DRIVE
O	PM5-02	PASSENGER SEAT LUMBAR PUMP DRIVE

Fig. 11.2

COMPONENTS

Component	Connector(s)	Connector Description	Location
SEAT LUMBAR PUMP – PASSENGER	PM19	3-WAY / WHITE	PASSENGER SEAT
SEAT MODULE – PASSENGER	PM2	10-WAY / GREY	PASSENGER SEAT SWITCH PACK
	PM4	8-WAY / BLUE	
	PM5	8-WAY / GREEN	
SEAT MOTORS – PASSENGER	PM6	2-WAY / RED	PASSENGER SEAT
	PM7	2-WAY / RED	
	PM8	2-WAY / BLACK	
	PM9	2-WAY / RED	

HARNESS IN-LINE CONNECTORS

Connector	Connector Description / Location	Location
CA70	18-WAY / BLACK / CABIN HARNESS TO DRIVER SEAT HARNESS	UNDER DRIVER SEAT

GROUNDS

Ground	Harness	Location
G4	CA	LOWER RH 'A' POST
G15	CA	LOWER LH 'A' POST

FOR CONTROL MODULE PIN-OUT INFORMATION, UNFOLD PAGE TO LEFT.

The following abbreviations are used to represent values for Control Module Pin-Out data

I	Input	PG	Power Ground	C	CAN Network	D	Serial and Encoded Data
O	Output	SS	Sensor / Signal Supply V	S	SCP Network	V	Voltage (DC)
B+	Battery Voltage	SG	Sensor / Signal Ground	D2	D2B Network	PWM	Pulse Width Modulated

CAUTION: The information on this data page is furnished to aid the user in understanding circuit operation. THIS INFORMATION SHOULD BE USED FOR REFERENCE ONLY.

NOTE: The values listed are approximately those that can be expected at the control module connector pins with all circuit connections made and all components connected and fitted.

Refer to the front of this book for detailed information and illustrations regarding the location and identification of harnesses, relays, fuses, grounds, control modules and control module pins.

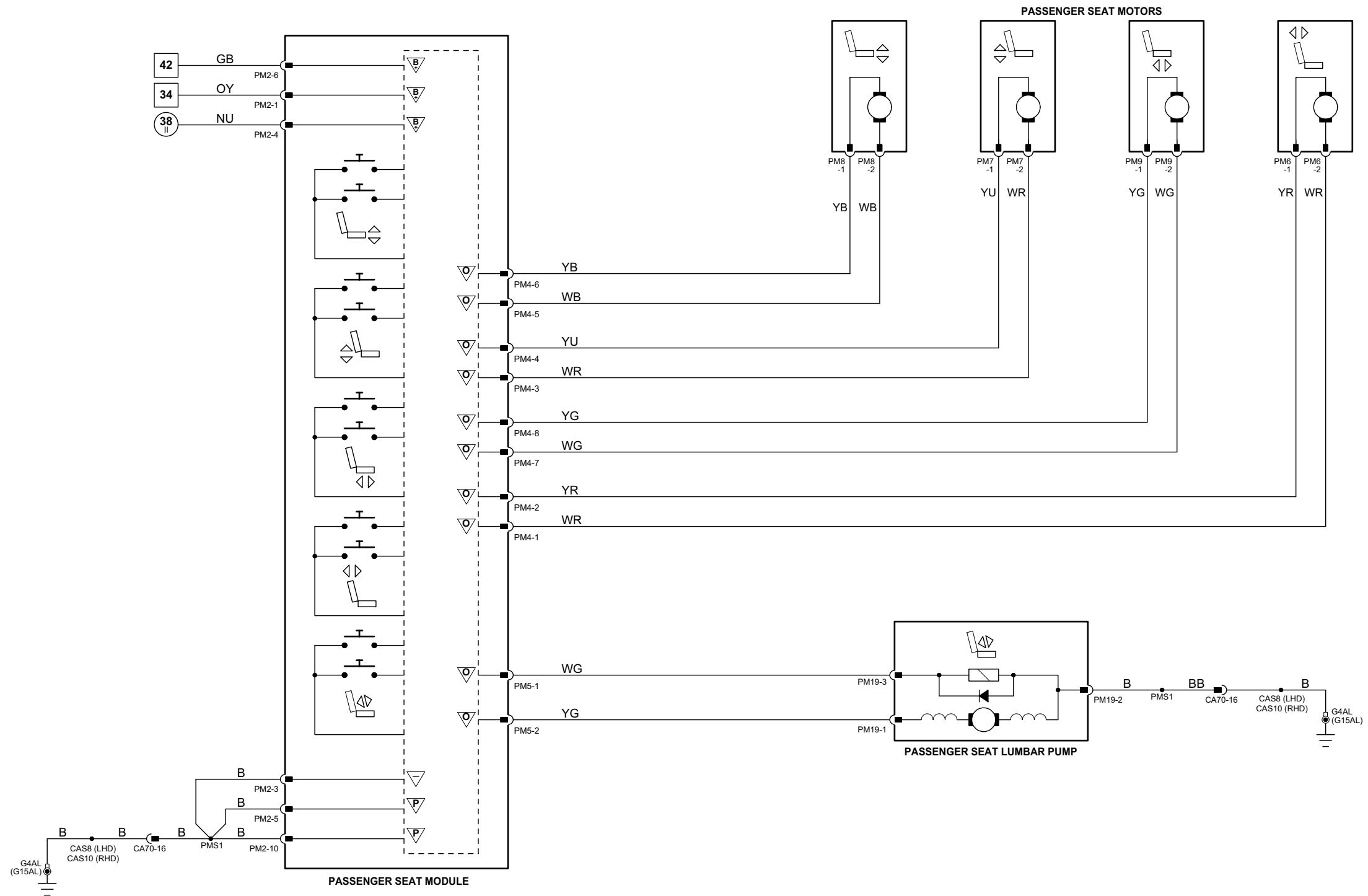


Fig. 11.3**COMPONENTS**

Component	Connector(s)	Connector Description	Location
LUMBAR SWITCH PACK – LH	RS16	7-WAY / BLACK	LH FRONT SEAT
LUMBAR SWITCH PACK – RH	LS16	7-WAY / BLACK	RH FRONT SEAT
SEAT LUMBAR PUMP – LH	LS19	3-WAY / WHITE	LH FRONT SEAT
SEAT LUMBAR PUMP – RH	RS19	3-WAY / WHITE	RH FRONT SEAT
SEAT MOVEMENT MOTORS – LH	LS2	2-WAY / NATURAL	LH FRONT SEAT
	LS4	2-WAY / RED	
	LS5	2-WAY / BLACK	
	LS6	2-WAY / RED	
SEAT MOVEMENT MOTORS – RH	RS2	2-WAY / NATURAL	RH FRONT SEAT
	RS4	2-WAY / RED	
	RS5	2-WAY / BLACK	
	RS6	2-WAY / RED	
SEAT SWITCH PACK – LH	LS1	12-WAY / GREY	LH FRONT SEAT
SEAT SWITCH PACK – RH	RS1	12-WAY / GREY	RH FRONT SEAT

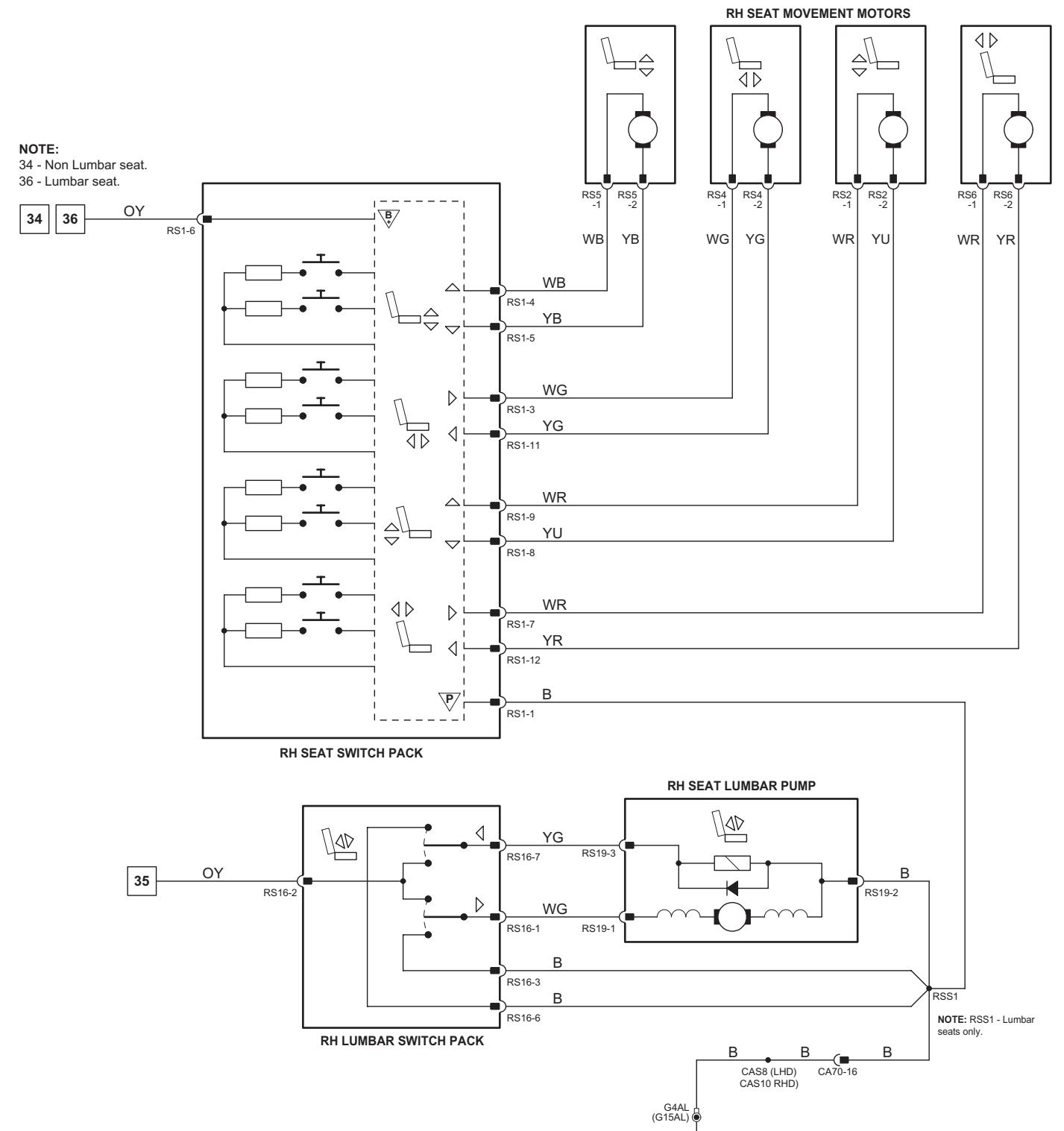
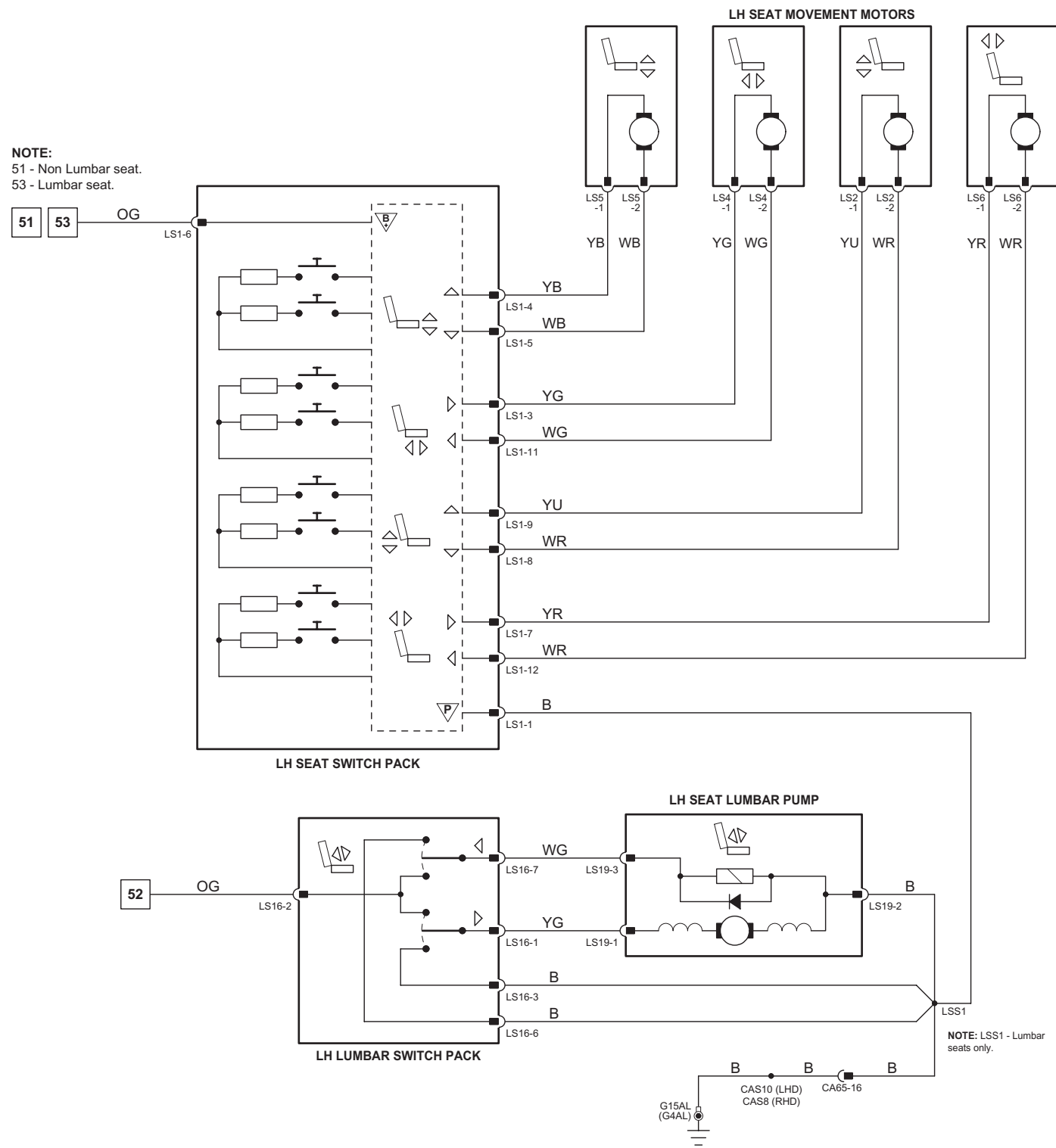
HARNESS IN-LINE CONNECTORS

Connector	Connector Description / Location	Location
CA65	18-WAY / BLACK / CABIN HARNESS TO DRIVER SEAT HARNESS	UNDER DRIVER SEAT
CA70	18-WAY / BLACK / CABIN HARNESS TO DRIVER SEAT HARNESS	UNDER DRIVER SEAT

GROUNDS

Ground	Harness	Location
G4	CA	LOWER RH 'A' POST
G15	CA	LOWER LH 'A' POST

Refer to the front of this book for detailed information and illustrations regarding the location and identification of harnesses, relays, fuses, grounds, control modules and control module pins.



NOTE: Powered Lumbar circuit and components - Powered Lumbar seats only.

f11_3_4000625

1 → 6 Fig. 01.1	34 → 79 Fig. 01.3	11 → 31 Fig. 01.5	67 → 76 Fig. 01.7	98 → 107 Fig. 01.9	Input	Battery Voltage	Sensor/Signal Supply V	CAN	D2B Network
7 → 33 Fig. 01.2	1 → 10 Fig. 01.4	32 → 66 Fig. 01.6	77 → 97 Fig. 01.8		Output	Power Ground	Sensor/Signal Ground	SCP	Serial and Encoded Data

VARIANT: 8-way Powered Seat Vehicles
VIN RANGE: All
DATE OF ISSUE: January 2007

Fig. 11.4**COMPONENTS**

Component	Connector(s)	Connector Description	Location
LUMBAR SWITCH PACK – LH	RS16	7-WAY / BLACK	LH FRONT SEAT
LUMBAR SWITCH PACK – RH	LS16	7-WAY / BLACK	RH FRONT SEAT
SEAT LUMBAR PUMP – LH	LS19	3-WAY / WHITE	LH FRONT SEAT
SEAT LUMBAR PUMP – RH	RS19	3-WAY / WHITE	RH FRONT SEAT
SEAT MOVEMENT MOTORS – LH	LS2	2-WAY / NATURAL	LH FRONT SEAT
	LS4	2-WAY / RED	
SEAT MOVEMENT MOTORS – RH	RS2	2-WAY / NATURAL	RH FRONT SEAT
	RS4	2-WAY / RED	
SEAT SWITCH PACK – LH	LS1	12-WAY / GREY	LH FRONT SEAT
SEAT SWITCH PACK – RH	RS1	12-WAY / GREY	RH FRONT SEAT

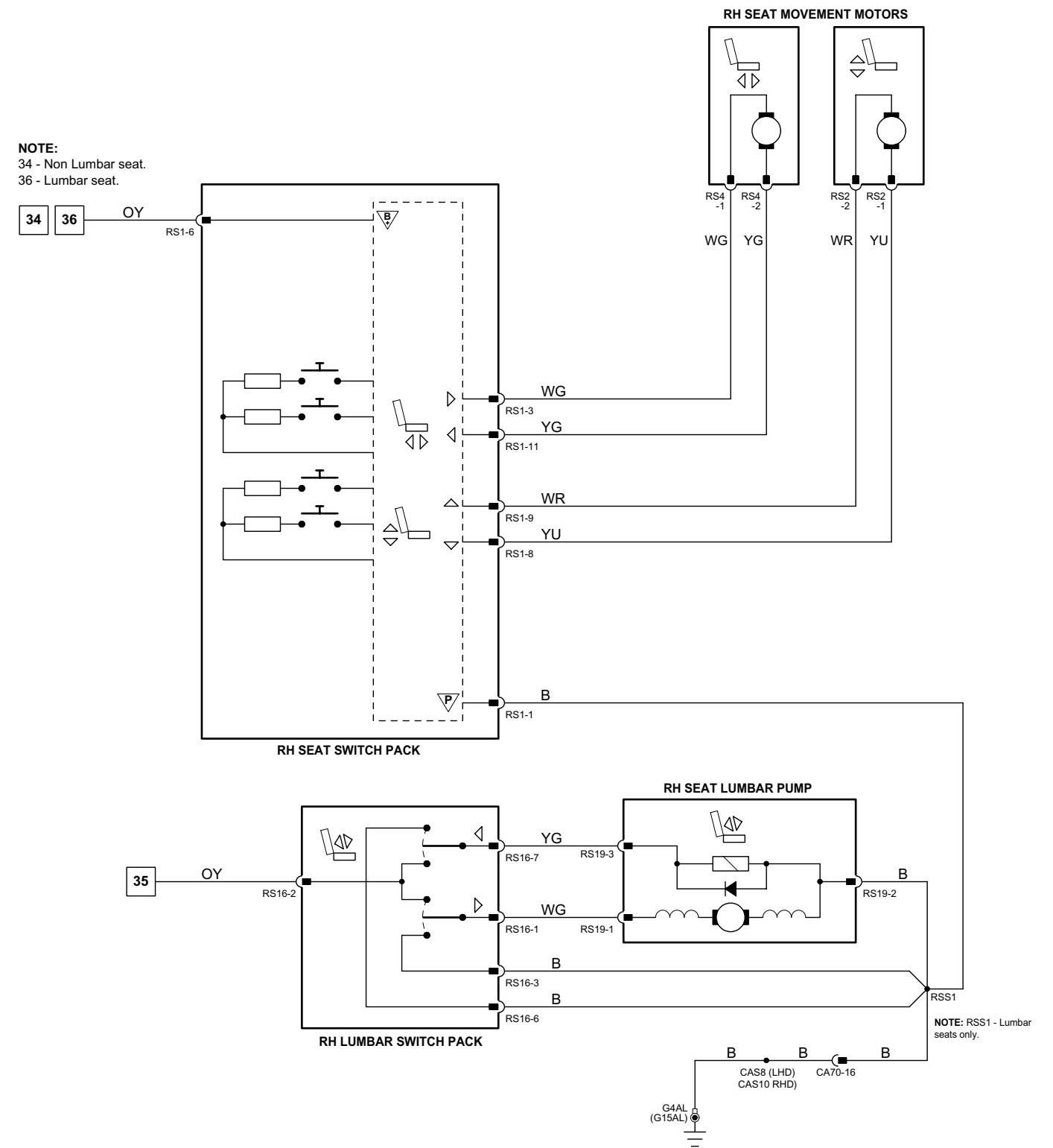
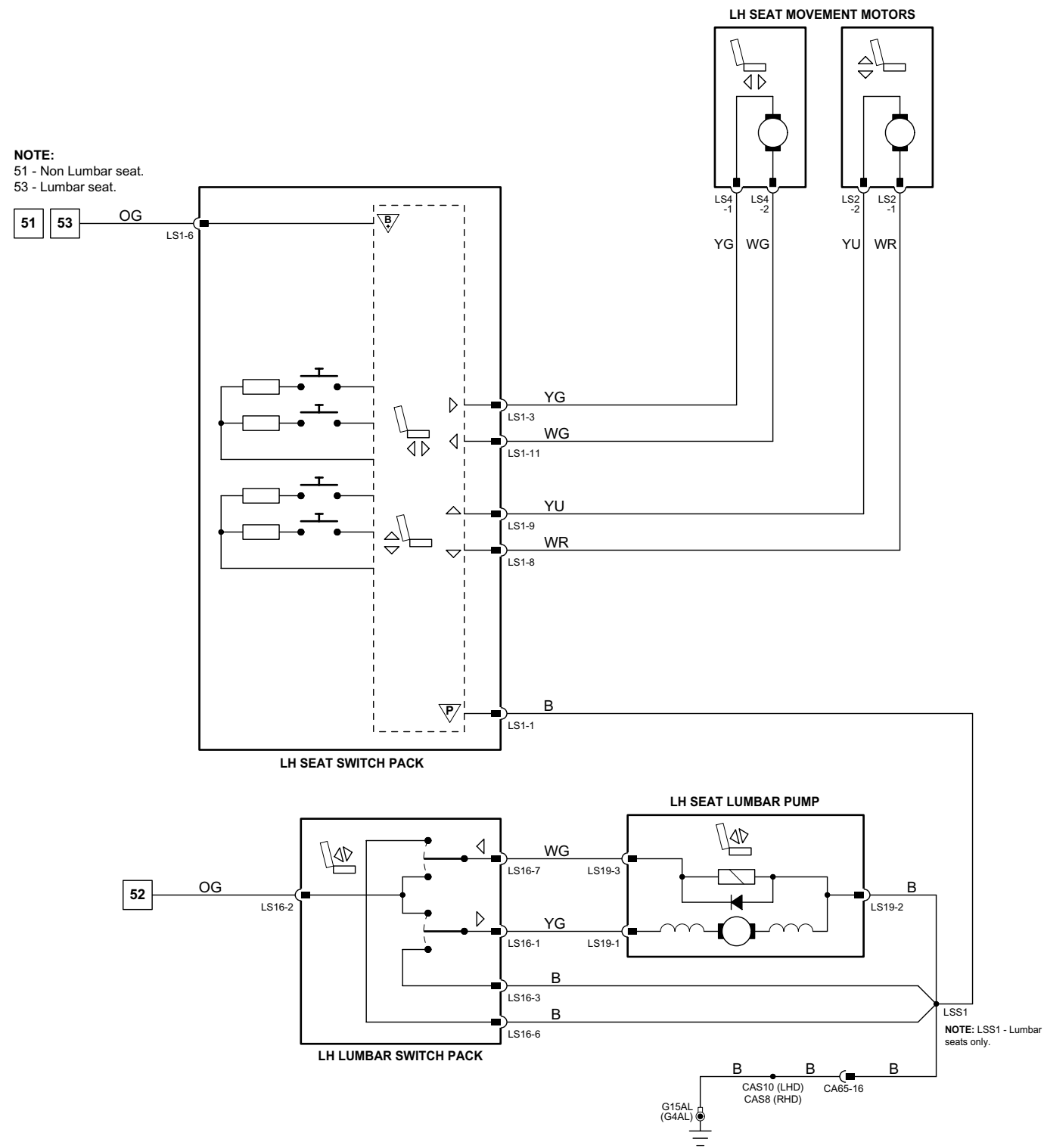
HARNESS IN-LINE CONNECTORS

Connector	Connector Description / Location	Location
CA65	18-WAY / BLACK / CABIN HARNESS TO DRIVER SEAT HARNESS	UNDER DRIVER SEAT
CA70	18-WAY / BLACK / CABIN HARNESS TO DRIVER SEAT HARNESS	UNDER DRIVER SEAT

GROUNDS

Ground	Harness	Location
G4	CA	LOWER RH 'A' POST
G15	CA	LOWER LH 'A' POST

Refer to the front of this book for detailed information and illustrations regarding the location and identification of harnesses, relays, fuses, grounds, control modules and control module pins.



NOTE: Powered Lumbar circuit and components - Powered Lumbar seats only.

Fig. 11.5**COMPONENTS**

Component	Connector(s)	Connector Description	Location
SEAT MOTOR – LH	LS10	2-WAY / RED	LH FRONT SEAT
SEAT MOTOR – RH	RS10	2-WAY / RED	RH FRONT SEAT
SEAT SWITCH PACK – LH	LS1	12-WAY / GREY	LH FRONT SEAT
SEAT SWITCH PACK – RH	RS1	12-WAY / GREY	RH FRONT SEAT

HARNES IN-LINE CONNECTORS

Connector	Connector Description / Location	Location
CA65	18-WAY / BLACK / CABIN HARNESS TO DRIVER SEAT HARNESS	UNDER DRIVER SEAT
CA70	18-WAY / BLACK / CABIN HARNESS TO DRIVER SEAT HARNESS	UNDER DRIVER SEAT

GROUNDS

Ground	Harness	Location
G4	CA	LOWER RH 'A' POST
G15	CA	LOWER LH 'A' POST

Refer to the front of this book for detailed information and illustrations regarding the location and identification of harnesses, relays, fuses, grounds, control modules and control module pins.

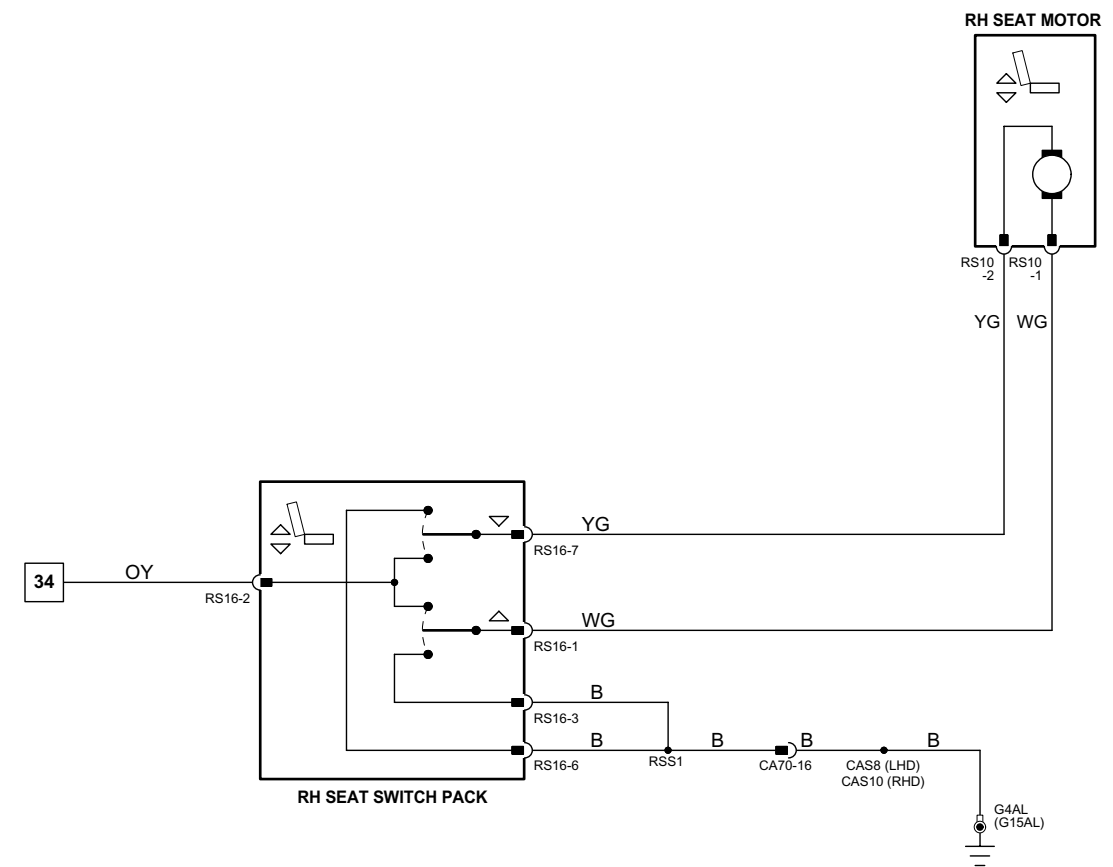
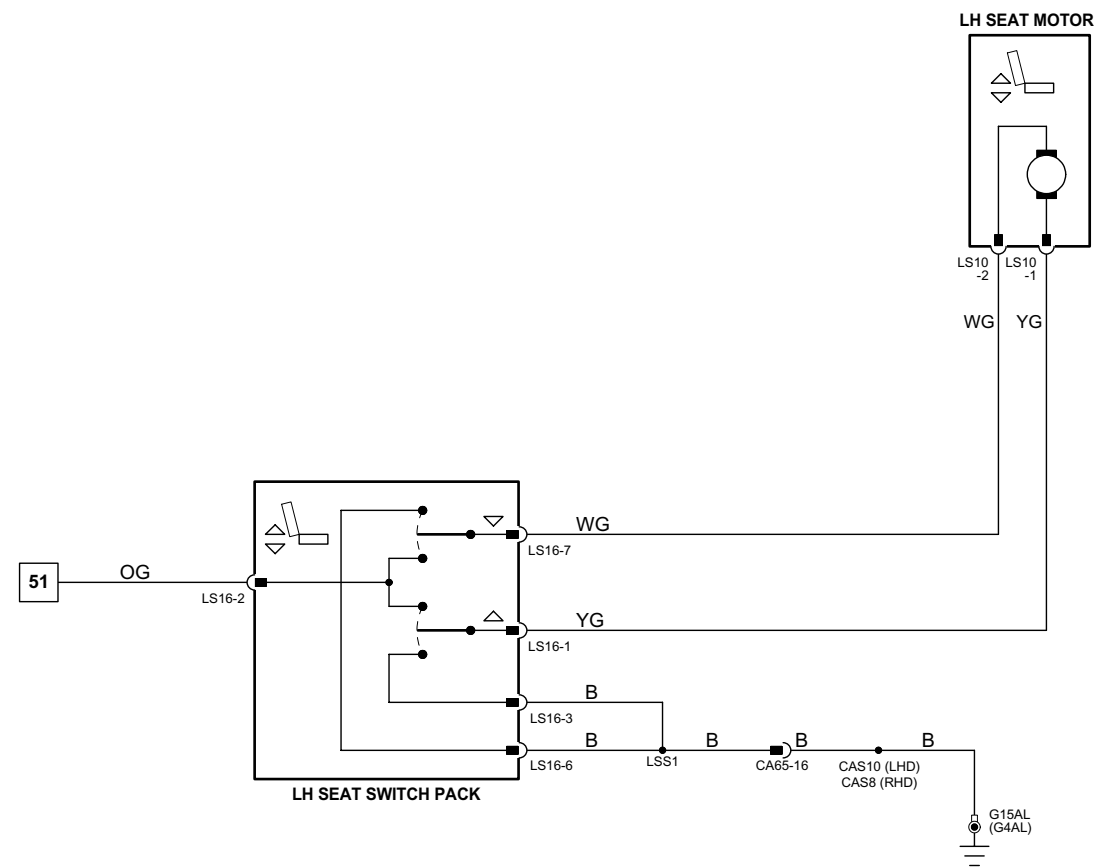


Fig. 11.6

Driver Seat Module

	Pin	Description and Characteristic
B+	DM2-01	BATTERY POWER SUPPLY: B+
I	DM2-02	DRIVER SEAT HEATER SWITCH SIGNAL
SG	DM2-03	SIGNAL GROUND: GROUND
B+	DM2-04	IGNITION SWITCHED POWER SUPPLY II: B+
PG	DM2-05	POWER GROUND: GROUND
B+	DM2-06	BATTERY POWER SUPPLY: B+
O	DM2-08	DRIVER SEAT HEATER STATE
O	DM2-09	DRIVER SEAT HEATER STATE
PG	DM2-10	POWER GROUND: GROUND
O	DM5-03	DRIVER SEAT HEATER DRIVE
I	DM5-04	DRIVER SEAT HEATER GROUND
I	DM5-07	DRIVER SEAT HEATER TEMPERATURE SENSOR SIGNAL
SG	DM5-08	DRIVER SEAT HEATER TEMPERATURE SENSOR SIGNAL GROUND

Passenger Seat Module

	Pin	Description and Characteristic
B+	PM2-01	BATTERY POWER SUPPLY: B+
I	PM2-02	PASSENGER SEAT HEATER SWITCH SIGNAL
SG	PM2-03	SIGNAL GROUND: GROUND
B+	PM2-04	IGNITION SWITCHED POWER SUPPLY II: B+
PG	PM2-05	POWER GROUND: GROUND
B+	PM2-06	BATTERY POWER SUPPLY: B+
O	PM2-08	PASSENGER SEAT HEATED STATE
O	PM2-09	PASSENGER SEAT HEATED STATE
PG	PM2-10	POWER GROUND: GROUND
O	PM5-03	PASSENGER SEAT HEATER DRIVE
I	PM5-04	PASSENGER SEAT HEATER GROUND
I	PM5-07	PASSENGER SEAT HEATER TEMPERATURE SENSOR SIGNAL
SG	PM5-08	PASSENGER SEAT HEATER TEMPERATURE SENSOR SIGNAL GROUND

COMPONENTS

Component	Connector(s)	Connector Description	Location
SEAT BACK HEATER – DRIVER	DM11	4-WAY / GREY	DRIVER SEAT
SEAT BACK HEATER – PASSENGER	PM10	4-WAY / GREY	PASSENGER SEAT
SEAT CUSHION HEATER – DRIVER	DM11	4-WAY / GREY	DRIVER SEAT
SEAT CUSHION HEATER – PASSENGER	PM10	4-WAY / GREY	PASSENGER SEAT
SEAT HEATER SWITCH – DRIVER: LHD	IP51	6-WAY / BLACK	CENTER CONSOLE
SEAT HEATER SWITCH – DRIVER: RHD	IP56	6-WAY / BLACK	CENTER CONSOLE
SEAT HEATER SWITCH – PASSENGER: LHD	IP56	6-WAY / BLACK	CENTER CONSOLE
SEAT HEATER SWITCH – PASSENGER: RHD	IP51	6-WAY / BLACK	CENTER CONSOLE
SEAT MODULE – DRIVER	DM2	10-WAY / GREY	DRIVER SEAT SWITCH PACK
	DM3	16-WAY / BLACK	
	DM4	8-WAY / BLUE	
	DM5	8-WAY / GREEN	
SEAT MODULE – PASSENGER	PM2	10-WAY / GREY	PASSENGER SEAT SWITCH PACK
	PM4	8-WAY / BLUE	
	PM5	8-WAY / GREEN	

HARNESS IN-LINE CONNECTORS

Connector	Connector Description / Location	Location
CA65	18-WAY / BLACK / CABIN HARNESS TO DRIVER SEAT HARNESS	UNDER DRIVER SEAT
CA70	18-WAY / BLACK / CABIN HARNESS TO DRIVER SEAT HARNESS	UNDER DRIVER SEAT
CA240	12-WAY / GREY / CABIN HARNESS TO INSTRUMENT PANEL HARNESS	LH LOWER 'A' POST / 'A' POST TRIM

GROUNDS

Ground	Harness	Location
G4	CA	LOWER RH 'A' POST
G5	IP	UPPER RH 'A' POST
G15	CA	LOWER LH 'A' POST
G36	IP	BEHIND INSTRUMENT PANEL / LH SIDE OF CROSS CAR BEAM

FOR CONTROL MODULE PIN-OUT INFORMATION, UNFOLD PAGE TO LEFT.

The following abbreviations are used to represent values for Control Module Pin-Out data

I	Input	PG	Power Ground	C	CAN Network	D	Serial and Encoded Data
O	Output	SS	Sensor / Signal Supply V	S	SCP Network	V	Voltage (DC)
B+	Battery Voltage	SG	Sensor / Signal Ground	D2	D2B Network	PWM	Pulse Width Modulated

CAUTION: The information on this data page is furnished to aid the user in understanding circuit operation. THIS INFORMATION SHOULD BE USED FOR REFERENCE ONLY.

NOTE: The values listed are approximately those that can be expected at the control module connector pins with all circuit connections made and all components connected and fitted.

Refer to the front of this book for detailed information and illustrations regarding the location and identification of harnesses, relays, fuses, grounds, control modules and control module pins.

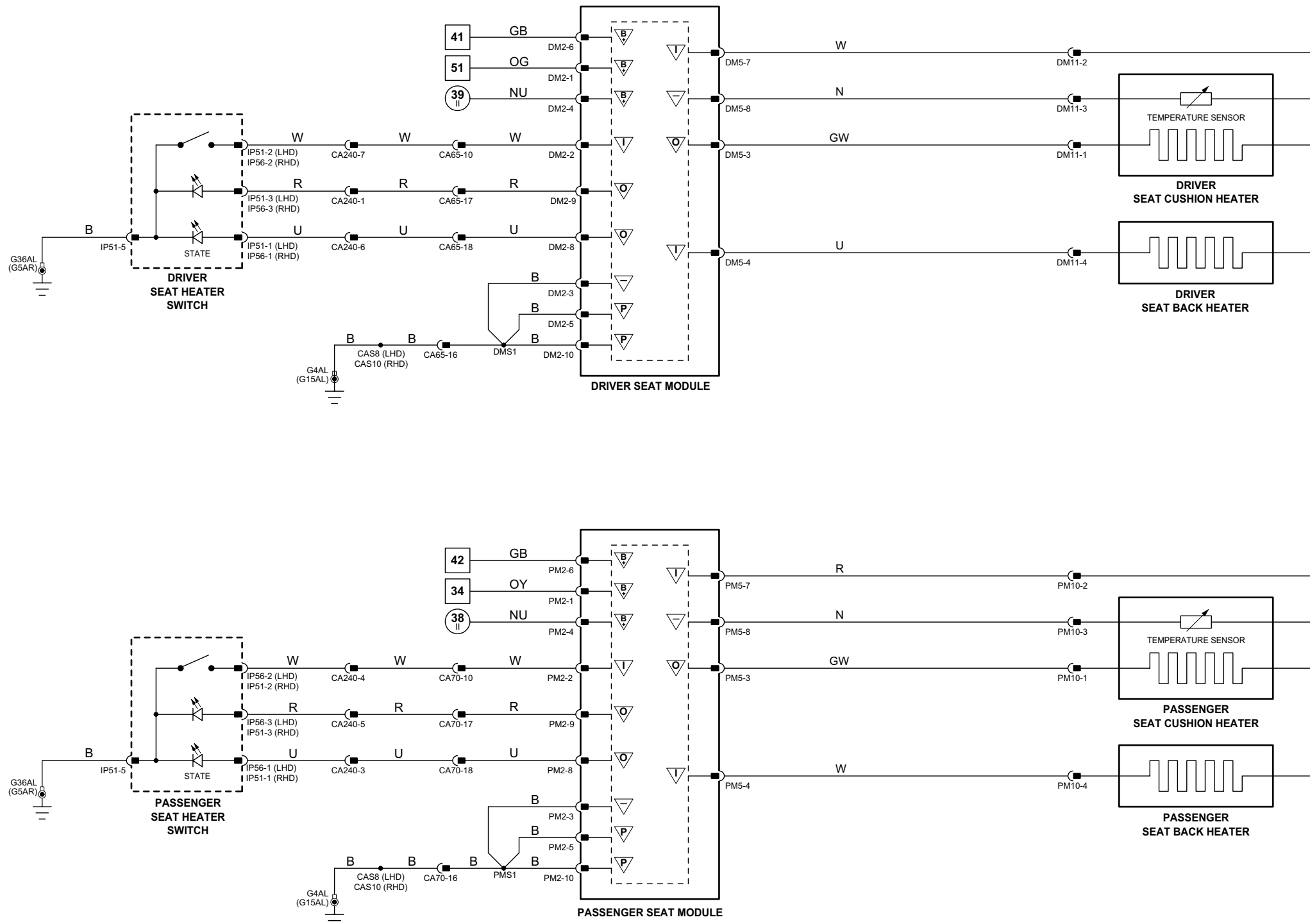


Fig. 11.7**COMPONENTS**

Component	Connector(s)	Connector Description	Location
SEAT BACK HEATER – LH	LS7	4-WAY / GREY	LH FRONT SEAT
SEAT BACK HEATER – RH	RS7	4-WAY / GREY	RH FRONT SEAT
SEAT CUSHION HEATER – LH	LS7	4-WAY / GREY	LH FRONT SEAT
SEAT CUSHION HEATER – RH	RS7	4-WAY / GREY	RH FRONT SEAT
SEAT HEATER MODULE – LH	LS13	12-WAY / GREY	BELOW LH FRONT SEAT
SEAT HEATER MODULE – RH	RS13	12-WAY / GREY	BELOW RH FRONT SEAT
SEAT HEATER SWITCH – LH: LHD	IP51	6-WAY / BLACK	CENTER CONSOLE
SEAT HEATER SWITCH – LH: RHD	IP56	6-WAY / BLACK	CENTER CONSOLE
SEAT HEATER SWITCH – RH: LHD	IP56	6-WAY / BLACK	CENTER CONSOLE
SEAT HEATER SWITCH – RH: RHD	IP51	6-WAY / BLACK	CENTER CONSOLE

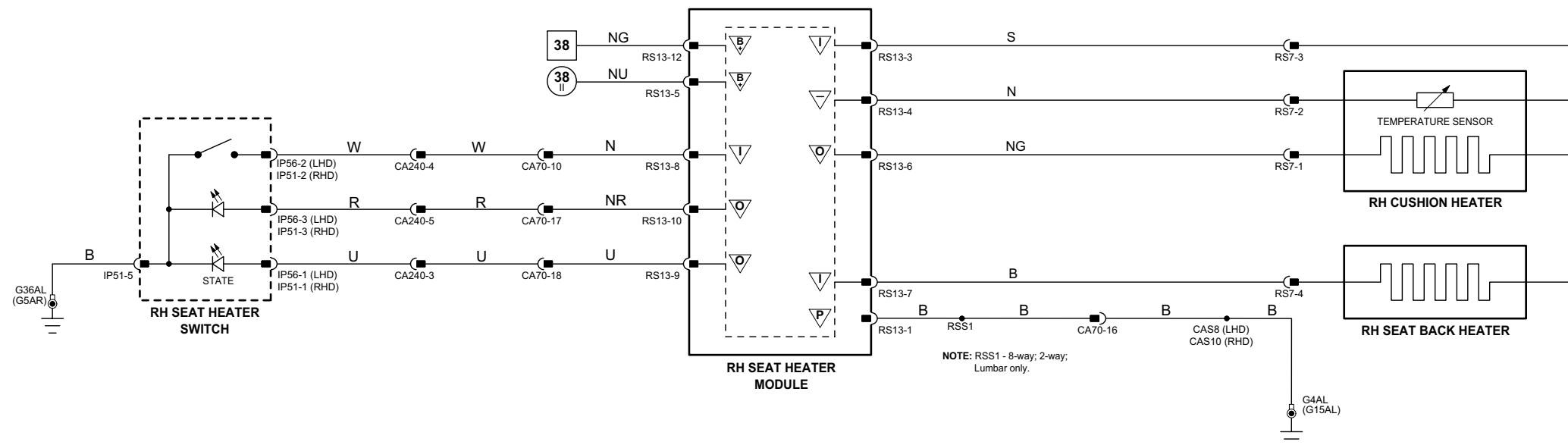
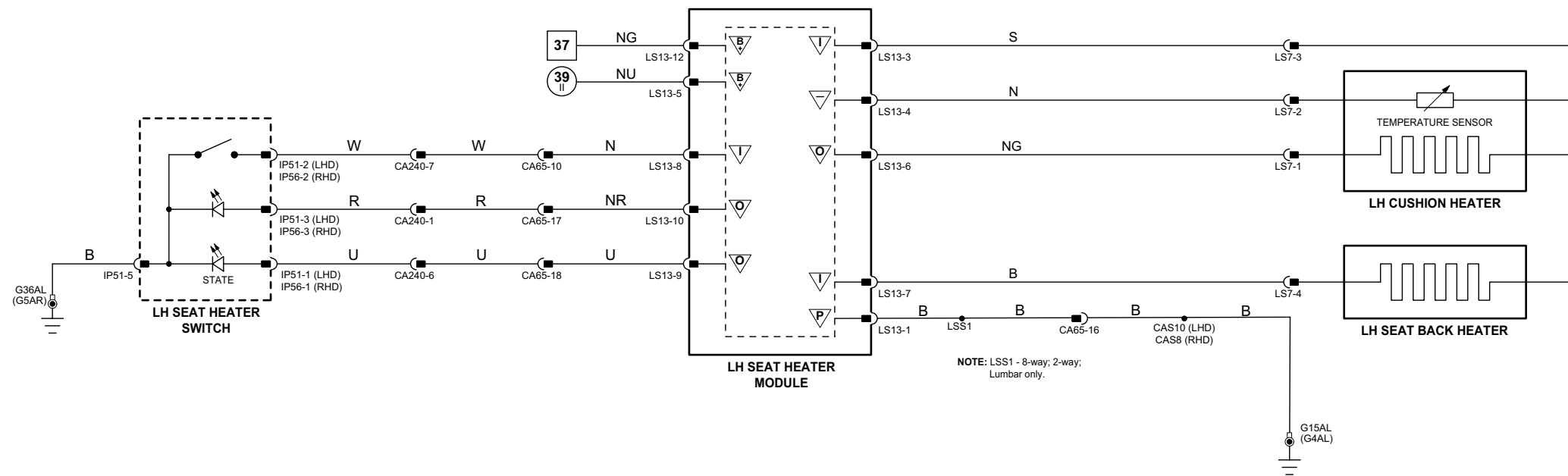
HARNES IN-LINE CONNECTORS

Connector	Connector Description / Location	Location
CA65	18-WAY / BLACK / CABIN HARNES TO DRIVER SEAT HARNES	UNDER DRIVER SEAT
CA70	18-WAY / BLACK / CABIN HARNES TO DRIVER SEAT HARNES	UNDER DRIVER SEAT
CA240	12-WAY / GREY / CABIN HARNES TO INSTRUMENT PANEL HARNES	LH LOWER 'A' POST / 'A' POST TRIM

GROUNDS

Ground	Harness	Location
G4	CA	LOWER RH 'A' POST
G5	IP	UPPER RH 'A' POST
G15	CA	LOWER LH 'A' POST
G36	IP	BEHIND INSTRUMENT PANEL / LH SIDE OF CROSS CAR BEAM

Refer to the front of this book for detailed information and illustrations regarding the location and identification of harnesses, relays, fuses, grounds, control modules and control module pins.



1 → 6 Fig. 01.1	34 → 79 Fig. 01.3	11 → 31 Fig. 01.5	67 → 76 Fig. 01.7	98 → 107 Fig. 01.9	Input	Battery Voltage	Sensor/Signal Supply V	CAN	D2B Network
7 → 33 Fig. 01.2	1 → 10 Fig. 01.4	32 → 66 Fig. 01.6	77 → 97 Fig. 01.8		Output	Power Ground	Sensor/Signal Ground	SCP	Serial and Encoded Data

VARIANT: Heated Seat Vehicles
 VIN RANGE: All
 DATE OF ISSUE: January 2007

General Electronic Module

	Pin	Description and Characteristic
O	CA86-04	CENTRAL LOCKING MOTORS DRIVE – DOUBLE LOCKING: TO ACTIVATE, GEM SWITCHES CIRCUIT TO B+
PG	CA86-05	POWER GROUND
I	CA86-14	RESET SWITCH: OPEN CIRCUIT / GROUND
I	CA86-16	SET SWITCH: OPEN CIRCUIT / GROUND
I	CA86-18	RH REAR DOOR AJAR: DOOR OPEN = OPEN CIRCUIT; DOOR CLOSED = GROUND
I	CA86-19	LOCK SWITCH: OPEN CIRCUIT / GROUND
I	CA86-22	TRUNK LID AJAR / TAIL GATE AJAR: OPEN = OPEN CIRCUIT; CLOSED = GROUND
O	CA87-02	TRUNK / TAIL GATE LOCK MOTOR DRIVE: TO ACTIVATE, GEM SWITCHES CIRCUIT TO B+
O	CA87-03	CENTRAL LOCKING MOTORS DRIVE – LOCK: TO ACTIVATE, GEM SWITCHES CIRCUIT TO B+
O	CA87-05	CENTRAL LOCKING REAR MOTORS DRIVE – UNLOCK: TO ACTIVATE, GEM SWITCHES CIRCUIT TO B+
I	CA87-15	LH REAR DOOR AJAR: DOOR OPEN = OPEN CIRCUIT; DOOR CLOSED = GROUND
O	IP5-01	PASSENGER DOORS LOCK MOTOR DRIVE – UNLOCK: TO ACTIVATE, GEM SWITCHES CIRCUIT TO B+
I	IP5-03	SEDAN (EXCEPT JAPAN AND S. KOREA): EXTERNAL ANTENNA
O	IP5-05	DRIVER DOOR LOCK MOTOR DRIVE – UNLOCK: TO ACTIVATE, GEM SWITCHES CIRCUIT TO B+
I	IP5-16	TRUNK / TAIL GATE RELEASE SWITCH: GROUND WHEN SELECTED
S	IP5-18	SCP –
S	IP5-19	SCP +
I	IP5-23	REMOTE RF SIGNAL
SG	IP6-01	LOGIC GROUND: GROUND
I	IP6-08	KEY-IN IGNITION SWITCH: B+ WHEN KEY IN
I	IP6-21	PASSENGER DOOR AJAR: DOOR OPEN = OPEN CIRCUIT; DOOR CLOSED = GROUND
I	IP6-22	DRIVER DOOR AJAR: DOOR OPEN = OPEN CIRCUIT; DOOR CLOSED = GROUND
B+	JB172-01	BATTERY POWER SUPPLY (LOCKING): B+

Instrument Cluster

	Pin	Description and Characteristic
I	IP10-13	EMERGENCY UNLOCK: B+ WHEN ACTIVATED
S	IP10-22	SCP +
S	IP10-23	SCP –
I	IP11-07	BATTERY POWER SUPPLY: B+
I	IP11-08	POWER GROUND: GROUND

Fig. 12.1

COMPONENTS

Component	Connector(s)	Connector Description	Location
DOOR LATCH – DRIVER	DD3	8-WAY / BLACK	DRIVER DOOR
	DD9	2-WAY / BLACK	
DOOR LATCH – LH REAR	BL3	8-WAY / BLACK	LH REAR DOOR
	BL6	2-WAY / BLACK	
DOOR LATCH – PASSENGER	PD3	8-WAY / BLACK	PASSENGER DOOR
	PD9	2-WAY / BLACK	
DOOR LATCH – RH REAR	BR3	8-WAY / BLACK	RH REAR DOOR
	BR6	2-WAY / BLACK	
GENERAL ELECTRONIC MODULE	CA86	23-WAY / GREY	BEHIND INSTRUMENT PANEL / RH SIDE
	CA87	23-WAY / GREEN	
	IP5	23-WAY / BROWN	
	IP6	23-WAY / NATURAL	
	JB172	23-WAY / BLUE	
IGNITION SWITCH	IP18	7-WAY / BLACK	STEERING COLUMN
INERTIA SWITCH	IP132	3-WAY / BLACK	LOWER RH 'A' POST
INSTRUMENT CLUSTER	IP10	26-WAY / WHITE	INSTRUMENT PANEL
	IP11	26-WAY / WHITE	
RF MODULE	RC35	3-WAY / BLACK	ROOF CONSOLE
TRUNK LOCK MOTOR	TM6	5-WAY / NATURAL	TRUNK LID
TRUNK RELEASE SWITCH	TM8	2-WAY / WHITE	TRUNK LID

HARNESS IN-LINE CONNECTORS

Connector	Connector Description / Location	Location
CA1	22-WAY / NATURAL / INSTRUMENT PANEL HARNESS TO CABIN HARNESS	LH 'A' POST / 'A' POST TRIM
CA15	20-WAY / BLACK / CABIN HARNESS TO DRIVER DOOR HARNESS	DRIVER DOOR / DOOR CASING
CA16	20-WAY / BLACK / CABIN HARNESS TO DRIVER DOOR HARNESS	DRIVER DOOR / DOOR CASING
CA20	20-WAY / BLACK / CABIN HARNESS TO PASSENGER DOOR HARNESS	PASSENGER DOOR / DOOR CASING
CA21	20-WAY / BLACK / CABIN HARNESS TO PASSENGER DOOR HARNESS	PASSENGER DOOR / DOOR CASING
CA25	14-WAY / NATURAL / CABIN HARNESS TO LH REAR DOOR HARNESS	LH 'B/C' POST / 'B/C' POST TRIM
CA30	14-WAY / NATURAL / CABIN HARNESS TO RH REAR DOOR HARNESS	RH 'B/C' POST / 'B/C' POST TRIM
CA40	16-WAY / GREY / CABIN HARNESS TO ROOF HARNESS	RH 'A' POST / WINDSHIELD PILLAR
CA45	6-WAY / GREY / CABIN HARNESS TO TRUNK LID HARNESS	BEHIND LH 'E' POST TRIM
CA240	12-WAY / GREY / CABIN HARNESS TO INSTRUMENT PANEL HARNESS	LH LOWER 'A' POST / 'A' POST TRIM
TL10	6-WAY / GREY / TRUNK LINK LEAD TO TRUNK LID HARNESS	BELOW PARCEL SHELF / LH SIDE

GROUNDS

Ground	Harness	Location
G1	CA	TRUNK / UNDER LH TAIL LAMP UNIT
G4	CA	LOWER RH 'A' POST
G5	IP	UPPER RH 'A' POST
G15	CA	LOWER LH 'A' POST
G36	IP	BEHIND INSTRUMENT PANEL / LH SIDE OF CROSS CAR BEAM
G37	IP	BEHIND INSTRUMENT PANEL / RH SIDE OF CROSS CAR BEAM

FOR CONTROL MODULE PIN-OUT INFORMATION, UNFOLD PAGE TO LEFT.

The following abbreviations are used to represent values for Control Module Pin-Out data

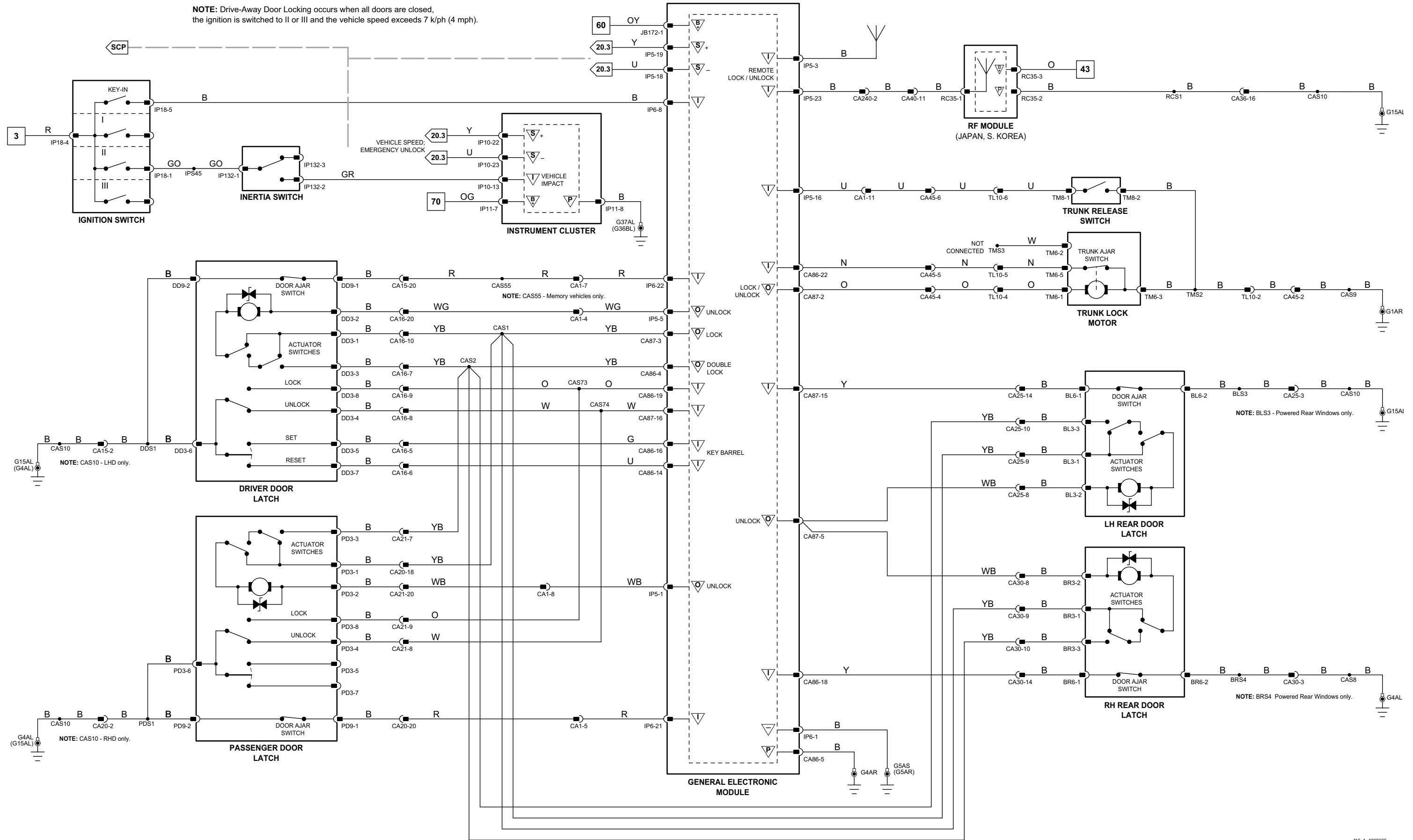
I	Input	PG	Power Ground	C	CAN Network	D	Serial and Encoded Data
O	Output	SS	Sensor / Signal Supply V	S	SCP Network	V	Voltage (DC)
B+	Battery Voltage	SG	Sensor / Signal Ground	D2	D2B Network	PWM	Pulse Width Modulated

CAUTION: The information on this data page is furnished to aid the user in understanding circuit operation. THIS INFORMATION SHOULD BE USED FOR REFERENCE ONLY.

NOTE: The values listed are approximately those that can be expected at the control module connector pins with all circuit connections made and all components connected and fitted.

Refer to the front of this book for detailed information and illustrations regarding the location and identification of harnesses, relays, fuses, grounds, control modules and control module pins.

NOTE: Drive-Away Door Locking occurs when all doors are closed, the ignition is switched to II or III and the vehicle speed exceeds 7 k/ph (4 mph).



1 → 6 Fig. 01.1	34 → 79 Fig. 01.3	11 → 31 Fig. 01.5	67 → 76 Fig. 01.7	98 → 107 Fig. 01.9	Input	Battery Voltage	Sensor/Signal Supply V	CAN	D2B Network
7 → 33 Fig. 01.2	1 → 10 Fig. 01.4	32 → 66 Fig. 01.6	77 → 97 Fig. 01.8		Output	Power Ground	Sensor/Signal Ground	SCP	Serial and Encoded Data

VARIANT: Double Locking Sedan Vehicles
 VIN RANGE: All
 DATE OF ISSUE: January 2007

General Electronic Module

	Pin	Description and Characteristic
PG	CA86-05	POWER GROUND
I	CA86-14	RESET SWITCH: OPEN CIRCUIT / GROUND
I	CA86-16	SET SWITCH: OPEN CIRCUIT / GROUND
I	CA86-18	RH REAR DOOR AJAR: DOOR OPEN = OPEN CIRCUIT; DOOR CLOSED = GROUND
I	CA86-19	LOCK SWITCH: OPEN CIRCUIT / GROUND
I	CA86-22	TRUNK LID AJAR / TAIL GATE AJAR: OPEN = OPEN CIRCUIT; CLOSED = GROUND
O	CA87-02	TRUNK / TAIL GATE LOCK MOTOR DRIVE: TO ACTIVATE, GEM SWITCHES CIRCUIT TO B+
O	CA87-03	CENTRAL LOCKING MOTORS DRIVE - LOCK: TO ACTIVATE, GEM SWITCHES CIRCUIT TO B+
O	CA87-05	CENTRAL LOCKING REAR MOTORS DRIVE - UNLOCK: TO ACTIVATE, GEM SWITCHES CIRCUIT TO B+
I	CA87-15	LH REAR DOOR AJAR: DOOR OPEN = OPEN CIRCUIT; DOOR CLOSED = GROUND
O	IP5-01	PASSENGER DOORS LOCK MOTOR DRIVE - UNLOCK: TO ACTIVATE, GEM SWITCHES CIRCUIT TO B+
I	IP5-03	SEDAN (EXCEPT JAPAN AND S. KOREA): EXTERNAL ANTENNA
O	IP5-05	DRIVER DOOR LOCK MOTOR DRIVE - UNLOCK: TO ACTIVATE, GEM SWITCHES CIRCUIT TO B+
I	IP5-16	TRUNK / TAIL GATE RELEASE SWITCH: GROUND WHEN SELECTED
S	IP5-18	SCP -
S	IP5-19	SCP +
I	IP5-23	REMOTE RF SIGNAL
SG	IP6-01	LOGIC GROUND: GROUND
I	IP6-08	KEY-IN IGNITION SWITCH: B+ WHEN KEY IN
I	IP6-21	PASSENGER DOOR AJAR: DOOR OPEN = OPEN CIRCUIT; DOOR CLOSED = GROUND
I	IP6-22	DRIVER DOOR AJAR: DOOR OPEN = OPEN CIRCUIT; DOOR CLOSED = GROUND
B+	JB172-01	BATTERY POWER SUPPLY (LOCKING): B+

Instrument Cluster

	Pin	Description and Characteristic
I	IP10-13	EMERGENCY UNLOCK: B+ WHEN ACTIVATED
S	IP10-22	SCP +
S	IP10-23	SCP -
I	IP11-07	BATTERY POWER SUPPLY: B+
I	IP11-08	POWER GROUND: GROUND

Fig. 12.2

COMPONENTS

Component	Connector(s)	Connector Description	Location
DOOR LATCH - DRIVER	DD3	8-WAY / BLACK	DRIVER DOOR
	DD9	2-WAY / BLACK	
DOOR LATCH - LH REAR	BL3	8-WAY / BLACK	LH REAR DOOR
	BL6	2-WAY / BLACK	
DOOR LATCH - PASSENGER	PD3	8-WAY / BLACK	PASSENGER DOOR
	PD9	2-WAY / BLACK	
DOOR LATCH - RH REAR	BR3	8-WAY / BLACK	RH REAR DOOR
	BR6	2-WAY / BLACK	
GENERAL ELECTRONIC MODULE	CA86	23-WAY / GREY	BEHIND INSTRUMENT PANEL / RH SIDE
	CA87	23-WAY / GREEN	
	IP5	23-WAY / BROWN	
	IP6	23-WAY / NATURAL	
	JB172	23-WAY / BLUE	
IGNITION SWITCH	IP18	7-WAY / BLACK	STEERING COLUMN
INERTIA SWITCH	IP132	3-WAY / BLACK	LOWER RH 'A' POST
INSTRUMENT CLUSTER	IP10	26-WAY / WHITE	INSTRUMENT PANEL
	IP11	26-WAY / WHITE	
RF MODULE	RC35	3-WAY / BLACK	ROOF CONSOLE
TRUNK LOCK MOTOR	TM6	5-WAY / NATURAL	TRUNK LID
TRUNK RELEASE SWITCH	TM8	2-WAY / WHITE	TRUNK LID

HARNESS IN-LINE CONNECTORS

Connector	Connector Description / Location	Location
CA1	22-WAY / NATURAL / INSTRUMENT PANEL HARNESS TO CABIN HARNESS	LH 'A' POST / 'A' POST TRIM
CA15	20-WAY / BLACK / CABIN HARNESS TO DRIVER DOOR HARNESS	DRIVER DOOR / DOOR CASING
CA16	20-WAY / BLACK / CABIN HARNESS TO DRIVER DOOR HARNESS	DRIVER DOOR / DOOR CASING
CA20	20-WAY / BLACK / CABIN HARNESS TO PASSENGER DOOR HARNESS	PASSENGER DOOR / DOOR CASING
CA21	20-WAY / BLACK / CABIN HARNESS TO PASSENGER DOOR HARNESS	PASSENGER DOOR / DOOR CASING
CA25	14-WAY / NATURAL / CABIN HARNESS TO LH REAR DOOR HARNESS	LH 'B/C' POST / 'B/C' POST TRIM
CA30	14-WAY / NATURAL / CABIN HARNESS TO RH REAR DOOR HARNESS	RH 'B/C' POST / 'B/C' POST TRIM
CA40	16-WAY / GREY / CABIN HARNESS TO ROOF HARNESS	RH 'A' POST / WINDSHIELD PILLAR
CA45	6-WAY / GREY / CABIN HARNESS TO TRUNK LID HARNESS	BEHIND LH 'E' POST TRIM
CA240	12-WAY / GREY / CABIN HARNESS TO INSTRUMENT PANEL HARNESS	LH LOWER 'A' POST / 'A' POST TRIM
TL10	6-WAY / GREY / TRUNK LINK LEAD TO TRUNK LID HARNESS	BELOW PARCEL SHELF / LH SIDE

GROUNDS

Ground	Harness	Location
G1	CA	TRUNK / UNDER LH TAIL LAMP UNIT
G4	CA	LOWER RH 'A' POST
G5	IP	UPPER RH 'A' POST
G15	CA	LOWER LH 'A' POST
G36	IP	BEHIND INSTRUMENT PANEL / LH SIDE OF CROSS CAR BEAM
G37	IP	BEHIND INSTRUMENT PANEL / RH SIDE OF CROSS CAR BEAM

FOR CONTROL MODULE PIN-OUT INFORMATION, UNFOLD PAGE TO LEFT.

The following abbreviations are used to represent values for Control Module Pin-Out data

I	Input	PG	Power Ground	C	CAN Network	D	Serial and Encoded Data
O	Output	SS	Sensor / Signal Supply V	S	SCP Network	V	Voltage (DC)
B+	Battery Voltage	SG	Sensor / Signal Ground	D2	D2B Network	PWM	Pulse Width Modulated

CAUTION: The information on this data page is furnished to aid the user in understanding circuit operation. THIS INFORMATION SHOULD BE USED FOR REFERENCE ONLY.

NOTE: The values listed are approximately those that can be expected at the control module connector pins with all circuit connections made and all components connected and fitted.

Refer to the front of this book for detailed information and illustrations regarding the location and identification of harnesses, relays, fuses, grounds, control modules and control module pins.

General Electronic Module

	Pin	Description and Characteristic
O	CA86-04	CENTRAL LOCKING MOTORS DRIVE – DOUBLE LOCKING: TO ACTIVATE, GEM SWITCHES CIRCUIT TO B+
PG	CA86-05	POWER GROUND
I	CA86-14	RESET SWITCH: OPEN CIRCUIT / GROUND
I	CA86-15	TAIL GLASS RELEASE SWITCH: GROUND WHEN ACTIVATED
I	CA86-16	SET SWITCH: OPEN CIRCUIT / GROUND
I	CA86-18	RH REAR DOOR AJAR: DOOR OPEN = OPEN CIRCUIT; DOOR CLOSED = GROUND
I	CA86-19	LOCK SWITCH: OPEN CIRCUIT / GROUND
I	CA86-22	TRUNK LID AJAR / TAIL GATE AJAR: OPEN = OPEN CIRCUIT; CLOSED = GROUND
O	CA87-02	TRUNK / TAIL GATE LOCK MOTOR DRIVE: TO ACTIVATE, GEM SWITCHES CIRCUIT TO B+
O	CA87-03	CENTRAL LOCKING MOTORS DRIVE – LOCK: TO ACTIVATE, GEM SWITCHES CIRCUIT TO B+
O	CA87-05	CENTRAL LOCKING REAR MOTORS DRIVE – UNLOCK: TO ACTIVATE, GEM SWITCHES CIRCUIT TO B+
I	CA87-15	LH REAR DOOR AJAR: DOOR OPEN = OPEN CIRCUIT; DOOR CLOSED = GROUND
O	IP5-01	PASSENGER DOORS LOCK MOTOR DRIVE – UNLOCK: TO ACTIVATE, GEM SWITCHES CIRCUIT TO B+
O	IP5-05	DRIVER DOOR LOCK MOTOR DRIVE – UNLOCK: TO ACTIVATE, GEM SWITCHES CIRCUIT TO B+
I	IP5-16	TRUNK / TAIL GATE RELEASE SWITCH: GROUND WHEN SELECTED
S	IP5-18	SCP –
S	IP5-19	SCP +
I	IP5-23	REMOTE RF SIGNAL
SG	IP6-01	LOGIC GROUND: GROUND
I	IP6-08	KEY-IN IGNITION SWITCH: B+ WHEN KEY IN
I	IP6-21	PASSENGER DOOR AJAR: DOOR OPEN = OPEN CIRCUIT; DOOR CLOSED = GROUND
I	IP6-22	DRIVER DOOR AJAR: DOOR OPEN = OPEN CIRCUIT; DOOR CLOSED = GROUND
B+	JB172-01	BATTERY POWER SUPPLY (LOCKING): B+

Instrument Cluster

	Pin	Description and Characteristic
I	IP10-13	EMERGENCY UNLOCK: B+ WHEN ACTIVATED
S	IP10-22	SCP +
S	IP10-23	SCP –
I	IP11-07	BATTERY POWER SUPPLY: B+
I	IP11-08	POWER GROUND: GROUND

Fig. 12.3

COMPONENTS

Component	Connector(s)	Connector Description	Location
DOOR LATCH – DRIVER	DD3	8-WAY / BLACK	DRIVER DOOR
	DD9	2-WAY / BLACK	
DOOR LATCH – LH REAR	BL3	8-WAY / BLACK	LH REAR DOOR
	BL6	2-WAY / BLACK	
DOOR LATCH – PASSENGER	PD3	8-WAY / BLACK	PASSENGER DOOR
	PD9	2-WAY / BLACK	
DOOR LATCH – RH REAR	BR3	8-WAY / BLACK	RH REAR DOOR
	BR6	2-WAY / BLACK	
GENERAL ELECTRONIC MODULE	CA86	23-WAY / GREY	BEHIND INSTRUMENT PANEL / RH SIDE
	CA87	23-WAY / GREEN	
	IP5	23-WAY / BROWN	
	IP6	23-WAY / NATURAL	
	JB172	23-WAY / BLUE	
IGNITION SWITCH	IP18	7-WAY / BLACK	STEERING COLUMN
INERTIA SWITCH	IP132	3-WAY / BLACK	LOWER RH 'A' POST
INSTRUMENT CLUSTER	IP10	26-WAY / WHITE	INSTRUMENT PANEL
	IP11	26-WAY / WHITE	
RF MODULE	RC35	3-WAY / BLACK	ROOF CONSOLE
TAIL GATE LATCH	WT6	6-WAY / BLACK	TAIL GATE
TAIL GATE RELEASE SWITCH	WT4	2-WAY / WHITE	TAIL GATE
TAIL GLASS LATCH	WT7	4-WAY / BLACK	TAIL GATE
TAIL GLASS RELEASE SWITCH	WG2	2-WAY / BLACK	TAIL GATE

HARNESS IN-LINE CONNECTORS

Connector	Connector Description / Location	Location
CA1	22-WAY / NATURAL / INSTRUMENT PANEL HARNESS TO CABIN HARNESS	LH 'A' POST / 'A' POST TRIM
CA15	20-WAY / BLACK / CABIN HARNESS TO DRIVER DOOR HARNESS	DRIVER DOOR / DOOR CASING
CA16	20-WAY / BLACK / CABIN HARNESS TO DRIVER DOOR HARNESS	DRIVER DOOR / DOOR CASING
CA20	20-WAY / BLACK / CABIN HARNESS TO PASSENGER DOOR HARNESS	PASSENGER DOOR / DOOR CASING
CA21	20-WAY / BLACK / CABIN HARNESS TO PASSENGER DOOR HARNESS	PASSENGER DOOR / DOOR CASING
CA25	14-WAY / NATURAL / CABIN HARNESS TO LH REAR DOOR HARNESS	LH 'B/C' POST / 'B/C' POST TRIM
CA30	14-WAY / NATURAL / CABIN HARNESS TO RH REAR DOOR HARNESS	RH 'B/C' POST / 'B/C' POST TRIM
CA40	16-WAY / GREY / CABIN HARNESS TO ROOF HARNESS	RH 'A' POST / WINDSHIELD PILLAR
CA169	4-WAY / GREY / CABIN HARNESS TO INSTRUMENT PANEL HARNESS	LH LOWER A POST / A POST TRIM
CA170	16-WAY / GREEN / JUNCTION BOX HARNESS TO CABIN HARNESS	LH 'A' POST / 'A' POST TRIM
CA240	12-WAY / GREY / CABIN HARNESS TO INSTRUMENT PANEL HARNESS	LH LOWER 'A' POST / 'A' POST TRIM
JB3	14-WAY / BLUE / JUNCTION BOX HARNESS TO INSTRUMENT PANEL HARNESS	BELOW INSTRUMENT PANEL / LH SIDE
WG1	4-WAY / BLACK / CABIN HARNESS TO TAIL GATE GLASS HARNESS	ROOF / CENTER REAR
WL1	8-WAY / BLACK / CABIN HARNESS TO TAIL GATE LINK LEAD	ROOF / CENTER REAR
WL3	3-WAY / BLACK / CABIN HARNESS TO TAIL GATE LINK LEAD	ROOF / CENTER REAR
WT1	8-WAY / BLACK / CABIN HARNESS TO TAIL GATE HARNESS	TAIL GATE
WT3	3-WAY / BLACK / CABIN HARNESS TO TAIL GATE HARNESS	TAIL GATE

GROUNDINGS

Ground	Harness	Location
G1	CA	TRUNK / UNDER LH TAIL LAMP UNIT
G4	CA	LOWER RH 'A' POST
G5	IP	UPPER RH 'A' POST
G15	CA	LOWER LH 'A' POST
G36	IP	BEHIND INSTRUMENT PANEL / LH SIDE OF CROSS CAR BEAM
G37	IP	BEHIND INSTRUMENT PANEL / RH SIDE OF CROSS CAR BEAM
G50	CA	HEADLINER / RH REAR ROOF PANEL

FOR CONTROL MODULE PIN-OUT INFORMATION, UNFOLD PAGE TO LEFT.

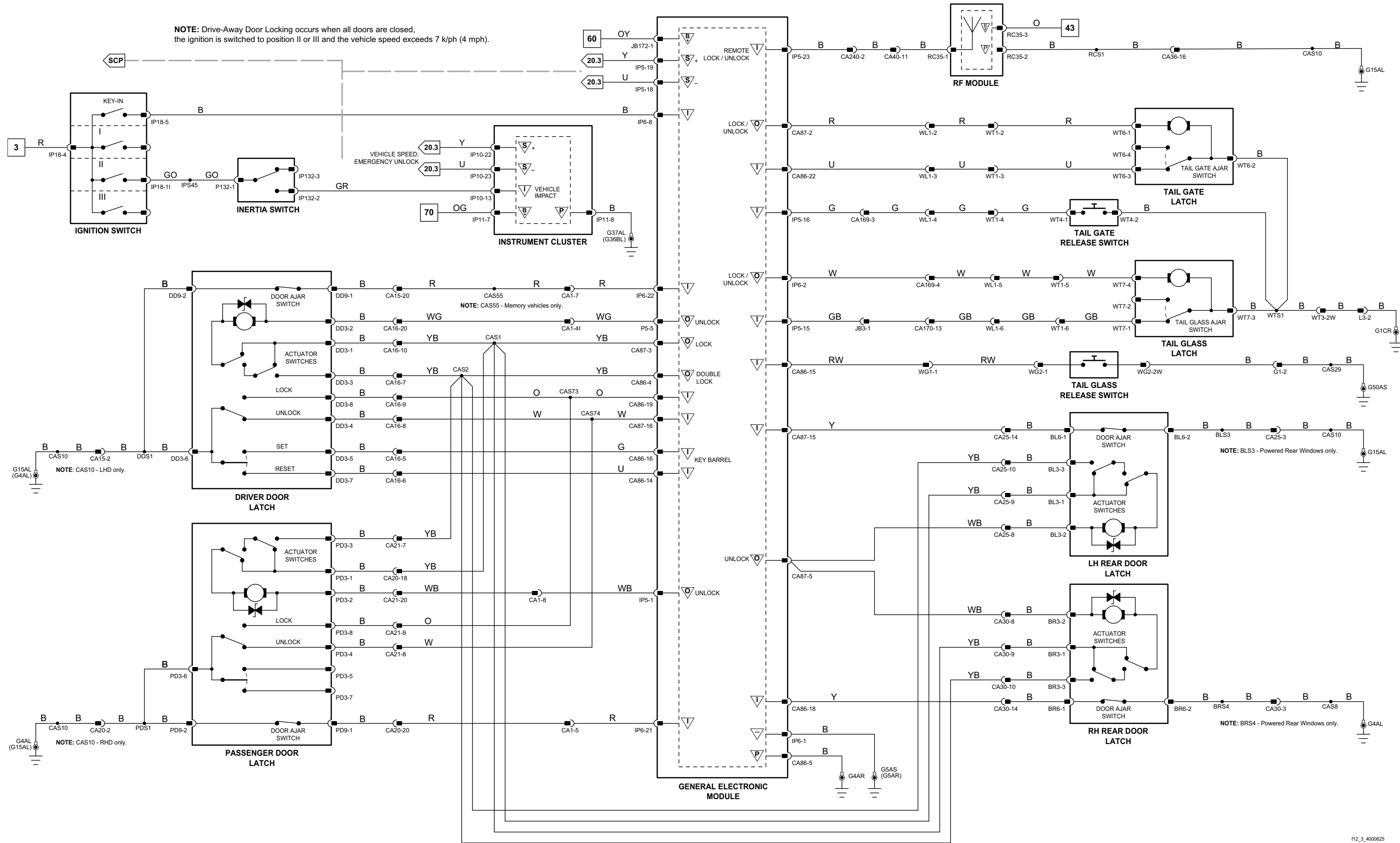
The following abbreviations are used to represent values for Control Module Pin-Out data

I	Input	PG	Power Ground	C	CAN Network	D	Serial and Encoded Data
O	Output	SS	Sensor / Signal Supply V	S	SCP Network	V	Voltage (DC)
B+	Battery Voltage	SG	Sensor / Signal Ground	D2	D2B Network	PWM	Pulse Width Modulated

CAUTION: The information on this data page is furnished to aid the user in understanding circuit operation. THIS INFORMATION SHOULD BE USED FOR REFERENCE ONLY.

NOTE: The values listed are approximately those that can be expected at the control module connector pins with all circuit connections made and all components connected and fitted.

Refer to the front of this book for detailed information and illustrations regarding the location and identification of harnesses, relays, fuses, grounds, control modules and control module pins.



112_3_4000625

1 → 6 Fig. 01.1	34 → 79 Fig. 01.3	11 → 31 Fig. 01.5	67 → 76 Fig. 01.7	98 → 107 Fig. 01.9	Input	Battery Voltage	Sensor/Signal Supply V	CAN	D2B Network
7 → 33 Fig. 01.2	1 → 10 Fig. 01.4	32 → 66 Fig. 01.6	77 → 97 Fig. 01.8		Output	Power Ground	Sensor/Signal Ground	SCP	Serial and Encoded Data

VARIANT: Estate (Wagon) Vehicles
VIN RANGE: All
DATE OF ISSUE: January 2007

Engine Control Module – 2.0 L

	Pin	Description and Characteristic
C	EN65-088	CAN -
C	EN65-089	CAN +

Engine Control Module – Diesel

	Pin	Description and Characteristic
C	DL1-054	CAN +
C	DL1-073	CAN -

Engine Control Module – 2.5 L, 3.0 L

	Pin	Description and Characteristic
C	EN16-123	CAN -
C	EN16-124	CAN +

General Electronic Module

	Pin	Description and Characteristic
PG	CA86-05	POWER GROUND
I	CA86-17	INCLINATION SENSOR SENSE: ALARM TRIGGERED = GROUND; ALARM NOT TRIGGERED = B+
I	CA86-18	RH REAR DOOR AJAR: DOOR OPEN = OPEN CIRCUIT; DOOR CLOSED = GROUND
O	CA86-20	INCLINATION AND INTRUSION SENSORS POWER SUPPLY: B+
I	CA86-22	TRUNK LID AJAR / TAIL GATE AJAR: OPEN = OPEN CIRCUIT; CLOSED = GROUND
I	CA86-23	INTRUSION SENSOR SENSE: ALARM TRIGGERED = GROUND; ALARM NOT TRIGGERED = B+
O	CA87-01	PASSIVE SECURITY SOUNDER DRIVE: TO ACTIVATE, GEM SWITCHES CIRCUIT TO B+
I	CA87-15	LH REAR DOOR AJAR: DOOR OPEN = OPEN CIRCUIT; DOOR CLOSED = GROUND
I	IP5-03	SEDAN (EXCEPT JAPAN AND S. KOREA): EXTERNAL ANTENNA
O	IP5-14	HORN RELAY DRIVE : TO ACTIVATE, GEM SWITCHES CIRCUIT TO GROUND
S	IP5-18	SCP -
S	IP5-19	SCP +
I	IP5-23	REMOTE RF SIGNAL
SG	IP6-01	LOGIC GROUND: GROUND
I	IP6-08	KEY-IN IGNITION SWITCH: B+ WHEN KEY IN
I	IP6-10	AUDIO UNIT PRESENCE SENSE: GROUND WHEN RADIO INSTALLED
I	IP6-21	PASSENGER DOOR AJAR: DOOR OPEN = OPEN CIRCUIT; DOOR CLOSED = GROUND
I	IP6-22	DRIVER DOOR AJAR: DOOR OPEN = OPEN CIRCUIT; DOOR CLOSED = GROUND
B+	JB172-01	BATTERY POWER SUPPLY (LOCKING): B+
O	JB172-03	RH FRONT TURN SIGNAL: TO ACTIVATE, GEM SWITCHES CIRCUIT TO B+
O	JB172-04	LH FRONT TURN SIGNAL: TO ACTIVATE, GEM SWITCHES CIRCUIT TO B+
B+	JB172-05	BATTERY POWER SUPPLY (TURN SIGNALS): B+
D	JB172-18	ACTIVE SECURITY SOUNDER DRIVE: ENCODED COMMUNICATIONS
I	JB172-21	HOOD AJAR: HOOD OPEN = OPEN CIRCUIT; HOOD CLOSED = GROUND

Instrument Cluster

	Pin	Description and Characteristic
O	IP10-02	SECURITY INDICATOR DRIVE: TO ACTIVATE, IC SWITCHES CIRCUIT TO B+
D	IP10-03	PATS 1: ENCODED COMMUNICATION
D	IP10-04	PATS 2: ENCODED COMMUNICATION
I	IP10-05	PATS GROUND: GROUND
O	IP10-06	PATS TRANSCEIVER POWER: B+
C	IP10-17	CAN +
C	IP10-18	CAN -
S	IP10-22	SCP +
S	IP10-23	SCP -
I	IP11-08	POWER GROUND: GROUND
I	IP11-13	IGNITION SWITCHED POWER SUPPLY (I): B+

The following abbreviations are used to represent values for Control Module Pin-Out data

I	Input	PG	Power Ground	C	CAN Network	D	Serial and Encoded Data
O	Output	SS	Sensor / Signal Supply V	S	SCP Network	V	Voltage (DC)
B+	Battery Voltage	SG	Sensor / Signal Ground	D2	D2B Network	PWM	Pulse Width Modulated

CAUTION: The information on this data page is furnished to aid the user in understanding circuit operation. THIS INFORMATION SHOULD BE USED FOR REFERENCE ONLY.

NOTE: The values listed are approximately those that can be expected at the control module connector pins with all circuit connections made and all components connected and fitted.

Fig. 12.4

COMPONENTS

Component	Connector(s)	Connector Description	Location
AUDIO UNIT	ID1	2-WAY / D2B	INSTRUMENT PANEL CENTER
	IP65	20-WAY / BLACK	
	IP106	2-WAY / METALLIC	
DOOR LATCH – DRIVER	DD3	8-WAY / BLACK	DRIVER DOOR
	DD9	2-WAY / BLACK	
DOOR LATCH – LH REAR	BL3	8-WAY / BLACK	LH REAR DOOR
	BL6	2-WAY / BLACK	
DOOR LATCH – PASSENGER	PD3	8-WAY / BLACK	PASSENGER DOOR
	PD9	2-WAY / BLACK	
DOOR LATCH – RH REAR	BR3	8-WAY / BLACK	RH REAR DOOR
	BR6	2-WAY / BLACK	
ENGINE CONTROL MODULE – 2.0 L	EN65	104-WAY / BLACK	ENGINE COMPARTMENT, FRONT BULKHEAD / RH SIDE
ENGINE CONTROL MODULE – Diesel	DL1	121-WAY / BLACK	ENGINE COMPARTMENT, FRONT BULKHEAD / RH SIDE
ENGINE CONTROL MODULE – 2.5 L, 3.0 L	EN16	134-WAY / BLACK	ENGINE COMPARTMENT, FRONT BULKHEAD / RH SIDE
GENERAL ELECTRONIC MODULE	CA86	23-WAY / GREY	BEHIND INSTRUMENT PANEL / RH SIDE
	CA87	23-WAY / GREEN	
	IP5	23-WAY / BROWN	
	IP6	23-WAY / NATURAL	
	JB172	23-WAY / BLUE	
	JB81	2-WAY / BLACK	
HOOD SECURITY SWITCH	IP18	7-WAY / BLACK	ADJACENT TO RH FRONT SUSPENSION TURRET
IGNITION SWITCH	CA190	6-WAY / BLACK	STEERING COLUMN
INCLINATION SENSOR	IP10	26-WAY / WHITE	TRUNK, LH REAR
INSTRUMENT CLUSTER	IP11	26-WAY / WHITE	INSTRUMENT PANEL
	IP15	4-WAY / BLACK	
PASSIVE ANTI-THEFT SYSTEM TRANSCEIVER	RC35	3-WAY / BLACK	STEERING COLUMN, IGNITION SWITCH
RF MODULE	RC23	20-WAY / WHITE	ROOF CONSOLE
ROOF CONSOLE – PRINTED CIRCUIT BOARD	RC30	4-WAY / BLACK	ROOF CENTER FRONT
ROOF CONSOLE – WITHOUT PRINTED CIRCUIT BOARD	RC31	2-WAY / BLACK	ROOF CENTER FRONT
	RC33	4-WAY / BLACK	
	RC34	6-WAY / BLACK	
SECURITY INDICATOR	IP29	6-WAY / BLACK	CENTER CONSOLE
SECURITY SOUNDER – ACTIVE	SL3	3-WAY / BLACK	BEHIND FRONT LH WHEEL ARCH LINER
SECURITY SOUNDER – PASSIVE	SL1	1-WAY / ORANGE	LH FRONT OF VEHICLE
	SL2	1-WAY / ORANGE	
TRUNK LOCK MOTOR	TM6	5-WAY / NATURAL	TRUNK LID

HARNES IN-LINE CONNECTORS

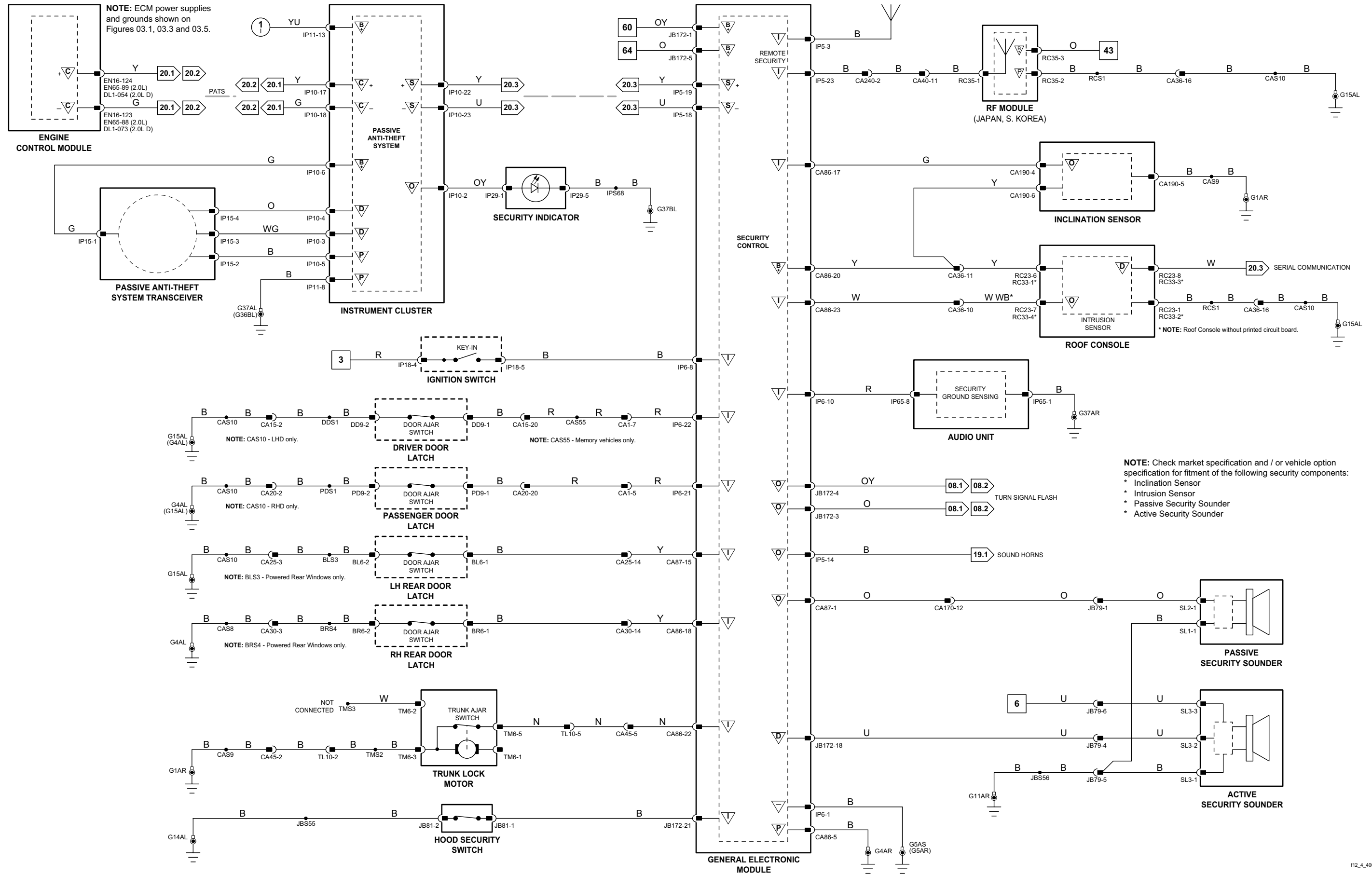
Connector	Connector Description / Location	Location
CA1	22-WAY / NATURAL / INSTRUMENT PANEL HARNESS TO CABIN HARNESS	LH 'A' POST / 'A' POST TRIM
CA15	20-WAY / BLACK / CABIN HARNESS TO DRIVER DOOR HARNESS	DRIVER DOOR / DOOR CASING
CA20	20-WAY / BLACK / CABIN HARNESS TO PASSENGER DOOR HARNESS	PASSENGER DOOR / DOOR CASING
CA25	14-WAY / NATURAL / CABIN HARNESS TO LH REAR DOOR HARNESS	LH 'B/C' POST / 'B/C' POST TRIM
CA30	14-WAY / NATURAL / CABIN HARNESS TO RH REAR DOOR HARNESS	RH 'B/C' POST / 'B/C' POST TRIM
CA36	16-WAY / GREEN / CABIN HARNESS TO ROOF HARNESS	LH 'A' POST / WINDSHIELD PILLAR
CA40	16-WAY / GREY / CABIN HARNESS TO ROOF HARNESS	RH 'A' POST / WINDSHIELD PILLAR
CA45	6-WAY / GREY / CABIN HARNESS TO TRUNK LID HARNESS	BEHIND LH 'E' POST TRIM
CA170	16-WAY / GREEN / JUNCTION BOX HARNESS TO CABIN HARNESS	LH 'A' POST / 'A' POST TRIM
CA240	12-WAY / GREY / CABIN HARNESS TO INSTRUMENT PANEL HARNESS	LH LOWER 'A' POST / 'A' POST TRIM
JB79	6-WAY / BLACK / JUNCTION BOX HARNESS TO SECURITY SOUNDER LINK LEAD	BEHIND LH FRONT WHEEL ARCH LINER
TL10	6-WAY / GREY / TRUNK LINK LEAD TO TRUNK LID HARNESS	BELOW PARCEL SHELF / LH SIDE

GROUNDS

Ground	Harness	Location
G1	CA	TRUNK / UNDER LH TAIL LAMP UNIT
G4	CA	LOWER RH 'A' POST
G5	IP	UPPER RH 'A' POST
G14	JB	ENGINE COMPARTMENT / BEHIND POWER DISTRIBUTION FUSEBOX
G15	CA	LOWER LH 'A' POST
G36	IP	BEHIND INSTRUMENT PANEL / LH SIDE OF CROSS CAR BEAM
G37	IP	BEHIND INSTRUMENT PANEL / RH SIDE OF CROSS CAR BEAM

FOR CONTROL MODULE PIN-OUT INFORMATION, UNFOLD PAGE TO LEFT.

Refer to the front of this book for detailed information and illustrations regarding the location and identification of harnesses, relays, fuses, grounds, control modules and control module pins.



NOTE: Check market specification and / or vehicle option specification for fitment of the following security components:
 * Inclinometer
 * Intrusion Sensor
 * Passive Security Sounder
 * Active Security Sounder

1 → 6 Fig. 01.1	34 → 79 Fig. 01.3	11 → 31 Fig. 01.5	67 → 76 Fig. 01.7	98 → 107 Fig. 01.9	Input	Battery Voltage	Sensor/Signal Supply V	CAN	D2B Network
7 → 33 Fig. 01.2	1 → 10 Fig. 01.4	32 → 66 Fig. 01.6	77 → 97 Fig. 01.8		Output	Power Ground	Sensor/Signal Ground	SCP	Serial and Encoded Data

VARIANT: Sedan Vehicles
VIN RANGE: All
DATE OF ISSUE: January 2007

Engine Control Module – 2.0 L

	Pin	Description and Characteristic
C	EN65-088	CAN -
C	EN65-089	CAN +

Engine Control Module – Diesel

	Pin	Description and Characteristic
C	DL1-054	CAN +
C	DL1-073	CAN -

Engine Control Module – 2.5 L, 3.0 L

	Pin	Description and Characteristic
C	EN16-123	CAN -
C	EN16-124	CAN +

General Electronic Module

	Pin	Description and Characteristic
PG	CA86-05	POWER GROUND
I	CA86-17	INCLINATION SENSOR SENSE: ALARM TRIGGERED = GROUND; ALARM NOT TRIGGERED = B+
I	CA86-18	RH REAR DOOR AJAR: DOOR OPEN = OPEN CIRCUIT; DOOR CLOSED = GROUND
O	CA86-20	INCLINATION AND INTRUSION SENSORS POWER SUPPLY: B+
I	CA86-22	TRUNK LID AJAR / TAIL GATE AJAR: OPEN = OPEN CIRCUIT; CLOSED = GROUND
I	CA86-23	INTRUSION SENSOR SENSE: ALARM TRIGGERED = GROUND; ALARM NOT TRIGGERED = B+
O	CA87-01	PASSIVE SECURITY SOUNDER DRIVE: TO ACTIVATE, GEM SWITCHES CIRCUIT TO B+
I	CA87-15	LH REAR DOOR AJAR: DOOR OPEN = OPEN CIRCUIT; DOOR CLOSED = GROUND
O	IP5-14	HORN RELAY DRIVE : TO ACTIVATE, GEM SWITCHES CIRCUIT TO GROUND
I	IP5-15	TAIL GLASS AJAR: GLASS OPEN = OPEN CIRCUIT; GLASS CLOSED = GROUND
S	IP5-18	SCP -
S	IP5-19	SCP +
I	IP5-23	REMOTE RF SIGNAL
SG	IP6-01	LOGIC GROUND: GROUND
I	IP6-08	KEY-IN IGNITION SWITCH: B+ WHEN KEY IN
I	IP6-10	AUDIO UNIT PRESENCE SENSE: GROUND WHEN RADIO INSTALLED
I	IP6-21	PASSENGER DOOR AJAR: DOOR OPEN = OPEN CIRCUIT; DOOR CLOSED = GROUND
I	IP6-22	DRIVER DOOR AJAR: DOOR OPEN = OPEN CIRCUIT; DOOR CLOSED = GROUND
B+	JB172-01	BATTERY POWER SUPPLY (LOCKING): B+
O	JB172-03	RH FRONT TURN SIGNAL: TO ACTIVATE, GEM SWITCHES CIRCUIT TO B+
O	JB172-04	LH FRONT TURN SIGNAL: TO ACTIVATE, GEM SWITCHES CIRCUIT TO B+
B+	JB172-05	BATTERY POWER SUPPLY (TURN SIGNALS): B+
D	JB172-18	ACTIVE SECURITY SOUNDER DRIVE: ENCODED COMMUNICATIONS
I	JB172-21	HOOD AJAR: HOOD OPEN = OPEN CIRCUIT; HOOD CLOSED = GROUND

Instrument Cluster

	Pin	Description and Characteristic
O	IP10-02	SECURITY INDICATOR DRIVE: TO ACTIVATE, IC SWITCHES CIRCUIT TO B+
D	IP10-03	PATS 1: ENCODED COMMUNICATION
D	IP10-04	PATS 2: ENCODED COMMUNICATION
I	IP10-05	PATS GROUND: GROUND
O	IP10-06	PATS TRANSCEIVER POWER: B+
C	IP10-17	CAN +
C	IP10-18	CAN -
S	IP10-22	SCP +
S	IP10-23	SCP -
I	IP11-08	POWER GROUND: GROUND
I	IP11-13	IGNITION SWITCHED POWER SUPPLY (I): B+

The following abbreviations are used to represent values for Control Module Pin-Out data

I	Input	PG	Power Ground	C	CAN Network	D	Serial and Encoded Data
O	Output	SS	Sensor / Signal Supply V	S	SCP Network	V	Voltage (DC)
B+	Battery Voltage	SG	Sensor / Signal Ground	D2	D2B Network	PWM	Pulse Width Modulated

CAUTION: The information on this data page is furnished to aid the user in understanding circuit operation. THIS INFORMATION SHOULD BE USED FOR REFERENCE ONLY.

NOTE: The values listed are approximately those that can be expected at the control module connector pins with all circuit connections made and all components connected and fitted.

Fig. 12.5

COMPONENTS

Component	Connector(s)	Connector Description	Location
AUDIO UNIT	ID1	2-WAY / D2B	INSTRUMENT PANEL CENTER
	IP65	20-WAY / BLACK	
	IP106	2-WAY / METALLIC	
DOOR LATCH – DRIVER	DD3	8-WAY / BLACK	DRIVER DOOR
	DD9	2-WAY / BLACK	
DOOR LATCH – LH REAR	BL3	8-WAY / BLACK	LH REAR DOOR
	BL6	2-WAY / BLACK	
DOOR LATCH – PASSENGER	PD3	8-WAY / BLACK	PASSENGER DOOR
	PD9	2-WAY / BLACK	
DOOR LATCH – RH REAR	BR3	8-WAY / BLACK	RH REAR DOOR
	BR6	2-WAY / BLACK	
ENGINE CONTROL MODULE – 2.0 L	EN65	104-WAY / BLACK	ENGINE COMPARTMENT, FRONT BULKHEAD / RH SIDE
ENGINE CONTROL MODULE – Diesel	DL1	121-WAY / BLACK	ENGINE COMPARTMENT, FRONT BULKHEAD / RH SIDE
ENGINE CONTROL MODULE – 2.5 L, 3.0 L	EN16	134-WAY / BLACK	ENGINE COMPARTMENT, FRONT BULKHEAD / RH SIDE
GENERAL ELECTRONIC MODULE	CA86	23-WAY / GREY	BEHIND INSTRUMENT PANEL / RH SIDE
	CA87	23-WAY / GREEN	
	IP5	23-WAY / BROWN	
	IP6	23-WAY / NATURAL	
	JB172	23-WAY / BLUE	
HOOD SECURITY SWITCH	JB81	2-WAY / BLACK	ADJACENT TO RH FRONT SUSPENSION TURRET
IGNITION SWITCH	IP18	7-WAY / BLACK	STEERING COLUMN
INCLINATION SENSOR	CA190	6-WAY / BLACK	TRUNK, LH REAR
INSTRUMENT CLUSTER	IP10	26-WAY / WHITE	INSTRUMENT PANEL
	IP11	26-WAY / WHITE	
PASSIVE ANTI-THEFT SYSTEM TRANSCEIVER	IP15	4-WAY / BLACK	STEERING COLUMN, IGNITION SWITCH
RF MODULE	RC35	3-WAY / BLACK	ROOF CONSOLE
ROOF CONSOLE – PRINTED CIRCUIT BOARD	RC23	20-WAY / WHITE	ROOF CENTER FRONT
ROOF CONSOLE – WITHOUT PRINTED CIRCUIT BOARD	RC30	4-WAY / BLACK	ROOF CENTER FRONT
	RC31	2-WAY / BLACK	
	RC33	4-WAY / BLACK	
	RC34	6-WAY / BLACK	
	IP29	6-WAY / BLACK	
SECURITY INDICATOR	IP29	6-WAY / BLACK	CENTER CONSOLE
SECURITY SOUNDER – ACTIVE	SL3	3-WAY / BLACK	BEHIND FRONT LH WHEEL ARCH LINER
SECURITY SOUNDER – PASSIVE	SL1	1-WAY / ORANGE	LH FRONT OF VEHICLE
	SL2	1-WAY / ORANGE	
TAIL GATE LATCH	WT6	6-WAY / BLACK	TAIL GATE
TAIL GLASS LATCH	WT7	4-WAY / BLACK	TAIL GATE

HARNESS IN-LINE CONNECTORS

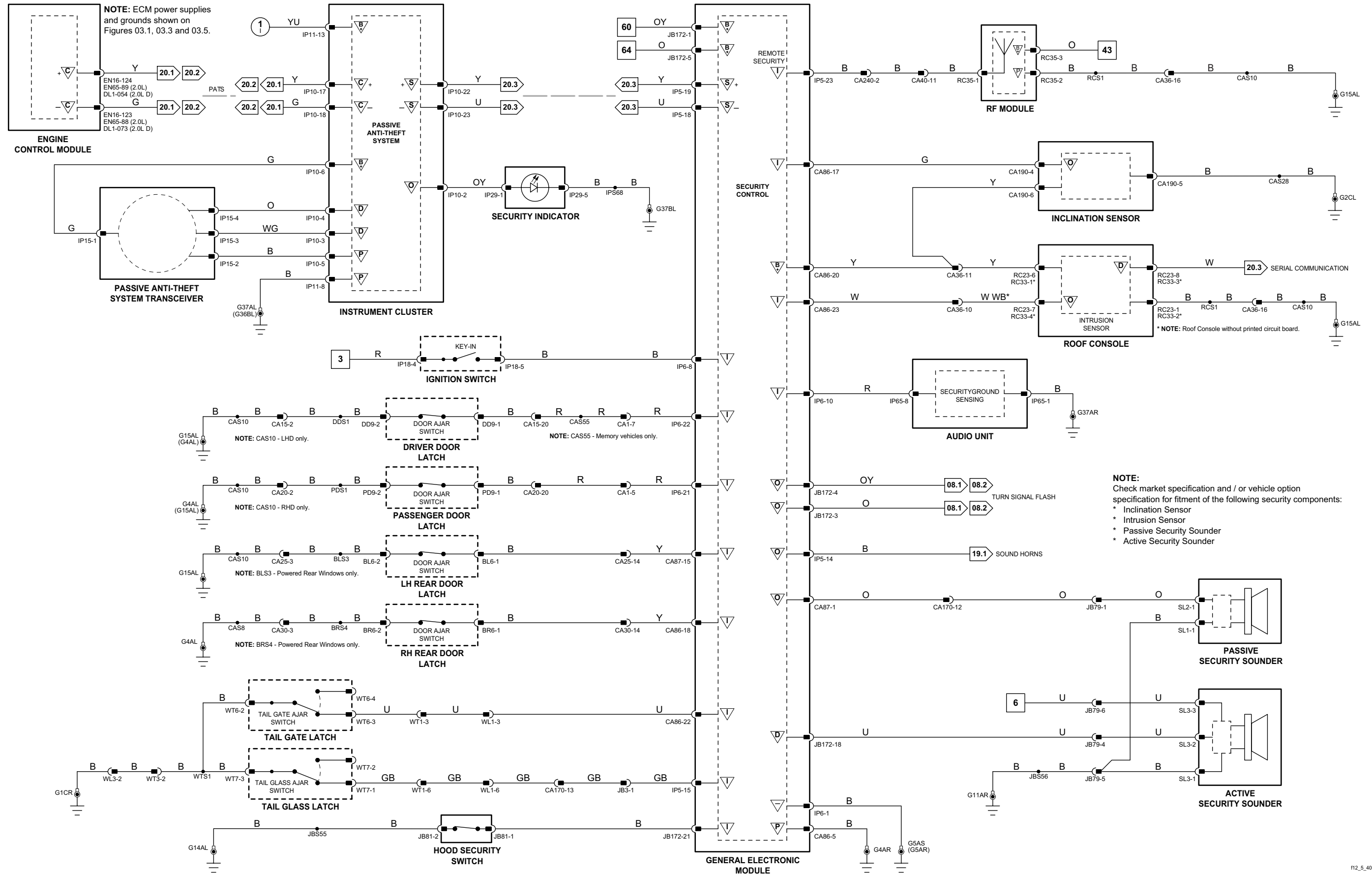
Connector	Connector Description / Location	Location
CA1	22-WAY / NATURAL / INSTRUMENT PANEL HARNESS TO CABIN HARNESS	LH 'A' POST / 'A' POST TRIM
CA15	20-WAY / BLACK / CABIN HARNESS TO DRIVER DOOR HARNESS	DRIVER DOOR / DOOR CASING
CA20	20-WAY / BLACK / CABIN HARNESS TO PASSENGER DOOR HARNESS	PASSENGER DOOR / DOOR CASING
CA25	14-WAY / NATURAL / CABIN HARNESS TO LH REAR DOOR HARNESS	LH 'B/C' POST / 'B/C' POST TRIM
CA30	14-WAY / NATURAL / CABIN HARNESS TO RH REAR DOOR HARNESS	RH 'B/C' POST / 'B/C' POST TRIM
CA36	16-WAY / GREEN / CABIN HARNESS TO ROOF HARNESS	LH 'A' POST / WINDSHIELD PILLAR
CA40	16-WAY / GREY / CABIN HARNESS TO ROOF HARNESS	RH 'A' POST / WINDSHIELD PILLAR
CA170	16-WAY / GREEN / JUNCTION BOX HARNESS TO CABIN HARNESS	LH 'A' POST / 'A' POST TRIM
CA240	12-WAY / GREY / CABIN HARNESS TO INSTRUMENT PANEL HARNESS	LH LOWER 'A' POST / 'A' POST TRIM
JB3	14-WAY / BLUE / JUNCTION BOX HARNESS TO INSTRUMENT PANEL HARNESS	BELOW INSTRUMENT PANEL / LH SIDE
JB79	6-WAY / BLACK / JUNCTION BOX HARNESS TO SECURITY SOUNDER LINK LEAD	BEHIND LH FRONT WHEEL ARCH LINER
WL1	8-WAY / BLACK / CABIN HARNESS TO TAIL GATE LINK LEAD	ROOF / CENTER REAR
WL3	3-WAY / BLACK / CABIN HARNESS TO TAIL GATE LINK LEAD	ROOF / CENTER REAR
WT1	8-WAY / BLACK / CABIN HARNESS TO TAIL GATE HARNESS	TAIL GATE
WT3	3-WAY / BLACK / CABIN HARNESS TO TAIL GATE HARNESS	TAIL GATE

GROUNDS

Ground	Harness	Location
G1	CA	TRUNK / UNDER LH TAIL LAMP UNIT
G4	CA	LOWER RH 'A' POST
G5	IP	UPPER RH 'A' POST
G14	JB	ENGINE COMPARTMENT / BEHIND POWER DISTRIBUTION FUSEBOX
G15	CA	LOWER LH 'A' POST
G36	IP	BEHIND INSTRUMENT PANEL / LH SIDE OF CROSS CAR BEAM
G37	IP	BEHIND INSTRUMENT PANEL / RH SIDE OF CROSS CAR BEAM

NOTE: FOR CONTROL MODULE PIN-OUT INFORMATION, UNFOLD PAGE TO LEFT.

Refer to the front of this book for detailed information and illustrations regarding the location and identification of harnesses, relays, fuses, grounds, control modules and control module pins.



1 → 6 Fig. 01.1	34 → 79 Fig. 01.3	11 → 31 Fig. 01.5	67 → 76 Fig. 01.7	98 → 107 Fig. 01.9	Input	Battery Voltage	Sensor/Signal Supply V	CAN	D2B Network
7 → 33 Fig. 01.2	1 → 10 Fig. 01.4	32 → 66 Fig. 01.6	77 → 97 Fig. 01.8		Output	Power Ground	Sensor/Signal Ground	SCP	Serial and Encoded Data

VARIANT: Estate (Wagon) Vehicles
VIN RANGE: All
DATE OF ISSUE: January 2007

r12_5_4000625

General Electronic Module

	Pin	Description and Characteristic
PG	CA86-05	POWER GROUND
I	IP5-04	INTERMITTENT WIPE INTERVAL: 1 = 0.5†- 4 k; 2 = 4†- 14 k; 3 = 14†- 24 k; 4 = 24†- 34 k; 5 = 34†- 43 k; 6 = 43†- 57 k
S	IP5-18	
S	IP5-19	
O	IP5-21	
		WINDSHIELD WIPER RELAY DRIVE: TO ACTIVATE, CIRCUIT SWITCHED TO GROUND
SG	IP6-01	LOGIC GROUND: GROUND
I	IP6-04	INTERMITTENT WIPE: B+ WHEN SELECTED
I	IP6-05	FRONT WASHER SWITCH: WASHER ON = GROUND; WASHER OFF = B+
B+	JB172-01	BATTERY POWER SUPPLY (LOCKING): B+
I	JB172-02	WIPER MOTOR PARK SWITCH: PARKED = GROUND; NOT PARKED = B+
B+	JB172-05	BATTERY POWER SUPPLY (TURN SIGNALS): B+
O	JB172-23	POWER WASH PUMP RELAY DRIVE: TO ACTIVATE, GEM SWITCHES CIRCUIT TO GROUND

Fig. 13.1

COMPONENTS

Component	Connector(s)	Connector Description	Location
GENERAL ELECTRONIC MODULE	CA86	23-WAY / GREY	BEHIND INSTRUMENT PANEL / RH SIDE
	CA87	23-WAY / GREEN	
	IP5	23-WAY / BROWN	
	IP6	23-WAY / NATURAL	
	JB172	23-WAY / BLUE	
PASSENGER JUNCTION FUSEBOX	-	-	PASSENGER COMPARTMENT, FRONT BULKHEAD / LH SIDE
POWER DISTRIBUTION FUSEBOX	-	-	ENGINE COMPARTMENT
POWERWASH PUMP	JB65	2-WAY / GREY	BEHIND RH FRONT WHEEL ARCH LINER
POWERWASH PUMP RELAY	-	-	POWER DISTRIBUTION FUSEBOX - R8
WINDSHIELD WASHER PUMP	JB109	-	ENGINE COMPARTMENT / RH FRONT
WINDSHIELD WIPER MOTOR RELAY	-	-	POWER DISTRIBUTION FUSEBOX - R4
WIPER MOTOR - FRONT	JB63	-	BASE OF WINDSHIELD / LH SIDE
WIPER SWITCH ASSEMBLY	IP16	10-WAY / GREY	STEERING COLUMN

HARNESS IN-LINE CONNECTORS

Connector	Connector Description / Location	Location
JB3	14-WAY / BLUE / JUNCTION BOX HARNESS TO INSTRUMENT PANEL HARNESS	BELOW INSTRUMENT PANEL / LH SIDE
JB129	22-WAY / GREY / JUNCTION BOX HARNESS TO INSTRUMENT PANEL HARNESS	BELOW INSTRUMENT PANEL / LH SIDE
JB130	22-WAY / GREEN / JUNCTION BOX HARNESS TO INSTRUMENT PANEL HARNESS	BELOW INSTRUMENT PANEL / LH SIDE

GROUNDS

Ground	Harness	Location
G4	CA	LOWER RH 'A' POST
G5	IP	UPPER RH 'A' POST
G10	JB	ENGINE COMPARTMENT / BEHIND RH HEADLAMP
G14	JB	ENGINE COMPARTMENT / BEHIND POWER DISTRIBUTION FUSEBOX
G36	IP	BEHIND INSTRUMENT PANEL / LH SIDE OF CROSS CAR BEAM
G37	IP	BEHIND INSTRUMENT PANEL / RH SIDE OF CROSS CAR BEAM

FOR CONTROL MODULE PIN-OUT INFORMATION, UNFOLD PAGE TO LEFT.

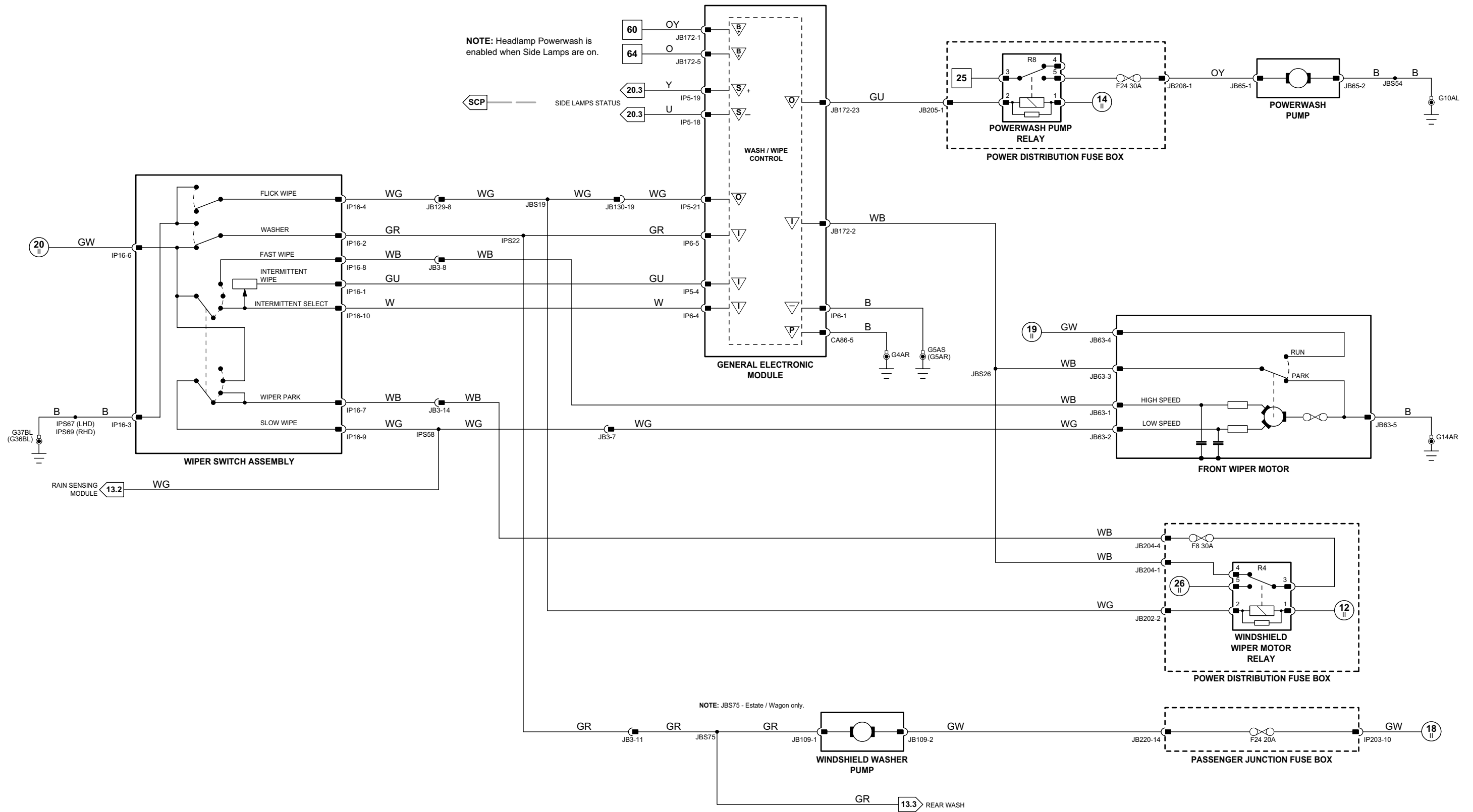
The following abbreviations are used to represent values for Control Module Pin-Out data

I	Input	PG	Power Ground	C	CAN Network	D	Serial and Encoded Data
O	Output	SS	Sensor / Signal Supply V	S	SCP Network	V	Voltage (DC)
B+	Battery Voltage	SG	Sensor / Signal Ground	D2	D2B Network	PWM	Pulse Width Modulated

CAUTION: The information on this data page is furnished to aid the user in understanding circuit operation. THIS INFORMATION SHOULD BE USED FOR REFERENCE ONLY.

NOTE: The values listed are approximately those that can be expected at the control module connector pins with all circuit connections made and all components connected and fitted.

Refer to the front of this book for detailed information and illustrations regarding the location and identification of harnesses, relays, fuses, grounds, control modules and control module pins.



113_1_4000625

1 → 6 Fig. 01.1	34 → 79 Fig. 01.3	11 → 31 Fig. 01.5	67 → 76 Fig. 01.7	98 → 107 Fig. 01.9	Input	Battery Voltage	Sensor/Signal Supply V	CAN	D2B Network
7 → 33 Fig. 01.2	1 → 10 Fig. 01.4	32 → 66 Fig. 01.6	77 → 97 Fig. 01.8		Output	Power Ground	Sensor/Signal Ground	SCP	Serial and Encoded Data

VARIANT: Non Rain Sensing Vehicles
VIN RANGE: All
DATE OF ISSUE: January 2007

General Electronic Module

	Pin	Description and Characteristic
PG	CA86-05	POWER GROUND
I	IP5-04	INTERMITTENT WIPE INTERVAL: 1 = 0.5†- 4 k; 2 = 4†- 14 k; 3 = 14†- 24 k; 4 = 24†- 34 k; 5 = 34†- 43 k; 6 = 43†- 57 k
S	IP5-18	
S	IP5-19	
O	IP5-21	
		WINDSHIELD WIPER RELAY DRIVE: TO ACTIVATE, CIRCUIT SWITCHED TO GROUND
SG	IP6-01	LOGIC GROUND: GROUND
I	IP6-04	INTERMITTENT WIPE: B+ WHEN SELECTED
I	IP6-05	FRONT WASHER SWITCH: WASHER ON = GROUND; WASHER OFF = B+
B+	JB172-01	BATTERY POWER SUPPLY (LOCKING): B+
I	JB172-02	WIPER MOTOR PARK SWITCH: PARKED = GROUND; NOT PARKED = B+
B+	JB172-05	BATTERY POWER SUPPLY (TURN SIGNALS): B+
O	JB172-23	POWER WASH PUMP RELAY DRIVE: TO ACTIVATE, GEM SWITCHES CIRCUIT TO GROUND

Fig. 13.2

COMPONENTS

Component	Connector(s)	Connector Description	Location
GENERAL ELECTRONIC MODULE	CA86	23-WAY / GREY	BEHIND INSTRUMENT PANEL / RH SIDE
	CA87	23-WAY / GREEN	
	IP5	23-WAY / BROWN	
	IP6	23-WAY / NATURAL	
	JB172	23-WAY / BLUE	
PASSENGER JUNCTION FUSEBOX	-	-	PASSENGER COMPARTMENT, FRONT BULKHEAD / LH SIDE
POWER DISTRIBUTION FUSEBOX	-	-	ENGINE COMPARTMENT
POWERWASH PUMP	JB65	2-WAY / GREY	BEHIND RH FRONT WHEEL ARCH LINER
POWERWASH PUMP RELAY	-	-	POWER DISTRIBUTION FUSEBOX - R8
RAIN SENSING MODULE	CA6	12-WAY / BLACK	BEHIND INSTRUMENT PANEL / LH SIDE
RAIN SENSOR	RC15	3-WAY / BLACK	BEHIND REAR VIEW MIRROR
WINDSHIELD WASHER PUMP	JB109		ENGINE COMPARTMENT / RH FRONT
WINDSHIELD WIPER MOTOR RELAY	-	-	POWER DISTRIBUTION FUSEBOX - R4
WIPER MOTOR - FRONT	JB63		BASE OF WINDSHIELD / LH SIDE
WIPER SWITCH ASSEMBLY	IP16	10-WAY / GREY	STEERING COLUMN

HARNESS IN-LINE CONNECTORS

Connector	Connector Description / Location	Location
CA1	22-WAY / NATURAL / INSTRUMENT PANEL HARNESS TO CABIN HARNESS	LH 'A' POST / 'A' POST TRIM
CA10	22-WAY / SLATE / CABIN HARNESS TO JUNCTION BOX HARNESS	LH 'A' POST / 'A' POST TRIM
CA40	16-WAY / GREY / CABIN HARNESS TO ROOF HARNESS	RH 'A' POST / WINDSHIELD PILLAR
CA230	16-WAY / BLUE / CABIN HARNESS TO INSTRUMENT PANEL HARNESS	LH LOWER 'A' POST / 'A' POST TRIM
JB3	14-WAY / BLUE / JUNCTION BOX HARNESS TO INSTRUMENT PANEL HARNESS	BELOW INSTRUMENT PANEL / LH SIDE
JB129	22-WAY / GREY / JUNCTION BOX HARNESS TO INSTRUMENT PANEL HARNESS	BELOW INSTRUMENT PANEL / LH SIDE
JB130	22-WAY / GREEN / JUNCTION BOX HARNESS TO INSTRUMENT PANEL HARNESS	BELOW INSTRUMENT PANEL / LH SIDE

GROUNDS

Ground	Harness	Location
G4	CA	LOWER RH 'A' POST
G5	IP	UPPER RH 'A' POST
G10	JB	ENGINE COMPARTMENT / BEHIND RH HEADLAMP
G14	JB	ENGINE COMPARTMENT / BEHIND POWER DISTRIBUTION FUSEBOX
G15	CA	LOWER LH 'A' POST
G36	IP	BEHIND INSTRUMENT PANEL / LH SIDE OF CROSS CAR BEAM
G37	IP	BEHIND INSTRUMENT PANEL / RH SIDE OF CROSS CAR BEAM

FOR CONTROL MODULE PIN-OUT INFORMATION, UNFOLD PAGE TO LEFT.

The following abbreviations are used to represent values for Control Module Pin-Out data

I	Input	PG	Power Ground	C	CAN Network	D	Serial and Encoded Data
O	Output	SS	Sensor / Signal Supply V	S	SCP Network	V	Voltage (DC)
B+	Battery Voltage	SG	Sensor / Signal Ground	D2	D2B Network	PWM	Pulse Width Modulated

CAUTION: The information on this data page is furnished to aid the user in understanding circuit operation. THIS INFORMATION SHOULD BE USED FOR REFERENCE ONLY.

NOTE: The values listed are approximately those that can be expected at the control module connector pins with all circuit connections made and all components connected and fitted.

Refer to the front of this book for detailed information and illustrations regarding the location and identification of harnesses, relays, fuses, grounds, control modules and control module pins.

General Electronic Module

	Pin	Description and Characteristic
PG	CA86-05	POWER GROUND
I	IP5-02	REAR WASHER SWITCH: WASHER ON = GROUND; WASHER OFF = B+
I	IP5-03	ESTATE (WAGON); REAR WIPER SWITCH: B+ WHEN SELECTED
O	IP5-17	REAR WIPER MOTOR RELAY DRIVE: TO ACTIVATE, GEM SWITCH CIRCUIT TO GROUND
S	IP5-18	SCP -
S	IP5-19	SCP +
SG	IP6-01	LOGIC GROUND: GROUND
I	IP6-05	FRONT WASHER SWITCH: WASHER ON = GROUND; WASHER OFF = B+
I	IP6-12	REAR WIPER MOTOR PARK SWITCH: PARKED = GROUND; NOT PARKED = B+
B+	JB172-01	BATTERY POWER SUPPLY (LOCKING): B+
B+	JB172-05	BATTERY POWER SUPPLY (TURN SIGNALS): B+

Fig. 13.3

COMPONENTS

Component	Connector(s)	Connector Description	Location
GENERAL ELECTRONIC MODULE	CA86	23-WAY / GREY	BEHIND INSTRUMENT PANEL / RH SIDE
	CA87	23-WAY / GREEN	
	IP5	23-WAY / BROWN	
	IP6	23-WAY / NATURAL	
	JB172	23-WAY / BLUE	
	-	-	PASSENGER COMPARTMENT, FRONT BULKHEAD / LH SIDE
PASSENGER JUNCTION FUSEBOX	-	-	PASSENGER COMPARTMENT, FRONT BULKHEAD / LH SIDE
WINDSHIELD WASHER PUMP	JB109		ENGINE COMPARTMENT / RH FRONT
WIPER MOTOR - REAR	WT5		TAIL GATE
WIPER MOTOR RELAY - REAR	-	-	PASSENGER JUNCTION FUSEBOX - R3
WIPER SWITCH ASSEMBLY	IP16	10-WAY / GREY	STEERING COLUMN

HARNESS IN-LINE CONNECTORS

Connector	Connector Description / Location	Location
CA1	22-WAY / NATURAL / INSTRUMENT PANEL HARNESS TO CABIN HARNESS	LH 'A' POST / 'A' POST TRIM
CA169	4-WAY / GREY / CABIN HARNESS TO INSTRUMENT PANEL HARNESS	LH LOWER A POST / A POST TRIM
WL3	3-WAY / BLACK / CABIN HARNESS TO TAIL GATE LINK LEAD	ROOF / CENTER REAR
WT3	3-WAY / BLACK / CABIN HARNESS TO TAIL GATE HARNESS	TAIL GATE

GROUNDS

Ground	Harness	Location
G1	CA	TRUNK / UNDER LH TAIL LAMP UNIT
G4	CA	LOWER RH 'A' POST
G5	IP	UPPER RH 'A' POST
G36	IP	BEHIND INSTRUMENT PANEL / LH SIDE OF CROSS CAR BEAM
G37	IP	BEHIND INSTRUMENT PANEL / RH SIDE OF CROSS CAR BEAM

FOR CONTROL MODULE PIN-OUT INFORMATION, UNFOLD PAGE TO LEFT.

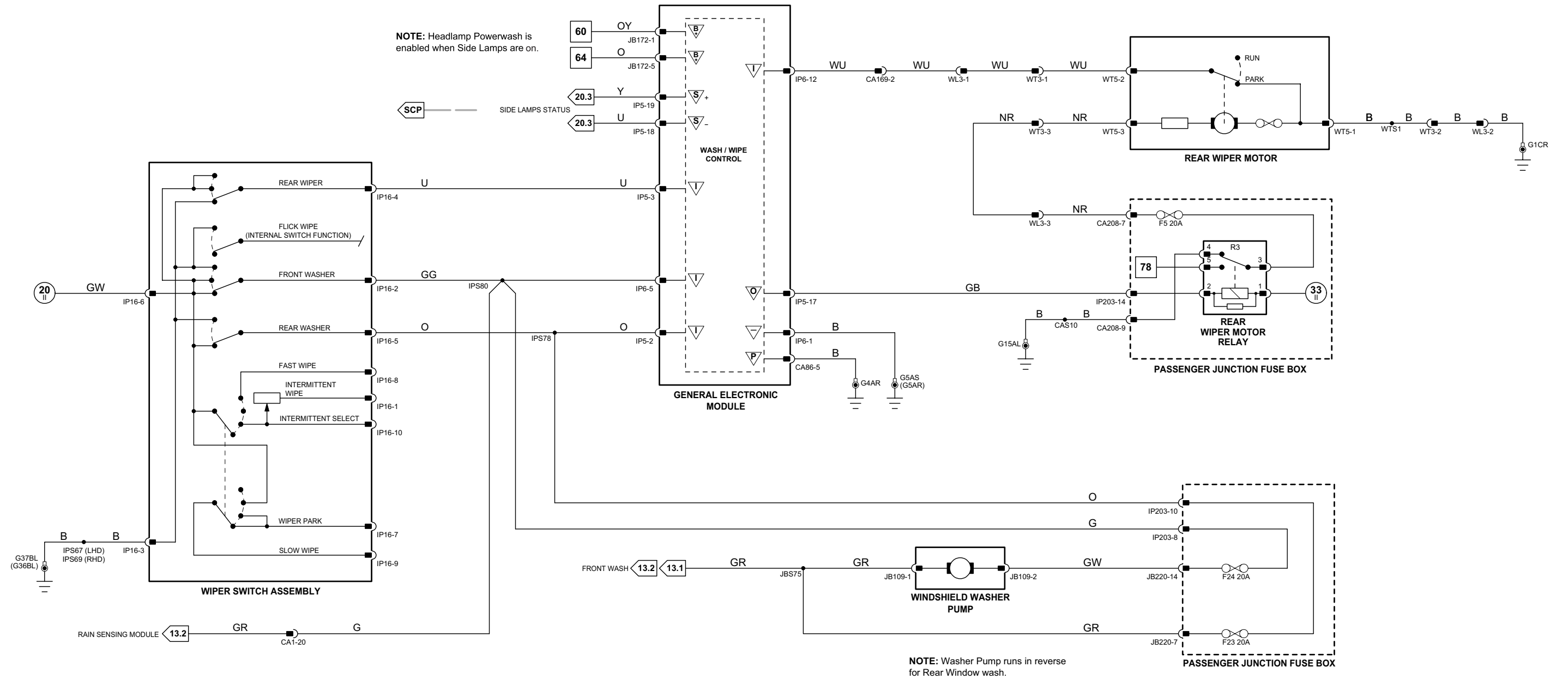
The following abbreviations are used to represent values for Control Module Pin-Out data

I	Input	PG	Power Ground	C	CAN Network	D	Serial and Encoded Data
O	Output	SS	Sensor / Signal Supply V	S	SCP Network	V	Voltage (DC)
B+	Battery Voltage	SG	Sensor / Signal Ground	D2	D2B Network	PWM	Pulse Width Modulated

CAUTION: The information on this data page is furnished to aid the user in understanding circuit operation. THIS INFORMATION SHOULD BE USED FOR REFERENCE ONLY.

NOTE: The values listed are approximately those that can be expected at the control module connector pins with all circuit connections made and all components connected and fitted.

Refer to the front of this book for detailed information and illustrations regarding the location and identification of harnesses, relays, fuses, grounds, control modules and control module pins.



General Electronic Module

	Pin	Description and Characteristic
I	CA86-16	SET SWITCH: OPEN CIRCUIT / GROUND
O	CA87-17	GLOBAL CLOSE REQUEST: 20 mS PULSED SIGNAL
I	IP5-03	SEDAN (EXCEPT JAPAN AND S. KOREA): EXTERNAL ANTENNA
I	IP5-23	REMOTE RF SIGNAL
SG	IP6-01	LOGIC GROUND: GROUND
B+	JB172-01	BATTERY POWER SUPPLY (LOCKING): B+

Fig. 14.1

COMPONENTS

Component	Connector(s)	Connector Description	Location
DOOR LATCH – DRIVER	DD3	8-WAY / BLACK	DRIVER DOOR
	DD9	2-WAY / BLACK	
DOOR SWITCH PACK – DRIVER	DD1	20-WAY / BLACK	DRIVER DOOR CASING
DOOR SWITCH PACK – LH REAR	BL1	8-WAY / BLACK	LH REAR DOOR CASING
DOOR SWITCH PACK – PASSENGER	PD10	8-WAY / BLACK	PASSENGER DOOR CASING
DOOR SWITCH PACK – RH REAR	BR1	8-WAY / BLACK	RH REAR DOOR CASING
GENERAL ELECTRONIC MODULE	CA86	23-WAY / GREY	BEHIND INSTRUMENT PANEL / RH SIDE
	CA87	23-WAY / GREEN	
	IP5	23-WAY / BROWN	
	IP6	23-WAY / NATURAL	
	JB172	23-WAY / BLUE	
RF MODULE	RC35	3-WAY / BLACK	ROOF CONSOLE
WINDOW MOTOR – DRIVER	DD2	8-WAY / GREY	DRIVER DOOR
WINDOW MOTOR – LH REAR	BL2	8-WAY / GREY	LH REAR DOOR
WINDOW MOTOR – PASSENGER	PD2	8-WAY / GREY	PASSENGER DOOR
WINDOW MOTOR – RH REAR	BR2	8-WAY / GREY	RH REAR DOOR

HARNESS IN-LINE CONNECTORS

Connector	Connector Description / Location	Location
CA15	20-WAY / BLACK / CABIN HARNESS TO DRIVER DOOR HARNESS	DRIVER DOOR / DOOR CASING
CA16	20-WAY / BLACK / CABIN HARNESS TO DRIVER DOOR HARNESS	DRIVER DOOR / DOOR CASING
CA20	20-WAY / BLACK / CABIN HARNESS TO PASSENGER DOOR HARNESS	PASSENGER DOOR / DOOR CASING
CA25	14-WAY / NATURAL / CABIN HARNESS TO LH REAR DOOR HARNESS	LH 'B/C' POST / 'B/C' POST TRIM
CA30	14-WAY / NATURAL / CABIN HARNESS TO RH REAR DOOR HARNESS	RH 'B/C' POST / 'B/C' POST TRIM
CA36	16-WAY / GREEN / CABIN HARNESS TO ROOF HARNESS	LH 'A' POST / WINDSHIELD PILLAR
CA40	16-WAY / GREY / CABIN HARNESS TO ROOF HARNESS	RH 'A' POST / WINDSHIELD PILLAR
CA240	12-WAY / GREY / CABIN HARNESS TO INSTRUMENT PANEL HARNESS	LH LOWER 'A' POST / 'A' POST TRIM

GROUNDS

Ground	Harness	Location
G4	CA	LOWER RH 'A' POST
G5	IP	UPPER RH 'A' POST
G15	CA	LOWER LH 'A' POST

FOR CONTROL MODULE PIN-OUT INFORMATION, UNFOLD PAGE TO LEFT.

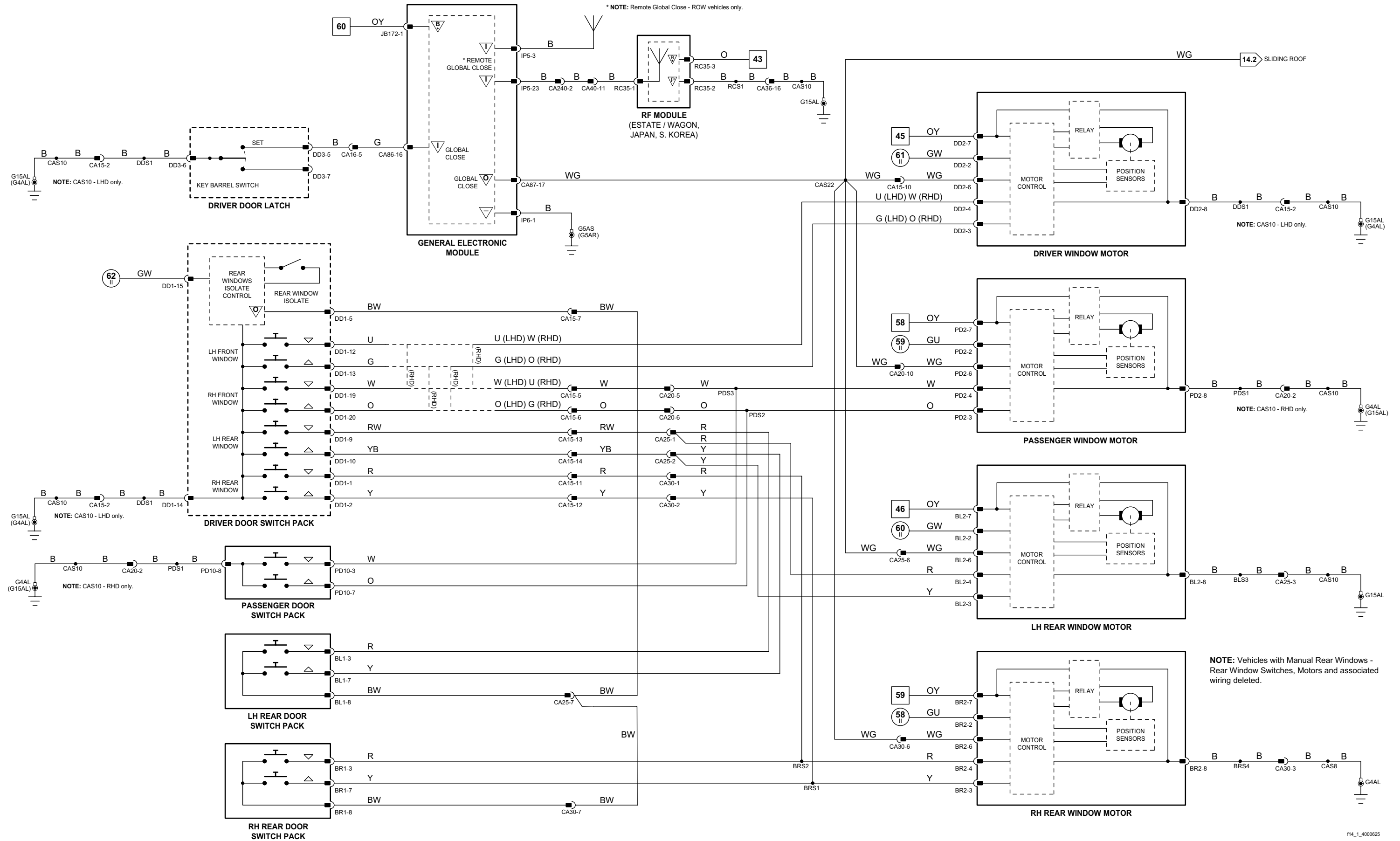
The following abbreviations are used to represent values for Control Module Pin-Out data

I	Input	PG	Power Ground	C	CAN Network	D	Serial and Encoded Data
O	Output	SS	Sensor / Signal Supply V	S	SCP Network	V	Voltage (DC)
B+	Battery Voltage	SG	Sensor / Signal Ground	D2	D2B Network	PWM	Pulse Width Modulated

CAUTION: The information on this data page is furnished to aid the user in understanding circuit operation. THIS INFORMATION SHOULD BE USED FOR REFERENCE ONLY.

NOTE: The values listed are approximately those that can be expected at the control module connector pins with all circuit connections made and all components connected and fitted.

Refer to the front of this book for detailed information and illustrations regarding the location and identification of harnesses, relays, fuses, grounds, control modules and control module pins.



f14_1_4000625

1 → 6 Fig. 01.1	34 → 79 Fig. 01.3	11 → 31 Fig. 01.5	67 → 76 Fig. 01.7	98 → 107 Fig. 01.9	Input	Battery Voltage	Sensor/Signal Supply V	CAN	D2B Network
7 → 33 Fig. 01.2	1 → 10 Fig. 01.4	32 → 66 Fig. 01.6	77 → 97 Fig. 01.8		Output	Power Ground	Sensor/Signal Ground	SCP	Serial and Encoded Data

VARIANT: All Vehicles
VIN RANGE: All
DATE OF ISSUE: January 2007

General Electronic Module

	Pin	Description and Characteristic
I	CA86-16	SET SWITCH: OPEN CIRCUIT / GROUND
O	CA87-17	GLOBAL CLOSE REQUEST: 20 mS PULSED SIGNAL
O	CA87-20	VEHICLE SPEED SIGNAL: PULSED SIGNAL, 8000 PULSES PER MPH
I	IP5-03	SEDAN (EXCEPT JAPAN AND S. KOREA): EXTERNAL ANTENNA
S	IP5-18	SCP -
S	IP5-19	SCP +
I	IP5-23	REMOTE RF SIGNAL
SG	IP6-01	LOGIC GROUND: GROUND
B+	JB172-01	BATTERY POWER SUPPLY (LOCKING): B+

Fig. 14.2

COMPONENTS

Component	Connector(s)	Connector Description	Location
DOOR LATCH - DRIVER	DD3	8-WAY / BLACK	DRIVER DOOR
	DD9	2-WAY / BLACK	
GENERAL ELECTRONIC MODULE	CA86	23-WAY / GREY	BEHIND INSTRUMENT PANEL / RH SIDE
	CA87	23-WAY / GREEN	
	IP5	23-WAY / BROWN	
	IP6	23-WAY / NATURAL	
	JB172	23-WAY / BLUE	
RF MODULE	RC35	3-WAY / BLACK	ROOF CONSOLE
ROOF CONSOLE - PRINTED CIRCUIT BOARD	RC23	20-WAY / WHITE	ROOF CENTER FRONT
ROOF CONSOLE - WITHOUT PRINTED CIRCUIT BOARD	RC30	4-WAY / BLACK	ROOF CENTER FRONT
	RC31	2-WAY / BLACK	
	RC33	4-WAY / BLACK	
	RC34	6-WAY / BLACK	
SLIDING ROOF MODULE	RC14	10-WAY / GREY	ROOF CONSOLE

HARNESS IN-LINE CONNECTORS

Connector	Connector Description / Location	Location
CA15	20-WAY / BLACK / CABIN HARNESS TO DRIVER DOOR HARNESS	DRIVER DOOR / DOOR CASING
CA16	20-WAY / BLACK / CABIN HARNESS TO DRIVER DOOR HARNESS	DRIVER DOOR / DOOR CASING
CA36	16-WAY / GREEN / CABIN HARNESS TO ROOF HARNESS	LH 'A' POST / WINDSHIELD PILLAR
CA40	16-WAY / GREY / CABIN HARNESS TO ROOF HARNESS	RH 'A' POST / WINDSHIELD PILLAR
CA240	12-WAY / GREY / CABIN HARNESS TO INSTRUMENT PANEL HARNESS	LH LOWER 'A' POST / 'A' POST TRIM

GROUNDS

Ground	Harness	Location
G4	CA	LOWER RH 'A' POST
G5	IP	UPPER RH 'A' POST
G15	CA	LOWER LH 'A' POST

FOR CONTROL MODULE PIN-OUT INFORMATION, UNFOLD PAGE TO LEFT.

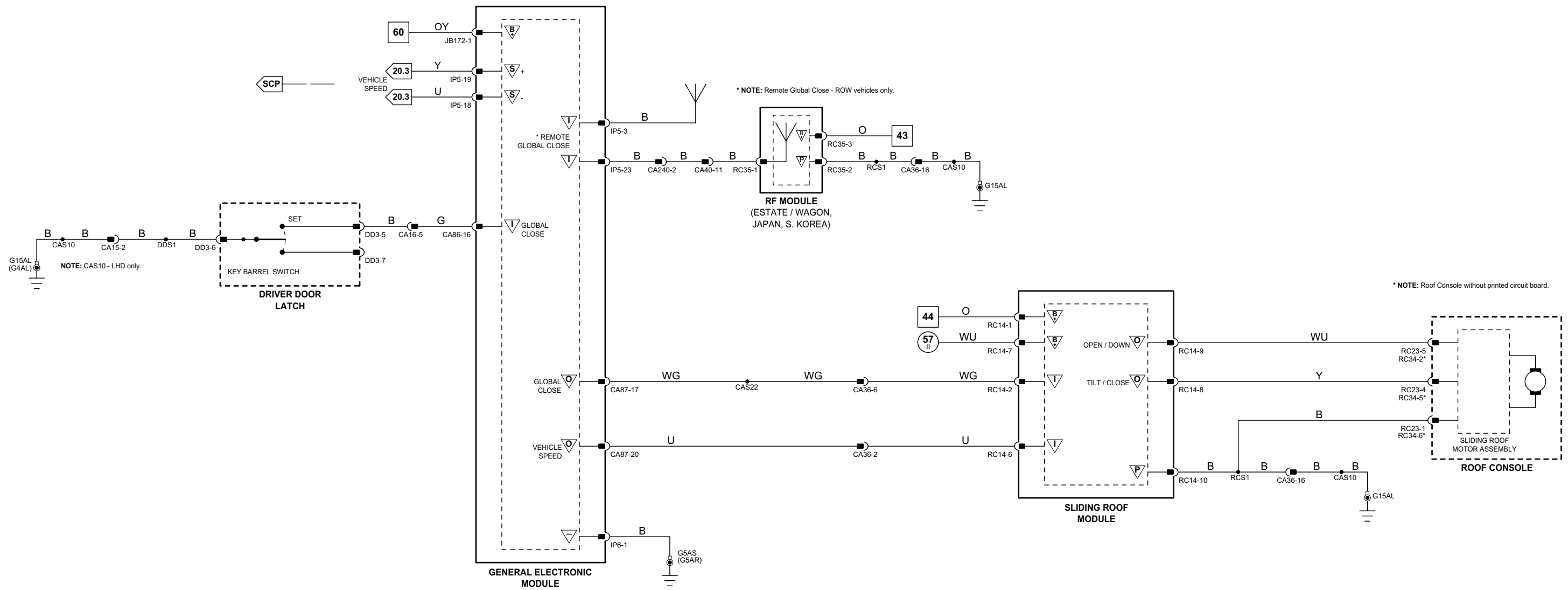
The following abbreviations are used to represent values for Control Module Pin-Out data

I	Input	PG	Power Ground	C	CAN Network	D	Serial and Encoded Data
O	Output	SS	Sensor / Signal Supply V	S	SCP Network	V	Voltage (DC)
B+	Battery Voltage	SG	Sensor / Signal Ground	D2	D2B Network	PWM	Pulse Width Modulated

CAUTION: The information on this data page is furnished to aid the user in understanding circuit operation. THIS INFORMATION SHOULD BE USED FOR REFERENCE ONLY.

NOTE: The values listed are approximately those that can be expected at the control module connector pins with all circuit connections made and all components connected and fitted.

Refer to the front of this book for detailed information and illustrations regarding the location and identification of harnesses, relays, fuses, grounds, control modules and control module pins.



Audio Unit

	Pin	Description and Characteristic
D2	ID1-1	D2B NETWORK TRANSMIT
D2	ID1-2	D2B NETWORK RECEIVE
PG	IP65-01	POWER GROUND: GROUND
B+	IP65-02	IGNITION SWITCHED POWER SUPPLY (I): B+
O	IP65-03	LH REAR AUDIO +
O	IP65-04	LH REAR AUDIO -
O	IP65-05	RH REAR AUDIO +
O	IP65-06	RH REAR AUDIO -
I	IP65-07	TELEPHONE MUTE SIGNAL
O	IP65-08	SECURITY SYSTEM GROUND SENSING: GROUND WHEN AUDIO UNIT INSTALLED
S	IP65-09	SCP +
S	IP65-10	SCP -
B+	IP65-11	BATTERY POWER SUPPLY: B+
O	IP65-13	LH FRONT AUDIO -
O	IP65-14	LH FRONT AUDIO +
O	IP65-15	RH FRONT AUDIO -
O	IP65-16	RH FRONT AUDIO +
I	IP65-17	DIMMER CONTROLLED ILLUMINATION: PWM, 80 Hz. GROUND = 0% DUTY CYCLE, B+ = 100% DUTY CYCLE
I	IP65-18	STEERING WHEEL SWITCHES: STEPPED RESISTANCE
O	IP65-19	D2B NETWORK WAKE-UP

Fig. 15.1

COMPONENTS

Component	Connector(s)	Connector Description	Location
AM / FM ANTENNA - ESTATE (WAGON)	CA116	3-WAY / BLACK	ROOF CENTER REAR
	CA118	2-WAY / BLACK	
ANTENNA MODULE - SEDAN	CA115	3-WAY / BLACK	BEHIND LH 'E' POST TRIM
	CA117	2-WAY / BLACK	
AUDIO CONTROL SWITCHES	SW3	4-WAY / BLACK	STEERING WHEEL
AUDIO UNIT	ID1	2-WAY / D2B	INSTRUMENT PANEL CENTER
	IP65	20-WAY / BLACK	
	IP106	2-WAY / METALLIC	
CD AUTOCHANGER	CA301	3-WAY / BLACK	TRUNK / LH SIDE
	CD2	2-WAY / D2B	
FULL RANGE SPEAKER - LH REAR	BL4	2-WAY / WHITE	LH REAR DOOR
FULL RANGE SPEAKER - RH REAR	BR4	2-WAY / WHITE	RH REAR DOOR
HEATED REAR WINDOW - SEDAN	ZA1	1-WAY / BLACK	REAR WINDOW
	ZA10	1-WAY / BLACK	
MID BASS SPEAKER - DRIVER DOOR	DD6	2-WAY / WHITE	DRIVER DOOR CASING
MID BASS SPEAKER - PASSENGER DOOR	PD5	2-WAY / WHITE	PASSENGER DOOR CASING
TWEETER SPEAKER - DRIVER DOOR	DD12	2-WAY / WHITE	DRIVER DOOR CASING
TWEETER SPEAKER - PASSENGER DOOR	PD11	2-WAY / WHITE	PASSENGER DOOR CASING

HARNESS IN-LINE CONNECTORS

Connector	Connector Description / Location	Location
CA15	20-WAY / BLACK / CABIN HARNESS TO DRIVER DOOR HARNESS	DRIVER DOOR / DOOR CASING
CA16	20-WAY / BLACK / CABIN HARNESS TO DRIVER DOOR HARNESS	DRIVER DOOR / DOOR CASING
CA20	20-WAY / BLACK / CABIN HARNESS TO PASSENGER DOOR HARNESS	PASSENGER DOOR / DOOR CASING
CA21	20-WAY / BLACK / CABIN HARNESS TO PASSENGER DOOR HARNESS	PASSENGER DOOR / DOOR CASING
CA25	14-WAY / NATURAL / CABIN HARNESS TO LH REAR DOOR HARNESS	LH 'B/C' POST / 'B/C' POST TRIM
CA30	14-WAY / NATURAL / CABIN HARNESS TO RH REAR DOOR HARNESS	RH 'B/C' POST / 'B/C' POST TRIM
CA189	2-WAY / BLACK / CABIN HARNESS TO INSTRUMENT PANEL HARNESS	LH LOWER 'A' POST / 'A' POST TRIM
CA230	16-WAY / BLUE / CABIN HARNESS TO INSTRUMENT PANEL HARNESS	LH LOWER 'A' POST / 'A' POST TRIM
IP34	10-WAY / NATURAL / INSTRUMENT PANEL HARNESS TO STEERING WHEEL HARNESS	STEERING WHEEL CASSETTE
JB1	42-WAY / BLACK / ENGINE MANAGEMENT HARNESS TO JUNCTION BOX HARNESS	ENGINE COMPARTMENT / LH SIDE
JB129	22-WAY / GREY / JUNCTION BOX HARNESS TO INSTRUMENT PANEL HARNESS	BELOW INSTRUMENT PANEL / LH SIDE

GROUNDS

Ground	Harness	Location
G1	CA	TRUNK / UNDER LH TAIL LAMP UNIT
G14	JB	ENGINE COMPARTMENT / BEHIND POWER DISTRIBUTION FUSEBOX
G37	IP	BEHIND INSTRUMENT PANEL / RH SIDE OF CROSS CAR BEAM

FOR CONTROL MODULE PIN-OUT INFORMATION, UNFOLD PAGE TO LEFT.

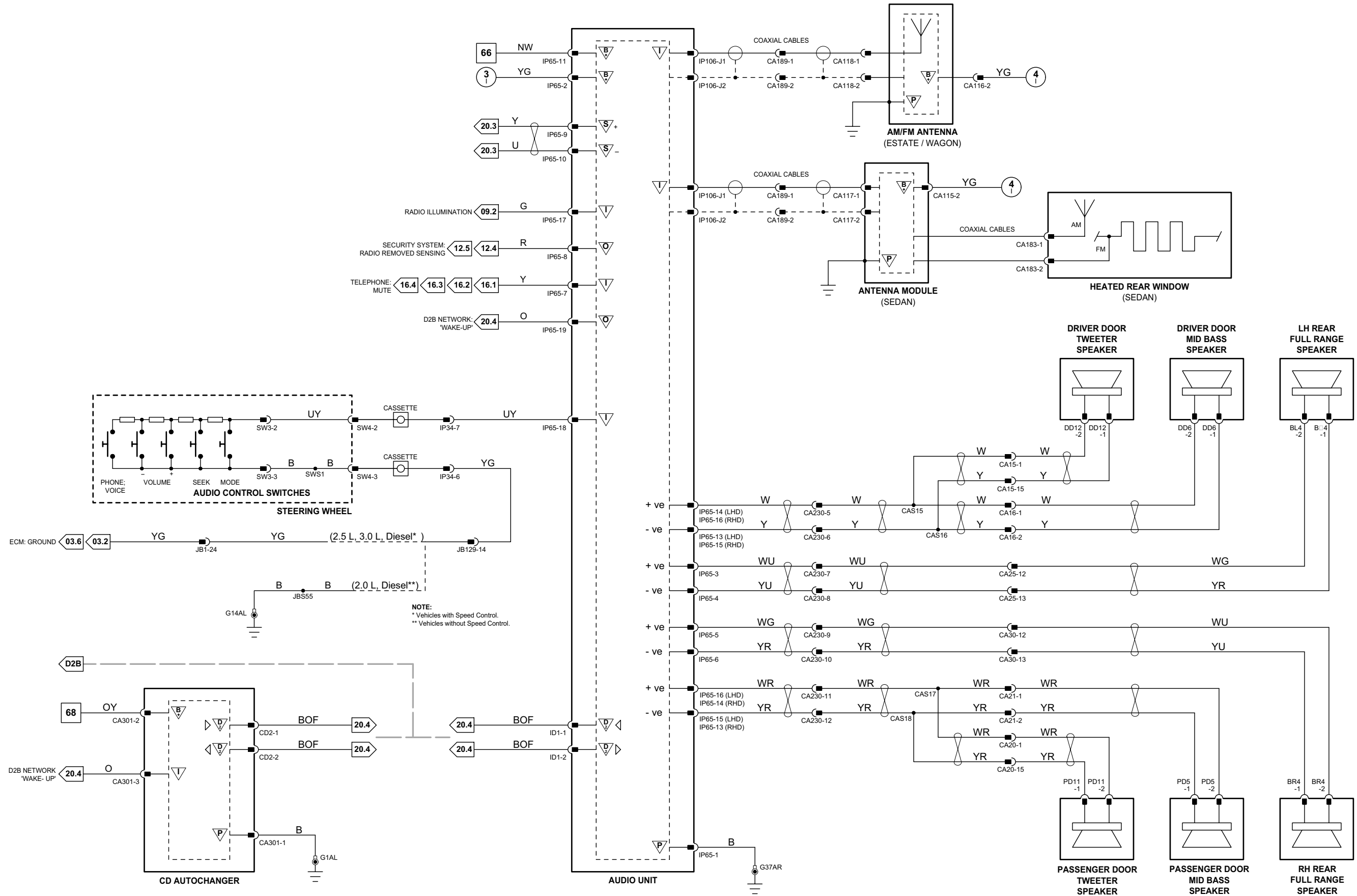
The following abbreviations are used to represent values for Control Module Pin-Out data

I	Input	PG	Power Ground	C	CAN Network	D	Serial and Encoded Data
O	Output	SS	Sensor / Signal Supply V	S	SCP Network	V	Voltage (DC)
B+	Battery Voltage	SG	Sensor / Signal Ground	D2	D2B Network	PWM	Pulse Width Modulated

CAUTION: The information on this data page is furnished to aid the user in understanding circuit operation. THIS INFORMATION SHOULD BE USED FOR REFERENCE ONLY.

NOTE: The values listed are approximately those that can be expected at the control module connector pins with all circuit connections made and all components connected and fitted.

Refer to the front of this book for detailed information and illustrations regarding the location and identification of harnesses, relays, fuses, grounds, control modules and control module pins.



NOTE:
 * Vehicles with Speed Control.
 ** Vehicles without Speed Control.

Audio Unit

	Pin	Description and Characteristic
D2	ID1-1	D2B NETWORK TRANSMIT
D2	ID1-2	D2B NETWORK RECEIVE
PG	IP65-01	POWER GROUND: GROUND
B+	IP65-02	IGNITION SWITCHED POWER SUPPLY (I): B+
I	IP65-07	TELEPHONE MUTE SIGNAL
O	IP65-08	SECURITY SYSTEM GROUND SENSING: GROUND WHEN AUDIO UNIT INSTALLED
S	IP65-09	SCP +
S	IP65-10	SCP -
B+	IP65-11	BATTERY POWER SUPPLY: B+
I	IP65-17	DIMMER CONTROLLED ILLUMINATION: PWM, 80 Hz. GROUND = 0% DUTY CYCLE, B+ = 100% DUTY CYCLE
I	IP65-18	STEERING WHEEL SWITCHES: STEPPED RESISTANCE
O	IP65-19	D2B NETWORK WAKE-UP

Fig. 15.2

COMPONENTS

Component	Connector(s)	Connector Description	Location
AM / FM ANTENNA - ESTATE (WAGON)	CA116	3-WAY / BLACK	ROOF CENTER REAR
	CA118	2-WAY / BLACK	
ANTENNA MODULE - SEDAN	CA115	3-WAY / BLACK	BEHIND LH 'E' POST TRIM
	CA117	2-WAY / BLACK	
AUDIO CONTROL SWITCHES	SW3	4-WAY / BLACK	STEERING WHEEL
AUDIO UNIT	ID1	2-WAY / D2B	INSTRUMENT PANEL CENTER
	IP65	20-WAY / BLACK	
	IP106	2-WAY / METALLIC	
CD AUTOCHANGER	CA301	3-WAY / BLACK	TRUNK / LH SIDE
	CD2	2-WAY / D2B	
HEATED REAR WINDOW - SEDAN	ZA1	1-WAY / BLACK	REAR WINDOW
	ZA10	1-WAY / BLACK	
MID BASS SPEAKER - DRIVER DOOR	DD6	2-WAY / WHITE	DRIVER DOOR CASING
MID BASS SPEAKER - LH REAR	BL4	2-WAY / WHITE	LH REAR DOR CASING
MID BASS SPEAKER - PASSENGER DOOR	PD5	2-WAY / WHITE	PASSENGER DOOR CASING
MID BASS SPEAKER - RH REAR	BR4	2-WAY / WHITE	RH REAR DOOR CASING
POWER AMPLIFIER	CA425	12-WAY / GREY	TRUNK, LH REAR
	CA426	18-WAY / BLACK	
	CD7	2-WAY / D2B	
SUB WOOFER - ESTATE (WAGON)	CA428	4-WAY / BLACK	RH REAR INTERIOR TRIM
SUB WOOFER 1 - SEDAN	CA427	4-WAY / WHITE	PARCEL SHELF
SUB WOOFER 2 - SEDAN	CA427	4-WAY / WHITE	PARCEL SHELF
TWEETER SPEAKER - DRIVER DOOR	DD12	2-WAY / WHITE	DRIVER DOOR CASING
TWEETER SPEAKER - LH REAR	BL7	2-WAY / WHITE	LH REAR DOOR CASING
TWEETER SPEAKER - PASSENGER DOOR	PD11	2-WAY / WHITE	PASSENGER DOOR CASING
TWEETER SPEAKER - RH REAR	BR9	2-WAY / WHITE	RH REAR DOOR CASING

HARNESS IN-LINE CONNECTORS

Connector	Connector Description / Location	Location
CA15	20-WAY / BLACK / CABIN HARNESS TO DRIVER DOOR HARNESS	DRIVER DOOR / DOOR CASING
CA16	20-WAY / BLACK / CABIN HARNESS TO DRIVER DOOR HARNESS	DRIVER DOOR / DOOR CASING
CA20	20-WAY / BLACK / CABIN HARNESS TO PASSENGER DOOR HARNESS	PASSENGER DOOR / DOOR CASING
CA21	20-WAY / BLACK / CABIN HARNESS TO PASSENGER DOOR HARNESS	PASSENGER DOOR / DOOR CASING
CA25	14-WAY / NATURAL / CABIN HARNESS TO LH REAR DOOR HARNESS	LH 'B/C' POST / 'B/C' POST TRIM
CA30	14-WAY / NATURAL / CABIN HARNESS TO RH REAR DOOR HARNESS	RH 'B/C' POST / 'B/C' POST TRIM
CA189	2-WAY / BLACK / CABIN HARNESS TO INSTRUMENT PANEL HARNESS	LH LOWER 'A' POST / 'A' POST TRIM
IP34	10-WAY / NATURAL / INSTRUMENT PANEL HARNESS TO STEERING WHEEL HARNESS	STEERING WHEEL CASSETTE
JB1	42-WAY / BLACK / ENGINE MANAGEMENT HARNESS TO JUNCTION BOX HARNESS	ENGINE COMPARTMENT / LH SIDE
JB129	22-WAY / GREY / JUNCTION BOX HARNESS TO INSTRUMENT PANEL HARNESS	BELOW INSTRUMENT PANEL / LH SIDE

GROUNDS

Ground	Harness	Location
G1	CA	TRUNK / UNDER LH TAIL LAMP UNIT
G14	JB	ENGINE COMPARTMENT / BEHIND POWER DISTRIBUTION FUSEBOX
G37	IP	BEHIND INSTRUMENT PANEL / RH SIDE OF CROSS CAR BEAM

FOR CONTROL MODULE PIN-OUT INFORMATION, UNFOLD PAGE TO LEFT.

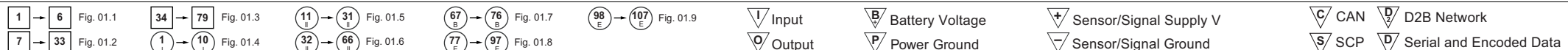
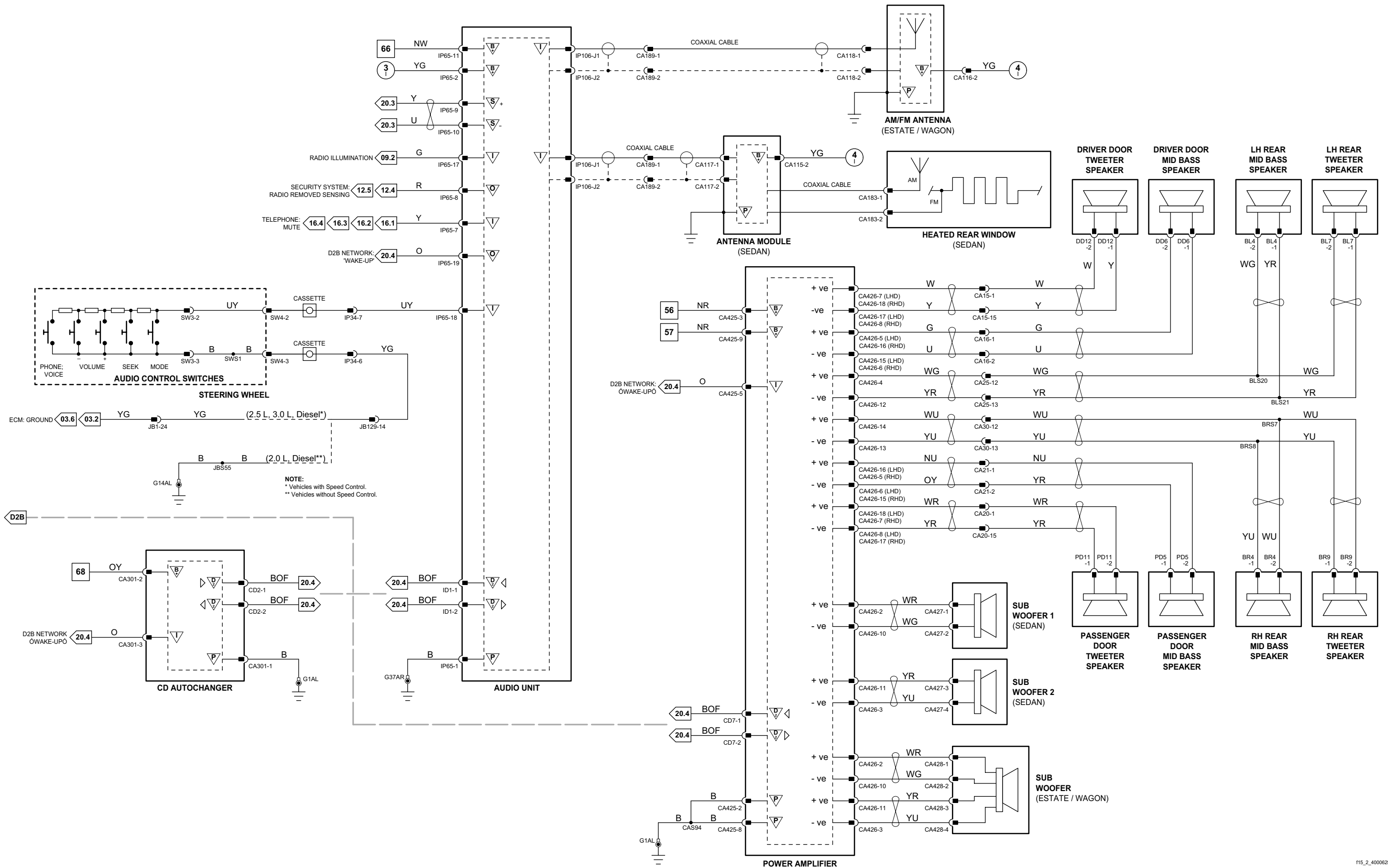
The following abbreviations are used to represent values for Control Module Pin-Out data

I	Input	PG	Power Ground	C	CAN Network	D	Serial and Encoded Data
O	Output	SS	Sensor / Signal Supply V	S	SCP Network	V	Voltage (DC)
B+	Battery Voltage	SG	Sensor / Signal Ground	D2	D2B Network	PWM	Pulse Width Modulated

CAUTION: The information on this data page is furnished to aid the user in understanding circuit operation. THIS INFORMATION SHOULD BE USED FOR REFERENCE ONLY.

NOTE: The values listed are approximately those that can be expected at the control module connector pins with all circuit connections made and all components connected and fitted.

Refer to the front of this book for detailed information and illustrations regarding the location and identification of harnesses, relays, fuses, grounds, control modules and control module pins.



VARIANT: Premium ICE Vehicles
 VIN RANGE: All
 DATE OF ISSUE: January 2007

Cellular Phone Module

	Pin	Description and Characteristic
I	CD3-1	D2B NETWORK RECEIVE
O	CD3-2	D2B NETWORK TRANSMIT
O	PH1-01	PHONE BATTERY CHARGING SUPPLY
O	PH1-02	AUDIO TRANSMIT
O	PH1-03	PHONE ON /OFF (RESPONSE TO INCOMING AUDIO)
O	PH1-04	MUTE COMMAND
	PH1-06	BATTERY FEEDBACK
PG	PH1-09	POWER GROUND: GROUND
SG	PH1-10	AUDIO GROUND
SG	PH1-11	MICROPHONE SHIELD: GROUND
B+	PH1-12	BATTERY POWER SUPPLY: B+
B+	PH1-13	BATTERY POWER SUPPLY: B+
B+	PH1-14	IGNITION SWITCHED POWER SUPPLY (I): B+
I	PH1-17	MICROPHONE +
I	PH1-18	MICROPHONE -
D	PH1-20	TELEPHONE SERIAL COMMUNICATIONS DATA
	PH1-21	SCREEN
D	PH1-22	TELEPHONE SERIAL COMMUNICATIONS DATA
I	PH1-23	D2B NETWORK WAKE-UP
I	PH1-25	POWER GROUND: GROUND
I	PH1-26	TELEPHONE LOGIC GROUND: GROUND
I	PH1-29	IGNITION SWITCHED POWER SUPPLY (II): B+

Fig. 16.1

COMPONENTS

Component	Connector(s)	Connector Description	Location
AUDIO UNIT	ID1	2-WAY / D2B	INSTRUMENT PANEL CENTER
	IP65	20-WAY / BLACK	
	IP106	2-WAY / METALLIC	
CELLULAR PHONE MODULE	CD3	2-WAY / D2B	TRUNK / LH SIDE
	PH1	32-WAY / BLACK	
	PH3	2-WAY / GREY	
	PH10	-	
BLUETOOTH UPGRADE MODULE	PH10	-	CENTER CONSOLE
NAVIGATION CONTROL MODULE	CD5	2-WAY / D2B	TRUNK, LH REAR
	NA1	26-WAY / WHITE	
	NA2	12-WAY / BLACK	
	NA6	2-WAY / GREY	
	NA7	20-WAY / BLACK	
ROOF CONSOLE - PRINTED CIRCUIT BOARD	RC23	20-WAY / WHITE	ROOF CENTER FRONT
ROOF CONSOLE - WITHOUT PRINTED CIRCUIT BOARD	RC30	4-WAY / BLACK	ROOF CENTER FRONT
	RC31	2-WAY / BLACK	
	RC33	4-WAY / BLACK	
	RC34	6-WAY / BLACK	
TELEMATICS DISPLAY	IP70	22-WAY / BLACK	CENTER CONSOLE
	IP136	2-WAY / METALLIC	
	IP137	2-WAY / METALLIC	
	IP138	2-WAY / METALLIC	
	IP139	2-WAY / METALLIC	
	PH15	2-WAY / GREY	
TELEPHONE ANTENNA - ESTATE (WAGON): AM / FM	PH15	2-WAY / GREY	ROOF CENTER REAR
TELEPHONE ANTENNA - SEDAN: BUMPER	-	-	REAR BUMPER

HARNES IN-LINE CONNECTORS

Connector	Connector Description / Location	Location
CA1	22-WAY / NATURAL / INSTRUMENT PANEL HARNESS TO CABIN HARNESS	LH 'A' POST / 'A' POST TRIM
CA40	16-WAY / GREY / CABIN HARNESS TO ROOF HARNESS	RH 'A' POST / WINDSHIELD PILLAR
CA230	16-WAY / BLUE / CABIN HARNESS TO INSTRUMENT PANEL HARNESS	LH LOWER 'A' POST / 'A' POST TRIM
CA406	3-WAY / GREY / NAVIGATION HARNESS TO CABIN HARNESS	BELOW LH REAR SEAT CUSHION
CA407	16-WAY / GREY / CELLULAR PHONE HARNESS TO CABIN HARNESS	BELOW LH REAR SEAT CUSHION
CA414	16-WAY / BLUE / NAVIGATION HARNESS TO CABIN HARNESS	BELOW LH REAR SEAT CUSHION

GROUNDS

Ground	Harness	Location
G39	PH	TRUNK / LH QUARTER PANEL

FOR CONTROL MODULE PIN-OUT INFORMATION, UNFOLD PAGE TO LEFT.

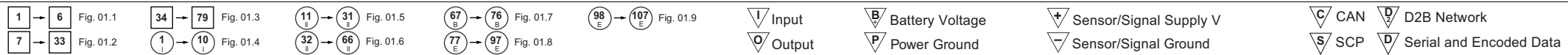
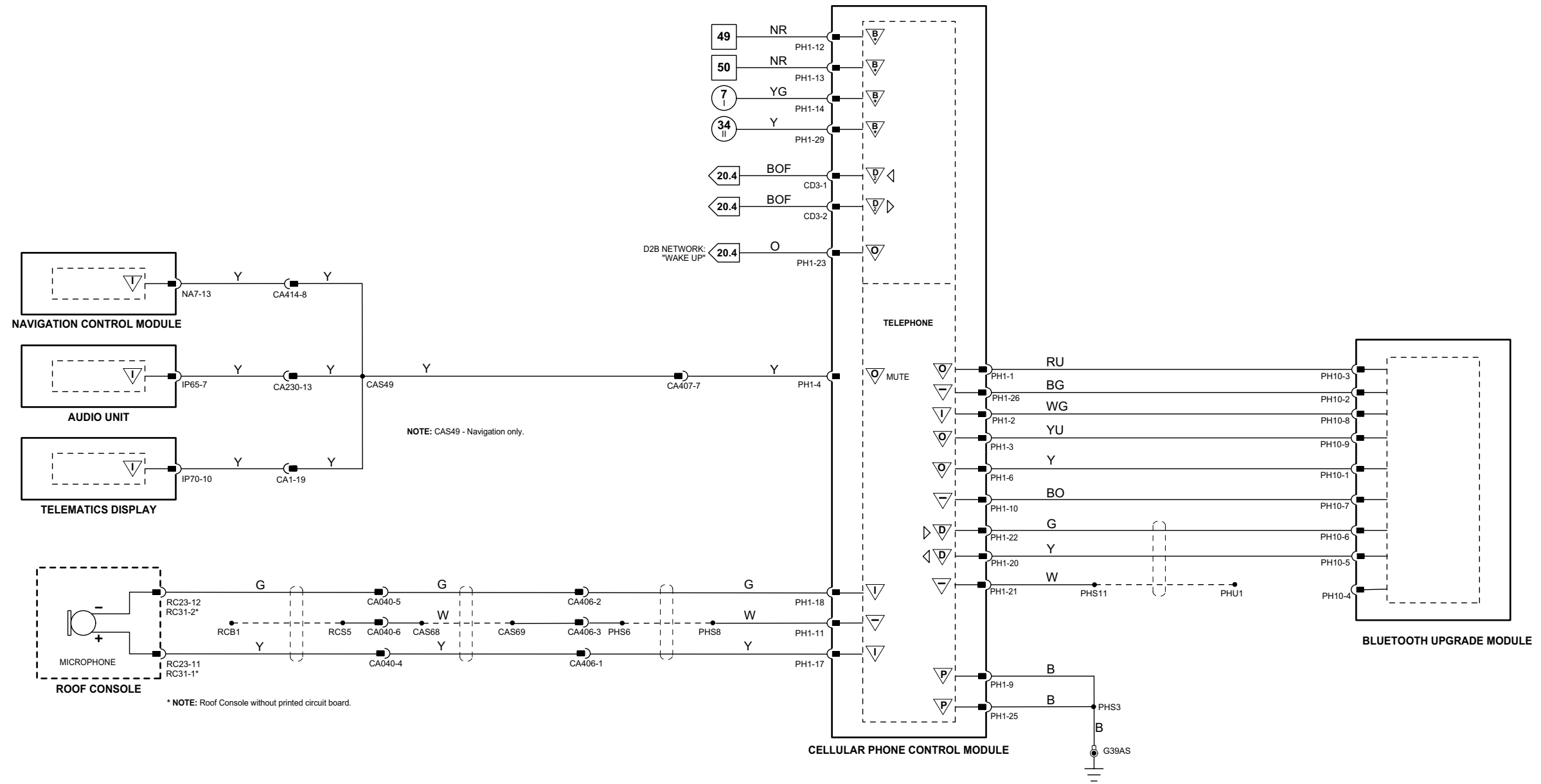
The following abbreviations are used to represent values for Control Module Pin-Out data

I	Input	PG	Power Ground	C	CAN Network	D	Serial and Encoded Data
O	Output	SS	Sensor / Signal Supply V	S	SCP Network	V	Voltage (DC)
B+	Battery Voltage	SG	Sensor / Signal Ground	D2	D2B Network	PWM	Pulse Width Modulated

CAUTION: The information on this data page is furnished to aid the user in understanding circuit operation. THIS INFORMATION SHOULD BE USED FOR REFERENCE ONLY.

NOTE: The values listed are approximately those that can be expected at the control module connector pins with all circuit connections made and all components connected and fitted.

Refer to the front of this book for detailed information and illustrations regarding the location and identification of harnesses, relays, fuses, grounds, control modules and control module pins.



VARIANT: ROW Vehicles
VIN RANGE: All
DATE OF ISSUE: January 2007

Fig. 16.2

Cellular Phone Module

	Pin	Description and Characteristic
I	CD3-1	D2B NETWORK RECEIVE
O	CD3-2	D2B NETWORK TRANSMIT
O	PH1-01	PHONE BATTERY CHARGING SUPPLY
O	PH1-02	AUDIO TRANSMIT
O	PH1-03	PHONE ON /OFF (RESPONSE TO INCOMING AUDIO)
O	PH1-04	MUTE COMMAND
I	PH1-06	BATTERY FEEDBACK
PG	PH1-09	POWER GROUND: GROUND
SG	PH1-10	AUDIO GROUND
SG	PH1-11	MICROPHONE SHIELD: GROUND
B+	PH1-12	BATTERY POWER SUPPLY: B+
B+	PH1-13	BATTERY POWER SUPPLY: B+
B+	PH1-14	IGNITION SWITCHED POWER SUPPLY (I): B+
I	PH1-17	MICROPHONE +
I	PH1-18	MICROPHONE -
D	PH1-20	TELEPHONE SERIAL COMMUNICATIONS DATA SCREEN
D	PH1-21	TELEPHONE SERIAL COMMUNICATIONS DATA SCREEN
I	PH1-22	D2B NETWORK WAKE-UP
I	PH1-23	D2B NETWORK WAKE-UP
I	PH1-25	POWER GROUND: GROUND
I	PH1-26	TELEPHONE LOGIC GROUND: GROUND
I	PH1-29	IGNITION SWITCHED POWER SUPPLY (II): B+

Voice Activation Module

	Pin	Description and Characteristic
D2	CD2-2	D2B NETWORK RECEIVE
D2	CD4-1	D2B NETWORK TRANSMIT
I	PH2-01	MICROPHONE +
SG	PH2-02	MICROPHONE SHIELD
I	PH2-03	MICROPHONE +
B+	PH2-06	IGNITION SWITCHED POWER SUPPLY (II) (START / RUN STATUS)
B+	PH2-08	IGNITION SWITCHED POWER SUPPLY (I)
PG	PH2-11	POWER GROUND
I	PH2-12	MICROPHONE -
O	PH2-13	MICROPHONE -
O	PH2-14	D2B NETWORK WAKE UP
SG	PH2-15	MICROPHONE SHIELD
B+	PH2-22	BATTERY POWER SUPPLY: B+

COMPONENTS

Component	Connector(s)	Connector Description	Location
AUDIO UNIT	ID1	2-WAY / D2B	INSTRUMENT PANEL CENTER
	IP65	20-WAY / BLACK	
	IP106	2-WAY / METALLIC	
CELLULAR PHONE CONTROL MODULE	CD3	2-WAY / D2B	TRUNK / LH SIDE
	PH1	32-WAY / BLACK	
BLUETOOTH UPGRADE MODULE	PH10	-	CENTER CONSOLE
NAVIGATION CONTROL MODULE	CD5	2-WAY / D2B	TRUNK, LH REAR
	NA1	26-WAY / WHITE	
	NA2	12-WAY / BLACK	
	NA6	2-WAY / GREY	
	NA7	20-WAY / BLACK	
	RC23	20-WAY / WHITE	
	RC30	4-WAY / BLACK	
ROOF CONSOLE - PRINTED CIRCUIT BOARD	RC23	20-WAY / WHITE	ROOF CENTER FRONT
ROOF CONSOLE - WITHOUT PRINTED CIRCUIT BOARD	RC30	4-WAY / BLACK	ROOF CENTER FRONT
	RC31	2-WAY / BLACK	
	RC33	4-WAY / BLACK	
	RC34	6-WAY / BLACK	
STEERING WHEEL	SW4	6-WAY / BLACK	STEERING COLUMN
TELEMATICS DISPLAY	IP70	22-WAY / BLACK	CENTER CONSOLE
	IP136	2-WAY / METALLIC	
	IP137	2-WAY / METALLIC	
	IP138	2-WAY / METALLIC	
	IP139	2-WAY / METALLIC	
	PH15	2-WAY / GREY	
	PH2	22-WAY / BLACK	
TELEPHONE ANTENNA - ESTATE (WAGON): AM / FM	PH15	2-WAY / GREY	ROOF CENTER REAR
TELEPHONE ANTENNA - SEDAN: BUMPER	-	-	REAR BUMPER
VOICE ACTIVATION MODULE	CD4	2-WAY / D2B	TRUNK, LH REAR
	PH2	22-WAY / BLACK	

HARNESS IN-LINE CONNECTORS

Connector	Connector Description / Location	Location
CA1	22-WAY / NATURAL / INSTRUMENT PANEL HARNESS TO CABIN HARNESS	LH 'A' POST / 'A' POST TRIM
CA40	16-WAY / GREY / CABIN HARNESS TO ROOF HARNESS	RH 'A' POST / WINDSHIELD PILLAR
CA230	16-WAY / BLUE / CABIN HARNESS TO INSTRUMENT PANEL HARNESS	LH LOWER 'A' POST / 'A' POST TRIM
CA406	3-WAY / GREY / NAVIGATION HARNESS TO CABIN HARNESS	BELOW LH REAR SEAT CUSHION
CA407	16-WAY / GREY / CELLULAR PHONE HARNESS TO CABIN HARNESS	BELOW LH REAR SEAT CUSHION
CA414	16-WAY / BLUE / NAVIGATION HARNESS TO CABIN HARNESS	BELOW LH REAR SEAT CUSHION
IP34	10-WAY / NATURAL / INSTRUMENT PANEL HARNESS TO STEERING WHEEL HARNESS	STEERING WHEEL CASSETTE
JB1	42-WAY / BLACK / ENGINE MANAGEMENT HARNESS TO JUNCTION BOX HARNESS	ENGINE COMPARTMENT / LH SIDE
JB129	22-WAY / GREY / JUNCTION BOX HARNESS TO INSTRUMENT PANEL HARNESS	BELOW INSTRUMENT PANEL / LH SIDE
PH11	10-WAY / GREY / CELLULAR PHONE LINK LEAD	LH LOWER 'A' POST / 'A' POST TRIM

GROUNDS

Ground	Harness	Location
G14	JB	ENGINE COMPARTMENT / BEHIND POWER DISTRIBUTION FUSEBOX
G39	PH	TRUNK / LH QUARTER PANEL

FOR CONTROL MODULE PIN-OUT INFORMATION, UNFOLD PAGE TO LEFT.

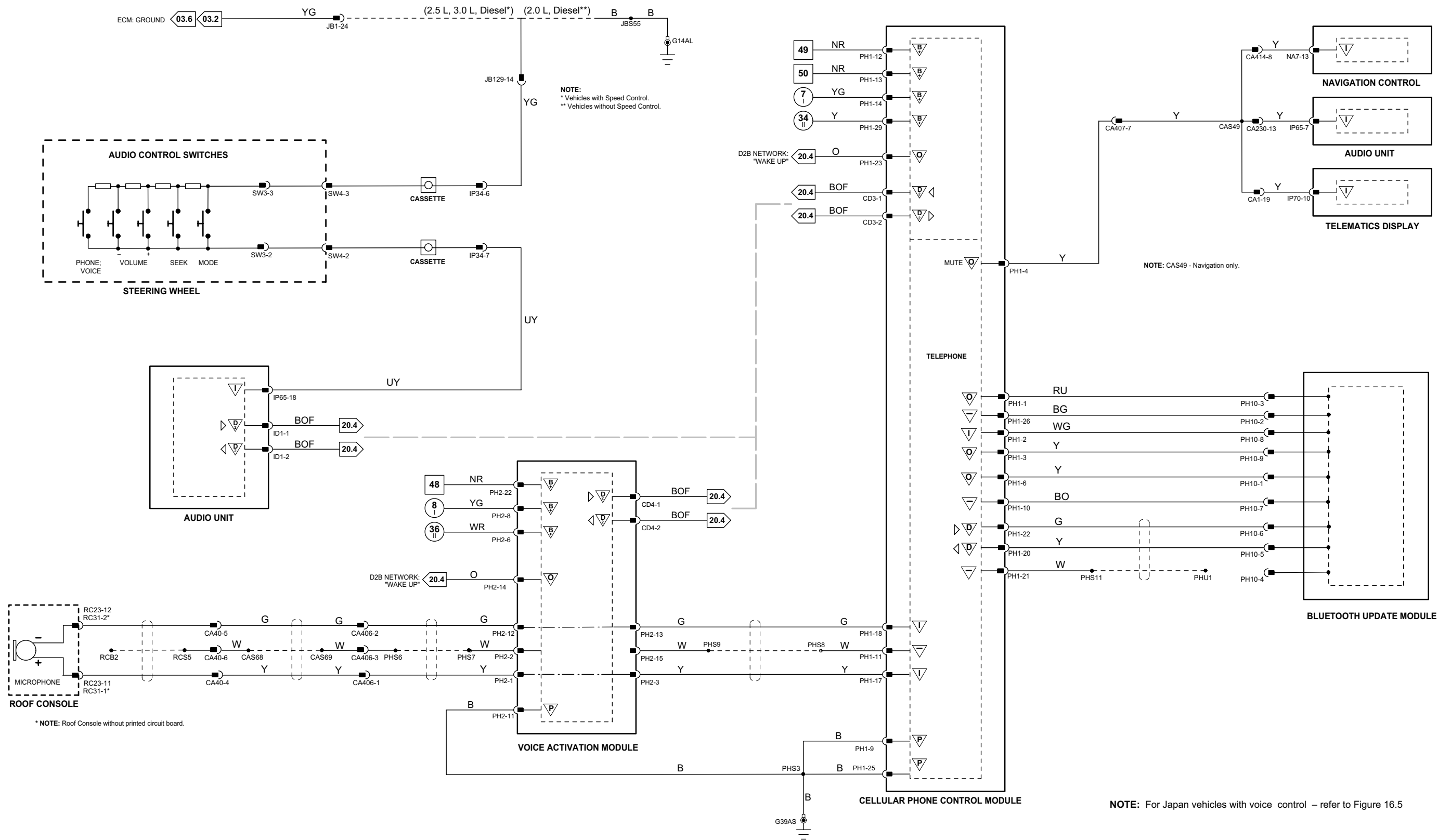
The following abbreviations are used to represent values for Control Module Pin-Out data

I	Input	PG	Power Ground	C	CAN Network	D	Serial and Encoded Data
O	Output	SS	Sensor / Signal Supply V	S	SCP Network	V	Voltage (DC)
B+	Battery Voltage	SG	Sensor / Signal Ground	D2	D2B Network	PWM	Pulse Width Modulated

CAUTION: The information on this data page is furnished to aid the user in understanding circuit operation. THIS INFORMATION SHOULD BE USED FOR REFERENCE ONLY.

NOTE: The values listed are approximately those that can be expected at the control module connector pins with all circuit connections made and all components connected and fitted.

Refer to the front of this book for detailed information and illustrations regarding the location and identification of harnesses, relays, fuses, grounds, control modules and control module pins.



Voice Activation Module

	Pin	Description and Characteristic
D2	CD2-2	D2B NETWORK RECEIVE
D2	CD4-1	D2B NETWORK TRANSMIT
I	PH2-01	MICROPHONE +
SG	PH2-02	MICROPHONE SHIELD
I	PH2-03	MICROPHONE +
B+	PH2-06	IGNITION SWITCHED POWER SUPPLY (II) (START / RUN STATUS)
B+	PH2-08	IGNITION SWITCHED POWER SUPPLY (I)
PG	PH2-11	POWER GROUND
I	PH2-12	MICROPHONE -
O	PH2-13	MICROPHONE -
O	PH2-14	D2B NETWORK WAKE UP
SG	PH2-15	MICROPHONE SHIELD
B+	PH2-22	BATTERY POWER SUPPLY: B+

Fig. 16.3

COMPONENTS

Component	Connector(s)	Connector Description	Location
AUDIO UNIT	ID1 IP65 IP106	2-WAY / D2B 20-WAY / BLACK 2-WAY / METALLIC	INSTRUMENT PANEL CENTER
VOICE ACTIVATION MODULE	CD4 PH2	2-WAY / D2B 22-WAY / BLACK	TRUNK, LH REAR
ROOF CONSOLE - PRINTED CIRCUIT BOARD	RC23	20-WAY / WHITE	ROOF CENTER FRONT
ROOF CONSOLE - WITHOUT PRINTED CIRCUIT BOARD	RC30 RC31 RC33 RC34	4-WAY / BLACK 2-WAY / BLACK 4-WAY / BLACK 6-WAY / BLACK	ROOF CENTER FRONT
STEERING WHEEL	SW4	6-WAY / BLACK	STEERING COLUMN

HARNESS IN-LINE CONNECTORS

Connector	Connector Description / Location	Location
CA40	16-WAY / GREY / CABIN HARNESS TO ROOF HARNESS	RH 'A' POST / WINDSHIELD PILLAR
CA406	3-WAY / GREY / NAVIGATION HARNESS TO CABIN HARNESS	BELOW LH REAR SEAT CUSHION
IP34	10-WAY / NATURAL / INSTRUMENT PANEL HARNESS TO STEERING WHEEL HARNESS	STEERING WHEEL CASSETTE
JB1	42-WAY / BLACK / ENGINE MANAGEMENT HARNESS TO JUNCTION BOX HARNESS	ENGINE COMPARTMENT / LH SIDE
JB129	22-WAY / GREY / JUNCTION BOX HARNESS TO INSTRUMENT PANEL HARNESS	BELOW INSTRUMENT PANEL / LH SIDE

GROUNDS

Ground	Harness	Location
G39	PH	TRUNK / LH QUARTER PANEL

FOR CONTROL MODULE PIN-OUT INFORMATION, UNFOLD PAGE TO LEFT.

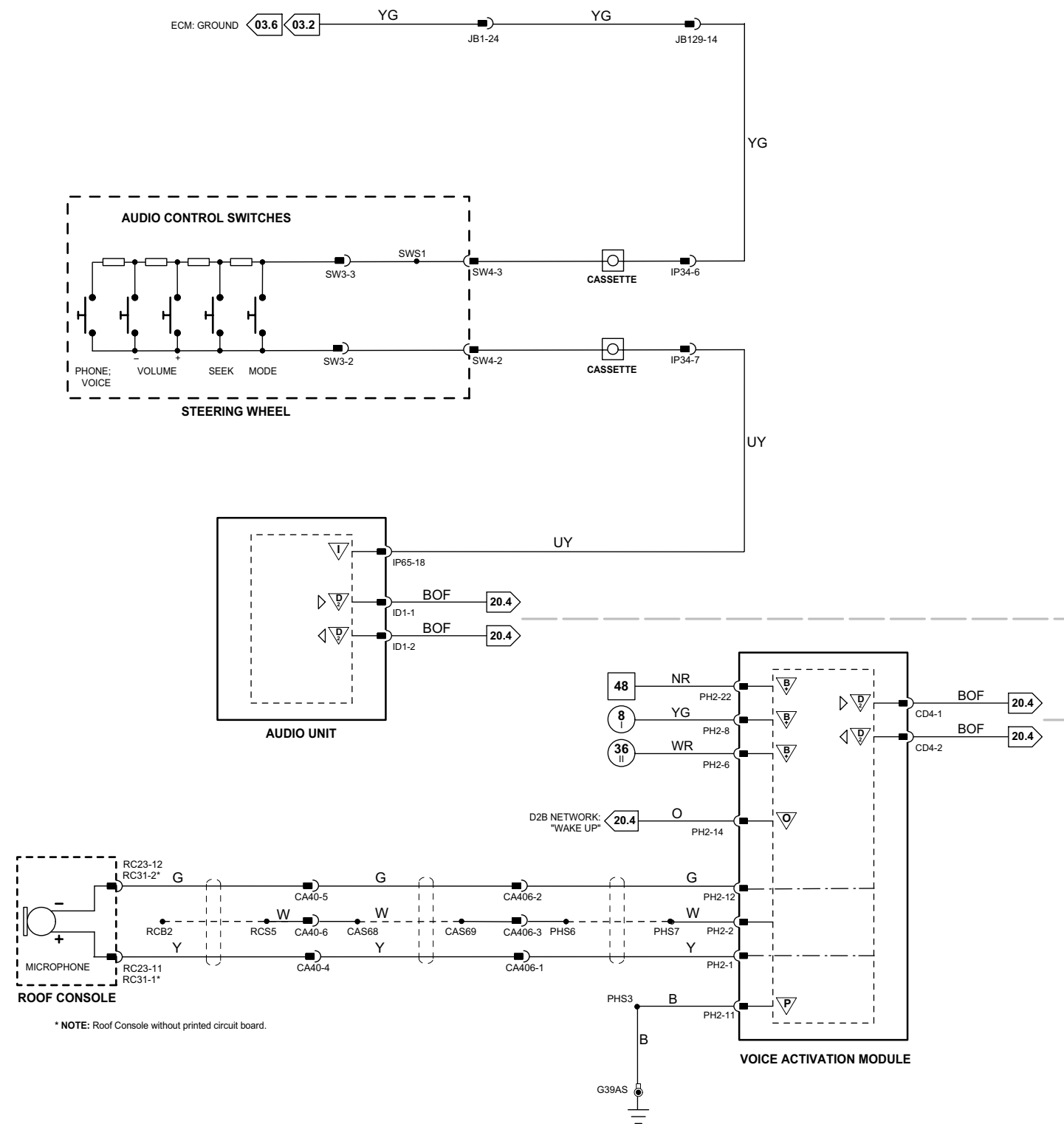
The following abbreviations are used to represent values for Control Module Pin-Out data

I	Input	PG	Power Ground	C	CAN Network	D	Serial and Encoded Data
O	Output	SS	Sensor / Signal Supply V	S	SCP Network	V	Voltage (DC)
B+	Battery Voltage	SG	Sensor / Signal Ground	D2	D2B Network	PWM	Pulse Width Modulated

CAUTION: The information on this data page is furnished to aid the user in understanding circuit operation. THIS INFORMATION SHOULD BE USED FOR REFERENCE ONLY.

NOTE: The values listed are approximately those that can be expected at the control module connector pins with all circuit connections made and all components connected and fitted.

Refer to the front of this book for detailed information and illustrations regarding the location and identification of harnesses, relays, fuses, grounds, control modules and control module pins.



NOTE: For Japan vehicles with Voice Activation Control, refer to Figure 16.5.

Fig. 16.4**COMPONENTS**

Component	Connector(s)	Connector Description	Location
NAVIGATION CONTROL MODULE	CD5	2-WAY / D2B	TRUNK, LH REAR
	NA1	26-WAY / WHITE	
	NA2	12-WAY / BLACK	
	NA6	2-WAY / GREY	
	NA7	20-WAY / BLACK	
	WG9	2-WAY / BLACK	UNDER REAR SPOILER / LH SIDE
	NA12	2-WAY / GREY	BELOW PARCEL SHELF / LH SIDE
NAVIGATION GPS ANTENNA – ESTATE (WAGON)	IP70	22-WAY / BLACK	CENTER CONSOLE
NAVIGATION GPS ANTENNA – SEDAN	IP136	2-WAY / METALLIC	
TELEMATICS DISPLAY	IP137	2-WAY / METALLIC	
	IP138	2-WAY / METALLIC	
	IP139	2-WAY / METALLIC	
TV ANTENNA AND AMPLIFIER 1	TV1	2-WAY / METALLIC	REAR ROOF TRIM, ABOVE FIXED GLASS
TV ANTENNA AND AMPLIFIER 2	TV2	2-WAY / METALLIC	REAR ROOF TRIM, ABOVE FIXED GLASS
TV ANTENNA AND AMPLIFIER 3	TV3	2-WAY / METALLIC	REAR ROOF TRIM, ABOVE FIXED GLASS
TV ANTENNA AND AMPLIFIER 4	TV4	2-WAY / METALLIC	REAR ROOF TRIM, ABOVE FIXED GLASS

HARNESS IN-LINE CONNECTORS

Connector	Connector Description / Location	Location
NA24	16-WAY / GREEN / INSTRUMENT PANEL HARNESS TO NAVIGATION HARNESS	BELOW INSTRUMENT PANEL / LH SIDE
NA25	8-WAY / GREY / INSTRUMENT PANEL HARNESS TO NAVIGATION HARNESS	BELOW INSTRUMENT PANEL / LH SIDE
NA26	2-WAY / BLACK / NAVIGATION HARNESS TO TAIL GATE GLASS HARNESS	SPORTS BRAKE GPS ANTENNA

GROUNDS

Ground	Harness	Location
G37	IP	BEHIND INSTRUMENT PANEL / RH SIDE OF CROSS CAR BEAM
G40	NA	TRUNK / LH QUARTER PANEL

Refer to the front of this book for detailed information and illustrations regarding the location and identification of harnesses, relays, fuses, grounds, control modules and control module pins.

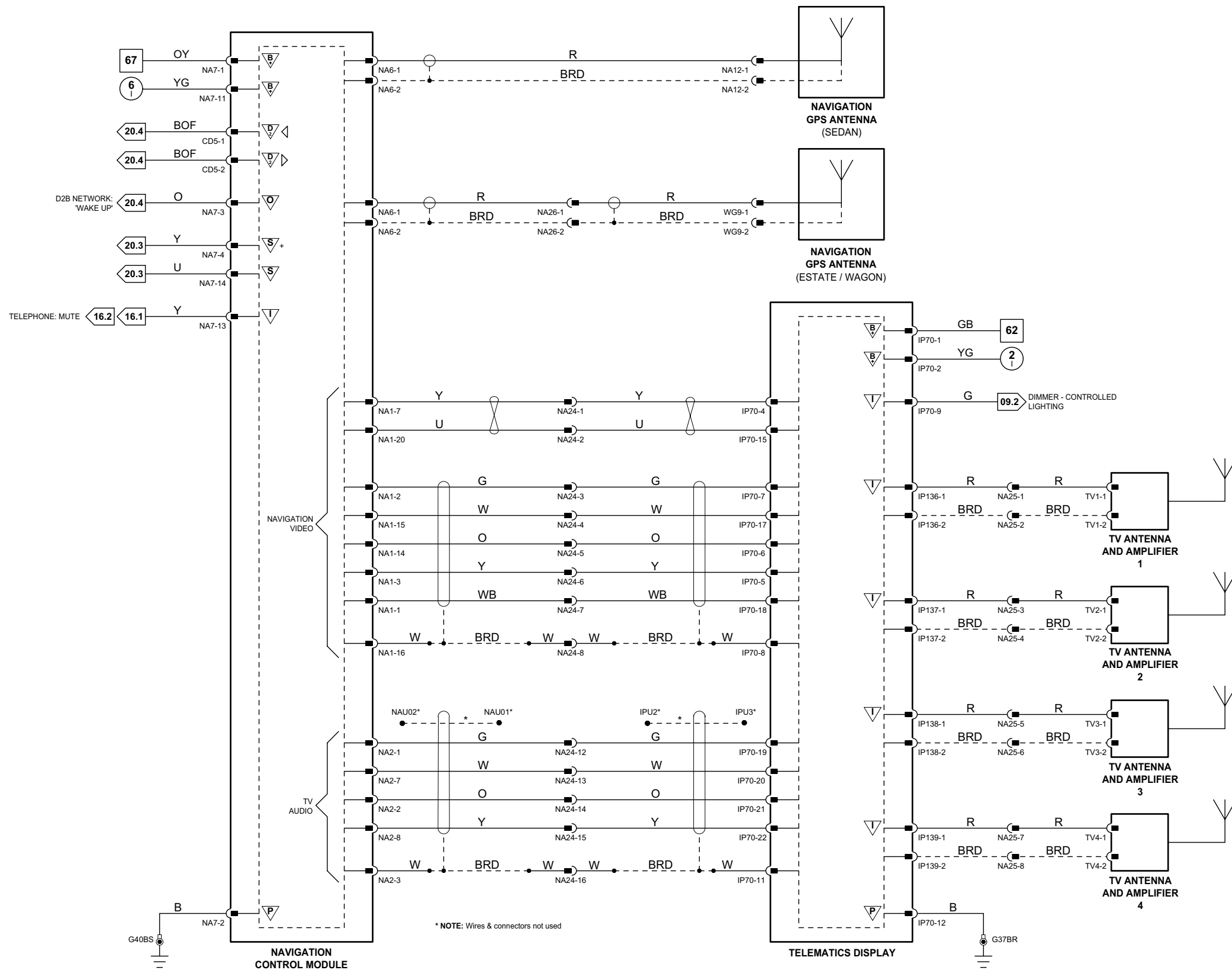


Fig. 16.5**COMPONENTS**

Component	Connector(s)	Connector Description	Location
NAVIGATION CONTROL MODULE	CD5	2-WAY / D2B	TRUNK, LH REAR
	NA1	26-WAY / WHITE	
	NA2	12-WAY / BLACK	
	NA6	2-WAY / GREY	
	NA7	20-WAY / BLACK	
	WG9	2-WAY / BLACK	UNDER REAR SPOILER / LH SIDE
	NA12	2-WAY / GREY	BELOW PARCEL SHELF / LH SIDE
NAVIGATION GPS ANTENNA – ESTATE (WAGON)	WG9	2-WAY / BLACK	UNDER REAR SPOILER / LH SIDE
NAVIGATION GPS ANTENNA – SEDAN	NA12	2-WAY / GREY	BELOW PARCEL SHELF / LH SIDE
ROOF CONSOLE – PRINTED CIRCUIT BOARD	RC23	20-WAY / WHITE	ROOF CENTER FRONT
ROOF CONSOLE – WITHOUT PRINTED CIRCUIT BOARD	RC30	4-WAY / BLACK	ROOF CENTER FRONT
	RC31	2-WAY / BLACK	
	RC33	4-WAY / BLACK	
	RC34	6-WAY / BLACK	
TELEMATICS DISPLAY	IP70	22-WAY / BLACK	CENTER CONSOLE
	IP136	2-WAY / METALLIC	
	IP137	2-WAY / METALLIC	
	IP138	2-WAY / METALLIC	
	IP139	2-WAY / METALLIC	
	TV1	2-WAY / METALLIC	REAR ROOF TRIM, ABOVE FIXED GLASS
TV ANTENNA AND AMPLIFIER 1	TV1	2-WAY / METALLIC	REAR ROOF TRIM, ABOVE FIXED GLASS
TV ANTENNA AND AMPLIFIER 2	TV2	2-WAY / METALLIC	REAR ROOF TRIM, ABOVE FIXED GLASS
TV ANTENNA AND AMPLIFIER 3	TV3	2-WAY / METALLIC	REAR ROOF TRIM, ABOVE FIXED GLASS
TV ANTENNA AND AMPLIFIER 4	TV4	2-WAY / METALLIC	REAR ROOF TRIM, ABOVE FIXED GLASS
VEHICLE INFORMATION ANTENNA AND AMPLIFIER	NA11	2-WAY / METALLIC	SEDAN: BEHIND RH 'E' POST ESTATE (WAGON): REAR ROOF TRIM ABOVE FIXED GLASS / LH SIDE
VEHICLE INFORMATION CONTROL MODULE	NA8	2-WAY / METALLIC	
	NA9	10-WAY / NATURAL	
	NA10	2-WAY / METALLIC	
	CA222	2-WAY / METALLIC	TOP OF INSTRUMENT PANEL / LH SIDE

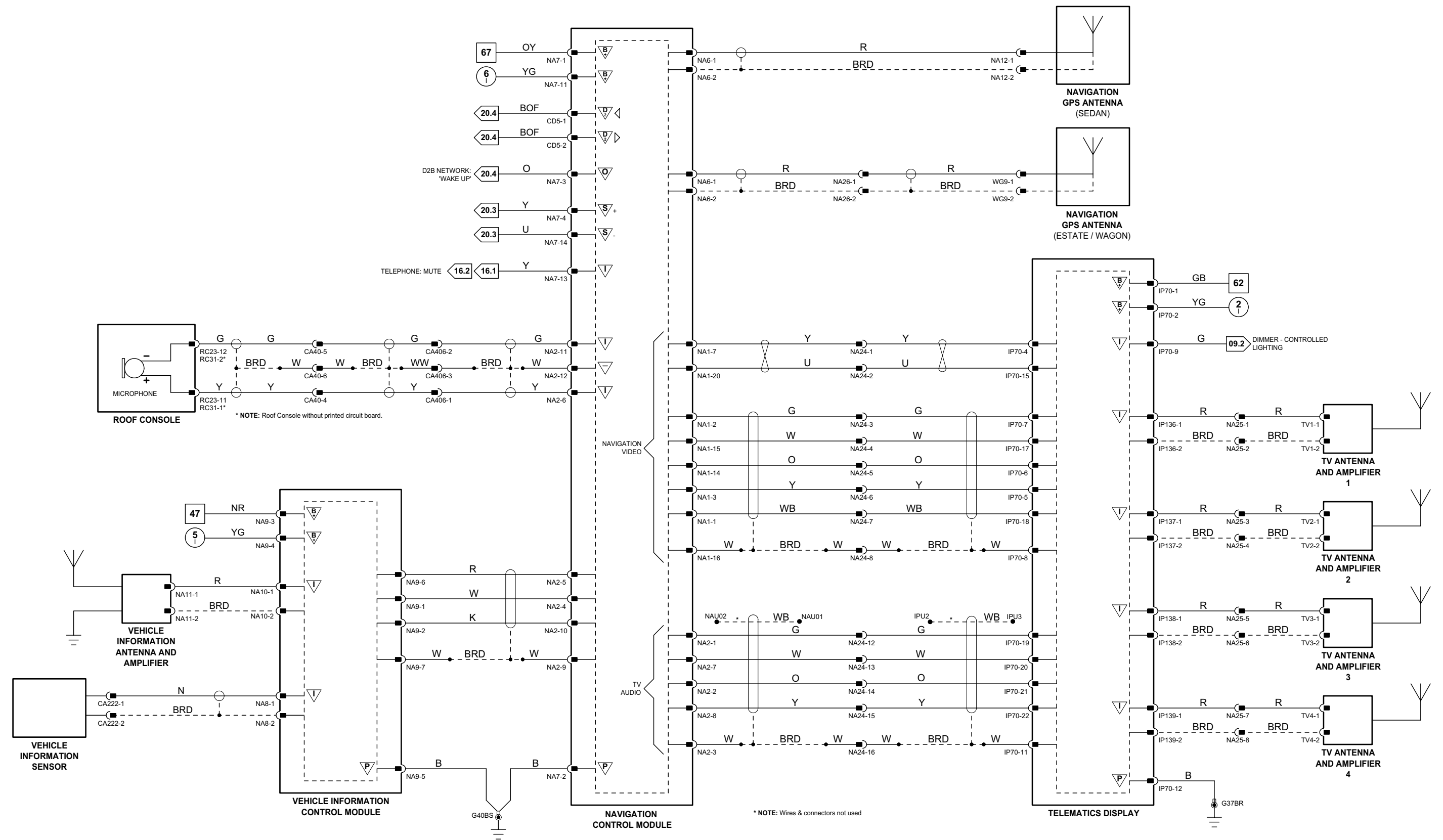
HARNES IN-LINE CONNECTORS

Connector	Connector Description / Location	Location
CA40	16-WAY / GREY / CABIN HARNESS TO ROOF HARNESS	RH 'A' POST / WINDSHIELD PILLAR
CA406	3-WAY / GREY / NAVIGATION HARNESS TO CABIN HARNESS	BELOW LH REAR SEAT CUSHION
NA24	16-WAY / GREEN / INSTRUMENT PANEL HARNESS TO NAVIGATION HARNESS	BELOW INSTRUMENT PANEL / LH SIDE
NA25	8-WAY / GREY / INSTRUMENT PANEL HARNESS TO NAVIGATION HARNESS	BELOW INSTRUMENT PANEL / LH SIDE
NA26	2-WAY / BLACK / NAVIGATION HARNESS TO TAIL GATE GLASS HARNESS	SPORTS BRAKE GPS ANTENNA

GROUNDS

Ground	Harness	Location
G37	IP	BEHIND INSTRUMENT PANEL / RH SIDE OF CROSS CAR BEAM
G40	NA	TRUNK / LH QUARTER PANEL

Refer to the front of this book for detailed information and illustrations regarding the location and identification of harnesses, relays, fuses, grounds, control modules and control module pins.



1 → 6 Fig. 01.1	34 → 79 Fig. 01.3	11 → 31 Fig. 01.5	67 → 76 Fig. 01.7	98 → 107 Fig. 01.9	▽ Input	▽ Battery Voltage	▽ Sensor/Signal Supply V	▽ CAN	▽ D2B Network
7 → 33 Fig. 01.2	1 → 10 Fig. 01.4	32 → 66 Fig. 01.6	77 → 97 Fig. 01.8		▽ Output	▽ Power Ground	▽ Sensor/Signal Ground	▽ SCP	▽ Serial and Encoded Data

VARIANT: Japan Vehicles
VIN RANGE: All
DATE OF ISSUE: January 2007

Fig. 17.1**COMPONENTS**

Component	Connector(s)	Connector Description	Location
CURTAIN AIRBAG IGNITER – DRIVER	CA144	2-WAY / BLACK	DRIVER SIDE 'E' POST
CURTAIN AIRBAG IGNITER – PASSENGER	CA145	2-WAY / BLACK	PASSENGER SIDE 'E' POST
DUAL AIRBAG IGNITERS – DRIVER	SW1	2-WAY / BLACK	STEERING WHEEL
	SW2	2-WAY / BLACK	
DUAL AIRBAG IGNITERS – PASSENGER	IP36	2-WAY / BROWN	INSTRUMENT PANEL PASSENGER SIDE
	IP37	2-WAY / BROWN	
IMPACT SENSOR – FRONT	JB93	2-WAY / BLACK	ADJACENT TO HOOD CATCH
PASSENGER AIRBAG DEACTIVATED INDICATOR LAMP	IP140	4-WAY / BLACK	PASSENGER AIRBAG COVER
PASSENGER SEAT WEIGHT PRESSURE SENSOR	WS18	3-WAY / BLACK	PASSENGER SEAT CUSHION
PASSENGER SEAT WEIGHT SENSING MODULE	WS17	10-WAY / BLACK	UNDER PASSENGER SEAT
RESTRAINTS CONTROL MODULE – FRONT WHEEL DRIVE VEHICLES	CA165	40-WAY / BLACK	UNDER CENTER CONSOLE
	IP74	24-WAY / BLACK	
SEAT BELT BUCKLE PRETENSIONER IGNITER – DRIVER	CA65	18-WAY / BLACK	DRIVER SEAT BELT BUCKLE
SEAT BELT BUCKLE PRETENSIONER IGNITER – PASSENGER	CA70	18-WAY / BLACK	PASSENGER SEAT BELT BUCKLE
SEAT BELT SWITCH – DRIVER	CA65	18-WAY / BLACK	DRIVER SEAT BELT BUCKLE
SEAT BELT SWITCH – PASSENGER	CA70	18-WAY / BLACK	PASSENGER SEAT BELT BUCKLE
SEAT POSITION SWITCH – DRIVER	CA65	18-WAY / BLACK	DRIVER SEAT TRACK
SIDE AIRBAG IGNITER – DRIVER	AL1	2-WAY / BLACK	DRIVER SEAT BACK
SIDE AIRBAG IGNITER – PASSENGER	AD1	2-WAY / BLACK	PASSENGER SEAT BACK
SIDE IMPACT SENSOR – DRIVER	CA215	2-WAY / BLACK	DRIVER SIDE LOWER 'B/C' POST
SIDE IMPACT SENSOR – DRIVER REAR	CA140	2-WAY / BLACK	ADJACENT TO DRIVER SIDE REAR LOWER SAFETY BELT ANCHOR
SIDE IMPACT SENSOR – PASSENGER	CA216	2-WAY / BLACK	PASSENGER SIDE LOWER 'B/C' POST
SIDE IMPACT SENSOR – PASSENGER REAR	CA131	2-WAY / BLACK	ADJACENT TO PASSENGER SIDE REAR LOWER SAFETY BELT ANCHOR

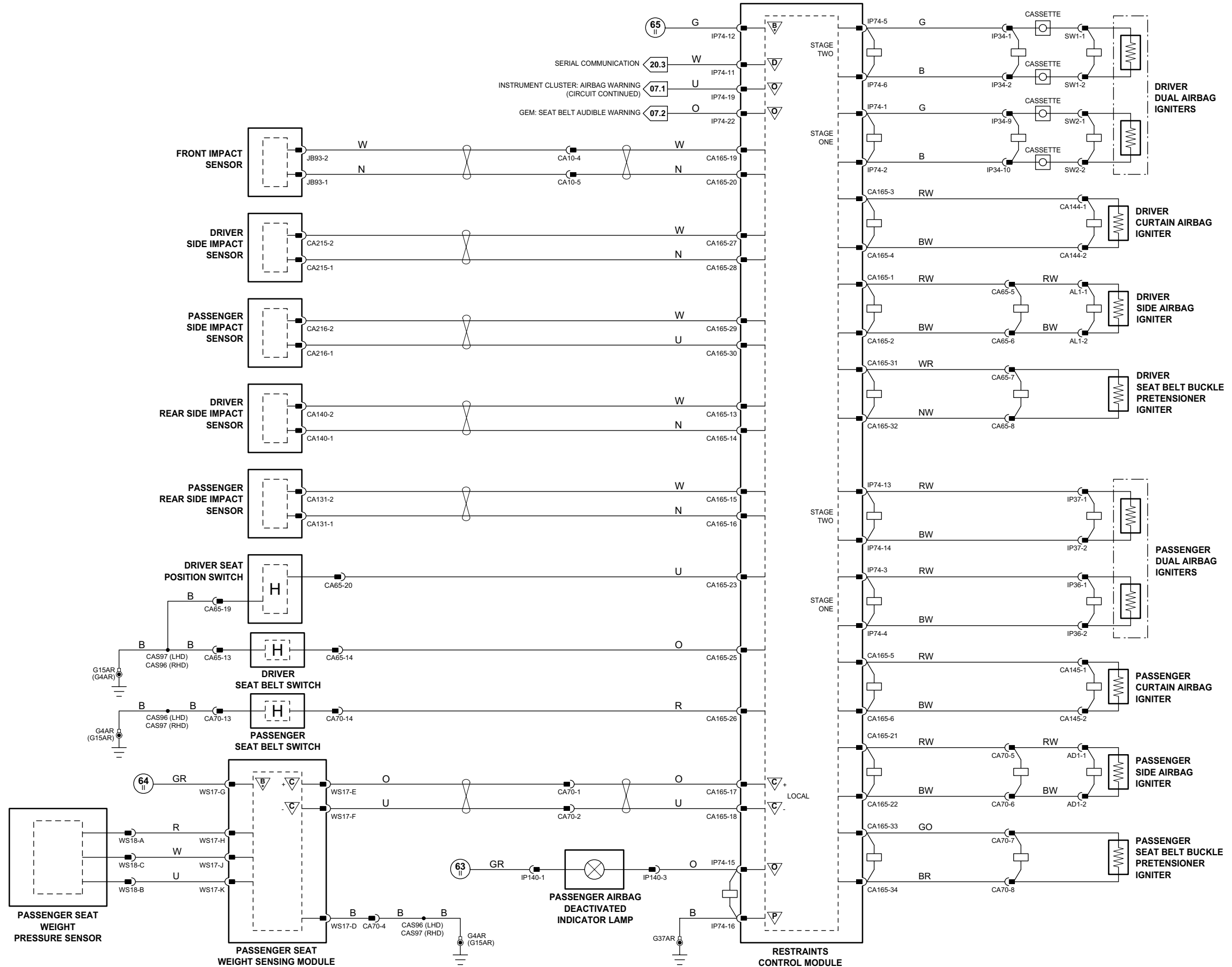
HARNESS IN-LINE CONNECTORS

Connector	Connector Description / Location	Location
CA10	22-WAY / SLATE / CABIN HARNESS TO JUNCTION BOX HARNESS	LH 'A' POST / 'A' POST TRIM
CA65	18-WAY / BLACK / CABIN HARNESS TO DRIVER SEAT HARNESS	UNDER DRIVER SEAT
CA70	18-WAY / BLACK / CABIN HARNESS TO DRIVER SEAT HARNESS	UNDER DRIVER SEAT
IP34	10-WAY / NATURAL / INSTRUMENT PANEL HARNESS TO STEERING WHEEL HARNESS	STEERING WHEEL CASSETTE

GROUNDS

Ground	Harness	Location
G4	CA	LOWER RH 'A' POST
G15	CA	LOWER LH 'A' POST
G37	IP	BEHIND INSTRUMENT PANEL / RH SIDE OF CROSS CAR BEAM

Refer to the front of this book for detailed information and illustrations regarding the location and identification of harnesses, relays, fuses, grounds, control modules and control module pins.



117_1_4000625

1 → 6 Fig. 01.1	34 → 79 Fig. 01.3	11 → 31 Fig. 01.5	67 → 76 Fig. 01.7	98 → 107 Fig. 01.9	Input	Battery Voltage	Sensor/Signal Supply V	CAN	D2B Network
7 → 33 Fig. 01.2	1 → 10 Fig. 01.4	32 → 66 Fig. 01.6	77 → 97 Fig. 01.8		Output	Power Ground	Sensor/Signal Ground	SCP	Serial and Encoded Data

VARIANT: Front Wheel Drive Vehicles
 VIN RANGE: All
 DATE OF ISSUE: January 2007

Fig. 17.2**COMPONENTS**

Component	Connector(s)	Connector Description	Location
CURTAIN AIRBAG IGNITER – DRIVER	CA144	2-WAY / BLACK	DRIVER SIDE 'E' POST
CURTAIN AIRBAG IGNITER – PASSENGER	CA145	2-WAY / BLACK	PASSENGER SIDE 'E' POST
DUAL AIRBAG IGNITERS – DRIVER	SW1	2-WAY / BLACK	STEERING WHEEL
	SW2	2-WAY / BLACK	
DUAL AIRBAG IGNITERS – PASSENGER	IP36	2-WAY / BROWN	INSTRUMENT PANEL PASSENGER SIDE
	IP37	2-WAY / BROWN	
IMPACT SENSOR – FRONT	JB93	2-WAY / BLACK	ADJACENT TO HOOD CATCH
KNEE BOLSTER IGNITER – DRIVER	CA420	2-WAY / BROWN	BELOW STEERING COLUMN
PASSENGER AIRBAG DEACTIVATED INDICATOR LAMP	IP140	4-WAY / BLACK	PASSENGER AIRBAG COVER
PASSENGER SEAT BELT TENSION SENSOR	WS19	3-WAY / BLACK	PASSENGER SEAT BELT BUCKLE
PASSENGER SEAT WEIGHT PRESSURE SENSOR	WS18	3-WAY / BLACK	PASSENGER SEAT CUSHION
PASSENGER SEAT WEIGHT SENSING MODULE	WS17	10-WAY / BLACK	UNDER PASSENGER SEAT
RESTRAINTS CONTROL MODULE – ALL WHEEL DRIVE VEHICLES	CA450	40-WAY / BLACK	UNDER CENTER CONSOLE
	IP74	24-WAY / BLACK	
SEAT BELT BUCKLE PRETENSIONER IGNITER – DRIVER	CA65	18-WAY / BLACK	DRIVER SEAT BELT BUCKLE
SEAT BELT BUCKLE PRETENSIONER IGNITER – PASSENGER	CA70	18-WAY / BLACK	PASSENGER SEAT BELT BUCKLE
SEAT BELT REEL PRETENSIONER IGNITER – DRIVER	CA241	3-WAY / YELLOW	DRIVER SIDE 'B/C' POST
SEAT BELT REEL PRETENSIONER IGNITER – PASSENGER	CA422	3-WAY / YELLOW	PASSENGER SIDE 'B/C' POST
SEAT BELT SWITCH – DRIVER	CA65	18-WAY / BLACK	DRIVER SEAT BELT BUCKLE
SEAT BELT SWITCH – PASSENGER	CA70	18-WAY / BLACK	PASSENGER SEAT BELT BUCKLE
SEAT POSITION SWITCH – DRIVER	CA65	18-WAY / BLACK	DRIVER SEAT TRACK
SEAT POSITION SWITCH – PASSENGER	CA70	18-WAY / BLACK	PASSENGER SEAT TRACK
SIDE AIRBAG IGNITER – DRIVER	AL1	2-WAY / BLACK	DRIVER SEAT BACK
SIDE AIRBAG IGNITER – PASSENGER	AD1	2-WAY / BLACK	PASSENGER SEAT BACK
SIDE IMPACT SENSOR – DRIVER	CA215	2-WAY / BLACK	DRIVER SIDE LOWER 'B/C' POST
SIDE IMPACT SENSOR – DRIVER REAR	CA140	2-WAY / BLACK	ADJACENT TO DRIVER SIDE REAR LOWER SAFETY BELT ANCHOR
SIDE IMPACT SENSOR – PASSENGER	CA216	2-WAY / BLACK	PASSENGER SIDE LOWER 'B/C' POST
SIDE IMPACT SENSOR – PASSENGER REAR	CA131	2-WAY / BLACK	ADJACENT TO PASSENGER SIDE REAR LOWER SAFETY BELT ANCHOR

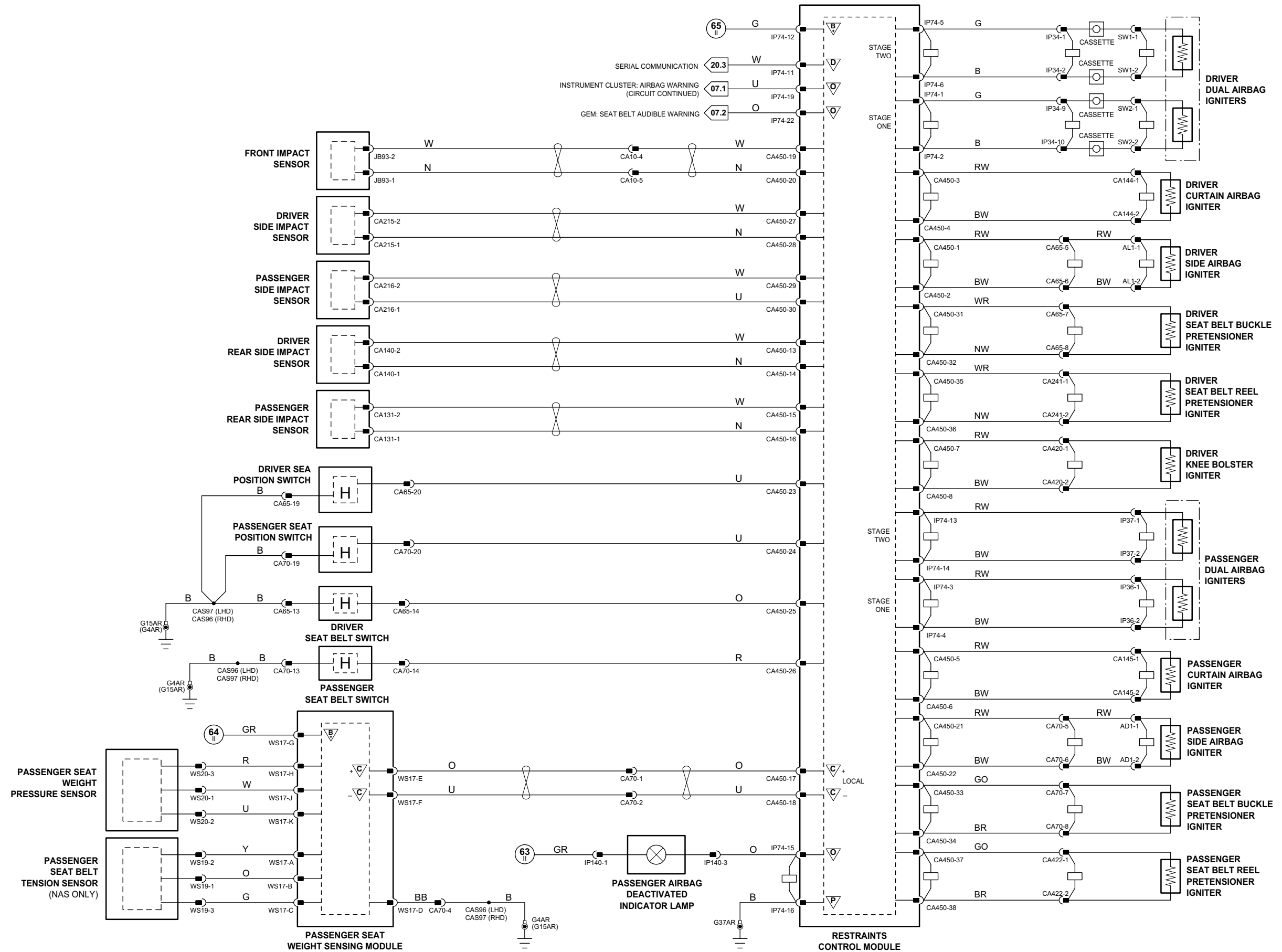
HARNES IN-LINE CONNECTORS

Connector	Connector Description / Location	Location
CA10	22-WAY / SLATE / CABIN HARNES TO JUNCTION BOX HARNES	LH 'A' POST / 'A' POST TRIM
CA65	18-WAY / BLACK / CABIN HARNES TO DRIVER SEAT HARNES	UNDER DRIVER SEAT
CA70	18-WAY / BLACK / CABIN HARNES TO DRIVER SEAT HARNES	UNDER DRIVER SEAT
IP34	10-WAY / NATURAL / INSTRUMENT PANEL HARNES TO STEERING WHEEL HARNES	STEERING WHEEL CASSETTE

GROUNDS

Ground	Harness	Location
G4	CA	LOWER RH 'A' POST
G15	CA	LOWER LH 'A' POST
G37	IP	BEHIND INSTRUMENT PANEL / RH SIDE OF CROSS CAR BEAM

Refer to the front of this book for detailed information and illustrations regarding the location and identification of harnesses, relays, fuses, grounds, control modules and control module pins.



117_2_400625

1 → 6 Fig. 01.1	34 → 79 Fig. 01.3	11 → 31 Fig. 01.5	67 → 76 Fig. 01.7	98 → 107 Fig. 01.9	Input	Battery Voltage	Sensor/Signal Supply V	CAN	D2B Network
7 → 33 Fig. 01.2	1 → 10 Fig. 01.4	32 → 66 Fig. 01.6	77 → 97 Fig. 01.8		Output	Power Ground	Sensor/Signal Ground	SCP	Serial and Encoded Data

VARIANT: All Wheel Drive Vehicles
 VIN RANGE: All
 DATE OF ISSUE: January 2007

Parking Aid Module

	Pin	Description and Characteristic
B+	CA418-01	IGNITION SWITCHED POWER SUPPLY: B+
O	CA418-02	REAR PARKING AID SOUNDER -
I	CA418-04	FRONT SENSORS SWITCH SIGNAL: GROUND WHEN ACTIVATED
I	CA418-05	TRAILER CONNECTED STATUS: GROUND = TRAILER CONNECTED
I	CA418-06	REVERSE LAMPS STATUS: B+ = REVERSE LAMPS ON
O	CA418-10	REAR PARKING AID SOUNDER +
I	CA418-11	CHIME INHIBIT SIGNAL
D	CA418-12	SERIAL DATA LINK
O	CA418-13	FRONT SENSORS STATUS LED ACTIVATE: TO ACTIVATE, PAM SWITCHES CIRCUIT TO B+
PG	CA418-16	POWER GROUND: GROUND
SG	CA419-01	FRONT SENSORS GROUND: GROUND
SS	CA419-02	FRONT SENSORS POWER SUPPLY: B+
O	CA419-03	FRONT PARKING AID SOUNDER -
O	CA419-04	FRONT PARKING AID SOUNDER +
D	CA419-05	FRONT LH SENSOR SIGNAL DATA
D	CA419-06	FRONT LH CENTER SENSOR SIGNAL DATA
D	CA419-07	FRONT RH CENTER SENSOR SIGNAL DATA
D	CA419-08	FRONT RH SENSOR SIGNAL DATA
D	RB7-02	REAR RH CENTER SENSOR SIGNAL DATA
D	RB7-03	REAR LH CENTER SENSOR SIGNAL DATA
D	RB7-04	REAR RH SENSOR SIGNAL DATA
D	RB7-05	REAR LH SENSOR SIGNAL DATA
SG	RB7-08	REAR SENSORS GROUND: GROUND
SS	RB7-11	REAR SENSORS POWER SUPPLY: B+

Fig. 18.1

COMPONENTS

Component	Connector(s)	Connector Description	Location	
GENERAL ELECTRONIC MODULE	CA86	23-WAY / GREY	BEHIND INSTRUMENT PANEL / RH SIDE	
	CA87	23-WAY / GREEN		
	IP5	23-WAY / BROWN		
	IP6	23-WAY / NATURAL		
	JB172	23-WAY / BLUE		
	PARKING AID MODULE	CA418	16-WAY / WHITE	SPARE WHEEL WELL
CA419		12-WAY / WHITE		
RB7		12-WAY / WHITE		
PARKING AID SENSOR - LH CENTER: FRONT		FB7	3-WAY / BLACK	FRONT BUMPER
PARKING AID SENSOR - LH CENTER: REAR		RB2	3-WAY / BLACK	REAR BUMPER
PARKING AID SENSOR - LH: FRONT		FB8	3-WAY / BLACK	FRONT BUMPER
PARKING AID SENSOR - LH: REAR		RB1	3-WAY / BLACK	REAR BUMPER
PARKING AID SENSOR - RH CENTER: FRONT		FB6	3-WAY / BLACK	FRONT BUMPER
PARKING AID SENSOR - RH CENTER: REAR		RB3	3-WAY / BLACK	REAR BUMPER
PARKING AID SENSOR - RH: FRONT		FB5	3-WAY / BLACK	FRONT BUMPER
PARKING AID SENSOR - RH: REAR	RB4	3-WAY / BLACK	REAR BUMPER	
PARKING AID SOUNDER - FRONT	IP151	2-WAY / WHITE	INSTRUMENT PANEL CENTER	
PARKING AID SOUNDER - REAR	CA136	2-WAY / WHITE	ESTATE (WAGON): LH REAR QUARTER PANEL INTERIOR TRIM SEDAN: PARCEL SHELF	
ROOF CONSOLE - PRINTED CIRCUIT BOARD	RC23	20-WAY / WHITE	ROOF CENTER FRONT	

HARNESS IN-LINE CONNECTORS

Connector	Connector Description / Location	Location
CA36	16-WAY / GREEN / CABIN HARNESS TO ROOF HARNESS	LH 'A' POST / WINDSHIELD PILLAR
CA170	16-WAY / GREEN / JUNCTION BOX HARNESS TO CABIN HARNESS	LH 'A' POST / 'A' POST TRIM
JB3	14-WAY / BLUE / JUNCTION BOX HARNESS TO INSTRUMENT PANEL HARNESS	BELOW INSTRUMENT PANEL / LH SIDE
JB129	22-WAY / GREY / JUNCTION BOX HARNESS TO INSTRUMENT PANEL HARNESS	BELOW INSTRUMENT PANEL / LH SIDE
JB173	10-WAY / BLACK / JUNCTION BOX HARNESS TO FRONT BUMPER HARNESS	BEHIND LH FRONT WHEEL ARCH LINER

GROUNDS

Ground	Harness	Location
G2	CA	TRUNK / UNDER LH TAIL LAMP UNIT
G15	CA	LOWER LH 'A' POST

FOR CONTROL MODULE PIN-OUT INFORMATION, UNFOLD PAGE TO LEFT.

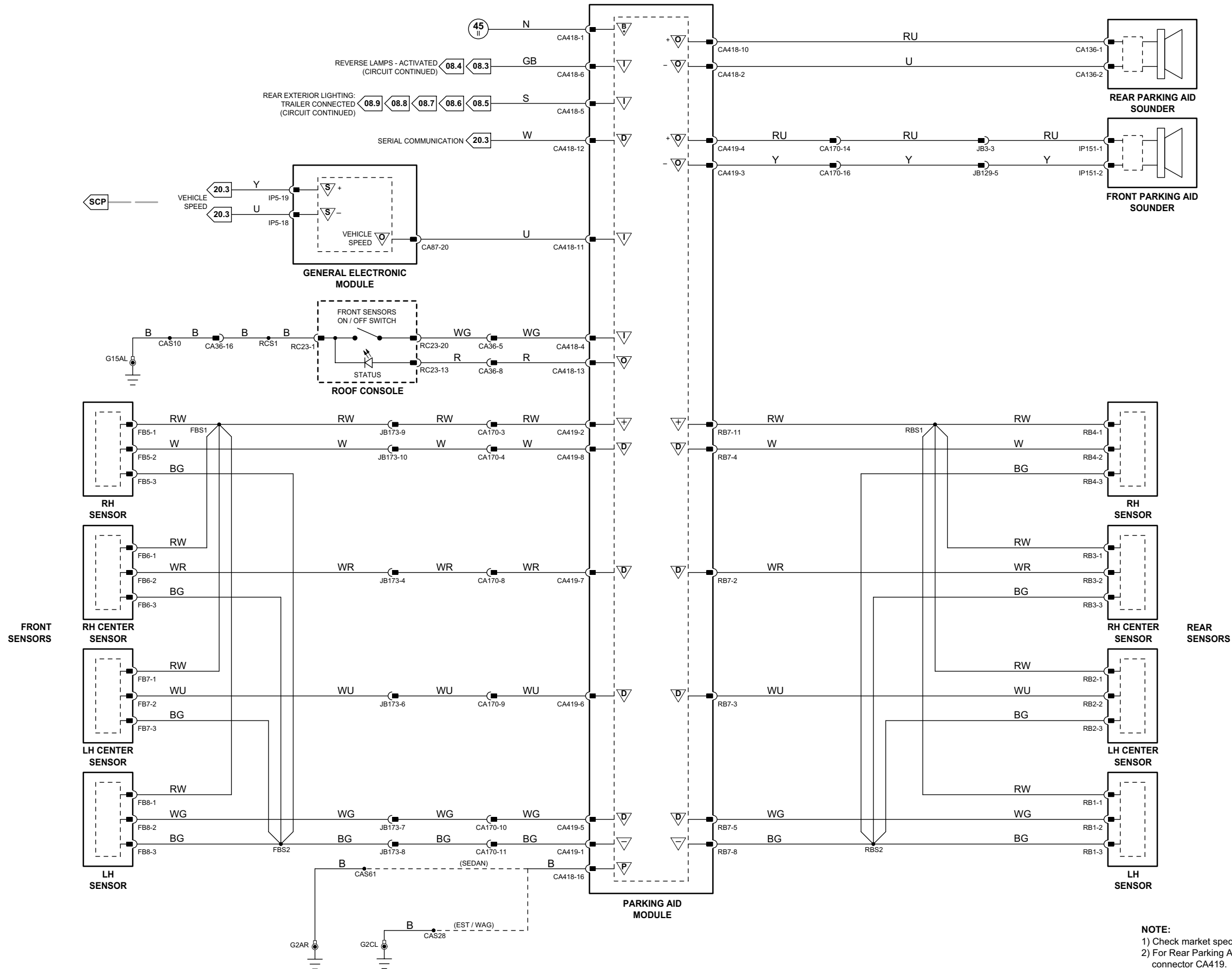
The following abbreviations are used to represent values for Control Module Pin-Out data

I	Input	PG	Power Ground	C	CAN Network	D	Serial and Encoded Data
O	Output	SS	Sensor / Signal Supply V	S	SCP Network	V	Voltage (DC)
B+	Battery Voltage	SG	Sensor / Signal Ground	D2	D2B Network	PWM	Pulse Width Modulated

CAUTION: The information on this data page is furnished to aid the user in understanding circuit operation. THIS INFORMATION SHOULD BE USED FOR REFERENCE ONLY.

NOTE: The values listed are approximately those that can be expected at the control module connector pins with all circuit connections made and all components connected and fitted.

Refer to the front of this book for detailed information and illustrations regarding the location and identification of harnesses, relays, fuses, grounds, control modules and control module pins.



NOTE:
 1) Check market specification for fitment of Front Parking Aid.
 2) For Rear Parking Aid Only vehicles, disregard all connections to connector CA419.

General Electronic Module

	Pin	Description and Characteristic
PG	CA86-05	POWER GROUND
O	IP5-14	HORN RELAY DRIVE : TO ACTIVATE, GEM SWITCHES CIRCUIT TO GROUND
I	IP6-20	STEERING WHEEL HORN SWITCH: GROUND WHEN SELECTED
B+	JB172-01	BATTERY POWER SUPPLY (LOCKING): B+

Fig. 19.1

COMPONENTS

Component	Connector(s)	Connector Description	Location
ACCESSORY CONNECTOR – CABIN	IP24	3-WAY / BLACK	BEHIND GLOVE BOX
ACCESSORY CONNECTOR – REAR	CA146	3-WAY / BLACK	TRUNK, LH REAR
CIGAR LIGHTER	IP42	2-WAY / ORANGE	ASH TRAY
CUSTOMER POWER CONNECTOR	CA435	2-WAY / NATURAL	RH REAR INTERIOR TRIM
ELECTROCHROMIC REAR VIEW MIRROR	RC5	5-WAY / BLACK	REAR VIEW MIRROR
GENERAL ELECTRONIC MODULE	CA86	23-WAY / GREY	BEHIND INSTRUMENT PANEL / RH SIDE
	CA87	23-WAY / GREEN	
	IP5	23-WAY / BROWN	
	IP6	23-WAY / NATURAL	
	JB172	23-WAY / BLUE	
HORN RELAY – Diesel	–	–	POWER DISTRIBUTION FUSEBOX – R2
HORN RELAY – 2.0 L, 2.5 L, 3.0 L	–	–	POWER DISTRIBUTION FUSEBOX – R15
HORN SWITCH	SW6	2-WAY / BLACK	STEERING WHEEL
HORNS	JB87	2-WAY / BLACK	ADJACENT TO BATTERY
POWER DISTRIBUTION FUSEBOX	–	–	ENGINE COMPARTMENT
ROOF CONSOLE – PRINTED CIRCUIT BOARD	RC23	20-WAY / WHITE	ROOF CENTER FRONT
STEERING WHEEL	SW4	6-WAY / BLACK	STEERING COLUMN

HARNESS IN-LINE CONNECTORS

Connector	Connector Description / Location	Location
CA36	16-WAY / GREEN / CABIN HARNESS TO ROOF HARNESS	LH 'A' POST / WINDSHIELD PILLAR
IP34	10-WAY / NATURAL / INSTRUMENT PANEL HARNESS TO STEERING WHEEL HARNESS	STEERING WHEEL CASSETTE
JB129	22-WAY / GREY / JUNCTION BOX HARNESS TO INSTRUMENT PANEL HARNESS	BELOW INSTRUMENT PANEL / LH SIDE

GROUNDS

Ground	Harness	Location
G1	CA	TRUNK / UNDER LH TAIL LAMP UNIT
G2	CA	TRUNK / UNDER LH TAIL LAMP UNIT
G4	CA	LOWER RH 'A' POST
G5	IP	UPPER RH 'A' POST
G15	CA	LOWER LH 'A' POST
G36	IP	BEHIND INSTRUMENT PANEL / LH SIDE OF CROSS CAR BEAM
G37	IP	BEHIND INSTRUMENT PANEL / RH SIDE OF CROSS CAR BEAM

FOR CONTROL MODULE PIN-OUT INFORMATION, UNFOLD PAGE TO LEFT.

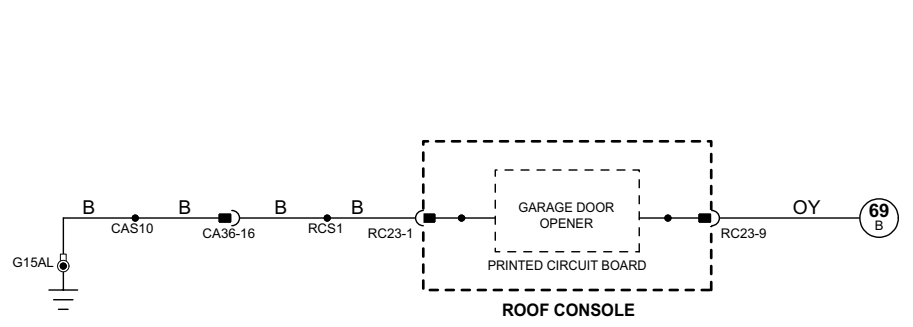
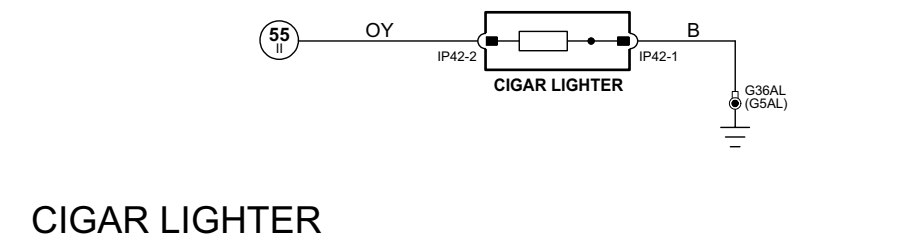
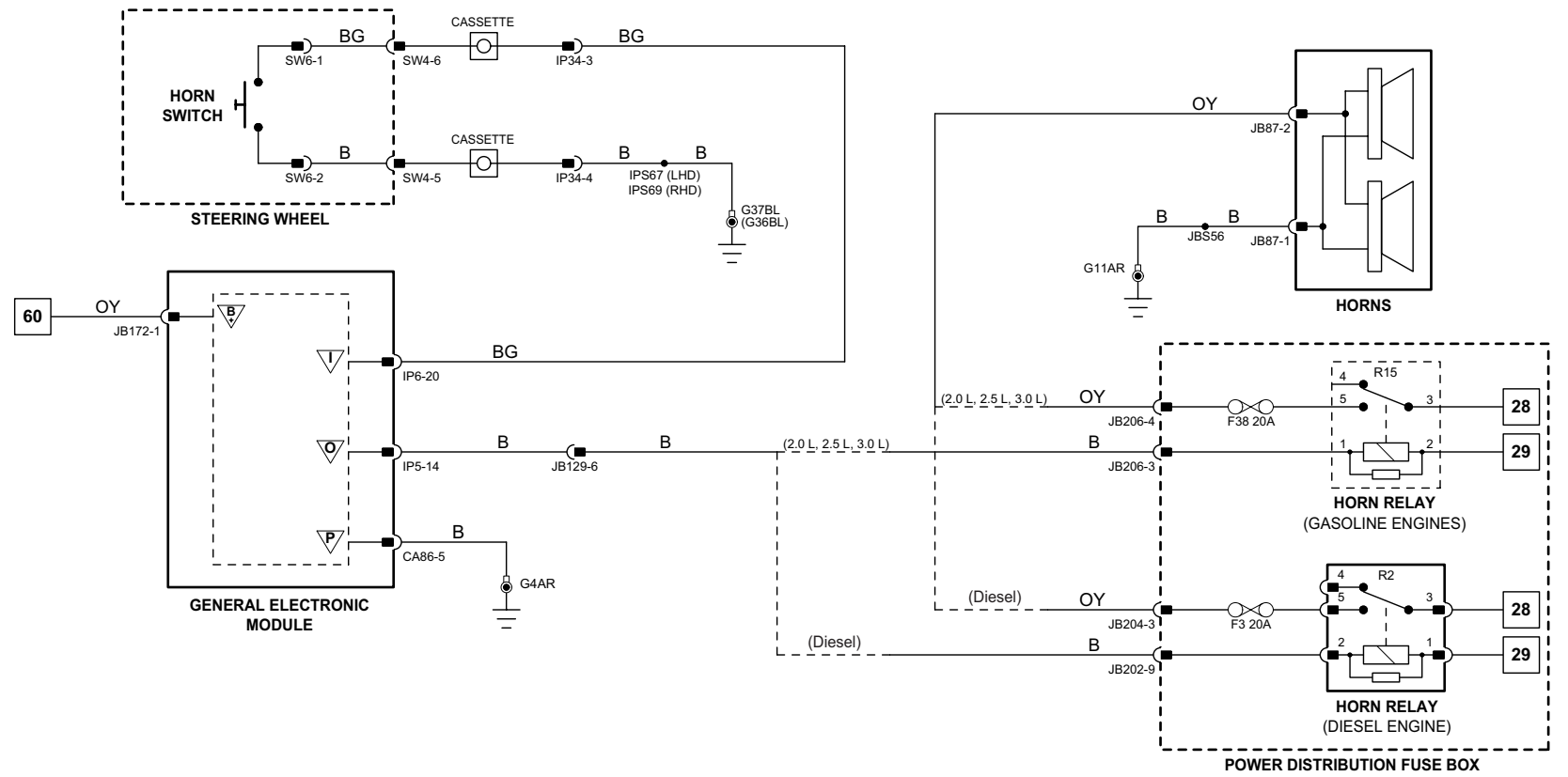
The following abbreviations are used to represent values for Control Module Pin-Out data

I	Input	PG	Power Ground	C	CAN Network	D	Serial and Encoded Data
O	Output	SS	Sensor / Signal Supply V	S	SCP Network	V	Voltage (DC)
B+	Battery Voltage	SG	Sensor / Signal Ground	D2	D2B Network	PWM	Pulse Width Modulated

CAUTION: The information on this data page is furnished to aid the user in understanding circuit operation. THIS INFORMATION SHOULD BE USED FOR REFERENCE ONLY.

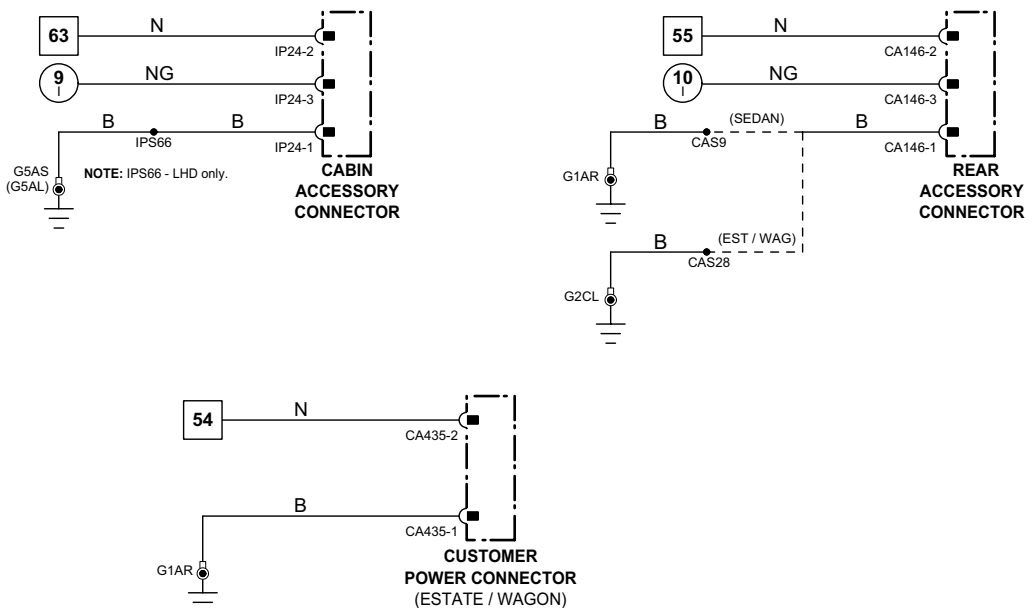
NOTE: The values listed are approximately those that can be expected at the control module connector pins with all circuit connections made and all components connected and fitted.

Refer to the front of this book for detailed information and illustrations regarding the location and identification of harnesses, relays, fuses, grounds, control modules and control module pins.



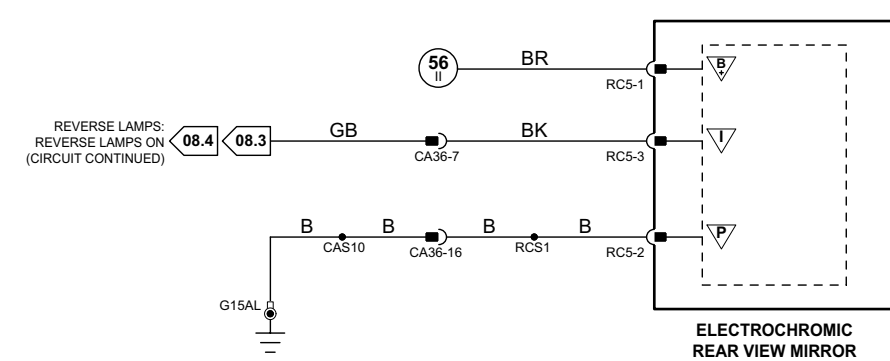
HORN

GARAGE DOOR OPENER



ACCESSORY CONNECTORS

ELECTROCHROMIC REAR VIEW MIRROR



f19_1_4000625

Fig. 20.1**COMPONENTS**

Component	Connector(s)	Connector Description	Location
ANTI-LOCK BRAKING / TRACTION CONTROL MODULE	JB197	42-WAY / BLUE	ENGINE COMPARTMENT / RH SIDE
ANTI-LOCK BRAKING SYSTEM MODULE	JB45	42-WAY / BLUE	ENGINE COMPARTMENT / RH SIDE
CLIMATE CONTROL MODULE – PANEL	AC1	26-WAY / YELLOW	BEHIND CLIMATE CONTROL PANEL
	IP39	4-WAY / GREY	
	IP101	26-WAY / WHITE	
	IP135	2-WAY / GREY	
CLIMATE CONTROL MODULE – REMOTE	AC1	26-WAY / YELLOW	RH SIDE OF AIR DISTRIBUTION UNIT
	IP101	26-WAY / WHITE	
DATA LINK CONNECTOR	IP22	16-WAY / BLACK	BELOW STEERING COLUMN
DYNAMIC STABILITY CONTROL MODULE	JB185	42-WAY / BLUE	ENGINE COMPARTMENT / RH SIDE
ENGINE CONTROL MODULE – 2.0 L	EN65	104-WAY / BLACK	ENGINE COMPARTMENT, FRONT BULKHEAD / RH SIDE
ENGINE CONTROL MODULE – Diesel	DL1	121-WAY / BLACK	ENGINE COMPARTMENT, FRONT BULKHEAD / RH SIDE
ENGINE CONTROL MODULE – 2.5 L, 3.0 L	EN16	134-WAY / BLACK	ENGINE COMPARTMENT, FRONT BULKHEAD / RH SIDE
HEADLAMP LEVELING MODULE	IP130	26-WAY / WHITE	BEHIND INSTRUMENT PANEL / LH SIDE
INSTRUMENT CLUSTER	IP10	26-WAY / WHITE	INSTRUMENT PANEL
	IP11	26-WAY / WHITE	
J-GATE MODULE	IP14	16-WAY / GREY	CENTER CONSOLE
SEAT MODULE – DRIVER	DM2	10-WAY / GREY	DRIVER SEAT SWITCH PACK
	DM3	16-WAY / BLACK	
	DM4	8-WAY / BLUE	
	DM5	8-WAY / GREEN	
STEERING ANGLE SENSOR	IP19	4-WAY / BLACK	STEERING COLUMN
TRANSMISSION CONTROL MODULE – 16-BIT	JB131	37-WAY / BLUE	LOWER LH 'A' POST
TRANSMISSION CONTROL MODULE – 32-BIT	JB230	24-WAY / WHITE	LOWER LH 'A' POST
	JB231	24-WAY / GREY	
YAW RATE SENSOR	IP20	4-WAY / BLACK	BEHIND CENTER CONSOLE

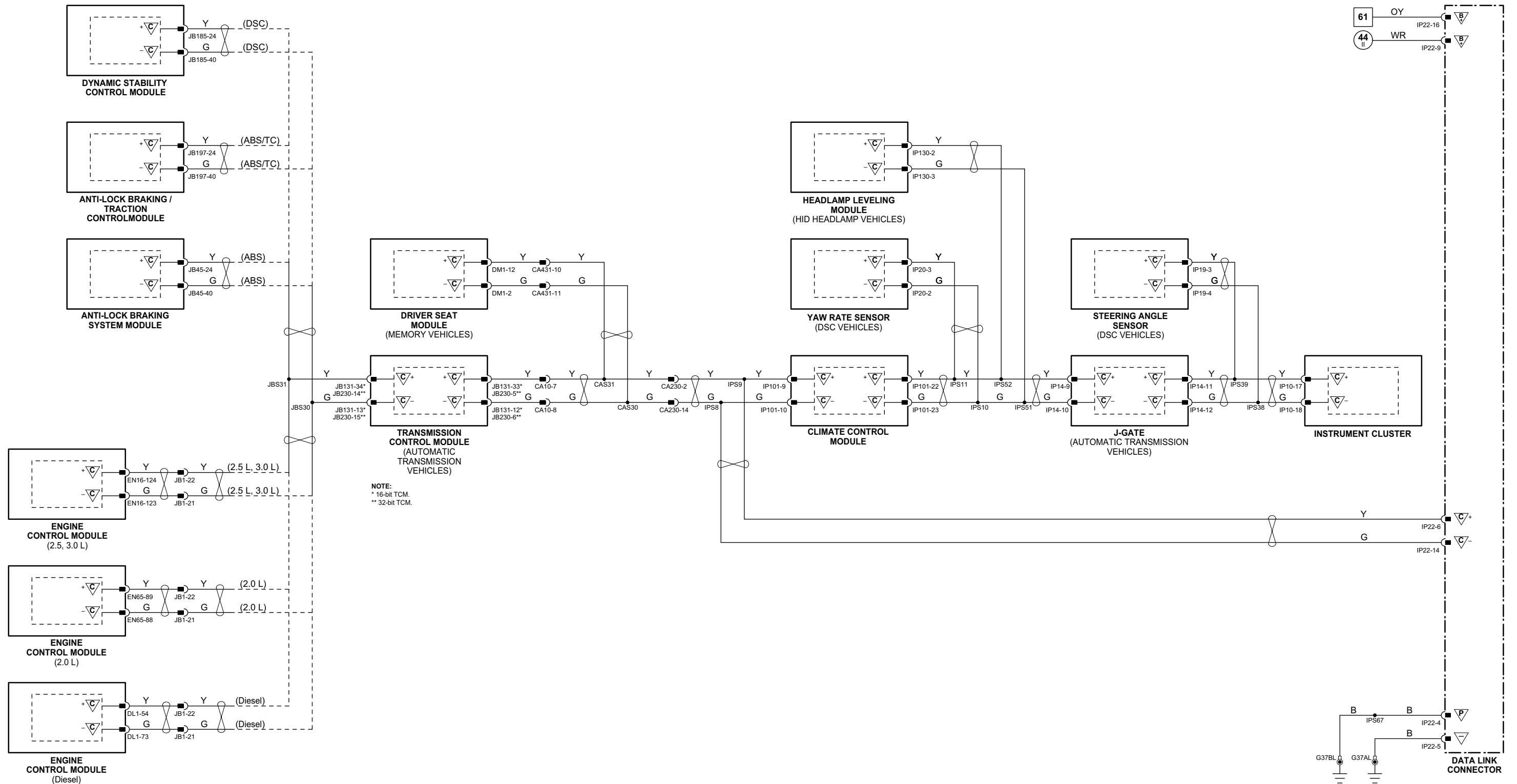
HARNESS IN-LINE CONNECTORS

Connector	Connector Description / Location	Location
CA10	22-WAY / SLATE / CABIN HARNESS TO JUNCTION BOX HARNESS	LH 'A' POST / 'A' POST TRIM
CA230	16-WAY / BLUE / CABIN HARNESS TO INSTRUMENT PANEL HARNESS	LH LOWER 'A' POST / 'A' POST TRIM
CA431	16-WAY / GREY / CABIN HARNESS TO DRIVER SEAT HARNESS	UNDER DRIVER SEAT
JB1	42-WAY / BLACK / ENGINE MANAGEMENT HARNESS TO JUNCTION BOX HARNESS	ENGINE COMPARTMENT / LH SIDE

GROUNDS

Ground	Harness	Location
G37	IP	BEHIND INSTRUMENT PANEL / RH SIDE OF CROSS CAR BEAM

Refer to the front of this book for detailed information and illustrations regarding the location and identification of harnesses, relays, fuses, grounds, control modules and control module pins.



119_1_4000625

1 → 6 Fig. 01.1	34 → 79 Fig. 01.3	11 → 31 Fig. 01.5	67 → 76 Fig. 01.7	98 → 107 Fig. 01.9	Input	Battery Voltage	Sensor/Signal Supply V	CAN	D2B Network
7 → 33 Fig. 01.2	1 → 10 Fig. 01.4	32 → 66 Fig. 01.6	77 → 97 Fig. 01.8		Output	Power Ground	Sensor/Signal Ground	SCP	Serial and Encoded Data

VARIANT: LHD Vehicles
VIN RANGE: All
DATE OF ISSUE: January 2007

Fig. 20.2**COMPONENTS**

Component	Connector(s)	Connector Description	Location
ANTI-LOCK BRAKING / TRACTION CONTROL MODULE	JB197	42-WAY / BLUE	ENGINE COMPARTMENT / RH SIDE
ANTI-LOCK BRAKING SYSTEM MODULE	JB45	42-WAY / BLUE	ENGINE COMPARTMENT / RH SIDE
CLIMATE CONTROL MODULE – PANEL	AC1	26-WAY / YELLOW	BEHIND CLIMATE CONTROL PANEL
	IP39	4-WAY / GREY	
	IP101	26-WAY / WHITE	
	IP135	2-WAY / GREY	
CLIMATE CONTROL MODULE – REMOTE	AC1	26-WAY / YELLOW	RH SIDE OF AIR DISTRIBUTION UNIT
	IP101	26-WAY / WHITE	
DATA LINK CONNECTOR	IP22	16-WAY / BLACK	BELOW STEERING COLUMN
DYNAMIC STABILITY CONTROL MODULE	JB185	42-WAY / BLUE	ENGINE COMPARTMENT / RH SIDE
ENGINE CONTROL MODULE – 2.0 L	EN65	104-WAY / BLACK	ENGINE COMPARTMENT, FRONT BULKHEAD / RH SIDE
ENGINE CONTROL MODULE – Diesel	DL1	121-WAY / BLACK	ENGINE COMPARTMENT, FRONT BULKHEAD / RH SIDE
ENGINE CONTROL MODULE – 2.5 L, 3.0 L	EN16	134-WAY / BLACK	ENGINE COMPARTMENT, FRONT BULKHEAD / RH SIDE
HEADLAMP LEVELING MODULE	IP130	26-WAY / WHITE	BEHIND INSTRUMENT PANEL / LH SIDE
INSTRUMENT CLUSTER	IP10	26-WAY / WHITE	INSTRUMENT PANEL
	IP11	26-WAY / WHITE	
J-GATE MODULE	IP14	16-WAY / GREY	CENTER CONSOLE
SEAT MODULE – DRIVER	DM2	10-WAY / GREY	DRIVER SEAT SWITCH PACK
	DM3	16-WAY / BLACK	
	DM4	8-WAY / BLUE	
	DM5	8-WAY / GREEN	
STEERING ANGLE SENSOR	IP19	4-WAY / BLACK	STEERING COLUMN
TRANSMISSION CONTROL MODULE – 16-BIT	JB131	37-WAY / BLUE	LOWER LH 'A' POST
TRANSMISSION CONTROL MODULE – 32-BIT	JB230	24-WAY / WHITE	LOWER LH 'A' POST
	JB231	24-WAY / GREY	
YAW RATE SENSOR	IP20	4-WAY / BLACK	BEHIND CENTER CONSOLE

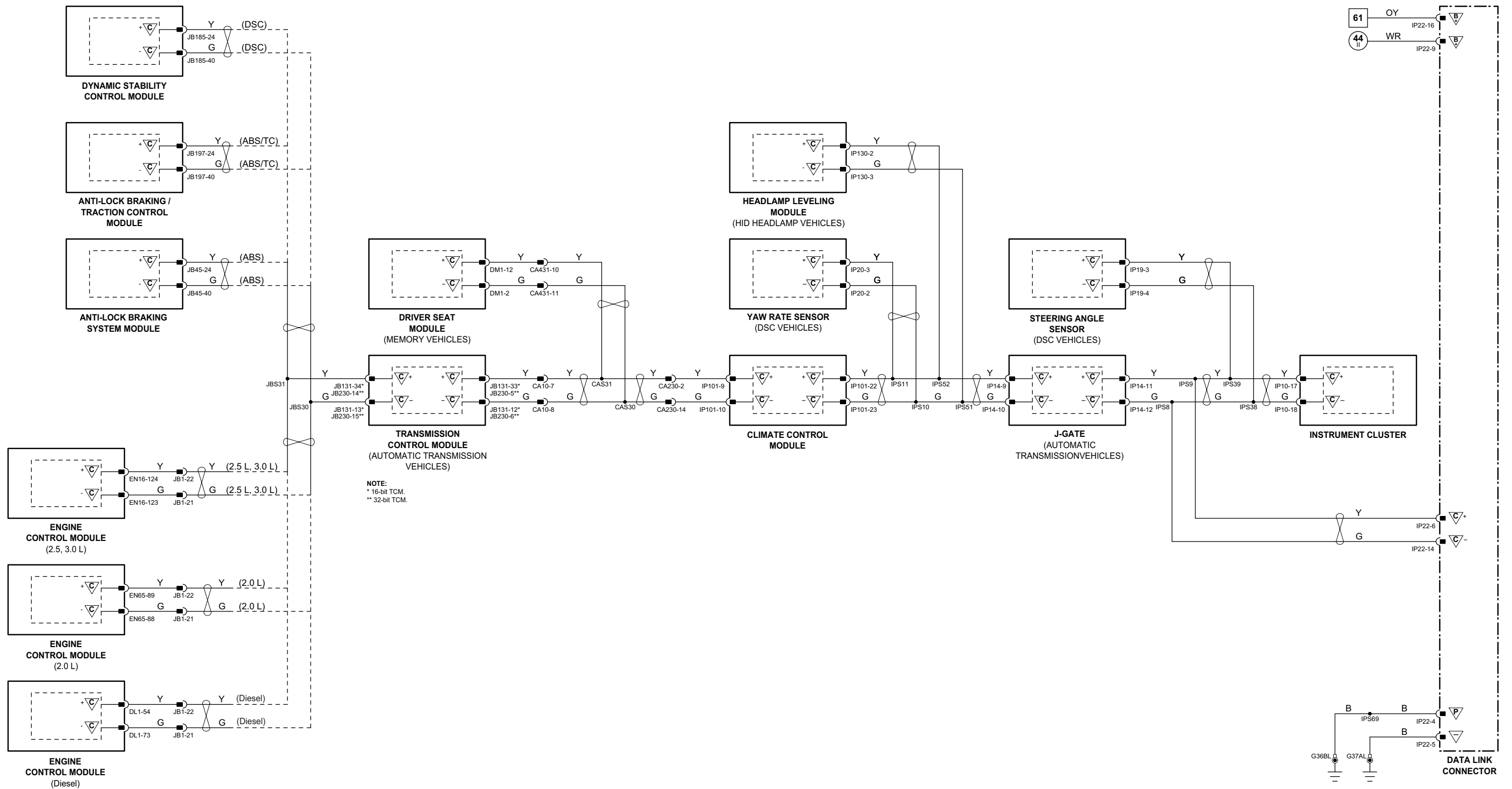
HARNESS IN-LINE CONNECTORS

Connector	Connector Description / Location	Location
CA10	22-WAY / SLATE / CABIN HARNESS TO JUNCTION BOX HARNESS	LH 'A' POST / 'A' POST TRIM
CA230	16-WAY / BLUE / CABIN HARNESS TO INSTRUMENT PANEL HARNESS	LH LOWER 'A' POST / 'A' POST TRIM
CA431	16-WAY / GREY / CABIN HARNESS TO DRIVER SEAT HARNESS	UNDER DRIVER SEAT
JB1	42-WAY / BLACK / ENGINE MANAGEMENT HARNESS TO JUNCTION BOX HARNESS	ENGINE COMPARTMENT / LH SIDE

GROUNDS

Ground	Harness	Location
G37	IP	BEHIND INSTRUMENT PANEL / RH SIDE OF CROSS CAR BEAM

Refer to the front of this book for detailed information and illustrations regarding the location and identification of harnesses, relays, fuses, grounds, control modules and control module pins.



t20_2_4000625

1 → 6 Fig. 01.1	34 → 79 Fig. 01.3	11 → 31 Fig. 01.5	67 → 76 Fig. 01.7	98 → 107 Fig. 01.9	Input	Battery Voltage	Sensor/Signal Supply V	CAN	D2B Network
7 → 33 Fig. 01.2	1 → 10 Fig. 01.4	32 → 66 Fig. 01.6	77 → 97 Fig. 01.8		Output	Power Ground	Sensor/Signal Ground	SCP	Serial and Encoded Data

VARIANT: RHD Vehicles
VIN RANGE: All
DATE OF ISSUE: January 2007

Fig. 20.3**COMPONENTS**

Component	Connector(s)	Connector Description	Location
AUDIO UNIT	ID1	2-WAY / D2B	INSTRUMENT PANEL CENTER
	IP65	20-WAY / BLACK	
	IP106	2-WAY / METALLIC	
DATA LINK CONNECTOR	IP22	16-WAY / BLACK	BELOW STEERING COLUMN
ENGINE CONTROL MODULE – 2.0 L	EN65	104-WAY / BLACK	ENGINE COMPARTMENT, FRONT BULKHEAD / RH SIDE
ENGINE CONTROL MODULE – Diesel	DL1	121-WAY / BLACK	ENGINE COMPARTMENT, FRONT BULKHEAD / RH SIDE
ENGINE CONTROL MODULE – 2.5 L, 3.0 L	EN16	134-WAY / BLACK	ENGINE COMPARTMENT, FRONT BULKHEAD / RH SIDE
FUEL-FIRED AUXILIARY HEATER MODULE	JB232	6-WAY / BLACK	VEHICLE UNDER-FLOOR REARWARD OF ENGINE
GENERAL ELECTRONIC MODULE	CA86	23-WAY / GREY	BEHIND INSTRUMENT PANEL / RH SIDE
	CA87	23-WAY / GREEN	
	IP5	23-WAY / BROWN	
	IP6	23-WAY / NATURAL	
	JB172	23-WAY / BLUE	
	IP130	26-WAY / WHITE	
	IP10	26-WAY / WHITE	
HEADLAMP LEVELING MODULE	IP11	26-WAY / WHITE	BEHIND INSTRUMENT PANEL / LH SIDE
INSTRUMENT CLUSTER	IP10	26-WAY / WHITE	INSTRUMENT PANEL
	IP11	26-WAY / WHITE	
NAVIGATION CONTROL MODULE	CD5	2-WAY / D2B	TRUNK, LH REAR
	NA1	26-WAY / WHITE	
	NA2	12-WAY / BLACK	
	NA6	2-WAY / GREY	
	NA7	20-WAY / BLACK	
	CA418	16-WAY / WHITE	
	CA419	12-WAY / WHITE	
PARKING AID MODULE	RB7	12-WAY / WHITE	SPARE WHEEL WELL
	CA450	40-WAY / BLACK	
	IP74	24-WAY / BLACK	
RESTRAINTS CONTROL MODULE – ALL WHEEL DRIVE VEHICLES	CA450	40-WAY / BLACK	UNDER CENTER CONSOLE
RESTRAINTS CONTROL MODULE – FRONT WHEEL DRIVE VEHICLES	IP74	24-WAY / BLACK	UNDER CENTER CONSOLE
	IP74	24-WAY / BLACK	
	IP74	24-WAY / BLACK	
ROOF CONSOLE – PRINTED CIRCUIT BOARD	RC23	20-WAY / WHITE	ROOF CENTER FRONT
ROOF CONSOLE – WITHOUT PRINTED CIRCUIT BOARD	RC30	4-WAY / BLACK	ROOF CENTER FRONT
	RC31	2-WAY / BLACK	
	RC33	4-WAY / BLACK	
	RC34	6-WAY / BLACK	

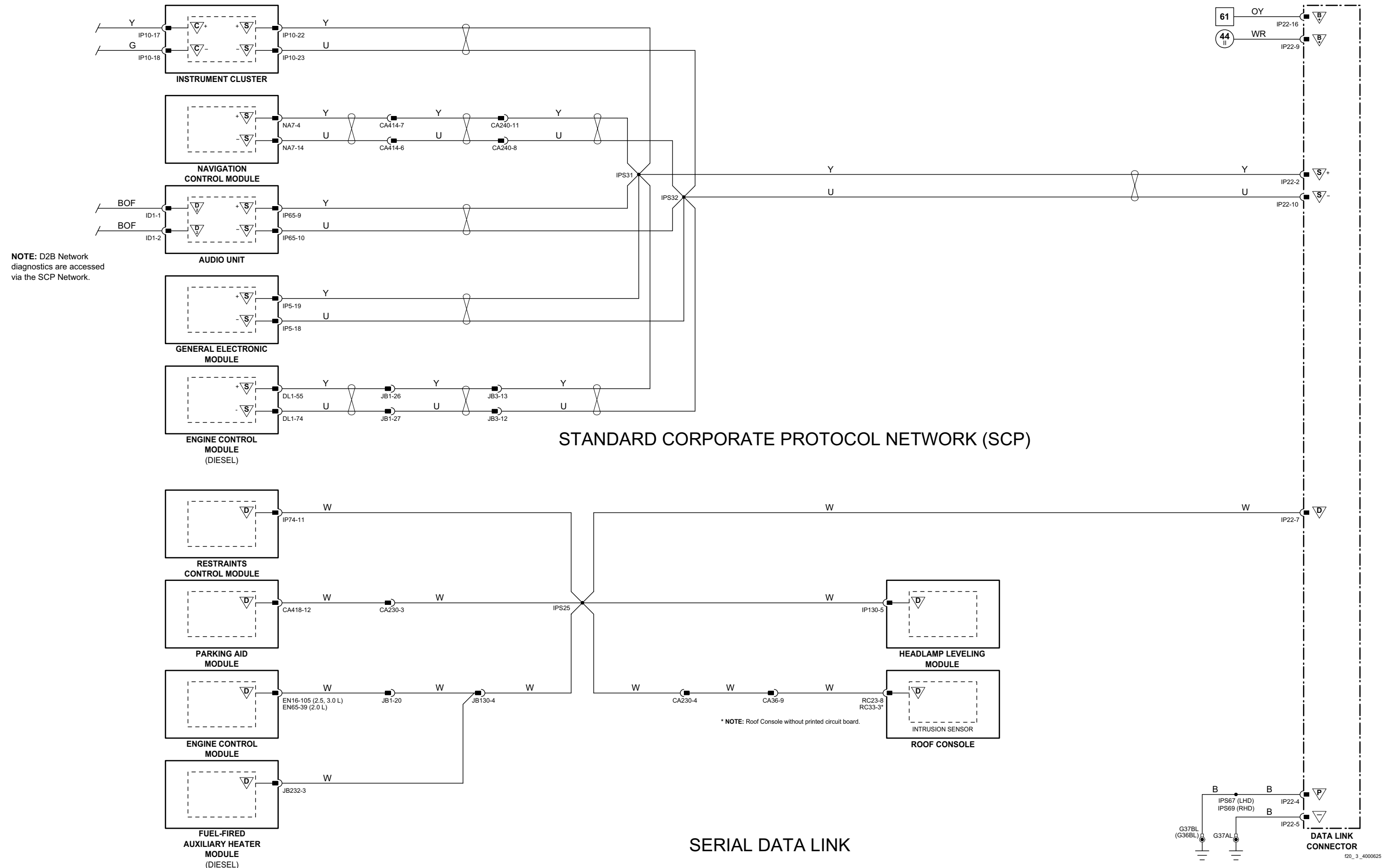
HARNESS IN-LINE CONNECTORS

Connector	Connector Description / Location	Location
CA36	16-WAY / GREEN / CABIN HARNESS TO ROOF HARNESS	LH 'A' POST / WINDSHIELD PILLAR
CA230	16-WAY / BLUE / CABIN HARNESS TO INSTRUMENT PANEL HARNESS	LH LOWER 'A' POST / 'A' POST TRIM
CA240	12-WAY / GREY / CABIN HARNESS TO INSTRUMENT PANEL HARNESS	LH LOWER 'A' POST / 'A' POST TRIM
CA414	16-WAY / BLUE / NAVIGATION HARNESS TO CABIN HARNESS	BELOW LH REAR SEAT CUSHION
JB1	42-WAY / BLACK / ENGINE MANAGEMENT HARNESS TO JUNCTION BOX HARNESS	ENGINE COMPARTMENT / LH SIDE
JB3	14-WAY / BLUE / JUNCTION BOX HARNESS TO INSTRUMENT PANEL HARNESS	BELOW INSTRUMENT PANEL / LH SIDE

GROUNDS

Ground	Harness	Location
G36	IP	BEHIND INSTRUMENT PANEL / LH SIDE OF CROSS CAR BEAM
G37	IP	BEHIND INSTRUMENT PANEL / RH SIDE OF CROSS CAR BEAM

Refer to the front of this book for detailed information and illustrations regarding the location and identification of harnesses, relays, fuses, grounds, control modules and control module pins.



1 → 6 Fig. 01.1	34 → 79 Fig. 01.3	11 → 31 Fig. 01.5	67 → 76 Fig. 01.7	98 → 107 Fig. 01.9	Input	Battery Voltage	Sensor/Signal Supply V	CAN	D2B Network
7 → 33 Fig. 01.2	1 → 10 Fig. 01.4	32 → 66 Fig. 01.6	77 → 97 Fig. 01.8		Output	Power Ground	Sensor/Signal Ground	SCP	Serial and Encoded Data

VARIANT: All Vehicles
VIN RANGE: All
DATE OF ISSUE: January 2007

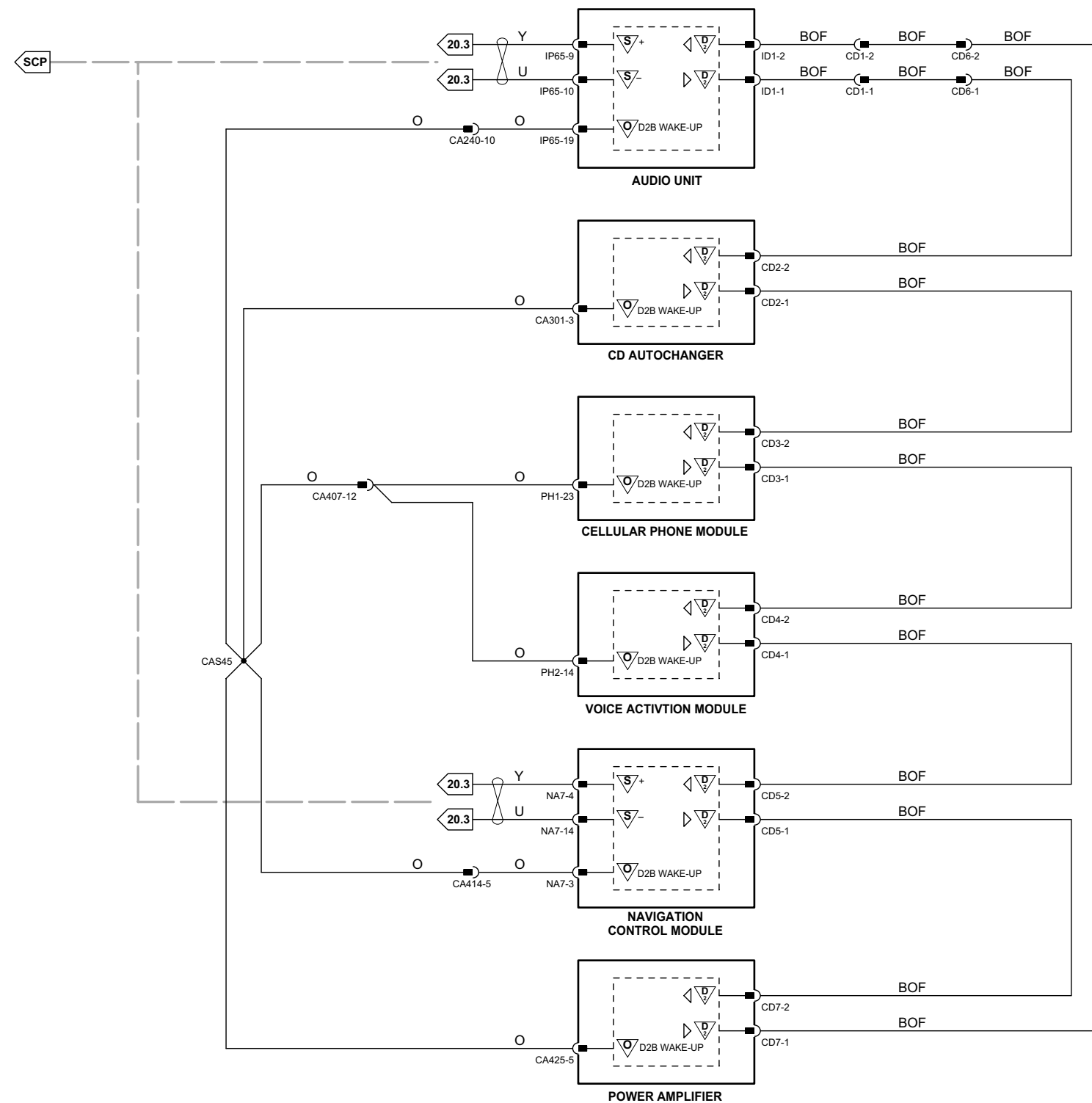
Fig. 20.4**COMPONENTS**

Component	Connector(s)	Connector Description	Location
AUDIO UNIT	ID1	2-WAY / D2B	INSTRUMENT PANEL CENTER
	IP65	20-WAY / BLACK	
	IP106	2-WAY / METALLIC	
CD AUTOCHANGER	CA301	3-WAY / BLACK	TRUNK / LH SIDE
	CD2	2-WAY / D2B	
CELLULAR PHONE MODULE	CD3	2-WAY / D2B	TRUNK / LH SIDE
	PH1	32-WAY / BLACK	
	PH3	2-WAY / GREY	
NAVIGATION CONTROL MODULE	CD5	2-WAY / D2B	TRUNK, LH REAR
	NA1	26-WAY / WHITE	
	NA2	12-WAY / BLACK	
	NA6	2-WAY / GREY	
	NA7	20-WAY / BLACK	
POWER AMPLIFIER	CA425	12-WAY / GREY	TRUNK, LH REAR
	CA426	18-WAY / BLACK	
	CD7	2-WAY / D2B	
VOICE ACTIVATION MODULE	CD4	2-WAY / D2B	TRUNK, LH REAR
	PH2	22-WAY / BLACK	

HARNESS IN-LINE CONNECTORS

Connector	Connector Description / Location	Location
CA240	12-WAY / GREY / CABIN HARNESS TO INSTRUMENT PANEL HARNESS	LH LOWER 'A' POST / 'A' POST TRIM
CA407	16-WAY / GREY / CELLULAR PHONE HARNESS TO CABIN HARNESS	BELOW LH REAR SEAT CUSHION
CA414	16-WAY / BLUE / NAVIGATION HARNESS TO CABIN HARNESS	BELOW LH REAR SEAT CUSHION
CD1	2-WAY / BLACK / FIBER OPTIC CONNECTOR	LH LOWER 'A' POST / 'A' POST TRIM
CD6	2-WAY / BLACK / FIBER OPTIC CONNECTOR	TRUNK, LH REAR

Refer to the front of this book for detailed information and illustrations regarding the location and identification of harnesses, relays, fuses, grounds, control modules and control module pins.



NOTES:

The 6-module D2B Network shown depicts the greatest number of modules available. D2B Networks containing less than 6 modules are always connected in the sequence shown from top to bottom.

- Audio Unit - Master Module
 1 - CD Autochanger
 2 - Cellular Phone Module
 3 - Voice Activation Module
 4 - Navigation Control Module
 5 - Power Amplifier

When modules are not fitted to the vehicle, the fiber optic cables and the connectors are deleted. Therefore, each Network containing less than 6 modules has a unique fiber optic and 'wake up' circuit.

D2B Network diagnostics via SCP Network - refer to Figure 20.3.

A		Battery Saver Relay	Fig. 01.7
Accessory Connector		Blower	
Cabin	Fig. 19.1	Automatic Climate Control	Fig. 06.2
Rear	Fig. 08.5	Manual Climate Control	Fig. 06.1
.	Fig. 08.6	Blower Series Resistor	Fig. 06.1
.	Fig. 08.7	Brake Cancel Switch	Fig. 03.2
.	Fig. 08.8	Fig. 03.4
.	Fig. 08.9	Fig. 03.6
.	Fig. 19.1	Brake Fluid Level Switch	Fig. 07.1
Trailer Towing	Fig. 08.5	Brake On / Off Switch	Fig. 03.1
.	Fig. 08.6	Fig. 03.3
.	Fig. 08.7	Fig. 03.4
.	Fig. 08.8	Fig. 03.5
.	Fig. 08.9	Fig. 03.6
Accessory Relay	Fig. 01.4	Fig. 05.1
Air Conditioning		Fig. 05.2
Blower Relay	Fig. 06.1	Fig. 05.3
.	Fig. 06.2	Fig. 08.3
Compressor Clutch	Fig. 03.2	Fig. 08.4
.	Fig. 03.4	Brake Pressure Sensor	Fig. 05.3
.	Fig. 03.6		
Compressor Clutch Relay	Fig. 03.2	C	
.	Fig. 03.4	Caravan Connector	Fig. 08.6
.	Fig. 03.6	Fig. 08.9
Pressure Sensor	Fig. 03.2	CD Autochanger	Fig. 15.1
.	Fig. 03.4	Fig. 15.2
.	Fig. 03.6	Fig. 20.4
Air Temperature Blend Actuator	Fig. 06.1	Cellular Phone Module	Fig. 16.1
.	Fig. 06.2	Fig. 16.2
AM / FM Antenna – Estate (Wagon)	Fig. 15.1	Fig. 20.4
.	Fig. 15.2	CHT Sensor	Fig. 03.5
Ambient Temperature Sensor	Fig. 06.2	Cigar Lighter	Fig. 09.2
Diesel	Fig. 03.5	Fig. 19.1
Antenna Module – Sedan	Fig. 15.1	CKP Sensor	
.	Fig. 15.2	2.0 L, 2.5 L, 3.0 L	Fig. 03.1
Anti-Lock Braking System Module	Fig. 05.1	Fig. 03.3
.	Fig. 20.1	Diesel	Fig. 03.5
.	Fig. 20.2	Climate Control Module	
Anti-Lock Braking / Traction Control Module	Fig. 05.2	Panel	Fig. 06.1
.	Fig. 20.1	Fig. 06.3
.	Fig. 20.2	Fig. 09.2
APP Sensor		Fig. 20.1
2.5 L, 3.0 L	Fig. 03.1	Fig. 20.2
Diesel	Fig. 03.5	Remote	Fig. 06.2
Audio Control Switches	Fig. 15.1	Fig. 06.3
.	Fig. 15.2	Fig. 20.1
Audio Unit	Fig. 09.2	Fig. 20.2
.	Fig. 12.4	Clutch Cancel Switch	Fig. 03.2
.	Fig. 12.5	Fig. 03.4
.	Fig. 15.1	Clutch Pedal Safety Switch	Fig. 02.1
.	Fig. 15.2	Clutch Switch – Diesel	Fig. 03.5
.	Fig. 16.1	Fig. 03.6
.	Fig. 16.2	CMP Sensors	
.	Fig. 16.3	2.0 L, 2.5 L, 3.0 L	Fig. 03.1
.	Fig. 20.3	Fig. 03.3
.	Fig. 20.4	Diesel	Fig. 03.5
Auto Headlamps Sensor	Fig. 08.1	Cooling Fan Module	Fig. 03.2
Automatic Transmission	Fig. 04.1	Fig. 03.4
.	Fig. 04.2	Fig. 03.6
Auxiliary Heater Relays	Fig. 03.6	Cooling Fans	Fig. 03.2
Axle Sensors	Fig. 08.10	Fig. 03.4
		Fig. 03.6
B		Curtain Airbag Igniters	Fig. 17.1
Battery	Fig. 01.1	Fig. 17.2
.	Fig. 02.1	Customer Power Connector	Fig. 19.1
.	Fig. 02.2		
.	Fig. 02.3		

D	
Data Link Connector	Fig. 20.1
.....	Fig. 20.2
.....	Fig. 20.3
Defrost Door Actuator	Fig. 06.1
.....	Fig. 06.2
Dip Beam Relay	Fig. 08.1
.....	Fig. 08.2
Discharge Temperature Sensor	Fig. 06.1
.....	Fig. 06.2
Door Latch	
Driver	Fig. 07.2
.....	Fig. 09.1
.....	Fig. 11.1
.....	Fig. 12.1
.....	Fig. 12.2
.....	Fig. 12.3
.....	Fig. 12.4
.....	Fig. 12.5
.....	Fig. 14.1
.....	Fig. 14.2
LH Rear	Fig. 09.1
.....	Fig. 12.1
.....	Fig. 12.2
.....	Fig. 12.3
.....	Fig. 12.4
.....	Fig. 12.5
Passenger	Fig. 09.1
.....	Fig. 12.1
.....	Fig. 12.2
.....	Fig. 12.3
.....	Fig. 12.4
.....	Fig. 12.5
RH Rear	Fig. 09.1
.....	Fig. 12.1
.....	Fig. 12.2
.....	Fig. 12.3
.....	Fig. 12.4
.....	Fig. 12.5
Door Mirrors	Fig. 06.3
.....	Fig. 10.1
.....	Fig. 10.2
Door Switch Pack	
Driver	Fig. 09.2
.....	Fig. 10.1
.....	Fig. 10.2
.....	Fig. 14.1
LH Rear	Fig. 09.2
.....	Fig. 14.1
Passenger	Fig. 09.2
.....	Fig. 14.1
RH Rear	Fig. 09.2
.....	Fig. 14.1
Dual Airbag Igniters	Fig. 17.1
.....	Fig. 17.2
Dynamic Stability Control Module	Fig. 05.3
.....	Fig. 20.1
.....	Fig. 20.2
Dynamic Stability Control Switch	Fig. 05.3
.....	Fig. 09.2
E	
ECT Sensor	Fig. 03.1
.....	Fig. 03.3
EFT Sensor	
2.5 L, 3.0 L	Fig. 03.1
Diesel	Fig. 03.5
EGR Solenoid Valve	Fig. 03.5
Electric Auxiliary Heater	Fig. 03.6
Electrochromic Rear View Mirror	Fig. 19.1
EMS Control Relay	Fig. 01.8
.....	Fig. 01.9
Engine Control Module	
2.0 L	Fig. 01.8
.....	Fig. 02.2
.....	Fig. 03.3
.....	Fig. 03.4
.....	Fig. 12.4
.....	Fig. 12.5
.....	Fig. 20.1
.....	Fig. 20.2
.....	Fig. 20.3
2.5 L, 3.0 L	Fig. 01.8
.....	Fig. 02.1
.....	Fig. 03.1
.....	Fig. 03.2
.....	Fig. 12.4
.....	Fig. 12.5
.....	Fig. 20.1
.....	Fig. 20.2
.....	Fig. 20.3
Diesel	Fig. 01.9
.....	Fig. 02.3
.....	Fig. 03.5
.....	Fig. 03.6
.....	Fig. 12.4
.....	Fig. 12.5
.....	Fig. 20.1
.....	Fig. 20.2
.....	Fig. 20.3
EOT Sensor	Fig. 03.1
.....	Fig. 03.3
EVAP Canister Close Valve	Fig. 03.1
EVAP Canister Purge Valve	Fig. 03.1
.....	Fig. 03.3
Evaporator Temperature Sensor	Fig. 06.1
.....	Fig. 06.2
F	
Fog Lamps – Front	Fig. 08.1
.....	Fig. 08.2
Fold Back Module	Fig. 10.1
Footwell Lamps	Fig. 09.1
Fresh / Recirculation Flap Actuator	Fig. 06.1
.....	Fig. 06.2
FTP Sensor	Fig. 03.1
Fuel Injectors	
2.0 L, 2.5 L, 3.0 L	Fig. 03.2
.....	Fig. 03.4
Diesel	Fig. 03.5
Fuel Level Sensors	
2.0 L, Diesel	Fig. 07.1
2.5 L, 3.0 L (NAS)	Fig. 07.1
2.5 L, 3.0 L (ROW)	Fig. 07.1
Fuel Metering Valve	Fig. 03.5
Fuel Pump	
2.0 L	Fig. 03.4
2.5 L, 3.0 L	Fig. 03.2
Fuel Pump Module	Fig. 03.2
Fuel Pump Relay	Fig. 03.4
Fuel-Fired Auxiliary Heater Module	Fig. 03.6
.....	Fig. 20.3
Full Range Speakers – Rear	Fig. 15.1

K

Knee Bolster Igniter – Driver	Fig. 17.2
Knock Sensor	
2.0 L, 2.5 L, 3.0 L	Fig. 03.1
.....	Fig. 03.3
Diesel	Fig. 03.5

L

License Plate Lamps	
Estate (Wagon)	Fig. 08.4
.....	Fig. 08.8
.....	Fig. 08.9
Sedan	Fig. 08.3
.....	Fig. 08.5
.....	Fig. 08.6
.....	Fig. 08.7
Lumbar Switch Packs	Fig. 11.3
.....	Fig. 11.4

M

MAF Sensor	
2.0 L, 2.5 L, 3.0 L	Fig. 03.1
.....	Fig. 03.3
Diesel	Fig. 03.5
Main Beam / Front Fog Relay	Fig. 08.1
.....	Fig. 08.2
MAP Sensor	Fig. 03.1
.....	Fig. 03.3
Master Lighting Switch	Fig. 07.1
.....	Fig. 08.1
.....	Fig. 08.2
.....	Fig. 08.3
.....	Fig. 08.4
.....	Fig. 08.10
.....	Fig. 09.2
Mid Bass Speakers	
Front	Fig. 15.1
.....	Fig. 15.2
Rear	Fig. 15.2

N

Navigation Control Module	Fig. 16.1
.....	Fig. 16.2
.....	Fig. 16.4
.....	Fig. 16.5
.....	Fig. 20.3
.....	Fig. 20.4
Navigation GPS Antennas	Fig. 16.4
.....	Fig. 16.5

O

Oil Pressure Switches	
2.0 L, 2.5 L, 3.0 L	Fig. 07.1
Diesel	Fig. 07.1

P

Panel / Floor Actuator	Fig. 06.1
.....	Fig. 06.2
Parking Aid Module	Fig. 18.1
.....	Fig. 20.3
Parking Aid Sensors	Fig. 18.1
Parking Aid Sounders	Fig. 18.1
Parking Brake Switch	Fig. 07.1
Passenger Airbag Deactivated Indicator Lamp	Fig. 17.1
.....	Fig. 17.2

Passenger Junction Fusebox	Fig. 01.1
.....	Fig. 01.3
.....	Fig. 01.4
.....	Fig. 01.6
.....	Fig. 01.7
.....	Fig. 01.8
.....	Fig. 03.1
.....	Fig. 03.4
.....	Fig. 06.1
.....	Fig. 06.2
.....	Fig. 06.3
.....	Fig. 08.1
.....	Fig. 08.2
.....	Fig. 08.3
.....	Fig. 08.4
.....	Fig. 10.1
.....	Fig. 13.1
.....	Fig. 13.2
.....	Fig. 13.3
Passenger Junction Fusebox Ignition Relay	Fig. 01.6
Passenger Seat Belt Tension Sensor	Fig. 17.2
Passenger Seat Weight Pressure Sensor	Fig. 17.1
.....	Fig. 17.2
Passenger Seat Weight Sensing Module	Fig. 17.1
.....	Fig. 17.2
Passive Anti-Theft System Transceiver	Fig. 02.1
.....	Fig. 02.2
.....	Fig. 02.3
.....	Fig. 12.4
.....	Fig. 12.5
Power Amplifier	Fig. 15.2
.....	Fig. 20.4
Power Distribution Fusebox	Fig. 01.1
.....	Fig. 01.2
.....	Fig. 01.5
.....	Fig. 01.8
.....	Fig. 01.9
.....	Fig. 02.1
.....	Fig. 02.2
.....	Fig. 02.3
.....	Fig. 03.2
.....	Fig. 03.4
.....	Fig. 03.5
.....	Fig. 03.6
.....	Fig. 06.3
.....	Fig. 08.1
.....	Fig. 08.2
.....	Fig. 08.10
.....	Fig. 13.1
.....	Fig. 13.2
.....	Fig. 19.1
Power Distribution Fusebox Ignition Relay	Fig. 01.5
Powerwash Pump	Fig. 13.1
.....	Fig. 13.2
Powerwash Pump Relay	Fig. 13.1
.....	Fig. 13.2

R

Rain Sensing Module	Fig. 13.2
Rain Sensor	Fig. 13.2
Restraints Control Module	
All Wheel Drive Vehicles	Fig. 07.1
.....	Fig. 07.2
.....	Fig. 17.2
.....	Fig. 20.3
Front Wheel Drive Vehicles	Fig. 07.1
.....	Fig. 07.2
.....	Fig. 17.1
.....	Fig. 20.3

Reverse Lamps Relay	Fig. 08.3	Seat Module	
.	Fig. 08.4	Driver	Fig. 06.3
Reverse Lamps Switch		Fig. 10.2
2.0 L, 2.5 L, 3.0 L	Fig. 08.3	Fig. 11.1
.	Fig. 08.4	Fig. 11.6
Diesel	Fig. 08.3	Fig. 20.1
.	Fig. 08.4	Fig. 20.2
RF Module	Fig. 08.1	Passenger	Fig. 11.2
.	Fig. 08.2	Fig. 11.6
.	Fig. 09.1	Seat Motor	
.	Fig. 12.1	LH	Fig. 11.5
.	Fig. 12.2	RH	Fig. 11.5
.	Fig. 12.3	Seat Motors and Position Sensors – Driver	Fig. 11.1
.	Fig. 12.4	Seat Motors – Passenger	Fig. 11.2
.	Fig. 12.5	Seat Movement Motors	
.	Fig. 14.1	LH	Fig. 11.3
.	Fig. 14.2	Fig. 11.4
Roof Console		RH	Fig. 11.3
Printed Circuit Board	Fig. 09.1	Fig. 11.4
.	Fig. 09.2	Seat Position Switch	
.	Fig. 12.4	Driver	Fig. 17.1
.	Fig. 12.5	Fig. 17.2
.	Fig. 14.2	Passenger	Fig. 17.2
.	Fig. 16.1	Seat Switch Packs	Fig. 11.3
.	Fig. 16.2	Fig. 11.4
.	Fig. 16.3	Fig. 11.5
.	Fig. 16.5	Security Indicator	Fig. 12.4
.	Fig. 18.1	Fig. 12.5
.	Fig. 19.1	Security Sounders	Fig. 12.4
.	Fig. 20.3	Fig. 12.5
Without Printed Circuit Board	Fig. 09.1	Side Airbag Igniters	Fig. 17.1
.	Fig. 12.4	Fig. 17.2
.	Fig. 12.5	Side Impact Sensors	Fig. 17.1
.	Fig. 14.2	Fig. 17.2
.	Fig. 16.1	Side Marker Lamps	
.	Fig. 16.2	Front	Fig. 08.1
.	Fig. 16.3	Fig. 08.2
.	Fig. 16.5	Rear	Fig. 08.3
.	Fig. 20.3	Fig. 08.7
S		Slave Ignition Relay	Fig. 01.5
Seat Back Heaters	Fig. 11.6	Sliding Roof Module	Fig. 14.2
.	Fig. 11.7	Solid State Relay	Fig. 03.6
Seat Belt Buckle Pretensioner Igniters	Fig. 17.1	Speed Control Module	Fig. 03.4
.	Fig. 17.2	Speed Control Switches	Fig. 03.2
Seat Belt Reel Pretensioner Igniters	Fig. 17.2	Fig. 03.4
Seat Belt Switches	Fig. 17.1	Fig. 03.6
.	Fig. 17.2	Starter Motor	
Seat Cushion Heaters	Fig. 11.6	2.0 L, 2.5 L, 3.0 L	Fig. 02.1
.	Fig. 11.7	Fig. 02.2
Seat Heater Modules	Fig. 11.7	Diesel	Fig. 02.3
Seat Heater Switches	Fig. 09.2	Starter Relay	Fig. 02.1
.	Fig. 11.6	Fig. 02.2
.	Fig. 11.7	Fig. 02.3
Seat Lumbar Pump		Steering Angle Sensor	Fig. 05.3
Driver	Fig. 11.1	Fig. 20.1
LH	Fig. 11.3	Fig. 20.2
.	Fig. 11.4	Steering Wheel	Fig. 09.2
Passenger	Fig. 11.2	Fig. 16.2
RH	Fig. 11.3	Fig. 16.3
.	Fig. 11.4	Fig. 19.1
		Sub Woofer	
		Estate (Wagon)	Fig. 15.2
		Sedan	Fig. 15.2

T

Tail Gate Latch	Fig. 09.1
.....	Fig. 12.3
.....	Fig. 12.5
Tail Gate Release Switch	Fig. 12.3
Tail Glass Latch	Fig. 09.1
.....	Fig. 12.3
.....	Fig. 12.5
Tail Glass Release Switch	Fig. 12.3
Tail Lamp Units	Fig. 08.3
.....	Fig. 08.4
.....	Fig. 08.5
.....	Fig. 08.6
.....	Fig. 08.7
.....	Fig. 08.8
.....	Fig. 08.9
Telematics Display	Fig. 09.2
.....	Fig. 16.1
.....	Fig. 16.2
.....	Fig. 16.4
.....	Fig. 16.5
Telephone Antenna	
Estate (Wagon): AM / FM	Fig. 16.1
.....	Fig. 16.2
Sedan: Bumper	Fig. 16.1
.....	Fig. 16.2
Throttle Body	
2.5 L, 3.0 L	Fig. 03.1
Throttle Motor	Fig. 03.1
Throttle Motor Relay	Fig. 03.1
T-MAP Sensor	Fig. 03.5
TP Sensor	
2.0 L	Fig. 03.3
Traction Control Switch	Fig. 05.2
.....	Fig. 09.2
Trailer Towing Connector	Fig. 08.5
.....	Fig. 08.6
.....	Fig. 08.7
.....	Fig. 08.8
.....	Fig. 08.9
Trailer Towing Module	Fig. 08.5
.....	Fig. 08.6
.....	Fig. 08.7
.....	Fig. 08.8
.....	Fig. 08.9
Transit Isolation Relay	Fig. 01.1
Transmission Control Module	
16-Bit	Fig. 04.1
.....	Fig. 20.1
.....	Fig. 20.2
32-Bit	Fig. 04.2
.....	Fig. 20.1
.....	Fig. 20.2
Transmission Range Sensor	Fig. 02.1
.....	Fig. 02.2
.....	Fig. 04.1
.....	Fig. 04.2
Trunk Lamps	Fig. 09.1
Trunk Lock Motor	Fig. 09.1
.....	Fig. 12.1
.....	Fig. 12.2
.....	Fig. 12.4
Trunk Release Switch	Fig. 12.1
.....	Fig. 12.2
Turn Signal Repeaters – Front	Fig. 08.1
.....	Fig. 08.2

Turn Signal Switch	Fig. 07.1
.....	Fig. 08.1
.....	Fig. 08.2
.....	Fig. 08.3
.....	Fig. 08.4
TV Antennas and Amplifiers	Fig. 16.4
.....	Fig. 16.5
Tweeter Speakers	
Front	Fig. 15.1
.....	Fig. 15.2
Rear	Fig. 15.2

V

Vacuum Module	Fig. 05.1
.....	Fig. 05.2
.....	Fig. 05.3
Vacuum Pump	Fig. 05.1
.....	Fig. 05.2
.....	Fig. 05.3
Vanity Mirror Lamps	Fig. 09.1
Vehicle Information Antenna and Amplifier	Fig. 16.5
Vehicle Information Control Module	Fig. 16.5
Vehicle Information Sensor	Fig. 16.5
Voice Activation Module	Fig. 16.2
.....	Fig. 16.3
.....	Fig. 20.4
VVT Solenoid Valves	Fig. 03.1
.....	Fig. 03.3

W

Washer Fluid Level Switch	Fig. 07.1
Wheel Speed Sensors	Fig. 05.1
.....	Fig. 05.2
.....	Fig. 05.3
Window Motors	Fig. 14.1
Windshield Heater Relay	Fig. 06.3
Windshield Heaters	Fig. 06.3
Windshield Washer Pump	Fig. 13.1
.....	Fig. 13.2
.....	Fig. 13.3
Windshield Wiper Motor Relay	Fig. 13.1
.....	Fig. 13.2
Wiper Motor	
Front	Fig. 13.1
.....	Fig. 13.2
Rear	Fig. 13.3
Wiper Motor Relay – Rear	Fig. 13.3
Wiper Switch Assembly	Fig. 13.1
.....	Fig. 13.2
.....	Fig. 13.3

Y

Yaw Rate Sensor	Fig. 05.3
.....	Fig. 20.1
.....	Fig. 20.2

