

**Poor Idle/Check Engine MIL – V6 Engines –
Improved Breather Elbow –
Service Action S158**

MODEL 2000-01 MY
S-TYPE 3.0L
VIN L00001-L86901

Issue:

S-TYPE 3.0 liter V6 vehicles, within the above VIN range, are equipped with a 3/8-inch bore 90° rubber elbow as part of the engine breather system. This elbow is manufactured from a type of rubber that is subject to degradation from the gas and vapor that pass through it, resulting, after a period of time, in air being allowed to enter the intake system of the engine.

Vehicles within the above VIN range may exhibit poor idle and a 'check engine' MIL may be displayed on the instrument cluster.

Action:

On 2000-01 S-TYPE 3.0L vehicles within the above VIN range, install a revised breather elbow, at the next available opportunity, as described below.

WORKSHOP PROCEDURE

1. Open hood and fit vehicle protection.
2. Working at the rear of the engine:
3. Remove the engine breather pipe elbow. (Illustration 1)

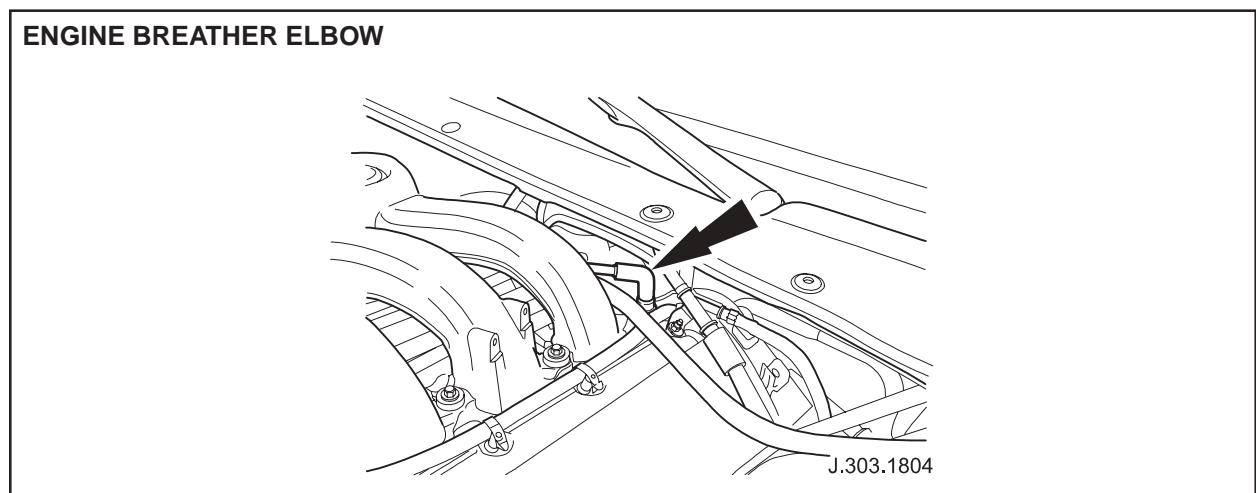


ILLUSTRATION 1

4. Install the replacement elbow.
5. Remove vehicle protection, close hood.

APPLY AUTHORIZED MODIFICATION LABEL

Enter your dealer number and the date on the Authorized Modification Label (Illustration 2). Apply the label to **the left B-post below the striker**. Then apply the clear sheet over the label.

AUTHORIZED MODIFICATION LABEL

JAGUAR **AUTHORIZED MODIFICATIONS**

THE FOLLOWING MODIFICATIONS HAVE BEEN MADE:

WRITE IN DEALER NUMBER

WRITE IN DATE

THESE MODIFICATIONS HAVE BEEN APPROVED, AS APPROPRIATE.

DEALER NUMBER: [] DATE: []

CHANGE AUTHORITY: JAGUAR PLC CAMPAIGN

PRINTED IN U.S.A.

ILLUSTRATION 2

Parts Information:

<u>DESCRIPTION</u>	<u>PART NUMBER</u>	<u>QTY</u>
Engine Breather Elbow	XR8 39224	1

To obtain Authorized Modification Labels from the Product Legislation and Compliance Department, refer to Administration Bulletin 6-94 (USA) or 6-16/02 (Canada) titled "Availability of Service Action and Recall Authorized Modification Labels/stickers."

Warranty Information:

Warranty claims should be submitted quoting program code S158 together with the relevant option code from the table below.

This will result in payment of the stated time and, where applicable, the relevant parts/miscellaneous expense codes.

The options that allow for drive in/drive out can only be claimed when the vehicle has been brought into the workshop for this action alone to be undertaken.

The SROs and parts listed above have been included for information only. There will be no requirement to enter the parts or SROs onto the claim.

Service Action S158

2000 MY 3.0L VIN Range YFL00001 - YFL77677

2001 MY 3.0L VIN Range 1FL77678 - 1FL86901

Program Code	Option	Description	SRO	Time	Part Number	Part Description	Qty
S158	B	Replace engine breather elbow	17.10.22	0.2	XR8 39224	Engine breather elbow	1
S158	C	Replace engine breather elbow	17.10.22	0.2	XR8 39224	Engine breather elbow	1
		Drive in/drive out	10.10.10	0.1			

NOTE: Always perform a DDW claim search first to determine whether this service action has been performed on this vehicle. The warranty selection under the vehicle inquiry will give a listing of all claims against the vehicle. If this service action number appears in the program code field, do not perform this service action.