



**S-TYPE**

DATE 03/02

S501-12

**SERVICE**

**TECHNICAL BULLETIN**

Luggage Compartment Lid –  
Difficulty Opening –  
Repair Procedures

MODEL 2000 MY-ON  
S-TYPE  
VIN L00001-ON

**Issue:**

On some 2000 MY-ON S-TYPE vehicles, customers may experience difficulty in opening the luggage compartment lid when using the remote control, dash-mounted release button, or the manual release mechanism.

The following conditions may affect the operation of the luggage compartment lid:

**Condition**

- Luggage compartment latch setting
- Luggage compartment hinge spring position
- Luggage compartment lid aperture seal surface condition
- Luggage compartment lid hinge mounting points stiff

**VIN**

- L00001-ON
- Up to L70000
- Up to L42700
- Up to M06788

The interior and exterior luggage compartment release switches will not operate if any of the following conditions apply:

- Valet mode is switched on.
- The security system is armed.
- If the park brake is OFF or the selector is not in 'Park' or 'Neutral'.
- Vehicle speed is greater than 2 mph (5 km/h).
- Vehicle is locked.
- Removal of the ignition key while the car is in motion.

**Action:**

In case of a customer complaint, follow the appropriate workshop procedures outlined below.

LUGGAGE COMPARTMENT LATCH ADJUSTMENT

L00001-ON

Before beginning with the workshop procedure, make sure the latch and striker are aligned so that the latch does not interfere with the striker during opening or closure of the luggage compartment lid. Only if the latch is found to be interfering with the striker pin should any adjustment be performed. The latch should operate by either slam or push shutting of the luggage compartment lid. Ensure the luggage compartment lid inner face is in full contact with the luggage compartment opening rubber seal.



1. Open luggage compartment lid.
2. Remove luggage compartment lid trim pad.
3. Loosen luggage compartment latch securing bolts to allow adjustment of luggage compartment latch (Illustration 1).

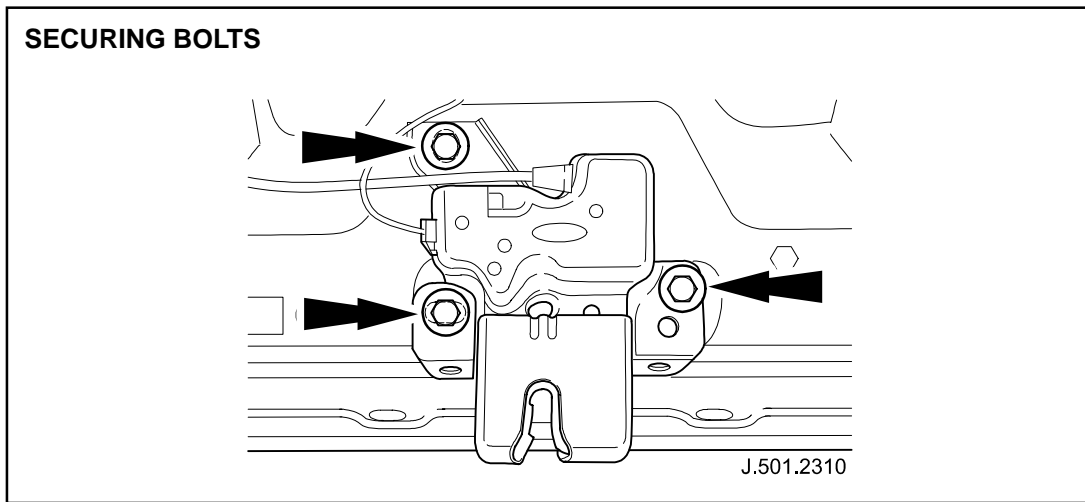


ILLUSTRATION 1

4. Adjust latch as required to alleviate interference condition on striker.
5. Tighten luggage compartment latch securing bolts.
6. Install luggage compartment lid trim pad.
7. Close luggage compartment lid.

**LUGGAGE COMPARTMENT HINGE SPRING POSITIONING:**

Up to VIN L70000:

1. Open luggage compartment lid.
2. Remove trunk interior trim finishers.
3. Remove both side luggage compartment sideliners.
4. Support luggage compartment lid with suitable prop to keep it open.

## HINGE SPRING REPOSITIONING

LONG BOLT AS TOOL

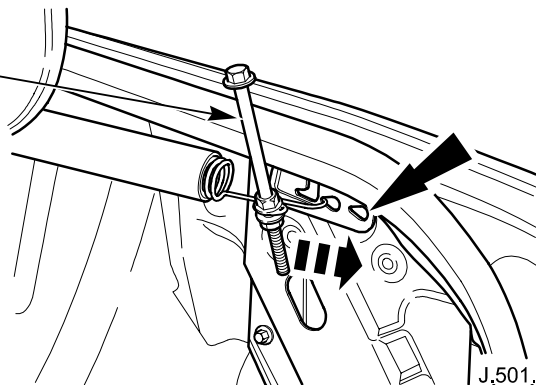


ILLUSTRATION 2

5. Reposition rear hooks of luggage compartment lid return springs to their rearmost body location holes (Illustration 2).

**Note:** A suitable long bolt fitted through the spring loops will aid previous operation. Tighten a nut on each side of the spring loop to prevent slippage in use.

6. Remove prop.
7. Install luggage compartment sideliners.
8. Install both rear lamp assembly interior trim finishers.
9. Close luggage compartment lid.

## LUGGAGE COMPARTMENT LID APERTURE SEAL SURFACE CONDITION

Up to VIN L42700:

If the luggage compartment lid aperture seal surface shows signs of deterioration then it should be replaced following the information below:

When removing or replacing the luggage compartment opening flange seal the following applies:

- The flange must be thoroughly cleaned using an alcohol base spirit wipe.
- A bead of Terolan 128.60D, or 3M Urethane Seam Sealer, or equivalent sealant should be injected into the root of the luggage compartment flange seal 'U' gripper.

**⚠ Caution:** If the above two points are not performed, water ingress can occur.

1. Open luggage compartment lid.

2. Apply Dupont Krytox or 3M 08878 Spray Lube to the contact surface of luggage compartment lid opening seal (Illustration 3).

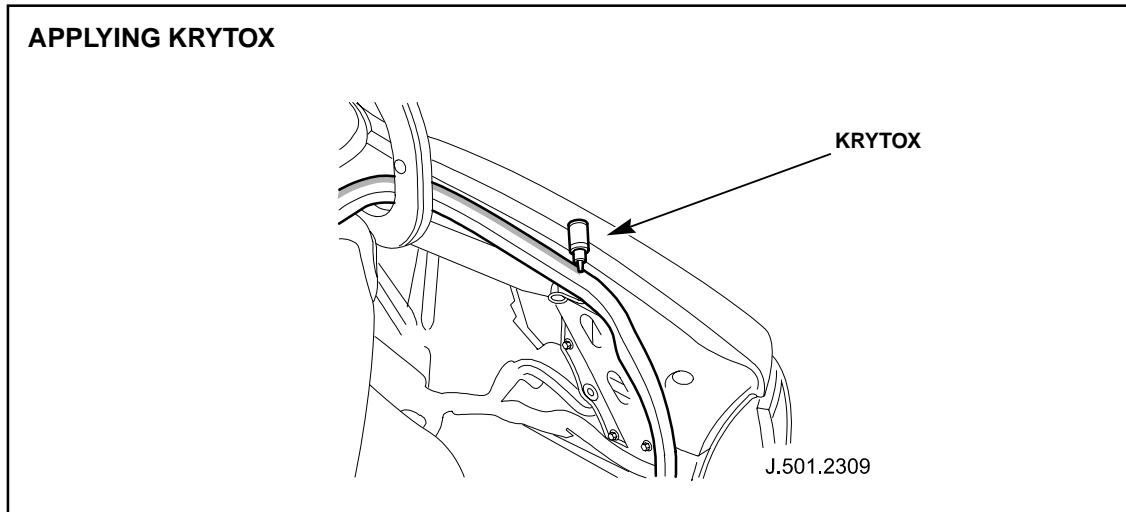


ILLUSTRATION 3

3. Close luggage compartment lid.

### LUGGAGE COMPARTMENT LID HINGE MOUNTINGS STIFF

Up to VIN M06788:

1. Open rear doors.
2. Remove rear quarter trim panels.
3. Remove rear parcel tray.
4. One at a time, loosen and re-torque luggage compartment lid hinge to body securing bolts (Torque to 3.2–4.0 Nm) (Illustration 4).

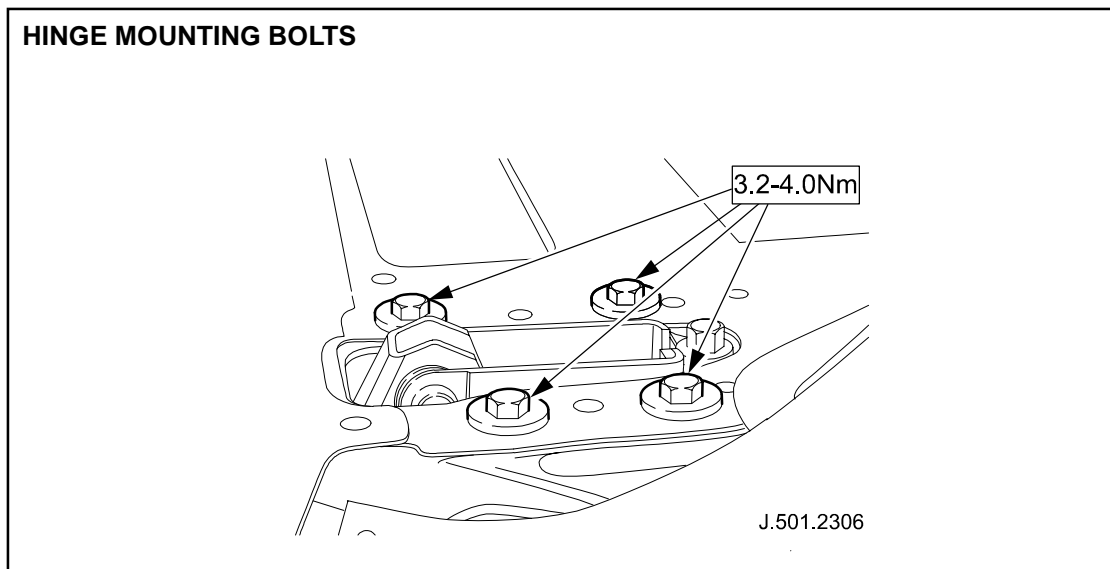


ILLUSTRATION 4

5. Apply suitable spray-on grease to luggage compartment hinge pivots.
6. Install rear parcel tray.
7. Install rear quarter trim panels.
8. Close doors.

**Parts Information:**

There are no parts required for this Technical Bulletin. Refer to Technical Bulletin S910-02 for information on Squeaks and Rattles Service Kits.

**Warranty Information:**

CURRENT SYSTEM

<b>FAULT CODE</b>	<b>R.O. NUMBER</b>	<b>DESCRIPTION</b>	<b>TIME ALLOWANCE</b>
WV BB 07	76.94.10	Luggage compartment latch adjustment	0.2 hrs.
WV BB 07	76.94.10/01	Luggage compartment latch and hinge adjustment	1.1 hrs.
WV JB 01	76.94.10/02	Luggage compartment latch adjustment and spray Krytox on seal	0.3 hrs.
WV DF 07	76.94.10/03	Luggage compartment latch and hinge adjustment and spray Krytox on seal	1.1 hrs.
WV DF 07	76.94.10/04	Luggage compartment latch and spring adjustment and spray Krytox on seal	0.6 hrs.
WV DF 07	76.94.10/05	Luggage compartment latch, spring and hinge adjustment and spray Krytox on seal	1.5 hrs.

GLOBAL ACES

Description	Option	SRO	Labor Time Allowance	Warranty Code
Luggage compartment latch adjustment	A	76.94.10	0.2 Hours	WV BB 07
Luggage compartment latch and hinge adjustment	B	76.94.10/01	1.1 Hours	WV BB 07
Luggage compartment latch adjustment and spray Krytox on seal	C	76.94.10/02	0.3 Hours	WV JB 01
Luggage compartment latch and hinge adjustment and spray Krytox on seal	D	76.94.10/03	1.1 Hours	WV DF 07
Luggage compartment latch and spring adjustment and spray Krytox on seal	E	76.94.10/04	0.6 Hours	WV DF 07
Luggage compartment latch, spring and hinge adjustment and spray Krytox on seal	F	76.94.10/05	1.5 Hours	WV DF 07