

**Vehicle Out Of Fuel –
Range Indicated On Message Center –
Modify Transfer Pipe**

MODEL 2002 MY
X-TYPE
VIN C00001-C39700

Issue:

Some 2002 X-TYPE vehicles within the above VIN range, may experience a customer complaint of running out of fuel while the message center still indicates range available.

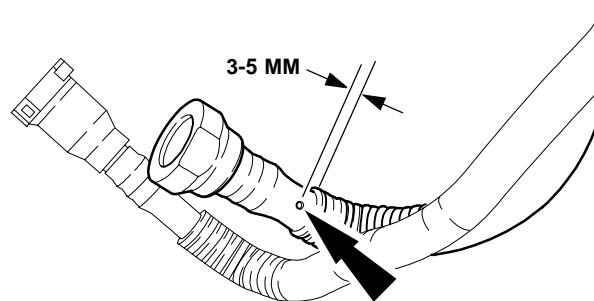
Action

To eliminate this concern, remove the fuel transfer pump module and modify the fuel return transfer pipe. On a customer complaint basis only, follow the workshop procedure outlined below.

WORKSHOP PROCEDURE

1. Remove the fuel transfer pump assembly (see Workshop Manual, JTIS CD ROM section: 310-01, SRO 19.45.06).
2. For access, reposition the return transfer pipe away from the fuel tank opening (return transfer pipe has a yellow release latch).
3. Using a 2 mm drill bit, by hand, drill a hole 3 mm to 5 mm from the shoulder (convoluted pipe side) in the return transfer pipe and remove any swarf (Illustration 1).

DRILL HOLE 3-5 MM FROM SHOULDER



J.310.0138

ILLUSTRATION 1

4. Install a new transfer pump O-ring seal.

Note: When installing new transfer pump O-ring seal, apply a smear of petroleum jelly to locking nut flange mating face.

5. Install fuel transfer pump assembly (see Workshop Manual, JTIS CD ROM section: 310-01, SRO 19.45.06).

Parts Information:

<u>DESCRIPTION</u>	<u>PART NUMBER</u>	<u>QTY</u>
Fuel transfer pump O-ring seal	C2S 8592	1

Warranty Information:

<u>FAULT CODE</u>	<u>R.O. NUMBER</u>	<u>DESCRIPTION</u>	<u>TIME ALLOWANCE</u>
CJ HB 42	19.91.57	Fuel tank transfer pipe modification	4.3 hrs.