



X-TYPE

DATE 04/02
Amended 10/03

XT501-04

SERVICE

TECHNICAL BULLETIN

Difficulty Closing Luggage Compartment Lid –
Revised Latch Mechanism –
Modification Procedure

MODEL 2002 MY
X-TYPE
VIN C00344-C64502

Remove and destroy Bulletin XT501-04, amended 05/02.
Replace with this Bulletin.
Revisions are marked with a bar and in bold text.

Issue:

Some owners of 2002 MY X-TYPE vehicles within the above VIN ranges may complain about difficulty closing the luggage compartment lid latch and/or about the feel quality of the latch mechanism. A revised trunk lid latch is now available that can be retrofitted.

Action:

In case of a customer complaint of the above condition on a 2002 MY X-TYPE within the above VIN range, perform the following modification procedure.

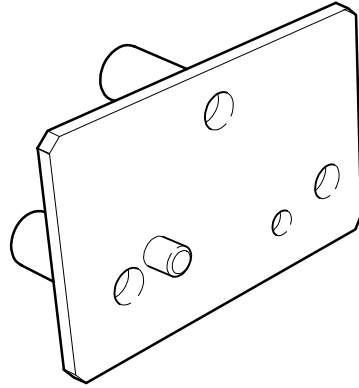
LUGGAGE COMPARTMENT LATCH MODIFICATION

1. Open hood and fit fender protector covers.
2. Open luggage compartment.
3. Disconnect vehicle battery (Refer to Battery Disconnect procedure, JTIS CD ROM section: 414-01).

⚠ Warning: After the battery has been disconnected, wait for one minute for the air bag system to disarm.

4. Remove luggage compartment lid pull-down handle securing screws.
5. Remove and discard luggage compartment pull-down handle.
6. Remove luggage compartment interior release handle and place aside.
7. Remove luggage compartment latch trim finisher.
8. Remove luggage compartment lid lock.

SPECIAL TOOL 501-094



J.501.2317

ILLUSTRATION 1

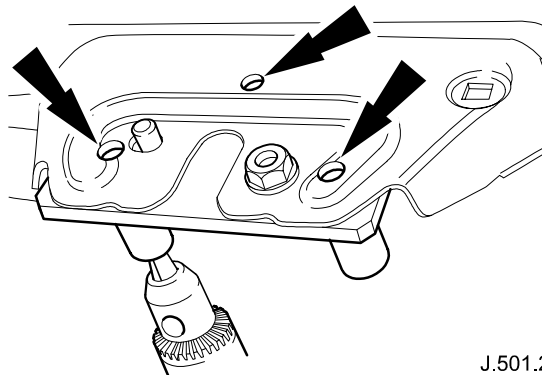
Note: Jig supplied by Jaguar Cars - tool number 501-094 (Illustration 1).

9. Align jig 501-094 with luggage compartment latch mounting bracket.

Note: Pull jig fully down to align the lower edge of the tool with the lower edge of the latch mounting bracket.

10. Secure and fully tighten jig to luggage compartment latch mounting bracket using original latch securing bolt and suitable securing nut.

DRILLING ADDITIONAL HOLES



J.501.2319

ILLUSTRATION 2

11. Drill three new holes in the mounting bracket through the guides in the jig (Illustration 2).

Caution: Insert drill bit fully into the drill chuck to allow enough clearance between the tip of the drill bit and luggage compartment lid.

12. Remove securing nut/bolt from jig.
13. Remove jig and place aside.

14. De-burr drilled holes.
15. Protect bare metal around drilled holes using suitable zinc enriched paint.
16. Install new luggage compartment latch assembly and torque new securing bolts to 11 Nm.
17. Displace luggage compartment lid trim for access to new latch connector mounting position.
18. Secure latch mechanism electrical connector to luggage compartment lid (Illustration 3).

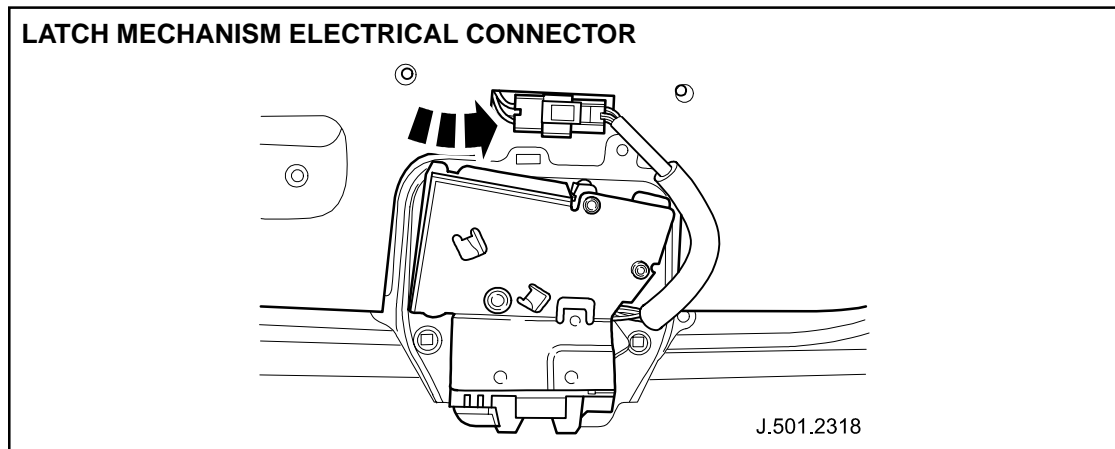


ILLUSTRATION 3

19. Secure latch mechanism electrical harness using tie strap part no. C2S 21317 (Illustration 4).

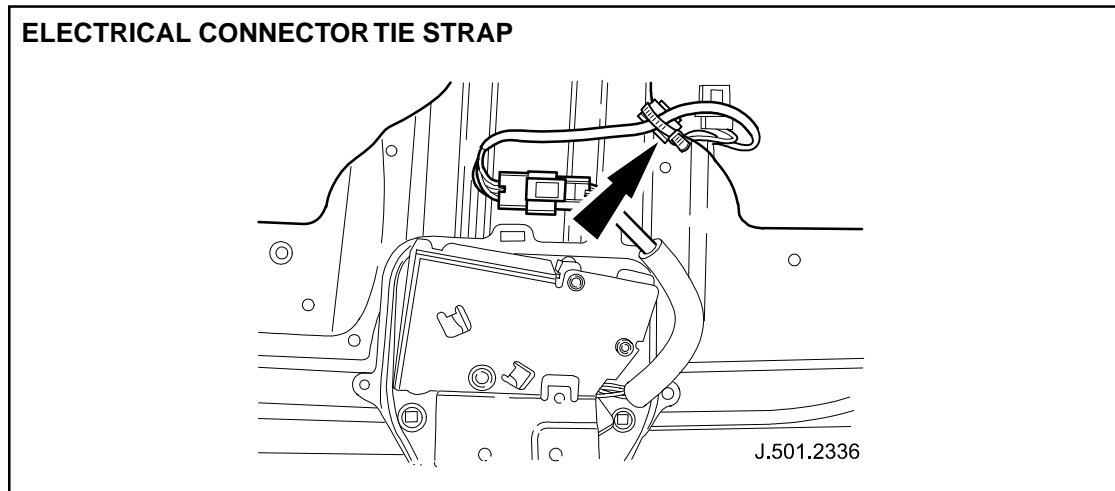


ILLUSTRATION 4

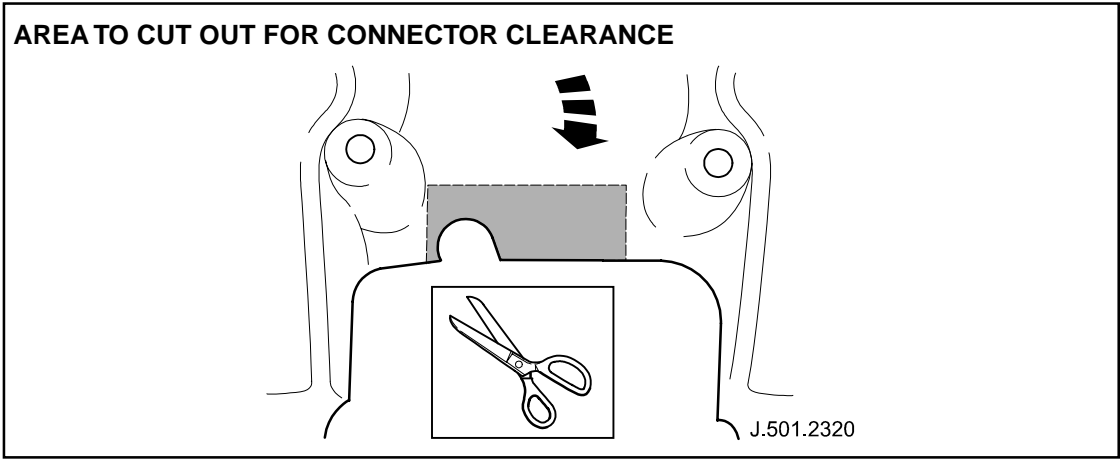


ILLUSTRATION 5

20. Using suitable scissors or craft knife, cut luggage compartment lid trim no higher than the mounting hole recesses (Illustration 5) to clear the electrical connector of the latch mechanism (Illustration 6).

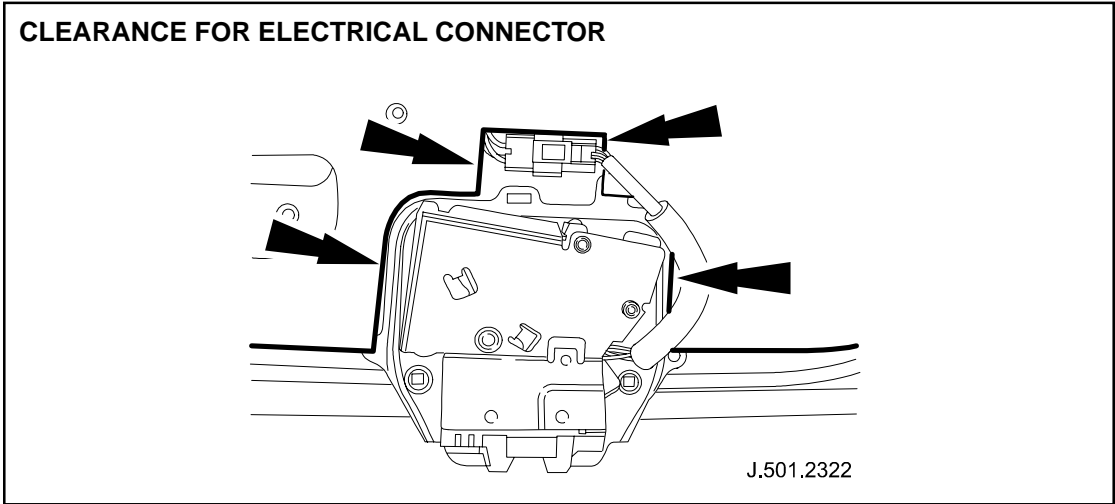


ILLUSTRATION 6

21. Reposition and fix luggage compartment lid trim to original position.
22. Install new luggage compartment latch trim finisher (Illustration 7).

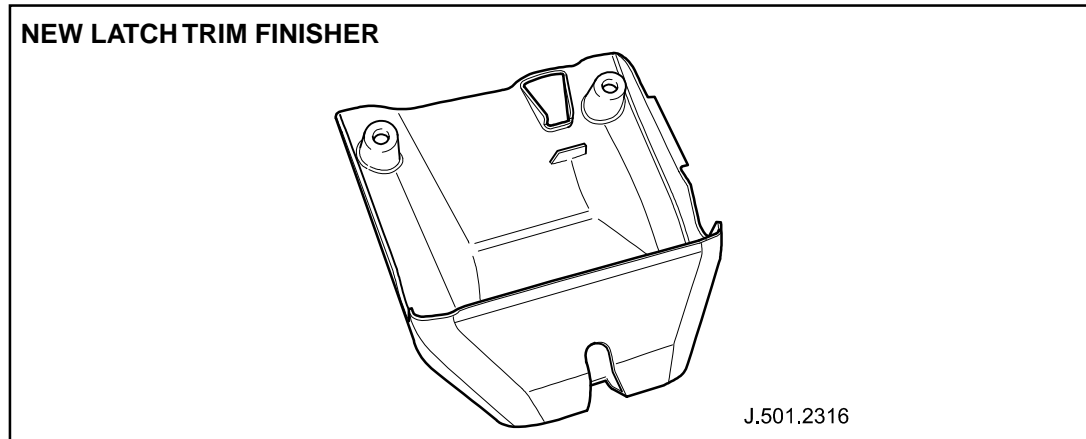


ILLUSTRATION 7

23. Reinstall luggage compartment lid interior release handle.
24. Install and align new luggage compartment pull-down handle.
25. Install and fully tighten luggage compartment pull-down handle securing bolts.
26. Reconnect vehicle battery (Refer to Battery Disconnect procedure, JTIS CD ROM section: 414-01).
27. Loosen rear luggage compartment carpet for access.
28. Remove screws from luggage compartment latch striker trim cover fixings.
29. Remove luggage compartment latch striker trim fixings.
30. Remove luggage compartment latch striker trim.
31. Remove luggage compartment lid lock striker.
32. Position new spacing washers between striker and vehicle body.
33. Install luggage compartment latch striker.
34. Adjust luggage compartment lid on striker.
35. Install boot latch striker trim.
36. Install luggage compartment latch striker trim fixings.
37. Install and tighten luggage compartment latch striker trim fixing screws.
38. Install luggage compartment carpet.
39. Close luggage compartment lid.
40. Remove fender protector covers and close hood.

Parts Information:

<u>DESCRIPTION</u>	<u>PART NUMBER</u>	<u>QTY</u>
Trunk latch kit	JLM 21700 K	1
Spacing washer	C2S 21083	2

Warranty Information:

Warranty claims should be submitted quoting the information found in the table below. This will result in payment of the stated time and, where applicable parts/miscellaneous expense codes as listed.

Description	SRO	Time	Causal Part Number
Retrofit luggage compartment latch	76.94.13	0.7 hrs.	C2S 17125