

Overheating –  
Thermostat Stuck Closed –  
Revised Thermostat Available

MODEL  
1997-2002 MY XK Range  
1998-2002 MY V8 XJ Series  
VIN  
001001-A30161  
812256-F55733

**Issue:**

Some V8 engines in XJ and XK vehicles within the above VIN ranges (prior to engine number 0203230140) may experience overheating due to the thermostat sticking in the closed position. A revised thermostat with a more robust wax bulb is now available.

**Action:**

On a customer complaint basis only, follow the workshop procedure outlined below.

WORKSHOP PROCEDURE

1. Open the hood and place protective covers over the fenders.
2. Raise the vehicle on a lift.
3. Place a suitable tray under the front of the vehicle to catch spillage.
4. Drain the coolant from the radiator.
5. On normally aspirated vehicles only, remove the engine covers.
6. On all vehicles, release and reposition hose clip from thermostat housing coolant pipe.
7. Disconnect and remove the coolant hose from the thermostat housing.
8. Remove thermostat cover bolts (normally aspirated engines, Illustration 1, supercharged engines, Illustration 2).

**THERMOSTAT HOUSING - NORMALLY ASPIRATED ENGINES**

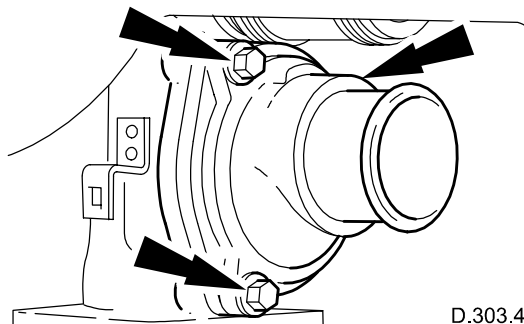


ILLUSTRATION 1

### THERMOSTAT HOUSING - SUPERCHARGED ENGINES

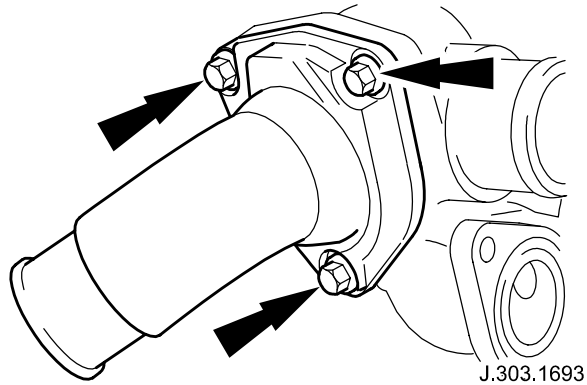


ILLUSTRATION 2

9. Remove thermostat cover from housing.
10. Remove thermostat and seal from housing (normally aspirated engines, Illustration 3, supercharged engines, Illustration 4).

### THERMOSTAT AND SEAL - NORMALLY ASPIRATED ENGINES

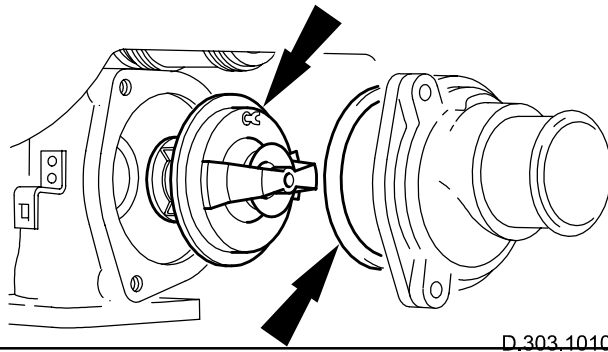


ILLUSTRATION 3

### THERMOSTAT AND SEAL - SUPERCHARGED ENGINES

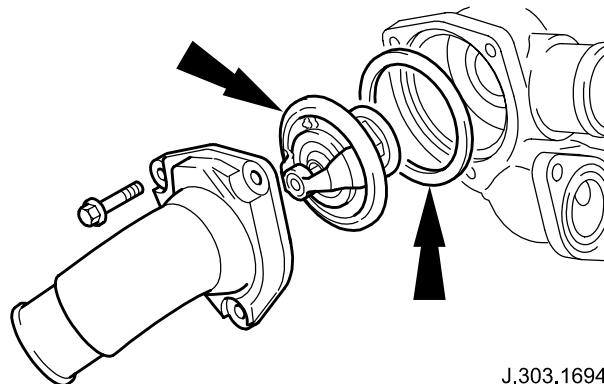


ILLUSTRATION 4

11. Install new thermostat and new seal in housing.
12. Tighten thermostat cover securing bolts to 8-10 Nm.
13. Connect coolant hose to thermostat housing.
14. Install hose clip on thermostat housing coolant pipe.
15. Install engine covers on normally aspirated vehicles only.
16. On all engines, clean spillage from front of engine.
17. Remove the tray from under the vehicle.
18. Refill the coolant system.
19. Remove the fender protector covers and close the hood.

**Parts Information:**

<u>DESCRIPTION</u>	<u>PART NUMBER</u>	<u>QTY</u>
Thermostat	AJ8 5874	1
Thermostat seal	NCA 2246BA	1

**Warranty Information:**

Warranty claims should be submitted quoting the information found in the table below. This will result in payment of the stated time and, where applicable parts/miscellaneous expense codes as listed.

<b>Description</b>	<b>SRO</b>	<b>Time</b>	<b>Causal Part Number</b>	<b>Causal Part Description</b>
Install thermostat - XJ series normally aspirated	26.45.07	0.7 hrs.	AJ8 5874	Thermostat
Install thermostat - XJ series supercharged	26.45.07	0.7 hrs.	AJ8 5874	Thermostat
Install thermostat - XK series	26.45.07	0.7 hrs.	AJ8 5874	Thermostat
Install thermostat - XKR	26.45.07	1.0 hrs.	AJ8 5874	Thermostat